



# **PARTS** EGO GEAR **CATALOGUE**



VRC1



MS1



VPBC5

## **LNP125 ( BES1 ) MALAYSIA**

LNP125  
PARTS CATALOGUE  
©2021 by Yamaha Motor Co., Ltd.  
1st edition, April 2021  
All rights reserved.  
Any reprinting or unauthorized use  
without the written permission of  
Yamaha Motor Co., Ltd.  
is expressly prohibited.  
Printed in Japan.

# FOREWORD

This Parts Catalogue is related to the parts for the model(s) on the cover page. When you are ordering replacement parts, please refer to this Parts Catalogue and quote both part numbers and part names correctly.

1. Modifications or additions which have been made after the issue of the Parts Catalogue will be announced in the Parts News.  
It is advisable that you make the necessary corrections to the Parts Catalogue according to the Parts News.
2. Abbreviations  
The following abbreviations are used in this Parts Catalogue.  
“UR” Use specified parts number.  
“UN” Use as many as needed.  
“AP” Alternate Parts  
“LM” Locally Made (Parts need to be ordered locally)  
“F#” Frame No. (Applicable machine No.)  
“O/S” Over Size
3. The number of components for assembly
  - Parts, which are to be supplied in an assembly, are listed with a dot (.) in front of the part name as shown below.
  - The numeral appearing to the right of each component part indicates the quantity of parts for each assembly unit.

PART NO.	DESCRIPTION	Q'TY	REMARKS
2F5-83310-60	FRONT FLASHER LIGHT ASSY	2	
115-83311-60	.BULB (6V-18W)	1	

4. Applicable colours of graphics are represented in the “REMARKS” as shown below.

PART NO.	DESCRIPTION	Q'TY	REMARKS
2N4-24110-00-X5	FUEL TANK COMP.	2	MXR
3J1-24240-10	.GRAPHIC, FUEL TANK	1	FOR MXR

5. Note that the illustrations for reference in finding parts numbers are not to be used for assembling. When assembling, please use the applicable service manual.

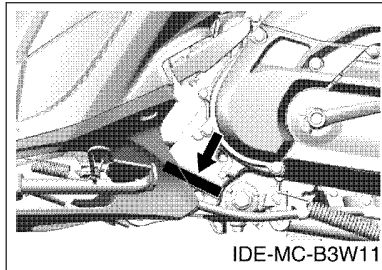
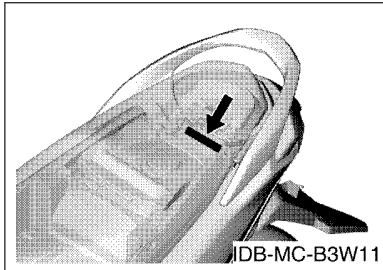
6. The asterisk (\*) before a reference number indicates modified items after the first edition.

# FOREWORD

## 7. Applicable Serial No.

Frame Serial No.

Engine Serial No.



## 8. Applicable Colour Code (The (\*) mark shows Model colour.)

Abbreviation	Colour Name	Colour Code
MS1(*)	MAT SILVER 1	1160
VPBC5(*)	VIVID PURPLISH BLUE COCKTAIL 5	1177
VRC1(*)	VIVID RED COCKTAIL 1	0121
YB	YAMAHA BLACK	0033

## 9. Applicable Starting Serial No.

Frame Serial No.

Serial No.	Name Of Q'ty Column	Model Code

Engine Serial No.

Serial No.	Name Of Q'ty Column	Model Code

# CONTENTS

## ENGINE

CYLINDER.....	1
CRANKSHAFT & PISTON.....	2
VALVE.....	3
CAMSHAFT & CHAIN.....	4
OIL PUMP.....	5
AIR SHROUD & FAN.....	6
INTAKE.....	7
EXHAUST.....	9
CRANKCASE.....	10
CRANKCASE COVER 1.....	12
STARTER.....	13
CLUTCH.....	14
TRANSMISSION.....	16

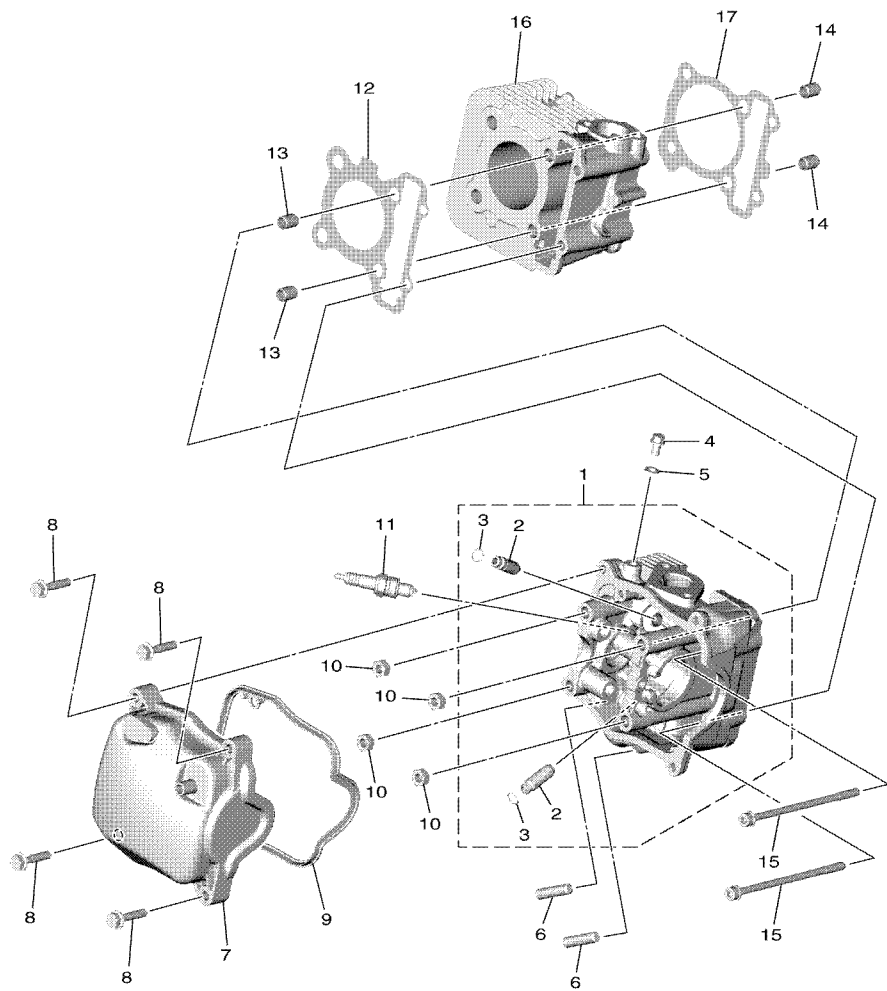
## CHASSIS

FRAME.....	17
FENDER.....	18
SIDE COVER.....	19
REAR SUSPENSION.....	21
STEERING.....	22
FUEL TANK.....	24
SEAT.....	25
FRONT WHEEL.....	26
FRONT BRAKE CALIPER.....	27
REAR WHEEL.....	28
STEERING HANDLE & CABLE.....	29
FRONT MASTER CYLINDER.....	31
STAND & FOOTREST.....	32
LEG SHIELD.....	34
GENERATOR.....	36
FLASHER LIGHT.....	37
METER.....	38
HEADLIGHT.....	39
TAILLIGHT.....	40
HANDLE SWITCH & LEVER.....	41
ELECTRICAL 1.....	42
ELECTRICAL 2.....	43

## INDEX

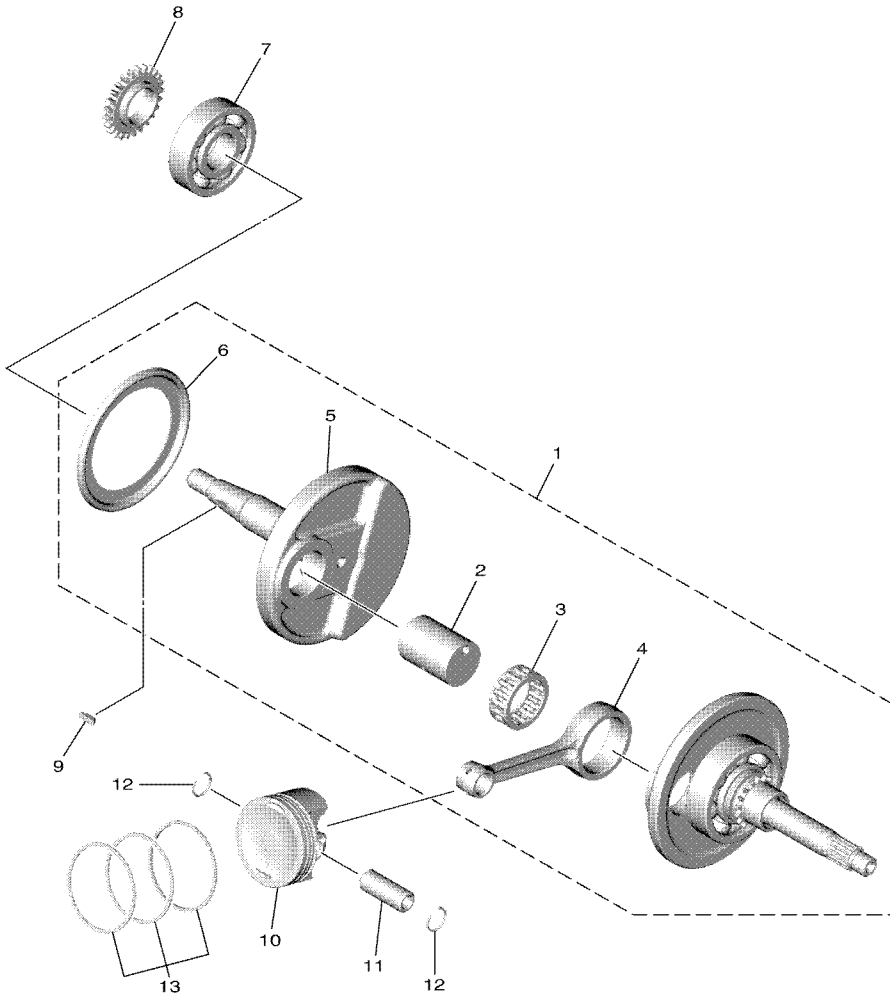
NUMERICAL INDEX.....	44
----------------------	----

**FIG. 1 CYLINDER**



B3W1460DW010

REF. NO.	PART NO.	DESCRIPTION	BES1				REMARKS
1	BES-E1102-00	CYLINDER HEAD ASSY	1				
2	1DR-E1133-10	.GUIDE, VALVE 1	2				
3	93440-10153	.CIRCLIP	2				
4	95E32-06010	BOLT, FLANGE DEEP RECESS	1				
5	90430-06803	GASKET	1				
6	95612-08618	BOLT, STUD	2				
7	B5D-E1191-01	COVER, CYLINDER HEAD 1	1				
8	95D32-06030	BOLT, FLANGE DEEP RECESS	4				
9	B5D-E1193-00	GASKET, HEAD COVER 1	1				
10	90170-08810	NUT	4				
11	94700-00372	PLUG, SPARK (NGK CR6HSA)	1				
12	2TS-E1181-00	GASKET, CYLINDER HEAD 1	1				
13	99530-10114	PIN, DOWEL	2				
14	99530-10114	PIN, DOWEL	2				
15	90110-06868	BOLT, HEXAGON SOCKET HEAD	2				
16	2PH-E1311-10	CYLINDER 1	1				
17	B5D-E1351-00	GASKET, CYLINDER	1				

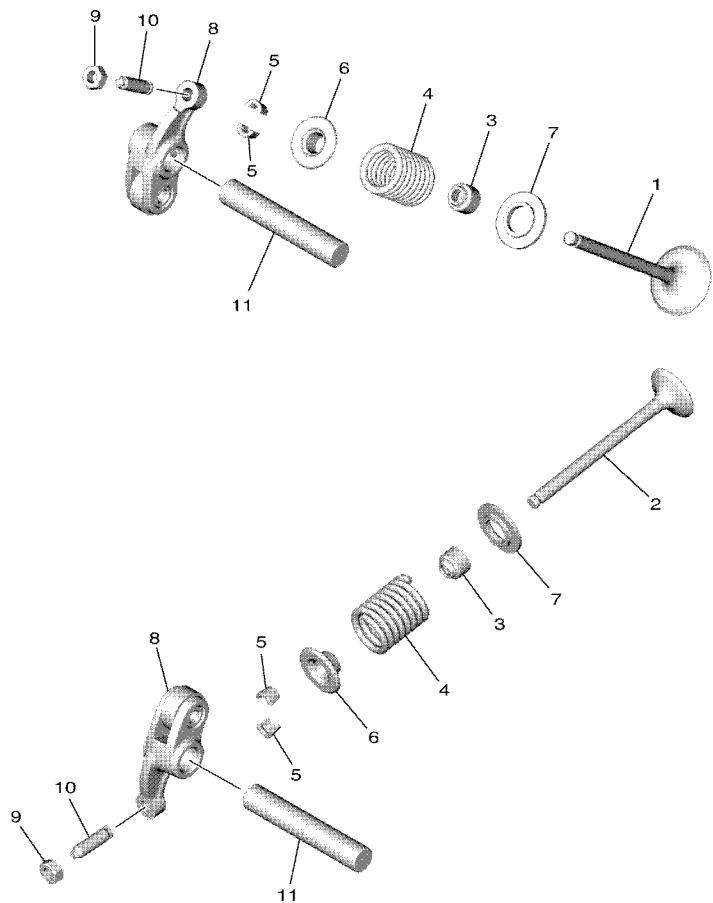


B3W1460DW020

**FIG. 2 CRANKSHAFT & PISTON**

REF. NO.	PART NO.	DESCRIPTION	BES1				REMARKS
1	BES-E1400-00	CRANKSHAFT ASSY	1				
2	2BM-E1681-10	.PIN, CRANK 1	1				
3	93310-528YP	.BEARING	1				
4	2PH-E1651-20	.ROD, CONNECTING	1				
5	B5D-E1422-00	.CRANK 2	1				
6	5LW-E3452-00	.COVER, ROTOR FILTER	1				
7	93306-372X7	BEARING	1				
8	B5D-E3324-00	GEAR, PUMP DRIVE	1				
9	90280-03017	KEY, WOODRUFF	1				
10	2PH-E1631-00	PISTON (STD)	1				
11	2PH-E1633-00	PIN, PISTON	1				
12	93450-14088	CIRCLIP	2				
13	2PH-E1603-10	PISTON RING SET (STD)	1				

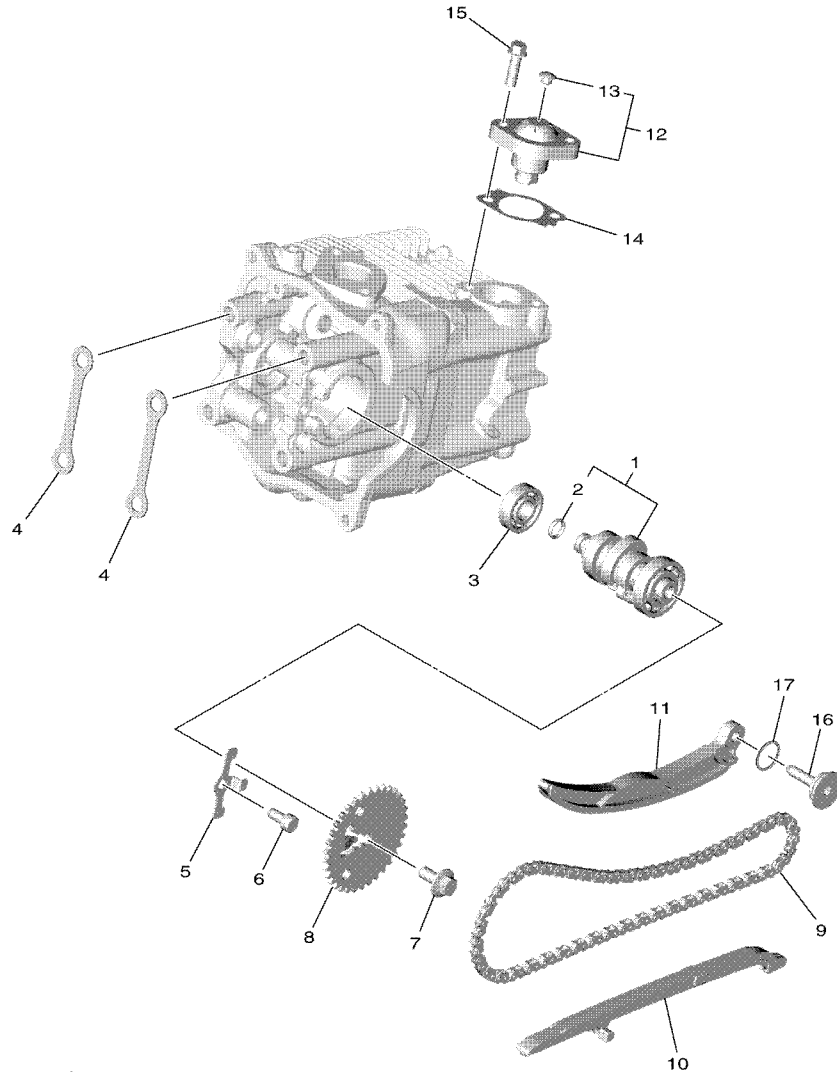
**FIG. 3 VALVE**



B3W1460DW030

REF. NO.	PART NO.	DESCRIPTION	BES1				REMARKS
1	2PH-E2111-00	VALVE, INTAKE	1				
2	B5D-E2121-00	VALVE, EXHAUST	1				
3	54P-E2119-00	SEAL, VALVE STEM	2				
4	B5D-E2113-10	SPRING, VALVE INNER	2				
5	5TL-E2118-00	LOCK, VALVE SPRING RETAINER	4				
6	2DP-E2117-00	RETAINER, VALVE SPRING	2				UR Either can use
	B63-E2117-01	RETAINER, VALVE SPRING	2				UR Either can use
7	50C-E2126-00	SEAT, VALVE SPRING 2	2				
8	2PH-E2151-01	ARM, VALVE ROCKER	2				
9	90170-05803	NUT	2				
10	33S-E2159-01	SCREW, VALVE ADJUSTING	2				
11	2PH-E2146-00	SHAFT, ROCKER	2				





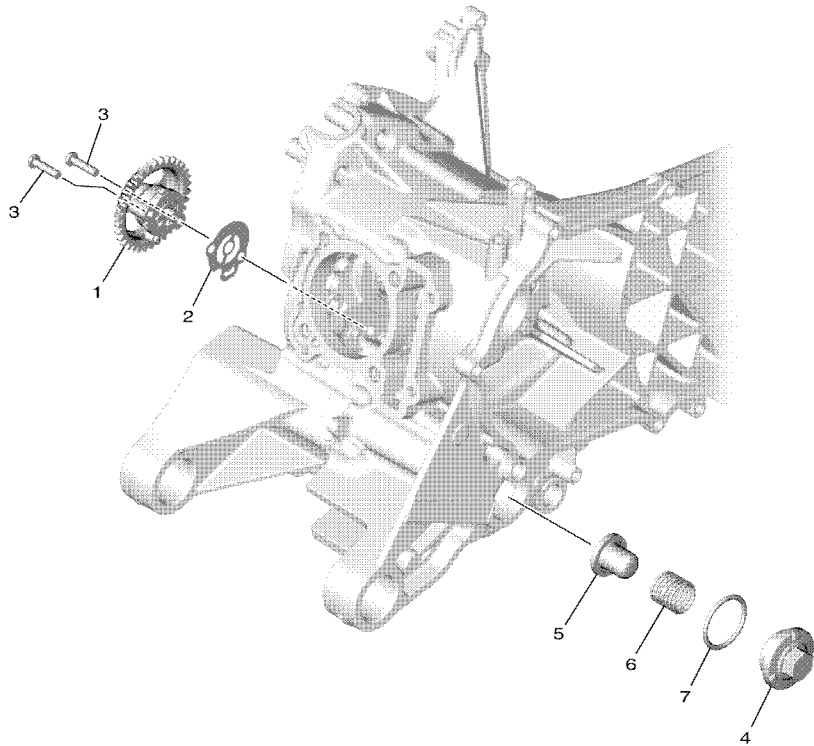
B3W1460DW040

**FIG. 4 CAMSHAFT & CHAIN**

REF. NO.	PART NO.	DESCRIPTION	BES1				REMARKS
1	BES-E2170-00	CAMSHAFT ASSY 1	1				
2	93210-09806	.O-RING	1				
3	93306-001YG	BEARING	1				
4	B7J-E111F-00	PLATE	2				
5	2PH-E112F-00	PLATE 2	1				
6	91312-06012	BOLT, HEXAGON SOCKET HEAD	1				
7	90105-07802	BOLT, FLANGE	1				
8	B5D-E2176-00	SPROCKET, CAM CHAIN	1				
9	94568-A6092	CHAIN	1				
10	54P-E2231-00	GUIDE, STOPPER 1	1				
11	B5D-E2241-00	GUIDE, STOPPER 2	1				
12	2PV-E2210-01	TENSIONER ASSY, CAM CHAIN	1				
13	5MX-E2222-00	.PLUG	1				
14	B5D-E2213-00	GASKET, TENSIONER CASE	1				
15	95E32-06020	BOLT, FLANGE DEEP RECESS	2				
16	B5D-E2157-00	BOLT	1				
17	93210-15862	O-RING	1				

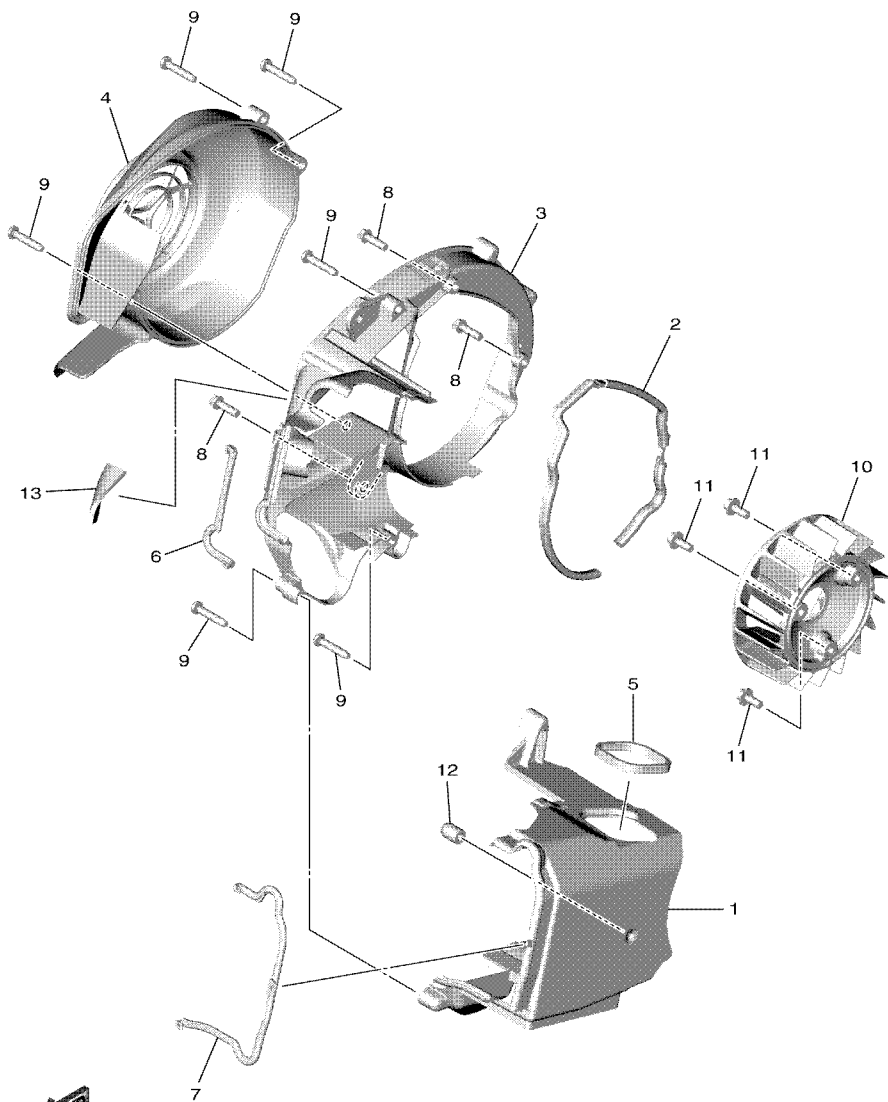
**FIG. 5 OIL PUMP**

REF. NO.	PART NO.	DESCRIPTION	BES1				REMARKS
1	2PH-E3300-10	OIL PUMP ASSY	1				
2	BF4-E3475-00	GASKET	1				
3	98502-05020	SCREW, PAN HEAD	2				
4	54P-E5351-01	PLUG, DRAIN	1				
5	1GC-E3411-00	STRAINER, OIL	1				
6	90501-16004	SPRING, COMPRESSION	1				
7	93210-29800	O-RING	1				



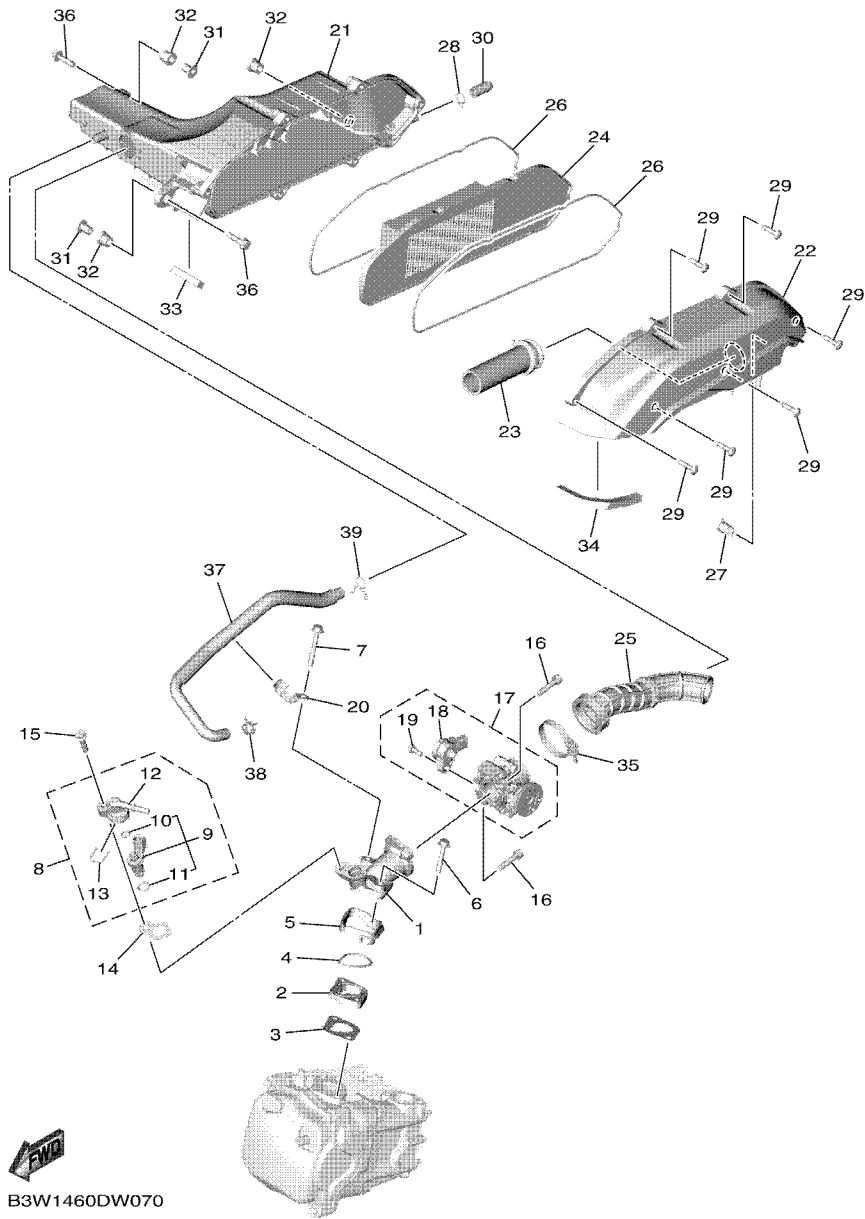
B3W1460DW050

**FIG. 6 AIR SHROUD & FAN**



B3W1460DW060

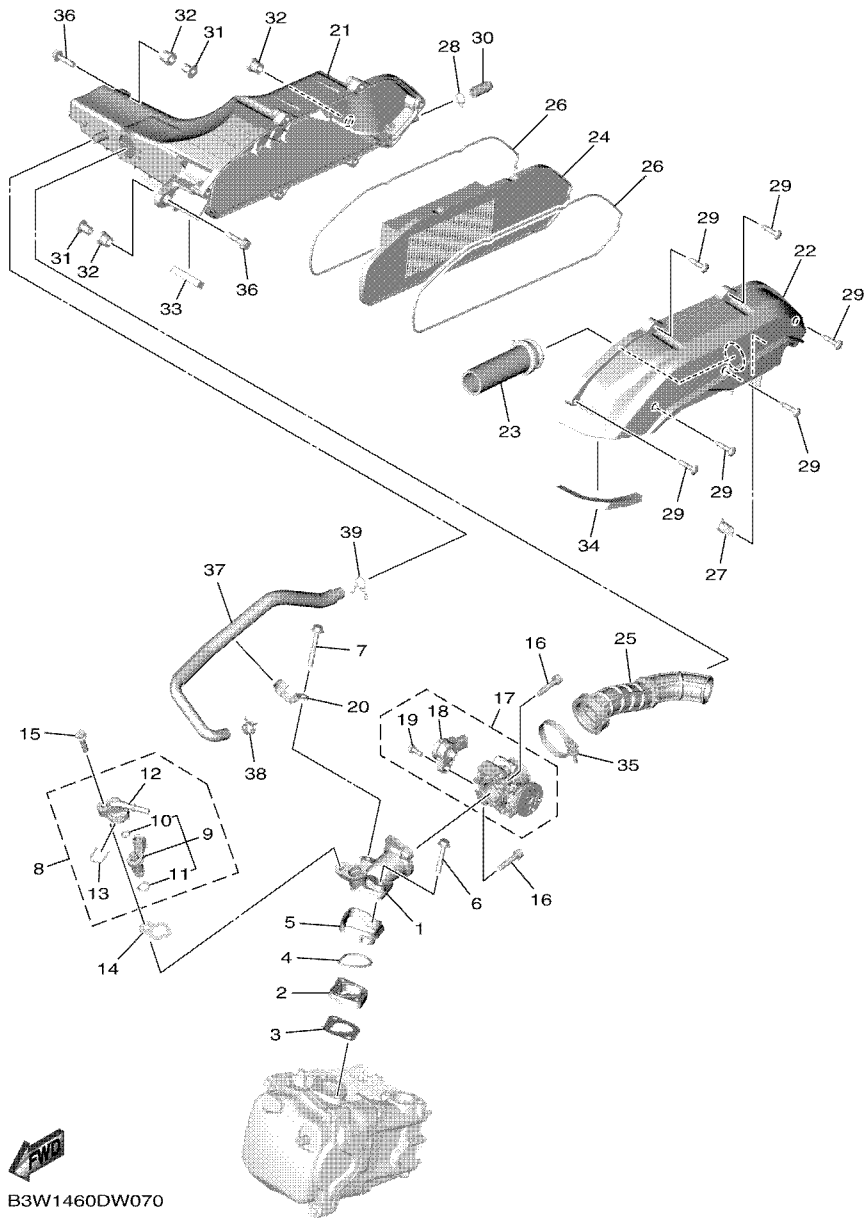
REF. NO.	PART NO.	DESCRIPTION	BES1				REMARKS
1	B5D-E2651-00	AIR SHROUD, CYLINDER 1	1				
2	B5D-E2658-00	DAMPER, AIR SHROUD 1	1				
3	B5D-E2652-00	AIR SHROUD, CYLINDER 2	1				
4	B5D-E2653-00	AIR SHROUD, CYLINDER 3	1				
5	90520-05819	DAMPER, PLATE	1				
6	B5D-E2659-00	DAMPER, AIR SHROUD 2	1				
7	B5D-E2668-00	DAMPER, AIR SHROUD 3	1				
8	95E32-06020	BOLT, FLANGE DEEP RECESS	3				
9	97702-60530	SCREW, TAPPING	6				
10	2PH-E2611-10	FAN	1				
11	90110-06887	BOLT, HEXAGON SOCKET HEAD	3				
12	5LW-E3569-00	PLUG, BLIND	1				
13	90520-04812	DAMPER, PLATE	1				



B3W1460DW070

FIG. 7 INTAKE

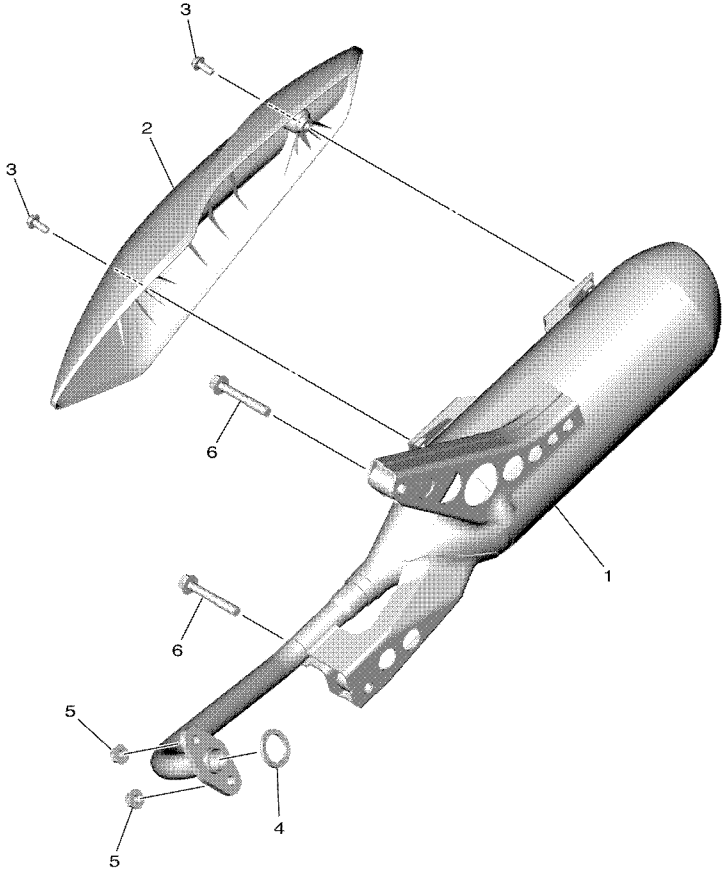
REF. NO.	PART NO.	DESCRIPTION	BES1				REMARKS
1	2PH-E3585-10	MANIFOLD	1				
2	2PH-E3595-00	JOINT	1				
3	B5D-E3556-00	GASKET, MANIFOLD	1				
4	93210-35883	O-RING	1				
5	2PH-E3593-01	DAMPER	1				
6	95D32-06035	BOLT, FLANGE DEEP RECESS	1				
7	95D32-06045	BOLT, FLANGE DEEP RECESS	1				
8	2PH-E3770-10	INJECTOR ASSY	1				
9	2PH-E3761-10	.INJECTOR	1				
10	54P-E4147-00	..O-RING	1				
11	5CA-E4147-00	..O-RING	1				
12	54P-E3938-00	.PIPE	1				
13	54P-E4137-00	.CLIP	1				
14	B5D-E3557-00	GASKET	1				
15	95D32-06025	BOLT, FLANGE DEEP RECESS	1				
16	90110-06846	BOLT, HEXAGON SOCKET HEAD	2				
17	B5D-E3750-00	THROTTLE BODY ASSY	1				
18	B5D-H5885-00	.THROTTLE SENSOR ASSY	1				
19	1PM-14216-00	.SCREW	1				
20	2PH-E4146-00	PLATE	1				
21	B5D-E4411-00	CASE, AIR CLEANER 1	1				
22	B5D-E4412-00	CAP, CLEANER CASE 1	1				
23	2PH-E4437-00	DUCT	1				
24	B5D-E4450-00	ELEMENT ASSY, AIR CLEANER	1				
25	B5D-E4453-00	JOINT, AIR CLEANER 1	1				
26	B5D-E4452-10	SEAL	2				
27	B5D-E443G-00	PIPE, DRAIN 2	1				



**FIG. 7 INTAKE**

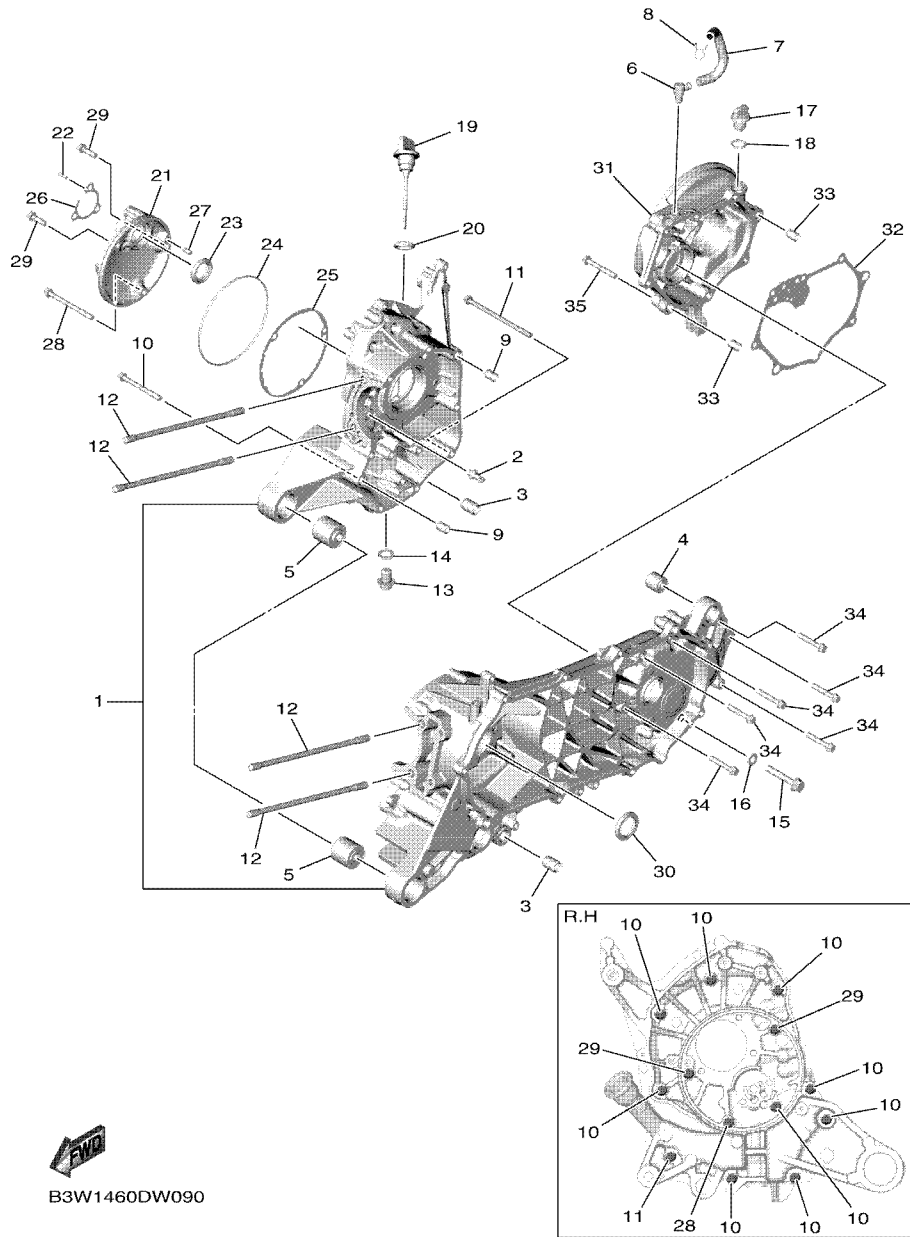
REF. NO.	PART NO.	DESCRIPTION	BES1				REMARKS
28	90467-12807	CLIP	1				
29	97707-50025	SCREW, TAPPING	6				
30	5TL-E443E-00	PIPE, DRAIN	1				
31	90387-068T2	COLLAR	2				
32	90480-13013	GROMMET	3				
33	90520-10851	DAMPER, PLATE	1				
34	90520-10832	DAMPER, PLATE	1				
35	90450-46803	HOSE CLAMP ASSY	1				
36	95D32-06025	BOLT, FLANGE DEEP RECESS	2				
37	B5D-E1166-00	PIPE, BREATHER 1	1				
38	90467-13808	CLIP	1				
39	90467-13858	CLIP	1				

FIG. 8 EXHAUST



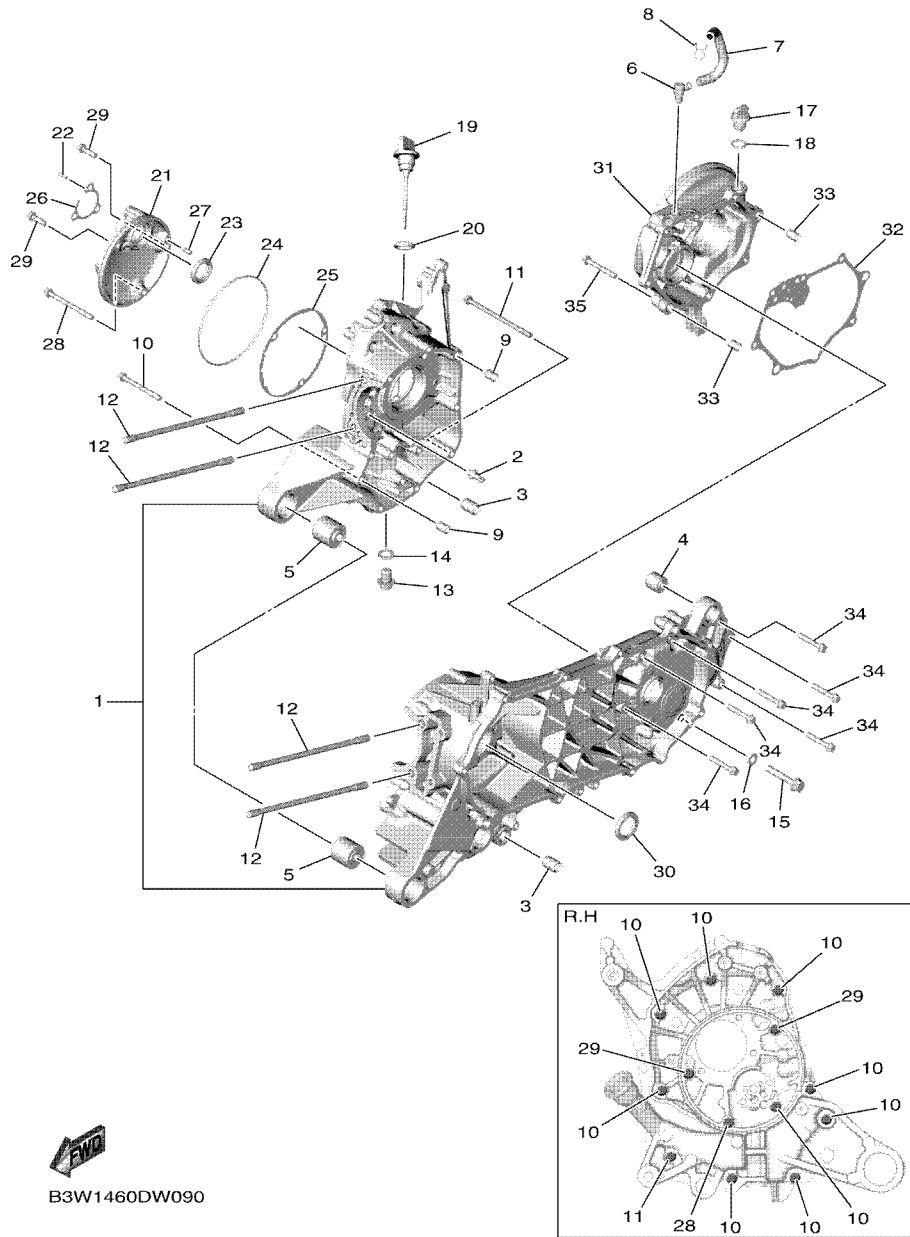
REF. NO.	PART NO.	DESCRIPTION	BES1				REMARKS
1	BES-E4711-00	MUFFLER 1	1				
2	BES-E4718-00	PROTECTOR, MUFFLER 1	1				
3	90111-06811	BOLT,HEX. SOCKET BUTTON	2				
4	B92-E4613-00	GASKET, EXHAUST PIPE	1				
5	95702-08500	NUT, FLANGE	2				
6	95D32-08055	BOLT, FLANGE DEEP RECESS	2				
-----							
-----							
-----							
-----							
-----							
-----							
-----							
-----							
-----							
-----							
-----							

 B3W1460DW080



**FIG. 9 CRANKCASE**

REF. NO.	PART NO.	DESCRIPTION	BES1				REMARKS
1	BES-E5150-00	CRANKCASE ASSY	1				
2	2PH-E5155-01	NOZZLE 3	1				
3	1GC-F7121-00	BUSH	2				
4	90388-08803	DAMPER	1				
5	90388-10805	DAMPER	2				
-----							
6	54P-E5371-00	BREATHER	1				
7	2SX-E5373-00	PIPE, BREATHER	1				
8	90467-10008	CLIP	1				
9	99530-10114	PIN, DOWEL	2				
10	95E32-06060	BOLT, FLANGE DEEP RECESS	9				
-----							
11	95E32-06100	BOLT, FLANGE DEEP RECESS	1				
12	90116-08843	BOLT, STUD	4				
13	90340-12816	PLUG, STRAIGHT SCREW	1				
14	90430-12803	GASKET	1				
15	95812-08045	BOLT, FLANGE	1				
-----							
16	90430-08804	GASKET	1				
17	5LW-E5363-00	PLUG, OIL	1				
18	93210-148H8	O-RING	1				
19	B5D-E5362-00	PLUG, OIL LEVEL	1				
20	5LW-E3769-00	O-RING	1				
-----							
21	B5D-E5417-10	COVER, CAP	1				
22	99480-03012	PIN	1				
23	93102-21800	OIL SEAL	1				
24	93211-07800	O-RING	1				
25	B5D-E5453-00	GASKET	1				
-----							
26	B5D-E5463-10	GASKET, 2	1				
27	99480-05010	PIN	1				

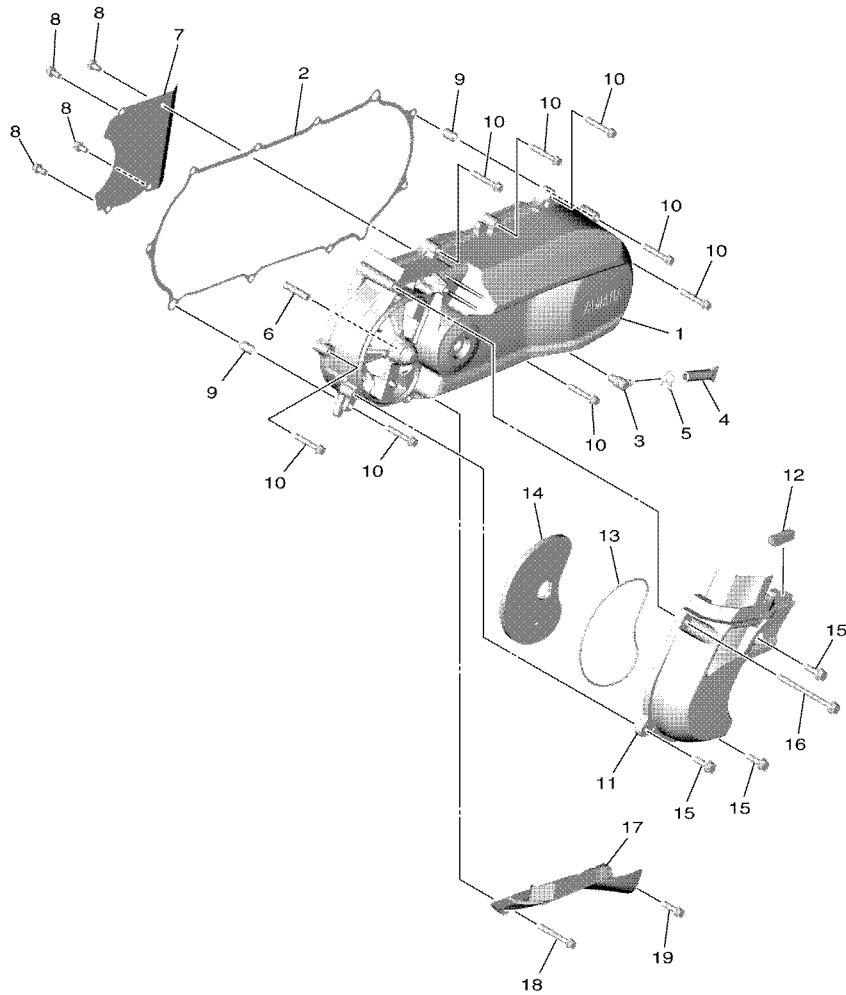


B3W1460DW090

FIG. 9 CRANKCASE

REF. NO.	PART NO.	DESCRIPTION	BES1				REMARKS
28	95E32-06070	BOLT, FLANGE DEEP RECESS	1				
29	95E32-06020	BOLT, FLANGE DEEP RECESS	2				
30	93102-25824	OIL SEAL	1				
31	BES-E5421-00	COVER, CRANKCASE 2	1				UR Either can use
	B5D-E5421-01	COVER, CRANKCASE 2	1				UR Either can use
32	B5D-E5461-00	GASKET, CRANKCASE COVER 2	1				
33	99530-10114	PIN, DOWEL	2				
34	95E32-06035	BOLT, FLANGE DEEP RECESS	6				
35	95E32-06045	BOLT, FLANGE DEEP RECESS	1				

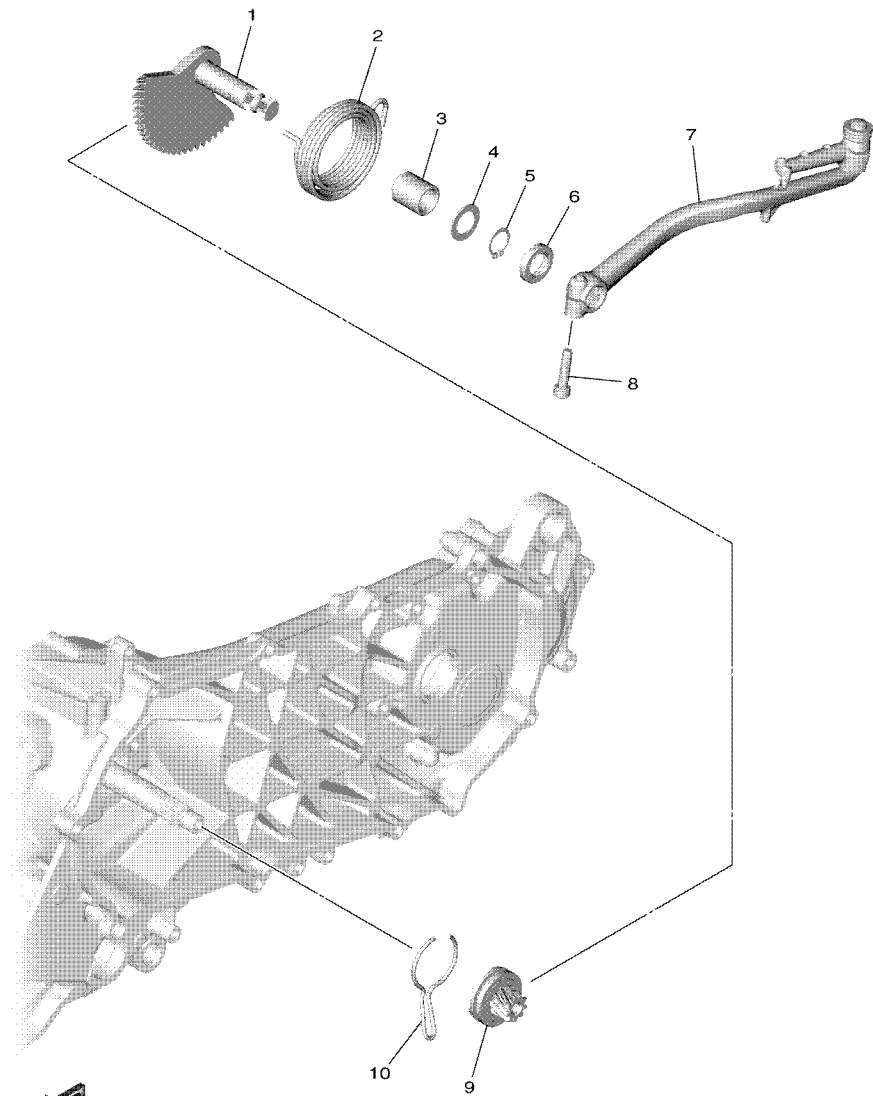




B3W1460DW100

**FIG. 10 CRANKCASE COVER 1**

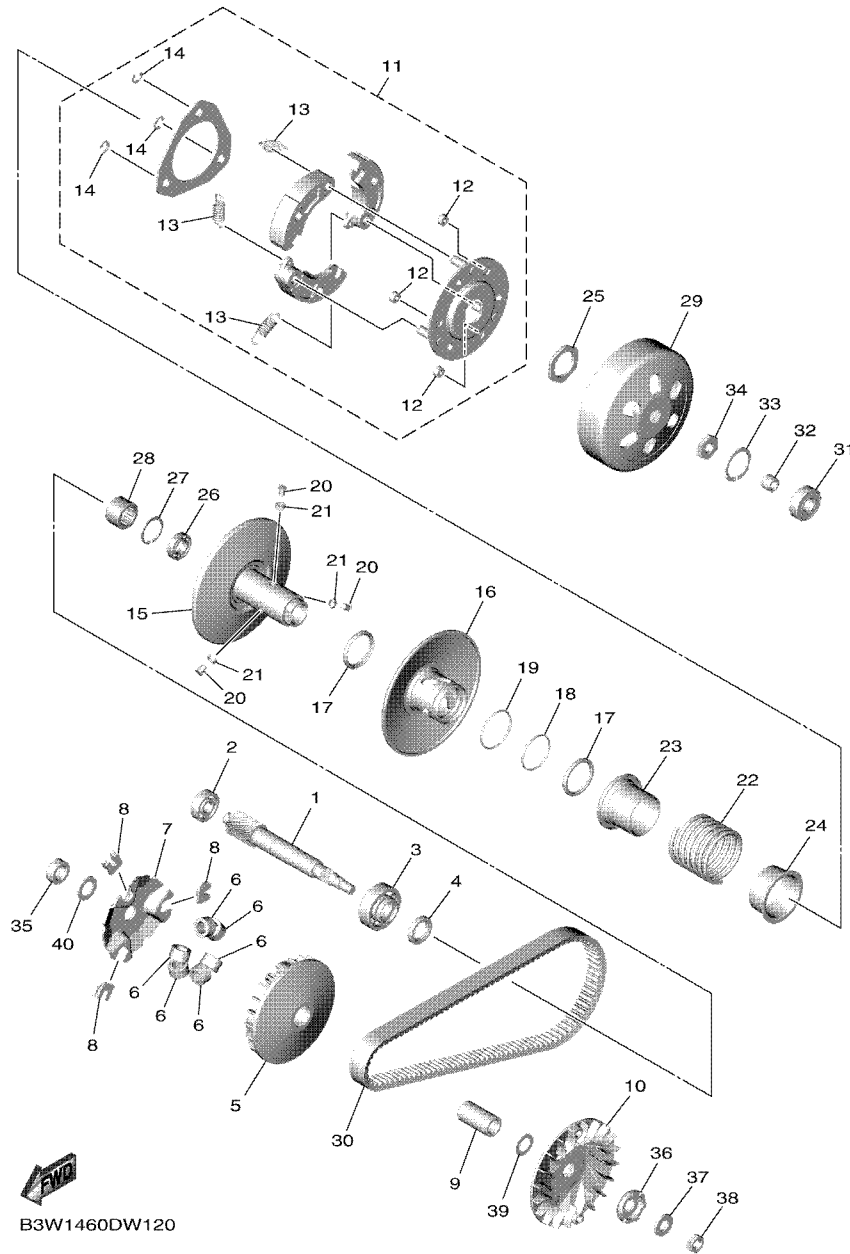
REF. NO.	PART NO.	DESCRIPTION	BES1				REMARKS
1	BES-E5411-00	COVER, CRANKCASE 1	1				
2	B5D-E5451-00	GASKET, CRANKCASE COVER 1	1				
3	54P-E5371-00	BREATHER	1				
4	4ST-E443E-00	PIPE, DRAIN	1				
5	90467-110A3	CLIP	1				
6	B5D-E5659-00	SHAFT	1				
7	B5D-E5191-00	PLATE	1				
8	95E32-06010	BOLT, FLANGE DEEP RECESS	4				
9	99530-10114	PIN, DOWEL	2				
10	95E32-06035	BOLT, FLANGE DEEP RECESS	8				
11	B3W-E5471-00	DUCT, AIR	1				
12	90520-10834	DAMPER, PLATE	1				
13	B5D-E5472-00	SEAL, AIR DUCT	1				
14	2PH-E5407-00	ELEMENT 1	1				
15	95D32-06020	BOLT, FLANGE DEEP RECESS	3				
16	95D32-06080	BOLT, FLANGE DEEP RECESS	1				
17	B5D-E5413-00	COVER	1				
18	95E32-06045	BOLT, FLANGE DEEP RECESS	1				
19	95E32-06020	BOLT, FLANGE DEEP RECESS	1				



B3W1460DW110

FIG. 11 STARTER

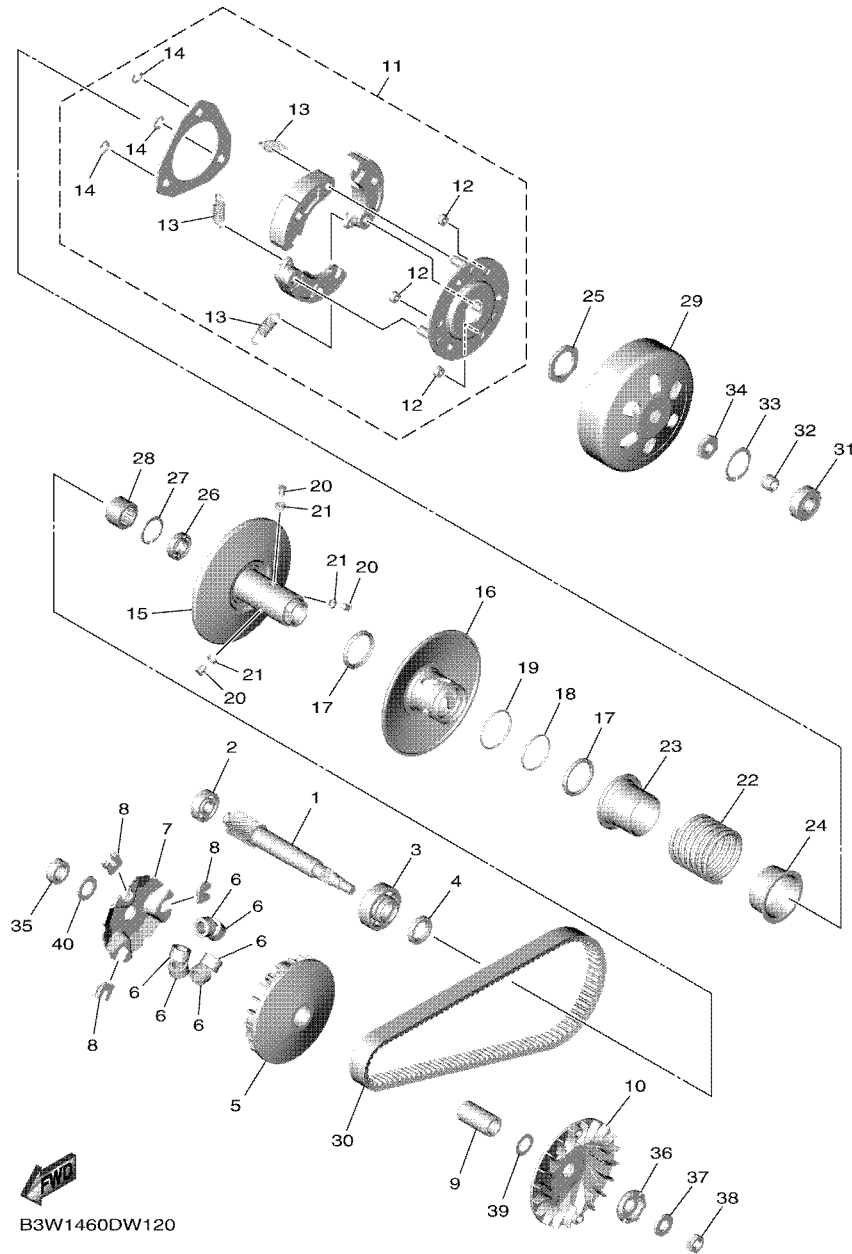
REF. NO.	PART NO.	DESCRIPTION	BES1				REMARKS
1	B5D-E5601-00	KICK SHAFT ASSY	1				
2	90508-32768	SPRING, TORSION	1				
3	90380-15809	BUSH, SOLID	1				
4	90201-154E8	WASHER, PLATE (T=1.0)	1				
5	99009-15400	CIRCLIP	1				
6	93102-15801	OIL SEAL	1				
7	2BL-E5620-10	KICK CRANK ASSY	1				
8	91312-06025	BOLT, HEXAGON SOCKET HEAD	1				
9	B5D-E5630-00	KICK PINION ASSY	1				
10	5MX-E5673-00	CLIP	1				



B3W1460DW120

FIG. 12 CLUTCH

REF. NO.	PART NO.	DESCRIPTION	BES1			REMARKS
1	2PH-E6111-00	GEAR, PRIMARY DRIVE (16T)	1			UR Either can use
	2PH-E6111-10	GEAR, PRIMARY DRIVE (16T)	1			UR Either can use
2	93306-201YS	BEARING	1			
3	93306-204XX	BEARING	1			
4	93102-20815	OIL SEAL	1			
5	2SX-E7620-00	PRIMARY SLIDING SHEAVE COMP.	1			
6	2PH-E7632-20	WEIGHT	6			
7	2SX-E7623-10	CAM	1			
8	2SX-E7653-00	SLIDER	3			
9	54P-E7674-00	COLLAR, GUIDE	1			
10	44D-E7611-00	SHEAVE, PRIMARY FIXED	1			
11	2SX-E6620-10	CLUTCH CARRIER ASSY	1			
12	54P-E6629-00	.DAMPER, CLUTCH WEIGHT	3			
13	2DS-E6626-00	.SPRING, CLUTCH WEIGHT 1	3			
14	54P-E6819-00	.CIRCLIP, CLUTCH	3			
15	2SX-E7660-10	SECONDARY FIXED SHEAVE COMP.	1			
16	2SX-E7670-00	SECONDARY SLIDING SHEAVE	1			
17	2SX-E7465-00	SEAL	2			
18	2SX-E7465-10	SEAL	1			
19	2SX-E7465-20	SEAL	1			
20	2DP-E7664-00	PIN, GUIDE	3			
21	2DP-E7674-10	COLLAR, GUIDE	3			
22	2SX-E7683-10	SPRING, SECONDARY	1			
23	2SX-E7684-00	SEAT, SECONDARY SPRING	1			
24	2SX-E7644-10	SEAT, SPRING	1			
25	2DP-E7668-00	NUT	1			
26	2DP-E7678-00	BEARING	1			

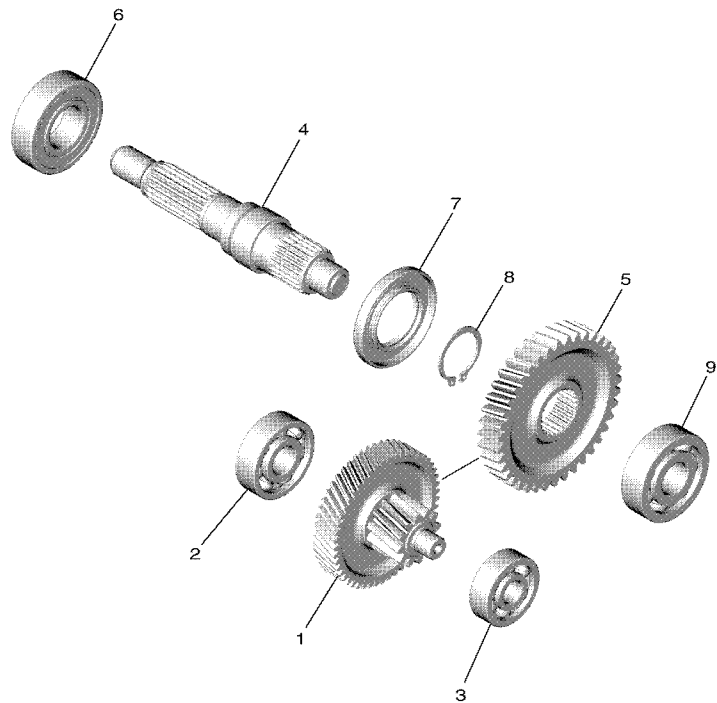


B3W1460DW120

FIG. 12 CLUTCH

REF. NO.	PART NO.	DESCRIPTION	BES1				REMARKS
27	2DP-E5744-00	CIRCLIP	1				
28	2DP-E7678-10	BEARING	1				
29	2SX-E6611-00	CLUTCH HOUSING COMP.	1				
30	2PH-E7641-00	V-BELT	1				
31	933A6-202Y0	BEARING	1				
32	90380-10803	BUSH, SOLID	1				
33	99009-35700	CIRCLIP	1				
34	90170-12803	NUT	1				
35	90387-16819	COLLAR	1				
36	5MX-E5657-00	CLUTCH, ONEWAY	1				
37	90208-12808	WASHER, CONICAL SPRING	1				
38	90170-12800	NUT	1				
39	90201-15845	WASHER, PLATE	1				
40	90201-16816	WASHER, PLATE	1				

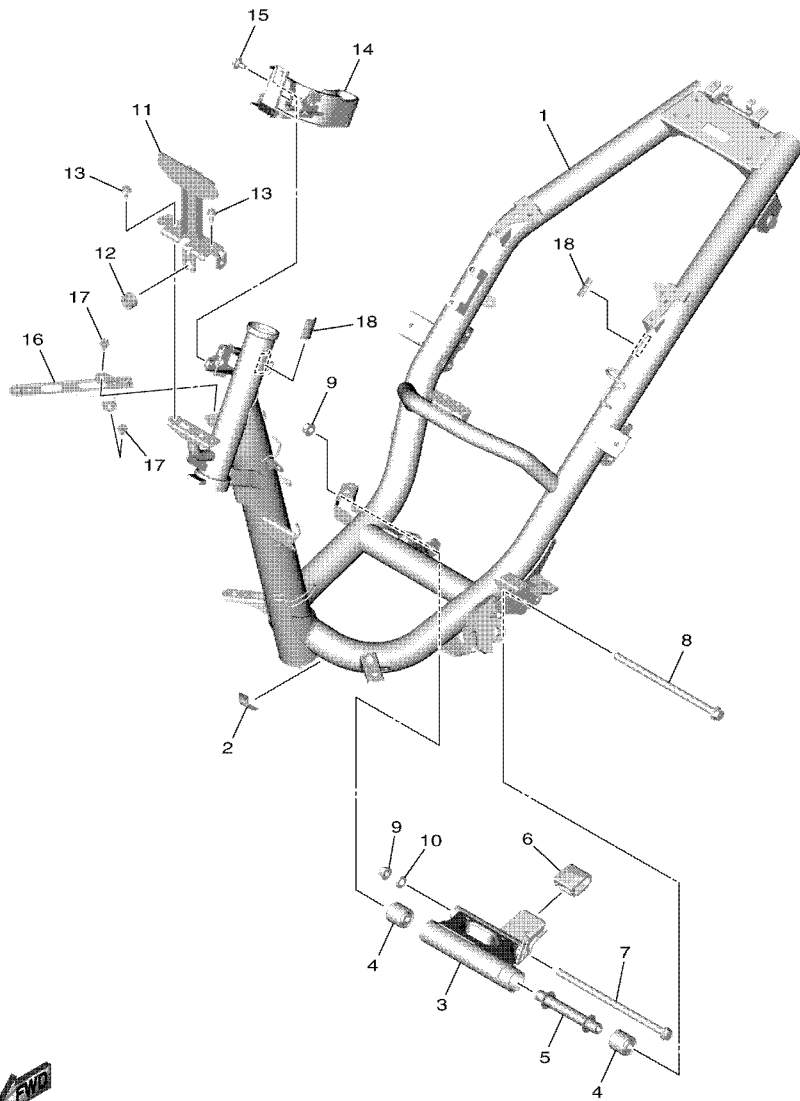
**FIG. 13 TRANSMISSION**



REF. NO.	PART NO.	DESCRIPTION	BES1				REMARKS
1	B5D-E7410-00	MAIN AXLE COMP. (12T/50T)	1				UR Either can use
	B5D-E7410-10	MAIN AXLE COMP. (12T/50T)	1				UR Either can use
	B5D-E7410-20	MAIN AXLE COMP. (12T/50T)	1				UR Either can use
	B5D-E7410-30	MAIN AXLE COMP. (12T/50T)	1				UR Either can use
	B5D-E7410-40	MAIN AXLE COMP. (12T/50T)	1				UR Either can use
2	93306-302YU	BEARING	1				
3	93306-351Y8	BEARING	1				
4	B5D-E7421-00	AXLE, DRIVE	1				
5	2PH-E7211-20	GEAR, 1ST WHEEL (39T)	1				UR Either can use
	2PH-E7211-30	GEAR, 1ST WHEEL (39T)	1				UR Either can use
	2PH-E7211-40	GEAR, 1ST WHEEL (39T)	1				UR Either can use
6	93306-272YB	BEARING	1				
7	93102-30805	OIL SEAL	1				
8	99009-25400	CIRCLIP	1				
9	93306-303YU	BEARING	1				



B3W1460DW130

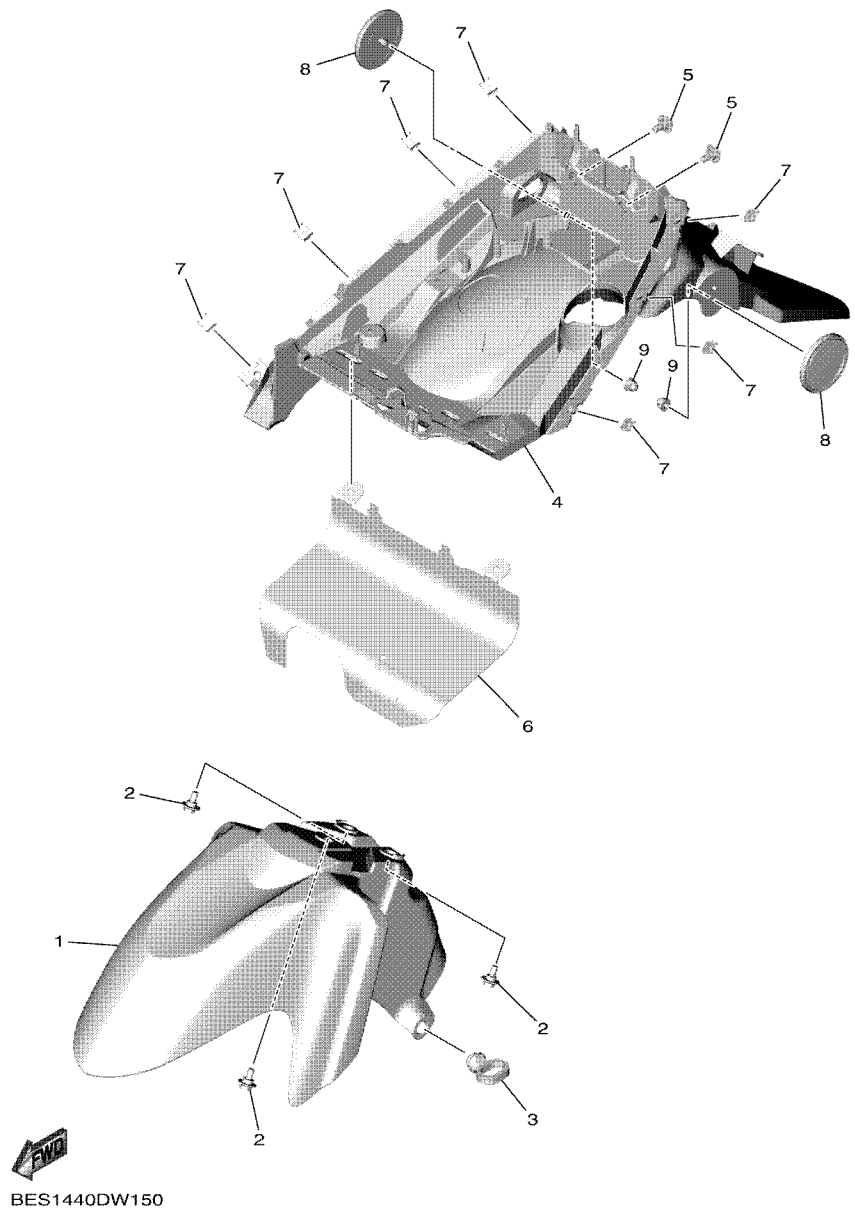


B3W1460DW140

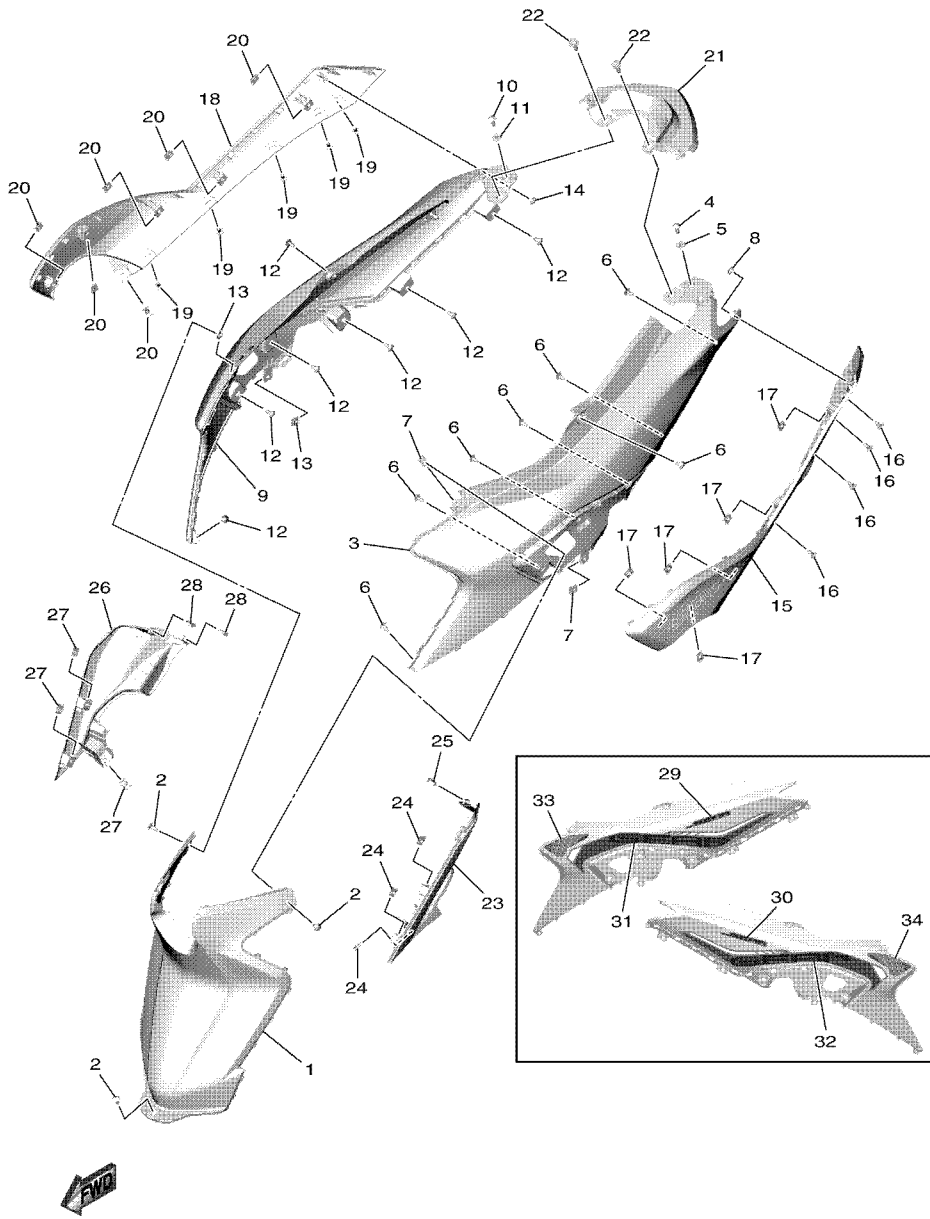
**FIG. 14 FRAME**

REF. NO.	PART NO.	DESCRIPTION	BES1				REMARKS
1	BES-F1110-00	FRAME COMP.	1				
2	5D9-F414G-00	SEAL	1				
3	2PH-F1410-20	ENGINE BRACKET COMP.	1				
4	90388-10800	DAMPER	2				
5	54P-F1459-00	SPACER	1				UR Either can use
	BJ7-F1459-00	SPACER	1				UR Either can use
6	2PH-F7114-00	STOPPER, MAIN STAND	1				
7	90105-108B2	BOLT, FLANGE	1				
8	54P-F2141-00	SHAFT, PIVOT	1				
9	95602-10200	NUT, S/L FLANGE	2				
10	92907-10600	WASHER, PLATE	1				
11	BES-F8356-00	STAY 1	1				
12	90480-14004	GROMMET	1				
13	95802-06012	BOLT, FLANGE	2				
14	BES-F1288-00	GUIDE, CABLE	1				
15	90109-068B5	BOLT	1				
16	BES-F8358-00	STAY 3	1				
17	95D32-06010	BOLT, FLANGE DEEP RECESS	2				
18	90520-02806	DAMPER, PLATE	2				

**FIG. 15 FENDER**



REF. NO.	PART NO.	DESCRIPTION	BES1				REMARKS
1	BES-F1511-00-P0	FENDER, FRONT	1				UR FOR VPBC5
	BES-F1511-00-P1	FENDER, FRONT	1				UR FOR VRC1
	BES-F1511-00-P2	FENDER, FRONT	1				UR FOR MS1
2	90109-068B5	BOLT	3				
3	15K-F1518-00	HOLDER, CABLE	1				
4	BES-F1611-00	FENDER, REAR	1				
5	90109-068B5	BOLT	2				
6	BES-F1621-00	FLAP	1				
7	90183-05807	NUT, SPRING	7				
8	2FC-H5111-00	REFLECTOR, 1	2				
9	90185-05803	NUT, SELF-LOCKING	2				

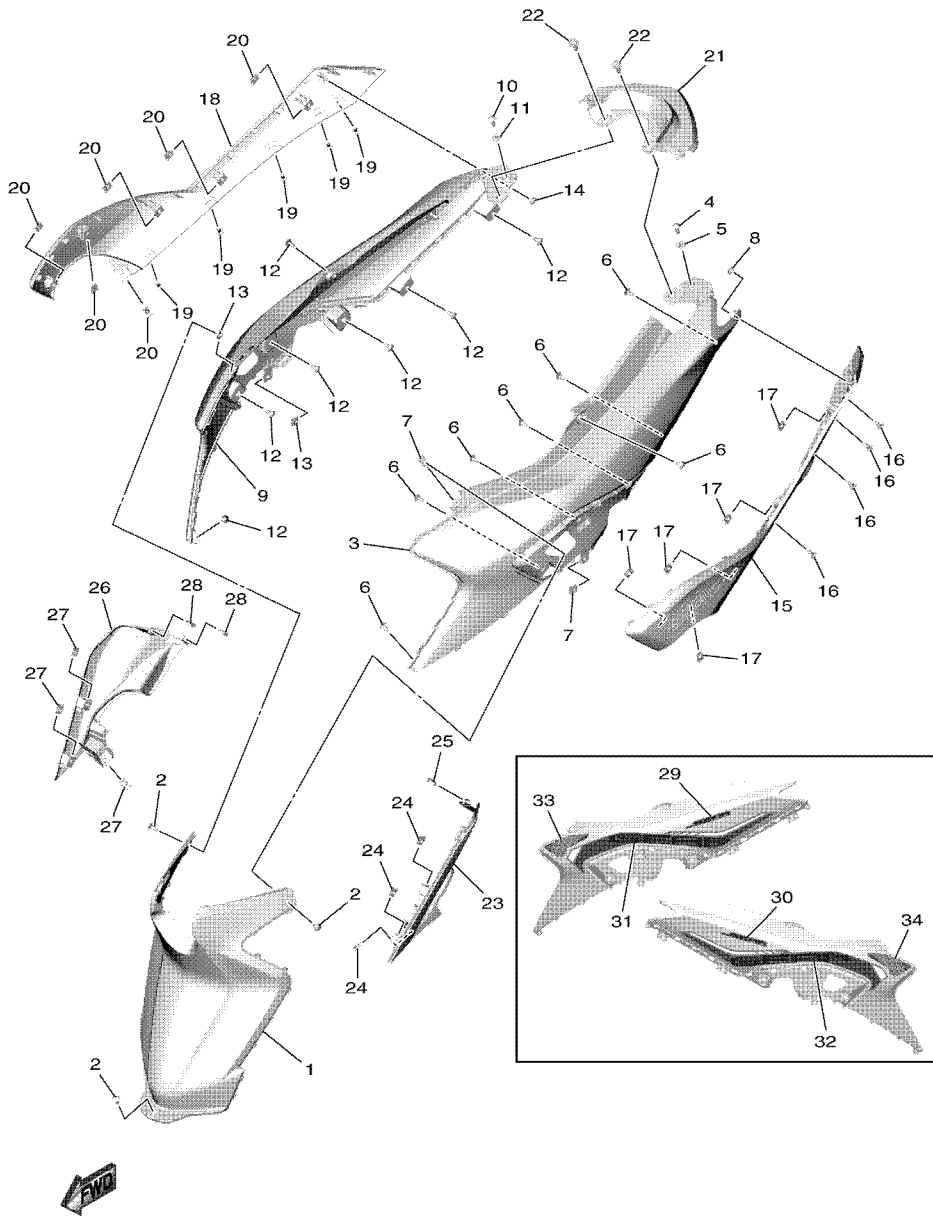


BES1440DW160

**FIG. 16 SIDE COVER**

REF. NO.	PART NO.	DESCRIPTION	BES1				REMARKS
1	BES-F172W-00	COVER	1				
2	97707-50012	SCREW, TRUSS HEAD TAPPING	3				
3	BES-F1711-00-P0	COVER, SIDE 1	1				UR FOR VPBC5
	BES-F1711-00-P1	COVER, SIDE 1	1				UR FOR VRC1
	BES-F1711-00-P2	COVER, SIDE 1	1				UR FOR MS1
4	97707-50016	SCREW, TRUSS HEAD TAPPING	1				
5	90387-05820	COLLAR	1				
6	97707-50012	SCREW, TRUSS HEAD TAPPING	7				
7	90183-05807	NUT, SPRING	2				
8	90183-04005	NUT, SPRING	1				
9	BES-F1721-00-P0	COVER, SIDE 2	1				UR FOR VPBC5
	BES-F1721-00-P1	COVER, SIDE 2	1				UR FOR VRC1
	BES-F1721-00-P2	COVER, SIDE 2	1				UR FOR MS1
10	97707-50016	SCREW, TRUSS HEAD TAPPING	1				
11	90387-05820	COLLAR	1				
12	97707-50012	SCREW, TRUSS HEAD TAPPING	7				
13	90183-05807	NUT, SPRING	2				
14	90183-04005	NUT, SPRING	1				
15	BES-F1731-00	COVER, SIDE 3	1				
16	97707-50012	SCREW, TRUSS HEAD TAPPING	4				
17	90183-05807	NUT, SPRING	5				
18	BES-F1741-00	COVER, SIDE 4	1				
19	97707-50012	SCREW, TRUSS HEAD TAPPING	5				
20	90183-05807	NUT, SPRING	6				
21	BES-F171E-00	COVER, SIDE 5	1				
22	90159-06810	SCREW, WITH WASHER	2				
23	BES-F1716-00	LID, SIDE COVER	1				

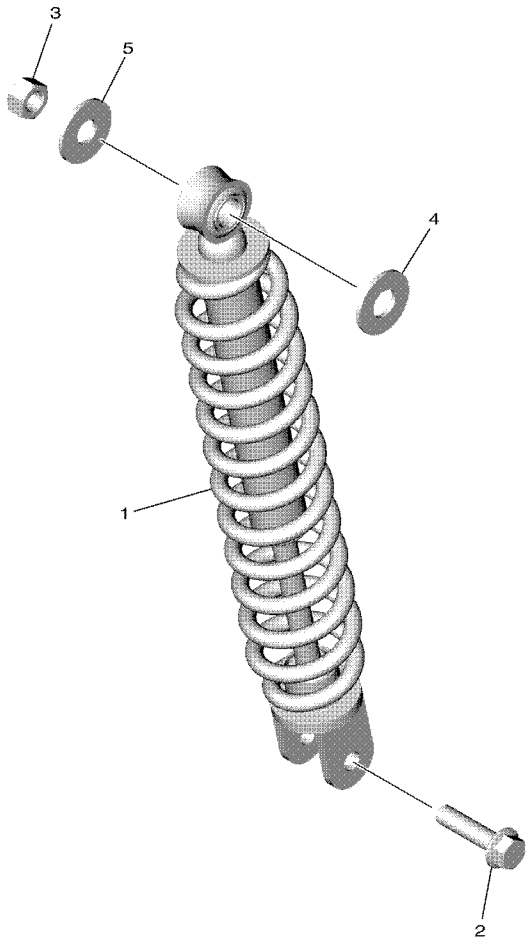




BES1440DW160

FIG. 16 SIDE COVER

REF. NO.	PART NO.	DESCRIPTION	BES1			REMARKS
24	90183-05807	NUT, SPRING	3			
25	90464-04801	CLAMP	1			
26	BES-F1726-00	LID, SIDE COVER 2	1			
27	90183-05807	NUT, SPRING	3			
28	90464-04801	CLAMP	2			
29	BES-F1737-00	EMBLEM	1			UR FOR VPBC5
	BES-F1737-10	EMBLEM	1			UR FOR VRC1
	BES-F1737-20	EMBLEM	1			UR FOR MS1
30	BES-F1737-00	EMBLEM	1			UR FOR VPBC5
	BES-F1737-10	EMBLEM	1			UR FOR VRC1
	BES-F1737-20	EMBLEM	1			UR FOR MS1
31	BES-F173E-00	GRAPHIC 1	1			UR FOR VPBC5
	BES-F173E-10	GRAPHIC 1	1			UR FOR VRC1
	BES-F173E-20	GRAPHIC 1	1			UR FOR MS1
32	BES-F173F-00	GRAPHIC 2	1			UR FOR VPBC5
	BES-F173F-10	GRAPHIC 2	1			UR FOR VRC1
	BES-F173F-20	GRAPHIC 2	1			UR FOR MS1
33	BES-F174G-00	GRAPHIC 3	1			UR FOR VPBC5
	BES-F174G-10	GRAPHIC 3	1			UR FOR VRC1
	BES-F174G-20	GRAPHIC 3	1			UR FOR MS1
34	BES-F174H-00	GRAPHIC 4	1			UR FOR VPBC5
	BES-F174H-10	GRAPHIC 4	1			UR FOR VRC1
	BES-F174H-20	GRAPHIC 4	1			UR FOR MS1

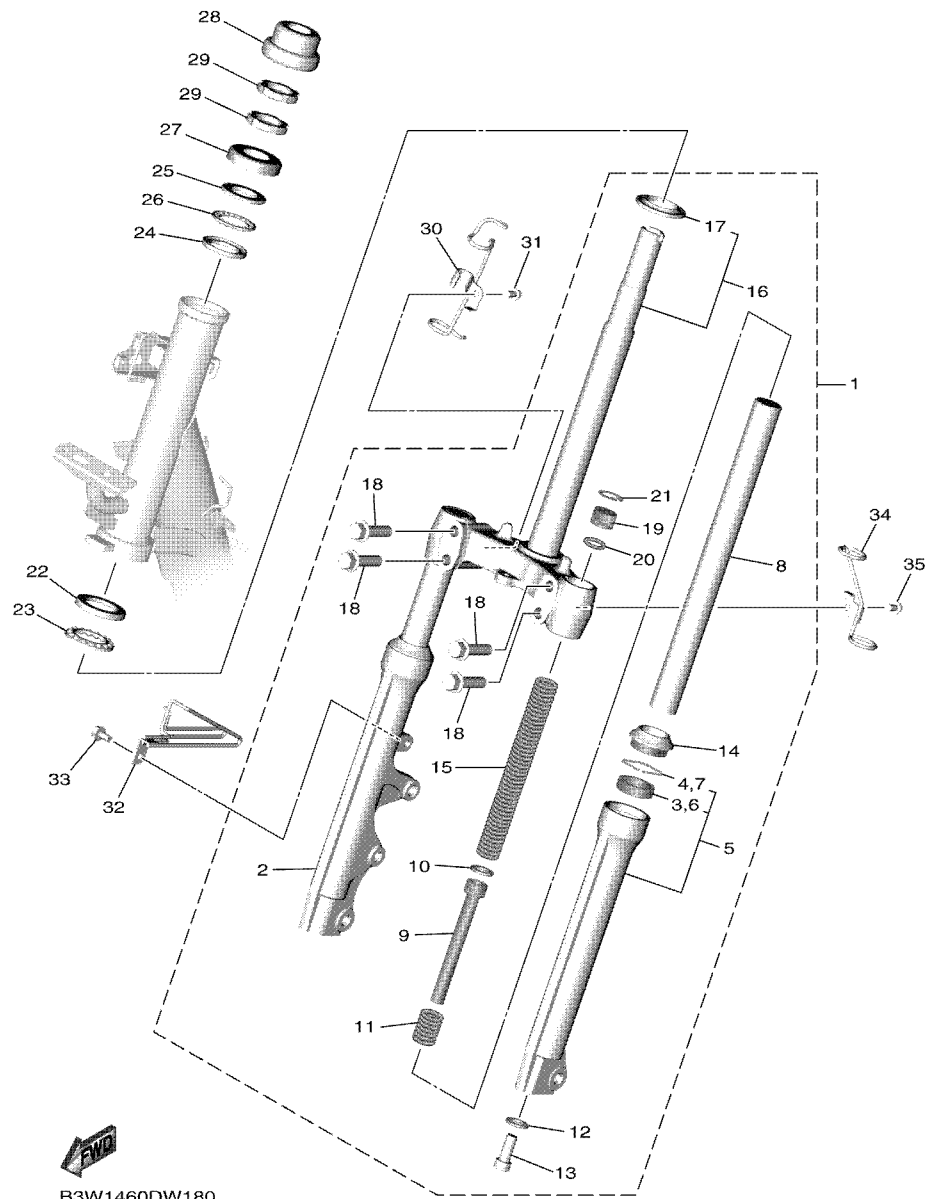


B3W1460DW170

**FIG. 17 REAR SUSPENSION**

REF. NO.	PART NO.	DESCRIPTION	BES1				REMARKS
1	10C-F2210-30	SHOCK ABSORBER ASSY, REAR	1				
2	90105-088H4	BOLT, FLANGE	1				
3	95302-10600	NUT, HEXAGON	1				
4	90201-12028	WASHER, PLATE	1				
5	90201-10065	WASHER, PLATE	1				

FIG. 18 STEERING

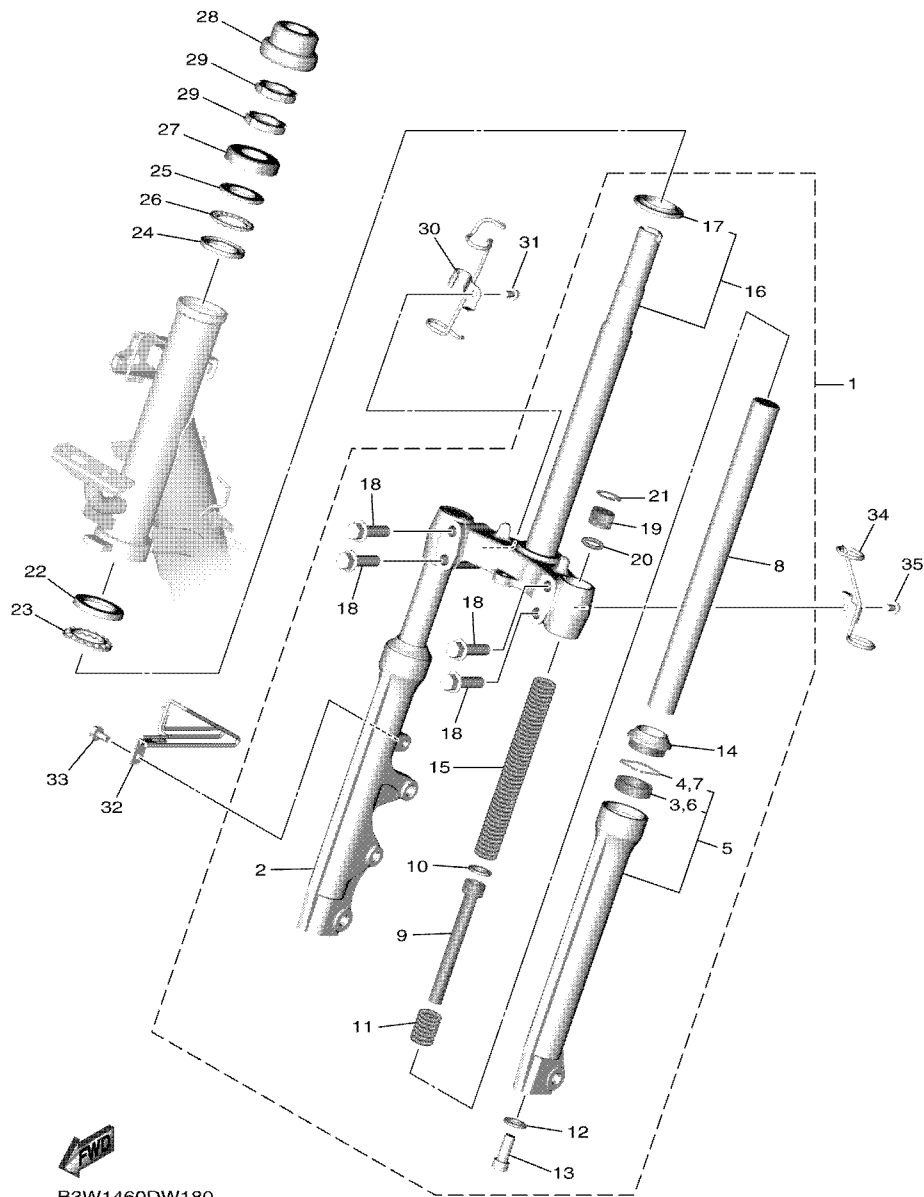


B3W1460DW180

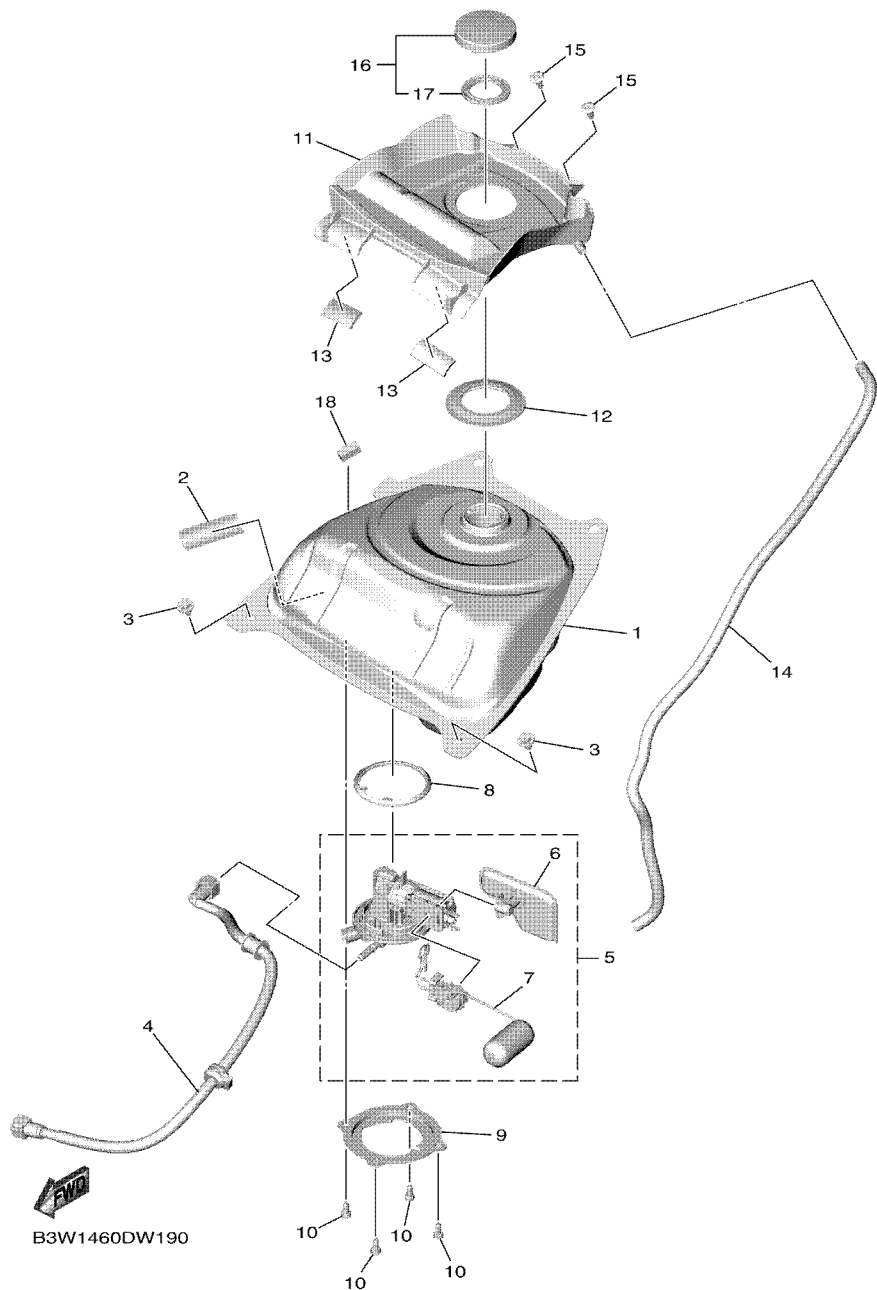
REF. NO.	PART NO.	DESCRIPTION	BES1				REMARKS
1	B92-F3100-00	FRONT FORK ASSY	1				
2	B92-F3136-00	.TUBE, OUTER 2	1				
3	4UV-F3145-00	.OIL SEAL	1				
4	5P0-F3156-00	.RING, SNAP	1				
5	B92-F3126-00	.TUBE, OUTER (L.H)	1				
6	4UV-F3145-00	.OIL SEAL	1				
7	5P0-F3156-00	.RING, SNAP	1				
8	B92-F3110-00	.INNER TUBE COMP.1	2				
9	B92-F3170-00	.CYLINDER COMP., FRONT FORK	2				
10	2JG-F3157-00	.RING, PISTON	2				
11	5TF-F3152-00	.SPRING, SUB	2				
12	509-F3158-L0	.GASKET	2				
13	31D-F3181-50	.BOLT, HEXAGON SOCKET HEAD	2				
14	5LL-F3144-00	.SEAL, DUST	2				
15	B92-F3141-00	.SPRING, FRONT FORK	2				
16	B92-F3340-00	.UNDER BRACKET COMP.	1				
17	4FP-F3411-10	.RACE, BALL 1	1				
18	4D0-F3346-00	.BOLT 1	4				
19	1FC-F3111-10	.BOLT, CAP	2				
20	2JG-F3147-00	.O-RING	2				
21	31D-F3153-00	.RING, SNAP	2				
22	1KL-F3412-10	RACE, BALL 2	1				
23	5VL-F341E-10	RETAINER, BALL BEARING	1				
24	4RT-F3412-10	RACE, BALL 2	1				
25	4RT-F3411-10	RACE, BALL 1	1				
26	1P6-F341E-10	RETAINER, BALL BEARING	1				
27	2WB-F3416-00	COVER, BALL RACE 2	1				

**FIG. 18 STEERING**

REF. NO.	PART NO.	DESCRIPTION	BES1				REMARKS
28	54P-F3415-00	COVER, BALL RACE 1	1				
29	90179-25812	NUT	2				
30	B92-F5875-00	HOLDER, BRAKE HOSE 1	1				
31	95D02-06010	BOLT, FLANGE DEEP RECESS	1				
32	B92-F5876-00	HOLDER, BRAKE HOSE 2	1				
33	95D32-06012	BOLT, FLANGE DEEP RECESS	1				
34	BES-F1161-00	HOLDER, CABLE	1				
35	95D02-06010	BOLT, FLANGE DEEP RECESS	1				



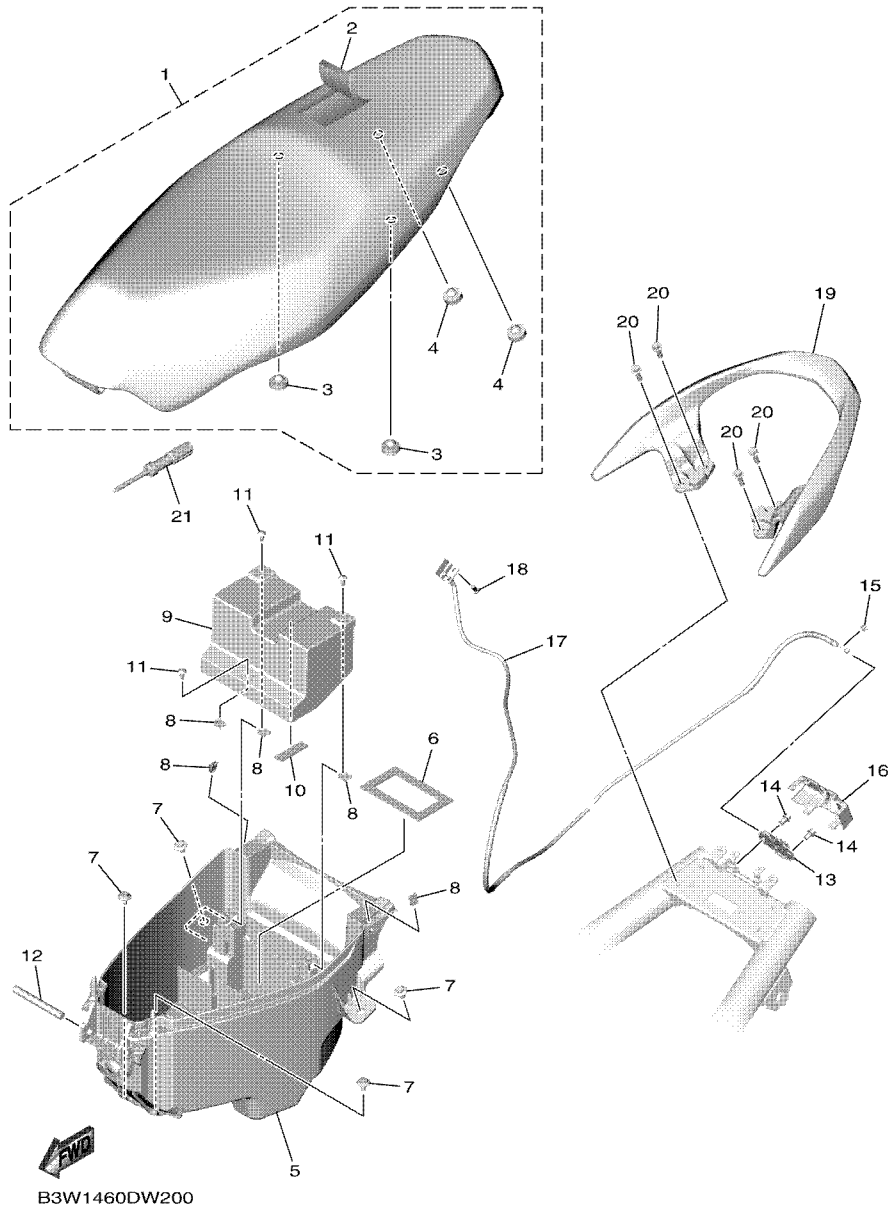
B3W1460DW180



B3W1460DW190

**FIG. 19 FUEL TANK**

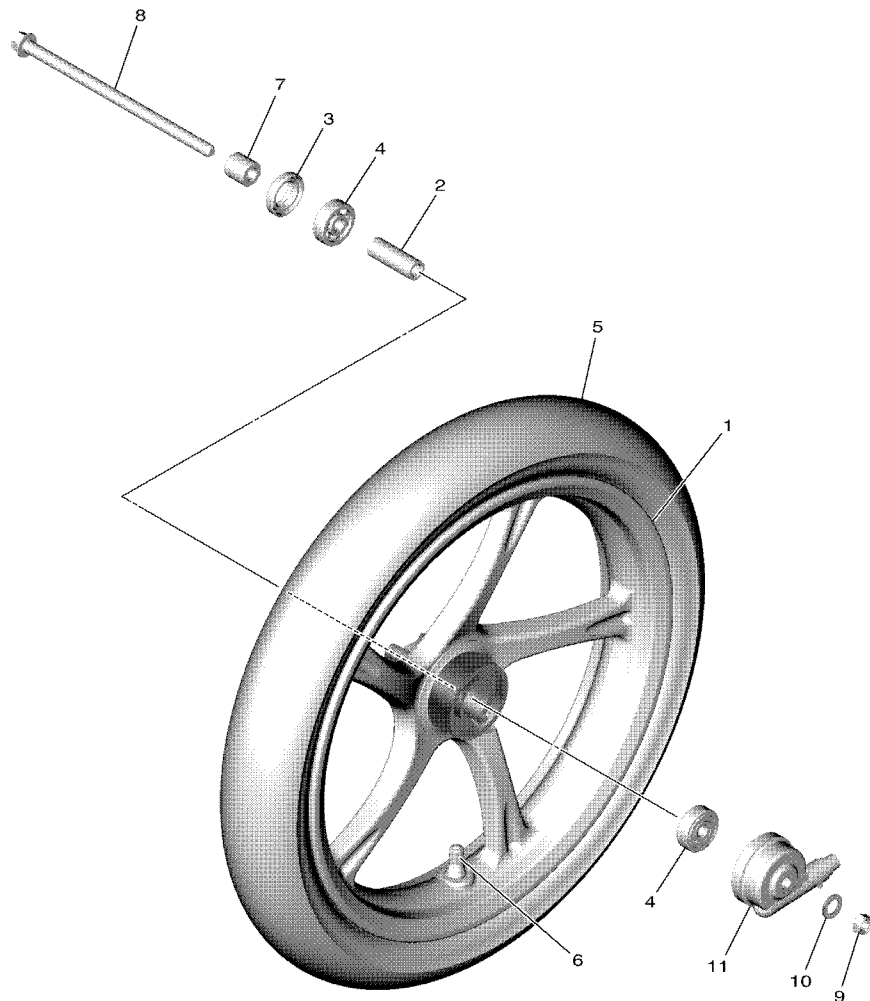
REF. NO.	PART NO.	DESCRIPTION	BES1				REMARKS
1	B92-F4110-00	FUEL TANK COMP.	1				
2	5D9-F414G-00	SEAL	1				
3	90119-06155	BOLT, WITH WASHER	2				
4	2PH-E3971-02	PIPE, FUEL 1	1				
5	B3W-E3907-11	FUEL PUMP COMP.	1				
6	54P-E3915-00	.FILTER, FUEL SUCTION	1				
7	2PH-H5752-00	.SENDER UNIT ASSY, FUEL METER	1				
8	54P-F414G-10	SEAL	1				
9	B92-F4491-00	BRACKET, FUEL PUMP	1				
10	91332-05010	BOLT	4				
11	BES-F41B1-00	COVER, TANK	1				
12	B92-F414G-00	SEAL	1				
13	5D9-H2126-00	PAD, BATTERY	2				
14	91A20-07065	TUBE, FLEXIBLE VINYL	1				
15	90269-06816	RIVET	2				
16	4YY-F4610-00	CAP ASSY	1				
17	4YY-F4612-00	.PACKING, CAP	1				
18	90520-08812	DAMPER, PLATE	1				



**FIG. 20 SEAT**

REF. NO.	PART NO.	DESCRIPTION	BES1				REMARKS
1	BES-F4730-00	DOUBLE SEAT ASSY	1				
2	BES-F470F-00	.SEAT COVER COMP.	1				
3	44P-F4741-00	.PAD, SEAT	2				
4	4HF-F4741-00	.PAD, SEAT	2				
5	BES-F473R-00	BOX 1	1				
6	1VB-H2176-00	DAMPER	1				
7	90109-068B4	BOLT	4				
8	90183-05807	NUT, SPRING	5				
9	BES-H2129-00	COVER, BATTERY	1				
10	90520-03806	DAMPER, PLATE	1				
11	97707-50012	SCREW, TRUSS HEAD TAPPING	3				
12	2WB-F4727-00	PIN, SEAT FITTING	1				
13	40D-F4780-01	SEAT LOCK ASSY	1				
14	95E32-06010	BOLT, FLANGE DEEP RECESS	2				
15	1S8-F4768-00	STOPPER	1				
16	B92-F472T-00	COVER, SEAT LOCK	1				
17	2SX-F478E-10	CABLE, SEAT LOCK	1				
18	98507-05010	SCREW, PAN HEAD	1				
19	BES-F4773-00-33	HANDLE, SEAT	1				YB
20	95D32-06020	BOLT, FLANGE DEEP RECESS	4				
21	BES-F8100-00	TOOL KIT	1				

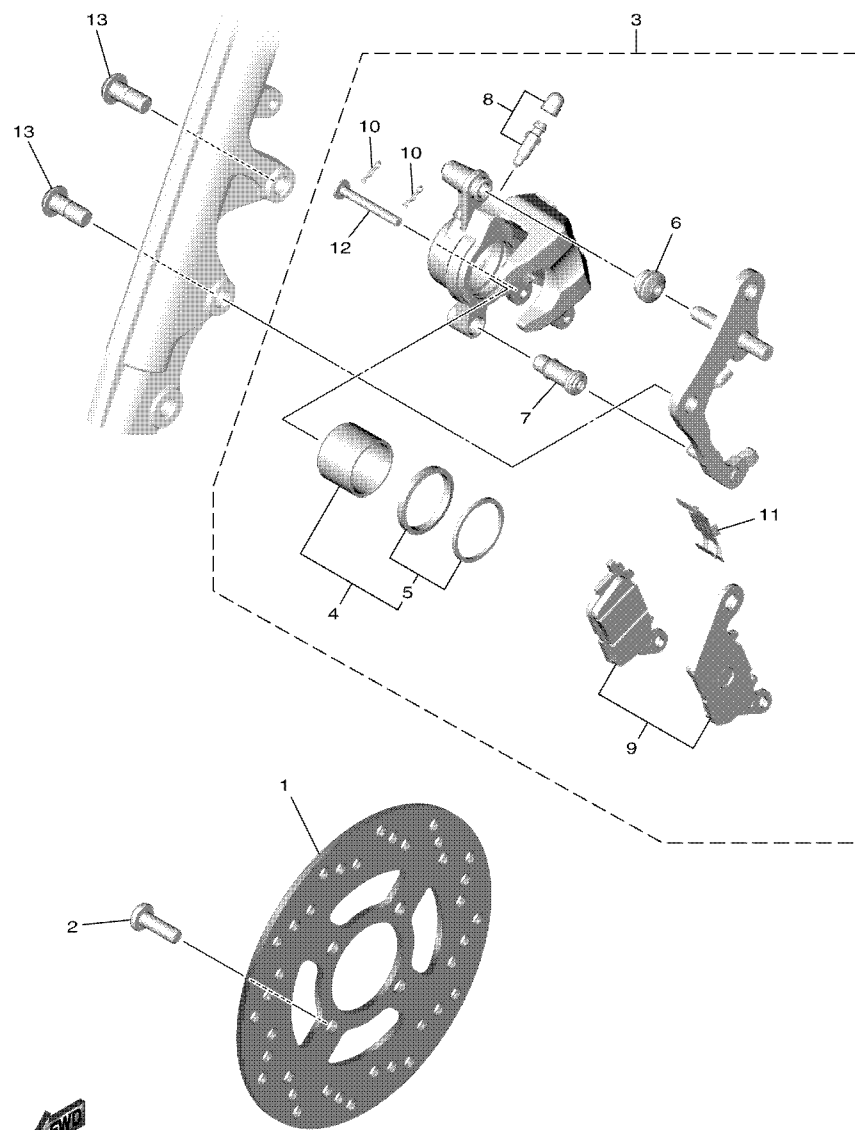
**FIG. 21 FRONT WHEEL**



REF. NO.	PART NO.	DESCRIPTION	BES1				REMARKS
1	1VB-F5168-00-33	CAST WHEEL, FRONT	1				YB
2	90560-10292	SPACER	1				
3	93106-20808	OIL SEAL	1				
4	93306-300X8	BEARING	2				
5	94107-14808	TIRE (70/90-14M/C 34P N)	1				KENDA
6	93900-00817	VALVE, RIM (TR412)	1				
7	90387-10277	COLLAR	1				
8	2SX-F5181-00	AXLE, WHEEL	1				
9	90185-10012	NUT, SELF-LOCKING	1				
10	90201-10831	WASHER, PLATE	1				
11	5TL-F5190-01	GEAR UNIT ASSY	1				



BES1440DW210



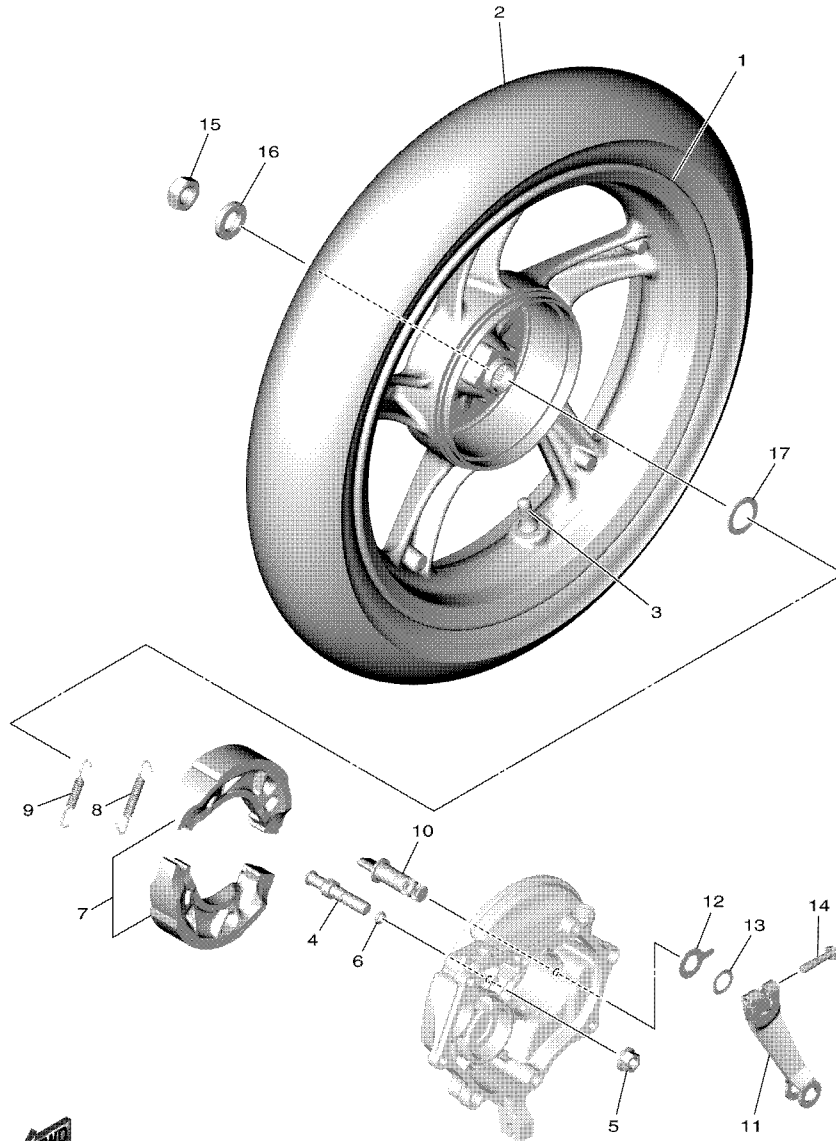
BES1440DW220

**FIG. 22 FRONT BRAKE CALIPER**

REF. NO.	PART NO.	DESCRIPTION	BES1				REMARKS
1	BES-F582U-00	DISK, BRAKE (RIGHT)	1				
2	90111-08853	BOLT,HEX. SOCKET BUTTON	4				
3	2SX-F580U-10	CALIPER ASSY (RIGHT)	1				
4	2BM-F5802-00	.PISTON ASSY, CALIPER	1				
5	5YP-F5803-50	..CALIPER SEAL KIT	1				
6	2BM-F5917-00	.BOOT, CALIPER	1				
7	5YP-F5937-00	.BOOT 2	1				
8	4C9-W0048-00	.BLEED SCREW KIT	1				
9	2BM-F5805-00	.BRAKE PAD KIT	1				
10	5YP-F5925-01	.CLIP	2				
11	2BM-F5919-00	.SUPPORT, PAD	1				
12	5YP-F5924-10	.PIN, PAD	1				
13	90105-10831	BOLT, FLANGE	2				

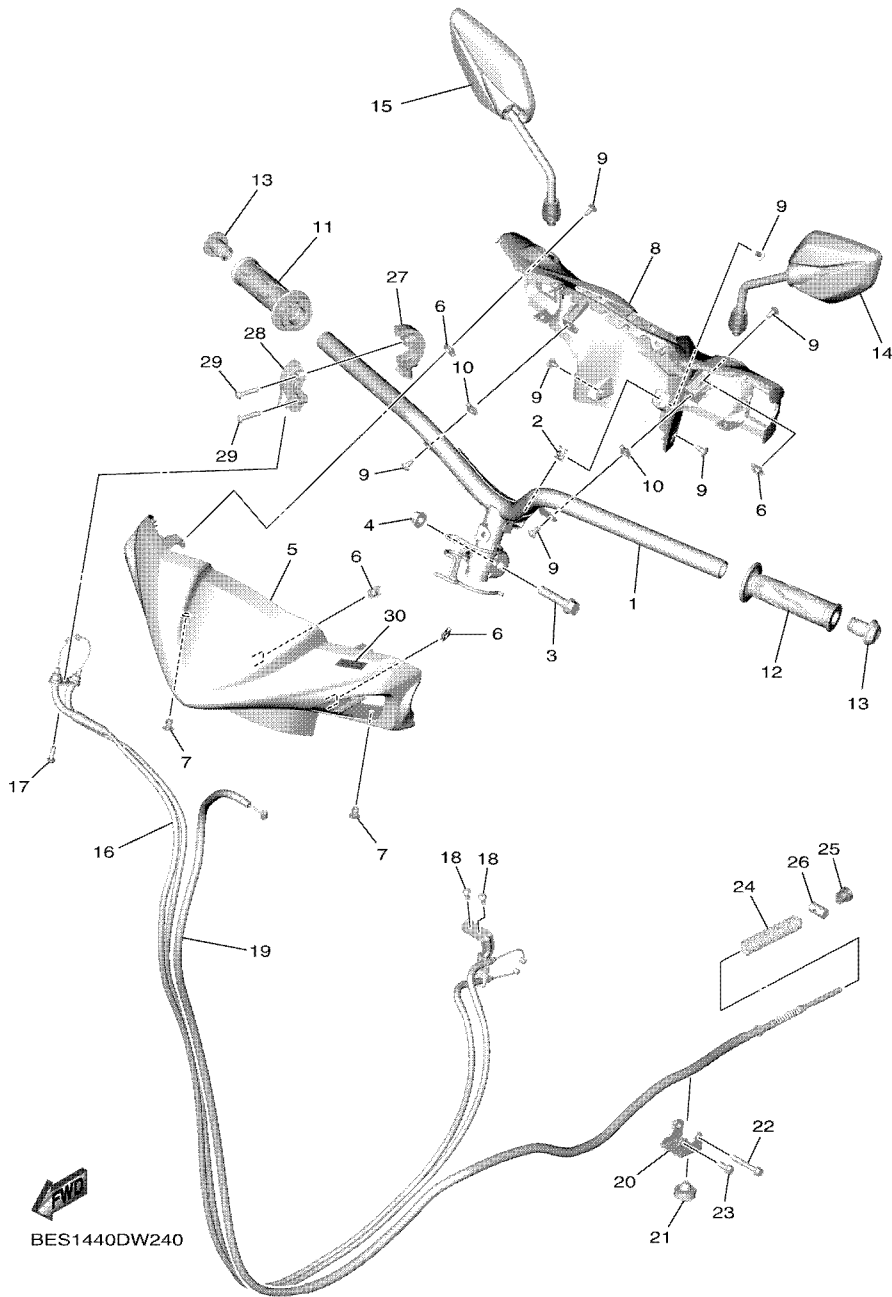


**FIG. 23 REAR WHEEL**



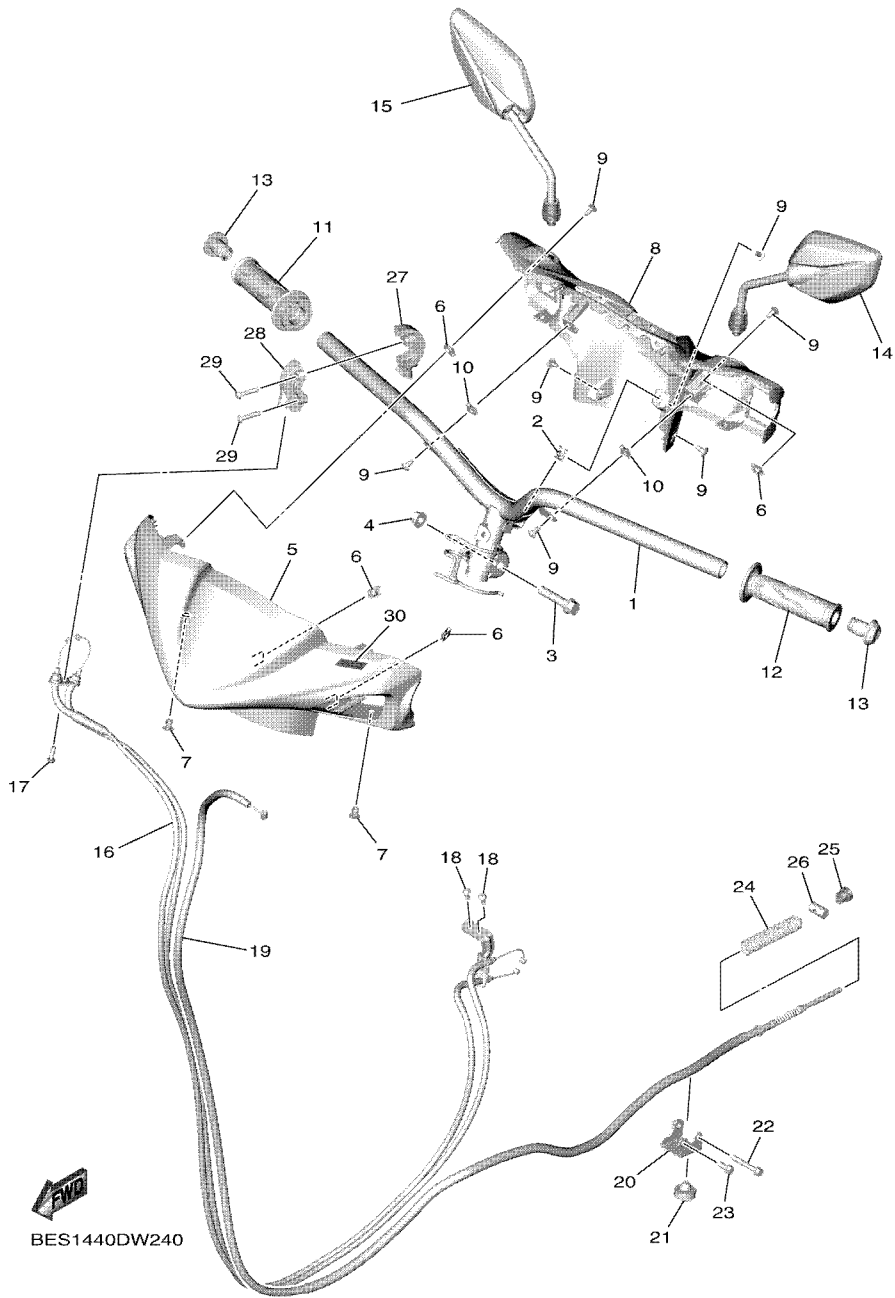
B3W1460DW230

REF. NO.	PART NO.	DESCRIPTION	BES1				REMARKS
1	44P-F5338-00-33	CAST WHEEL, REAR	1				YB
2	94109-14804	TIRE(90/80-14M/C 49P REINF N)	1				KENDA
3	93900-00817	VALVE, RIM (TR412)	1				
4	54P-F5326-00	PIN, PIVOT	1				
5	95702-10500	NUT, FLANGE	1				
6	93210-07802	O-RING	1				
7	5LW-F530K-00	BRAKE SHOE SET	1				
8	90506-12001	SPRING, TENSION	1				
9	90506-15001	SPRING, TENSION	1				
10	10C-F5351-00	CAMSHAFT	1				
11	B92-F5355-00	LEVER, CAMSHAFT	1				
12	5LW-F533A-00	PLATE, INDICATOR	1				
13	90206-14093	WASHER, WAVE	1				
14	90101-06046	BOLT	1				
15	90185-16800	NUT, SELF-LOCKING	1				
16	90201-16810	WASHER, PLATE	1				
17	90201-220J8	WASHER, PLATE	1				



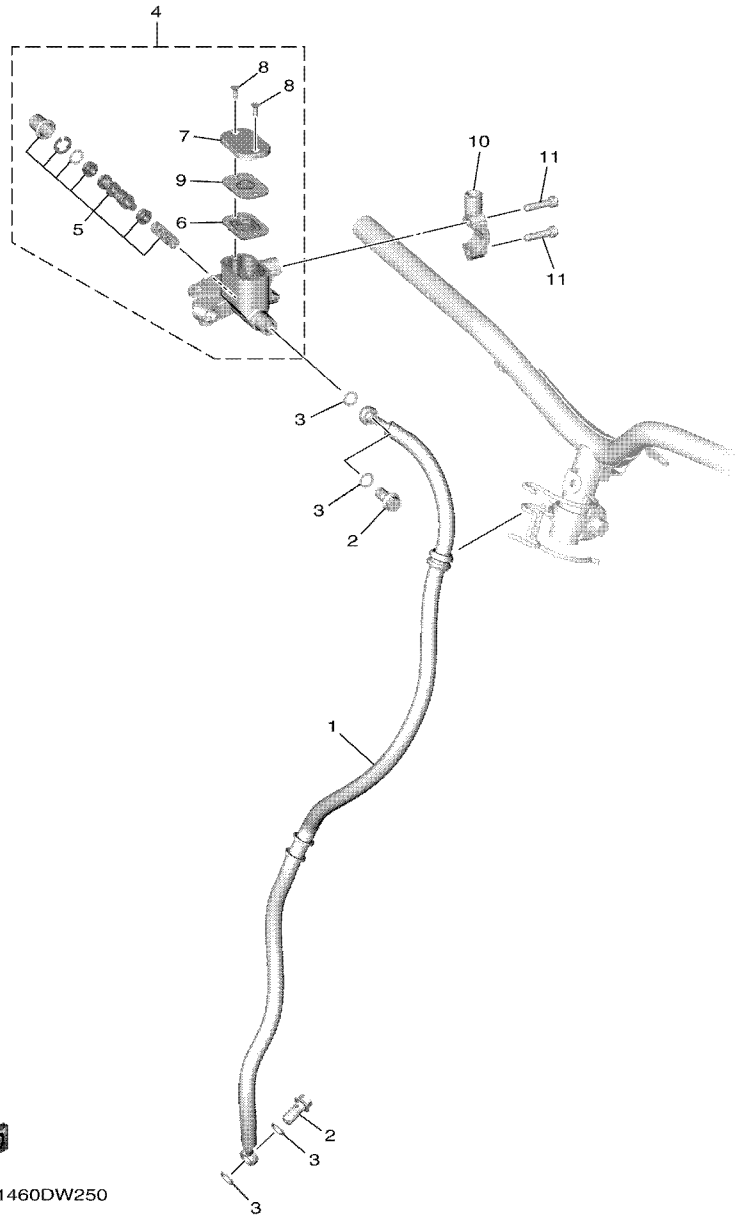
**FIG. 24 STEERING HANDLE & CABLE**

REF. NO.	PART NO.	DESCRIPTION	BES1				REMARKS
1	BES-F6110-00	HANDLE COMP.	1				
2	90183-05807	NUT, SPRING	1				
3	90105-10896	BOLT, FLANGE	1				
4	90185-10011	NUT, SELF-LOCKING	1				
5	BES-F6143-00-P0	COVER, HANDLE UPPER 1	1				UR FOR VPBC5
	BES-F6143-00-P1	COVER, HANDLE UPPER 1	1				UR FOR VRC1
	BES-F6143-00-P2	COVER, HANDLE UPPER 1	1				UR FOR MS1
6	90183-05807	NUT, SPRING	4				
7	90269-06816	RIVET	2				
8	BES-F6145-00	COVER, HANDLE UPPER 2	1				
9	97707-50012	SCREW, TRUSS HEAD TAPPING	7				
10	90183-05807	NUT, SPRING	2				
11	B92-F6240-00	GRIP ASSY	1				
12	1VP-F6241-00	GRIP	1				
13	B92-F6246-00	END, GRIP	2				
14	2WB-F6280-00	REAR VIEW MIRROR ASSY (LEFT)	1				
15	2WB-F6290-00	REAR VIEW MIRROR ASSY (RIGHT)	1				
16	BES-F6301-00	THROTTLE CABLE ASSY	1				
17	92012-05016	BOLT, BUTTON HEAD	1				
18	92012-05010	BOLT, BUTTON HEAD	2				
19	2SX-F6351-00	CABLE, BRAKE	1				
20	B92-F637G-00	HOLDER, WIRE	1				
21	B92-F6257-00	STOPPER	1				
22	95E32-06040	BOLT, FLANGE DEEP RECESS	1				
23	95E32-06014	BOLT, FLANGE DEEP RECESS	1				
24	90501-16003	SPRING, COMPRESSION	1				
25	90179-06411	NUT	1				



**FIG. 24 STEERING HANDLE & CABLE**

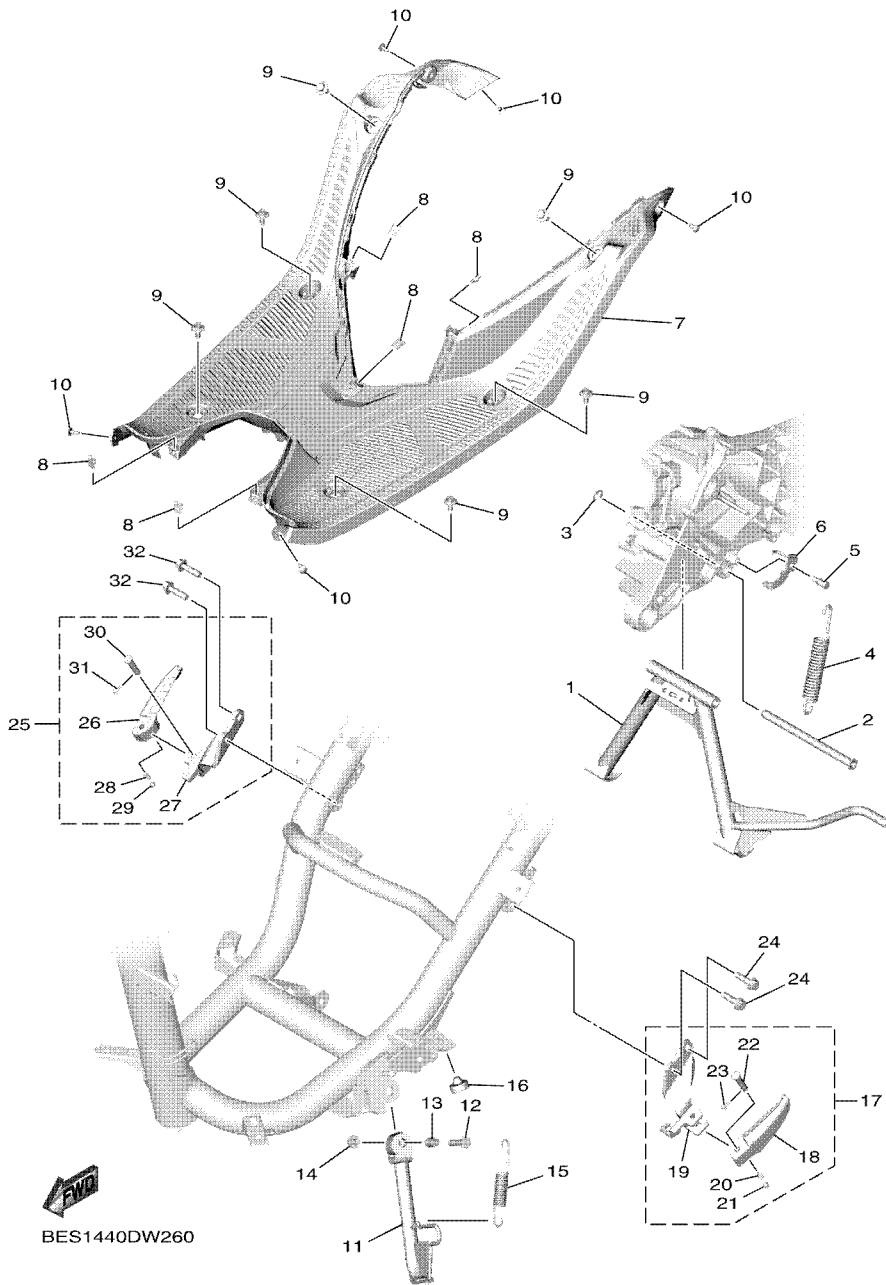
REF. NO.	PART NO.	DESCRIPTION	BES1				REMARKS
26	90249-12008	PIN	1				
27	55D-F6281-00	CAP, GRIP UPPER	1				
28	55D-F6282-00	CAP, GRIP UNDER	1				
29	98502-05025	SCREW, PAN HEAD	2				
30	B92-F1737-00	EMBLEM	1				
<hr/>							
<hr/>							
<hr/>							
<hr/>							
<hr/>							
<hr/>							
<hr/>							
<hr/>							
<hr/>							
<hr/>							
<hr/>							



B3W1460DW250

**FIG. 25 FRONT MASTER CYLINDER**

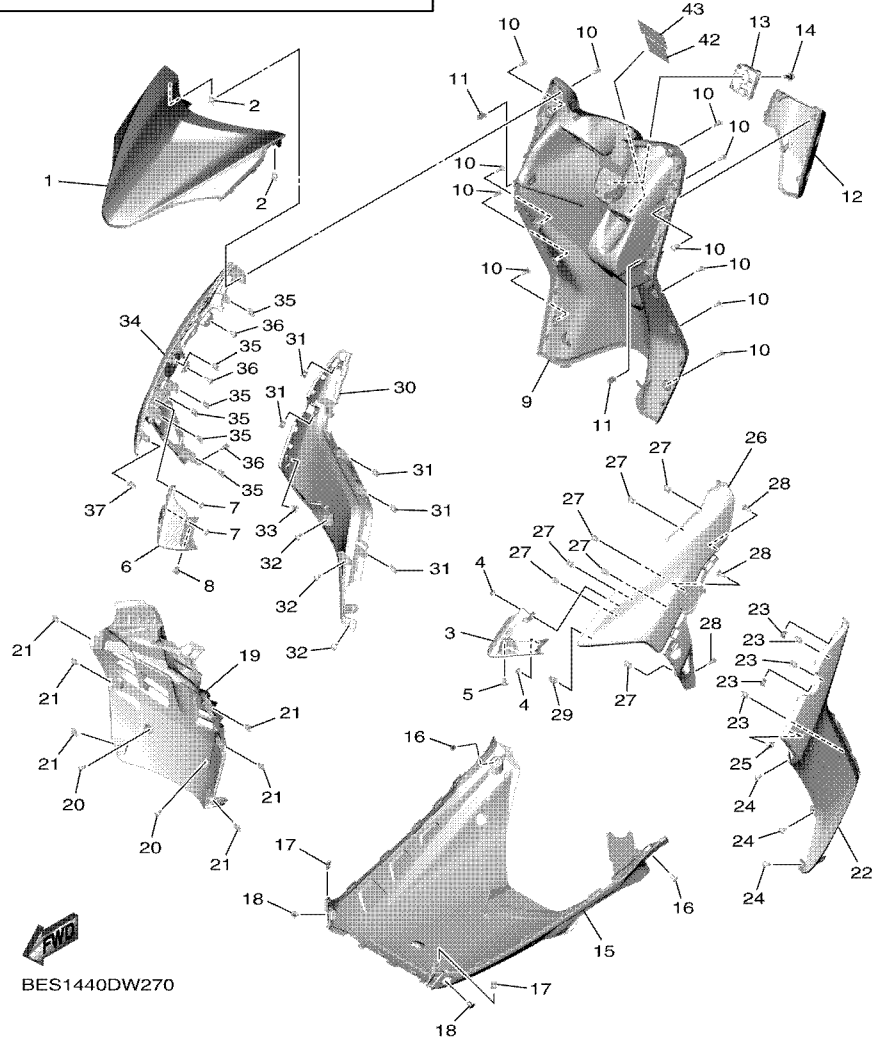
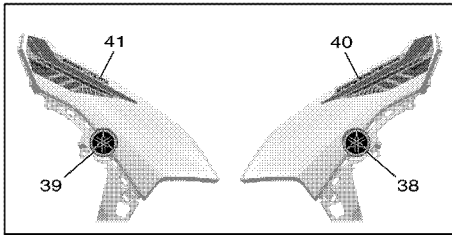
REF. NO.	PART NO.	DESCRIPTION	BES1				REMARKS
1	2SX-F5872-00	HOSE, BRAKE 1	1				
2	90401-10015	BOLT, UNION	2				
3	90201-10118	WASHER, PLATE	4				
4	5P0-F5807-00	MASTER CYLINDER SUB ASSY	1				
5	5P0-F580A-00	.CYLINDER KIT, MASTER	1				
6	5P0-F5854-00	.DIAPHRAGM, RESERVOIR	1				
7	5P0-F5852-00	.CAP, RESERVOIR	1				
8	36Y-2589H-00	.SCREW	2				
9	5P0-F5855-00	.BUSH,DIAPHRAGM	1				
10	B5D-F5867-00	BRACKET, MASTER CYLINDER	1				
11	91332-06025	BOLT	2				



**FIG. 26 STAND & FOOTREST**

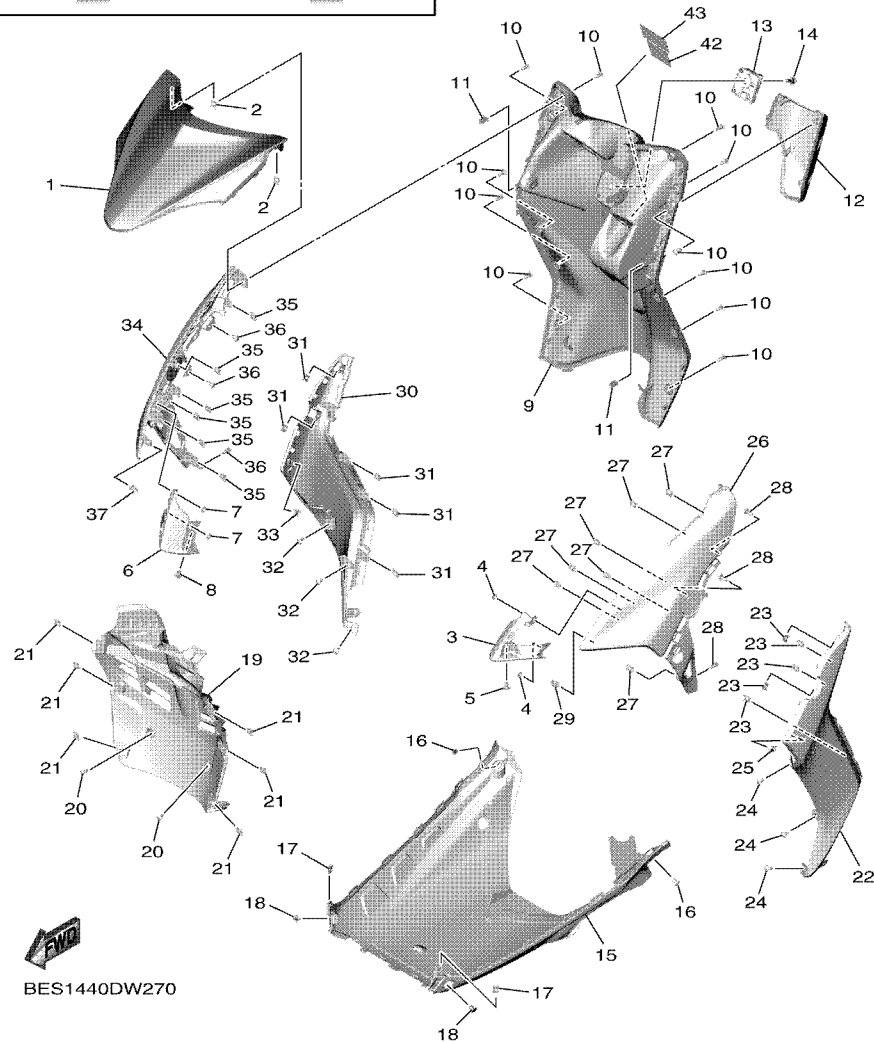
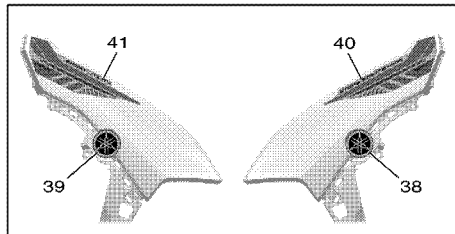
REF. NO.	PART NO.	DESCRIPTION	BES1				REMARKS
1	BES-F7111-00	STAND, MAIN	1				
2	2PH-F7112-00	SHAFT, MAIN STAND	1				
3	99002-09600	CIRCLIP	1				
4	90506-35821	SPRING, TENSION	1				
5	5LW-F7254-00	HOOK	1				
6	B92-F7267-00	GUIDE, WIRE	1				
7	BES-F7481-00	BOARD, FOOTREST	1				
8	90183-05807	NUT, SPRING	5				
9	90109-068B5	BOLT	6				
10	97707-50012	SCREW, TRUSS HEAD TAPPING	9				
11	BES-F7311-00	STAND, SIDE	1				
12	90101-08847	BOLT	1				
13	90387-08820	COLLAR	1				
14	95602-08200	NUT, U FLANGE	1				
15	90506-20514	SPRING, TENSION	1				
16	B92-F6257-00	STOPPER	1				
17	BES-F7430-00	REAR FOOTREST ASSY 1	1				
18	BES-F7431-00	.FOOTREST, REAR 1	1				
19	B92-F7432-00	.BRACKET 1	1				
20	90501-12743	.SPRING, COMPRESSION	1				
21	93501-04823	.BALL	1				
22	91701-08035	.PIN	1				
23	91401-25015	.PIN, COTTER	1				
24	95D02-08030	BOLT, FLANGE DEEP RECESS	2				
25	BES-F7440-00	REAR FOOTREST ASSY 2	1				
26	BES-F7441-00	.FOOTREST, REAR 2	1				
27	B92-F7442-00	.BRACKET 2	1				





**FIG. 27 LEG SHIELD**

REF. NO.	PART NO.	DESCRIPTION	BES1	REMARKS
1	BES-F8311-00	LEG SHIELD 1	1	
2	90183-05807	NUT, SPRING	2	
3	BES-F838D-00	COVER, HEADLIGHT 1	1	
4	90183-04005	NUT, SPRING	2	
5	90269-06816	RIVET	1	
6	BES-F838S-00	COVER, HEADLIGHT 2	1	
7	90183-04005	NUT, SPRING	2	
8	90269-06816	RIVET	1	
9	BES-F8312-00	LEG SHIELD 2	1	
10	97707-50016	SCREW, TRUSS HEAD TAPPING	14	
11	90464-07018	CLAMP	2	
12	BES-F836K-00	PANEL, INNER 1	1	
13	2BM-F8379-00	HOOK	1	
14	90109-06265	BOLT	1	
15	BES-F8385-00	COVER, LOWER	1	
16	97707-50012	SCREW, TRUSS HEAD TAPPING	2	
17	90183-05807	NUT, SPRING	2	
18	90269-06816	RIVET	2	
19	BES-F1552-00	FENDER, INNER	1	
20	97707-50012	SCREW, TRUSS HEAD TAPPING	2	
21	90183-05807	NUT, SPRING	6	
22	BES-F8345-00	MOLE 1	1	
23	90183-05807	NUT, SPRING	5	
24	97707-50012	SCREW, TRUSS HEAD TAPPING	3	
25	90464-04801	CLAMP	1	
26	BES-F835U-00-P0	PANEL 1	1	UR FOR VPBC5
	BES-F835U-00-P1	PANEL 1	1	UR FOR VRC1



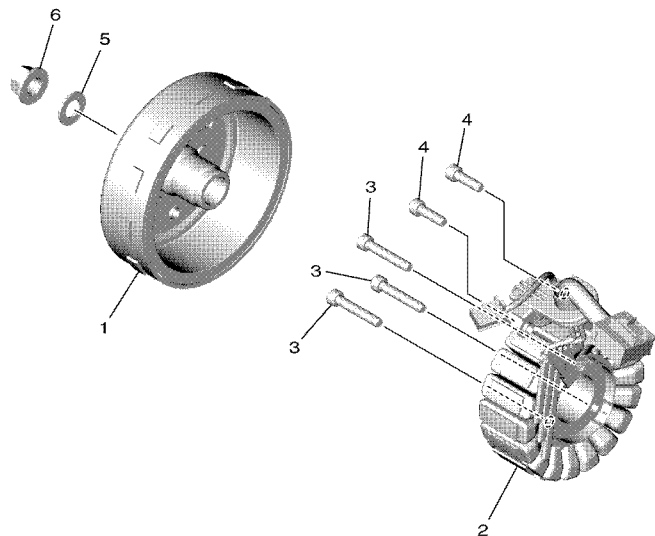
**FIG. 27 LEG SHIELD**

REF. NO.	PART NO.	DESCRIPTION	BES1				REMARKS
26	BES-F835U-00-P2	PANEL 1	1				UR FOR MS1
27	90183-05807	NUT, SPRING	7				
28	97707-50016	SCREW, TRUSS HEAD TAPPING	3				
29	90464-07018	CLAMP	1				
30	BES-F8346-00	MOLE 2	1				
31	90183-05807	NUT, SPRING	5				
32	97707-50012	SCREW, TRUSS HEAD TAPPING	3				
33	90464-04801	CLAMP	1				
34	BES-F835V-00-P0	PANEL 2	1				UR FOR VPBC5
	BES-F835V-00-P1	PANEL 2	1				UR FOR VRC1
	BES-F835V-00-P2	PANEL 2	1				UR FOR MS1
35	90183-05807	NUT, SPRING	7				
36	97707-50016	SCREW, TRUSS HEAD TAPPING	3				
37	90464-07018	CLAMP	1				
38	5P2-F839B-00	EMBLEM 3D	1				
39	5P2-F839B-00	EMBLEM 3D	1				
40	BES-F8391-00	GRAPHIC 1	1				UR FOR VPBC5
	BES-F8391-10	GRAPHIC 1	1				UR FOR VRC1
	BES-F8391-20	GRAPHIC 1	1				UR FOR MS1
41	BES-F8392-00	GRAPHIC 2	1				UR FOR VPBC5
	BES-F8392-10	GRAPHIC 2	1				UR FOR VRC1
	BES-F8392-20	GRAPHIC 2	1				UR FOR MS1
42	BF4-F1568-00	LABEL, WARNING	1				
43	B92-F1668-00	LABEL, TIRE	1				



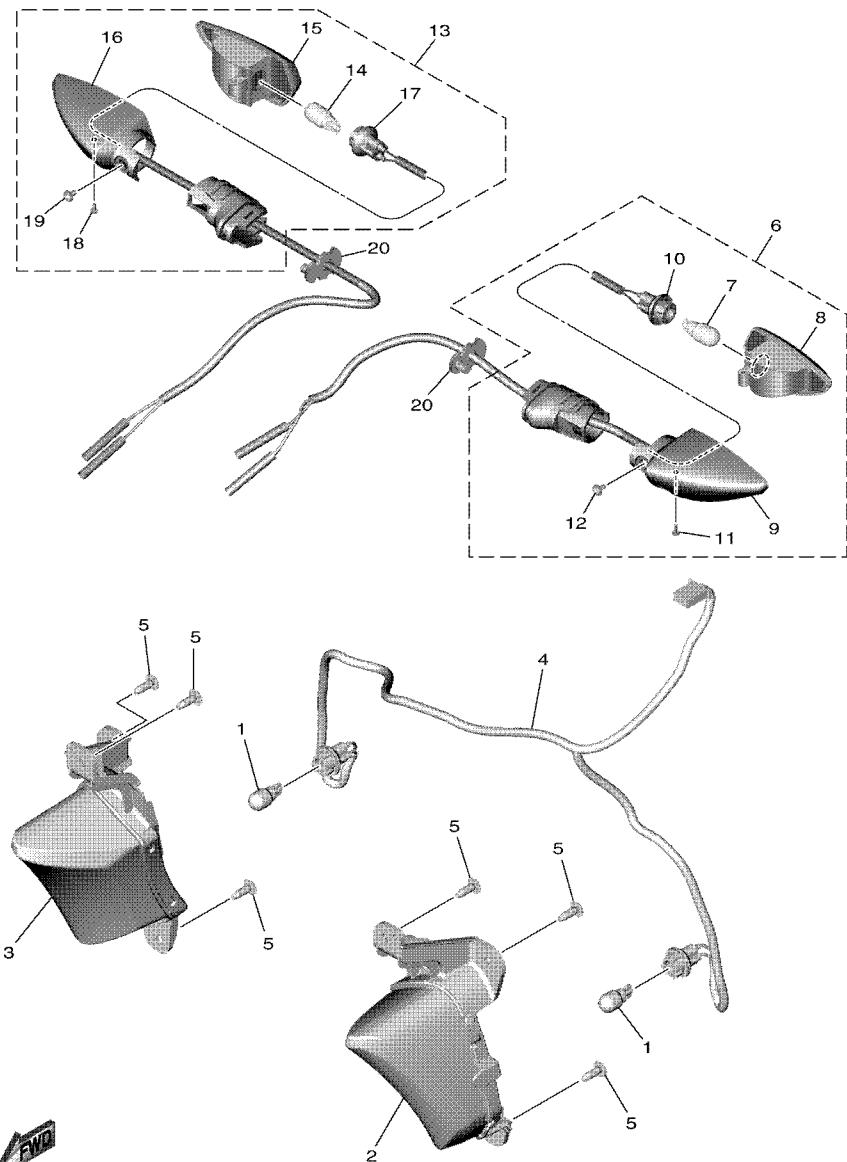
**FIG. 28 GENERATOR**

REF. NO.	PART NO.	DESCRIPTION	BES1				REMARKS
1	B5D-H1450-00	ROTOR ASSY	1				
2	B5D-H1410-10	STATOR ASSY	1				
3	91332-06035	BOLT	3				
4	91332-06020	BOLT	2				
5	90201-12823	WASHER, PLATE	1				
6	90179-12004	NUT	1				



B3W1460DW280

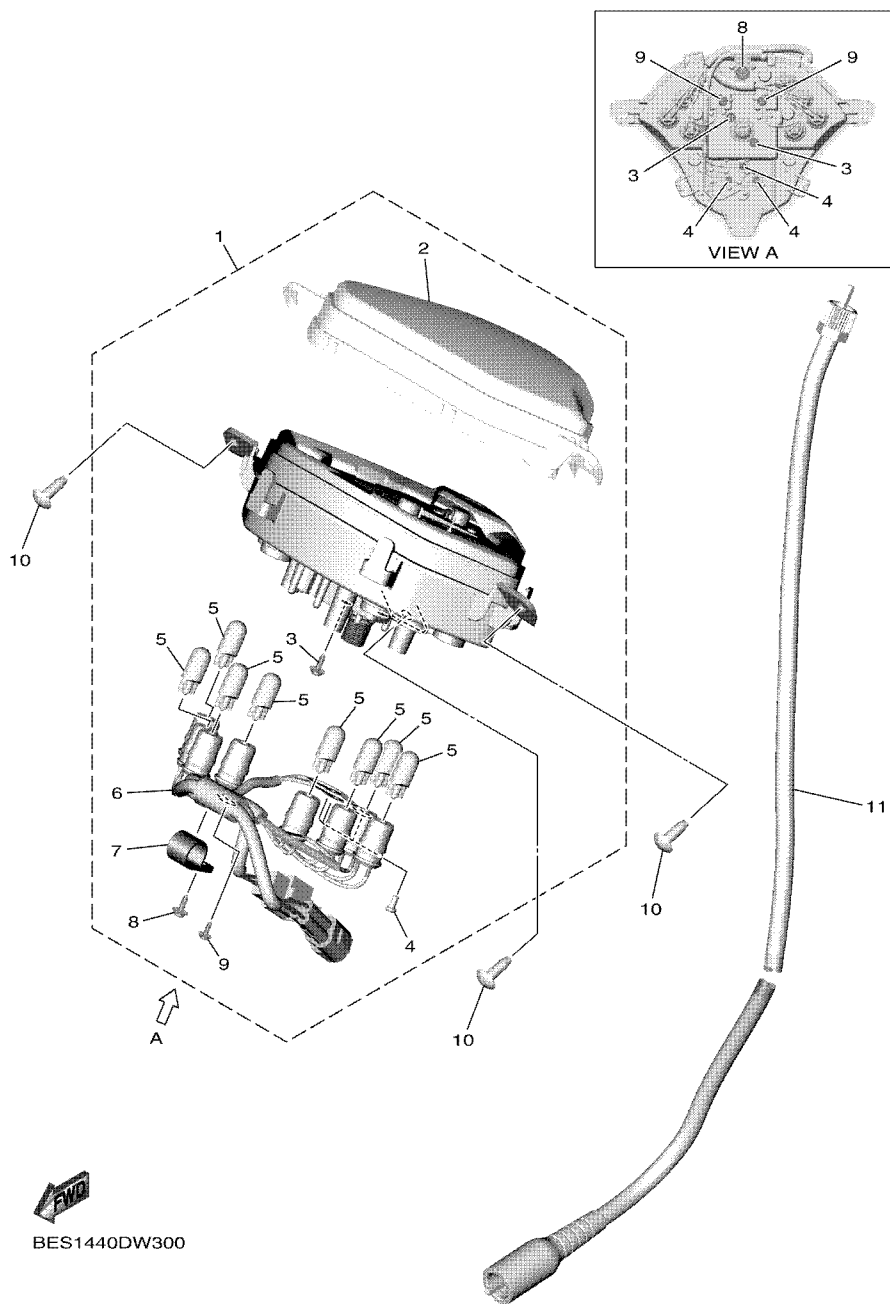
**FIG. 29 FLASHER LIGHT**



BES1440DW290

REF. NO.	PART NO.	DESCRIPTION	BES1				REMARKS
1	55D-H3311-00	BULB, FLASHER (12V-10W)	2				
2	BES-H3310-00	FRONT FLASHER LIGHT ASSY 1	1				
3	BES-H3320-00	FRONT FLASHER LIGHT ASSY 2	1				
4	BES-H331E-00	CORD ASSY	1				
5	97707-50016	SCREW, TRUSS HEAD TAPPING	6				
6	55D-H3330-01	REAR FLASHER LIGHT ASSY 1	1				
7	55D-H3311-00	.BULB, FLASHER (12V-10W)	1				
8	55D-H333A-00	.LENS COMP 1	1				
9	55D-H3323-00	.BODY	1				
10	55D-H333E-01	.CORD ASSY	1				
11	55D-H3333-00	.SCREW, LENS FITTING	1				
12	55D-H3358-00	.SCREW, SPECIAL	1				
13	55D-H3340-01	REAR FLASHER LIGHT ASSY 2	1				
14	55D-H3311-00	.BULB, FLASHER (12V-10W)	1				
15	55D-H334A-00	.LENS COMP 2	1				
16	55D-H332M-00	.BODY 2	1				
17	55D-H334E-01	.CORD ASSY	1				
18	55D-H3333-00	.SCREW, LENS FITTING	1				
19	55D-H3358-00	.SCREW, SPECIAL	1				
20	1VP-H3318-00	STAY, FLASHER 1	2				

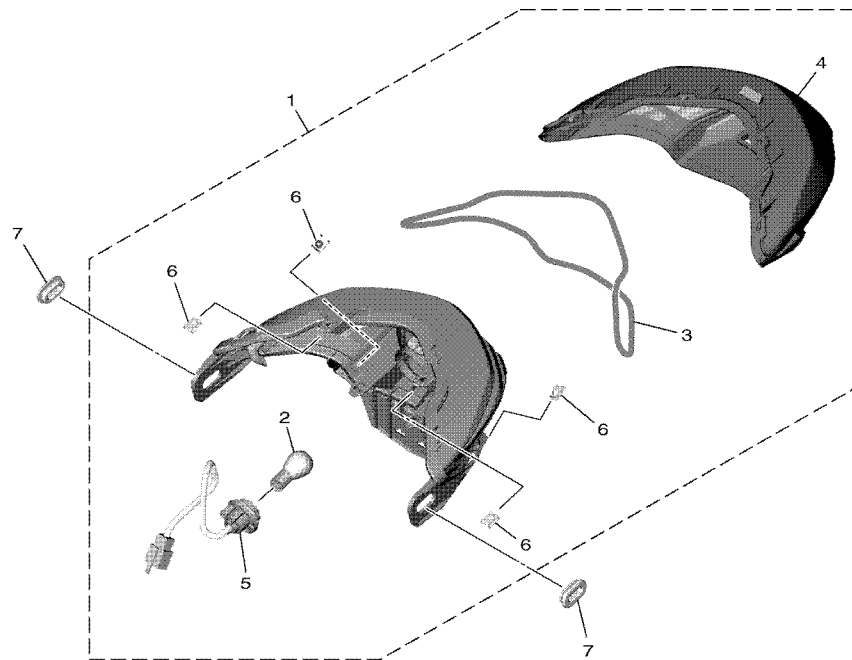
**FIG. 30 METER**



REF. NO.	PART NO.	DESCRIPTION	BES1				REMARKS
1	BES-H3510-00	SPEEDOMETER ASSY	1				
2	BES-H3511-00	.LENS, SPEEDOMETER	1				
3	1VP-H3358-00	.SCREW, SPECIAL	2				
4	1VP-H3645-00	.SCREW	3				
5	5LW-H3518-00	.BULB, METER (T10 12V-1.7W)	8				
6	BES-H3509-00	.SOCKET CORD ASSY	1				
7	1VP-H357E-00	.CLAMP	1				
8	97702-40012	.SCREW, TAPPING	1				
9	1VB-H652Y-00	.SCREW	2				
10	97707-50016	SCREW, TRUSS HEAD TAPPING	3				
11	2BR-H3550-00	SPEEDOMETER CABLE ASSY	1				



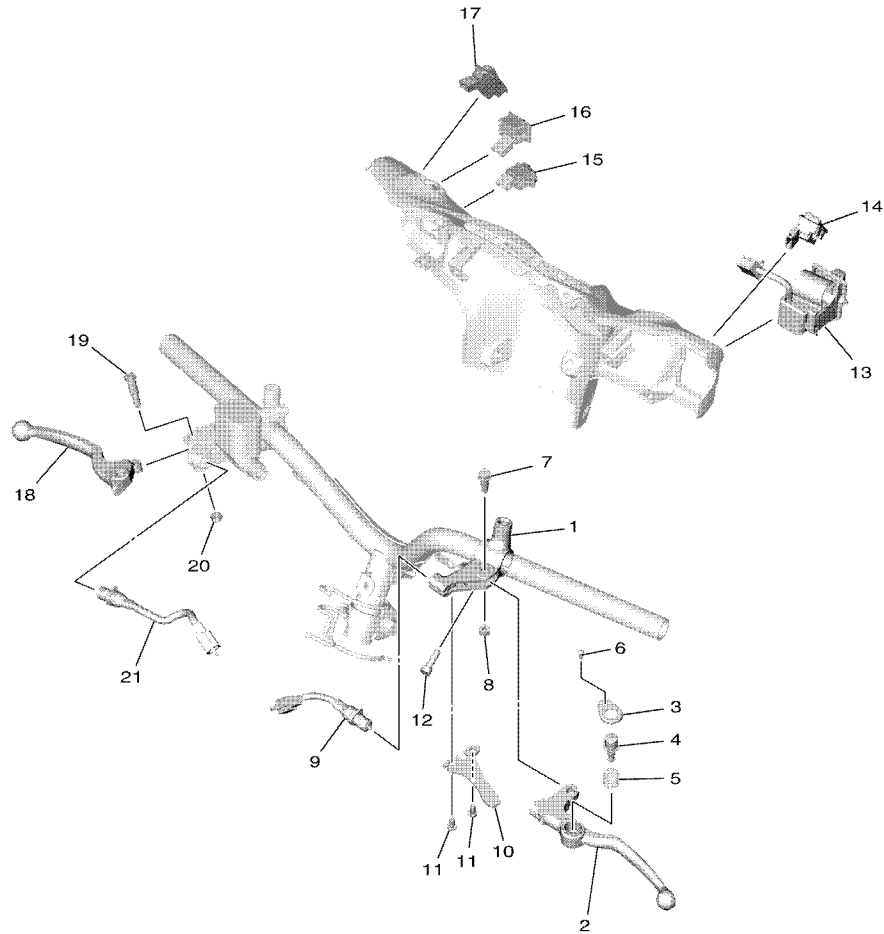
**FIG. 32 TAILLIGHT**



REF. NO.	PART NO.	DESCRIPTION	BES1				REMARKS
1	BES-H4710-00	TAILLIGHT UNIT ASSY	1				
2	1VP-H4714-00	.BULB, TAILLIGHT (12V-21/5W)	1				
3	BES-H4723-00	.GASKET, TAIL LENS	1				
4	BES-H4721-00	.LENS, TAILLIGHT	1				
5	BES-H4735-00	.SOCKET CORD ASSY	1				
6	90183-05807	.NUT, SPRING	4				
7	BES-H4759-00	GROMMET	2				



BES1440DW320



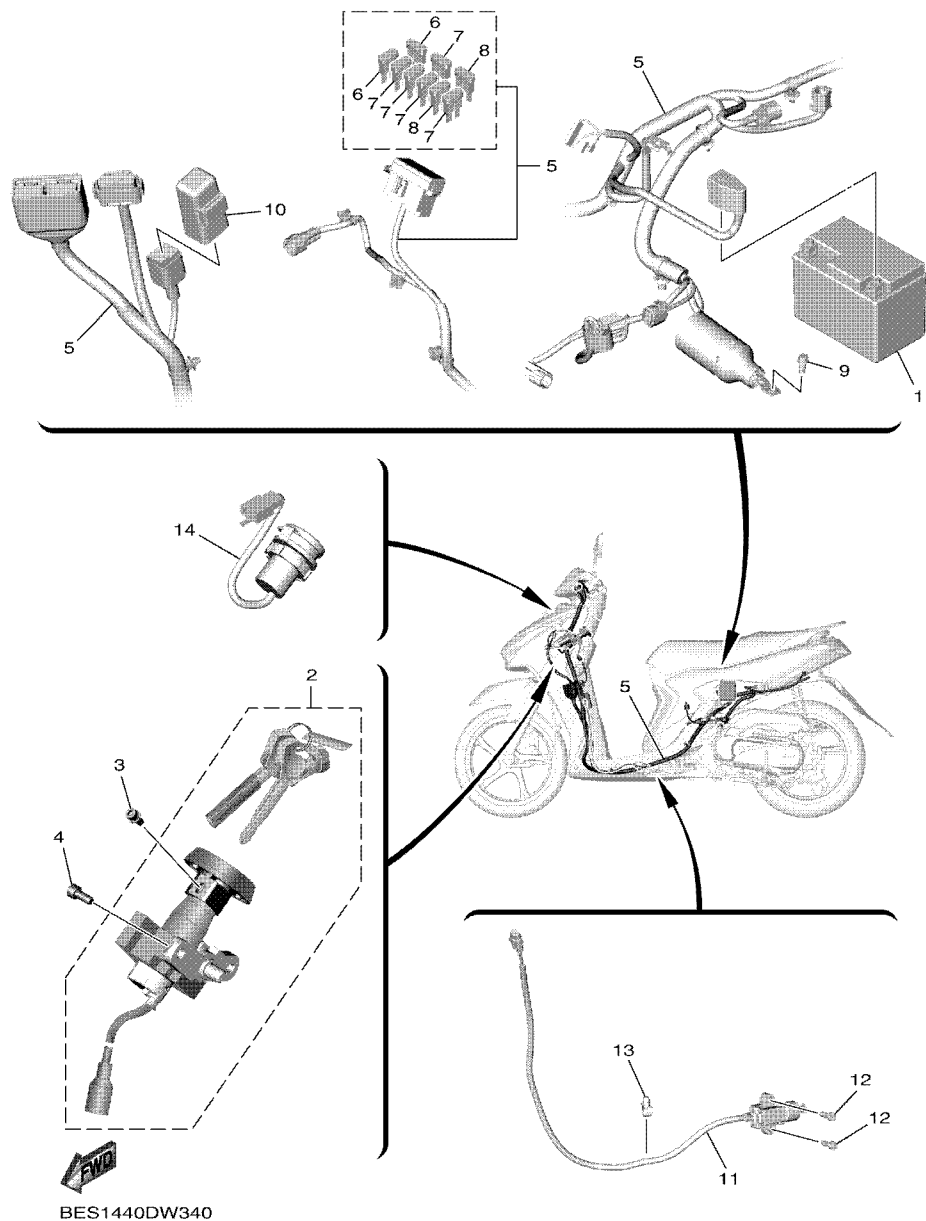
**FIG. 33 HANDLE SWITCH & LEVER**

REF. NO.	PART NO.	DESCRIPTION	BES1				REMARKS
1	1LB-H2911-20	HOLDER, LEVER 1	1				
2	1LB-H3912-00	LEVER 1	1				
3	1LB-H3935-00	COVER	1				
4	1LB-H3967-00	PIN, LOCK 1	1				
5	40D-H3962-00	SPRING	1				
6	40D-H396X-00	SCREW, LEVER FITTING	1				
7	90109-06798	BOLT	1				
8	95602-06100	NUT, SELF-LOCKING	1				
9	1LB-H3980-00	FRONT STOP SWITCH ASSY	1				
10	1LB-H2556-00	DAMPER, STOPPER	1				
11	98502-05010	SCREW, PAN HEAD	2				
12	91332-06020	BOLT	1				
13	B5D-H3975-00	SWITCH, HANDLE 2	1				
14	B5D-H276A-00	DIMMER SWITCH COMP.	1				
15	B5D-H279A-00	STARTER SWITCH COMP.	1				
16	B5D-H3362-00	HAZARD FLASHER SWITCH	1				
17	B5D-H277A-00	IDELE STOP SW.COMP	1				
18	5TL-H3922-00	LEVER 2	1				
19	90109-06255	BOLT	1				
20	95602-06100	NUT, SELF-LOCKING	1				
21	54P-H3980-00	FRONT STOP SWITCH ASSY	1				

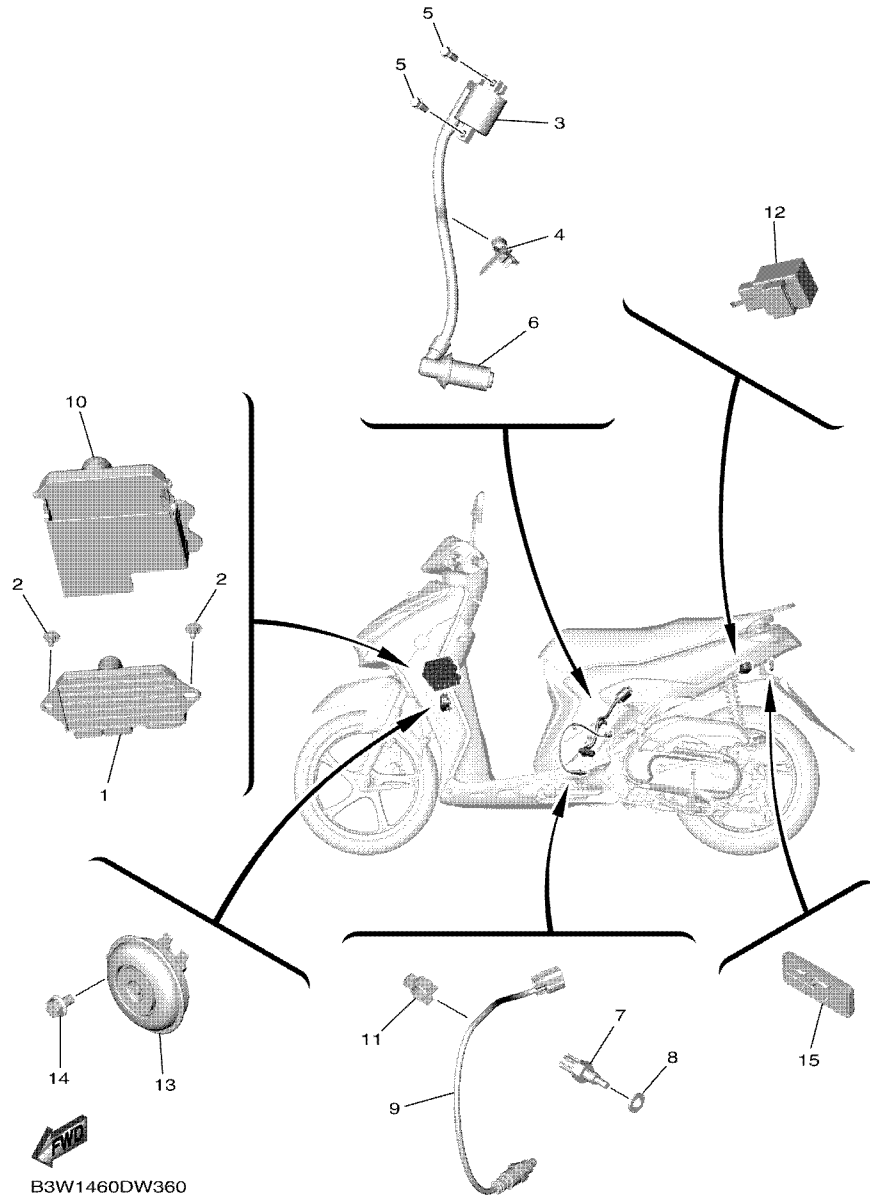


BES1440DW330

**FIG. 34 ELECTRICAL 1**



REF. NO.	PART NO.	DESCRIPTION	BES1				REMARKS
1	BBM-H2100-00	BATTERY ASSY (YUASA YTZ6V)	1				
2	BES-XH250-00	MAIN SW. STRG. LOCK SUB ASSY	1				
3	97602-05208	SCREW, PAN HEAD WITH WASHER	1				
4	90111-06162	BOLT,HEX. SOCKET BUTTON	2				
5	BES-H2590-00	WIRE HARNESS ASSY	1				
6	BAX-H2151-90	.FUSE (5A)	2				
7	BES-H2151-00	.FUSE (7.5A)	5				
8	BAX-H2151-20	.FUSE (20A)	2				
9	95E32-06012	BOLT, FLANGE DEEP RECESS	1				
10	5TP-H1940-00	STARTER RELAY ASSY	1				
11	1LB-H2566-01	SWITCH, SIDE STAND	1				
12	91312-05016	BOLT, HEXAGON SOCKET HEAD	2				
13	90464-07805	CLAMP	1				
14	B6H-H254B-00	TERMINAL COMP.	1				



B3W1460DW360

FIG. 35 ELECTRICAL 2

REF. NO.	PART NO.	DESCRIPTION	BES1				REMARKS
1	B3W-H594A-10	STARTER GEN. CONT. UNIT ASSY	1				
2	90109-068B4	BOLT	2				
3	2PH-H2310-01	IGNITION COIL ASSY	1				
4	90464-12810	CLAMP	1				
5	95E32-06016	BOLT, FLANGE DEEP RECESS	2				
6	2PH-H2370-10	PLUG CAP ASSY	1				
7	52B-H3591-00	THERMO UNIT	1				
8	90430-10806	GASKET	1				
9	2DP-H592A-20	SENSOR, OXYGEN	1				
10	B3W-H246B-00	COVER 1	1				
11	90464-16807	CLAMP	1				
12	3XV-83350-22	FLASHER RELAY ASSY	1				
13	2PH-H3371-00	HORN	1				
14	95D02-06010	BOLT, FLANGE DEEP RECESS	1				
15	55D-H5130-00	REAR REFLECTOR ASSY	1				UR Either can use
	BE1-H5130-00	REAR REFLECTOR ASSY	1				UR Either can use



NUMERICAL INDEX

PART NO.	REF. NO.	PART NO.	REF. NO.	PART NO.	REF. NO.	PART NO.	REF. NO.	PART NO.	REF. NO.	PART NO.	REF. NO.
1PM-14216-00	7 - 19	1GC-E3411-00	5 - 5	B5D-E5451-00	10 - 2	2SX-E7684-00	12 - 23	10C-F2210-30	17 - 1	2SX-F478E-10	20 - 17
36Y-2589H-00	25 - 8	5LW-E3452-00	2 - 6	B5D-E5453-00	9 - 25	BES-F1110-00	14 - 1	B92-F3100-00	18 - 1	1VB-F5168-00-33	21 - 1
3XV-83350-22	35 - 12	BF4-E3475-00	5 - 2	B5D-E5461-00	9 - 32	BES-F1161-00	18 - 34	B92-F3110-00	18 - 8	2SX-F5181-00	21 - 8
BES-E1102-00	1 - 1	B5D-E3556-00	7 - 3	B5D-E5463-10	9 - 26	BES-F1288-00	14 - 14	1FC-F3111-10	18 - 19	5TL-F5190-01	21 - 11
B7J-E111F-00	4 - 4	B5D-E3557-00	7 - 14	B3W-E5471-00	10 - 11	2PH-F1410-20	14 - 3	B92-F3126-00	18 - 5	5LW-F530K-00	23 - 7
2PH-E112F-00	4 - 5	5LW-E3569-00	6 - 12	B5D-E5472-00	10 - 13	54P-F1459-00	14 - 5	B92-F3136-00	18 - 2	54P-F5326-00	23 - 4
1DR-E1133-10	1 - 2	2PH-E3585-10	7 - 1	B5D-E5601-00	11 - 1	BJ7-F1459-00	14 - 5	B92-F3141-00	18 - 15	44P-F5338-00-33	23 - 1
B5D-E1166-00	7 - 37	2PH-E3593-01	7 - 5	2BL-E5620-10	11 - 7	BES-F1511-00-P0	15 - 1	5LL-F3144-00	18 - 14	5LW-F533A-00	23 - 12
2TS-E1181-00	1 - 12	2PH-E3595-00	7 - 2	B5D-E5630-00	11 - 9	BES-F1511-00-P1	15 - 1	4UV-F3145-00	18 - 3	10C-F5351-00	23 - 10
B5D-E1191-01	1 - 7	B5D-E3750-00	7 - 17	5MX-E5657-00	12 - 36	BES-F1511-00-P2	15 - 1		18 - 6	B92-F5355-00	23 - 11
B5D-E1193-00	1 - 9	2PH-E3761-10	7 - 9	B5D-E5659-00	10 - 6	15K-F1518-00	15 - 3	2JG-F3147-00	18 - 20	2BM-F5802-00	22 - 4
2PH-E1311-10	1 - 16	5LW-E3769-00	9 - 20	5MX-E5673-00	11 - 10	BES-F1552-00	27 - 19	5TF-F3152-00	18 - 11	5YP-F5803-50	22 - 5
B5D-E1351-00	1 - 17	2PH-E3770-10	7 - 8	2DP-E5744-00	12 - 27	BF4-F1568-00	27 - 42	31D-F3153-00	18 - 21	2BM-F5805-00	22 - 9
BES-E1400-00	2 - 1	B3W-E3907-11	19 - 5	2PH-E6111-00	12 - 1	BES-F1611-00	15 - 4	5P0-F3156-00	18 - 4	5P0-F5807-00	25 - 4
B5D-E1422-00	2 - 5	54P-E3915-00	19 - 6	2PH-E6111-10	12 - 1	BES-F1621-00	15 - 6		18 - 7	5P0-F580A-00	25 - 5
2PH-E1603-10	2 - 13	54P-E3938-00	7 - 12	2SX-E6611-00	12 - 29	B92-F1668-00	27 - 43	2JG-F3157-00	18 - 10	2SX-F580U-10	22 - 3
2PH-E1631-00	2 - 10	2PH-E3971-02	19 - 4	2SX-E6620-10	12 - 11	BES-F1711-00-P0	16 - 3	509-F3158-L0	18 - 12	BES-F582U-00	22 - 1
2PH-E1633-00	2 - 11	54P-E4137-00	7 - 13	2DS-E6626-00	12 - 13	BES-F1711-00-P1	16 - 3	B92-F3170-00	18 - 9	5P0-F580A-00	25 - 7
2PH-E1651-20	2 - 4	2PH-E4146-00	7 - 20	54P-E6629-00	12 - 12	BES-F1711-00-P2	16 - 3	31D-F3181-50	18 - 13	5P0-F5854-00	25 - 6
2BM-E1681-10	2 - 2	54P-E4147-00	7 - 10	54P-E6819-00	12 - 14	BES-F1716-00	16 - 23	B92-F3340-00	18 - 16	5P0-F5855-00	25 - 9
2PH-E2111-00	3 - 1	5CA-E4147-00	7 - 11	2PH-E7211-20	13 - 5	BES-F171E-00	16 - 21	4D0-F3346-00	18 - 18	B5D-F5867-00	25 - 10
B5D-E2113-10	3 - 4	B5D-E4411-00	7 - 21	2PH-E7211-30	13 - 5	BES-F1721-00-P0	16 - 9	4FP-F3411-10	18 - 17	2SX-F5872-00	25 - 1
2DP-E2117-00	3 - 6	B5D-E4412-00	7 - 22	2PH-E7211-40	13 - 5	BES-F1721-00-P1	16 - 9	4RT-F3411-10	18 - 25	B92-F5875-00	18 - 30
B63-E2117-01	3 - 6	2PH-E4437-00	7 - 23	B5D-E7410-00	13 - 1	BES-F1721-00-P2	16 - 9	1KL-F3412-10	18 - 22	B92-F5876-00	18 - 32
5TL-E2118-00	3 - 5	4ST-E443E-00	10 - 4	B5D-E7410-10	13 - 1	BES-F1726-00	16 - 26	4RT-F3412-10	18 - 24	2BM-F5917-00	22 - 6
54P-E2119-00	3 - 3	5TL-E443E-00	7 - 30	B5D-E7410-20	13 - 1	BES-F172W-00	16 - 1	54P-F3415-00	18 - 28	2BM-F5919-00	22 - 11
B5D-E2121-00	3 - 2	B5D-E443G-00	7 - 27	B5D-E7410-30	13 - 1	BES-F1731-00	16 - 15	2WB-F3416-00	18 - 27	5YP-F5924-10	22 - 12
50C-E2126-00	3 - 7	B5D-E4450-00	7 - 24	B5D-E7410-40	13 - 1	B92-F1737-00	24 - 30	1P6-F341E-10	18 - 26	5YP-F5925-01	22 - 10
2PH-E2146-00	3 - 11	B5D-E4452-10	7 - 26	B5D-E7421-00	13 - 4	BES-F1737-00	16 - 29	5VL-F341E-10	18 - 23	5YP-F5937-00	22 - 7
2PH-E2151-01	3 - 8	B5D-E4453-00	7 - 25	2SX-E7465-00	12 - 17			B92-F4110-00	19 - 1	BES-F6110-00	24 - 1
B5D-E2157-00	4 - 16	B92-E4613-00	8 - 4	2SX-E7465-10	12 - 18	BES-F1737-10	16 - 29	5D9-F414G-00	14 - 2	BES-F6143-00-P0	24 - 5
33S-E2159-01	3 - 10	BES-E4711-00	8 - 1	2SX-E7465-20	12 - 19				19 - 2	BES-F6143-00-P1	24 - 5
BES-E2170-00	4 - 1	BES-E4718-00	8 - 2	44D-E7611-00	12 - 10	BES-F1737-20	16 - 29	B92-F414G-00	19 - 12	BES-F6143-00-P2	24 - 5
B5D-E2176-00	4 - 8	BES-E5150-00	9 - 1	2SX-E7620-00	12 - 5			54P-F414G-10	19 - 8	BES-F6145-00	24 - 8
2PV-E2210-01	4 - 12	2PH-E5155-01	9 - 2	2SX-E7623-10	12 - 7	BES-F173E-00	16 - 31	BES-F41B1-00	19 - 11	B92-F6240-00	24 - 11
B5D-E2213-00	4 - 14	B5D-E5191-00	10 - 7	2PH-E7632-20	12 - 6	BES-F173E-10	16 - 31	B92-F4491-00	19 - 9	1VP-F6241-00	24 - 12
5MX-E2222-00	4 - 13	54P-E5351-01	5 - 4	2PH-E7641-00	12 - 30	BES-F173E-20	16 - 31	4YY-F4610-00	19 - 16	B92-F6246-00	24 - 13
54P-E2231-00	4 - 10	B5D-E5362-00	9 - 19	2SX-E7644-10	12 - 24	BES-F173F-00	16 - 32	4YY-F4612-00	19 - 17	B92-F6257-00	24 - 21
B5D-E2241-00	4 - 11	5LW-E5363-00	9 - 17	2SX-E7653-00	12 - 8	BES-F173F-10	16 - 32	BES-F470F-00	20 - 2		
2PH-E2611-10	6 - 10	54P-E5371-00	9 - 6	2SX-E7660-10	12 - 15	BES-F173F-20	16 - 32	2WB-F4727-00	20 - 12	2WB-F6280-00	24 - 14
B5D-E2651-00	6 - 1			2DP-E7664-00	12 - 20	BES-F1741-00	16 - 18	B92-F472T-00	20 - 16	55D-F6281-00	24 - 27
B5D-E2652-00	6 - 3	2SX-E5373-00	9 - 7	2DP-E7668-00	12 - 25	BES-F174G-00	16 - 33	BES-F4730-00	20 - 1	55D-F6282-00	24 - 28
B5D-E2653-00	6 - 4	2PH-E5407-00	10 - 14	2SX-E7670-00	12 - 16	BES-F174G-10	16 - 33	BES-F473R-00	20 - 5	2WB-F6290-00	24 - 15
B5D-E2658-00	6 - 2	BES-E5411-00	10 - 1	54P-E7674-00	12 - 9	BES-F174G-20	16 - 33	44P-F4741-00	20 - 3	BES-F6301-00	24 - 16
B5D-E2659-00	6 - 6	B5D-E5413-00	10 - 17	2DP-E7674-10	12 - 21	BES-F174H-00	16 - 34	4HF-F4741-00	20 - 4	2SX-F6351-00	24 - 19
B5D-E2668-00	6 - 7	B5D-E5417-10	9 - 21	2DP-E7678-00	12 - 26	BES-F174H-10	16 - 34	1S8-F4768-00	20 - 15	B92-F637G-00	24 - 20
2PH-E3300-10	5 - 1	BES-E5421-00	9 - 31	2DP-E7678-10	12 - 28	BES-F174H-20	16 - 34	BES-F4773-00-33	20 - 19	BES-F7111-00	26 - 1
B5D-E3324-00	2 - 8	B5D-E5421-01	9 - 31	2SX-E7683-10	12 - 22	54P-F2141-00	14 - 8	40D-F4780-01	20 - 13	2PH-F7112-00	26 - 2

NUMERICAL INDEX

PART NO.	REF. NO.	PART NO.	REF. NO.	PART NO.	REF. NO.	PART NO.	REF. NO.	PART NO.	REF. NO.	PART NO.	REF. NO.
2PH-F7114-00	14 - 6	2PH-H2310-01	35 - 3	1LB-H3980-00	33 - 9	90170-12800	12 - 38	90269-06816	27 - 5	90520-02806	14 - 18
1GC-F7121-00	9 - 3	2PH-H2370-10	35 - 6	54P-H3980-00	33 - 21	90170-12803	12 - 34		27 - 8	90520-03806	20 - 10
5LW-F7254-00	26 - 5	B3W-H246B-00	35 - 10	BES-H4300-00	31 - 1	90179-06411	24 - 25		27 - 18	90520-04812	6 - 13
B92-F7267-00	26 - 6	B6H-H254B-00	34 - 14	BES-H4710-00	32 - 1	90179-12004	28 - 6	90280-03017	2 - 9	90520-05819	6 - 5
BES-F7311-00	26 - 11	1LB-H2556-00	33 - 10	1VP-H4714-00	32 - 2	90179-25812	18 - 29	90340-12816	9 - 13	90520-08812	19 - 18
BES-F7430-00	26 - 17	1LB-H2566-01	34 - 11	BES-H4721-00	32 - 4	90183-04005	16 - 8	90380-10803	12 - 32	90520-10832	7 - 34
BES-F7431-00	26 - 18	BES-H2590-00	34 - 5	BES-H4723-00	32 - 3		16 - 14	90380-15809	11 - 3	90520-10834	10 - 12
B92-F7432-00	26 - 19	B5D-H276A-00	33 - 14	BES-H4735-00	32 - 5		27 - 4	90387-05820	16 - 5	90520-10851	7 - 33
BES-F7440-00	26 - 25	B5D-H277A-00	33 - 17	BES-H4759-00	32 - 7		27 - 7		16 - 11	90560-10292	21 - 2
BES-F7441-00	26 - 26	B5D-H279A-00	33 - 15	2FC-H5111-00	15 - 8	90183-05807	15 - 7	90387-068T2	7 - 31	91312-05016	34 - 12
B92-F7442-00	26 - 27	1LB-H2911-20	33 - 1	55D-H5130-00	35 - 15		16 - 7	90387-08820	26 - 13	91312-06012	4 - 6
BES-F7481-00	26 - 7	BES-H3310-00	29 - 2	BE1-H5130-00	35 - 15		16 - 13	90387-10277	21 - 7	91312-06025	11 - 8
BES-F8100-00	20 - 21	55D-H3311-00	29 - 1	31B-H5353-00	31 - 2		16 - 17	90387-16819	12 - 35	91332-05010	19 - 10
BES-F8311-00	27 - 1		29 - 7	2PH-H5752-00	19 - 7		16 - 20	90388-08803	9 - 4	91332-06020	28 - 4
BES-F8312-00	27 - 9		29 - 14	B5D-H5885-00	7 - 18		16 - 24	90388-10800	14 - 4		33 - 12
BES-F8345-00	27 - 22	1VP-H3318-00	29 - 20	2DP-H592A-20	35 - 9		16 - 27	90388-10805	9 - 5	91332-06025	25 - 11
BES-F8346-00	27 - 30	BES-H331E-00	29 - 4	B3W-H594A-10	35 - 1		20 - 8	90401-10015	25 - 2	91332-06035	28 - 3
BES-F8356-00	14 - 11	BES-H3320-00	29 - 3	1VB-H652Y-00	30 - 9		24 - 2	90430-06803	1 - 5	91401-25015	26 - 23
BES-F8358-00	14 - 16	55D-H3323-00	29 - 9	4C9-W0048-00	22 - 8		24 - 6	90430-08804	9 - 16		26 - 31
BES-F835U-00-P0	27 - 26	55D-H332M-00	29 - 16	BES-XH250-00	34 - 2		24 - 10	90430-10806	35 - 8	91701-08035	26 - 22
BES-F835U-00-P1	27 - 26	55D-H3330-01	29 - 6	90101-06046	23 - 14		26 - 8	90430-12803	9 - 14		26 - 30
BES-F835U-00-P2	27 - 26	55D-H3333-00	29 - 11	90101-08847	26 - 12		27 - 2	90450-46803	7 - 35	91A20-07065	19 - 14
BES-F835V-00-P0	27 - 34		29 - 18	90105-07802	4 - 7		27 - 17	90464-04801	16 - 25	92012-05010	24 - 18
BES-F835V-00-P1	27 - 34	55D-H333A-00	29 - 8	90105-088H4	17 - 2		27 - 21		16 - 28	92012-05016	24 - 17
BES-F835V-00-P2	27 - 34	55D-H333E-01	29 - 10	90105-10831	22 - 13		27 - 23		27 - 25	92907-10600	14 - 10
BES-F836K-00	27 - 12	55D-H3340-01	29 - 13	90105-10896	24 - 3		27 - 27		27 - 33	93102-15801	11 - 6
2BM-F8379-00	27 - 13	55D-H334A-00	29 - 15	90105-108B2	14 - 7		27 - 31	90464-07018	27 - 11	93102-20815	12 - 4
BES-F8385-00	27 - 15	55D-H334E-01	29 - 17	90109-06255	33 - 19		27 - 35		27 - 29	93102-21800	9 - 23
BES-F838D-00	27 - 3	1VP-H3358-00	30 - 3	90109-06265	27 - 14		32 - 6		27 - 37	93102-25824	9 - 30
BES-F838S-00	27 - 6	55D-H3358-00	29 - 12	90109-06798	33 - 7	90185-05803	15 - 9	90464-07805	34 - 13	93102-30805	13 - 7
BES-F8391-00	27 - 40		29 - 19	90109-068B4	20 - 7	90185-10011	24 - 4	90464-12810	35 - 4	93106-20808	21 - 3
BES-F8391-10	27 - 40	B5D-H3362-00	33 - 16		35 - 2	90185-10012	21 - 9	90464-16807	35 - 11	93210-07802	23 - 6
BES-F8391-20	27 - 40	2PH-H3371-00	35 - 13	90109-068B5	14 - 15	90185-16800	23 - 15	90467-10008	9 - 8	93210-09806	4 - 2
BES-F8392-00	27 - 41	BES-H3509-00	30 - 6		15 - 2	90201-10065	17 - 5	90467-110A3	10 - 5	93210-148H8	9 - 18
BES-F8392-10	27 - 41	BES-H3510-00	30 - 1		15 - 5	90201-10118	25 - 3	90467-12807	7 - 28	93210-15862	4 - 17
BES-F8392-20	27 - 41	BES-H3511-00	30 - 2		26 - 9	90201-10831	21 - 10	90467-13808	7 - 38	93210-29800	5 - 7
5P2-F839B-00	27 - 38	5LW-H3518-00	30 - 5		31 - 3	90201-12028	17 - 4	90467-13858	7 - 39	93210-35883	7 - 4
	27 - 39	2BR-H3550-00	30 - 11	90110-06846	7 - 16	90201-12823	28 - 5	90480-13013	7 - 32	93211-07800	9 - 24
B5D-H1410-10	28 - 2	1VP-H357E-00	30 - 7	90110-06868	1 - 15	90201-154E8	11 - 4	90480-14004	14 - 12	93306-001YG	4 - 3
B5D-H1450-00	28 - 1	52B-H3591-00	35 - 7	90110-06887	6 - 11	90201-15845	12 - 39	90501-12743	26 - 20	93306-201YS	12 - 2
5TP-H1940-00	34 - 10	1VP-H3645-00	30 - 4	90111-06162	34 - 4	90201-16810	23 - 16		26 - 28	93306-204XX	12 - 3
BBM-H2100-00	34 - 1	1LB-H3912-00	33 - 2	90111-06811	8 - 3	90201-16816	12 - 40	90501-16003	24 - 24	93306-272YB	13 - 6
5D9-H2126-00	19 - 13	5TL-H3922-00	33 - 18	90111-08853	22 - 2	90201-220J8	23 - 17	90501-16004	5 - 6	93306-300X8	21 - 4
BES-H2129-00	20 - 9	1LB-H3935-00	33 - 3	90116-08843	9 - 12	90206-14093	23 - 13	90506-12001	23 - 8	93306-302YU	13 - 2
BES-H2151-00	34 - 7	40D-H3962-00	33 - 5	90119-06155	19 - 3	90208-12808	12 - 37	90506-15001	23 - 9	93306-303YU	13 - 9
BAX-H2151-20	34 - 8	1LB-H3967-00	33 - 4	90159-06810	16 - 22	90249-12008	24 - 26	90506-20514	26 - 15	93306-351Y8	13 - 3
BAX-H2151-90	34 - 6	40D-H396X-00	33 - 6	90170-05803	3 - 9	90269-06816	19 - 15	90506-35821	26 - 4	93306-372X7	2 - 7
1VB-H2176-00	20 - 6	B5D-H3975-00	33 - 13	90170-08810	1 - 10		24 - 7	90508-32768	11 - 2	93310-528YP	2 - 3

NUMERICAL INDEX

PART NO.	REF. NO.	PART NO.	REF. NO.	PART NO.	REF. NO.	PART NO.	REF. NO.	PART NO.	REF. NO.	PART NO.	REF. NO.
933A6-202Y0	12 - 31	95E32-06035	10 - 10								
93440-10153	1 - 3	95E32-06040	24 - 22								
93450-14088	2 - 12	95E32-06045	9 - 35								
93501-04823	26 - 21		10 - 18								
	26 - 29	95E32-06060	9 - 10								
93900-00817	21 - 6	95E32-06070	9 - 28								
	23 - 3	95E32-06100	9 - 11								
94107-14808	21 - 5	97602-05208	34 - 3								
94109-14804	23 - 2	97702-40012	30 - 8								
94568-A6092	4 - 9	97702-60530	6 - 9								
94700-00372	1 - 11	97707-50012	16 - 2								
95302-10600	17 - 3		16 - 6								
95602-06100	33 - 8		16 - 12								
	33 - 20		16 - 16								
95602-08200	26 - 14		16 - 19								
95602-10200	14 - 9		20 - 11								
95612-08618	1 - 6		24 - 9								
95702-08500	8 - 5		26 - 10								
95702-10500	23 - 5		27 - 16								
95802-06012	14 - 13		27 - 20								
95812-08045	9 - 15		27 - 24								
95D02-06010	18 - 31		27 - 32								
	18 - 35	97707-50016	16 - 4								
	35 - 14		16 - 10								
95D02-08030	26 - 24		27 - 10								
	26 - 32		27 - 28								
95D32-06010	14 - 17		27 - 36								
95D32-06012	18 - 33		29 - 5								
95D32-06020	10 - 15		30 - 10								
	20 - 20		31 - 4								
95D32-06025	7 - 15	97707-50025	7 - 29								
	7 - 36	98502-05010	33 - 11								
95D32-06030	1 - 8	98502-05020	5 - 3								
95D32-06035	7 - 6	98502-05025	24 - 29								
95D32-06045	7 - 7	98507-05010	20 - 18								
95D32-06080	10 - 16	99002-09600	26 - 3								
95D32-08055	8 - 6	99009-15400	11 - 5								
95E32-06010	1 - 4	99009-25400	13 - 8								
	10 - 8	99009-35700	12 - 33								
	20 - 14	99480-03012	9 - 22								
95E32-06012	34 - 9	99480-05010	9 - 27								
95E32-06014	24 - 23	99530-10114	1 - 13								
95E32-06016	35 - 5		1 - 14								
95E32-06020	4 - 15		9 - 9								
	6 - 8		9 - 33								
	9 - 29		10 - 9								
	10 - 19										
95E32-06035	9 - 34										