

Parts Catalogue



2011
KLX250SBF

2012
KLX250SCF

'11-'12 KLX250 SBF/SCF

Model Information

Year & Model

'11 KLX250SBF

'12 KLX250SCF

Color

1.BRIGHT WHITE COLORED PLASTIC(266)

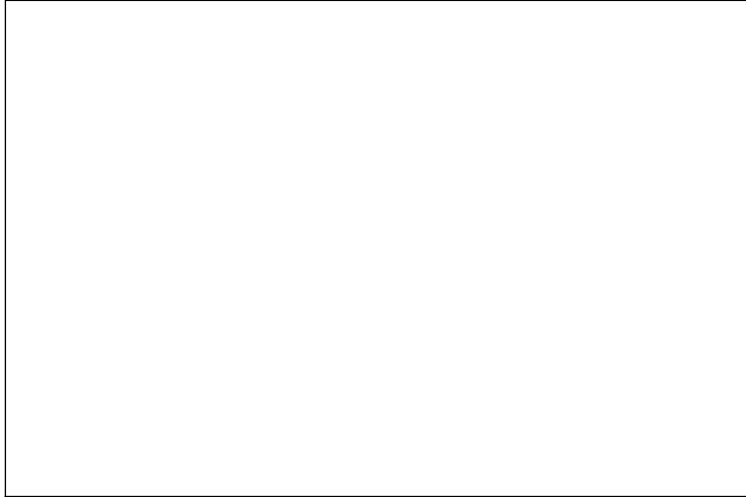
1.LIME GREEN(777)

2.LIME GREEN(777)

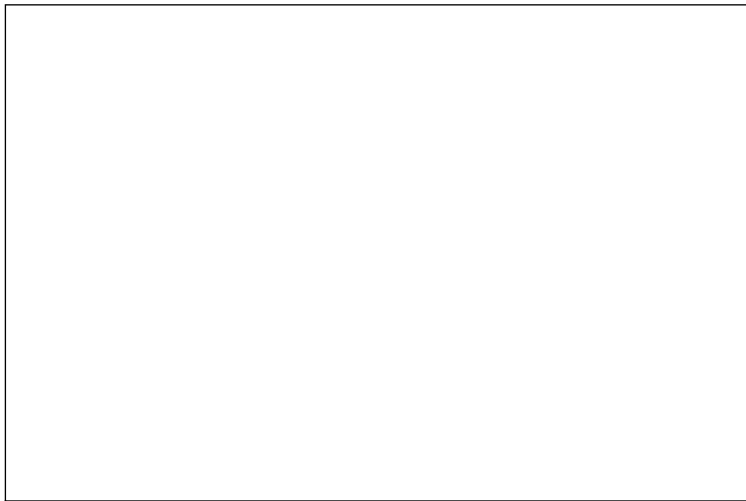
2.FIRECRACKER RED(B1)

KLX250SBF

Left Side View

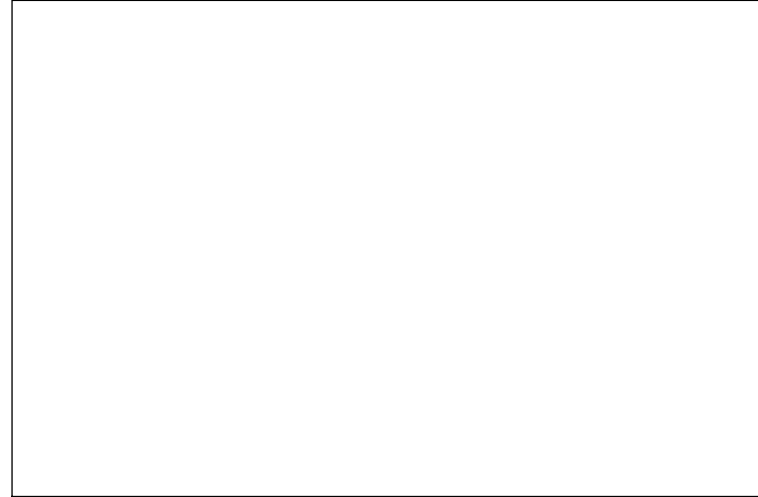


Right Side View

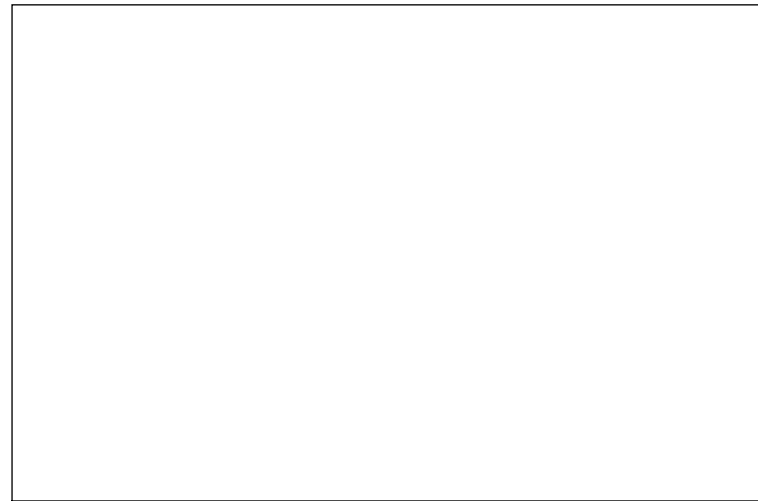


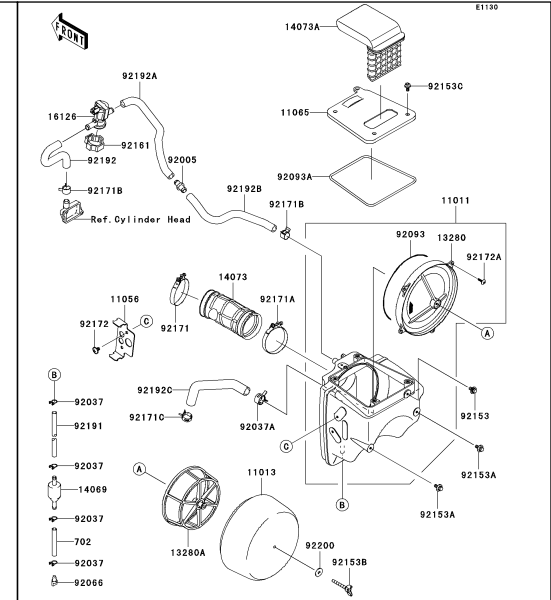
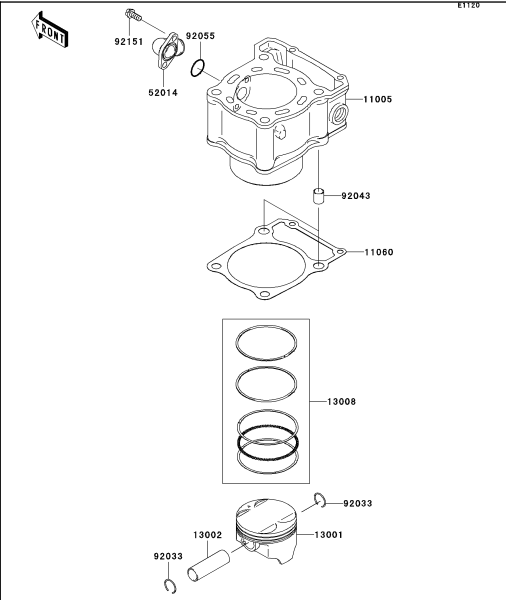
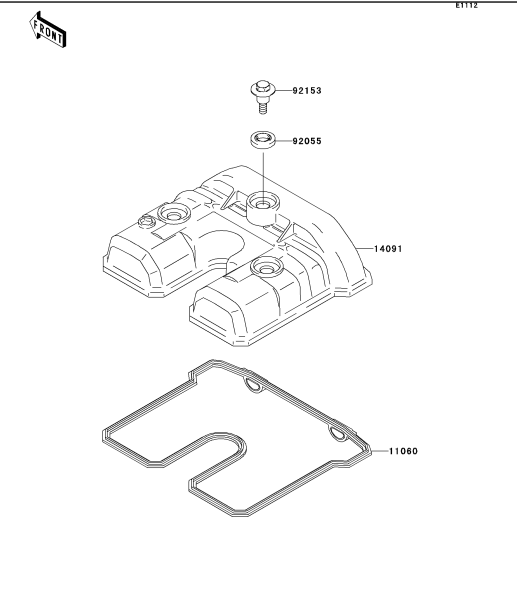
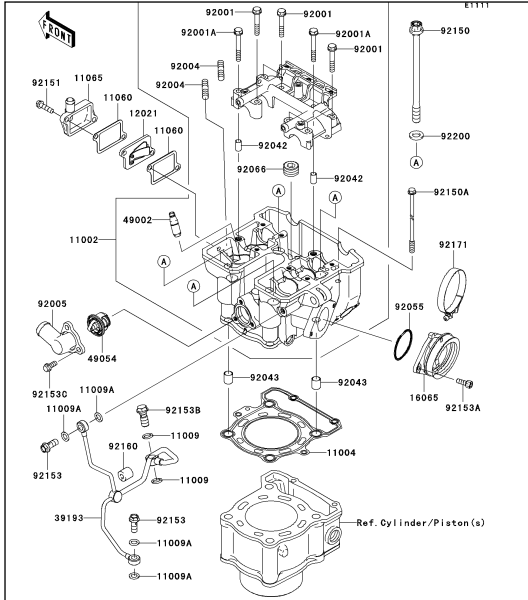
KLX250SCF

Left Side View



Right Side View



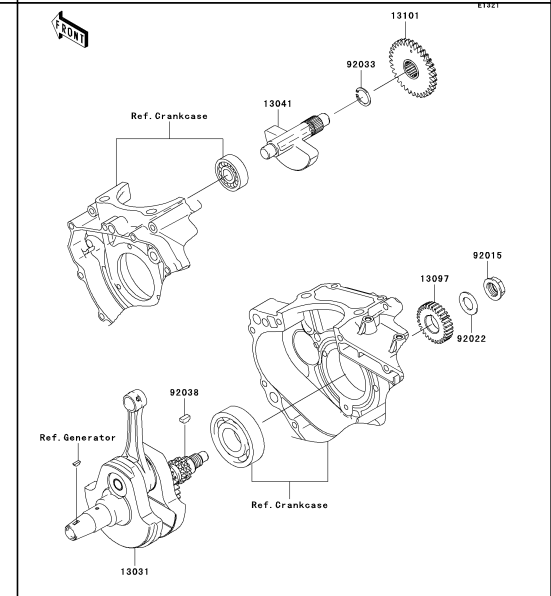
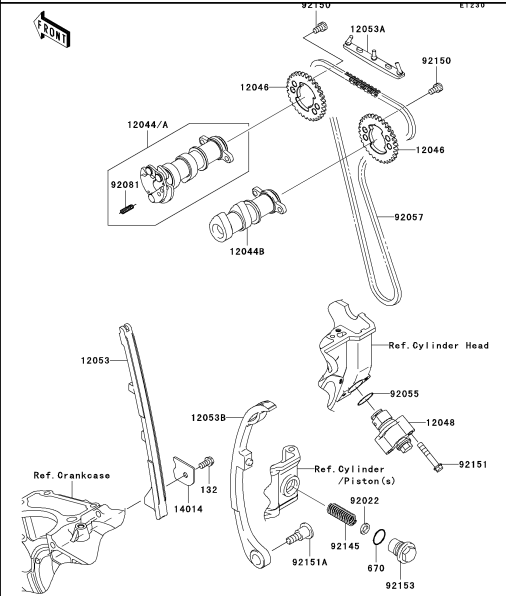
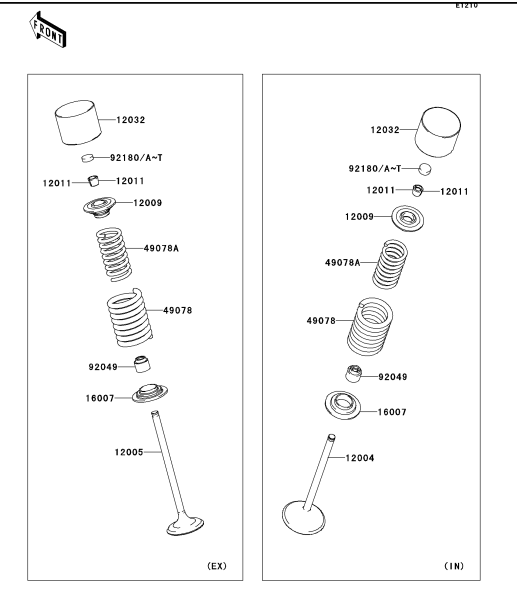
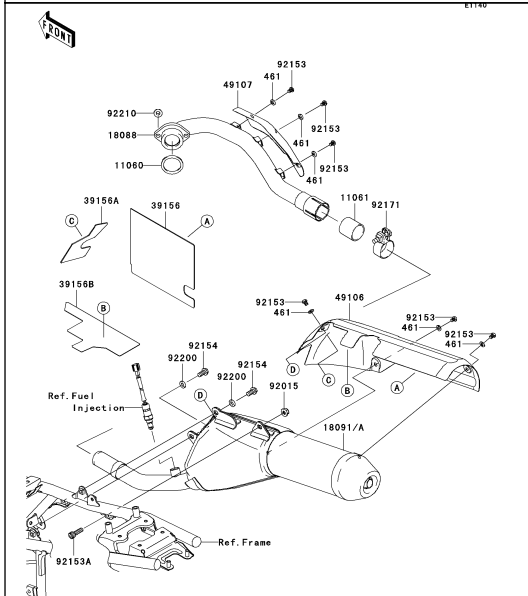


B-3 Cylinder Head

B-4 Cylinder Head Cover

B-5 Cylinder/Piston(s)

B-6 Air Cleaner

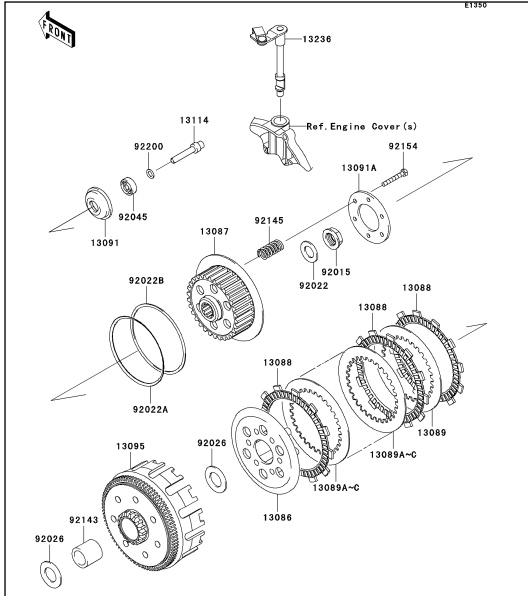


B-7 Muffler(s)

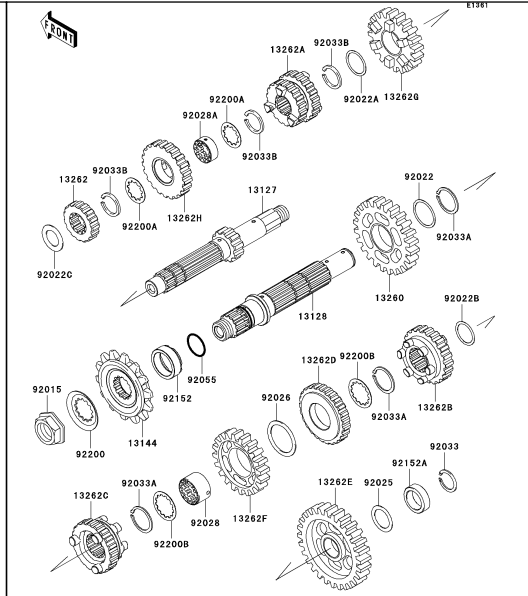
B-8 Valve(s)

B-9 Camshaft(s)/Tensioner

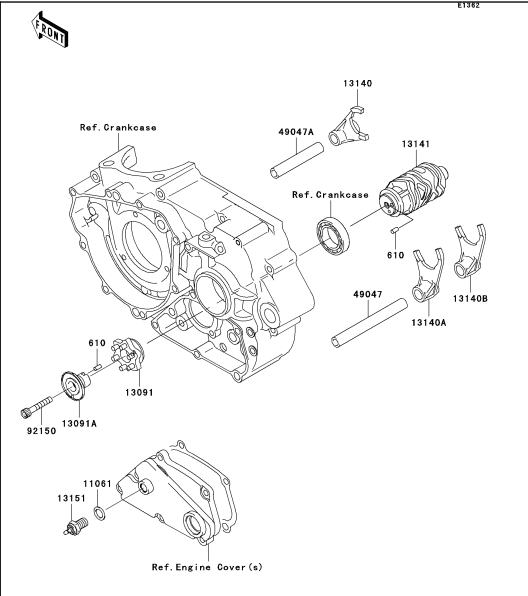
B-10 Crankshaft



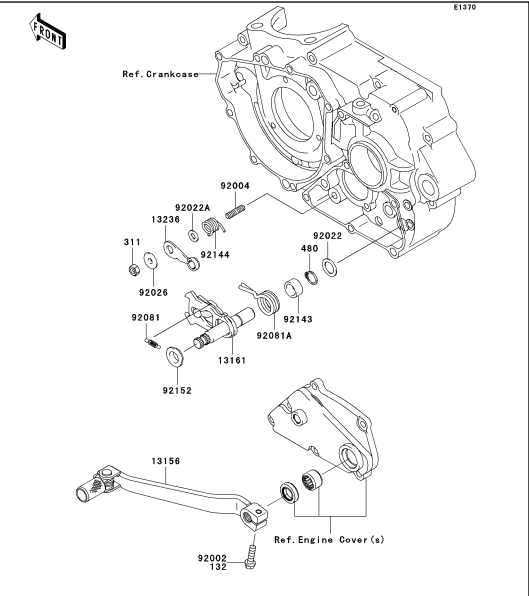
B-11 Clutch



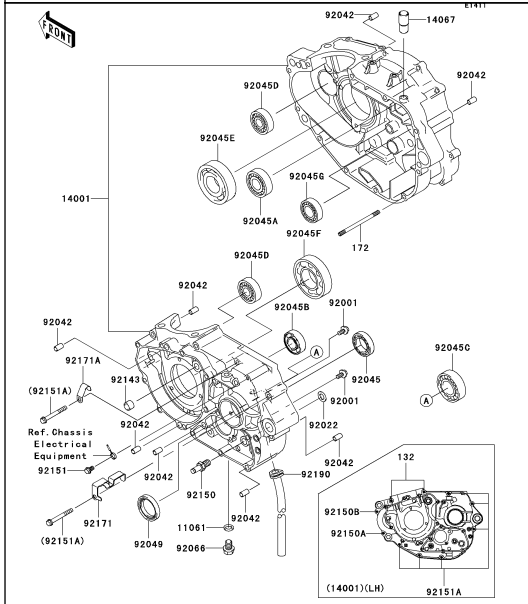
B-12 Transmission



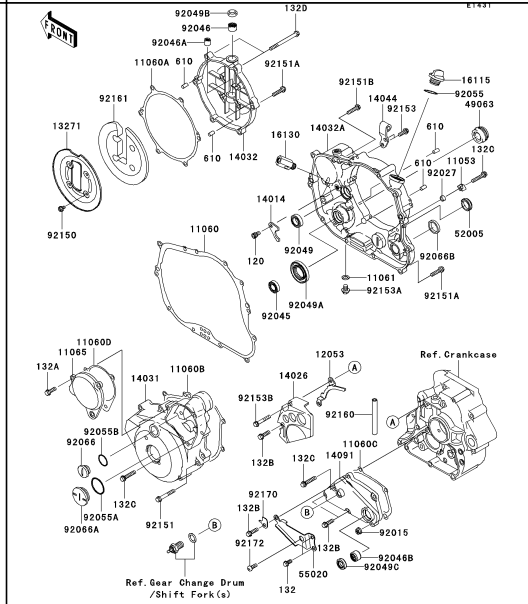
B-13 Gear Change Drum/Shift Fork(s)



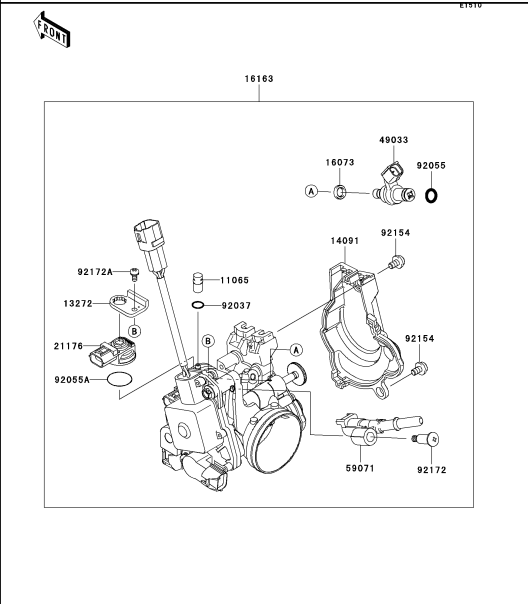
B-14 Gear Change Mechanism



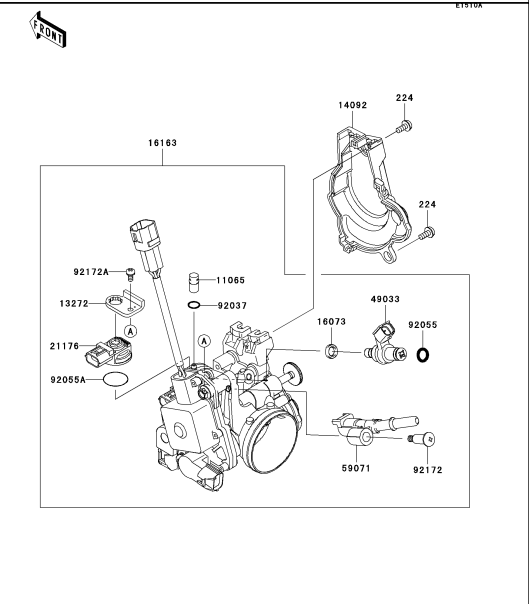
C-3 Crankcase



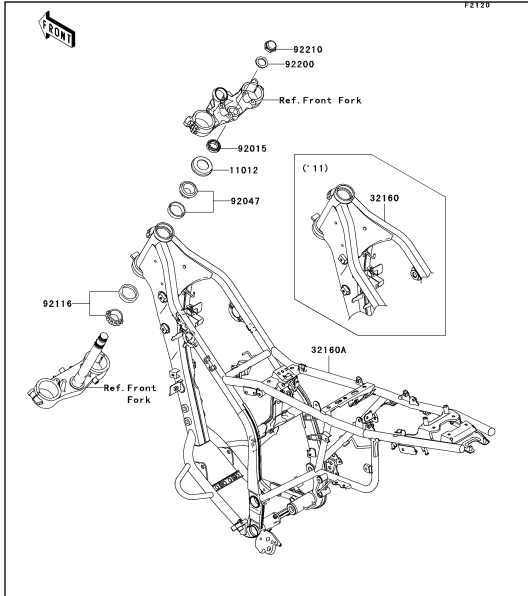
C-4 Engine Cover(s)(1/2)



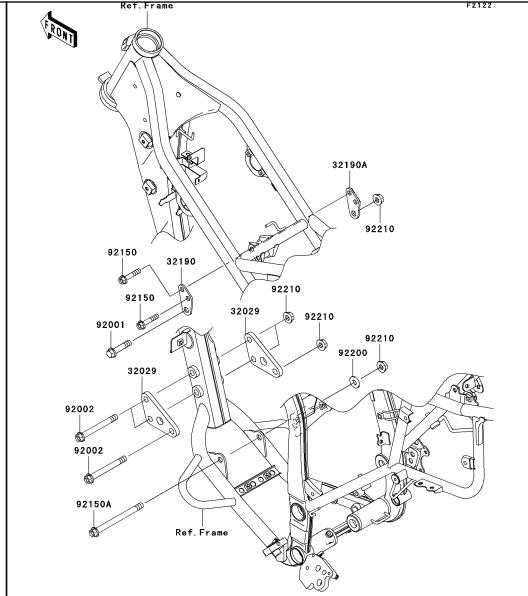
C-6 Throttle(SBF)



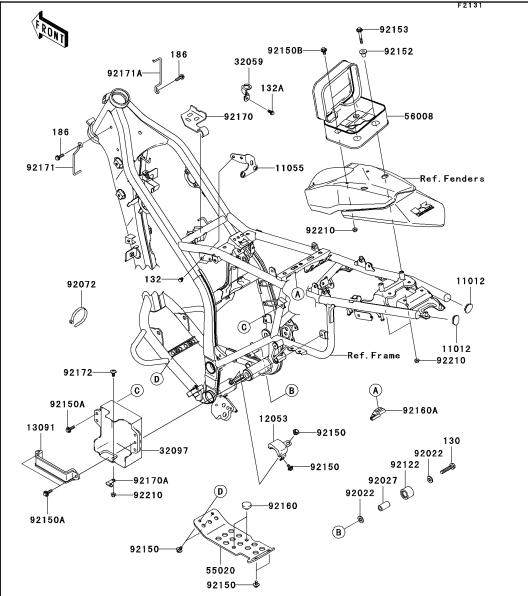
C-7 Throttle(SCF)



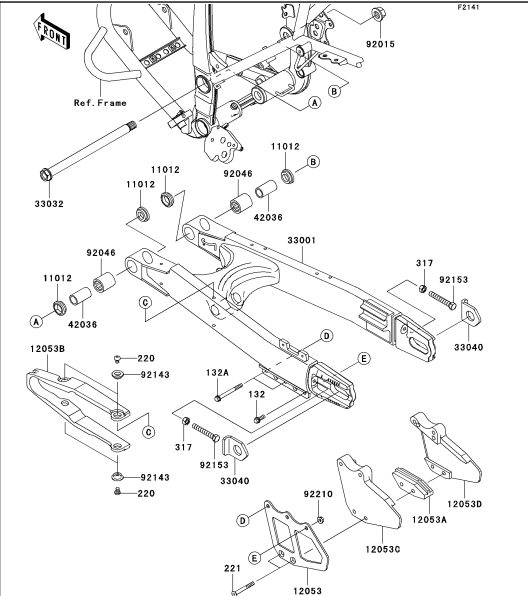
E-3 Frame



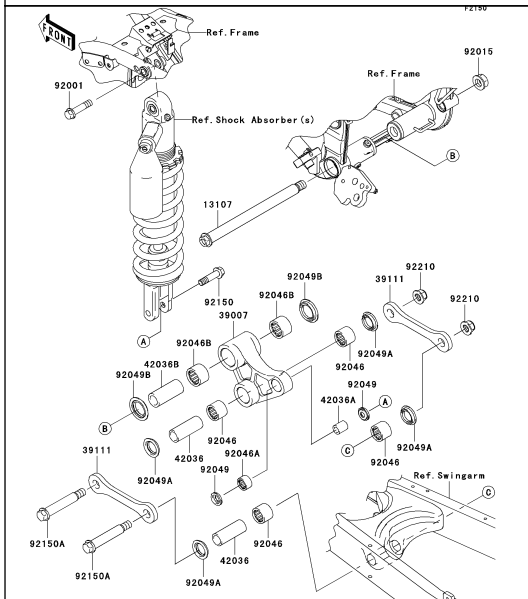
E-4 Engine Mount



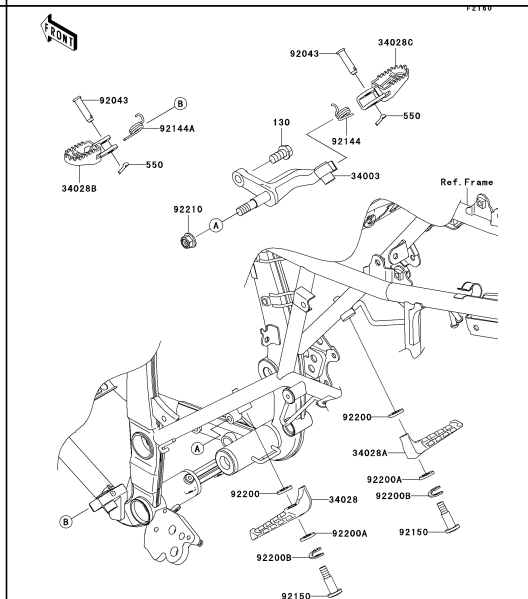
E-5 Frame Fittings



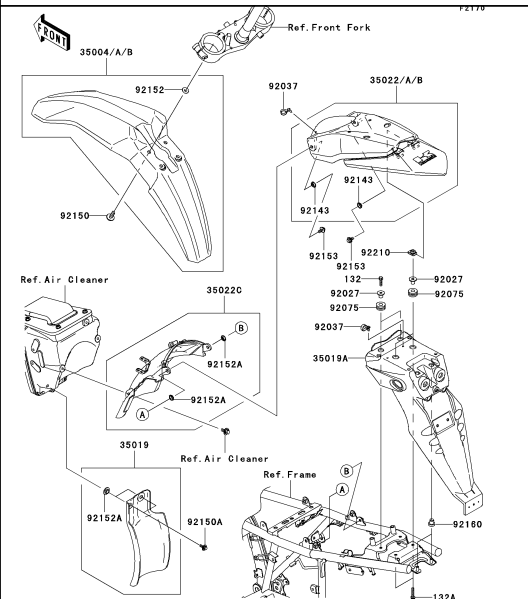
E-6 Swingarm



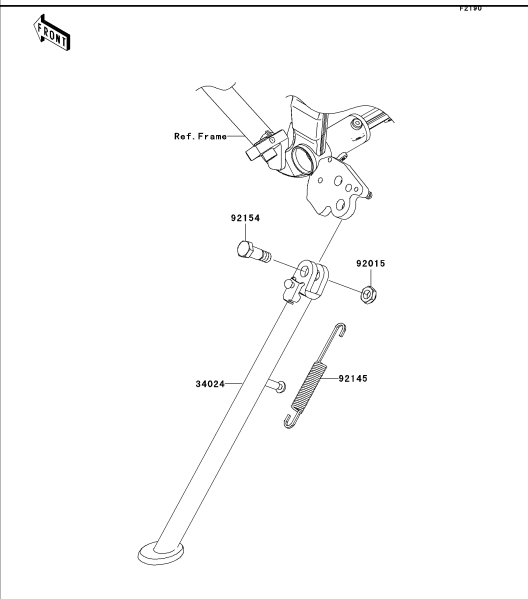
E-7 Suspension



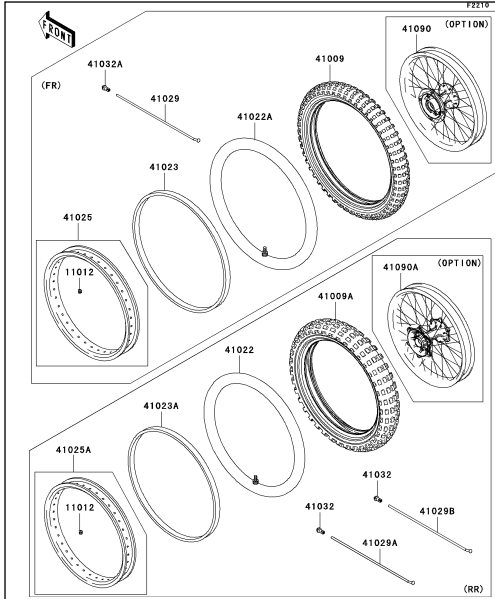
E-8 Footrests



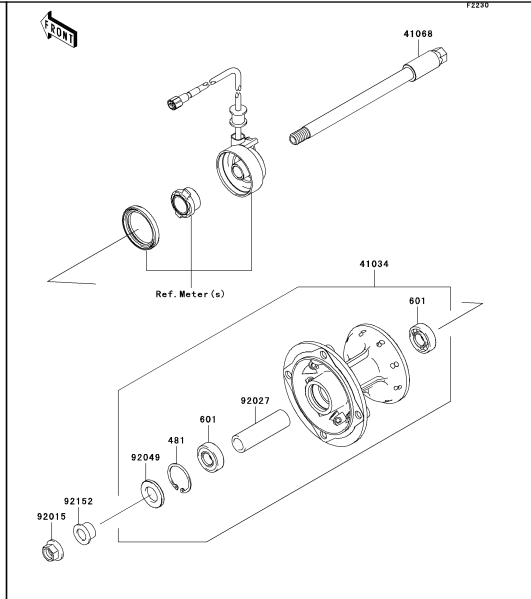
E-9 Fenders



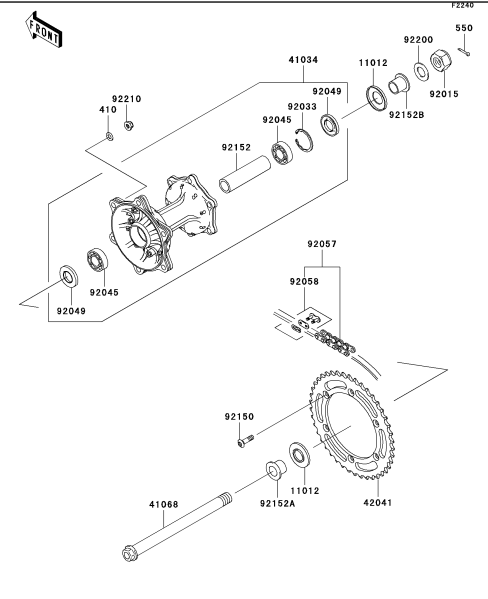
E-10 Stand(s)



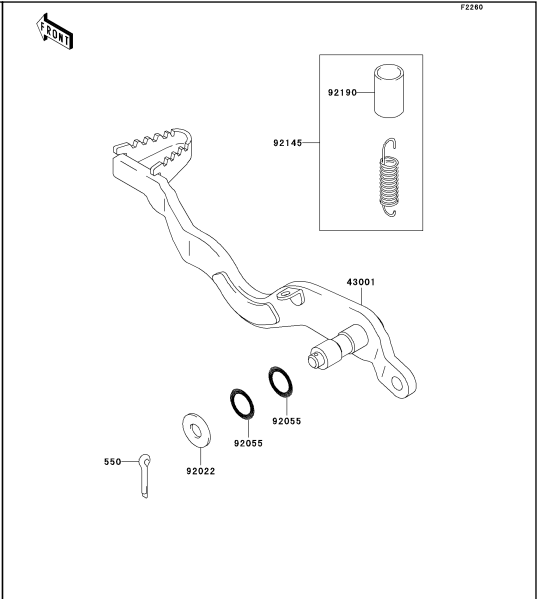
E-11 Tires



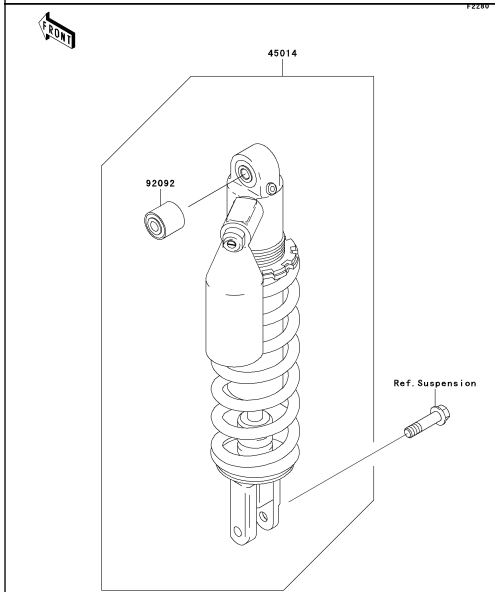
E-12 Front Hub



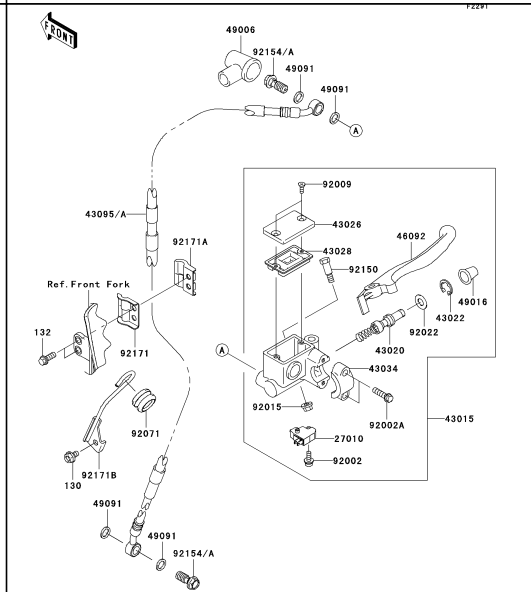
E-13 Rear Hub



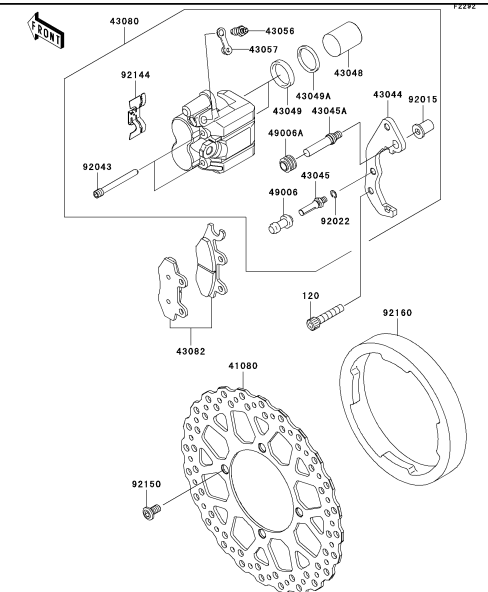
E-14 Brake Pedal



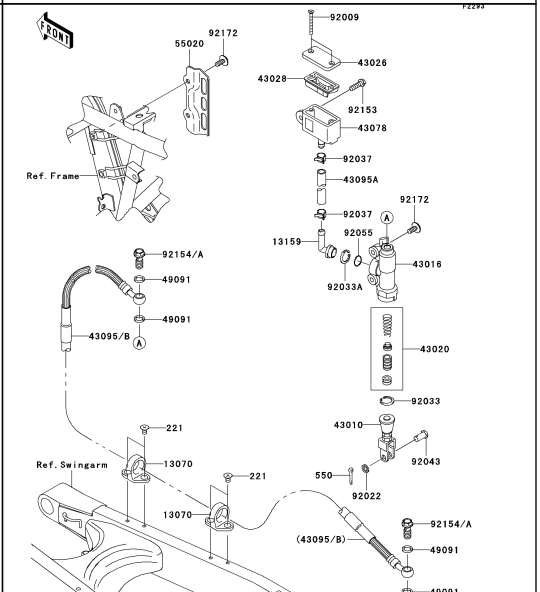
F-3 Shock Absorber(s)



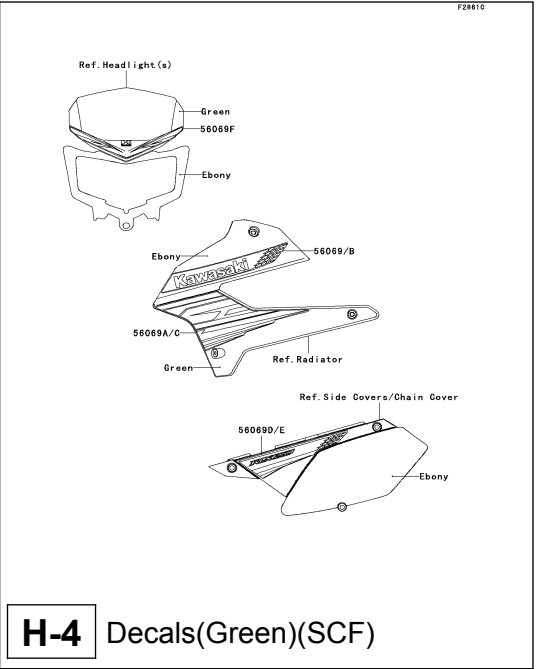
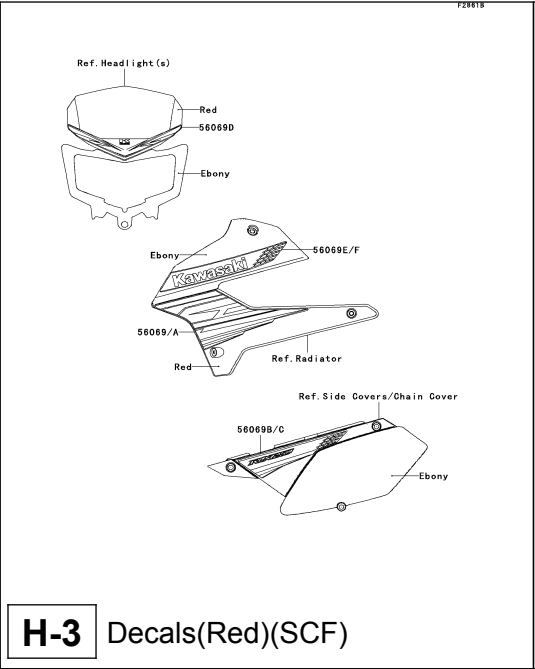
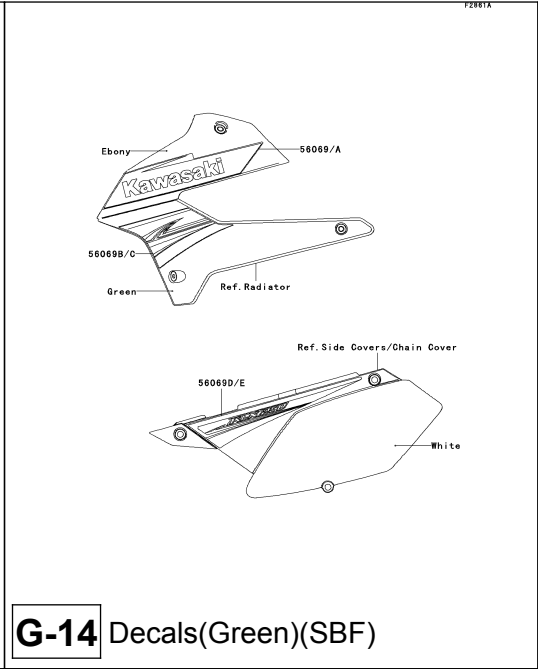
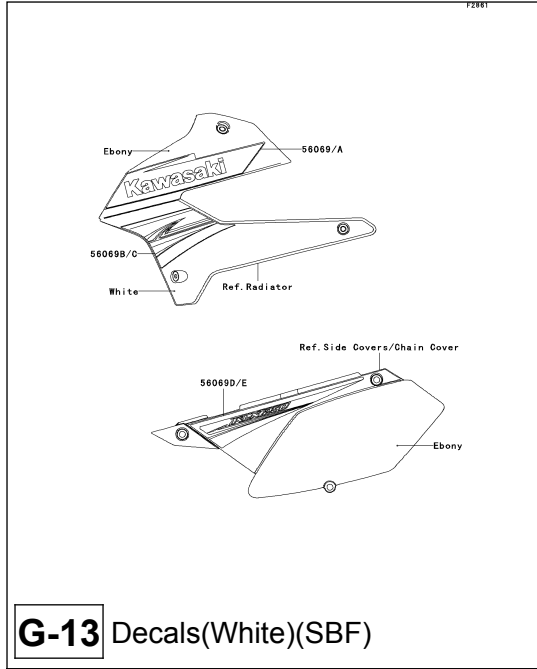
F-4 Front Master Cylinder



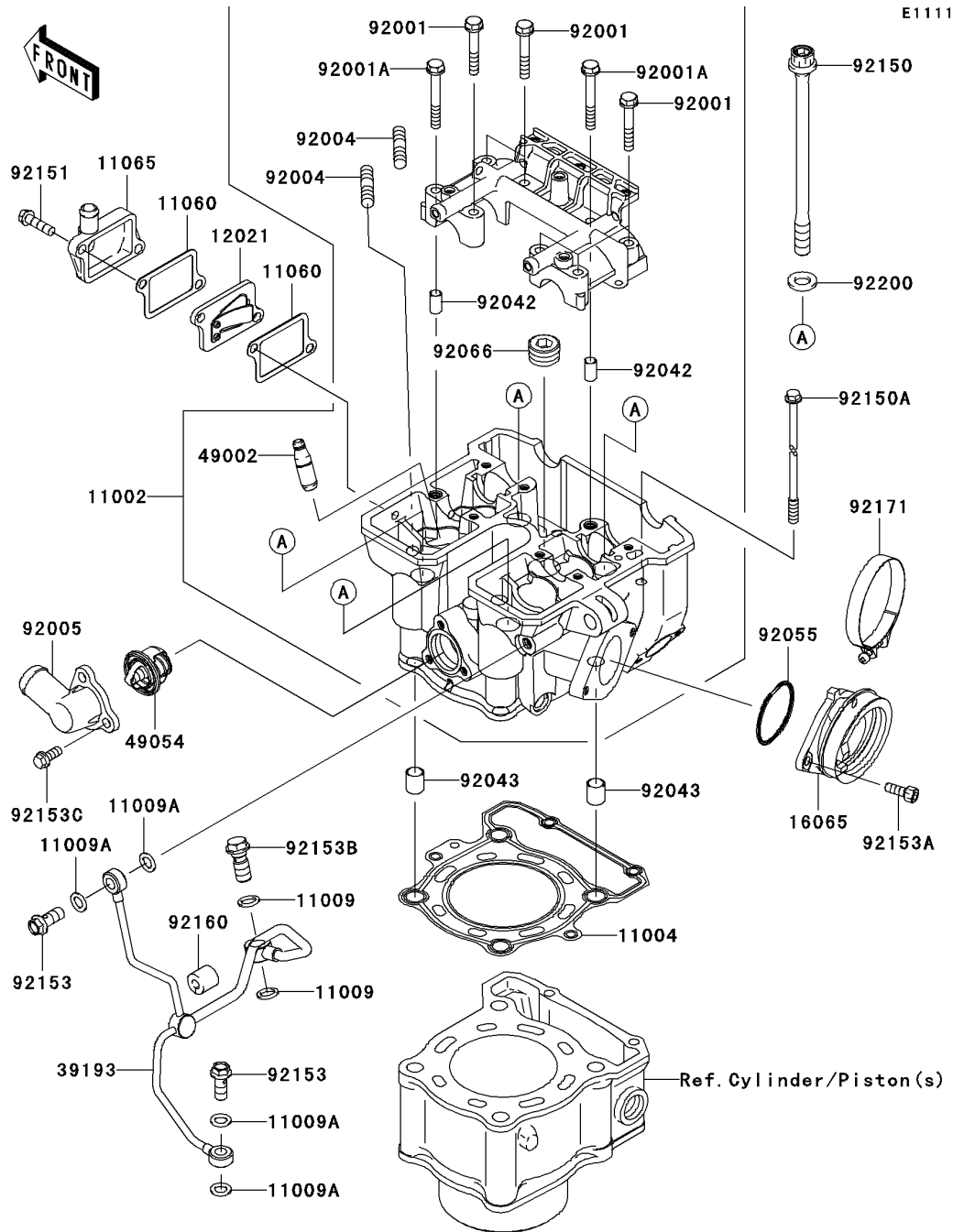
F-5 Front Brake



F-6 Rear Master Cylinder



'11-'12 KLX250 SBF/SCF

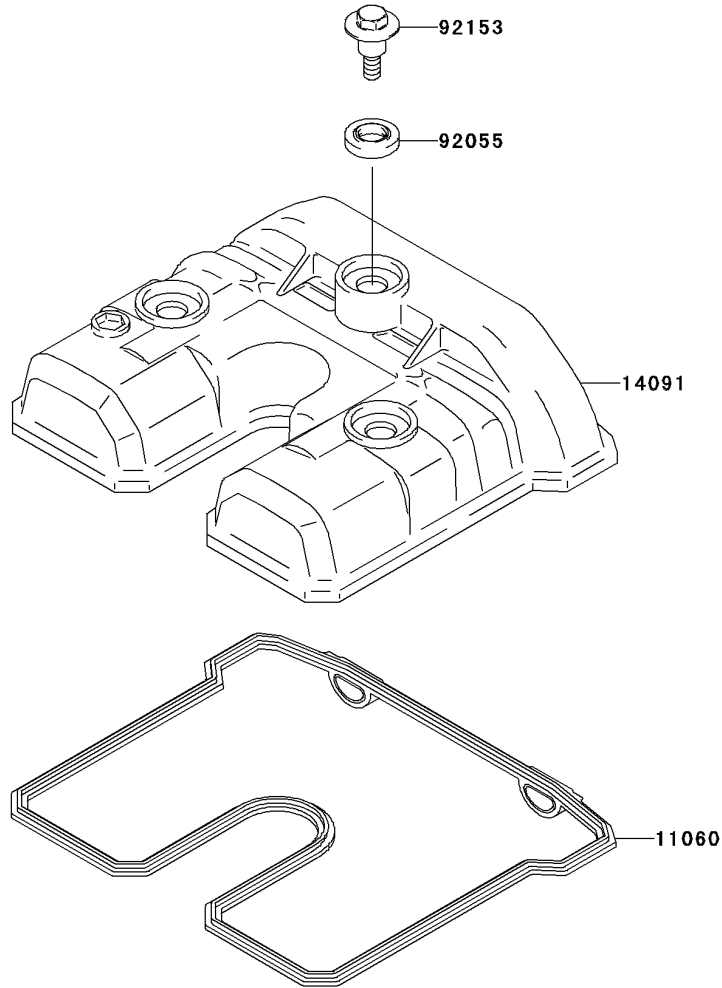


B-3. Cylinder Head

Ref. No.	Part No.	Description	Spec Code	Quantity			
				'11	'12		
				SBF	SCF		
11002	11002-0071	HEAD-ASSY-CYLINDER		1	1		
11004	11004-1249	GASKET-HEAD		1	1		
11009	11009-1105	GASKET,10X14.5X1.5		2	2		
11009A	11009-1344	GASKET,8.2X14X1.0		4	4		
11060	11060-1886	GASKET,AIR SUCTION VALVE		2	2		
11065	11065-0293	CAP		1	1		
12021	12021-1115	VALVE-ASSY-REED		1	1		
16065	16065-0045	HOLDER-CARBURETOR		1	1		
39193	39193-0045	PIPE-OIL		1	1		
49002	49002-1126	GUIDE-VALVE		4	4		
49054	49054-1053	THERMOSTAT		1	1		
92001	92001-1105	BOLT,FLANGED,6X38		6	6		
92001A	92001-1872	BOLT,6X46		2	2		
92004	92004-0050	STUD		2	2		
92005	92005-0107	FITTING		1	1		
92042	92042-007	PIN,DOWEL,6.3X8X14		2	2		
92043	92043-4009	PIN,10.1X12X14		2	2		
92055	92055-1255	RING-O		1	1		
92066	92066-0002	PLUG,PT1/2X12.5		1	1		
92150	92150-1368	BOLT,10X165		4	4		
92150A	92150-1552	BOLT,6X135		2	2		
92151	92151-1937	BOLT,6X22		2	2		
92153	92153-0651	BOLT,BANJO,8X20		2	2		
92153A	92153-1344	BOLT,SOCKET,6X16		2	2		
92153B	92153-1345	BOLT,BANJO,10X23		1	1		
92153C	92153-1805	BOLT		3	3		
92160	92160-1523	DAMPER,6.3X15X14		1	1		
92171	92171-0643	CLAMP		1	1		
92200	92200-1042	WASHER,10.5X19X2.3		4	4		



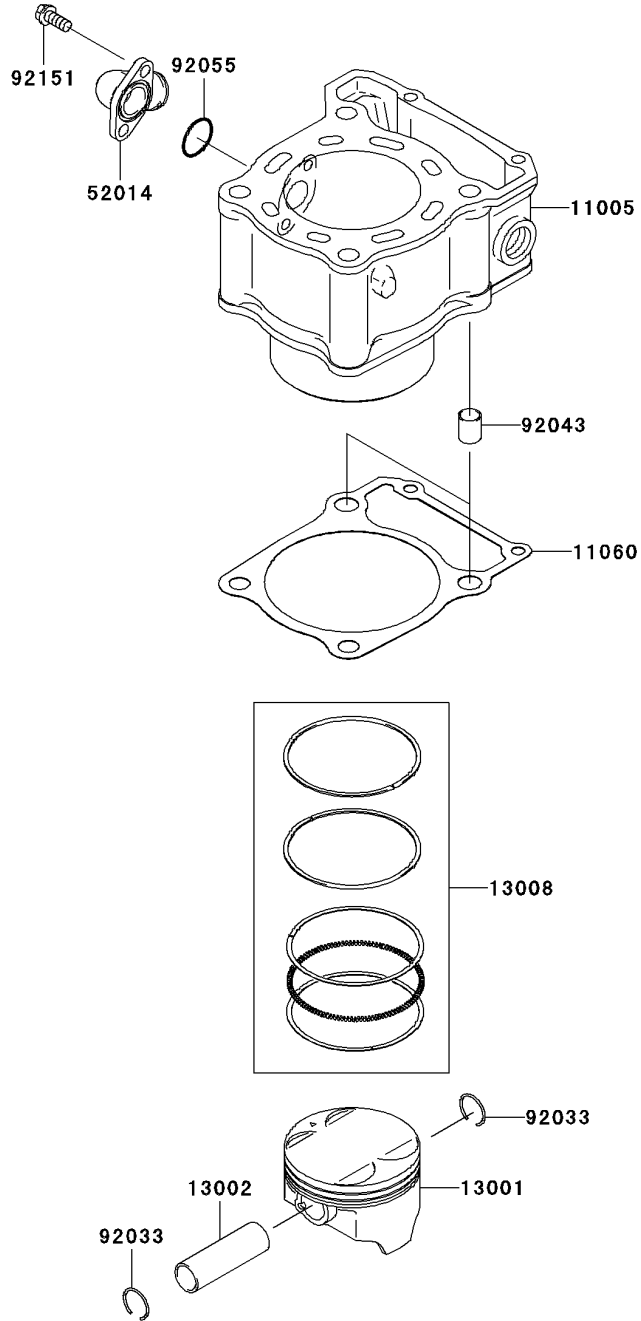
E1112



B-4. Cylinder Head Cover

Ref. No.	Part No.	Description	Spec Code	Quantity			
				'11	'12		
				SBF	SCF		
11060	11060-1318	GASKET,HEAD COVER		1	1		
14091	14091-1748	COVER,HEAD		1	1		
92055	92055-0195	RING-O,HEAD COVER BOLT		3	3		
92153	92153-1343	BOLT,FLANGED,6X22.5		3	3		

'11-'12 KLX250 SBF/SCF

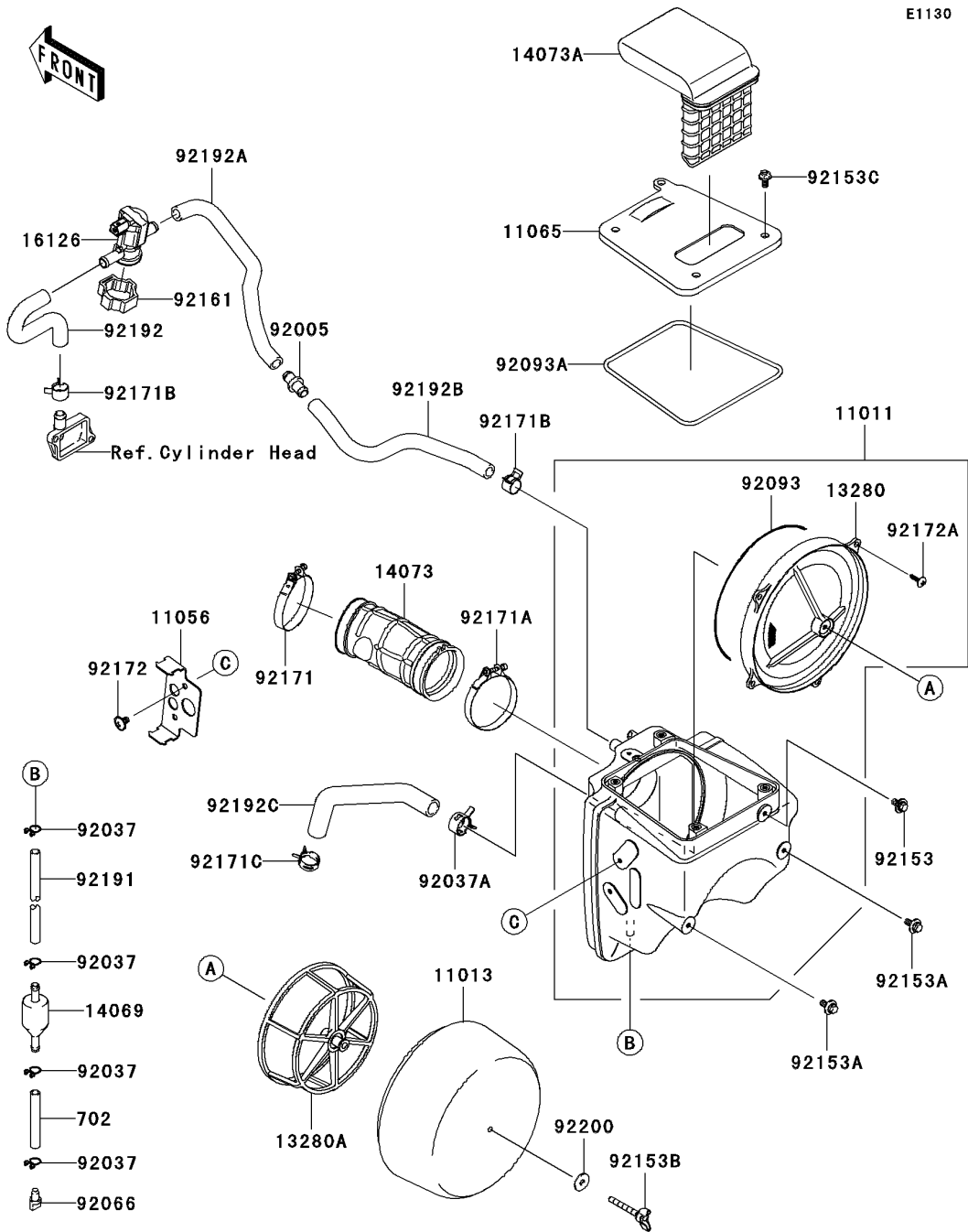


E1120

B-5. Cylinder/Piston(s)

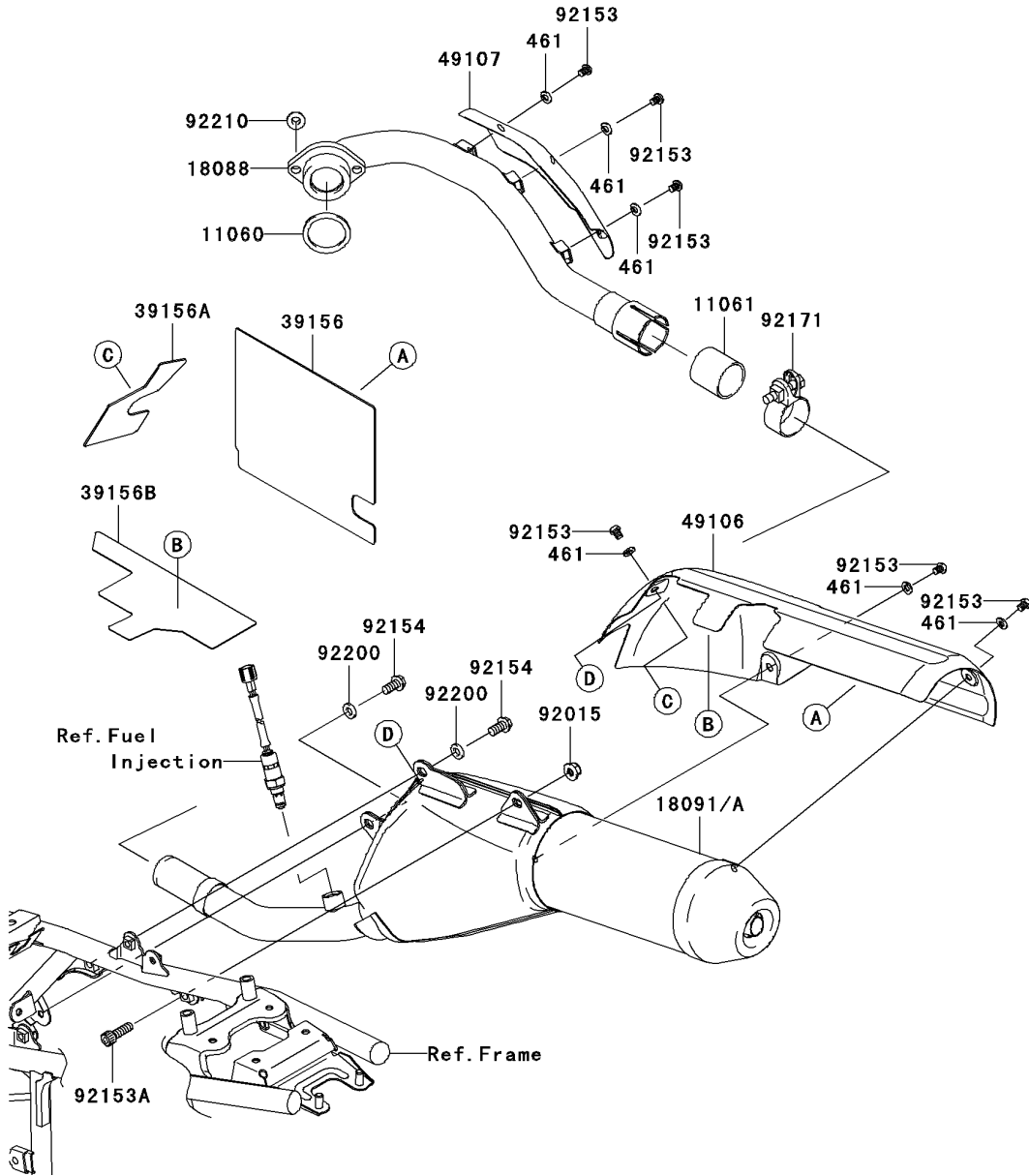
Ref. No.	Part No.	Description	Spec Code	Quantity			
				'11	'12		
				SBF	SCF		
11005	11005-0112	CYLINDER-ENGINE		1	1		
11060	11060-1740	GASKET,CYLINDER BASE		1	1		
13001	13001-0102	PISTON-ENGINE		1	1		
13002	13002-1073	PIN-PISTON		1	1		
13008	13008-1149	RING-SET-PISTON		1	1		
52014	52014-0005	ELBOW		1	1		
92033	92033-1054	RING-SNAP		2	2		
92043	92043-4009	PIN,10.1X12X14		2	2		
92055	92055-055	RING-O,19.5X1.5		1	1		
92151	92151-1423	BOLT,6X14		2	2		

'11-'12 KLX250 SBF/SCF



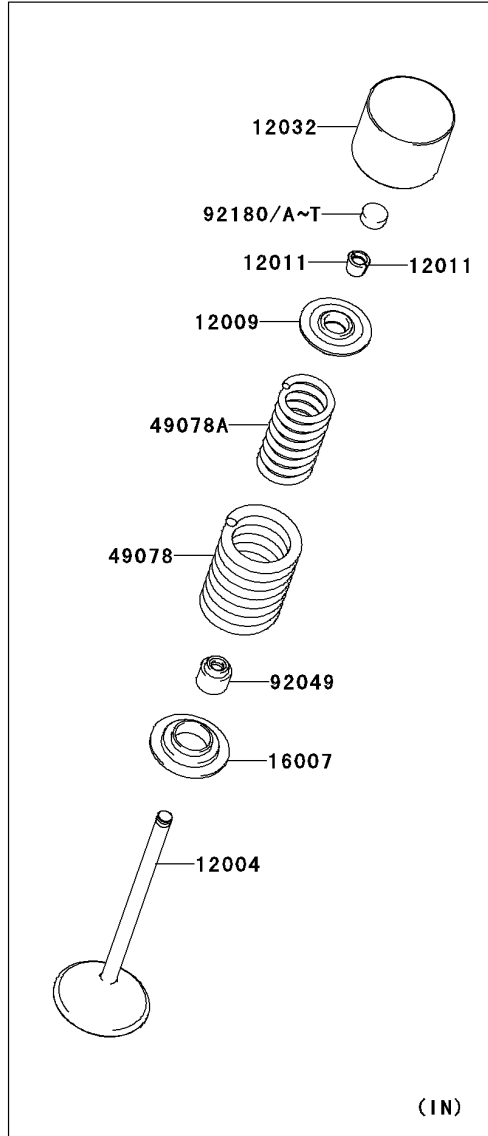
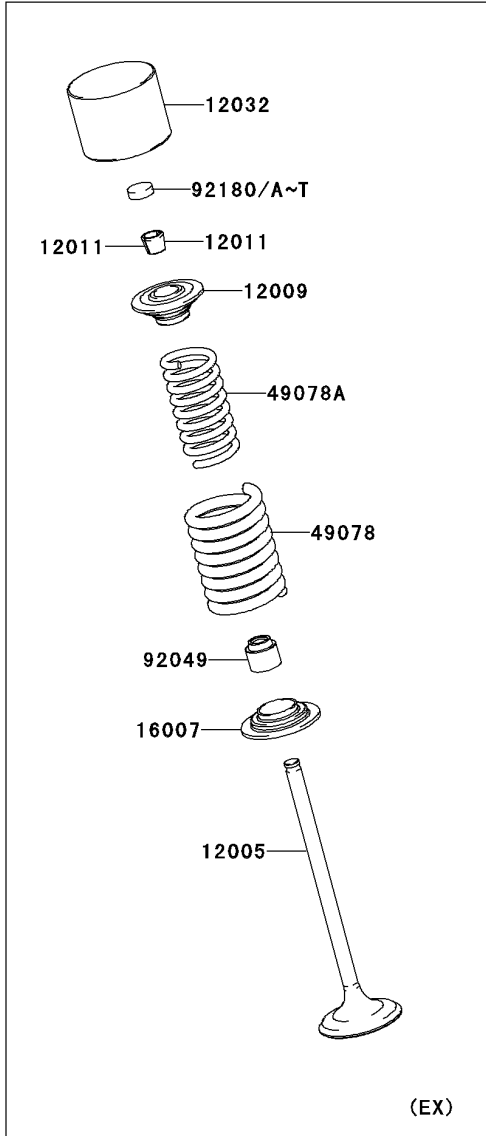
B-6. Air Cleaner

Ref. No.	Part No.	Description	Spec Code	Quantity			
				'11 SBF	'12 SCF		
11011	11011-0139	CASE-AIR FILTER		1	1		
11013	11013-0030	ELEMENT-AIR FILTER		1	1		
11056	11056-1515	BRACKET,ECU		1	1		
11065	11065-0232	CAP,AIR FILTER		1	1		
13280	13280-0252	HOLDER		1	1		
13280A	13280-0263	HOLDER		1	1		
14069	14069-1051	BREATHER		1	1		
14073	14073-0158	DUCT,A/C-THROBO		1	1		
14073A	14073-0185	DUCT,INTAKE		1	1		
16126	16126-0033	VALVE,AIR SWITCHING		1	1		
92005	92005-1379	FITTING		1	1		
92037	92037-147	CLAMP,TUBE		4	4		
92037A	92037-1860	CLAMP		1	1		
92066	92066-1211	PLUG,DRAIN		1	1		
92093	92093-0101	SEAL,3X520		1	1		
92093A	92093-0102	SEAL,4X535		1	1		
92153	92153-0503	BOLT,6X12		1	1		
92153A	92153-0936	BOLT,FLANGED,6X14		2	2		
92153B	92153-1921	BOLT,WING,6X45		1	1		
92153C	92153-1922	BOLT,FLANGED,6X12		4	4		
92161	92161-0499	DAMPER,ASWV		1	1		
92171	92171-0643	CLAMP		1	1		
92171A	92171-1687	CLAMP,62MM		1	1		
92171B	92171-1888	CLAMP		2	2		
92171C	92171-1890	CLAMP		1	1		
92172	92172-0005	SCREW,6X10		2	2		
92172A	92172-0324	SCREW,5X14		4	4		
92191	92191-1556	TUBE,7X10X300		1	1		
92192	92192-0433	TUBE,CAP-ASWV		1	1		
92192A	92192-0434	TUBE,ASWV-FITTING		1	1		
92192B	92192-0435	TUBE,FITTING-A/C		1	1		
92192C	92192-0594	TUBE,BREATHER		1	1		
92200	92200-0411	WASHER,6.5X20X1.6		1	1		
702	702A0770	TUBE-RUBBER,7X10X70		1	1		



B-7. Muffler(s)

Ref. No.	Part No.	Description	Spec Code	Quantity			
				'11	'12		
				SBF	SCF		
11060	11060-1203	GASKET,EXHAUST PIPE	1	1			
11061	11061-1055	GASKET,EXHAUST PIPE CONNECTING	1	1			
18088	18088-0594	PIPE-EXHAUST	1	1			
18091	18091-0688	BODY-COMP-MUFFLER	1				
18091A	18091-0775	BODY-COMP-MUFFLER		1			
39156	39156-0325	PAD,MUFFLER COVER,RR	1	1			
39156A	39156-0428	PAD,MUFFLER COVER,FR	1	1			
39156B	39156-0518	PAD,MUFFLER COVER,CNT	1	1			
49106	49106-0089	COVER-MUFFLER	1	1			
49107	49107-0062	COVER-EXHAUST PIPE	1	1			
92015	92015-1432	NUT,8MM	1	1			
92153	92153-0578	BOLT,6X8	6	6			
92153A	92153-1350	BOLT,SOCKET,8X25	1	1			
92154	92154-0059	BOLT,FLANGED,8X16	2	2			
92171	92171-0631	CLAMP	1	1			
92200	92200-0449	WASHER,8.1X15X2.3	2	2			
92210	92210-0076	NUT,8MM	2	2			
461	461S0600	WASHER-SPRING,6MM	6	6			

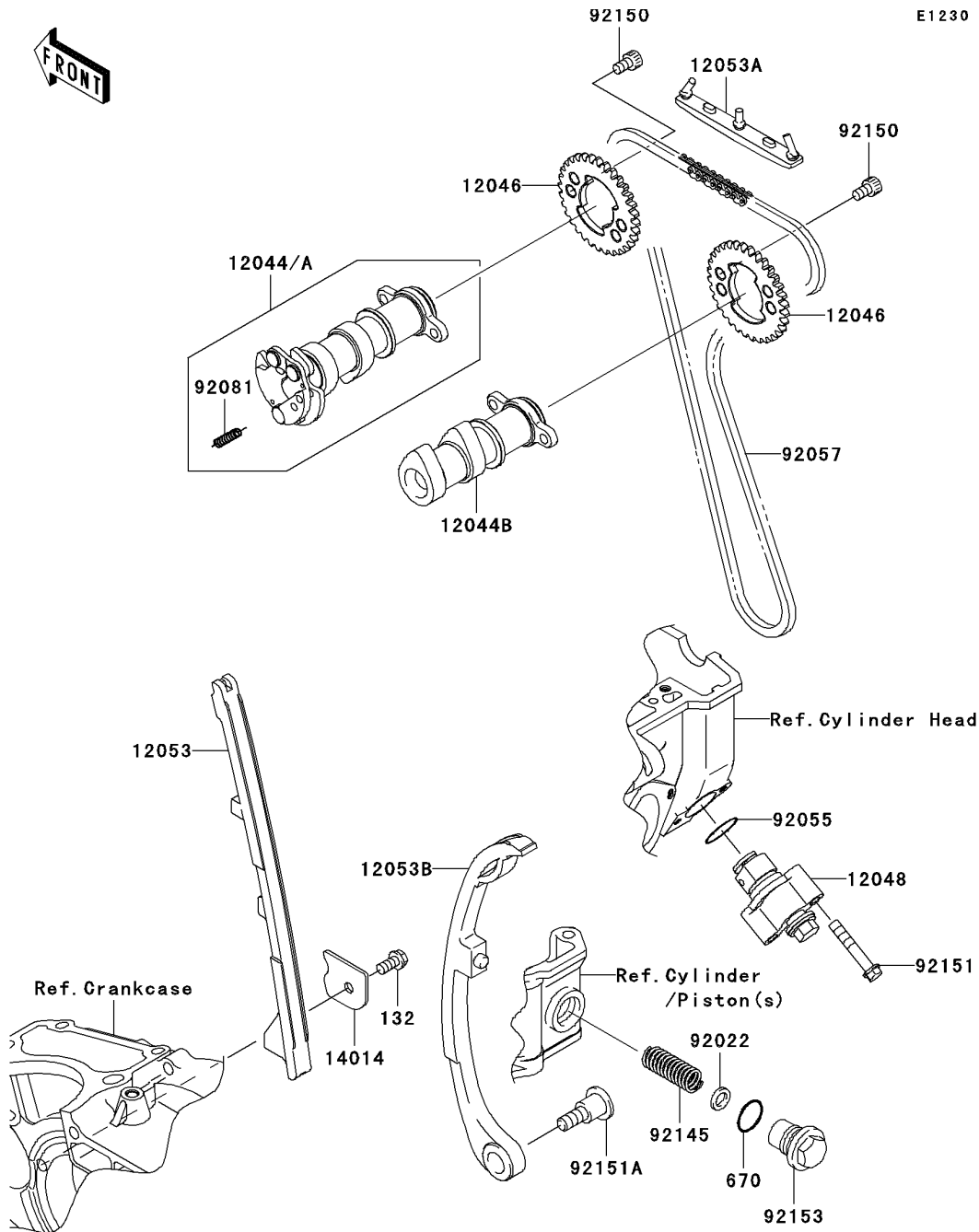


B-8. Valve(s)

Ref. No.	Part No.	Description	Spec Code	Quantity			
				'11	'12		
			SBF	SCF			
12004	12004-1111	VALVE-INTAKE		2	2		
12005	12005-0029	VALVE-EXHAUST		2	2		
12009	12009-1069	RETAINER-VALVE SPRING		4	4		
12011	12011-1053	COLLET		8	8		
12032	12032-1058	TAPPET		4	4		
16007	16007-1163	SEAT-SPRING		4	4		
49078	49078-1094	SPRING-ENGINE VALVE, OUTER		4	4		
49078A	49078-1114	SPRING-ENGINE VALVE, INNER		4	4		
92049	92049-1349	SEAL-OIL, VSB 4.3 7.5 5.3 8.3		4	4		
92180	92180-1014	SHIM, T=2.50		4	4		
92180A	92180-1016	SHIM, T=2.55		AR	AR		
92180B	92180-1018	SHIM, T=2.60		AR	AR		
92180C	92180-1020	SHIM, T=2.65		AR	AR		
92180D	92180-1022	SHIM, T=2.70		AR	AR		
92180E	92180-1024	SHIM, T=2.75		AR	AR		
92180F	92180-1026	SHIM, T=2.80		AR	AR		
92180G	92180-1028	SHIM, T=2.85		AR	AR		
92180H	92180-1030	SHIM, T=2.90		AR	AR		
92180I	92180-1032	SHIM, T=2.95		AR	AR		
92180J	92180-1034	SHIM, T=3.00		AR	AR		
92180K	92180-1036	SHIM, T=3.05		AR	AR		
92180L	92180-1038	SHIM, T=3.10		AR	AR		
92180M	92180-1040	SHIM, T=3.15		AR	AR		
92180N	92180-1042	SHIM, T=3.20		AR	AR		
92180O	92180-1044	SHIM, T=3.25		AR	AR		
92180P	92180-1046	SHIM, T=3.30		AR	AR		
92180Q	92180-1048	SHIM, T=3.35		AR	AR		
92180R	92180-1050	SHIM, T=3.40		AR	AR		
92180S	92180-1052	SHIM, T=3.45		AR	AR		
92180T	92180-1054	SHIM, T=3.50		AR	AR		

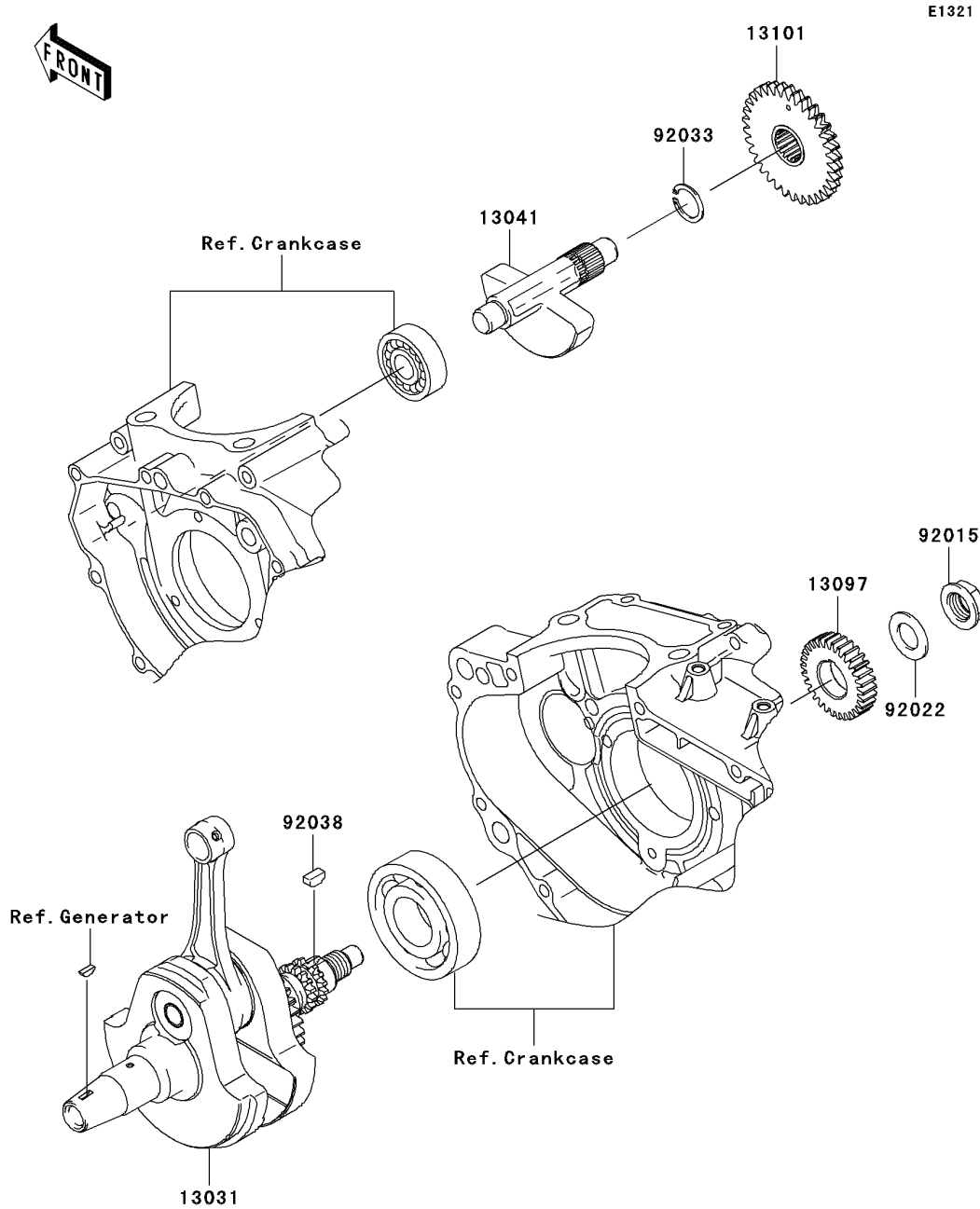


E1230



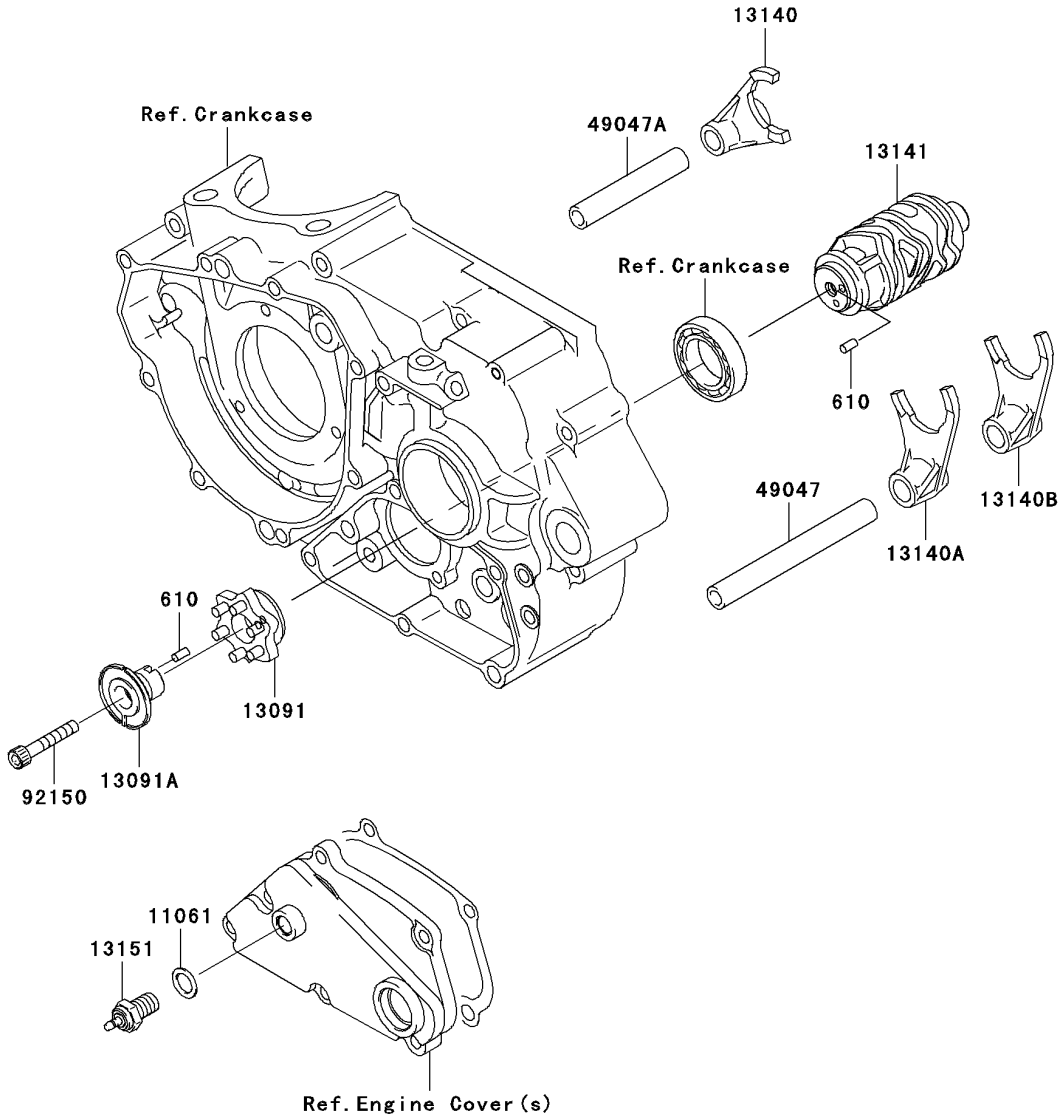
Ref. No.	Part No.	Description	Spec Code	Quantity			
				'11	'12		
				SBF	SCF		
12044	12044-0175	CAMSHAFT-VALVE,EXHAUST			1		
12044A	12044-0746	CAMSHAFT-VALVE,EXHAUST				1	
12044B	12044-1327	CAMSHAFT-VALVE,INTAKE			1	1	
12046	12046-0001	SPROCKET,CAMSHAFT,32T			2	2	
12048	12048-0054	TENSIONER-ASSY			1	1	
12053	12053-1315	GUIDE-CHAIN,FR			1	1	
12053A	12053-1317	GUIDE-CHAIN,UPP			1	1	
12053B	12053-1391	GUIDE-CHAIN,RR			1	1	
14014	14014-1130	PLATE-POSITION			1	1	
92022	92022-1108	WASHER,8.5X13.5X2			1	1	
92055	92055-086	RING-O,18.8X1.9			1	1	
92057	92057-1416	CHAIN,CAM,92RH2010			1	1	
92081	92081-1626	SPRING,DECOMPRESSOR			1	1	
92145	92145-0367	SPRING,TENSIONER			1	1	
92150	92150-1650	BOLT,SOCKET,6X10			4	4	
92151	92151-1135	BOLT,6X35			2	2	
92151A	92151-1154	BOLT,L=30			1	1	
92153	92153-0650	BOLT,TENSIONER			1	1	
132	132BB0612	BOLT-FLANGED-SMALL,6X12			1	1	
670	670B2018	O RING,18MM			1	1	

B-10. Crankshaft



E1321

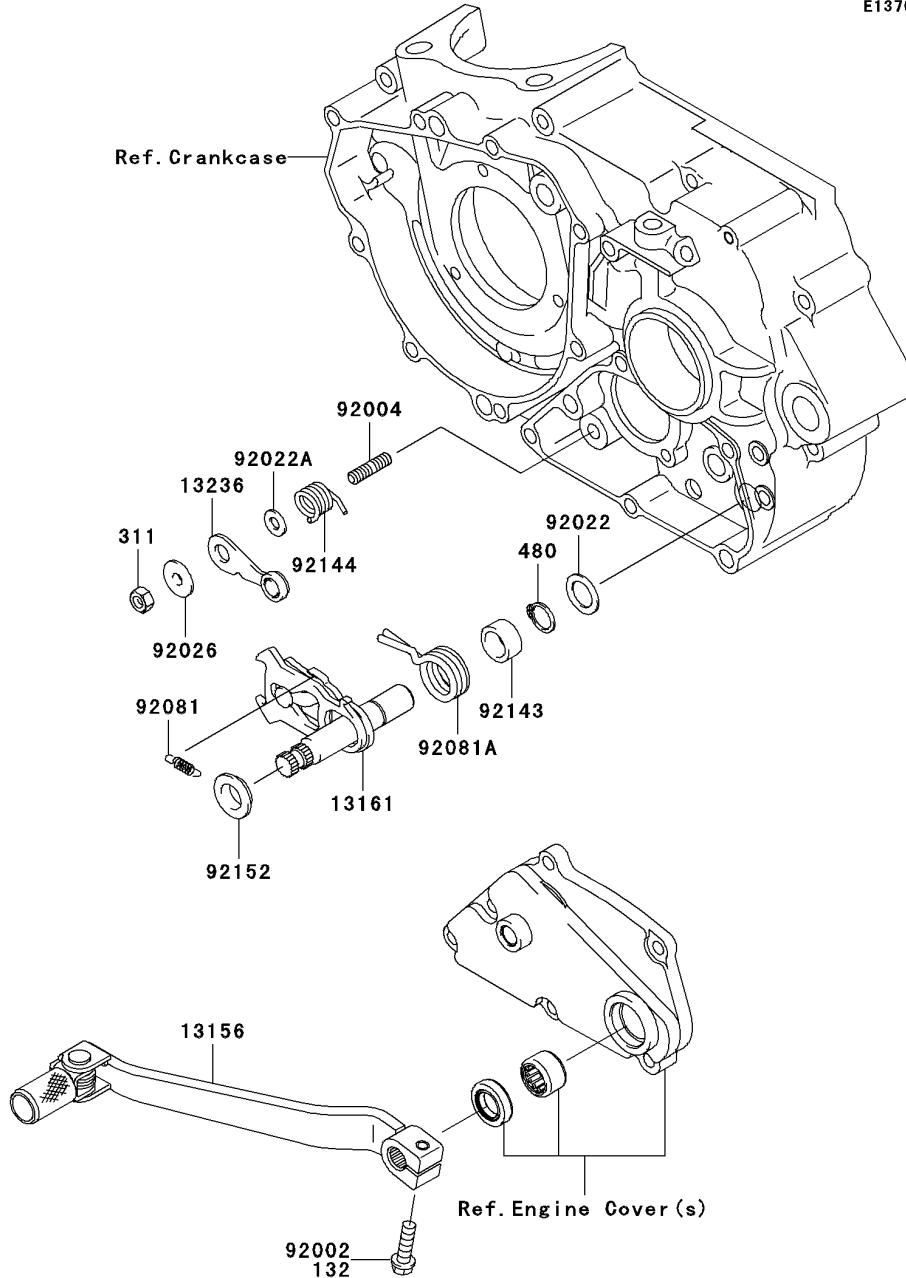
Ref. No.	Part No.	Description	Spec Code	Quantity			
				'11 SBF	'12 SCF		
13031	13031-0103	CRANKSHAFT-COMP		1	1		
13041	13041-0001	BALANCER		1	1		
13097	13097-0087	GEAR-PRIMARY SPUR,30T		1	1		
13101	13101-1253	GEAR-ASSY,BALANCER		1	1		
92015	92015-1581	NUT,16MM		1	1		
92022	92022-1356	WASHER,16.3X29X1.75		1	1		
92033	92033-029	RING-SNAP,18MM		1	1		
92038	92038-1057	KEY		1	1		



B-13. Gear Change Drum/Shift Fork(s)

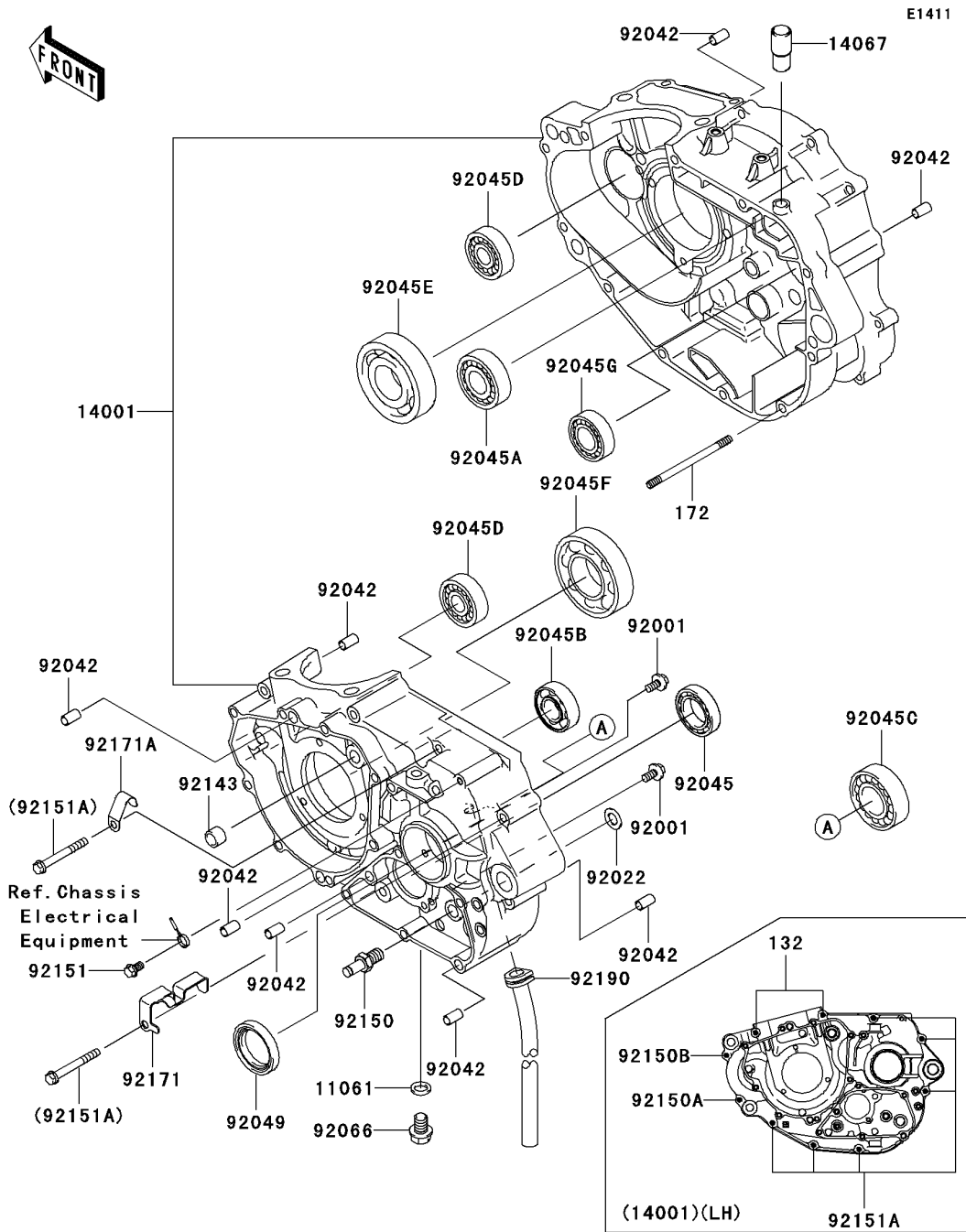
Ref. No.	Part No.	Description	Spec Code	Quantity			
				'11 SBF	'12 SCF		
11061	11061-0373	GASKET,10.5X16X1		1	1		
13091	13091-1856	HOLDER,CHANGE DRUM		1	1		
13091A	13091-1862	HOLDER,CHANGE DRUM		1	1		
13140	13140-1216	FORK-SHIFT,5TH&TOP		1	1		
13140A	13140-1217	FORK-SHIFT,2ND&3RD		1	1		
13140B	13140-1218	FORK-SHIFT,LOW&4TH		1	1		
13141	13141-0039	DRUM-CHANGE		1	1		
13151	13151-1080	SWITCH-COMP,NEUTRAL		1	1		
49047	49047-1056	ROD-SHIFT,L=106.7		1	1		
49047A	49047-1057	ROD-SHIFT,L=71.7		1	1		
92150	92150-1484	BOLT,SOCKET,6X35		1	1		
610	610A0408	ROLLER,4X8		2	2		

E1370



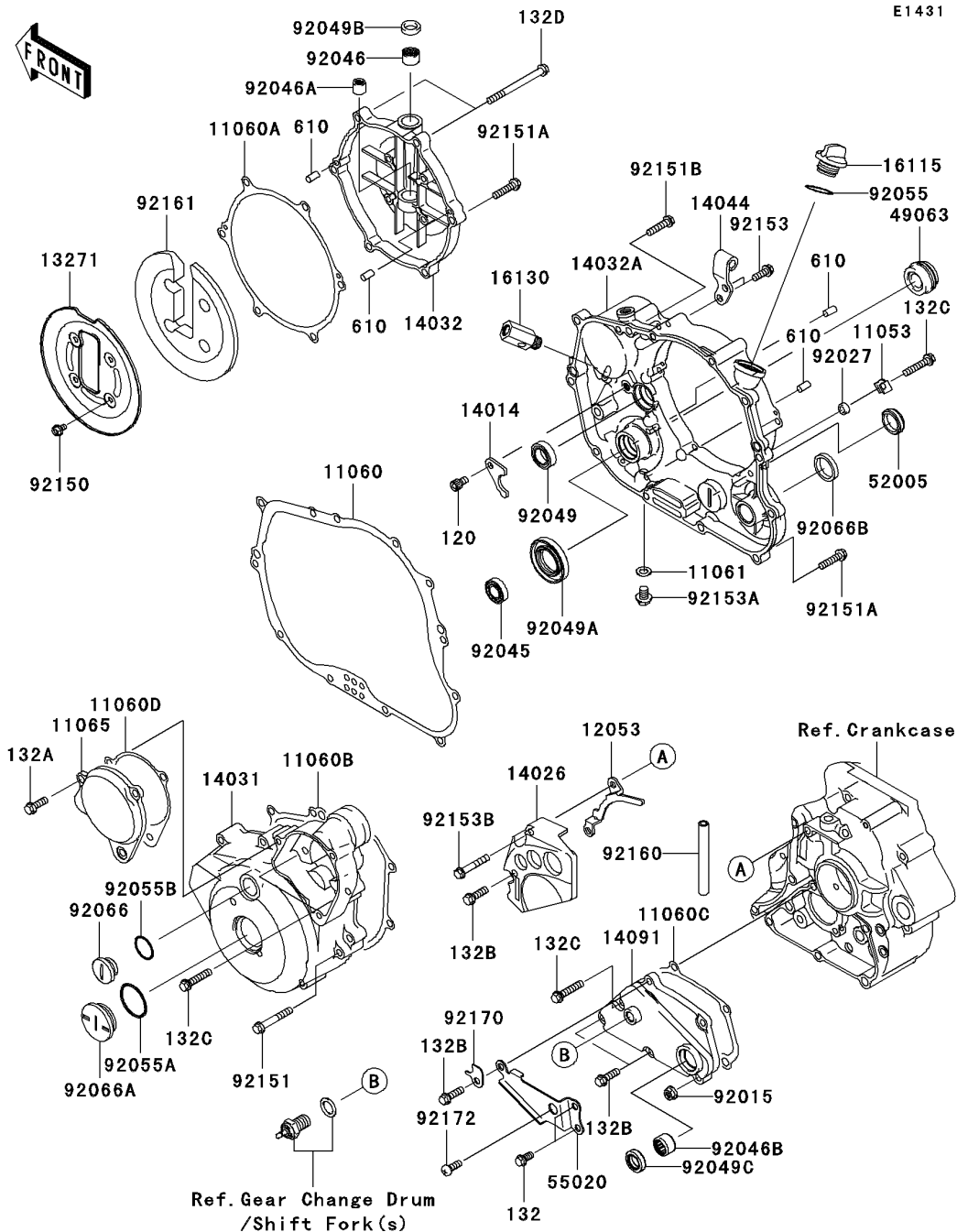
B-14. Gear Change Mechanism

Ref. No.	Part No.	Description	Spec Code	Quantity			
				'11	'12		
				SBF	SCF		
13156	13156-1480	LEVER-CHANGE,PEDAL	1	1			
13161	13161-1214	LEVER-COMP-CHANGE SHAFT	1	1			
13236	13236-1209	LEVER-COMP,NEUTRAL POSITION	1	1			
92002	92002-1237	BOLT,6X20		1			
92004	92004-0032	STUD,6X12	1	1			
92022	92022-1496	WASHER,13.3X20X1	1	1			
92022A	92022-1827	WASHER,6X12.8X1.2	1	1			
92026	92026-1217	SPACER	1	1			
92081	92081-076	SPRING,CHANGE LEVER	1	1			
92081A	92081-1129	SPRING,TENSION	1	1			
92143	92143-1148	COLLAR	1	1			
92144	92144-1695	SPRING	1	1			
92152	92152-1075	COLLAR	1	1			
132	132BC0620	BOLT-FLANGED-SMALL,6X20	1	1			
311	311BA0600	NUT-HEX	1	1			
480	480J1300	CIRCLIP-TYPE-C,13MM	1	1			



Ref. No.	Part No.	Description	Spec Code	Quantity			
				'11	'12		
				SBF	SCF		
11061	11061-0222	GASKET,10.5X16X2		1	1		
14001	14001-0138	SET-CRANKCASE		1	1		
14067	14067-006	FITTING,BREATHER		1	1		
92001	92001-1829	BOLT,W/WASHER,6X14		2	2		
92022	92022-1415	WASHER,10.2X18X1.0,SK5		1	1		
92042	92042-007	PIN,DOWEL,6.3X8X14		8	8		
92045	92045-036	BEARING-BALL,#6905		1	1		
92045A	92045-1041	BEARING-BALL,TMB204 JR		1	1		
92045B	92045-1287	BEARING-BALL,TMB203LU		1	1		
92045C	92045-1288	BEARING-BALL,TMB205LU		1	1		
92045D	92045-1346	BEARING-BALL,TMB302JR2		2	2		
92045E	92045-1347	BEARING-BALL,TMB306JR2		1	1		
92045F	92045-1348	BEARING-BALL,3TM-6207CJR2		1	1		
92045G	92045-1414	BEARING-BALL,DG204012		1	1		
92049	92049-1577	SEAL-OIL,TC32457		1	1		
92066	92066-0143	PLUG,DRAIN		1	1		
92143	92143-1263	COLLAR		1	1		
92150	92150-1803	BOLT,RETURN SPRING		1	1		
92150A	92150-1874	BOLT-SOCKET,6X50		1	1		
92150B	92150-1875	BOLT-SOCKET,6X35		1	1		
92151	92151-1233	BOLT,FLANGED,6X10		1	1		
92151A	92151-1234	BOLT,6X50		6	6		
92171	92171-1823	CLAMP		1	1		
92171A	92171-1918	CLAMP		1	1		
92190	92190-1493	TUBE		1	1		
132	132BC0670	BOLT-FLANGED-SMALL,6X70		2	2		
172	172BA0680	BOLT-STUD,6X80		1	1		

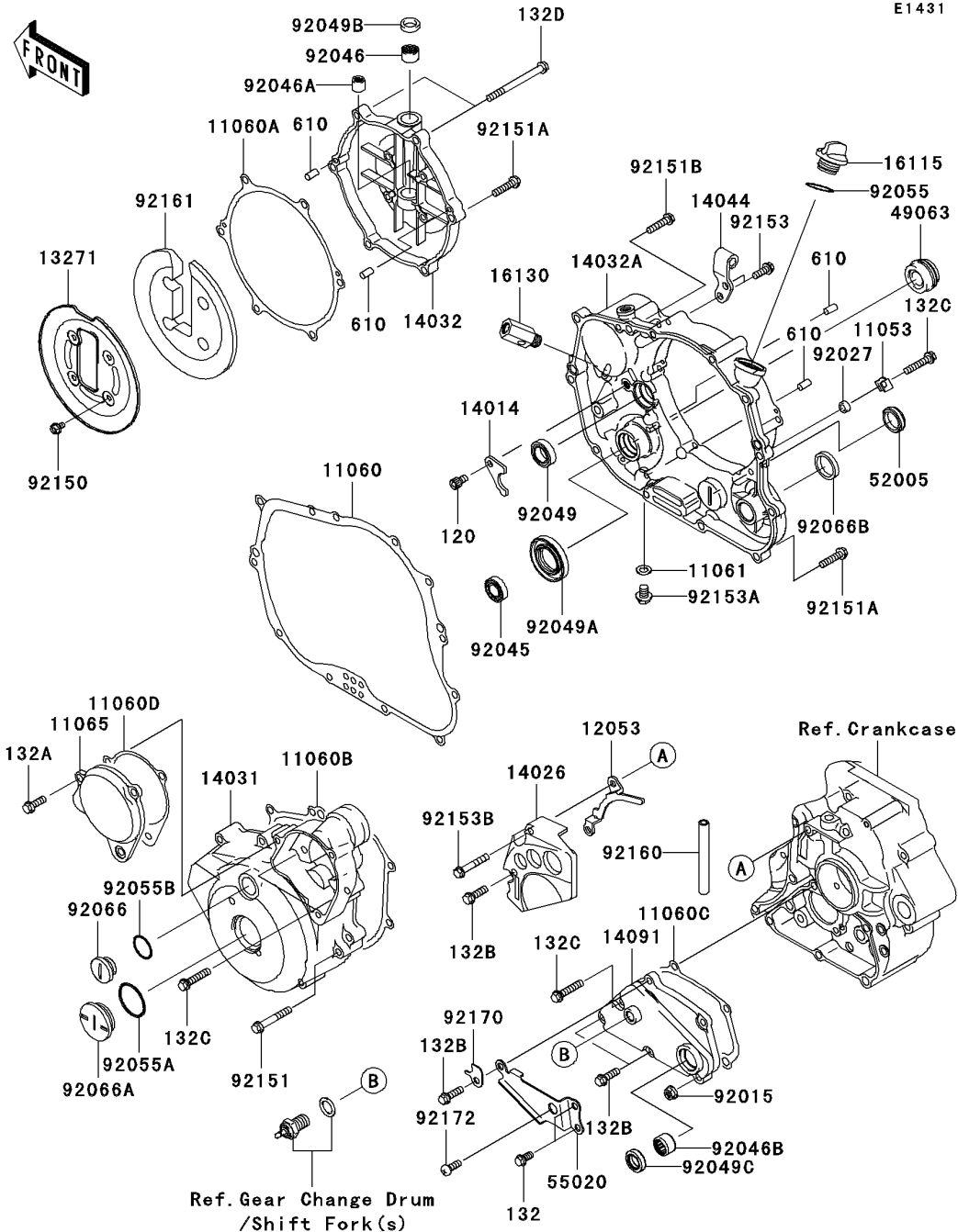
'11-'12 KLX250 SBF/SCF



C-4. Engine Cover(s)(1/2)

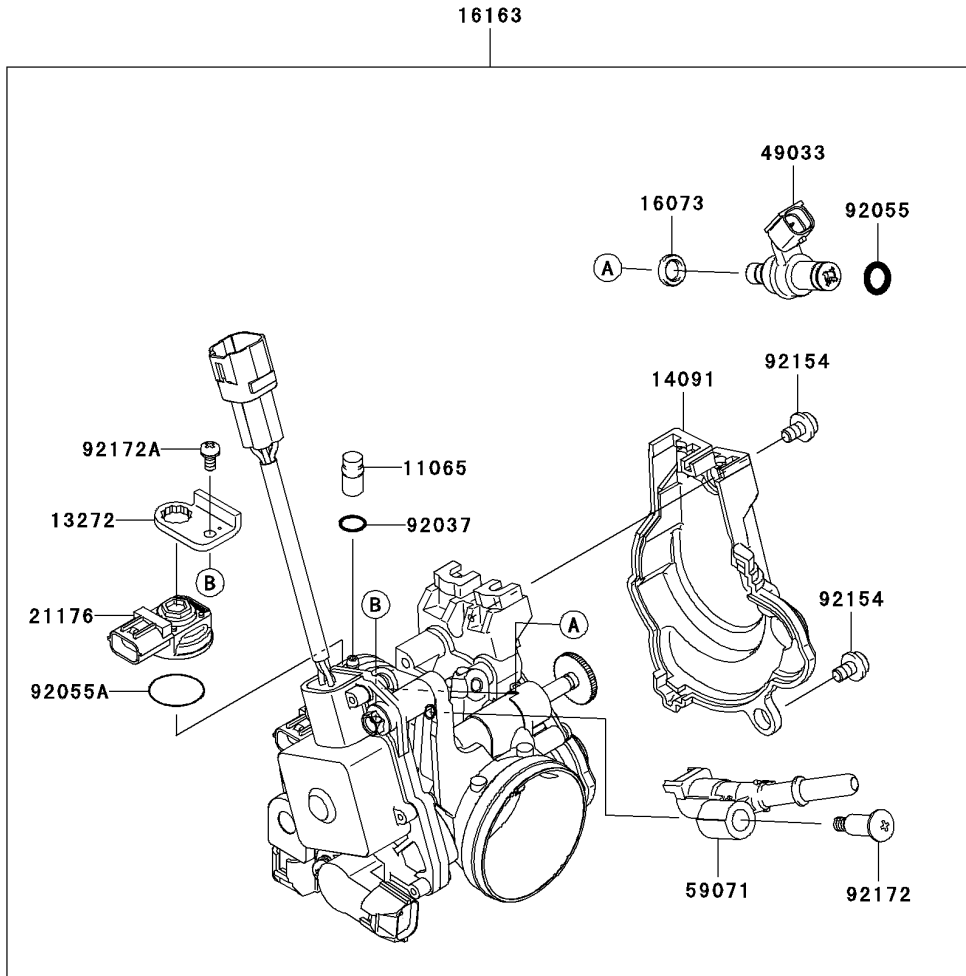
Ref. No.	Part No.	Description	Spec Code	Quantity			
				'11	'12		
				SBF	SCF		
11053	11053-1656	BRACKET		1	1		
11060	11060-1324	GASKET,CLUTCH COVER INNER		1	1		
11060A	11060-1325	GASKET,CLUTCH COVER OUTER		1	1		
11060B	11060-1326	GASKET,GENERATOR COVER		1	1		
11060C	11060-1327	GASKET,TRANSMISSION COVER		1	1		
11060D	11060-1641	GASKET,CAP		1	1		
11061	11061-0418	GASKET,8.2X14X1.0		1	1		
11065	11065-0274	CAP,GENERATOR COVER		1	1		
12053	12053-1337	GUIDE-CHAIN		1	1		
13271	13271-1567	PLATE		1	1		
14014	14014-1062	PLATE-POSITION		1	1		
14026	14026-0027	COVER-CHAIN		1	1		
14031	14031-0110	COVER-GENERATOR		1	1		
14032	14032-0004	COVER-CLUTCH		1	1		
14032A	14032-0005	COVER-CLUTCH,INNER		1	1		
14044	14044-1078	HOLDER-CABLE		1	1		
14091	14091-0019	COVER		1	1		
16115	16115-1053	CAP-OIL FILLER		1	1		
16130	16130-1001	VALVE-ASSY-RELIEF		1	1		
49063	49063-1055	SEAL-MECHANICAL,WATER		1	1		
52005	52005-1009	GAUGE,OIL LEVEL		1	1		
55020	55020-1460	GUARD,TRANSMISSION COVER		1	1		
92015	92015-1367	NUT,FLANGED,6MM		1	1		
92027	92027-1885	COLLAR,6.5X10.5X4.5		1	1		
92045	92045-1246	BEARING-BALL,6901		1	1		
92046	92046-0034	BEARING-NEEDLE,HK1210FM		1	1		
92046A	92046-0042	BEARING-NEEDLE		1	1		
92046B	92046-1148	BEARING-NEEDLE,HK1312		1	1		
92049	92049-1191	SEAL-OIL		1	1		
92049A	92049-1228	SEAL-OIL,SC 12X22X5		1	1		
92049B	92049-1262	SEAL-OIL,AG0353-F0		1	1		
92049C	92049-1559	SEAL-OIL		1	1		
92055	92055-012	RING-O		1	1		
92055A	92055-091	RING-O,27.7X2.4		1	1		
92055B	92055-1146	RING-O,20X2		1	1		
92066	92066-1397	PLUG		1	1		
92066A	92066-1404	PLUG		1	1		
92066B	92066-1411	PLUG,RCA297		1	1		
92150	92150-1406	BOLT,5X8		4	4		
92151	92151-1131	BOLT,6X40		6	6		

'11-'12 KLX250 SBF/SCF



C-5. Engine Cover(s)(2/2)

Ref. No.	Part No.	Description	Spec Code	Quantity			
				'11	'12		
				SBF	SCF		
92151A	92151-1930	BOLT,FLANGED-SMALL,6X25		11	11		
92151B	92151-1934	BOLT,6X25		1	1		
92153	92153-0695	BOLT,6X16		2	2		
92153A	92153-1342	BOLT,FLANGED,8X10		1	1		
92153B	92153-1351	BOLT,FLANGED,6X35		1	1		
92160	92160-1866	DAMPER		1	1		
92161	92161-1182	DAMPER		1	1		
92170	92170-1785	CLAMP		1	1		
92172	92172-0223	SCREW,6X16		1	1		
120	120CA0610	BOLT-SOCKET,6X10		1	1		
132	132BC0612	BOLT-FLANGED-SMALL,6X12		2	2		
132A	132BC0618	BOLT-FLANGED-SMALL,6X18		3	3		
132B	132BC0620	BOLT-FLANGED-SMALL,6X20		4	4		
132C	132BC0630	BOLT-FLANGED-SMALL,6X30		4	4		
132D	132BC0670	BOLT-FLANGED-SMALL,6X70		2	2		
610	610A0408	ROLLER,4X8		4	4		



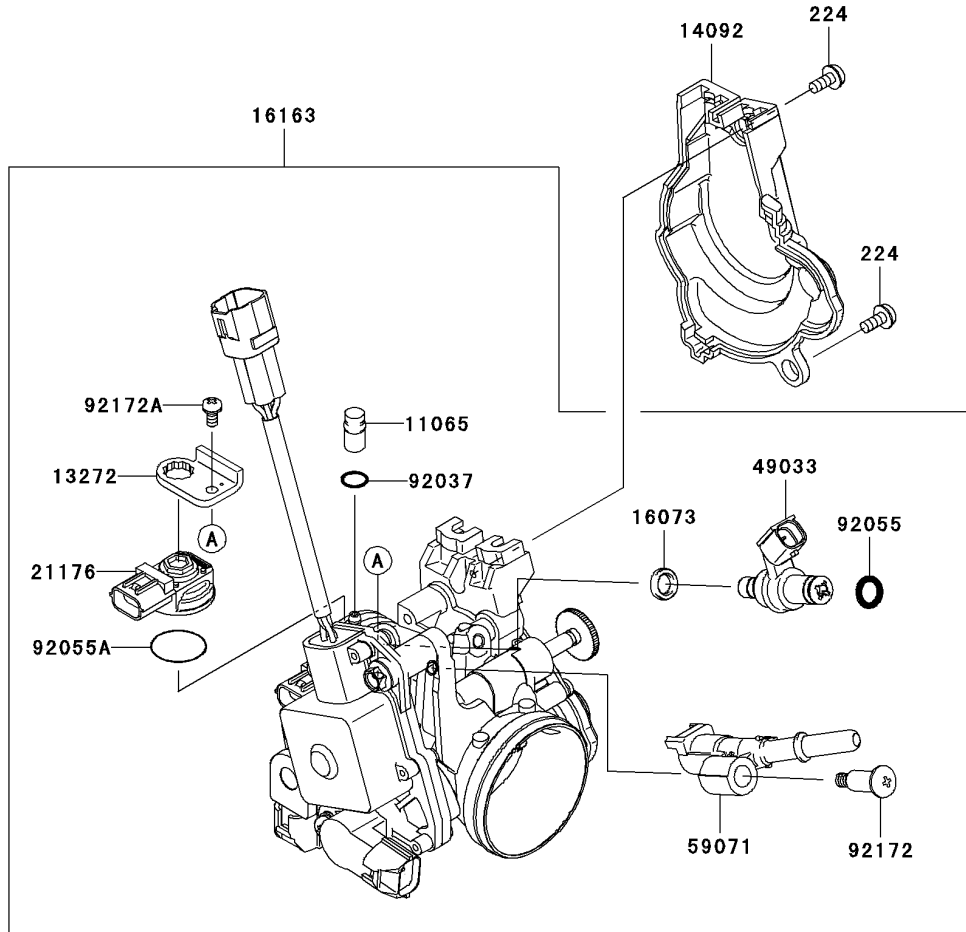
C-6. Throttle(SBF)

Ref. No.	Part No.	Description	Spec Code	Quantity			
				'11	'12		
			SBF	SCF			
11065	11065-0018	CAP			1		
13272	13272-0676	PLATE			1		
14091	14091-1714	COVER			1		
16073	16073-0077	INSULATOR			1		
16163	16163-0134	THROTTLE-ASSY,D34			1		
21176	21176-0122	SENSOR			1		
49033	49033-0016	NOZZLE-INJECTION			1		
59071	59071-0063	JOINT			1		
92037	92037-1142	CLAMP,TUBE			1		
92055	92055-0170	RING-O			1		
92055A	92055-0184	RING-O			1		
92154	92154-0133	BOLT			2		
92172	92172-0064	SCREW,PIPE INJECTION			1		
92172A	92172-0415	SCREW			1		



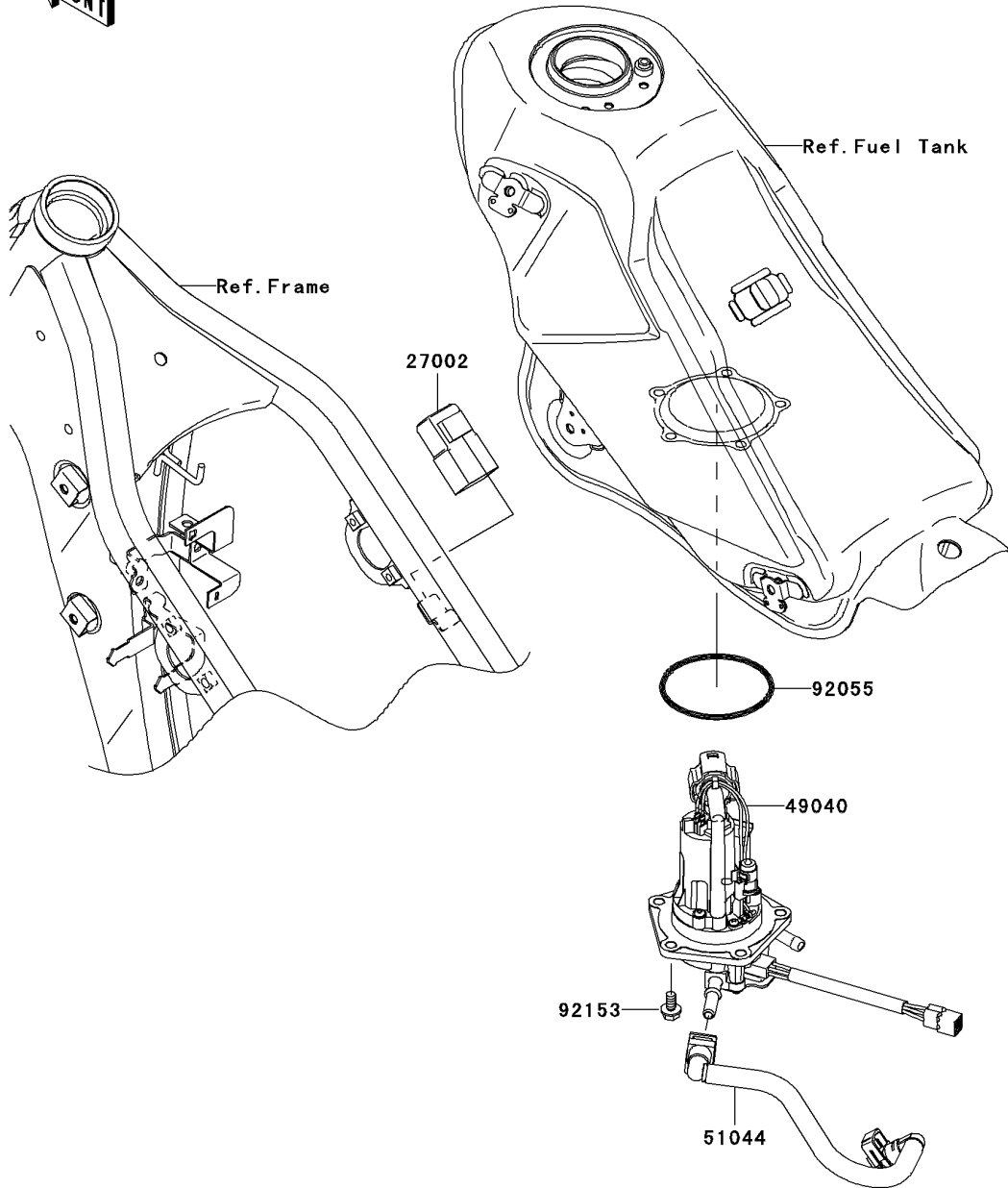
E1510A

C-7. Throttle(SCF)



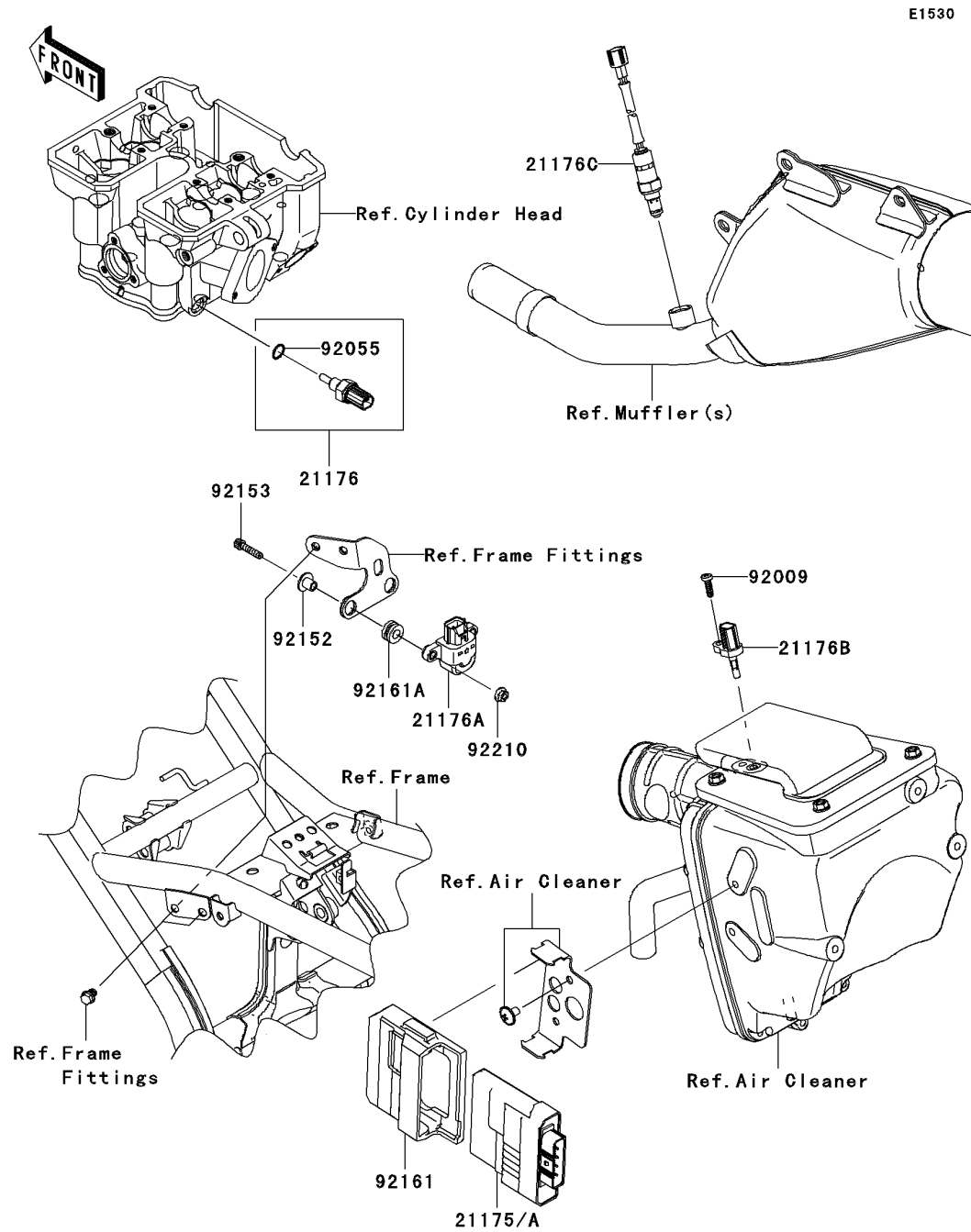
Ref. No.	Part No.	Description	Spec Code	Quantity			
				'11	'12		
				SBF	SCF		
11065	11065-0018	CAP				1	
13272	13272-0676	PLATE				1	
14092	14092-0887	COVER				1	
16073	16073-0077	INSULATOR				1	
16163	16163-0724	THROTTLE-ASSY				1	
21176	21176-0122	SENSOR				1	
49033	49033-0016	NOZZLE-INJECTION				1	
59071	59071-0063	JOINT				1	
92037	92037-1142	CLAMP,TUBE				1	
92055	92055-0170	RING-O				1	
92055A	92055-0184	RING-O				1	
92172	92172-0064	SCREW,PIPE INJECTION				1	
92172A	92172-0415	SCREW				1	
224	224AB0510	SCREW-PAN-WP-CROSS,5X10				2	

E1520



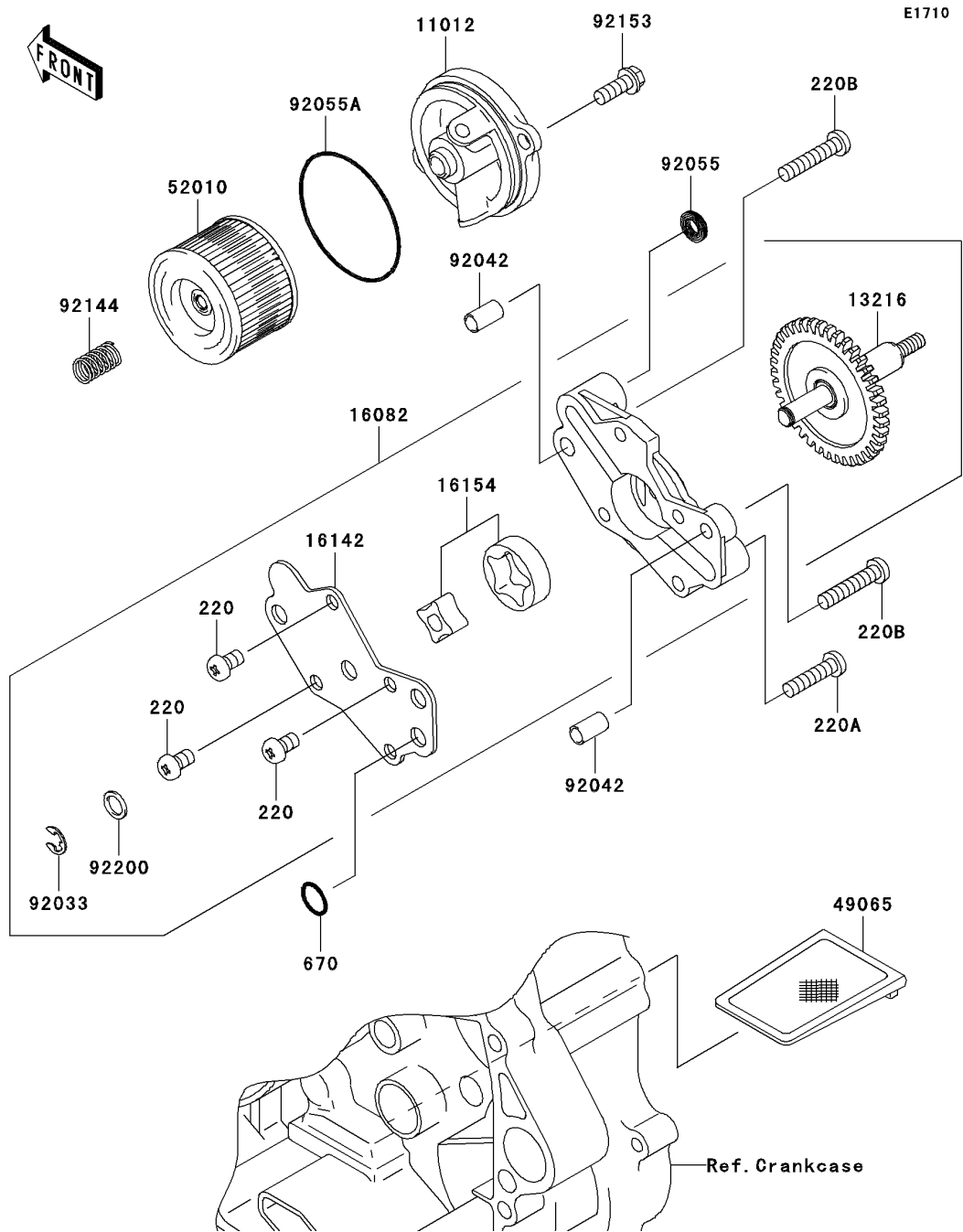
C-8. Fuel Pump

Ref. No.	Part No.	Description	Spec Code	Quantity			
				'11	'12		
				SBF	SCF		
27002	27002-1086	RELAY-ASSY		1	1		
49040	49040-0027	PUMP-FUEL		1	1		
51044	51044-0040	TUBE-ASSY,FUEL		1	1		
92055	92055-0185	RING-O,64.6X5.7		1	1		
92153	92153-1283	BOLT,FLANGED,6X12		5	5		



Ref. No.	Part No.	Description	Spec Code	Quantity			
				'11 SBF	'12 SCF		
21175	21175-0359	CONTROL UNIT-ELECTRONIC		1			
21175A	21175-0777	CONTROL UNIT-ELECTRONIC			1		
21176	21176-0009	SENSOR,WATER TEMP		1	1		
21176A	21176-0026	SENSOR,VEHICLE-DOWN		1	1		
21176B	21176-0048	SENSOR,AIR TEMPERATURE		1	1		
21176C	21176-0094	SENSOR,OXYGEN		1	1		
92009	92009-1984	SCREW,TAPPING,5X16		1	1		
92055	92055-0016	RING-O,9.5X1.9		1	1		
92152	92152-0134	COLLAR		2	2		
92153	92153-1597	BOLT,SOCKET,5X22		2	2		
92161	92161-0462	DAMPER,ECU		1	1		
92161A	92161-0685	DAMPER		2	2		
92210	92210-0007	NUT,FLANGED,5MM		2	2		

'11-'12 KLX250 SBF/SCF

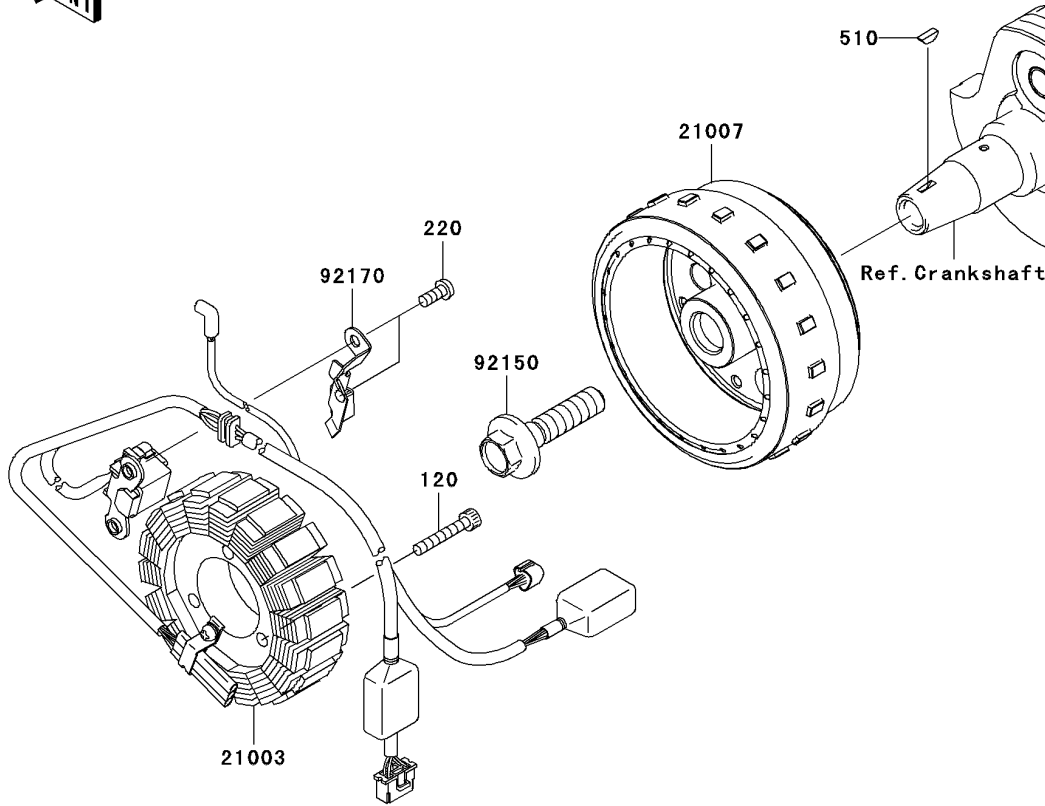


C-10. Oil Pump

Ref. No.	Part No.	Description	Spec Code	Quantity			
				'11	'12		
				SBF	SCF		
11012	11012-1915	CAP,OIL FILTER		1	1		
13216	13216-1193	GEAR-COMP,OIL PUMP		1	1		
16082	16082-1163	PUMP-ASSY-OIL		1	1		
16142	16142-1123	COVER-PUMP		1	1		
16154	16154-1130	ROTOR-PUMP		1	1		
49065	49065-1058	FILTER-OIL		1	1		
52010	52010-1053	ELEMENT-OIL FILTER		1	1		
92033	92033-1327	RING-SNAP,6MM		1	1		
92042	92042-007	PIN,DOWEL,6.3X8X14		2	2		
92055	92055-074	RING-O,OD=13		1	1		
92055A	92055-1577	RING-O,52.6X2.4		1	1		
92144	92144-1761	SPRING		1	1		
92153	92153-0695	BOLT,6X16		2	2		
92200	92200-1591	WASHER,8.5X12X1.0		1	1		
220	220AA0610	SCREW-PAN-CROSS,6X10		3	3		
220A	220AA0625	SCREW-PAN-CROSS,6X25		1	1		
220B	220AA0630	SCREW-PAN-CROSS,6X30		2	2		
670	670D2010	O RING		1	1		

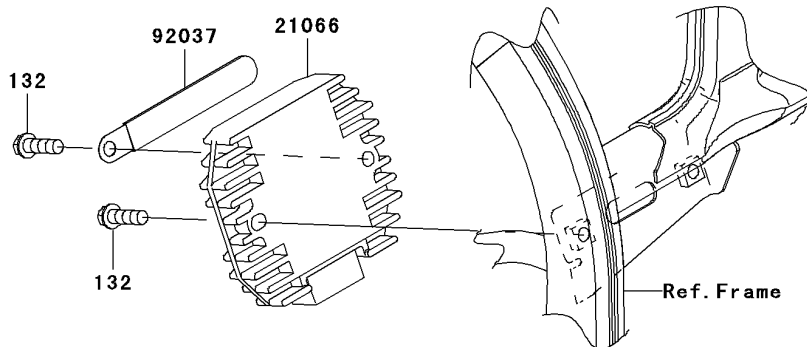


E1810

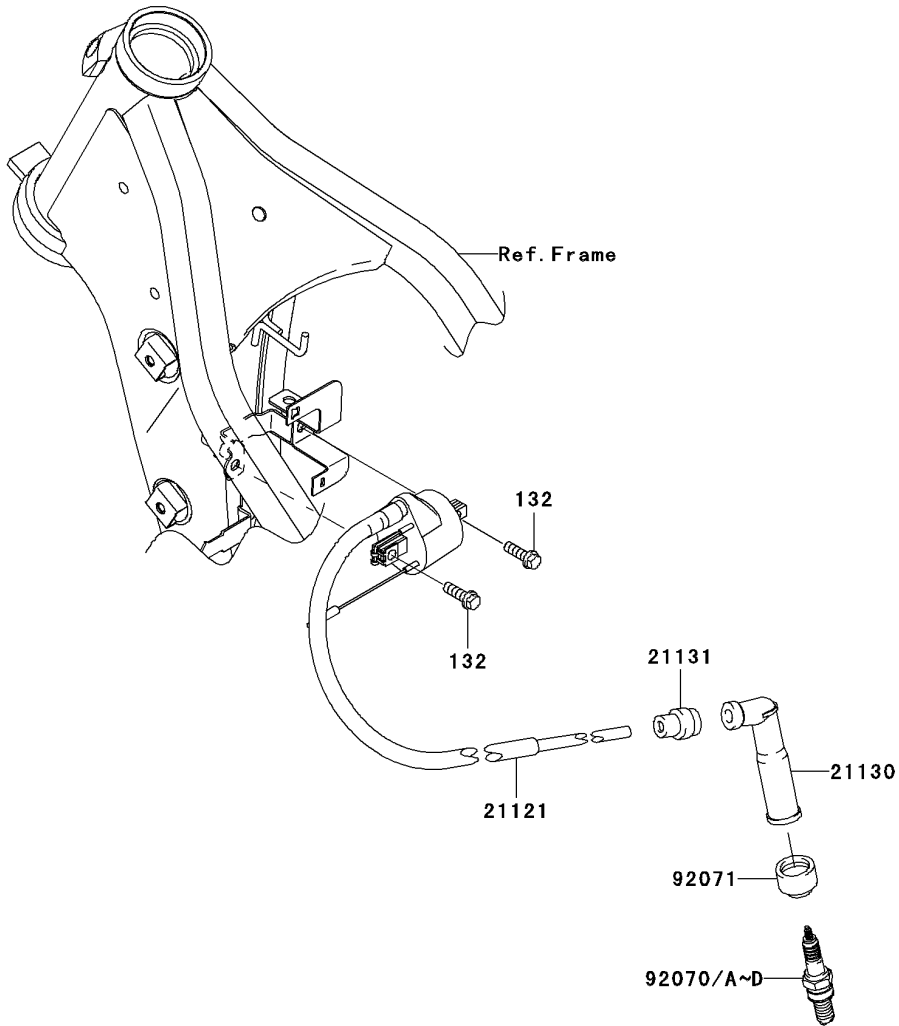


Ref. No.	Part No.	Description	Spec Code	Quantity			
				'11	'12		
				SBF	SCF		

21003	21003-0087	STATOR		1	1		
21007	21007-0100	ROTOR		1	1		
21066	21066-0040	REGULATOR-VOLTAGE		1	1		
92037	92037-1993	CLAMP		1	1		
92150	92150-1708	BOLT,12X50		1	1		
92170	92170-1346	CLAMP		1	1		
120	120CA0530	BOLT-SOCKET,5X30		3	3		
132	132BA0620	BOLT-FLANGED-SMALL,6X20		2	2		
220	220AA0512	SCREW-PAN-CROSS,5X12		2	2		
510	510A3100	KEY-WOODRUFF		1	1		



E1830



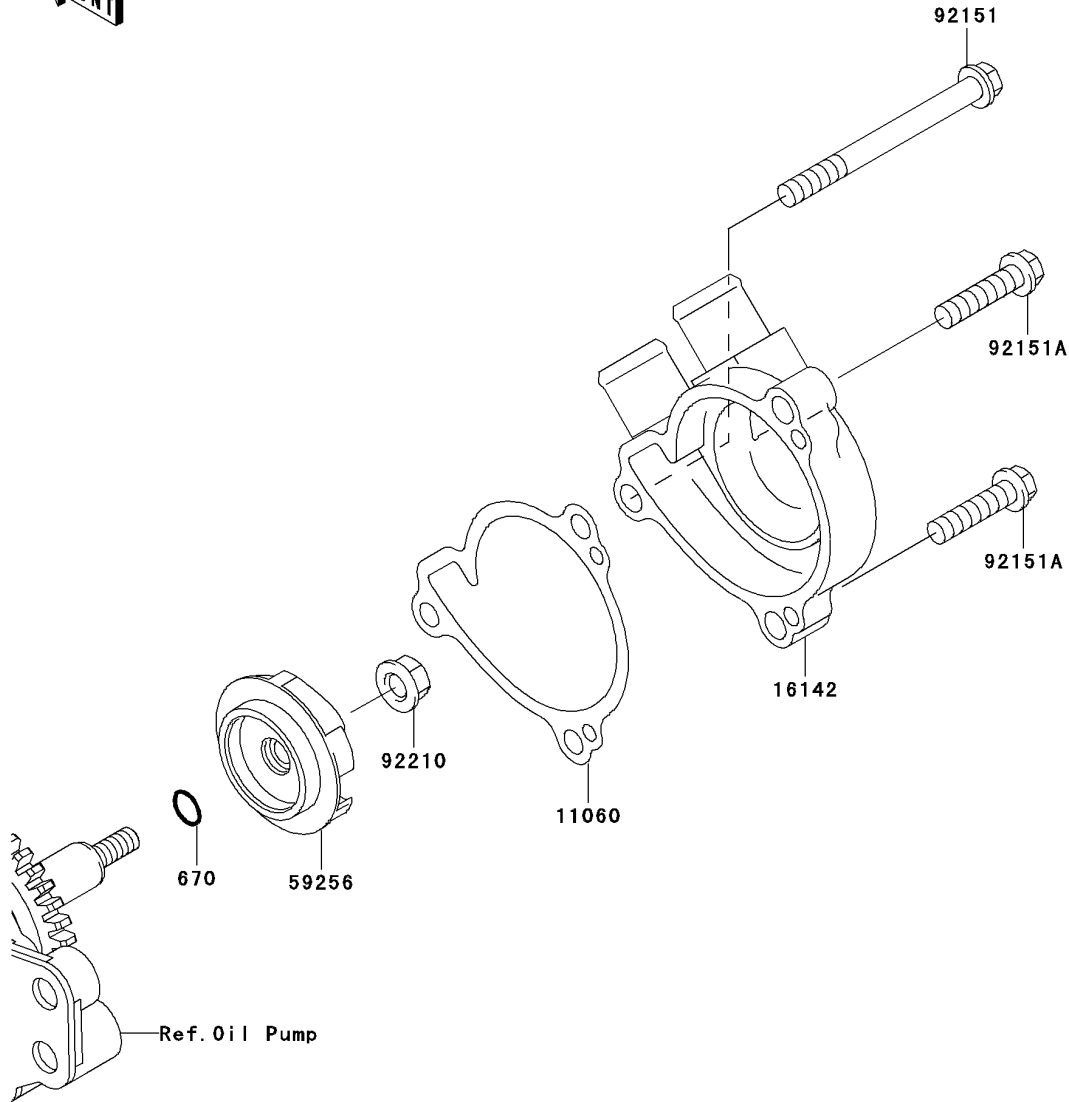
C-12. Ignition System

Ref. No.	Part No.	Description	Spec Code	Quantity			
				'11 SBF	'12 SCF		
21121	21121-0033	COIL-IGNITION		1	1		
21130	21130-1002	CAP-SPARK PLUG		1	1		
21131	21131-005	GROMMET,HIGH TENSION		1	1		
92070	92070-0031	PLUG-SPARK,CR8E(NGK)		1	1		
92070A		PLUG-SPARK,U27ESR-N(ND) (LOCAL PROCUREMENT ITEM) (OPTION)		1	1		
92070B		PLUG-SPARK,U24ESR-N(ND) (LOCAL PROCUREMENT ITEM)		1	1		
92070C	92070-1209	PLUG-SPARK,CR7E(NGK) (OPTION)		1	1		
92070D	92070-1266	PLUG-SPARK,CR9E(NGK) (OPTION)		1	1		
92071	92071-1124	GROMMET,PLUG CAP		1	1		
132	132BC0618	BOLT-FLANGED-SMALL,6X18		2	2		

'11-'12 KLX250 SBF/SCF



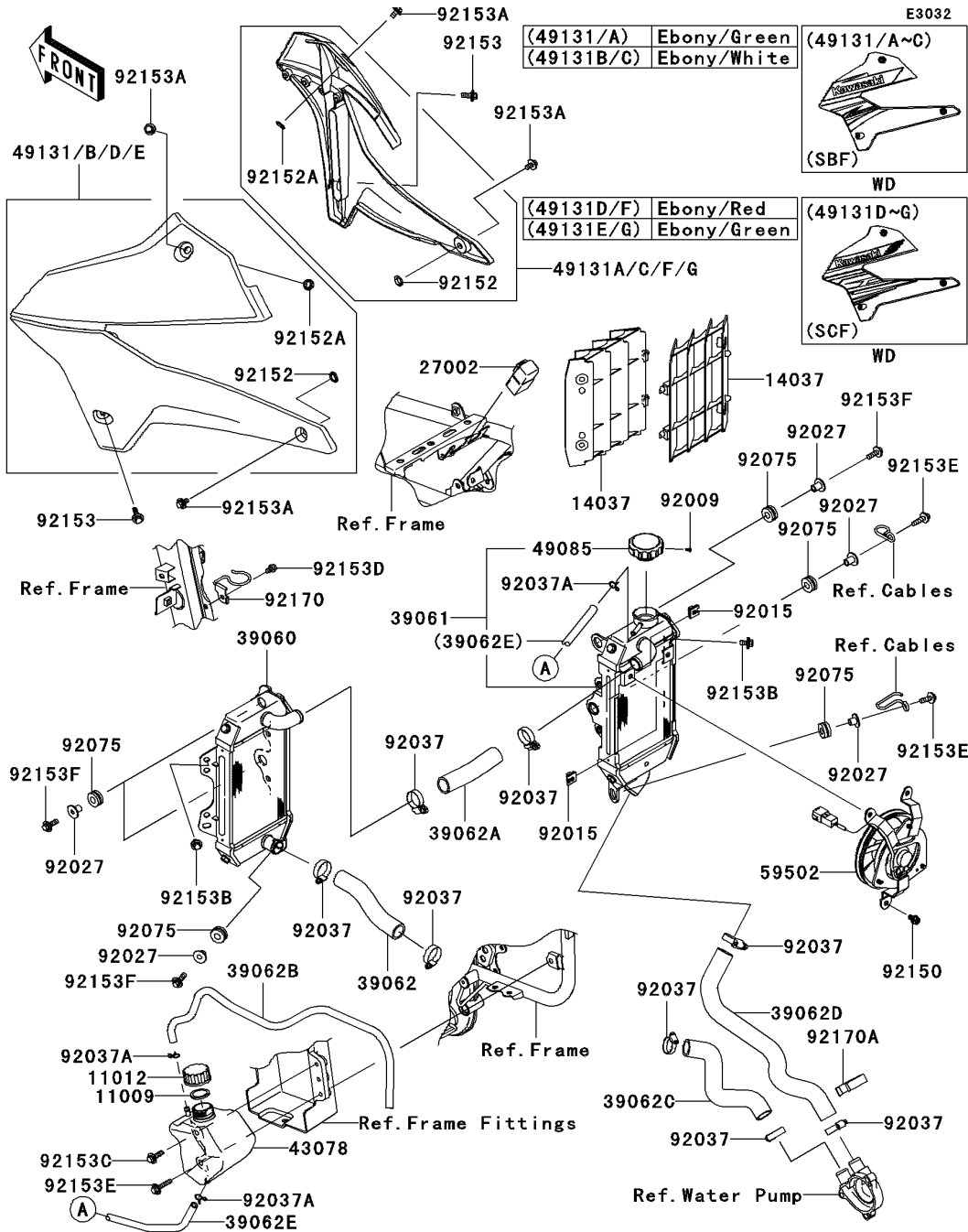
E3031



C-14. Water Pump

Ref. No.	Part No.	Description	Spec Code	Quantity			
				'11 SBF	'12 SCF		
11060	11060-1328	GASKET,PUMP COVER		1	1		
16142	16142-0059	COVER-PUMP		1	1		
59256	59256-1063	IMPELLER		1	1		
92151	92151-1199	BOLT,6X65		1	1		
92151A	92151-1930	BOLT,FLANGED-SMALL,6X25		2	2		
92210	92210-0630	NUT,FLANGED,6MM		1	1		
670	670B1506	O RING,6MM		1	1		

'11-'12 KLX250 SBF/SCF

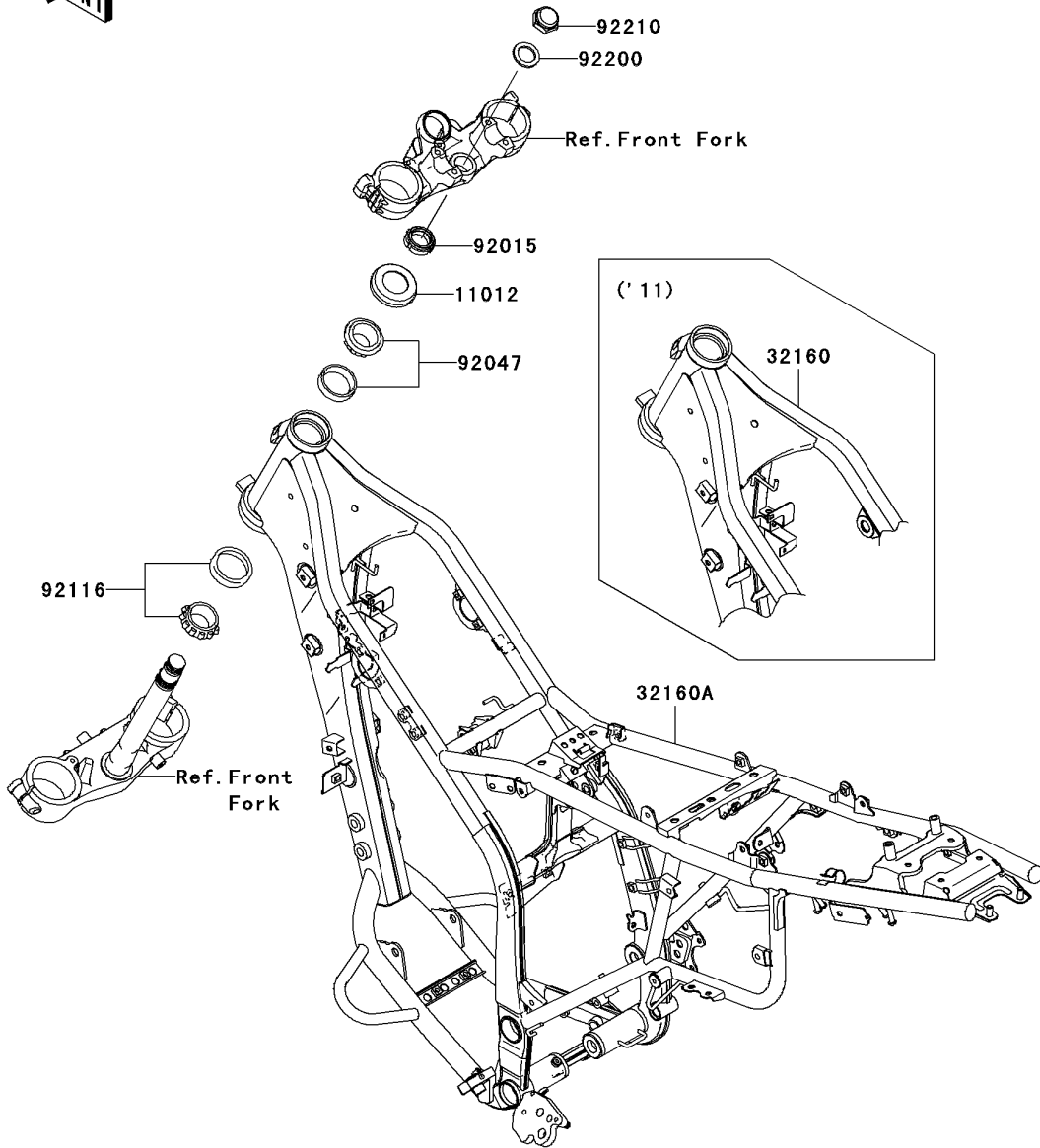


D-3. Radiator(1/2)

Ref. No.	Part No.	Description	Spec Code	Quantity			
				'11	'12		
				SBF	SCF		
11009	11009-1145	GASKET,RESERVOIR TANK CAP		1	1		
11012	11012-1084	CAP		1	1		
14037	14037-0067-6C	SCREEN,EBONY		2	2		
27002	27002-1086	RELAY-ASSY		1	1		
39060	39060-0038	RADIATOR,LH		1	1		
39061	39061-0182	RADIATOR-ASSY,RH		1	1		
39062	39062-0199	HOSE-COOLING,HEAD-RAD,LH		1	1		
39062A	39062-0200	HOSE-COOLING,RAD. LH-RAD. RH		1	1		
39062B	39062-0204	HOSE-COOLING,OVERFLOW		1	1		
39062C	39062-1563	HOSE-COOLING,PUMP-CYLINDER		1	1		
39062D	39062-1564	HOSE-COOLING,RADIATOR-PUMP		1	1		
39062E	39062-1786	HOSE-COOLING,RESERVOIR		1	1		
43078	43078-0044	RESERVOIR		1	1		
49085	49085-1075	CAP-ASSY-PRESSURE		1	1		

'11-'12 KLX250 SBF/SCF

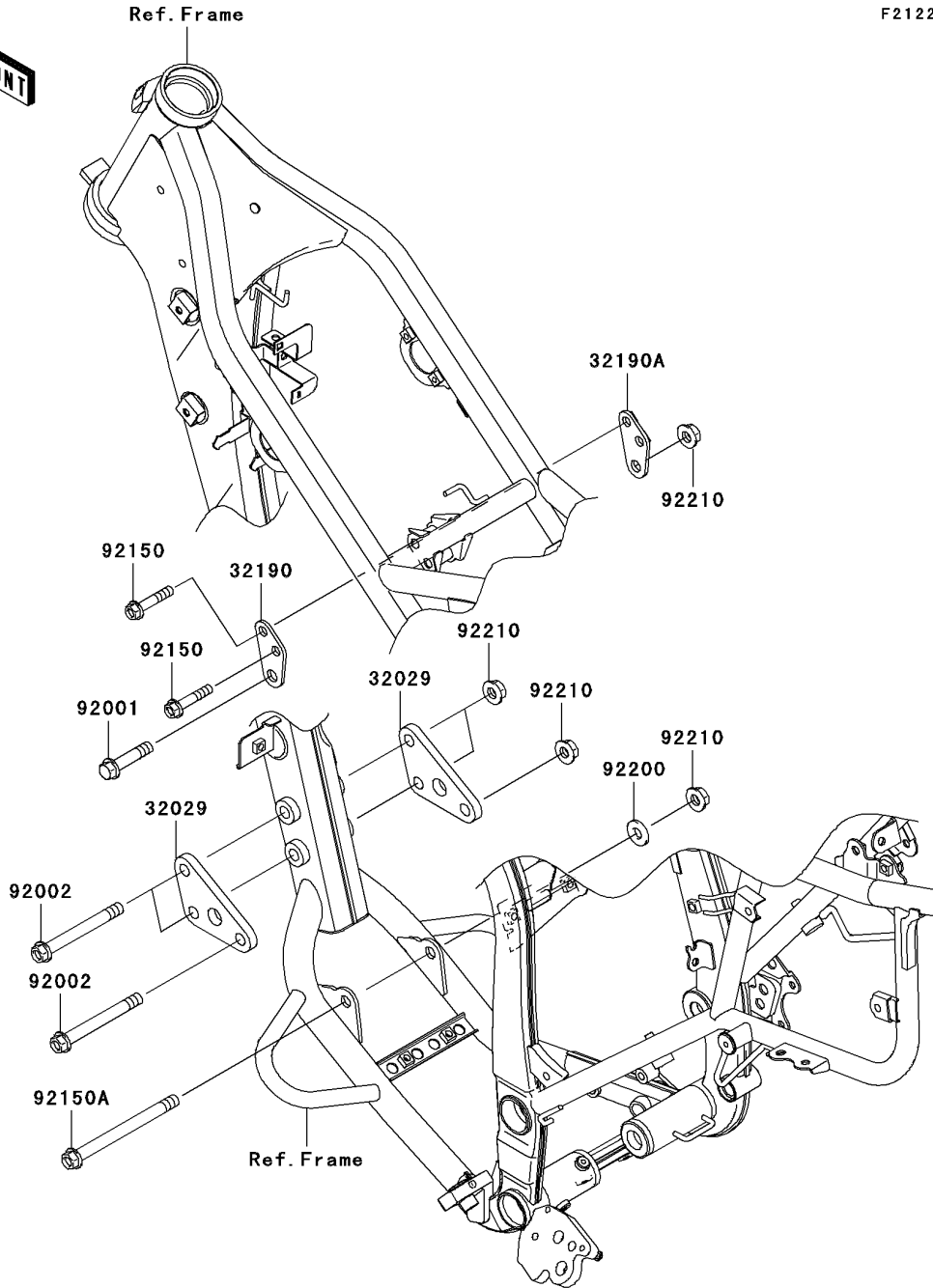
F2120



E-3. Frame

Ref. No.	Part No.	Description	Spec Code	Quantity			
				'11	'12		
				SBF	SCF		
11012	11012-1762	CAP,STEERING STEM		1	1		
32160	32160-0349-18R	FRAME-COMP,F.S.BLACK		1			
32160A	32160-0610-18R	FRAME-COMP,F.S.BLACK			1		
92015	92015-1546	NUT,25MM,T=12		1	1		
92047	92047-017	RACE,ROLLER,32005JR RS		1	1		
92116	92116-1069	BEARING-ROLLER,HI-CAP32006JRRS		1	1		
92200	92200-0517	WASHER,STEERING STEM		1	1		
92210	92210-0263	NUT,CAP,22MM		1	1		

F2122

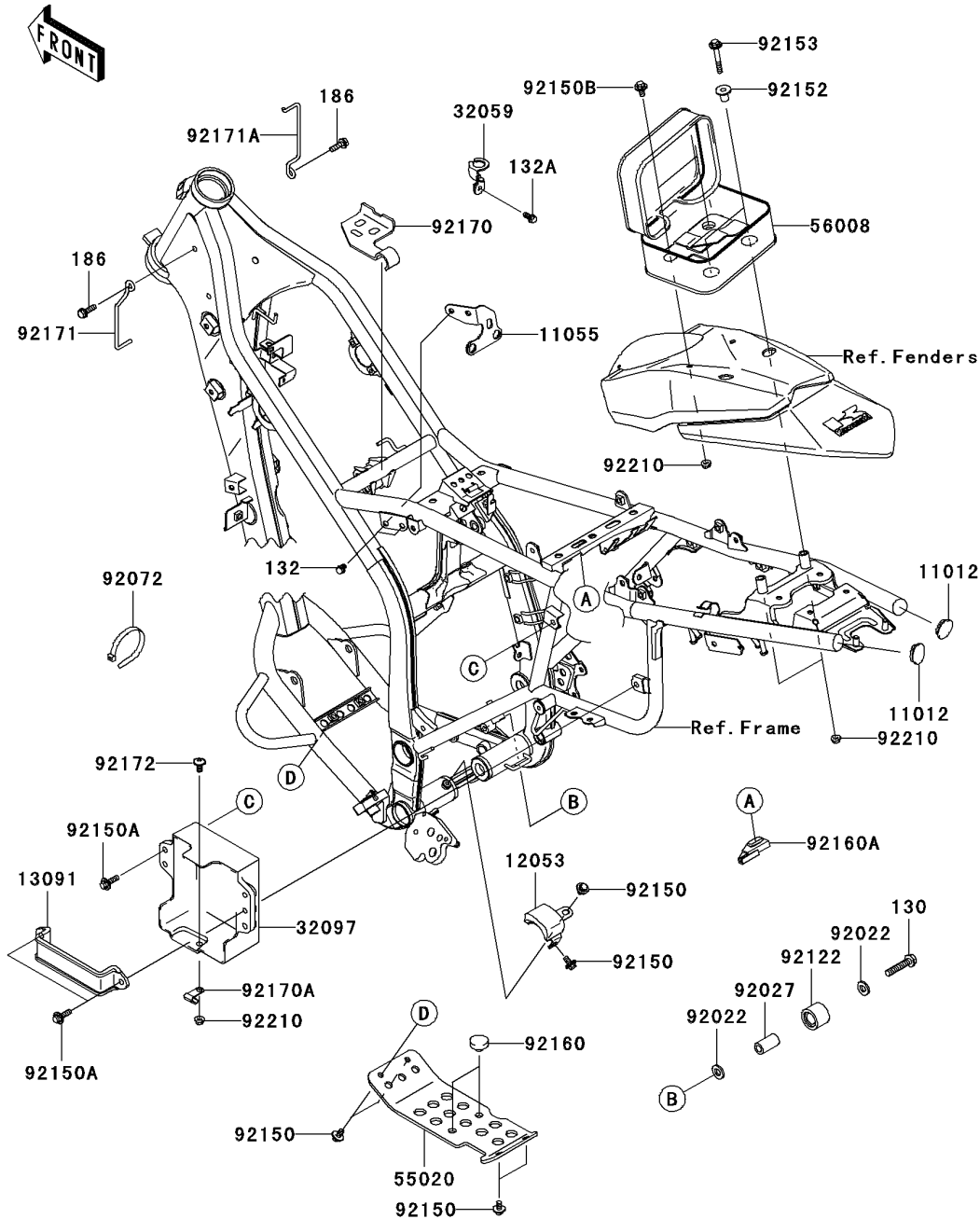


E-4. Engine Mount

Ref. No.	Part No.	Description	Spec Code	Quantity			
				'11	'12		
				SBF	SCF		
32029	32029-1855	BRACKET-ENGINE,FR		2	2		
32190	32190-0416	BRACKET-ENGINE,HEAD,LH		1	1		
32190A	32190-0417	BRACKET-ENGINE,HEAD,RH		1	1		
92001	92001-1499	BOLT,FLANGED,10X44		1	1		
92002	92002-1674	BOLT,10X90		3	3		
92150	92150-1168	BOLT,FLANGED,8X40		2	2		
92150A	92150-1642	BOLT,FLANGED,10X120		1	1		
92200	92200-0211	WASHER,10.2X23.0X2.5		1	1		
92210	92210-1080	NUT,LOCK,FLANGED,10MM		5	5		

'11-'12 KLX250 SBF/SCF

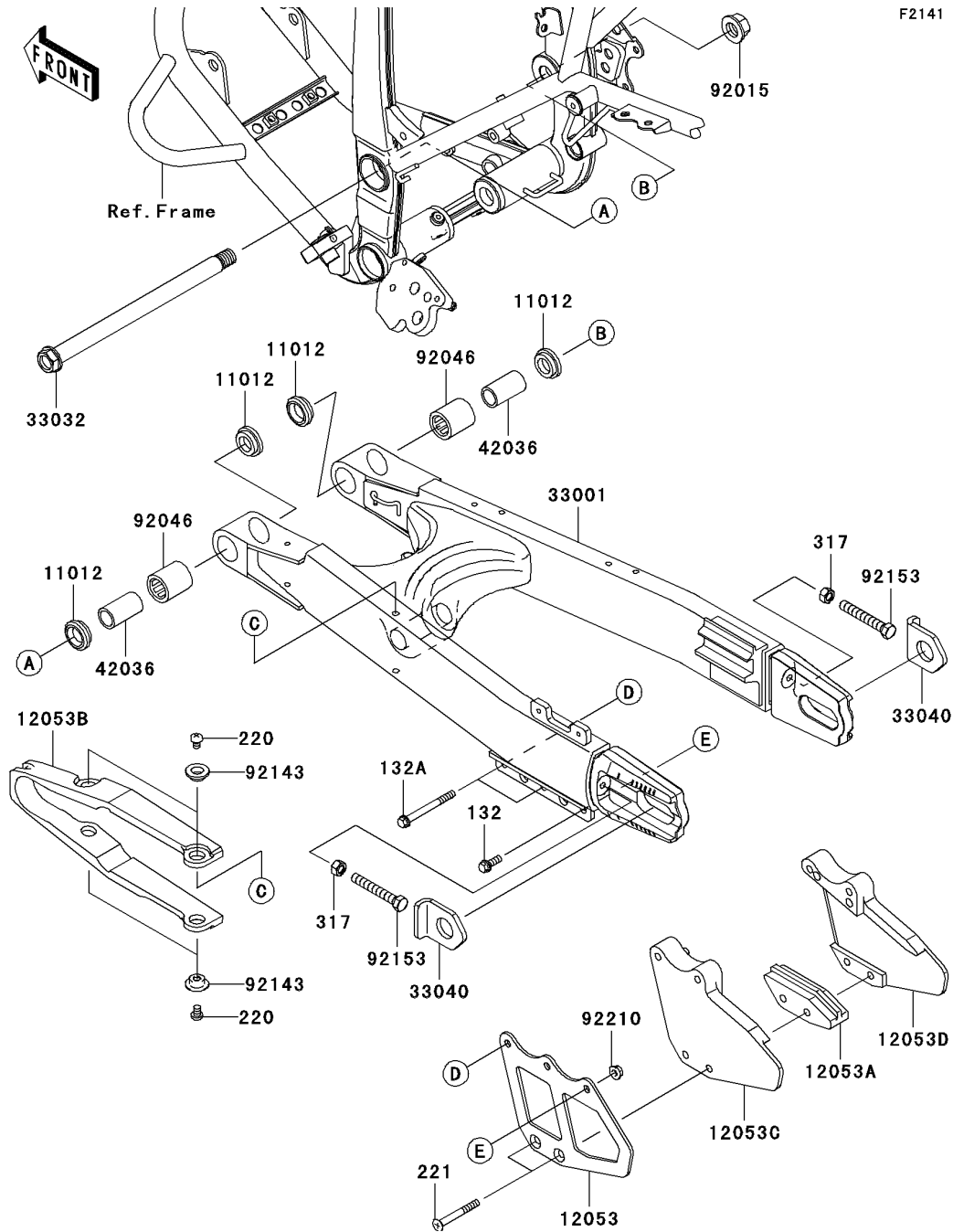
F2131



E-5. Frame Fittings

Ref. No.	Part No.	Description	Spec Code	Quantity			
				'11	'12		
				SBF	SCF		
11012	11012-1369	CAP		2	2		
11055	11055-1174	BRACKET,SENSOR		1	1		
12053	12053-0001	GUIDE-CHAIN		1	1		
13091	13091-1875	HOLDER		1	1		
32059	32059-1117	BRACKET-SWITCH,BRAKE		1	1		
32097	32097-0001	CASE-BATTERY		1	1		
55020	55020-1456	GUARD,ENGINE		1	1		
56008	56008-0037-MA	BAG,TOOL,BLACK		1	1		
92022	92022-1561	WASHER,8.5X20X1.6		2	2		
92027	92027-1670	COLLAR,CHAIN ROLLER		1	1		
92072	92072-1293	BAND,L=140		1	1		
92122	92122-1153	ROLLER,CHAIN GUIDE		1	1		
92150	92150-1435	BOLT,6X12		6	6		
92150A	92150-1481	BOLT,FLANGED,6X22		3	3		
92150B	92150-1506	BOLT,FLANGED,6X16		2	2		
92152	92152-0604	COLLAR		2	2		
92153	92153-0003	BOLT,6X45		2	2		
92160	92160-1396	DAMPER		2	2		
92160A	92160-1565	DAMPER		1	1		
92170	92170-1423	CLAMP,HARNESS		1	1		
92170A	92170-1900	CLAMP,HARNESS		1	1		
92171	92171-1775	CLAMP,HARNESS,LH		1	1		
92171A	92171-1907	CLAMP,HARNESS,RH		1	1		
92172	92172-0004	SCREW,6X14		1	1		
92210	92210-0630	NUT,FLANGED,6MM		5	5		
130	130BA0840	BOLT-FLANGED,8X40		1	1		
132	132BB0608	BOLT-FLANGED-SMALL,6X8		2	2		
132A	132BB0612	BOLT-FLANGED-SMALL,6X12		1	1		
186	186BA0620	BOLT-UPSET-WP,6X20		2	2		

'11-'12 KLX250 SBF/SCF

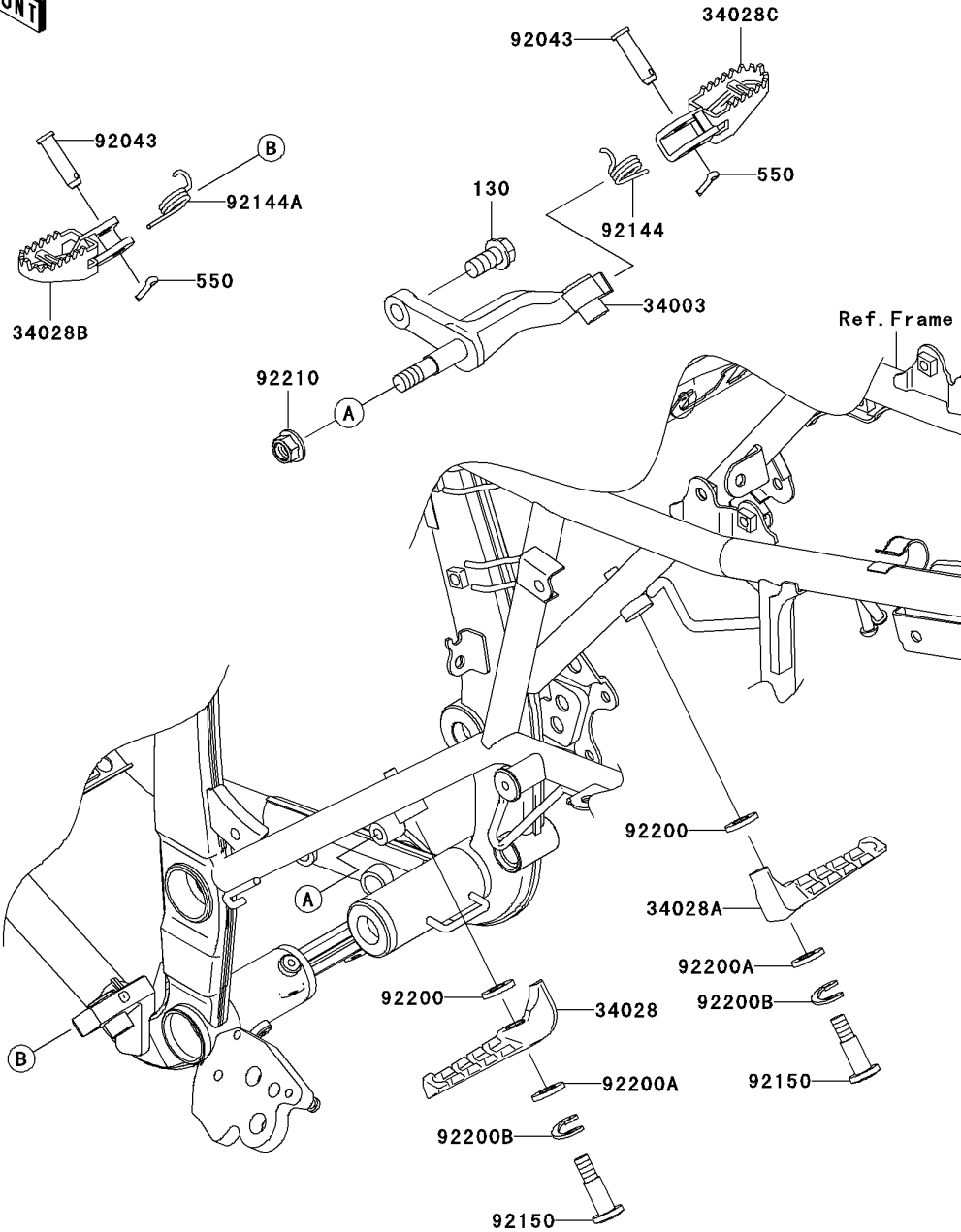


E-6. Swingarm

Ref. No.	Part No.	Description	Spec Code	Quantity			
				'11	'12		
				SBF	SCF		
11012	11012-1259	CAP, SWING ARM		4	4		
12053	12053-1268	GUIDE-CHAIN, RR, OUTSIDE		1	1		
12053A	12053-1270	GUIDE-CHAIN, DRIVE, RR, INSIDE		1	1		
12053B	12053-1328	GUIDE-CHAIN, DRIVE, FR		1	1		
12053C	12053-1453	GUIDE-CHAIN, DRIVE, RR, OUTSIDE		1	1		
12053D	12053-1454	GUIDE-CHAIN, DRIVE, RR, INSIDE		1	1		
33001	33001-0175-458	ARM-COMP-SWING, P. SILVER		1	1		
33032	33032-0033	SHAFT-SWING ARM		1	1		
33040	33040-0023	ADJUSTER-CHAIN		2	2		
42036	42036-1064	SLEEVE, SWING ARM		2	2		
92015	92015-1407	NUT, 14MM		1	1		
92046	92046-1128	BEARING-NEEDLE		2	2		
92143	92143-1156	COLLAR		4	4		
92153	92153-1407	BOLT, 8X55		2	2		
92210	92210-0630	NUT, FLANGED, 6MM		1	1		
132	132BA0616	BOLT-FLANGED-SMALL, 6X16		1	1		
132A	132BA0660	BOLT-FLANGED-SMALL, 6X60		2	2		
220	220AA0608	SCREW-PAN-CROSS, 6X8		4	4		
221	221AA0650	SCREW-CSK-CROSS, 6X50		2	2		
317	317BA0800	NUT-HEX-SMALL, 8MM		2	2		

'11-'12 KLX250 SBF/SCF

F2160

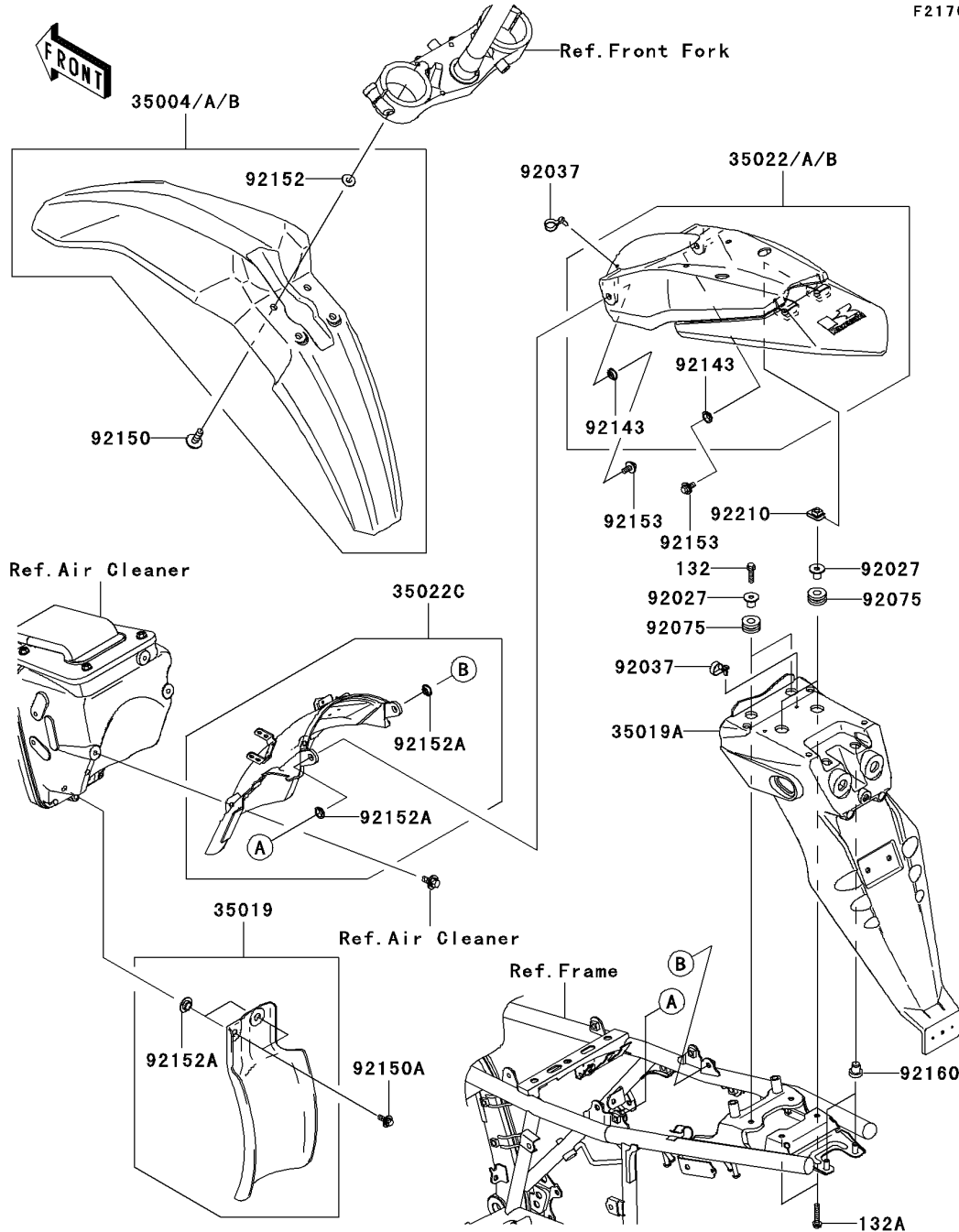


E-8. Footrests

Ref. No.	Part No.	Description	Spec Code	Quantity			
				'11	'12		
				SBF	SCF		
34003	34003-0084-18R	HOLDER-STEP,RH,F.S.BLACK		1	1		
34028	34028-0110	STEP,RR,LH		1	1		
34028A	34028-0111	STEP,RR,RH		1	1		
34028B	34028-1361	STEP,FR,LH		1	1		
34028C	34028-1362	STEP,FR,RH		1	1		
92043	92043-115	PIN,8X35.5		2	2		
92144	92144-1685	SPRING,STEP RETURN,RH		1	1		
92144A	92144-1749	SPRING,STEP RETURN,LH		1	1		
92150	92150-1584	BOLT,SOCKET,8X34		2	2		
92200	92200-0089	WASHER,8.5X16X1.2		2	2		
92200A	92200-1042	WASHER,10.5X19X2.3		2	2		
92200B	92200-1133	WASHER,SPRING		2	2		
92210	92210-1080	NUT,LOCK,FLANGED,10MM		1	1		
130	130CA1020	BOLT-FLANGED,10X20		1	1		
550	550AA2515	PIN-COTTER,2.5X15		2	2		

'11-'12 KLX250 SBF/SCF

F2170

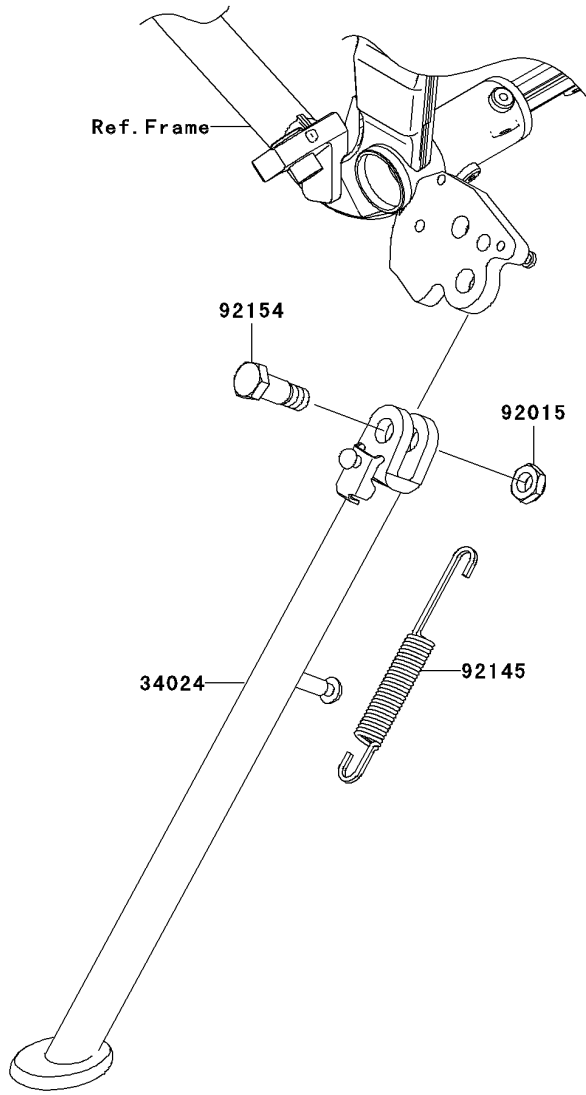


E-9. Fenders

Ref. No.	Part No.	Description	Spec Code	Quantity			
				'11	'12		
				SBF	SCF		
35004	35004-0080-266	FENDER-FRONT,B.WHITE		1			
35004A	35004-0080-290	FENDER-FRONT,L.GREEN		1	1		
35004B	35004-0080-6L	FENDER-FRONT,F.RED				1	
35019	35019-0004	FLAP,RR FENDER,FR		1	1		
35019A	35019-0056	FLAP,RR		1	1		
35022	35022-0039-266	FENDER-COMP-REAR,RR,B.WHITE		1			
35022A	35022-0039-290	FENDER-COMP-REAR,RR,L.GREEN		1	1		
35022B	35022-0039-6L	FENDER-COMP-REAR,RR,F.RED				1	
35022C	35022-0058	FENDER-COMP-REAR,FR		1	1		
92027	92027-1183	COLLAR		4	4		
92037	92037-1163	CLAMP,SPEED,L=58		2	2		
92075	92075-1690	DAMPER		4	4		
92143	92143-1196	COLLAR		2	2		
92150	92150-1339	BOLT,FLANGED,6X20		4	4		
92150A	92150-1506	BOLT,FLANGED,6X16		2	2		
92152	92152-0427	COLLAR		4	4		
92152A	92152-0909	COLLAR,8.8X11.2X4		4	4		
92153	92153-0502	BOLT,6X20		2	2		
92160	92160-1303	DAMPER		2	2		
92210	92210-0474	NUT,6MM		2	2		
132	132BB0622	BOLT-FLANGED-SMALL,6X22		2	2		
132A	132BB0630	BOLT-FLANGED-SMALL,6X30		2	2		



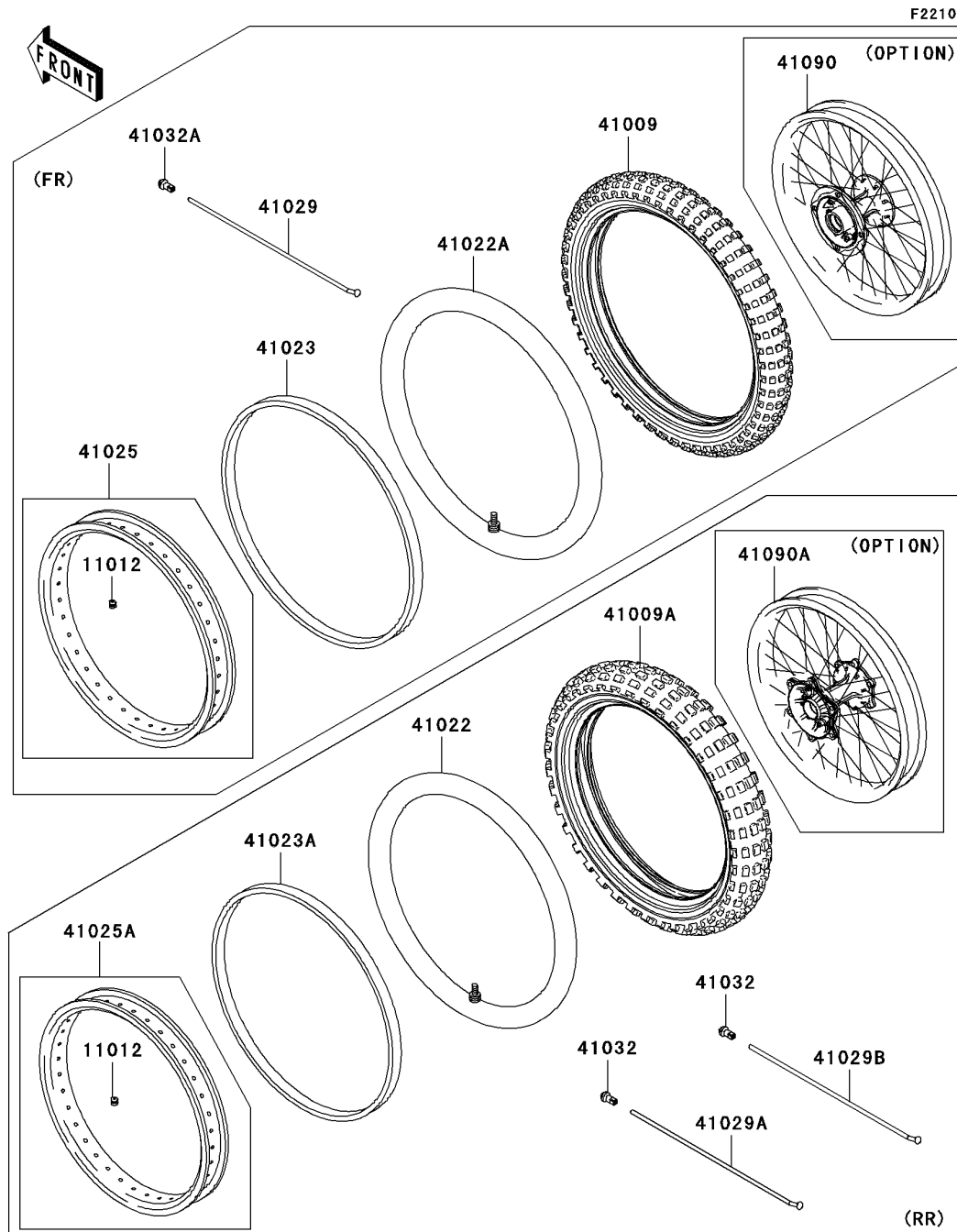
F2190



E-10. Stand(s)

Ref. No.	Part No.	Description	Spec Code	Quantity			
				'11	'12		
				SBF	SCF		
34024	34024-0079-458	STAND-SIDE,P.SILVER		1	1		
92015	92015-1188	NUT,LOCK,10MM,BLACK		1	1		
92145	92145-0085	SPRING,SIDE STAND		1	1		
92154	92154-0412	BOLT,SIDE STAND		1	1		

'11-'12 KLX250 SBF/SCF



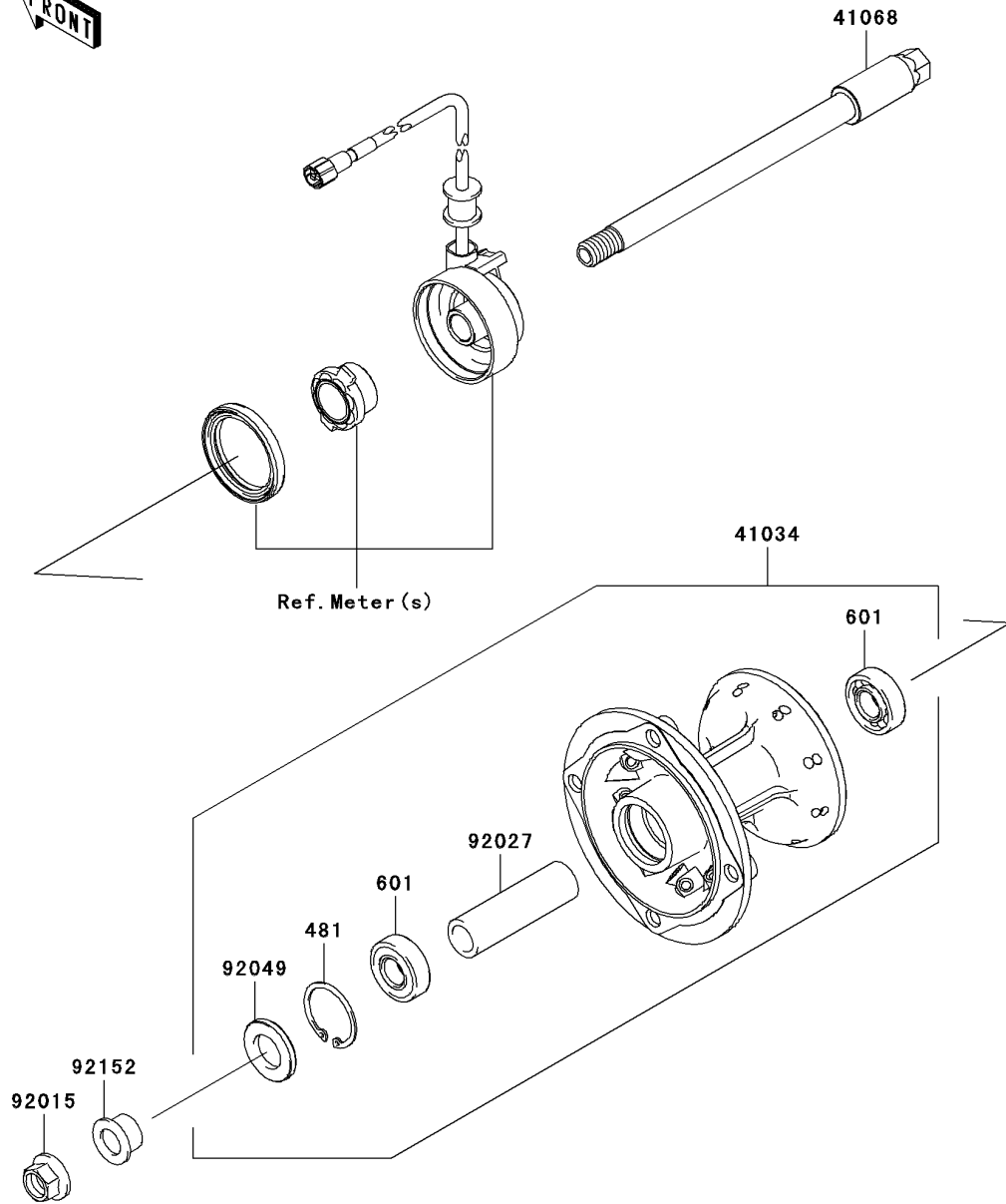
E-11. Tires

Ref. No.	Part No.	Description	Spec Code	Quantity			
				'11 SBF	'12 SCF		
11012	11012-1670	CAP,BEAD STOPPER		2	2		
41009	41009-0025	TIRE,FR,3.00-21 51P,D605 FG(D)		1	1		
41009A	41009-0026	TIRE,RR,4.60-18 63P,D605G(D)		1	1		
41022	41022-0004	TUBE-TIRE,120/80-18(D)		1	1		
41022A	41022-1244	TUBE-TIRE,80/100-21(D)		1	1		
41023	41023-1144	BAND-RIM,21XWM1.60-1.85(D)		1	1		
41023A	41023-1145	BAND-RIM,18XWM/MT 1.85-2.15(D)		1	1		
41025	41025-1364-WA	RIM,FR,1.60X21,SILVER		1	1		
41025A	41025-1366-WA	RIM,RR,2.15X18,SILVER		1	1		
41029	41029-0004	SPOKE-INNER,FR,228MMX165D		36	36		
41029A	41029-0047	SPOKE-INNER,RR,LH,193.1MMX165D		18	18		
41029B	41029-0048	SPOKE-INNER,RR,RH,189.1MMX160D		18	18		
41032	41032-0005	NIPPLE-SPOKE		36	36		
41032A	41032-0007	NIPPLE-SPOKE		36	36		
41090	41090-0041-WA	WHEEL-SUB ASSY,FR,SILVER (OPTION)		1	1		
41090A	41090-0042-WA	WHEEL-SUB ASSY,RR,SILVER (OPTION)		1	1		

'11-'12 KLX250 SBF/SCF



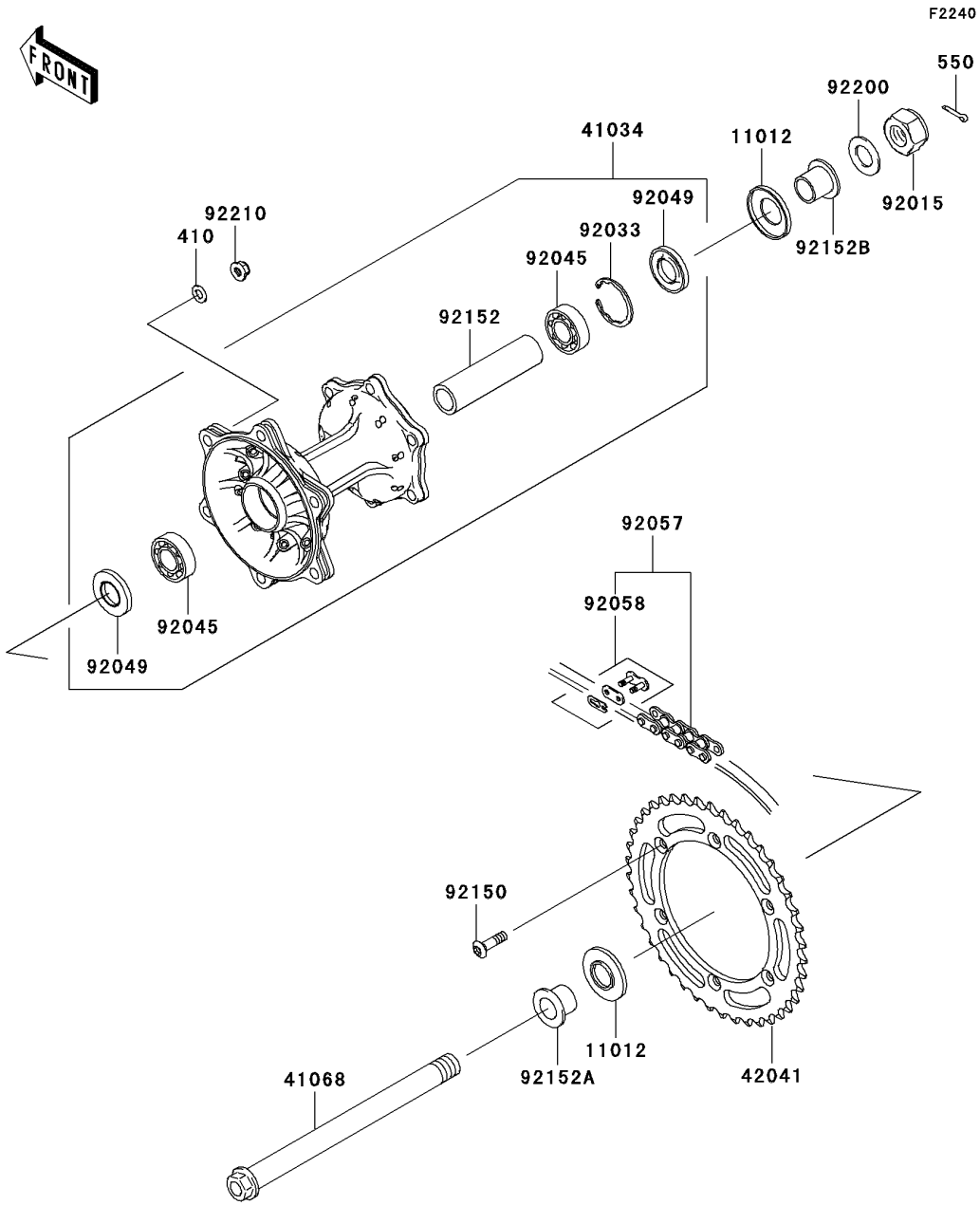
F2230



E-12. Front Hub

Ref. No.	Part No.	Description	Spec Code	Quantity			
				'11	'12		
				SBF	SCF		
41034	41034-0051	DRUM-ASSY,FRONT BRAKE		1	1		
41068	41068-0062	AXLE,FR		1	1		
92015	92015-1407	NUT,14MM		1	1		
92027	92027-1958	COLLAR,15.2X22.2X75		1	1		
92049	92049-0136	SEAL-OIL		1	1		
92152	92152-0528	COLLAR,FR AXLE,L=14		1	1		
481	481J3500	CIRCLIP-TYPE-C,35MM		1	1		
601	601B6202UG	BEARING-BALL,#6202UG		2	2		

'11-'12 KLX250 SBF/SCF

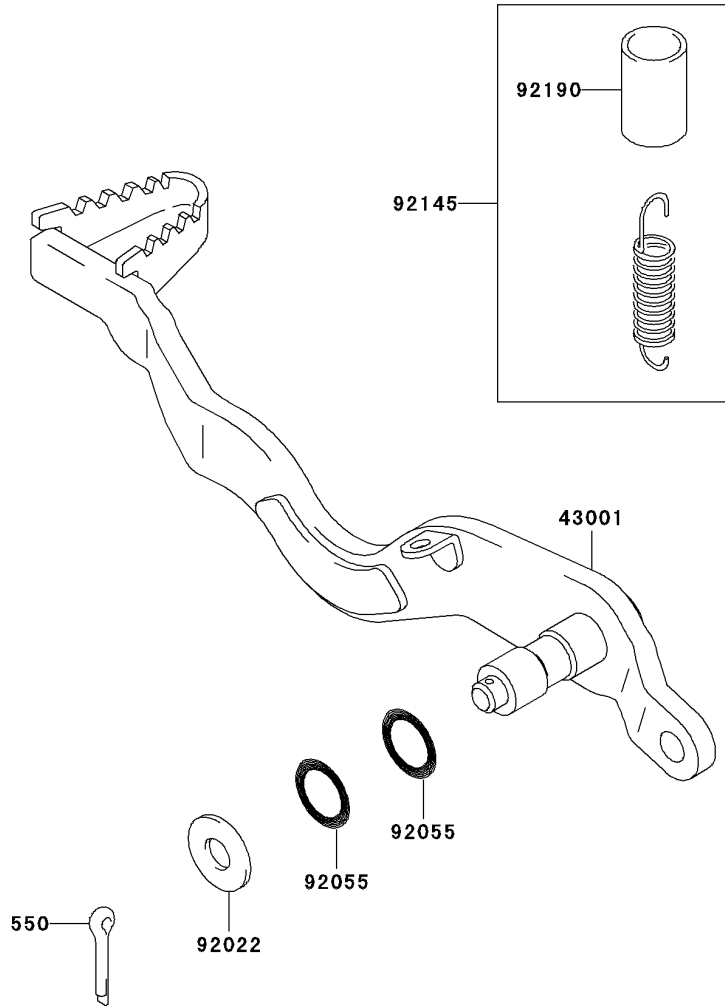


E-13. Rear Hub

Ref. No.	Part No.	Description	Spec Code	Quantity			
				'11	'12		
				SBF	SCF		
11012	11012-1581	CAP,AXLE		2	2		
41034	41034-0044	DRUM-ASSY,REAR BRAKE		1	1		
41068	41068-0066	AXLE,RR		1	1		
42041	42041-1421	SPROCKET-HUB,42T		1	1		
92015	92015-1770	NUT,LOCK,20MM		1	1		
92033	92033-1041	RING-SNAP,42MM		1	1		
92045	92045-1239	BEARING-BALL,6004X8JRLLX2/3A		2	2		
92049	92049-1203	SEAL-OIL,BJNC2 25425		2	2		
92057	92057-1367	CHAIN,DRIVE,EK520LV-OX106L		1	1		
92058	92058-1070	JOINT-CHAIN,DRIVE,EK		1	1		
92150	92150-1978	BOLT,SOCKET,8X28		6	6		
92152	92152-0529	COLLAR,REAR BRAKE DRUM,L=105		1	1		
92152A	92152-0734	COLLAR,RR AXLE,L=22		1	1		
92152B	92152-0735	COLLAR,RR AXLE,RH,L=20		1	1		
92200	92200-1146	WASHER,20.2X36X2		1	1		
92210	92210-0493	NUT,FLANGED,LOCK,8MM		6	6		
410	410AA0800	WASHER-PLAIN-SMALL,8MM		6	6		
550	550AA3025	PIN-COTTER,3.0X25		1	1		



F2260



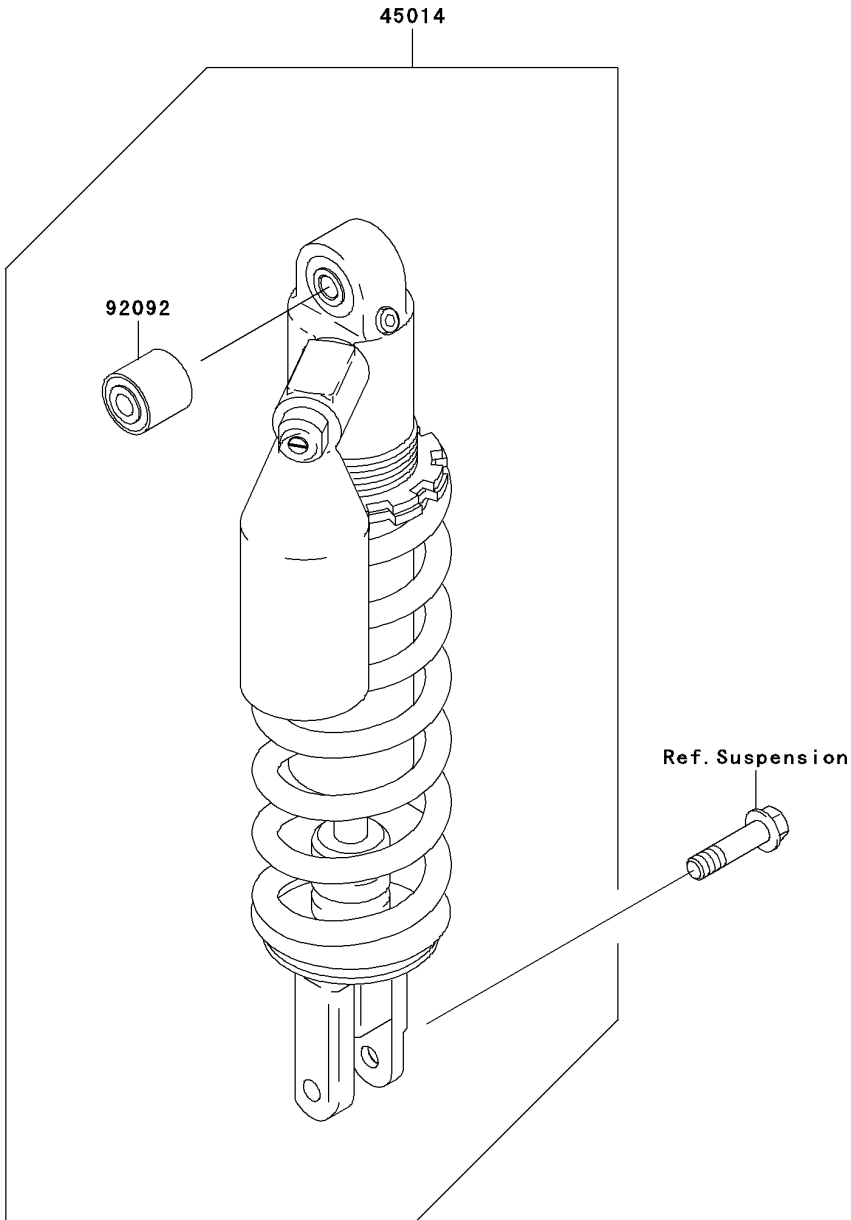
E-14. Brake Pedal

Ref. No.	Part No.	Description	Spec Code	Quantity			
				'11	'12		
				SBF	SCF		
43001	43001-0110	LEVER-BRAKE,PEDAL		1	1		
92022	92022-1561	WASHER,8.5X20X1.6		1	1		
92055	92055-0168	RING-O,OD=18.5		2	2		
92145	92145-0684	SPRING,BRAKE PEDAL RETURN		1	1		
92190	92190-1488	TUBE,13X16X25		1	1		
550	550AA2525	PIN-COTTER,2.5X25		1	1		

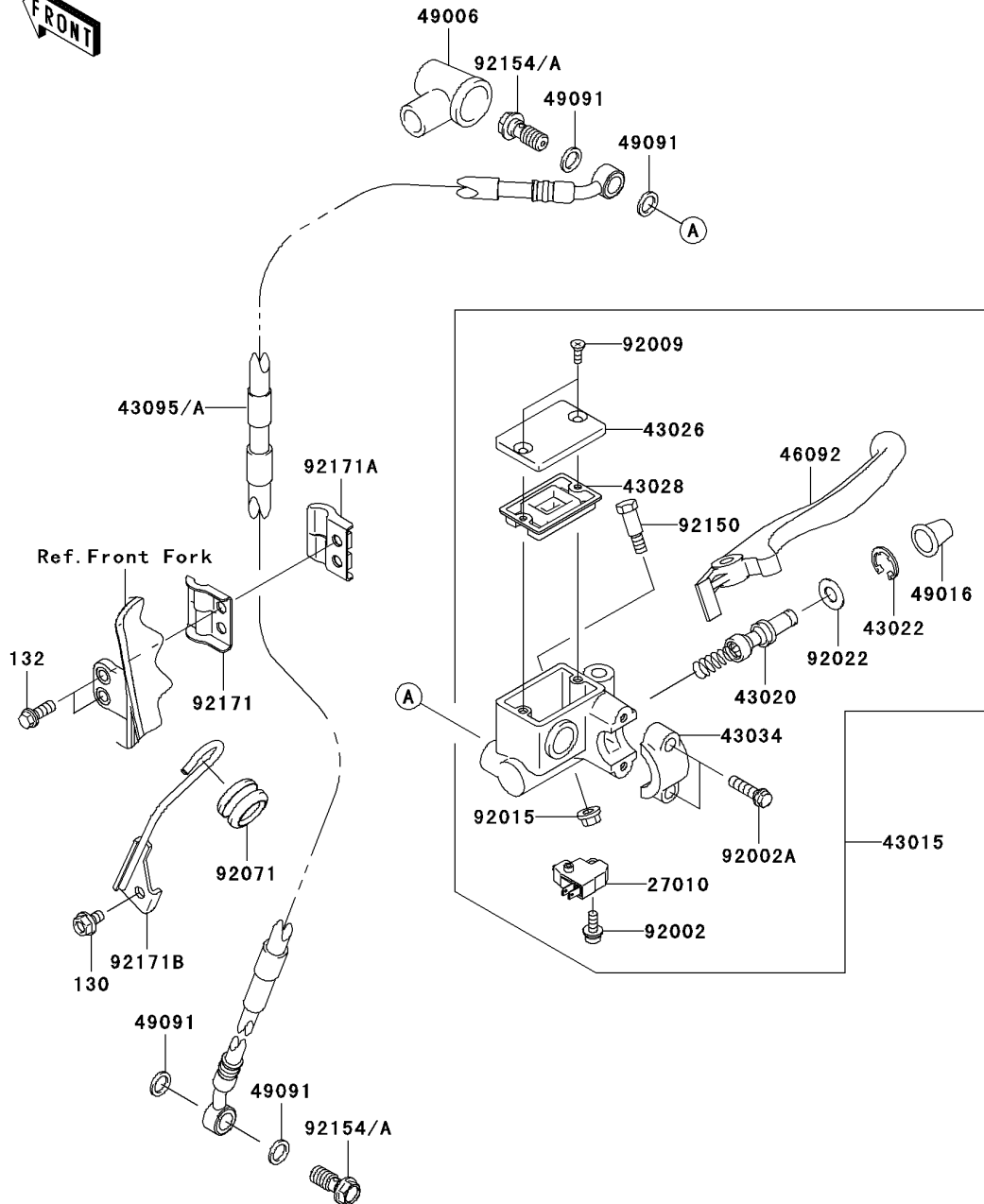


F2280

F-3. Shock Absorber(s)



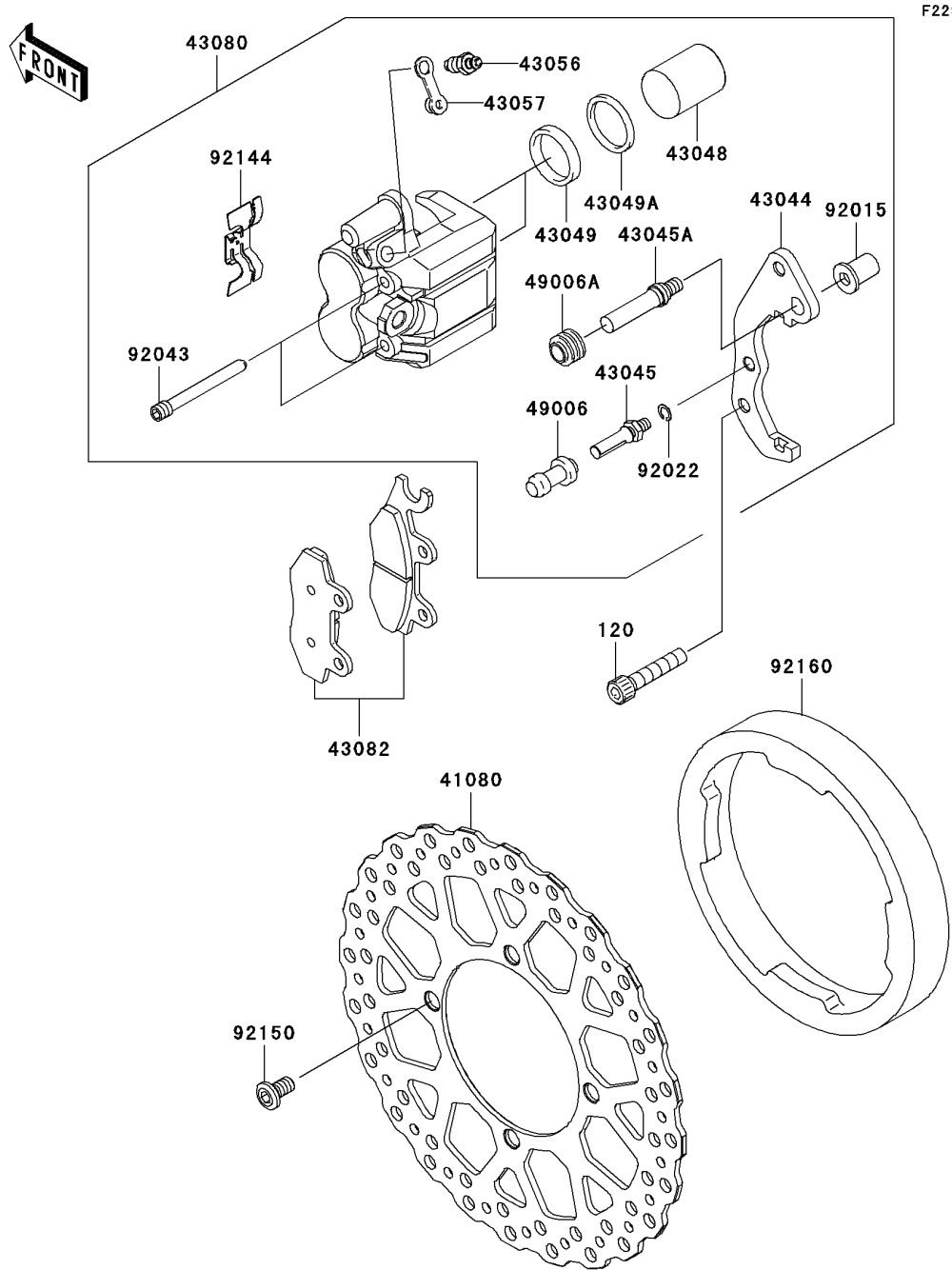
Ref. No.	Part No.	Description	Spec Code	Quantity			
				'11 SBF	'12 SCF		
45014	45014-0246-23F	SHOCKABSORBER,SPG WHT+BODY BLK		1	1		
92092	92092-1062	BUSHING-RUBBER,SHOCKABSORBER		1	1		



F-4. Front Master Cylinder

Ref. No.	Part No.	Description	Spec Code	Quantity			
				'11	'12		
				SBF	SCF		
27010	27010-0025	SWITCH,BRAKE	1	1			
43015	43015-1697	CYLINDER-ASSY-MASTER,FR	1	1			
43020	43020-1126	PISTON-COMP-BRAKE	1	1			
43022	43022-1010	STOPPER-BRAKE,PISTON	1	1			
43026	43026-1074	CAP-BRAKE	1	1			
43028	43028-1061	DIAPHRAGM	1	1			
43034	43034-1016	HOLDER-BRAKE,MASTER CYLINDER	1	1			
43095	43095-0442	HOSE-BRAKE,FR	1				
43095A	43095-0687	HOSE-BRAKE,FR		1			
46092	46092-1140	LEVER-GRIP,FRONT BRAKE	1	1			
49006	49006-1040	BOOT,DUST	1	1			
49016	49016-1044	COVER-SEAL,MASTER CYLINDER	1	1			
49091	49091-0001	WASHER-SEAL,10.1X14.5X1.5	4	4			
92002	92002-1323	BOLT,SCREW,4X12	1	1			
92002A	92002-1894	BOLT	2	2			
92009	92009-1458	SCREW,4MM	2	2			
92015	92015-1528	NUT,FLANGED,6MM	1	1			
92022	92022-1814	WASHER	1	1			
92071	92071-0056	GROMMET,15X20X16	1	1			
92150	92150-1451	BOLT,LEVER SET	1	1			
92154	92154-0226	BOLT,OIL,L=23	2				
92154A	92154-0732	BOLT,FLANGED,10X23		2			
92171	92171-1626	CLAMP,BRAKE HOSE	1	1			
92171A	92171-1627	CLAMP,BRAKE HOSE	1	1			
92171B	92171-1839	CLAMP,BRAKE HOSE	1	1			
130	130BB0610	BOLT-FLANGED,6X10	1	1			
132	132BB0616	BOLT-FLANGED-SMALL,6X16	2	2			

'11-'12 KLV250 SBF/SCF

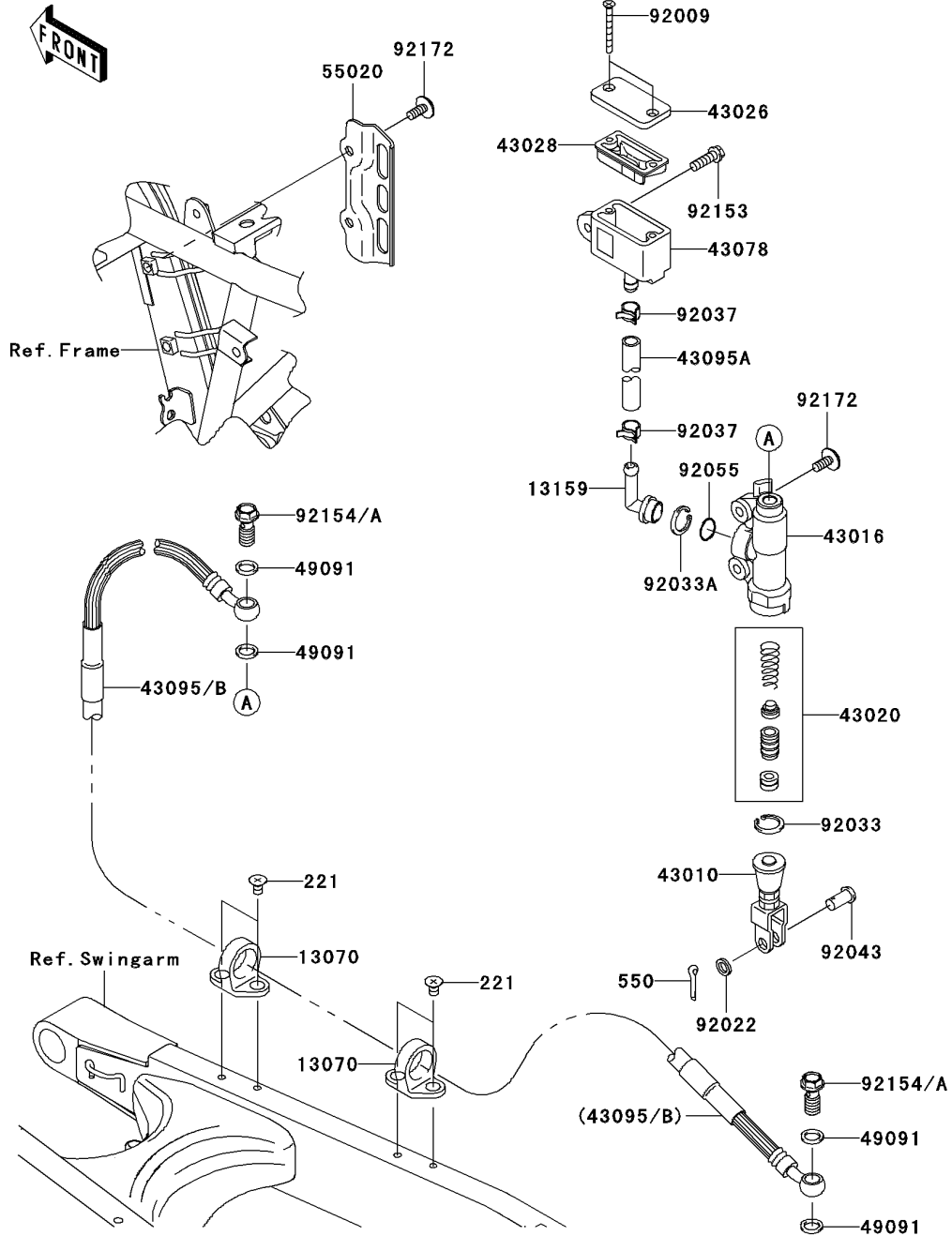


F-5. Front Brake

Ref. No.	Part No.	Description	Spec Code	Quantity			
				'11	'12		
				SBF	SCF		
41080	41080-0186-CM	DISC,FR,SILVER		1	1		
43044	43044-0007	HOLDER-COMP-CALIPER,FR		1	1		
43045	43045-1010	SHAFT-CALIPER		1	1		
43045A	43045-1052	SHAFT-CALIPER		1	1		
43048	43048-0011	PISTON-CALIPER		2	2		
43049	43049-1060	PACKING,PISTON SEAL		2	2		
43049A	43049-1061	PACKING,PISTON SEAL		2	2		
43056	43056-0004	BREATHER-BRAKE		1	1		
43057	43057-1001	CAP-BREATHER		1	1		
43080	43080-0048-GN	CALIPER-SUB-ASSY,FR,LH,SILVER		1	1		
43082	43082-0060	PAD-ASSY-BRAKE		1	1		
49006	49006-1088	BOOT,CALIPER		1	1		
49006A	49006-1242	BOOT,CALIPER		1	1		
92015	92015-1740	NUT		1	1		
92022	92022-1373	WASHER,WAVE		1	1		
92043	92043-1416	PIN,HANGER		2	2		
92144	92144-1847	SPRING,PAD		1	1		
92150	92150-1811	BOLT,DISC PLATE,8X15		4	4		
92160	92160-1449	DAMPER,FRONT WHEEL		1	1		
120	120CA0840	BOLT-SOCKET,8X40		2	2		

'11-'12 KLX250 SBF/SCF

F2293

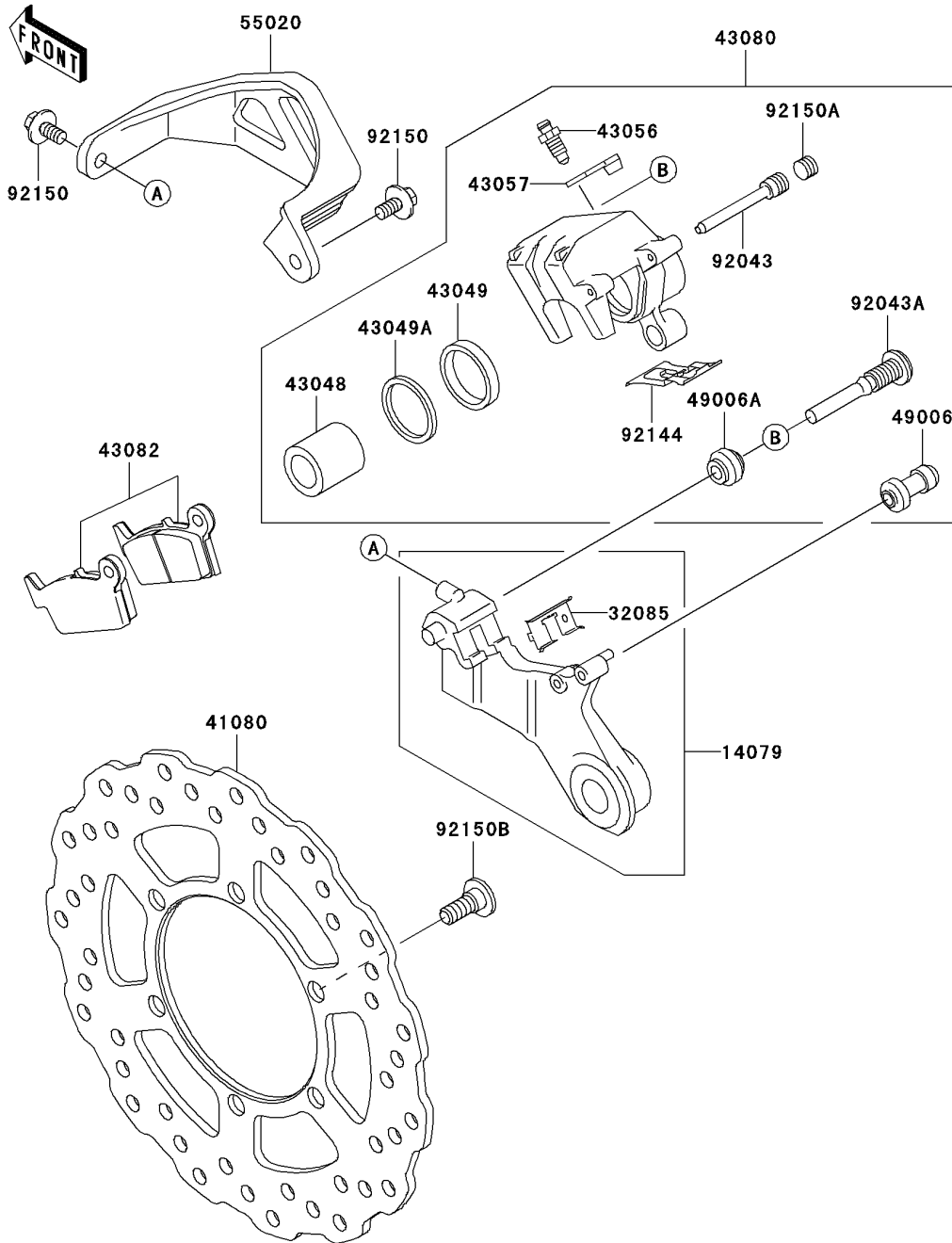


F-6. Rear Master Cylinder

Ref. No.	Part No.	Description	Spec Code	Quantity			
				'11	'12		
				SBF	SCF		
13070	13070-1144	GUIDE,HOSE		2	2		
13159	13159-1056	CONNECTOR		1	1		
43010	43010-1068	ROD-ASSY-BRAKE		1	1		
43016	43016-1149	CYLINDER-MASTER		1	1		
43020	43020-1094	PISTON-COMP-BRAKE		1	1		
43026	43026-1075	CAP-BRAKE		1	1		
43028	43028-1067	DIAPHRAGM		1	1		
43078	43078-1189	RESERVOIR		1	1		
43095	43095-0164	HOSE-BRAKE,RR		1			
43095A	43095-0451	HOSE-BRAKE,RR MASTER CYLINDER		1	1		
43095B	43095-0691	HOSE-BRAKE,RR			1		
49091	49091-0001	WASHER-SEAL,10.1X14.5X1.5		4	4		
55020	55020-1489	GUARD,RR BRAKE RESERVOIR HOSE		1	1		
92009	92009-1596	SCREW,4X40		2	2		
92022	92022-1028	WASHER,8.5X13X1		1	1		
92033	92033-0079	RING-SNAP,20.9X24.6X1.2		1	1		
92033A	92033-1186	RING-SNAP,20.5MM		1	1		
92037	92037-1710	CLAMP		2	2		
92043	92043-0004	PIN		1	1		
92055	92055-1251	RING-O,MASTER CYLINDER		1	1		
92153	92153-0502	BOLT,6X20		1	1		
92154	92154-0226	BOLT,OIL,L=23		2			
92154A	92154-0732	BOLT,FLANGED,10X23			2		
92172	92172-0401	SCREW,6X14		4	4		
221	221AA0610	SCREW-CSK-CROSS,6X10		4	4		
550	550AA2015	PIN-COTTER,2.0X15		1	1		

'11-'12 KLX250 SBF/SCF

F2294

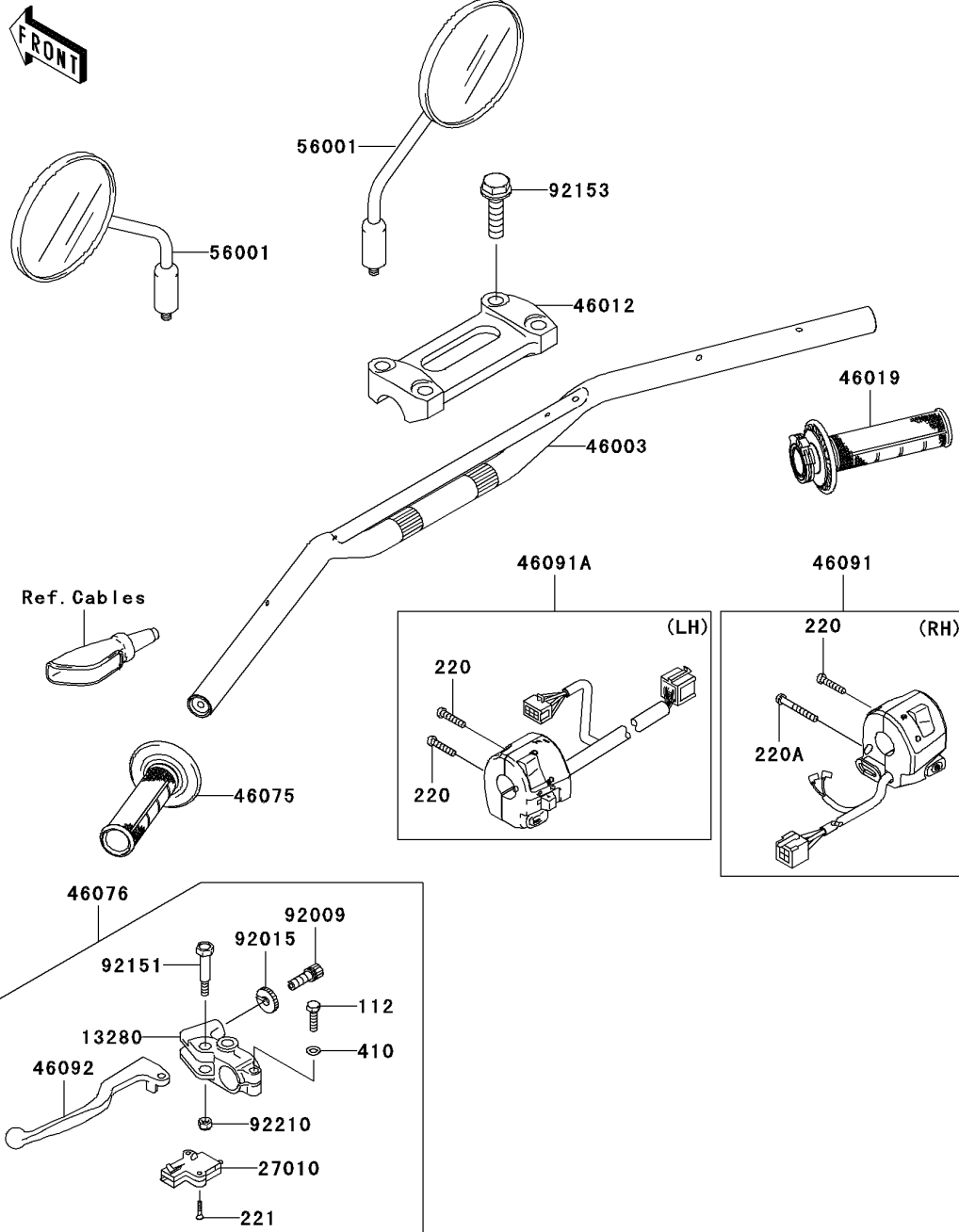


F-7. Rear Brake

Ref. No.	Part No.	Description	Spec Code	Quantity			
				'11	'12		
				SBF	SCF		
14079	14079-0030	HOLDER-ASSY,REAR CALIPER		1	1		
32085	32085-1386	STOPPER,PAD		1	1		
41080	41080-0116-CM	DISC,RR,SILVER		1	1		
43048	43048-1068	PISTON-CALIPER		1	1		
43049	43049-1060	PACKING,PISTON SEAL		1	1		
43049A	43049-1061	PACKING,PISTON SEAL		1	1		
43056	43056-0004	BREATHER-BRAKE		1	1		
43057	43057-1001	CAP-BREATHER		1	1		
43080	43080-0069-GN	CALIPER-SUB-ASSY,RR,SILVER		1	1		
43082	43082-0090	PAD-ASSY-BRAKE		1	1		
49006	49006-1088	BOOT,CALIPER		1	1		
49006A	49006-1242	BOOT,CALIPER		1	1		
55020	55020-1488-6C	GUARD,RR CALIPER,EBONY		1	1		
92043	92043-1507	PIN,HANGER		1	1		
92043A	92043-1508	PIN		1	1		
92144	92144-1819	SPRING,PAD		1	1		
92150	92150-1340	BOLT,6X14		2	2		
92150A	92150-1692	BOLT,PLUG		1	1		
92150B	92150-1811	BOLT,DISC PLATE,8X15		6	6		

'11-'12 KLX250 SBF/SCF

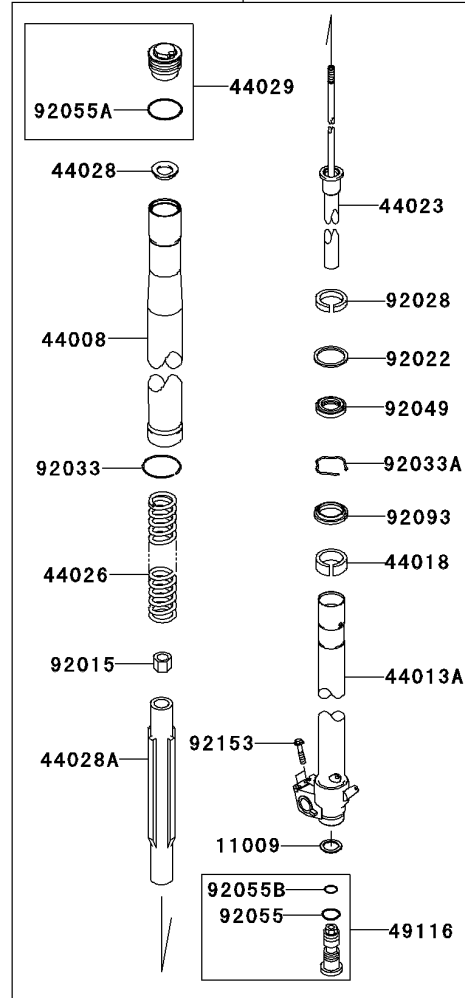
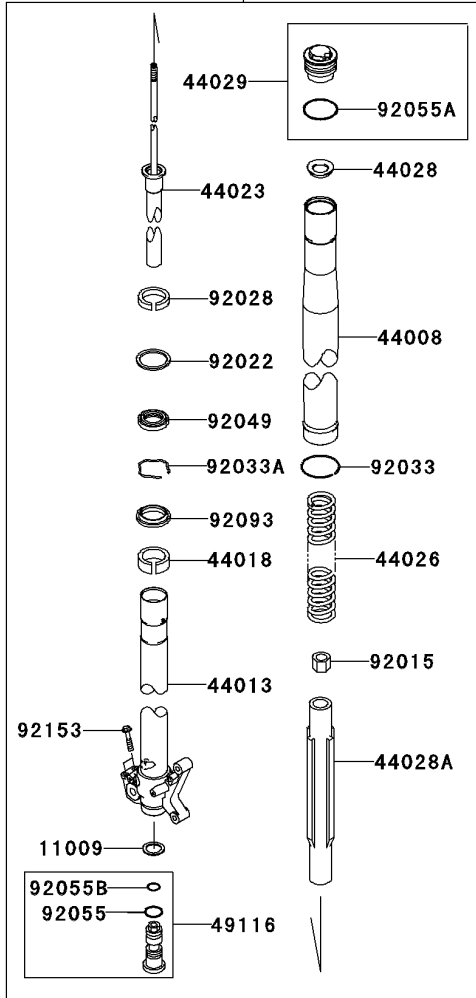
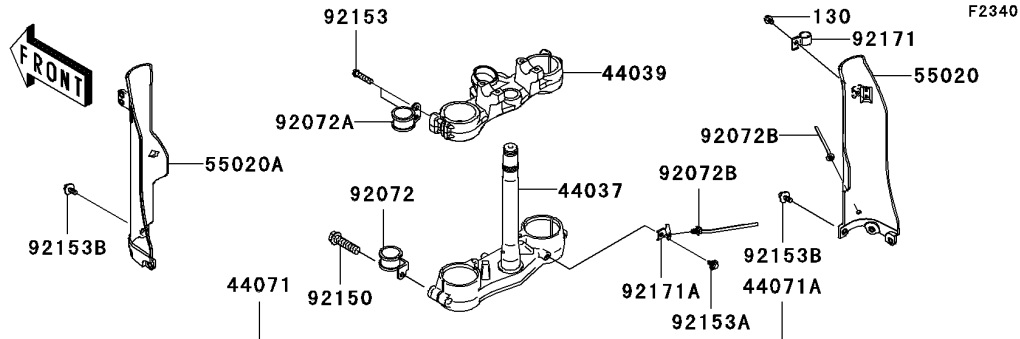
F2310



F-8. Handlebar

Ref. No.	Part No.	Description	Spec Code	Quantity			
				'11	'12		
				SBF	SCF		
13280	13280-0105	HOLDER,CLUTCH LEVER		1	1		
27010	27010-1094	SWITCH,CLUTCH,BLACK		1	1		
46003	46003-0164-458	HANDLE,P.SILVER		1	1		
46012	46012-0010-18R	HOLDER-HANDLE,UPP,F.S.BLACK		1	1		
46019	46019-0036	GRIP-ASSY,THROTTLE		1	1		
46075	46075-0082	GRIP,LH		1	1		
46076	46076-1244	LEVER-ASSY-GRIP,CLUTCH		1	1		
46091	46091-0162	HOUSING-ASSY-CONTROL,RH		1	1		
46091A	46091-0163	HOUSING-ASSY-CONTROL,LH		1	1		
46092	46092-1206	LEVER-GRIP,CLUTCH		1	1		
56001	56001-0137	MIRROR-ASSY		2	2		
92009	92009-1134	SCREW,CABLE ADJUST,8MM,BLACK		1	1		
92015	92015-1197	NUT,CABLE ADJUST LOCK,8MM,BLK		1	1		
92151	92151-1986	BOLT,LEVER SET		1	1		
92153	92153-1519	BOLT,FLANGED,8X30		4	4		
92210	92210-0006	NUT,LOCK,6MM		1	1		
112	112BB0622	BOLT-UPSET,6X22		1	1		
220	220AB0525	SCREW-PAN-CROSS,5X25		3	3		
220A	220AB0540	SCREW-PAN-CROSS,5X40		1	1		
221	221AB0316	SCREW-CSK-CROSS,3X16		2	2		
410	410AB0600	WASHER-PLAIN-SMALL,6MM		1	1		

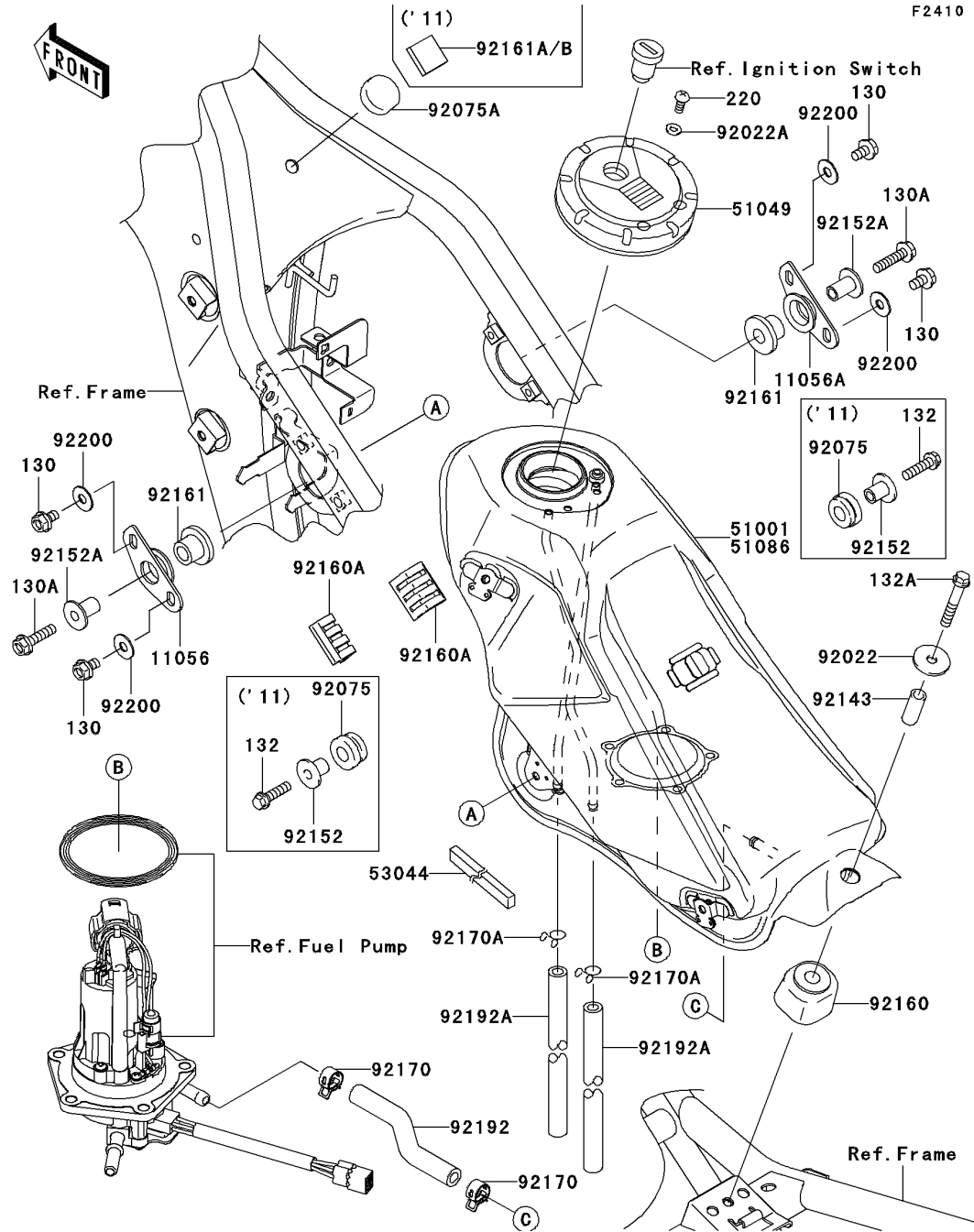
'11-'12 KLX250 SBF/SCF



F-9. Front Fork

Ref. No.	Part No.	Description	Spec Code	Quantity			
				'11	'12		
				SBF	SCF		
11009	11009-1592	GASKET,FORK CYLINDER BOLT		2	2		
44008	44008-0032-KX	PIPE-FORK OUTER,SILVER		2	2		
44013	44013-0090-458	PIPE-FORK INNER,LH,P.SILVER		1	1		
44013A	44013-0092-458	PIPE-FORK INNER,RH,P.SILVER		1	1		
44018	44018-1056	PISTON-FORK,INNER PIPE		2	2		
44023	44023-0062	CYLINDER-SET-FORK		2	2		
44026	44026-0103	SPRING-FRONT FORK		2	2		
44028	44028-1081	GUIDE-FORK SPRING		2	2		
44028A	44028-1084	GUIDE-FORK SPRING		2	2		
44029	44029-0010-KX	SEAT-FORK SPRING,SILVER		2	2		
44037	44037-0078-18R	HOLDER-FORK UNDER,F.S.BLACK		1	1		
44039	44039-0059-18R	HOLDER-FORK UPPER,F.S.BLACK		1	1		
44071	44071-5074	DAMPER-ASSY,FORK,LH,SILVER		1	1		
44071A	44071-5075	DAMPER-ASSY,FORK,RH,SILVER		1	1		
49116	49116-1168	VALVE-ASSY,FORK		2	2		
55020	55020-0320-6C	GUARD,FORK,RH,EBONY		1	1		
55020A	55020-0484-6C	GUARD,FORK,LH,EBONY		1	1		
92015	92015-1839	NUT		2	2		
92022	92022-1299	WASHER		2	2		
92028	92028-1581	BUSHING		2	2		
92033	92033-0080	RING-SNAP		2	2		
92033A	92033-1077	RING-SNAP		2	2		
92049	92049-1373	SEAL-OIL		2	2		
92055	92055-1156	RING-O		2	2		
92055A	92055-1333	RING-O,FORK,AIR TUBE		2	2		
92055B	92055-1502	RING-O,FORK VALVE		2	2		
92072	92072-1267	BAND		1	1		
92072A	92072-1283	BAND		1	1		
92072B	92072-1414	BAND		2	2		
92093	92093-1342	SEAL,FORK OUTER TUBE		2	2		
92150	92150-1446	BOLT,FLANGED,8X40		2	2		
92153	92153-0020	BOLT,8X40		8	8		
92153A	92153-0503	BOLT,6X12		1	1		
92153B	92153-0936	BOLT,FLANGED,6X14		6	6		
92171	92171-1833	CLAMP		1	1		
92171A	92171-1905	CLAMP,SPEED SENSOR HARNESS		1	1		
130	130BB0608	BOLT-FLANGED,6X8		1	1		

'11-'12 KLX250 SBF/SCF

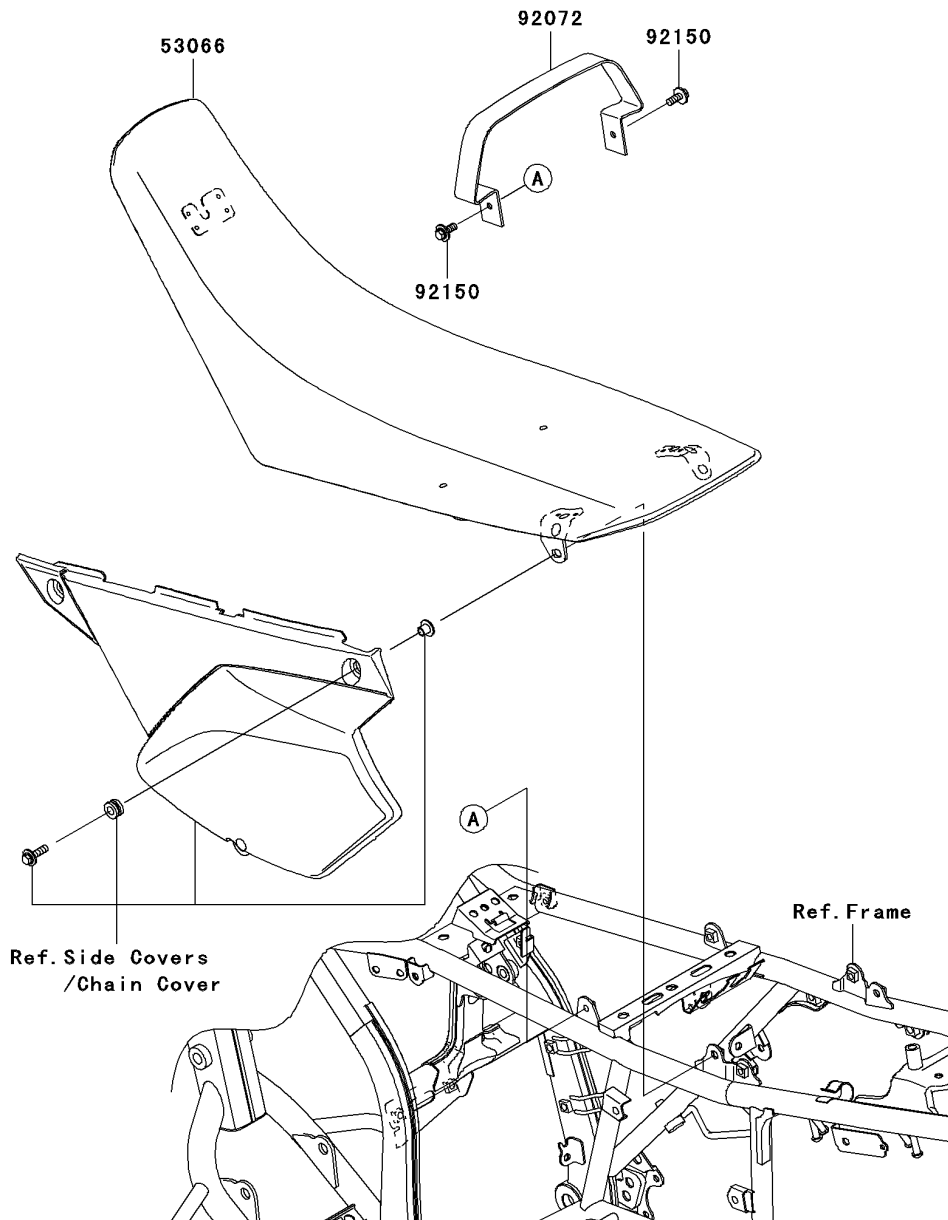


F2410

F-10. Fuel Tank

Ref. No.	Part No.	Description	Spec Code	Quantity			
				'11	'12		
				SBF	SCF		
11056	11056-1452	BRACKET,ADJUSTER,LH				1	
11056A	11056-1457	BRACKET,ADJUSTER,RH				1	
51001	51001-0294-25Q	TANK-COMP-FUEL,F.S.BLACK				1	
51049	51049-1134	CAP-TANK,FUEL				1	1
51086	51086-5062-25Q	TANK-COMP-FUEL,F.S.BLACK				1	
53044	53044-1209	TRIM,L=490				1	1
92022	92022-1690	WASHER,6.5X24X2				1	1
92022A	92022-1977	WASHER,5.1X10X1.0				2	2
92075	92075-1123	DAMPER,RUBBER				2	
92075A	92075-281	DAMPER				1	1
92143	92143-1459	COLLAR,6.8X10X24.5				1	1
92152	92152-0604	COLLAR				2	
92152A	92152-1560	COLLAR,6.5X10X18					2
92160	92160-1254	DAMPER,FUEL TANK,RR				1	1
92160A	92160-1328	DAMPER,FUEL TANK				2	2
92161	92161-1397	DAMPER,10X16X15					2
92161A	92161-1429	DAMPER,20X20X4				AR	
92161B	92161-1430	DAMPER,20X20X6				AR	
92170	92170-1492	CLAMP				2	2
92170A	92170-1834	CLAMP,TUBE				2	2
92192	92192-0604	TUBE				1	1
92192A	92192-0778	TUBE,7X12X700				2	2
92200	92200-0766	WASHER,6.5X18X1.6				4	
130	130BB0610	BOLT-FLANGED,6X10				4	
130A	130BB0625	BOLT-FLANGED,6X25				2	
132	132BA0622	BOLT-FLANGED-SMALL,6X22				2	
132A	132BA0635	BOLT-FLANGED-SMALL,6X35				1	1
220	220AA0510	SCREW-PAN-CROSS,5X10				2	2

F2510

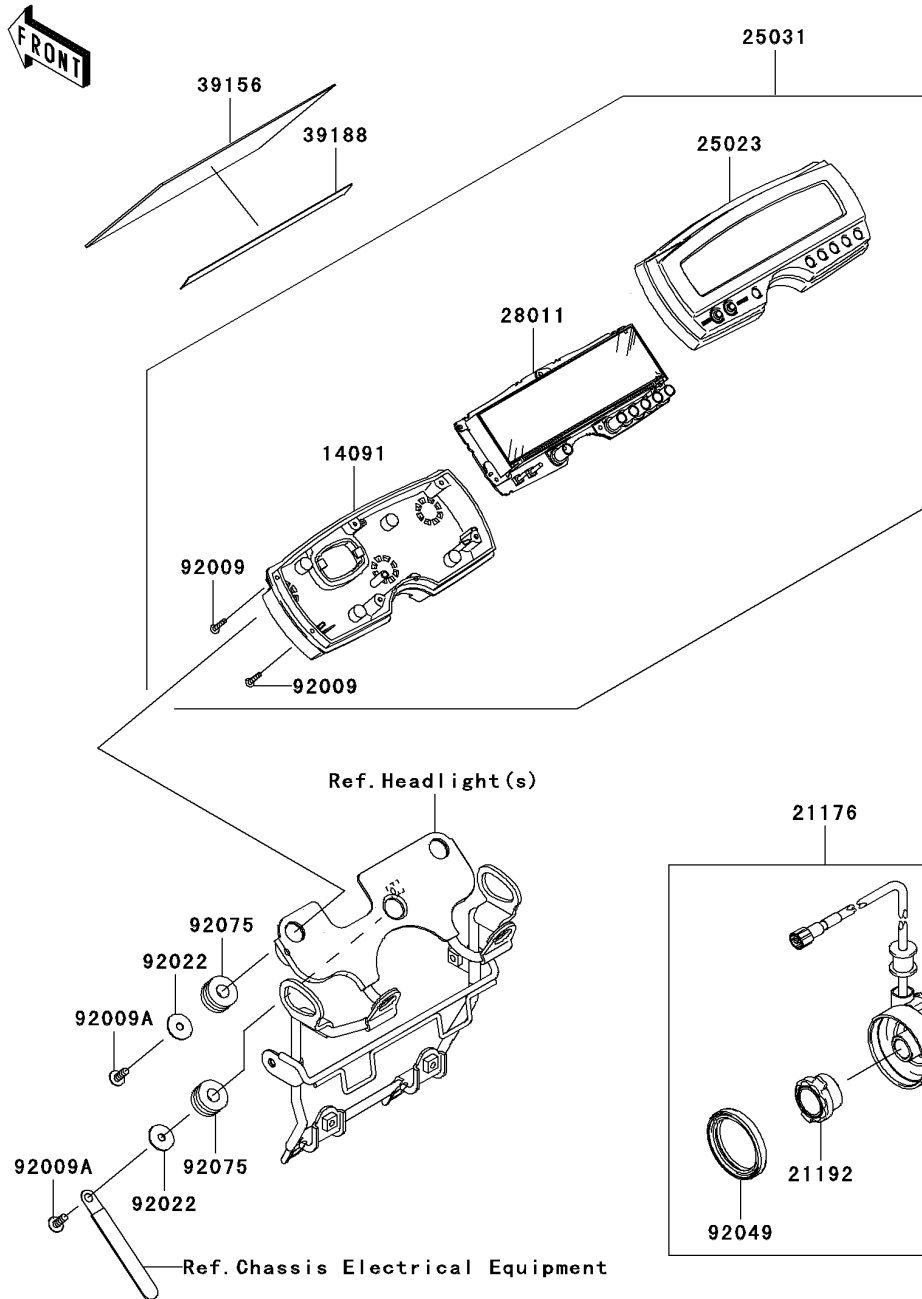


F-11. Seat

Ref. No.	Part No.	Description	Spec Code	Quantity			
				'11	'12		
				SBF	SCF		
53066	53066-0221-MA	SEAT-ASSY,DUAL,BLACK		1	1		
92072	92072-0130-MA	BAND,SEAT,BLACK		1	1		
92150	92150-1506	BOLT,FLANGED,6X16		2	2		

'11-'12 KLX250 SBF/SCF

F2530

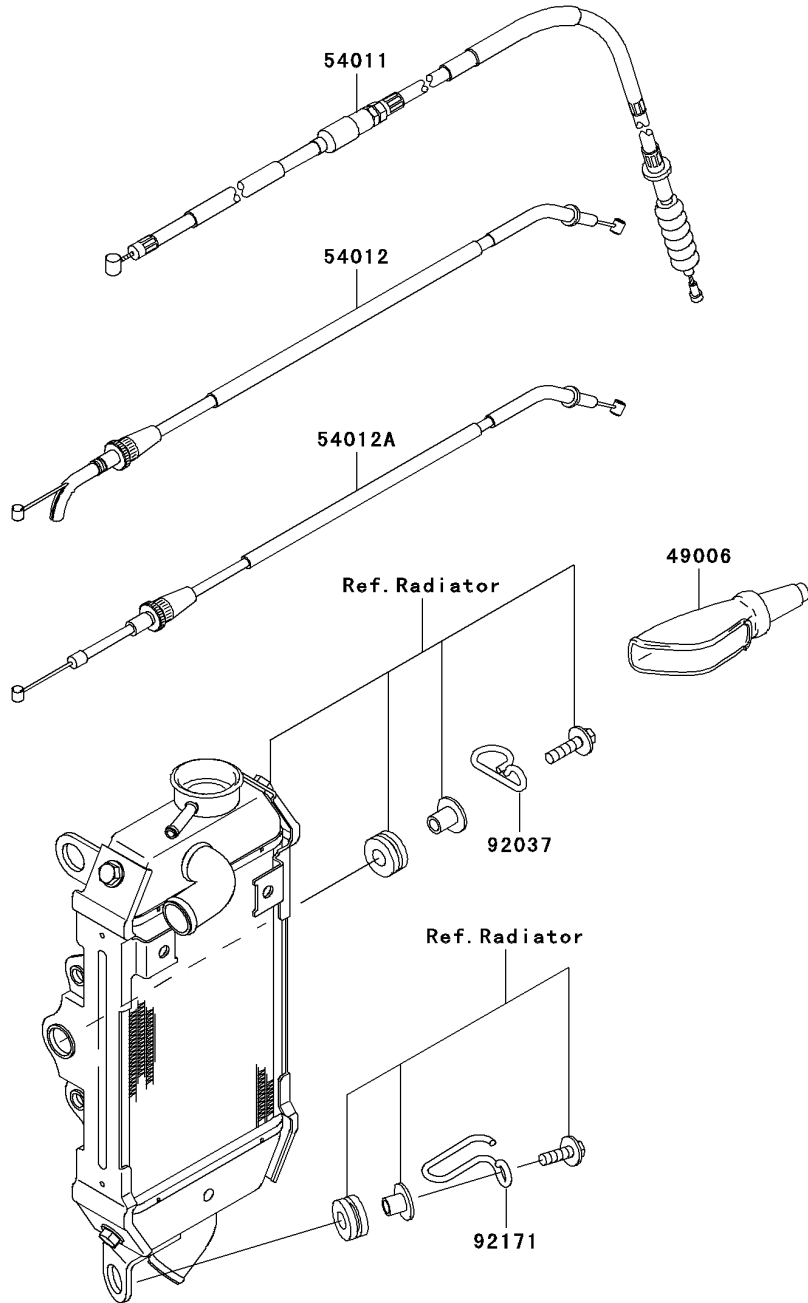


F-12. Meter(s)

Ref. No.	Part No.	Description	Spec Code	Quantity			
				'11	'12		
				SBF	SCF		
14091	14091-0874	COVER,METER,LWR		1	1		
21176	21176-0120	SENSOR,SPEED		1	1		
21192	21192-0004	MAGNET,SPEED SENSOR		1	1		
25023	25023-0035	COVER-METER CASE,UPP		1	1		
25031	25031-0170	METER-ASSY,LCD		1	1		
28011	28011-0105	METER,LCD		1	1		
39156	39156-0478	PAD,HEAD LAMP		1	1		
39188	39188-0012	TAPE		1	1		
92009	92009-1164	SCREW,TAPPING,3X16		7	7		
92009A	92009-1197	SCREW,TAPPING,5X14		3	3		
92022	92022-104	WASHER,5.5X20X1.2		3	3		
92049	92049-1172	SEAL-OIL,METER GEAR CASE		1	1		
92075	92075-1690	DAMPER		3	3		

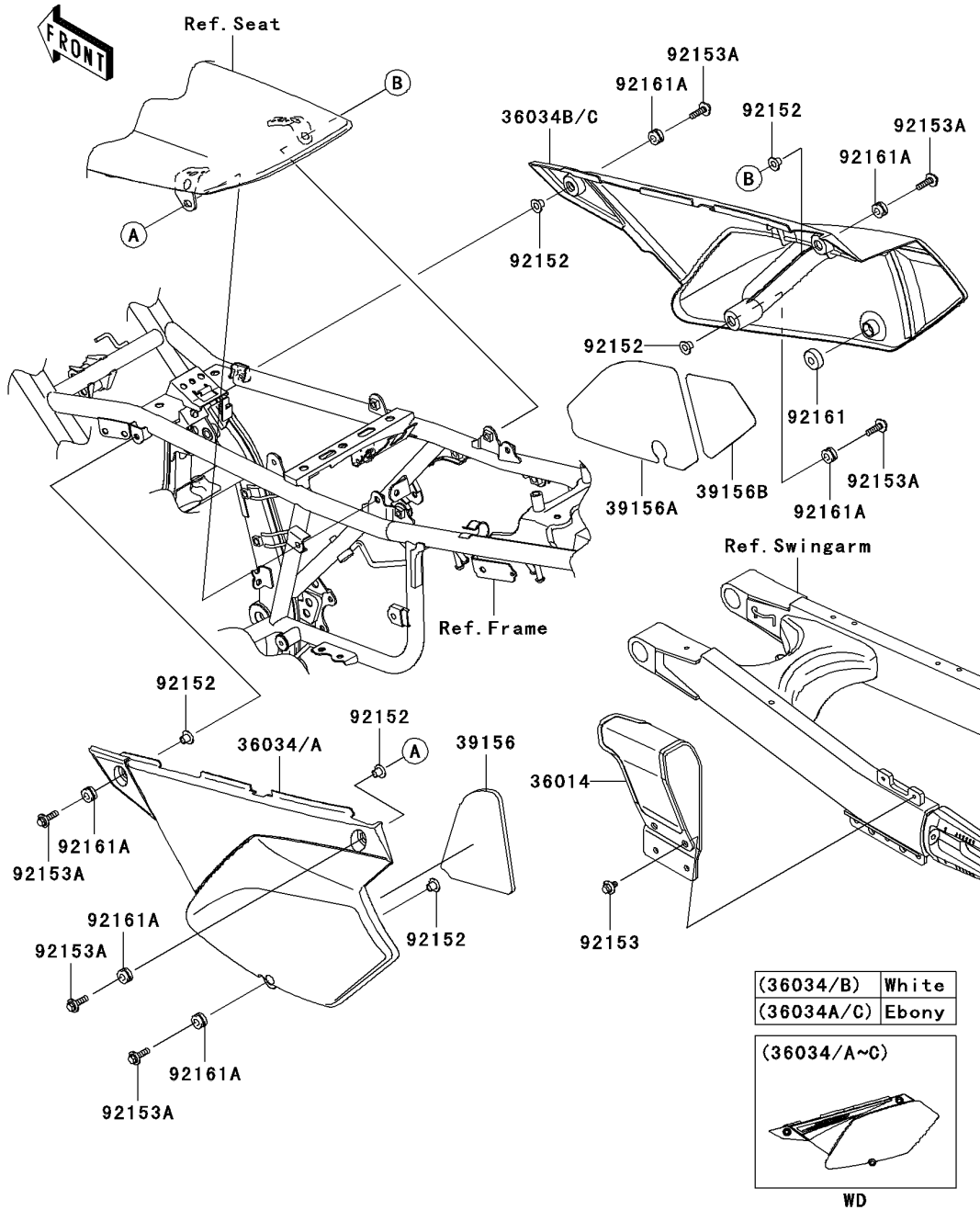


F2540



Ref. No.	Part No.	Description	Spec Code	Quantity			
				'11	'12		
				SBF	SCF		
49006	49006-1017	BOOT,LEVER HOLDER		1	1		
54011	54011-0093	CABLE-CLUTCH		1	1		
54012	54012-0263	CABLE-THROTTLE,OPENING		1	1		
54012A	54012-0264	CABLE-THROTTLE,CLOSING		1	1		
92037	92037-1064	CLAMP,CABLE		1	1		
92171	92171-1901	CLAMP,CABLE		1	1		

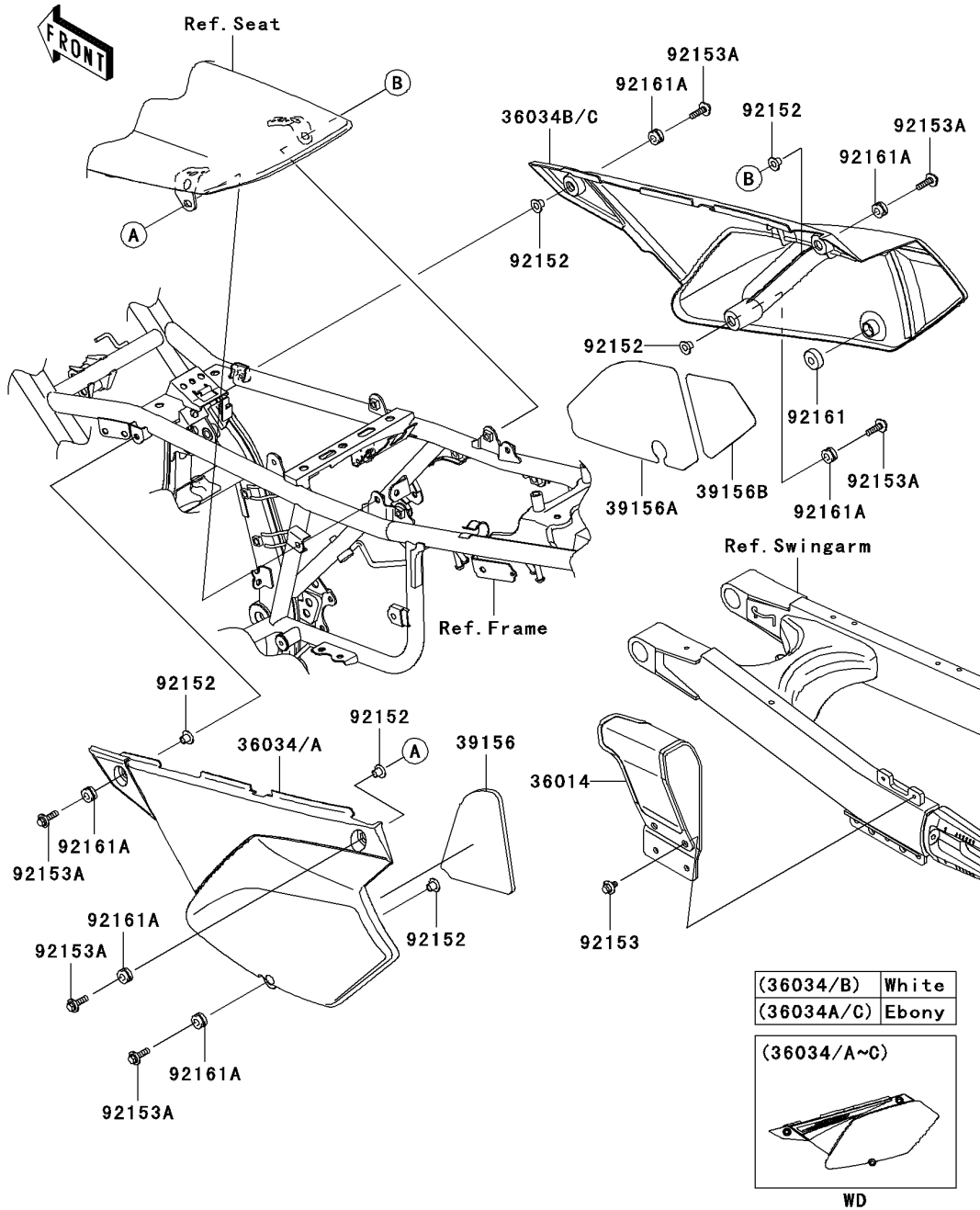
F2610



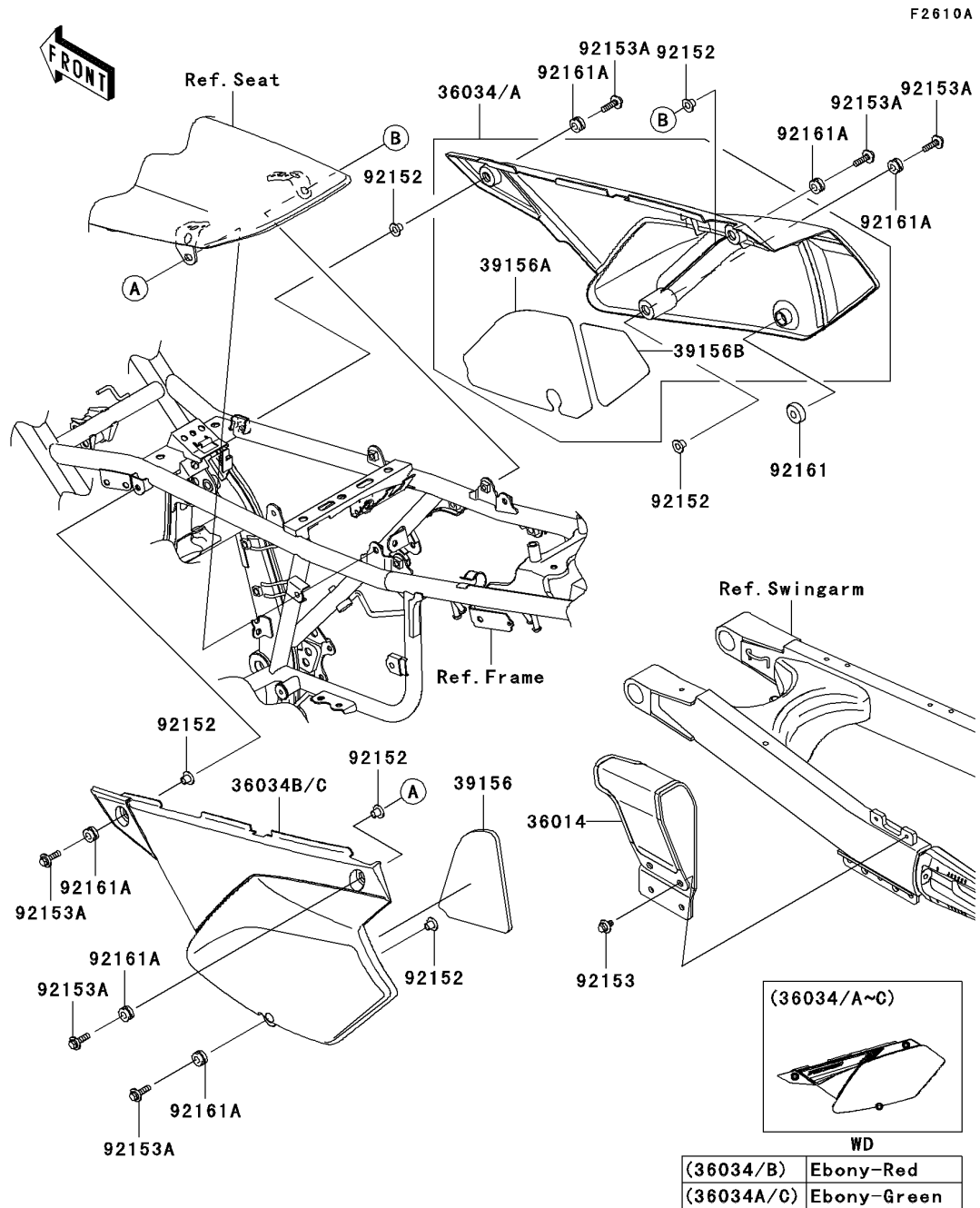
Ref. No.	Part No.	Description	Spec Code	Quantity			
				'11	'12		
				SBF	SCF		

36014	36014-0021	CASE-CHAIN					1
36034	36034-5273-266	COVER-SIDE,LH,B.WHITE					1
36034A	36034-5274-6C	COVER-SIDE,LH,EBONY					1
36034B	36034-5275-266	COVER-SIDE,RH,B.WHITE					1
36034C	36034-5276-6C	COVER-SIDE,RH,EBONY					1
39156	39156-0197	PAD,SIDE COVER,LH					1
39156A	39156-0198	PAD,SIDE COVER,RH					1
39156B	39156-0199	PAD,SIDE COVER,RH					1

F2610



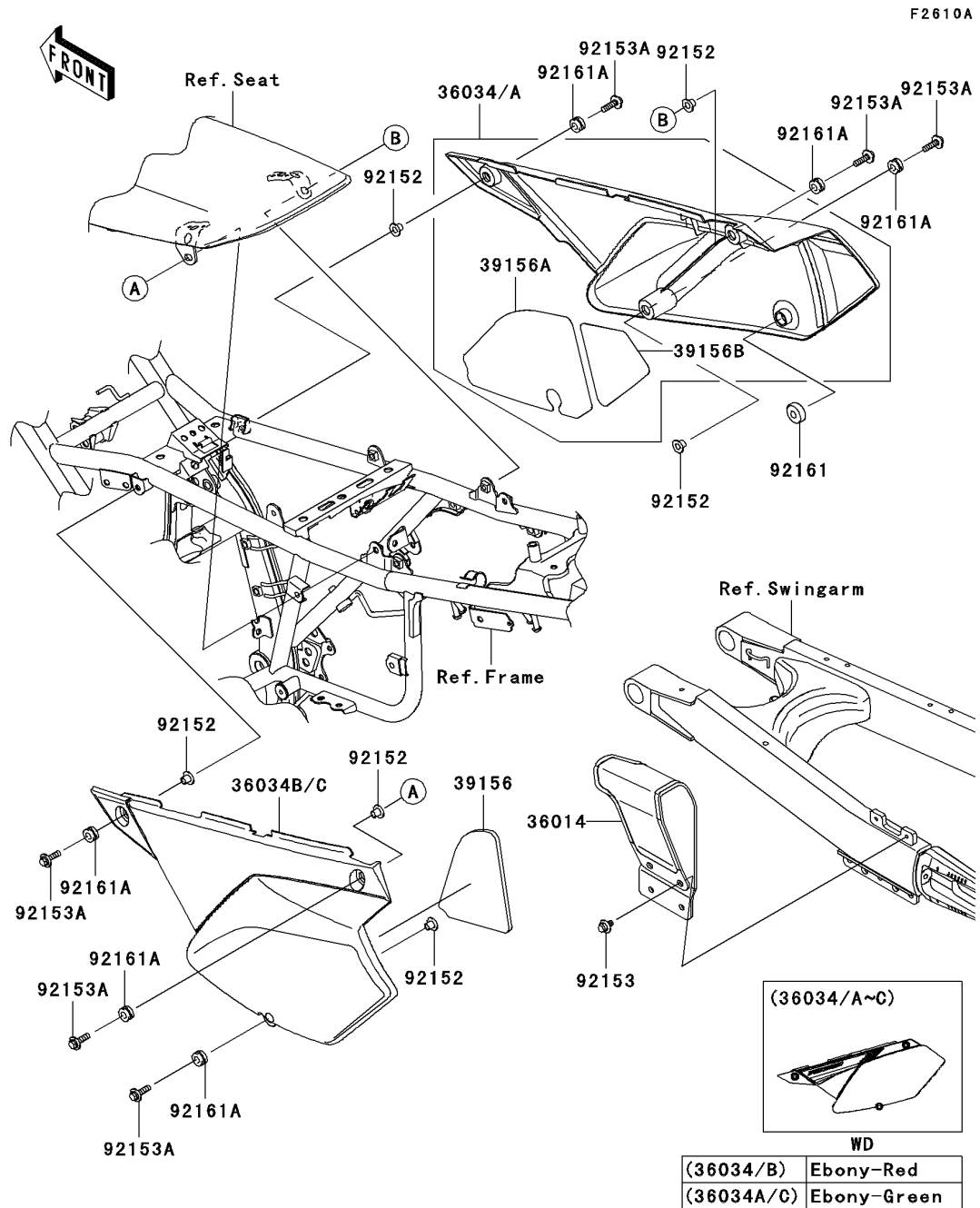
Ref. No.	Part No.	Description	Spec Code	Quantity			
				'11	'12		
				SBF	SCF		
92152	92152-0237	COLLAR				6	
92153	92153-0503	BOLT,6X12				2	
92153A	92153-0950	BOLT,FLANGED,6X22				6	
92161	92161-0605	DAMPER				1	
92161A	92161-0685	DAMPER				6	



Ref. No.	Part No.	Description	Spec Code	Quantity			
				'11	'12		
				SBF	SCF		
36014	36014-0021	CASE-CHAIN				1	
36034	36034-5390-6C	COVER-SIDE-SUB,RH,EBONY				1	
36034A	36034-5391-6C	COVER-SIDE-SUB,RH,EBONY				1	
36034B	36034-5392-6C	COVER-SIDE-SUB,LH,EBONY				1	
36034C	36034-5393-6C	COVER-SIDE-SUB,LH,EBONY				1	
39156	39156-0197	PAD,SIDE COVER,LH				1	
39156A	39156-0198	PAD,SIDE COVER,RH				1	
39156B	39156-0199	PAD,SIDE COVER,RH				1	

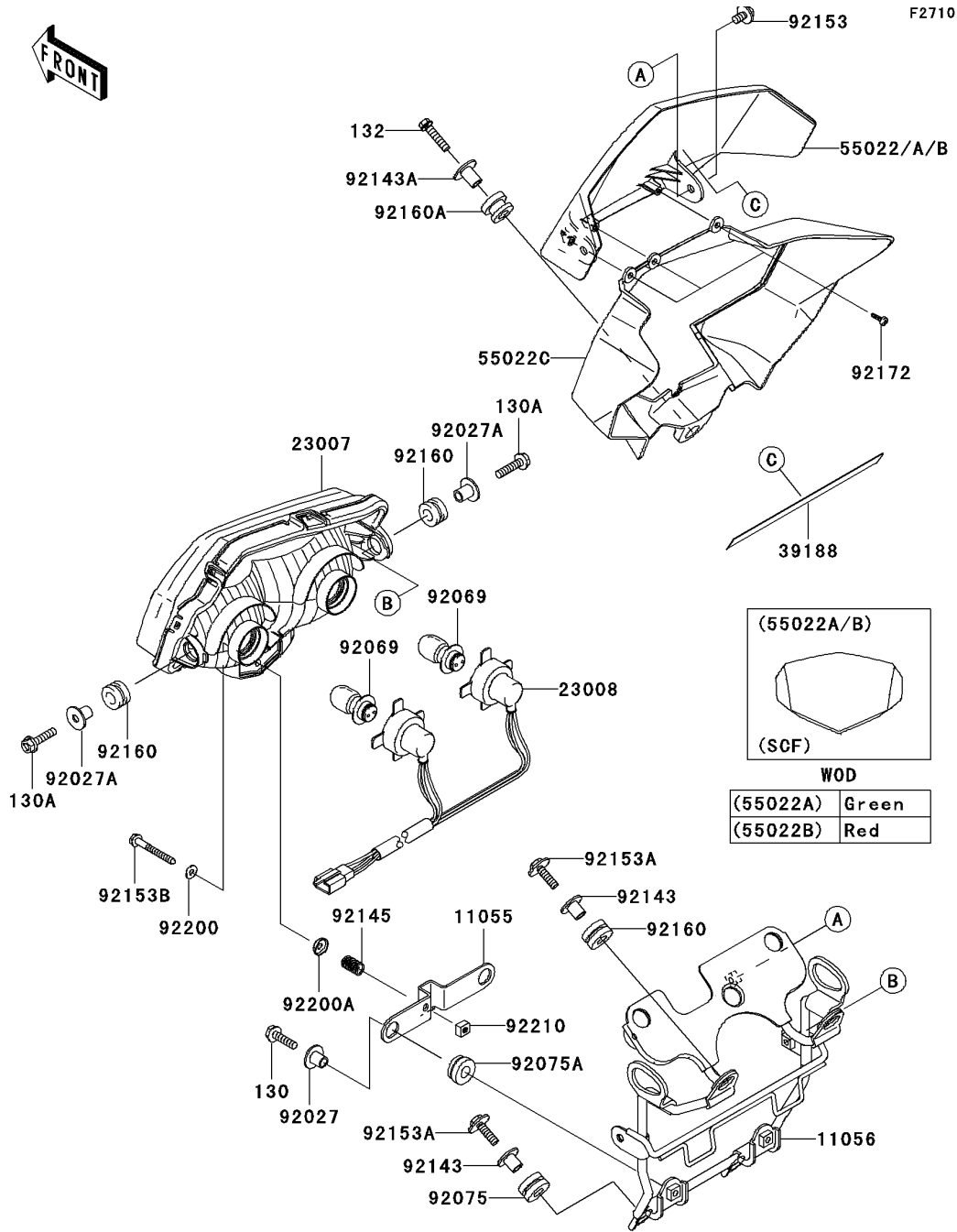
'11-'12 KLX250 SBF/SCF

G-5. Side Covers/Chain Cover(2/2)(SCF)



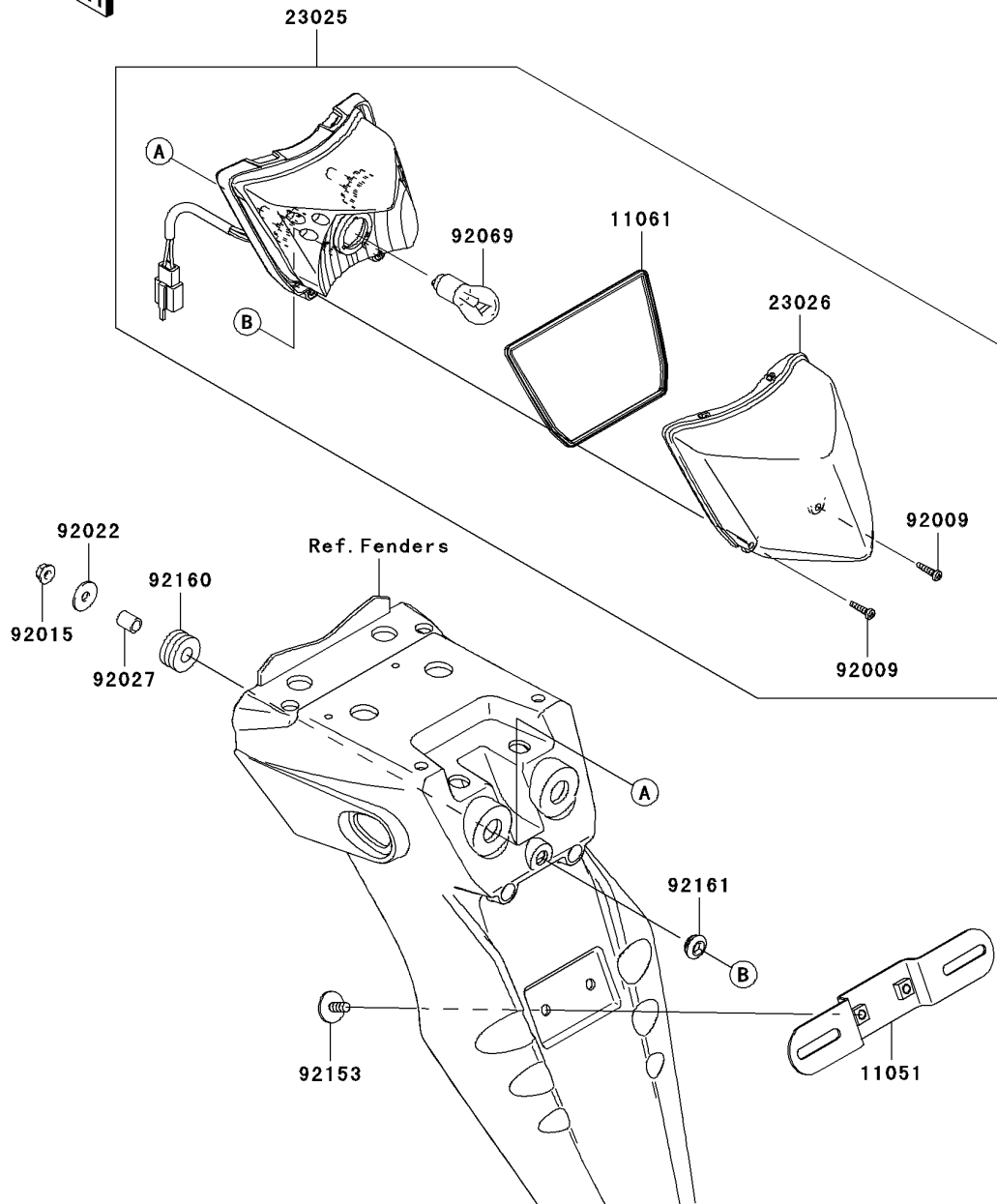
Ref. No.	Part No.	Description	Spec Code	Quantity			
				'11	'12		
				SBF	SCF		

'11-'12 KLX250 SBF/SCF



G-6. Headlight(s)

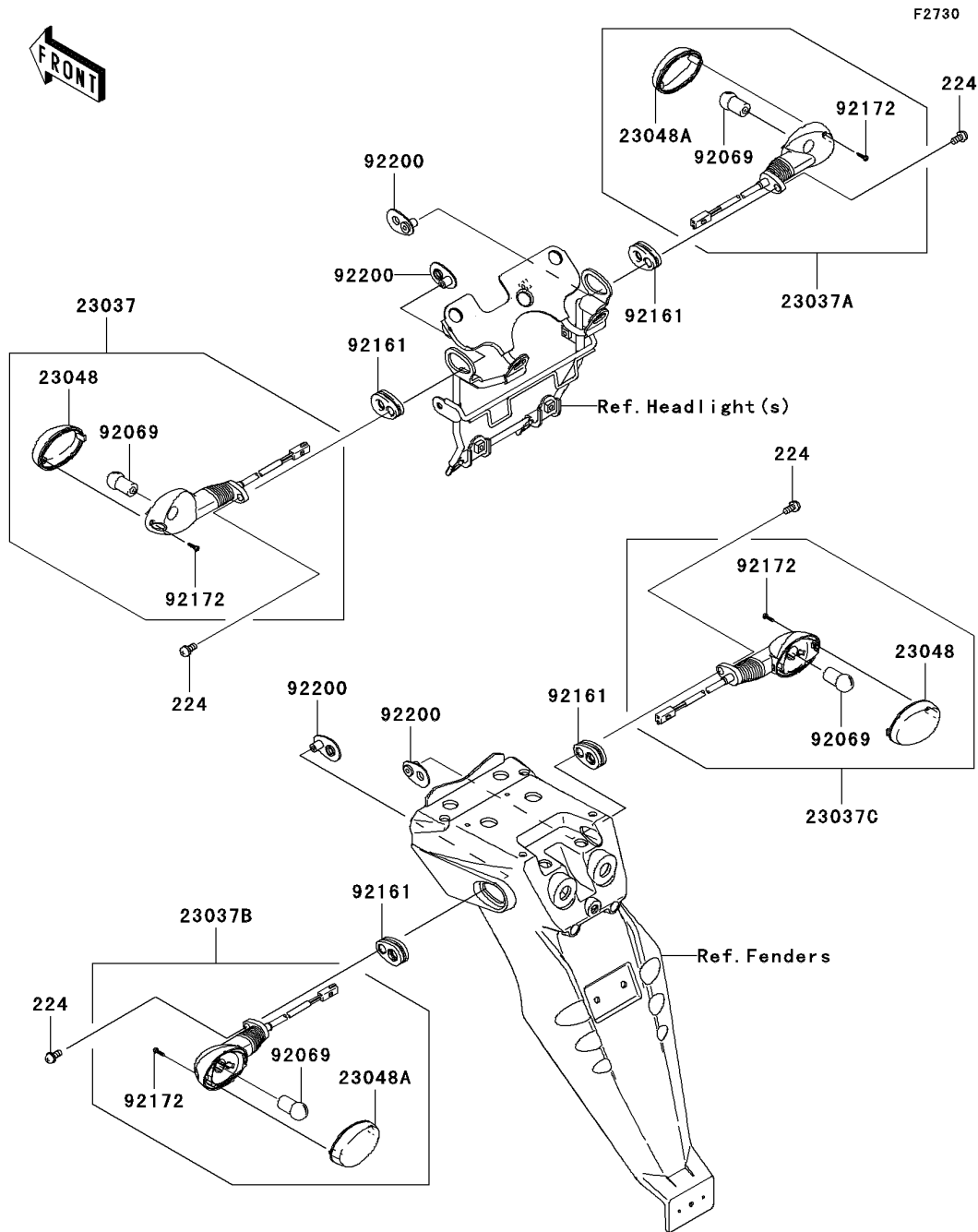
Ref. No.	Part No.	Description	Spec Code	Quantity			
				'11	'12		
				SBF	SCF		
11055	11055-0224	BRACKET,HEAD LAMP		1	1		
11056	11056-1504	BRACKET,HEAD LAMP&METER		1	1		
23007	23007-0137	LENS-COMP,HEAD LAMP		1	1		
23008	23008-0132	SOCKET-ASSY,HEAD LAMP		1	1		
39188	39188-0011	TAPE		1	1		
55022	55022-0041-266	COVER-HEAD LAMP,UPP,B.WHITE		1			
55022A	55022-0041-290	COVER-HEAD LAMP,UPP,L.GREEN		1	1		
55022B	55022-0041-6L	COVER-HEAD LAMP,UPP,F.RED			1		
55022C	55022-0054-6C	COVER-HEAD LAMP,LWR,EBONY		1	1		
92027	92027-1651	COLLAR,FLANGED,L=12.1,BLACK		2	2		
92027A	92027-1920	COLLAR,L=14.1		2	2		
92069	92069-0037	BULB,12V 30/30W		2	2		
92075	92075-209	DAMPER		2	2		
92075A	92075-277	DAMPER		2	2		
92143	92143-1353	COLLAR		4	4		
92143A	92143-1960	COLLAR		1	1		
92145	92145-0552	SPRING,FOCUS ADJUSTING		1	1		
92153	92153-0503	BOLT,6X12		2	2		
92153A	92153-0640	BOLT,UPSET-WP,6X22		4	4		
92153B	92153-1903	BOLT,5X42		1	1		
92160	92160-1167	DAMPER		4	4		
92160A	92160-1615	DAMPER		1	1		
92172	92172-0233	SCREW,TAPPING,4X12		3	3		
92200	92200-0401	WASHER		1	1		
92200A	92200-0402	WASHER		1	1		
92210	92210-0413	NUT,5MM		1	1		
130	130BB0622	BOLT-FLANGED,6X22		2	2		
130A	130BB0625	BOLT-FLANGED,6X25		2	2		
132	132BB0625	BOLT-FLANGED-SMALL,6X25		1	1		



G-7. Taillight(s)

Ref. No.	Part No.	Description	Spec Code	Quantity			
				'11	'12		
				SBF	SCF		
11051	11051-1503	BRACKET,LICENSE		1	1		
11061	11061-0326	GASKET,TAIL LAMP LENS		1	1		
23025	23025-0049	LAMP-TAIL		1	1		
23026	23026-0013	LENS,TAIL LAMP		1	1		
92009	92009-1605	SCREW,TAPPING,4X16		2	2		
92015	92015-1367	NUT,FLANGED,6MM		2	2		
92022	92022-1557	WASHER,6.5X20X1.6		2	2		
92027	92027-162	COLLAR,6.8X10X12		2	2		
92069	92069-1084	BULB,12V 21/5W		1	1		
92153	92153-0684	BOLT,6X16		2	2		
92160	92160-1162	DAMPER		2	2		
92161	92161-0631	DAMPER		1	1		

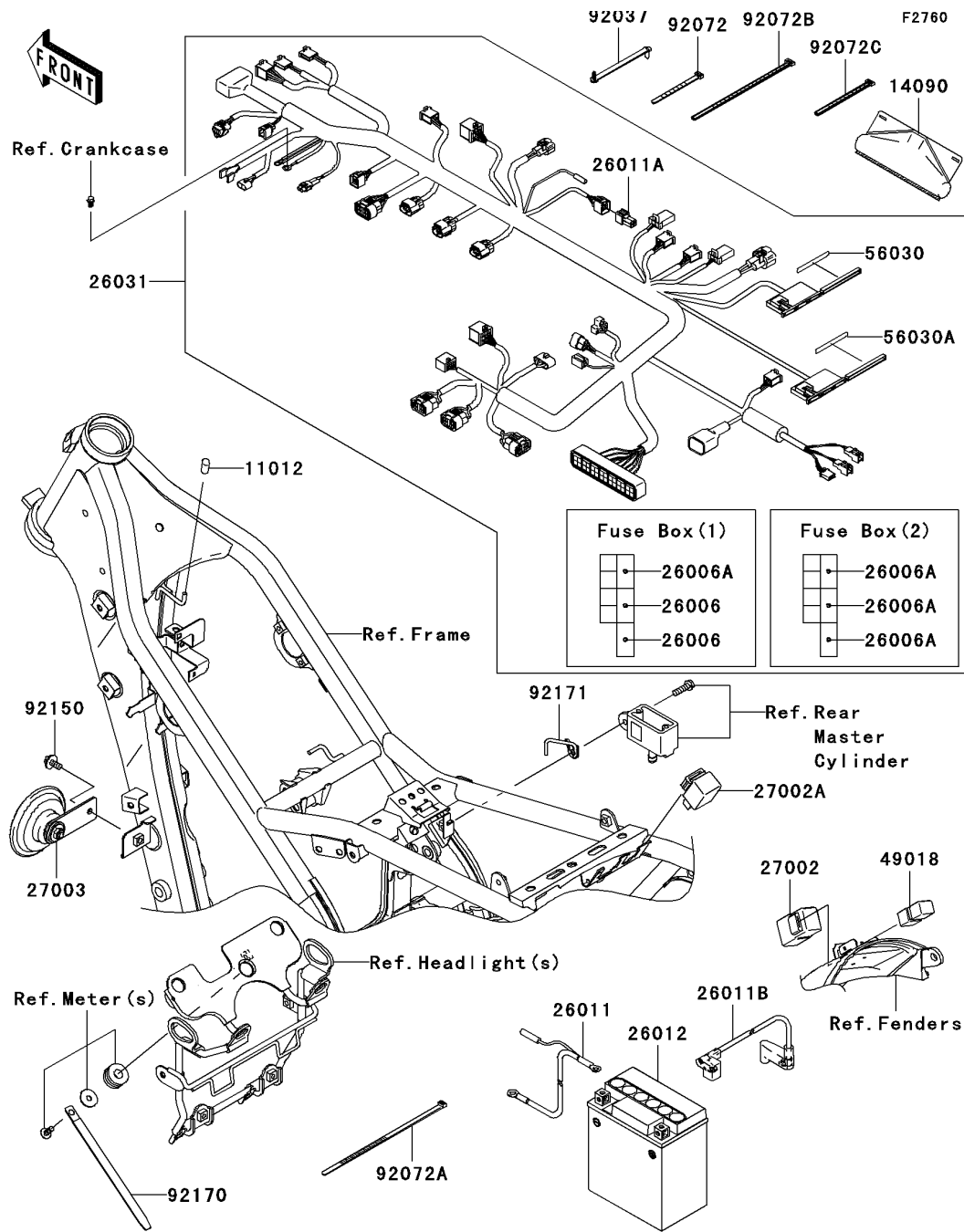
'11-'12 KLX250 SBF/SCF



G-8. Turn Signals

Ref. No.	Part No.	Description	Spec Code	Quantity			
				'11	'12		
				SBF	SCF		
23037	23037-0119	LAMP-ASSY-SIGNAL,FR,LH		1	1		
23037A	23037-0120	LAMP-ASSY-SIGNAL,FR,RH		1	1		
23037B	23037-0121	LAMP-ASSY-SIGNAL,RR,LH		1	1		
23037C	23037-0122	LAMP-ASSY-SIGNAL,RR,RH		1	1		
23048	23048-0012	LENS-SIGNAL LAMP,FR,LH&RR,RH		2	2		
23048A	23048-0013	LENS-SIGNAL LAMP,FR,RH&RR,LH		2	2		
92069	92069-0024	BULB,12V 10W		4	4		
92161	92161-0828	DAMPER,SIGNAL LAMP		4	4		
92172	92172-0343	SCREW,TAPPING,2.9X13		4	4		
92200	92200-0370	WASHER,SIGNAL LAMP		4	4		
224	224AB0614	SCREW-PAN-WP-CROS,6X14		4	4		

'11-'12 KLX250 SBF/SCF

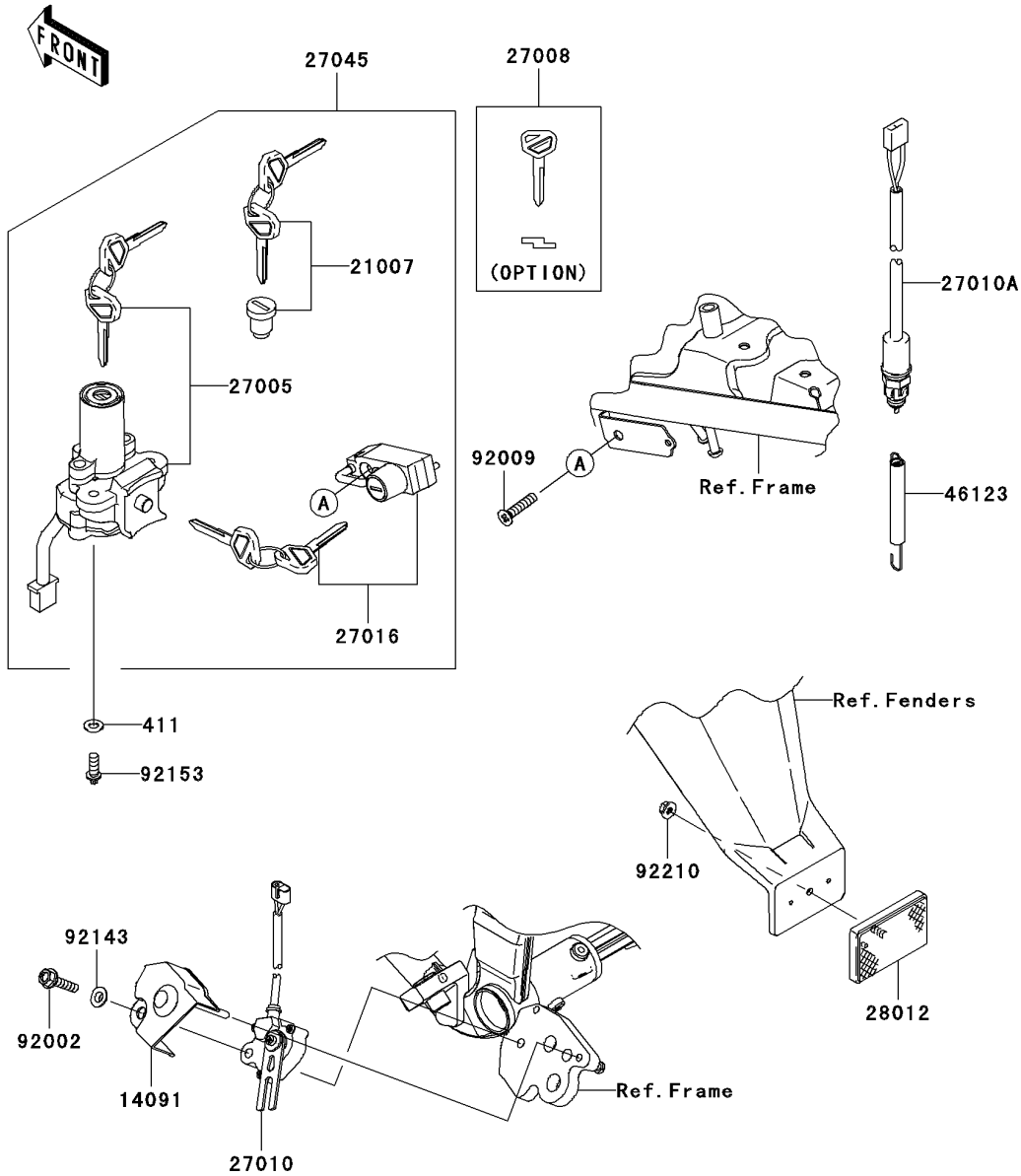


G-9. Chassis Electrical Equipment

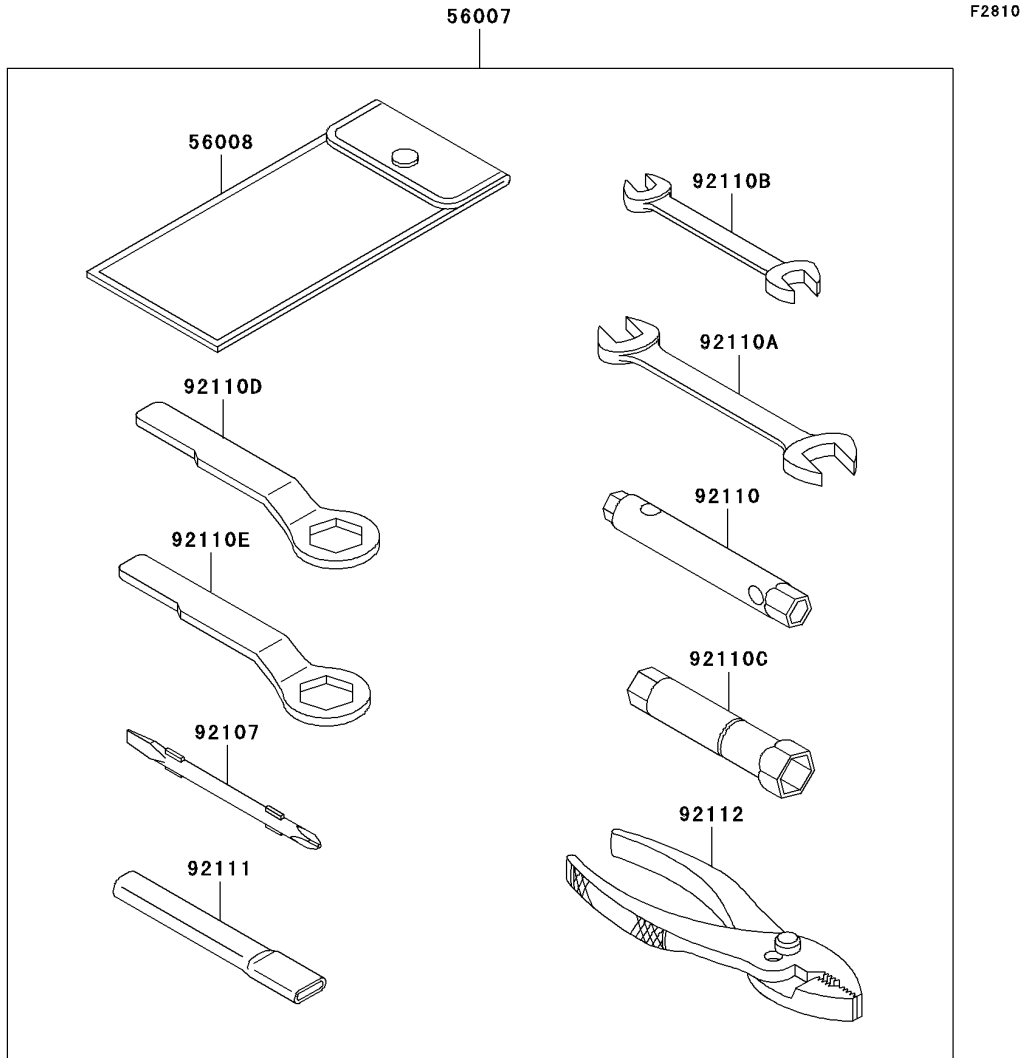
Ref. No.	Part No.	Description	Spec Code	Quantity			
				'11	'12		
				SBF	SCF		
11012	11012-1589	CAP,BUNGEE CORD HOOK	1	1			
14090	14090-1331	COVER,COUPLER	1	1			
26006	26006-0001	FUSE,MINI BLADE,15A,BLUE	2	2			
26006A	26006-0009	FUSE,MINI BLADE,10A,RED	4	4			
26011	26011-0209	WIRE-LEAD,BATTERY(-)	1	1			
26011A	26011-0271	WIRE-LEAD,CAP	1	1			
26011B	26011-1609	WIRE-LEAD,BATTERY(+)	1	1			
26012	26012-0562	BATTERY,FTX7L-BS,12V6AH	1	1			
26031	26031-1289	HARNES,MAIN	1	1			
27002	27002-1086	RELAY-ASSY	1	1			
27002A	27002-1097	RELAY-ASSY,SIGNAL LAMP	1	1			
27003	27003-0029	HORN	1	1			
49018	49018-0005	DIODE	1	1			
56030	56030-0190	LABEL,FUSE BOX	1	1			
56030A	56030-0191	LABEL,FUSE BOX	1	1			
92037	92037-1163	CLAMP,SPEED,L=58	3	3			
92072	92072-030	BAND,L=123	1	1			
92072A	92072-1195	BAND,L=202	1	1			
92072B	92072-1237	BAND,L=250	4	4			
92072C	92072-1293	BAND,L=140	3	3			
92150	92150-1689	BOLT,FLANGED,6X14	1	1			
92170	92170-1114	CLAMP,L=150	1	1			
92171	92171-1908	CLAMP,HARNES	1	1			

G-10. Ignition Switch

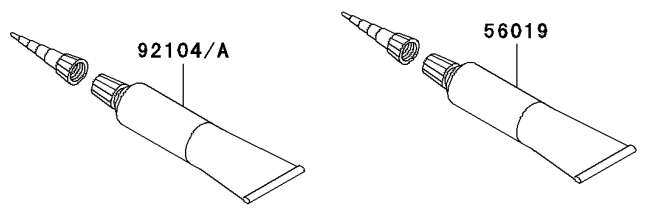
F2770



Ref. No.	Part No.	Description	Spec Code	Quantity			
				'11	'12		
				SBF	SCF		
14091	14091-1553	COVER,SIDE STAND SWITCH		1	1		
21007	21007-5040	ROTOR,LOCK,TANK CAP		1	1		
27005	27005-0046	SWITCH-ASSY-IGNITION		1	1		
27008	27008-1170	KEY-LOCK,BLANK (OPTION)		1	1		
27010	27010-0097	SWITCH,SIDE STAND		1	1		
27010A	27010-1489	SWITCH,REAR BRAKE		1	1		
27016	27016-5207	LOCK-ASSY,HELMET		1	1		
27045	27045-5383	SWITCH-ASSY		1	1		
28012	28012-1088	REFLECTOR-REFLEX		1	1		
46123	46123-0008	SPRING-COMP,REAR BRAKE SWITCH		1	1		
92002	92002-1582	BOLT,FLANGED,6X25		1	1		
92009	92009-1753	SCREW,6X30		1	1		
92143	92143-1331	COLLAR		1	1		
92153	92153-0967	BOLT,TORX,6X16		2	2		
92210	92210-0007	NUT,FLANGED,5MM		1	1		
411	411AA0600	WASHER-PLAIN,6.5X13X1		2	2		

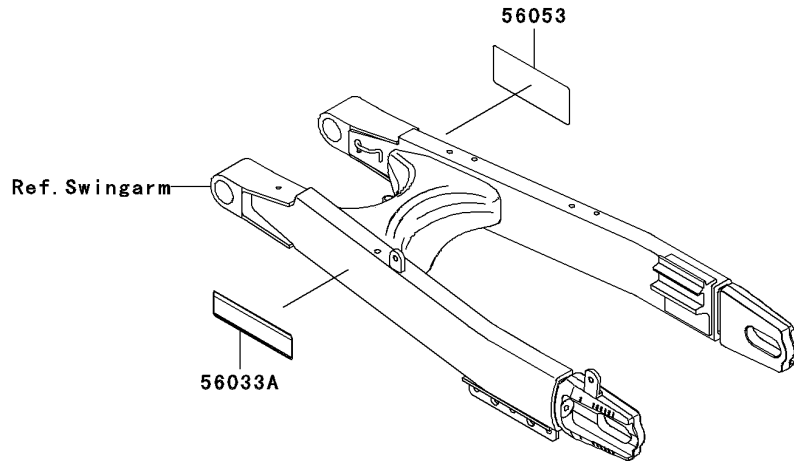
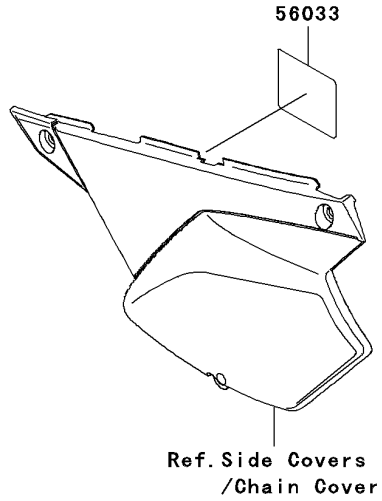


Ref. No.	Part No.	Description	Spec Code	Quantity			
				'11	'12		
				SBF	SCF		
56007	56007-0093	TOOL-KIT		1	1		
56008	56008-0036	BAG,TOOL		1	1		
56019	56019-120	GASKET-LIQUID,TB1211,WHITE		1	1		
92104	92104-0004	GASKET-LIQUID,TB1211F,CLEAR		1	1		
92104A	92104-1064	GASKET-LIQUID,TB1216B,BLACK		1	1		
92107	92107-0019	TOOL-DRIVER,#2PHILLIPS&SLOT		1	1		
92110	92110-0049	TOOL-WRENCH,BOX,8X10		1	1		
92110A	92110-0057	TOOL-WRENCH,OPEN END,14X17		1	1		
92110B	92110-0062	TOOL-WRENCH,OPEN END,10X12		1	1		
92110C	92110-0063	TOOL-WRENCH,BOX,16MM		1	1		
92110D	92110-0064	TOOL-WRENCH,BOX END,22MM		1	1		
92110E	92110-0065	TOOL-WRENCH,BOX END,27MM		1	1		
92111	92111-0008	TOOL-BAR,WRENCH		1	1		
92112	92112-0007	TOOL-PLIERS		1	1		





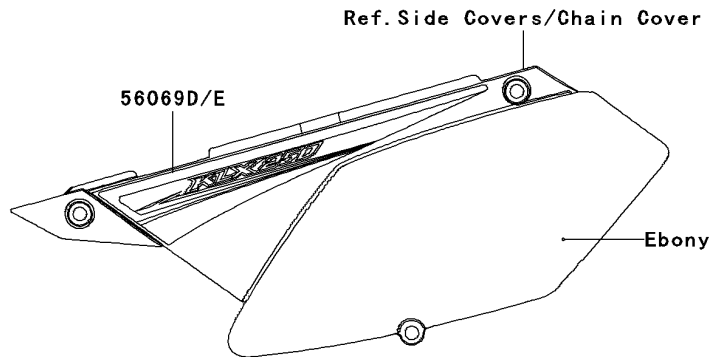
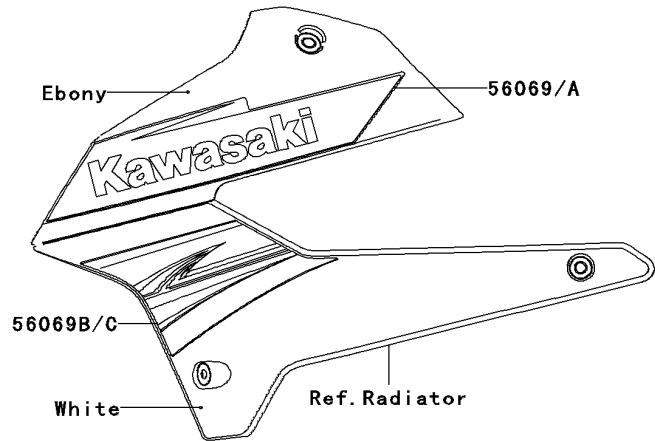
F2860



G-12. Labels

Ref. No.	Part No.	Description	Spec Code	Quantity			
				'11	'12		
				SBF	SCF		
56033	56033-0210	LABEL-MANUAL,DAILY SAFETY		1	1		
56033A	56033-0248	LABEL-MANUAL,CHAIN		1	1		
56053	56053-0298	LABEL-SPECIFICATION,TIRE&LOAD		1	1		

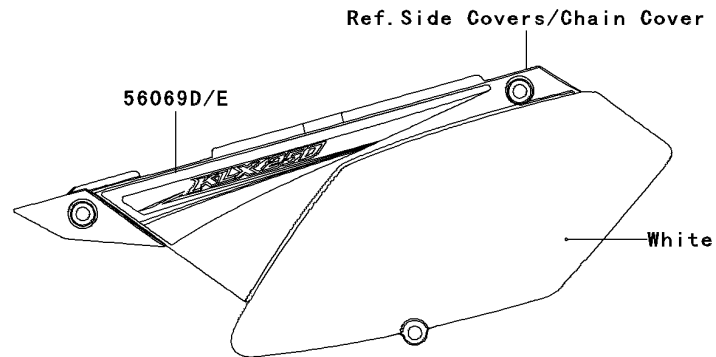
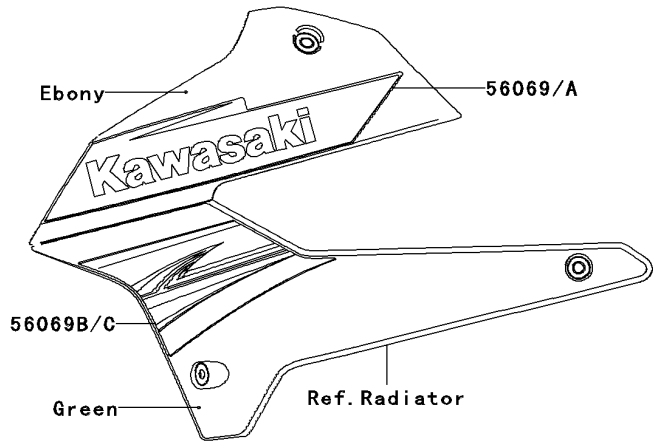
F2861



G-13. Decals(White)(SBF)

Ref. No.	Part No.	Description	Spec Code	Quantity			
				'11	'12		
				SBF	SCF		
56069	56069-0921	PATTERN,SHROUD,UPP,LH					1
56069A	56069-0922	PATTERN,SHROUD,UPP,RH					1
56069B	56069-0929	PATTERN,SHROUD,LWR,LH					1
56069C	56069-0930	PATTERN,SHROUD,LWR,RH					1
56069D	56069-0931	PATTERN,SIDE COVER,LH					1
56069E	56069-0932	PATTERN,SIDE COVER,RH					1

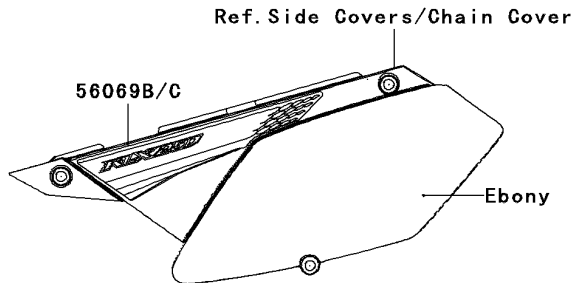
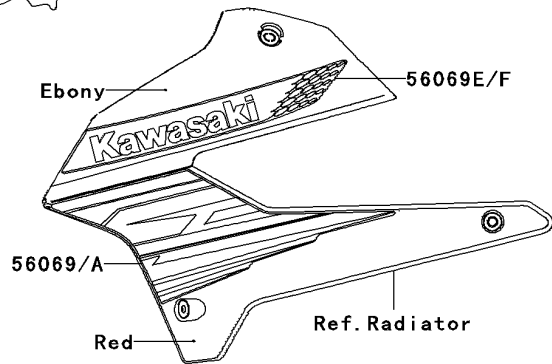
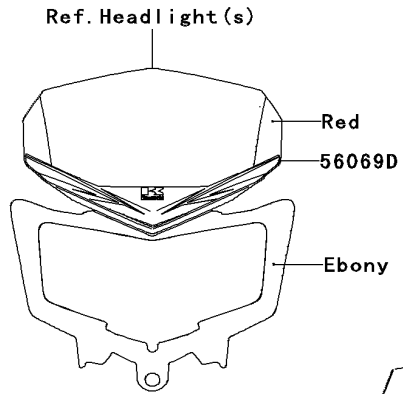
F2861A



G-14. Decals(Green)(SBF)

Ref. No.	Part No.	Description	Spec Code	Quantity			
				'11	'12		
				SBF	SCF		
56069	56069-0921	PATTERN,SHROUD,UPP,LH				1	
56069A	56069-0922	PATTERN,SHROUD,UPP,RH				1	
56069B	56069-0923	PATTERN,SHROUD,LWR,LH				1	
56069C	56069-0924	PATTERN,SHROUD,LWR,RH				1	
56069D	56069-0925	PATTERN,SIDE COVER,LH				1	
56069E	56069-0926	PATTERN,SIDE COVER,RH				1	

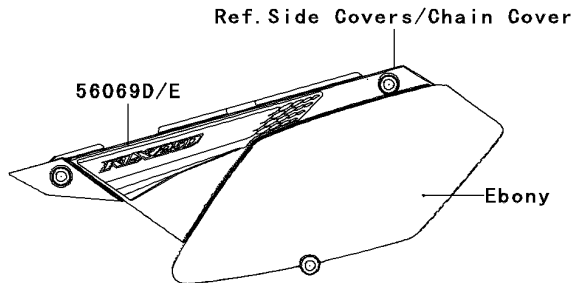
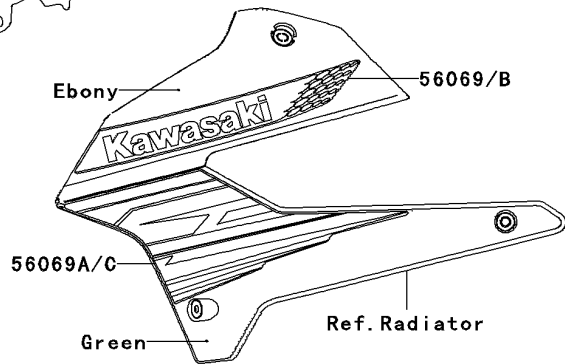
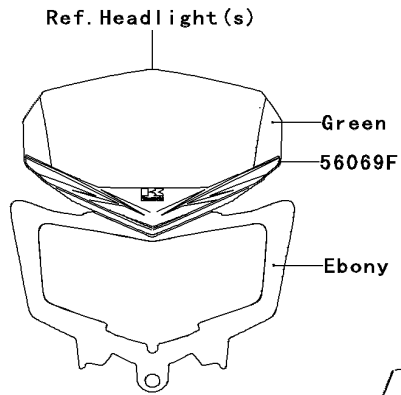
F2861B



H-3. Decals(Red)(SCF)

Ref. No.	Part No.	Description	Spec Code	Quantity			
				'11	'12		
				SBF	SCF		
56069	56069-1672	PATTERN,SHROUD,LWR,LH				1	
56069A	56069-1673	PATTERN,SHROUD,LWR,RH				1	
56069B	56069-1674	PATTERN,SIDE COVER,LH				1	
56069C	56069-1675	PATTERN,SIDE COVER,RH				1	
56069D	56069-1676	PATTERN,HEAD LAMP COVER				1	
56069E	56069-1741	PATTERN,SHROUD,UPP,LH				1	
56069F	56069-1742	PATTERN,SHROUD,UPP,RH				1	

F2861C



H-4. Decals(Green)(SCF)

Ref. No.	Part No.	Description	Spec Code	Quantity			
				'11 SBF	'12 SCF		
56069	56069-1665	PATTERN,SHROUD,UPP,LH					1
56069A	56069-1666	PATTERN,SHROUD,LWR,LH					1
56069B	56069-1667	PATTERN,SHROUD,UPP,RH					1
56069C	56069-1668	PATTERN,SHROUD,LWR,RH					1
56069D	56069-1669	PATTERN,SIDE COVER,LH					1
56069E	56069-1670	PATTERN,SIDE COVER,RH					1
56069F	56069-1671	PATTERN,HEAD LAMP COVER					1

'11-'12 KLX250 SBF/SCF

Numerical Parts Index

Part No.	Fig No.	Part No.	Fig No.	Part No.	Fig No.	Part No.	Fig No.	Part No.	Fig No.	Part No.	Fig No.
11002-0071	B-3	12021-1115	B-3	13107-0198	E-7	132BC0620	C-5	21066-0040	C-11	27002-1086	D-3
11004-1249	B-3	12032-1058	B-8	13114-1068	B-11	132BC0630	C-13	21121-0033	C-12	27002-1086	G-9
11005-0112	B-5	12044-0175	B-9	13127-0052	B-12	132BC0630	C-5	21130-1002	C-12	27002-1097	G-9
11009-1105	B-3	12044-0746	B-9	13128-0039	B-12	132BC0670	C-3	21131-005	C-12	27003-0029	G-9
11009-1145	D-3	12044-1327	B-9	13140-1216	B-13	132BC0670	C-5	21163-0046	C-13	27005-0046	G-10
11009-1344	B-3	12046-0001	B-9	13140-1217	B-13	14001-0138	C-3	21175-0359	C-9	27008-1170	G-10
11009-1592	F-9	12048-0054	B-9	13140-1218	B-13	14014-1062	C-4	21175-0777	C-9	27010-0025	F-4
11011-0139	B-6	12053-0001	E-5	13141-0039	B-13	14014-1130	B-9	21176-0009	C-9	27010-0097	G-10
11012-1084	D-3	12053-1268	E-6	13144-0056	B-12	14026-0027	C-4	21176-0026	C-9	27010-1094	F-8
11012-1259	E-6	12053-1270	E-6	13151-1080	B-13	14031-0110	C-4	21176-0048	C-9	27010-1336	C-13
11012-1369	E-5	12053-1315	B-9	13156-1480	B-14	14032-0004	C-4	21176-0094	C-9	27010-1489	G-10
11012-1581	E-13	12053-1317	B-9	13159-1056	F-6	14032-0005	C-4	21176-0120	F-12	27016-5207	G-10
11012-1589	G-9	12053-1328	E-6	13161-1214	B-14	14037-0067-6C	D-3	21176-0122	C-6	27045-5383	G-10
11012-1670	E-11	12053-1337	C-4	13194-1091	C-13	14044-1078	C-4	21176-0122	C-7	28011-0105	F-12
11012-1762	E-3	12053-1391	B-9	13216-1148	C-13	14067-006	C-3	21192-0004	F-12	28012-1088	G-10
11012-1915	C-10	12053-1453	E-6	13216-1193	C-10	14069-1051	B-6	220AA0510	F-10	311BA0600	B-14
11013-0030	B-6	12053-1454	E-6	13236-0158	B-11	14073-0158	B-6	220AA0512	C-11	317BA0800	E-6
11051-1503	G-7	120CA0530	C-11	13236-1209	B-14	14073-0185	B-6	220AA0608	E-6	32029-1855	E-4
11053-1656	C-4	120CA0610	C-5	13260-1386	B-12	14079-0030	F-7	220AA0610	C-10	32059-1117	E-5
11055-0224	G-6	120CA0840	F-5	13262-0480	B-12	14090-1331	G-9	220AA0625	C-10	32085-1386	F-7
11055-1174	E-5	13001-0102	B-5	13262-0481	B-12	14091-0019	C-4	220AA0630	C-10	32097-0001	E-5
11056-1452	F-10	13002-1073	B-5	13262-0483	B-12	14091-0874	F-12	220AB0525	F-8	32160-0349-18R	E-3
11056-1457	F-10	13008-1149	B-5	13262-0484	B-12	14091-1553	G-10	220AB0540	F-8	32160-0610-18R	E-3
11056-1504	G-6	13031-0103	B-10	13262-0485	B-12	14091-1714	C-6	221AA0610	F-6	32190-0416	E-4
11056-1515	B-6	13041-0001	B-10	13262-0597	B-12	14091-1748	B-4	221AA0650	E-6	32190-0417	E-4
11060-1203	B-7	13070-1144	F-6	13262-0598	B-12	14092-0887	C-7	221AB0316	F-8	33001-0175-458	E-6
11060-1318	B-4	13086-0004	B-11	13262-0600	B-12	16007-1163	B-8	224AB0510	C-7	33032-0033	E-6
11060-1324	C-4	13087-0045	B-11	13262-0704	B-12	16065-0045	B-3	224AB0614	G-8	33040-0023	E-6
11060-1325	C-4	13088-0042	B-11	13271-1567	C-4	16073-0053	C-13	23007-0137	G-6	34003-0084-18R	E-8
11060-1326	C-4	13089-1085	B-11	13272-0676	C-6	16073-0077	C-6	23008-0132	G-6	34024-0079-458	E-10
11060-1327	C-4	13089-1094	B-11	13272-0676	C-7	16073-0077	C-7	23025-0049	G-7	34028-0110	E-8
11060-1328	C-14	13089-1116	B-11	13280-0105	F-8	16082-1163	C-10	23026-0013	G-7	34028-0111	E-8
11060-1641	C-4	13089-1117	B-11	13280-0252	B-6	16115-1053	C-4	23037-0119	G-8	34028-1361	E-8
11060-1740	B-5	13091-1134	B-11	13280-0263	B-6	16126-0033	B-6	23037-0120	G-8	34028-1362	E-8
11060-1886	B-3	13091-1683	B-11	132BA0616	E-6	16130-1001	C-4	23037-0121	G-8	35004-0080-266	E-9
11061-0222	C-3	13091-1856	B-13	132BA0620	C-11	16142-0059	C-14	23037-0122	G-8	35004-0080-290	E-9
11061-0326	G-7	13091-1862	B-13	132BA0622	F-10	16142-1123	C-10	23048-0012	G-8	35004-0080-6L	E-9
11061-0373	B-13	13091-1875	E-5	132BA0635	F-10	16154-1130	C-10	23048-0013	G-8	35019-0004	E-9
11061-0418	C-4	13091-1883	C-13	132BA0660	E-6	16163-0134	C-6	25023-0035	F-12	35019-0056	E-9
11061-1055	B-7	13095-1352	B-11	132BB0608	E-5	16163-0724	C-7	25031-0170	F-12	35022-0039-266	E-9
11065-0018	C-6	13097-0087	B-10	132BB0612	B-9	172BA0680	C-3	26006-0001	G-9	35022-0039-290	E-9
11065-0018	C-7	130BA0840	E-5	132BB0612	E-5	18088-0594	B-7	26006-0009	G-9	35022-0039-6L	E-9
11065-0232	B-6	130BB0608	F-9	132BB0616	F-4	18091-0688	B-7	26006-1051	C-13	35022-0058	E-9
11065-0274	C-4	130BB0610	F-10	132BB0622	E-9	18091-0775	B-7	26011-0164	C-13	36014-0021	F-14
11065-0293	B-3	130BB0610	F-4	132BB0625	G-6	186BA0620	E-5	26011-0209	G-9	36014-0021	G-4
112BB0622	F-8	130BB0622	G-6	132BB0630	E-9	21003-0087	C-11	26011-0271	G-9	36034-5273-266	F-14
12004-1111	B-8	130BB0625	F-10	132BC0612	C-5	21007-0100	C-11	26011-1609	G-9	36034-5274-6C	F-14
12005-0029	B-8	130BB0625	G-6	132BC0618	C-12	21007-5040	G-10	26012-0562	G-9	36034-5275-266	F-14
12009-1069	B-8	130CA1020	E-8	132BC0618	C-5	21039-0004	C-13	26031-1289	G-9	36034-5276-6C	F-14
12011-1053	B-8	13101-1253	B-10	132BC0620	B-14	21040-0003	C-13	27002-1086	C-8	36034-5390-6C	G-4

'11-'12 KLX250 SBF/SCF

Numerical Parts Index

Part No.	Fig No.	Part No.	Fig No.	Part No.	Fig No.	Part No.	Fig No.	Part No.	Fig No.	Part No.	Fig No.
36034-5391-6C	G-4	411AA0600	G-10	44028-1084	F-9	49131-5460-27W	D-4	56069-0931	G-13	92009-1984	C-9
36034-5392-6C	G-4	42034-0048	C-13	44029-0010-KX	F-9	49131-5461-40C	D-4	56069-0932	G-13	92015-1188	E-10
36034-5393-6C	G-4	42036-1064	E-6	44037-0078-18R	F-9	49131-5462-27W	D-4	56069-1665	H-4	92015-1197	F-8
39007-0100	E-7	42036-1245	E-7	44039-0059-18R	F-9	51001-0294-25Q	F-10	56069-1666	H-4	92015-1367	C-4
39060-0038	D-3	42036-1248	E-7	44071-5074	F-9	51044-0040	C-8	56069-1667	H-4	92015-1367	G-7
39061-0182	D-3	42036-1318	E-7	44071-5075	F-9	51049-1134	F-10	56069-1668	H-4	92015-1407	E-12
39062-0199	D-3	42041-1421	E-13	45014-0246-23F	F-3	51086-5062-25Q	F-10	56069-1669	H-4	92015-1407	E-6
39062-0200	D-3	43001-0110	E-14	46003-0164-458	F-8	510A3100	C-11	56069-1670	H-4	92015-1407	E-7
39062-0204	D-3	43010-1068	F-6	46012-0010-18R	F-8	52005-1009	C-4	56069-1671	H-4	92015-1432	B-7
39062-1563	D-3	43015-1697	F-4	46019-0036	F-8	52010-1053	C-10	56069-1672	H-3	92015-1476	C-13
39062-1564	D-3	43016-1149	F-6	46075-0082	F-8	52014-0005	B-5	56069-1673	H-3	92015-1487	D-4
39062-1786	D-3	43020-1094	F-6	46076-1244	F-8	53044-1209	F-10	56069-1674	H-3	92015-1528	F-4
39076-0020	C-13	43020-1126	F-4	46091-0162	F-8	53066-0221-MA	F-11	56069-1675	H-3	92015-1546	E-3
39111-0053	E-7	43022-1010	F-4	46091-0163	F-8	54011-0093	F-13	56069-1676	H-3	92015-1581	B-10
39156-0197	F-14	43026-1074	F-4	46092-1140	F-4	54012-0263	F-13	56069-1741	H-3	92015-1581	B-11
39156-0197	G-4	43026-1075	F-6	46092-1206	F-8	54012-0264	F-13	56069-1742	H-3	92015-1740	F-5
39156-0198	F-14	43028-1061	F-4	46123-0008	G-10	55020-0320-6C	F-9	59051-1304	C-13	92015-1770	E-13
39156-0198	G-4	43028-1067	F-6	461S0600	B-7	55020-0484-6C	F-9	59071-0063	C-6	92015-1839	F-9
39156-0199	F-14	43034-1016	F-4	480J1300	B-14	55020-1456	E-5	59071-0063	C-7	92015-1963	B-12
39156-0199	G-4	43044-0007	F-5	481J3500	E-12	55020-1460	C-4	59256-1063	C-14	92022-1028	F-6
39156-0325	B-7	43045-1010	F-5	49002-1126	B-3	55020-1488-6C	F-7	59502-0028	D-4	92022-104	F-12
39156-0428	B-7	43045-1052	F-5	49006-1017	F-13	55020-1489	F-6	601B6202UG	E-12	92022-1108	B-9
39156-0478	F-12	43048-0011	F-5	49006-1040	F-4	55022-0041-266	G-6	610A0408	B-13	92022-1299	F-9
39156-0518	B-7	43048-1068	F-7	49006-1088	F-5	55022-0041-290	G-6	610A0408	C-5	92022-1356	B-10
39188-0011	G-6	43049-1060	F-5	49006-1088	F-7	55022-0041-6L	G-6	670B1506	C-14	92022-1356	B-11
39188-0012	F-12	43049-1060	F-7	49006-1242	F-5	55022-0054-6C	G-6	670B2018	B-9	92022-1373	F-5
39193-0045	B-3	43049-1061	F-5	49006-1242	F-7	550AA2015	F-6	670D2010	C-10	92022-1415	C-3
41009-0025	E-11	43049-1061	F-7	49016-1044	F-4	550AA2515	E-8	702A0770	B-6	92022-1496	B-14
41009-0026	E-11	43056-0004	F-5	49018-0005	G-9	550AA2525	E-14	92001-1105	B-3	92022-1557	G-7
41022-0004	E-11	43056-0004	F-7	49033-0016	C-6	550AA3025	E-13	92001-1499	E-4	92022-1561	E-14
41022-1244	E-11	43057-1001	F-5	49033-0016	C-7	56001-0137	F-8	92001-1499	E-7	92022-1561	E-5
41023-1144	E-11	43057-1001	F-7	49040-0027	C-8	56007-0093	G-11	92001-1829	C-3	92022-159	B-12
41023-1145	E-11	43078-0044	D-3	49047-1056	B-13	56008-0036	G-11	92001-1872	B-3	92022-1649	C-13
41025-1364-WA	E-11	43078-1189	F-6	49047-1057	B-13	56008-0037-MA	E-5	92002-1237	B-14	92022-1690	F-10
41025-1366-WA	E-11	43080-0048-GN	F-5	49054-1053	B-3	56019-120	G-11	92002-1323	F-4	92022-1781	C-13
41029-0004	E-11	43080-0069-GN	F-7	49063-1055	C-4	56030-0190	G-9	92002-1582	G-10	92022-1814	F-4
41029-0047	E-11	43082-0060	F-5	49065-1058	C-10	56030-0191	G-9	92002-1674	E-4	92022-1827	B-14
41029-0048	E-11	43082-0090	F-7	49078-1094	B-8	56033-0210	G-12	92002-1894	F-4	92022-1974	B-11
41032-0005	E-11	43095-0164	F-6	49078-1114	B-8	56033-0248	G-12	92004-0032	B-14	92022-1977	F-10
41032-0007	E-11	43095-0442	F-4	49085-1075	D-3	56053-0298	G-12	92004-0050	B-3	92022-198	B-12
41034-0044	E-13	43095-0451	F-6	49091-0001	F-4	56069-0921	G-13	92005-0107	B-3	92022-1993	B-11
41034-0051	E-12	43095-0687	F-4	49091-0001	F-6	56069-0921	G-14	92005-1379	B-6	92022-252	B-12
41068-0062	E-12	43095-0691	F-6	49106-0089	B-7	56069-0922	G-13	92009-1134	F-8	92022-255	B-12
41068-0066	E-13	44008-0032-KX	F-9	49107-0062	B-7	56069-0922	G-14	92009-1164	F-12	92025-1451	B-12
41080-0116-CM	F-7	44013-0090-458	F-9	49116-1168	F-9	56069-0923	G-14	92009-1197	F-12	92026-0725	B-11
41080-0186-CM	F-5	44013-0092-458	F-9	49131-5396-27W	D-4	56069-0924	G-14	92009-1458	F-4	92026-079	B-12
41090-0041-WA	E-11	44018-1056	F-9	49131-5397-27W	D-4	56069-0925	G-14	92009-1596	F-6	92026-1217	B-14
41090-0042-WA	E-11	44023-0062	F-9	49131-5398-32T	D-4	56069-0926	G-14	92009-1605	G-7	92026-1450	C-13
410AA0800	E-13	44026-0103	F-9	49131-5399-32T	D-4	56069-0929	G-13	92009-1753	G-10	92027-1183	D-4
410AB0600	F-8	44028-1081	F-9	49131-5459-40C	D-4	56069-0930	G-13	92009-1844	D-4	92027-1183	E-9

'11-'12 KLX250 SBF/SCF

Numerical Parts Index

Part No.	Fig No.	Part No.	Fig No.	Part No.	Fig No.	Part No.	Fig No.	Part No.	Fig No.	Part No.	Fig No.
92027-162	G-7	92045-1347	C-3	92058-1070	E-13	92116-1069	E-3	92150-1978	E-13	92153-0936	F-9
92027-1651	G-6	92045-1348	C-3	92066-0002	B-3	92122-1153	E-5	92151-1131	C-4	92153-0950	D-4
92027-1670	E-5	92045-1414	C-3	92066-0143	C-3	92143-1148	B-14	92151-1135	B-9	92153-0950	G-3
92027-1885	C-4	92046-0034	C-4	92066-1211	B-6	92143-1156	E-6	92151-1154	B-9	92153-0950	G-5
92027-1920	G-6	92046-0042	C-4	92066-1397	C-4	92143-1196	E-9	92151-1199	C-14	92153-0967	G-10
92027-1958	E-12	92046-1128	E-6	92066-1404	C-4	92143-1263	C-3	92151-1233	C-3	92153-1283	C-8
92028-1581	F-9	92046-1148	C-4	92066-1411	C-4	92143-1331	G-10	92151-1234	C-3	92153-1342	C-5
92028-1822	B-12	92046-1162	E-7	92069-0024	G-8	92143-1353	G-6	92151-1423	B-5	92153-1343	B-4
92028-1823	B-12	92046-1192	E-7	92069-0037	G-6	92143-1459	F-10	92151-1930	C-14	92153-1344	B-3
92033-0079	F-6	92046-1228	E-7	92069-1084	G-7	92143-1959	B-11	92151-1930	C-5	92153-1345	B-3
92033-0080	F-9	92047-017	E-3	92070-0031	C-12	92143-1960	G-6	92151-1934	C-5	92153-1350	B-7
92033-029	B-10	92049-0069	E-7	92070-1209	C-12	92144-1685	E-8	92151-1937	B-3	92153-1351	C-5
92033-029	B-12	92049-0136	E-12	92070-1266	C-12	92144-1695	B-14	92151-1986	F-8	92153-1354	D-4
92033-1041	E-13	92049-1172	F-12	92071-0037	C-13	92144-1749	E-8	92152-0134	C-9	92153-1407	E-6
92033-1054	B-5	92049-1191	C-4	92071-0056	F-4	92144-1761	C-10	92152-0237	G-3	92153-1457	D-4
92033-1077	F-9	92049-1203	E-13	92071-1124	C-12	92144-1819	F-7	92152-0237	G-5	92153-1519	F-8
92033-1172	B-12	92049-1228	C-4	92072-0130-MA	F-11	92144-1847	F-5	92152-0427	E-9	92153-1560	D-4
92033-1186	F-6	92049-1254	E-7	92072-030	G-9	92145-0085	E-10	92152-0528	E-12	92153-1597	C-9
92033-1293	B-12	92049-1262	C-4	92072-1195	G-9	92145-0367	B-9	92152-0529	E-13	92153-1805	B-3
92033-1327	C-10	92049-1349	B-8	92072-1237	G-9	92145-0552	G-6	92152-0604	E-5	92153-1850	C-13
92037-1064	F-13	92049-1373	F-9	92072-1267	F-9	92145-0637	B-11	92152-0604	F-10	92153-1866	C-13
92037-1142	C-6	92049-1426	E-7	92072-1283	F-9	92145-0684	E-14	92152-0734	E-13	92153-1903	G-6
92037-1142	C-7	92049-1559	C-4	92072-1293	E-5	92150-1168	E-4	92152-0735	E-13	92153-1921	B-6
92037-1163	E-9	92049-1577	C-3	92072-1293	G-9	92150-1186	D-4	92152-0909	D-4	92153-1922	B-6
92037-1163	G-9	92055-0016	C-9	92072-1414	F-9	92150-1339	E-9	92152-0909	E-9	92154-0059	B-7
92037-147	B-6	92055-012	C-4	92075-1123	F-10	92150-1340	F-7	92152-1075	B-14	92154-0065	B-11
92037-1589	D-4	92055-0136	C-13	92075-1690	E-9	92150-1368	B-3	92152-1235	D-4	92154-0133	C-6
92037-1710	F-6	92055-0168	E-14	92075-1690	F-12	92150-1406	C-4	92152-1350	B-12	92154-0226	F-4
92037-1712	D-4	92055-0170	C-6	92075-209	D-4	92150-1435	E-5	92152-1357	B-12	92154-0226	F-6
92037-1860	B-6	92055-0170	C-7	92075-209	G-6	92150-1446	F-9	92152-1560	F-10	92154-0235	C-13
92037-1993	C-11	92055-0184	C-6	92075-277	G-6	92150-1451	F-4	92153-0003	E-5	92154-0412	E-10
92038-1057	B-10	92055-0184	C-7	92075-281	F-10	92150-1481	E-5	92153-0020	F-9	92154-0732	F-4
92042-007	B-3	92055-0185	C-8	92081-076	B-14	92150-1484	B-13	92153-0502	D-4	92154-0732	F-6
92042-007	C-10	92055-0195	B-4	92081-1129	B-14	92150-1506	E-5	92153-0502	E-9	92160-1162	G-7
92042-007	C-3	92055-0196	B-12	92081-1626	B-9	92150-1506	E-9	92153-0502	F-6	92160-1167	G-6
92043-0004	F-6	92055-055	B-5	92092-1062	F-3	92150-1506	F-11	92153-0503	B-6	92160-1254	F-10
92043-115	E-8	92055-074	C-10	92093-0101	B-6	92150-1552	B-3	92153-0503	D-4	92160-1303	E-9
92043-1416	F-5	92055-086	B-9	92093-0102	B-6	92150-1584	E-8	92153-0503	F-9	92160-1328	F-10
92043-1507	F-7	92055-091	C-4	92093-1342	F-9	92150-1642	E-4	92153-0503	G-3	92160-1396	E-5
92043-1508	F-7	92055-1146	C-4	92104-0004	G-11	92150-1650	B-9	92153-0503	G-5	92160-1449	F-5
92043-4009	B-3	92055-1156	F-9	92104-1064	G-11	92150-1689	G-9	92153-0503	G-6	92160-1523	B-3
92043-4009	B-5	92055-1251	F-6	92107-0019	G-11	92150-1692	F-7	92153-0578	B-7	92160-1565	E-5
92045-036	C-3	92055-1255	B-3	92110-0049	G-11	92150-1708	C-11	92153-0640	G-6	92160-1615	G-6
92045-1041	C-3	92055-1276	C-13	92110-0057	G-11	92150-1711	E-7	92153-0650	B-9	92160-1866	C-5
92045-1236	B-11	92055-1333	F-9	92110-0062	G-11	92150-1803	C-3	92153-0651	B-3	92161-0462	C-9
92045-1239	E-13	92055-1370	C-13	92110-0063	G-11	92150-1811	F-5	92153-0684	G-7	92161-0499	B-6
92045-1246	C-4	92055-1502	F-9	92110-0064	G-11	92150-1811	F-7	92153-0695	C-10	92161-0605	G-3
92045-1287	C-3	92055-1577	C-10	92110-0065	G-11	92150-1812	E-7	92153-0695	C-5	92161-0605	G-5
92045-1288	C-3	92057-1367	E-13	92111-0008	G-11	92150-1874	C-3	92153-0936	B-6	92161-0631	G-7
92045-1346	C-3	92057-1416	B-9	92112-0007	G-11	92150-1875	C-3	92153-0936	D-4	92161-0685	C-9

'11-'12 KLX250 SBF/SCF**Part Name Index**

Air Cleaner	B-6	Radiator(1/2)	D-3
Brake Pedal	E-14	Rear Brake	F-7
Cables	F-13	Rear Hub	E-13
Camshaft(s)/Tensioner	B-9	Rear Master Cylinder	F-6
Chassis Electrical Equipment	G-9	Seat	F-11
Clutch	B-11	Shock Absorber(s)	F-3
Crankcase	C-3	Side Covers/Chain Cover(1/2)(SBF)	F-14
Crankshaft	B-10	Side Covers/Chain Cover(1/2)(SCF)	G-4
Cylinder Head	B-3	Side Covers/Chain Cover(2/2)(SBF)	G-3
Cylinder Head Cover	B-4	Side Covers/Chain Cover(2/2)(SCF)	G-5
Cylinder/Piston(s)	B-5	Stand(s)	E-10
Decals(Green)(SBF)	G-14	Starter Motor	C-13
Decals(Green)(SCF)	H-4	Suspension	E-7
Decals(Red)(SCF)	H-3	Swingarm	E-6
Decals(White)(SBF)	G-13	Taillight(s)	G-7
Engine Cover(s)(1/2)	C-4	Throttle(SBF)	C-6
Engine Mount	E-4	Throttle(SCF)	C-7
Fenders	E-9	Tires	E-11
Footrests	E-8	Transmission	B-12
Frame	E-3	Turn Signals	G-8
Frame Fittings	E-5	Valve(s)	B-8
Front Brake	F-5	Water Pump	C-14
Front Fork	F-9		
Front Hub	E-12		
Front Master Cylinder	F-4		
Fuel Injection	C-9		
Fuel Pump	C-8		
Fuel Tank	F-10		
Gear Change Drum/Shift Fork(s)	B-13		
Gear Change Mechanism	B-14		
Generator	C-11		
Handlebar	F-8		
Headlight(s)	G-6		
Ignition Switch	G-10		
Ignition System	C-12		
Labels	G-12		
Meter(s)	F-12		
Muffler(s)	B-7		
Oil Pump	C-10		
Owner's Tools	G-11		

'11-'12 KLX250 SBF/SCF(ML)