

COLOR PARTS INDEX FOR " Mio 100 "







UPDATE : 11/8/2015

2012.04

2012.04

2012.04

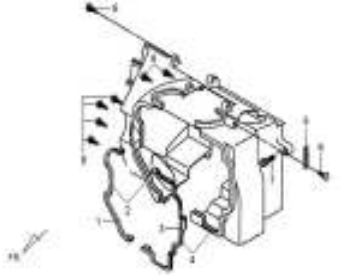
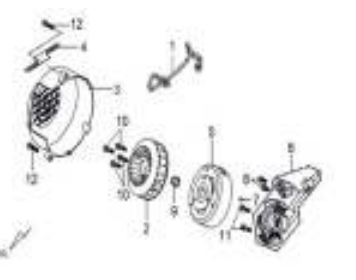
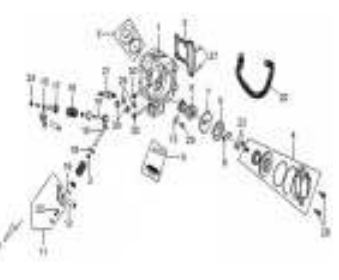
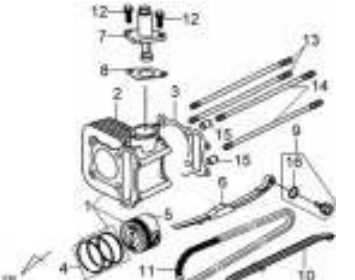
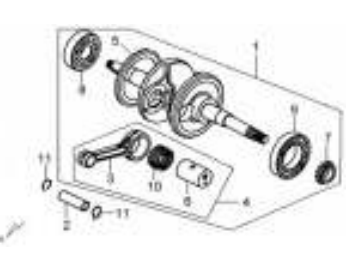

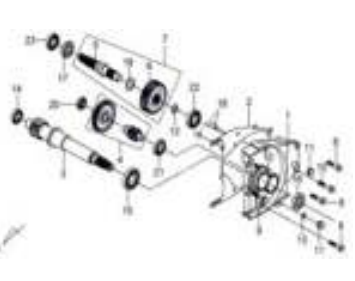
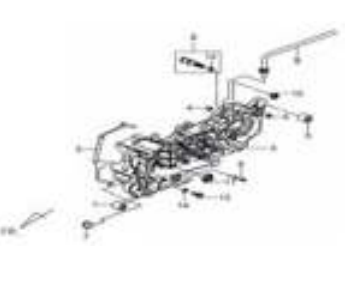
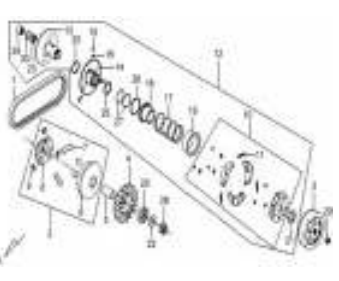
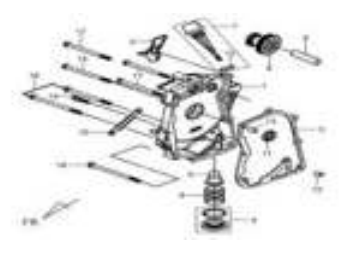
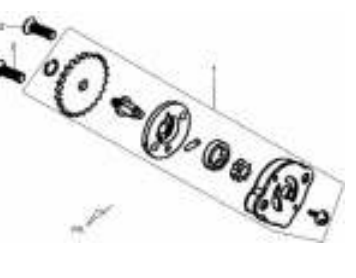
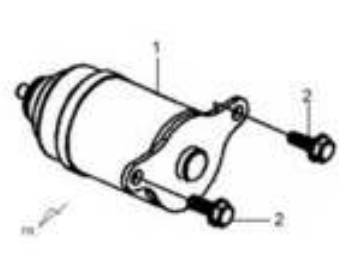
2012.04

| | | | 2012.04 | | 2012.04 | | 2012.04 | | 2012.04 | | | | | | |
|---|---|---|---|---|---|----------------|-------------|----------------|-------------|------|----|----|----|----|----|
| N | MODEL | HU10W-MC | HU10W-MC | | HU10W-MC | | HU10W-MC | | HU10W-MC | | | | | | |
| BASIC COLOR | | BLACK/WHITE | BROWN/WHITE | | RED/WHITE | | PINK/WHITE | | | | | | | | |
| O | CODE | BK-0406S/WH-011S | BKW | BR-7529S/WH-011S | BW | R-200C/WH-011S | RW | R-203S/WH-011S | PKW | | | | | | |
| Item | Parts Number | Description | Basic Color | Code | Basic Color | Code | Basic Color | Code | Basic Color | Code | | | | | |
| 1 | 42610-GY6-920 | RR. HUB COMP. | S-877C | SH | S-877C | SH | S-877C | SH | S-877C | SH | | | | | |
| 2 | 44601-F02-000 | FR. HUB COMP | S-877C | SH | S-877C | SH | S-877C | SH | S-877C | SH | | | | | |
| 3 | 50326-A7A-000 | BATTERY COVER | BK-001U | KA | BK-001U | KA | BK-001U | KA | BK-001U | KA | | | | | |
| 4 | 50612-F02-010 | CAP A FLR STEP | BK-001U | KA | BK-001U | KA | BK-001U | KA | BK-001U | KA | | | | | |
| 5 | 64320-A7B-000 | FLOOR MAT | BK-001U | KA | BK-001U | KA | BK-001U | KA | BK-001U | KA | | | | | |
| 6 | 61100-A7A-000 | FR FENDER A | BK-0406S | KV | WH-011S | QA | WH-011S | QA | WH-011S | QA | | | | | |
| 7 | 61101-A7A-000 | FR FENDER B | V | | V | | V | | V | | | | | | |
| 8 | 5320G-A7E-000 | FR HANDLE COVER ASSY | BK-0406S | KV | WH-011S | QA | WH-011S | QA | WH-011S | QA | | | | | |
| 8-1 | 87121-A7D-000 | SYM MARK (40 STRIPE) | TYPE1 | T1 | TYPE2 | T2 | TYPE2 | T2 | TYPE2 | T2 | | | | | |
| 9 | 53206-A7A-000 | RR HANDLE COVER | BK-001U | KA | BK-001U | KA | BK-001U | KA | BK-001U | KA | | | | | |
| 10 | 6430G-A7C-000 | FR COVER ASSY | BK-0406S | KV | WH-011S | QA | WH-011S | QA | WH-011S | QA | | | | | |
| 10-1 | 87123-TFA-000 | S LOGO (30 POLY) | V | | V | | V | | V | | | | | | |
| 10-2 | 87124-HAD-000 | FR. COVER EMBLEM | V | | V | | V | | V | | | | | | |
| 11 | 6430G-A8A-600 | FR. SPOILER ASSY | WH-011S | QA | BR-7529S | AI | R-200C | VI | R-203S | VJ | | | | | |
| 11-1 | 87124-A8A-600 | FR.SPOILER STRIPE | V | | V | | V | | V | | | | | | |
| 12 | 64318-H6B-010 | FRAME NUMBER LID | BK-001U | KA | BK-001U | KA | BK-001U | KA | BK-001U | KA | | | | | |
| 13 | 64310-A7A-000 | FLOOR PANEL | BK-001U | KA | BK-001U | KA | BK-001U | KA | BK-001U | KA | | | | | |
| 14 | 77200-A7A-000 | DOUBLE SEAT COMP | | T5 | | T6 | | T6 | | T6 | | | | | |
| 15 | 80151-A7A-000 | CENTER COVER | BK-001U | KA | BK-001U | KA | BK-001U | KA | BK-001U | KA | | | | | |
| 16 | 8010A-A8D-000 | RR FENDER ASSY | BK-001U | KA | BK-001U | KA | BK-001U | KA | BK-001U | KA | | | | | |
| 17 | 81132-M7Q-000 | HOOK LUGGAGE | BK-001U | KA | BK-001U | KA | BK-001U | KA | BK-001U | KA | | | | | |
| 18 | 81131-A7A-000 | FR INNER COVER | BK-001U | KA | BK-001U | KA | BK-001U | KA | BK-001U | KA | | | | | |
| 19 | 8120A-A8D-900 | RR GRIP ASSY. | MFCR3 | | MFCR3 | | MFCR3 | | MFCR3 | | | | | | |
| 20 | 64420-A7A-000 | FR L WINKER GARNISH | WH-011S | QA | BR-7529S | AI | R-200C | VI | R-203S | VJ | | | | | |
| 21 | 64410-A7A-000 | FR R WINKER GARNISH | WH-011S | QA | BR-7529S | AI | R-200C | VI | R-203S | VJ | | | | | |
| 22 | 81500-A7A-000 | TANK CAP COVER | BK-001U | KA | BK-001U | KA | BK-001U | KA | BK-001U | KA | | | | | |
| 23 | 8350G-A8A-600 | R BODY COVER ASSY. | BK-0406S | KV6 | BR-7529S | AI6 | R-200C | VI6 | R-203S | VJ6 | | | | | |
| 23-1 | 87128-A8A-600 | BODY COVER STRIPE | V | | V | | V | | V | | | | | | |
| 24 | 8360G-A8A-600 | L BODY COVER ASSY. | BK-0406S | KV6 | BR-7529S | AI6 | R-200C | VI6 | R-203S | VJ6 | | | | | |
| 24-1 | 87128-A8A-600 | BODY COVER STRIPE | V | | V | | V | | V | | | | | | |
| 25 | 83520-A7A-000 | R SIDE COVER | WH-011S | QA | BR-7529S | AI | R-200C | VI | R-203S | VJ | | | | | |
| 26 | 83620-A7A-000 | L SIDE COVER | WH-011S | QA | BR-7529S | AI | R-200C | VI | R-203S | VJ | | | | | |
| 27 | 37210-A7A-000 | METER COVER | MRCR2 | | MRCR2 | | MRCR2 | | MRCR2 | | | | | | |
| 28 | 83751-A7A-010 | RR CENTER COVER | BK-001U | KA | BK-001U | KA | BK-001U | KA | BK-001U | KA | | | | | |
| 29 | 53140-A7A-700 | THROT GRIP COMP | BK-001U | KA | BK-001U | KA | BK-001U | KA | BK-001U | KA | | | | | |
| 30 | 53166-TAA-700 | L HANDLE GRIP | BK-001U | KA | BK-001U | KA | BK-001U | KA | BK-001U | KA | | | | | |
| 8-1(BKW) | 8-1(BW/RW/PKW) | 10-1 | 10-2 | 21 | 22 | 23 | 23-1 | 24 | 24-1 | 25 | 26 | 27 | 28 | 29 | 30 |
|  |  |  |  |  |  | | | | | | | | | | |

PRICE SHOWN IS PER PIECE. Product image price are approximate guide only.
Prices shown are subject to change without prior notice.

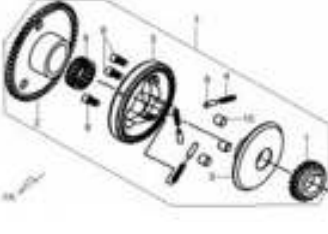
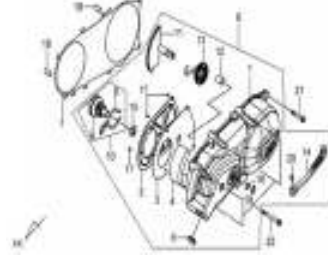
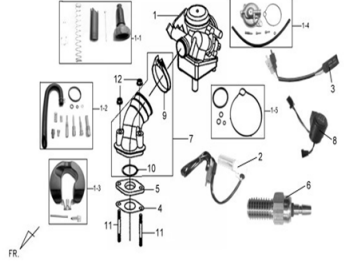
FRAME

CONTENTS—ENGINE GROUP

| | | |
|---|--|---|
| E01 SHROUD ASSY | E02 AC. GEN. ASSY COOLING FAN | E03 CYLINDER HEAD |
|  |  |  |
| E04 CYLINDER ASS'Y | E05 CRANK SHAFT COMP. | E06 R. CRANK CASE |
|  |  |  |
| E07 MISSION COVER DRIVE SHAFT | E08 L. CRANK CASE COMP. | E09 DRIVEN PULLEY MOV. DRIVE FACE |
|  |  |  |
| E10 R. CRANK CASE COVER | E11 OIL PUMP ASSY | E12 START MOTOR ASSY |
|  |  |  |

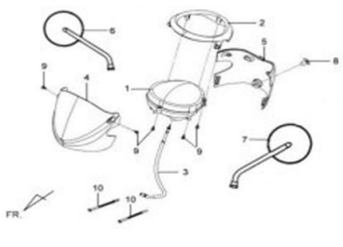
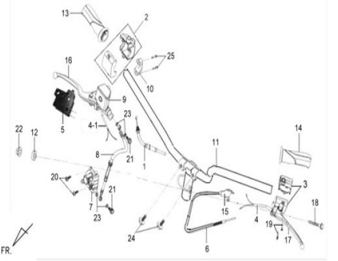
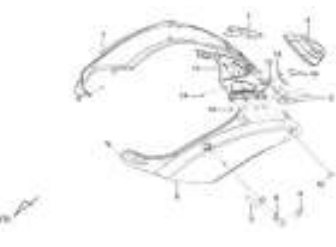
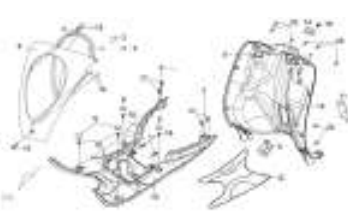
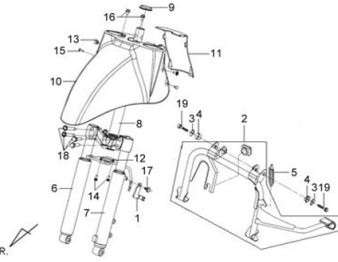
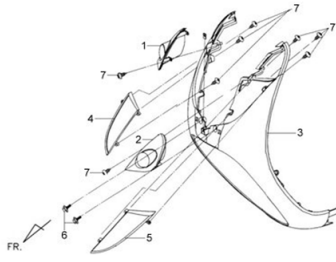
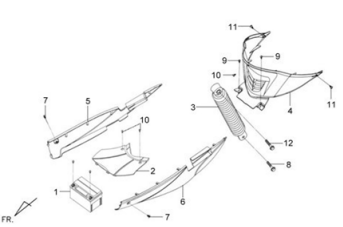
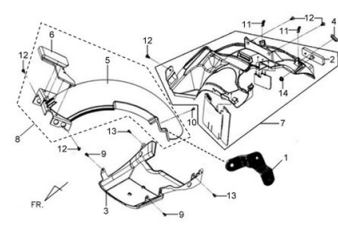
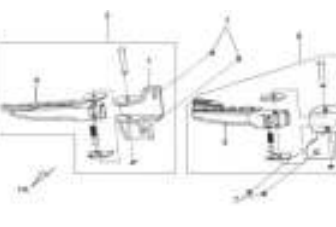

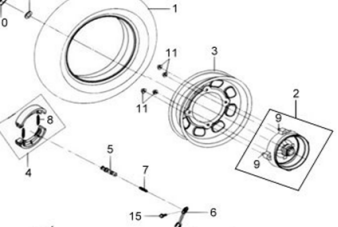
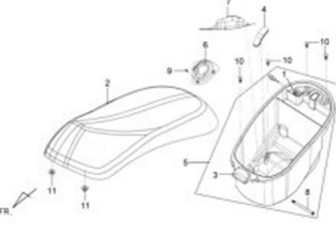
PRICE SHOWN IS PER PIECE. Product image price are approximate guide only.
Prices shown are subject to change without prior notice.

CONTENTS-ENGINE GROUP

| E13 STARTING CLUTCH OUTER ASSY | E14 L. CRANK CASE COVER | E15 CARBURETOR INLET PIPE ASSY |
|---|---|---|
|  |  |  |
| | | |
| | | |
| | | |
| | | |
| | | |
| | | |
| | | |

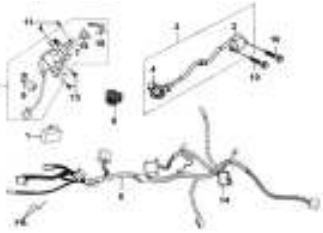
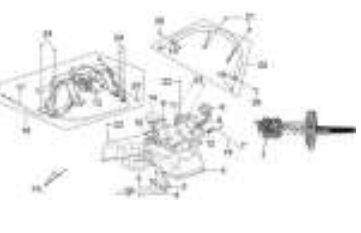
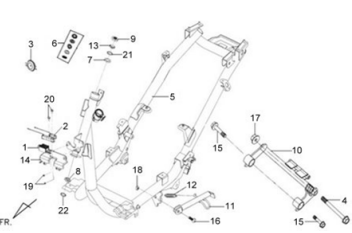
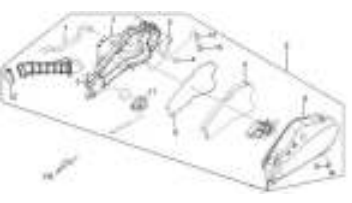
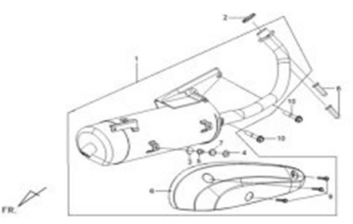
PRICE SHOWN IS PER PIECE. Product image price are approximate guide only.
 Prices shown are subject to change without prior notice.

CONTENTS-FRAME GROUP

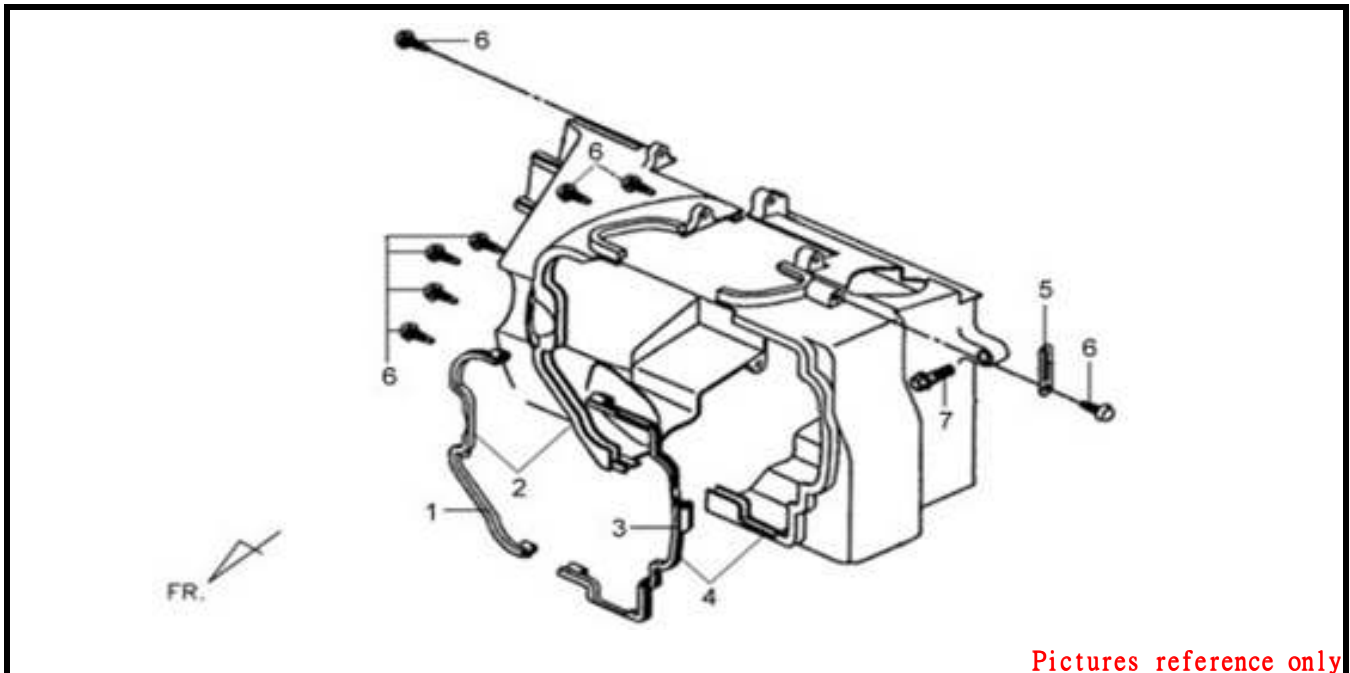
| | | |
|---|--|---|
| F01 HANDLE COVER BACK MIRROR | F02 STEERING HANDLE ASSY | F03 BODY COVER TAIL LIGHT |
|  |  |  |
| F04 FR COVER ASSY. HEAD LIGHT | F05 FR. FORK ASSY | F06 FR UNDER SPOILER FR R/L WINKER |
|  |  |  |
| F07 RR. CUSHION SIDE COVER | F08 RR. FENDER UNDER COVER | F09 R/L PILLION STEP |
|  |  |  |
| F10 FR WHEEL ASSY | F11 RR. WHEEL ASSY | F12 DOUBLE SEAT LUGGAGE BOX |
|  |  |  |

PRICE SHOWN IS PER PIECE. Product image price are approximate guide only.
Prices shown are subject to change without prior notice.

CONTENTS-FRAME GROUP

| F13 C.D.I. UNIT WIRE HARNESS | F14 FUEL TANK-RR. GRIP | F15 FRAME BODY ENGINE HANGER |
|---|--|---|
|  |  |  |
| F16 AIR CLEANER ASSY | F17 MUFFLER ASSY | |
|  |  | |
| | | |
| | | |
| | | |
| | | |

PRICE SHOWN IS PER PIECE. Product image price are approximate guide only.
Prices shown are subject to change without prior notice.

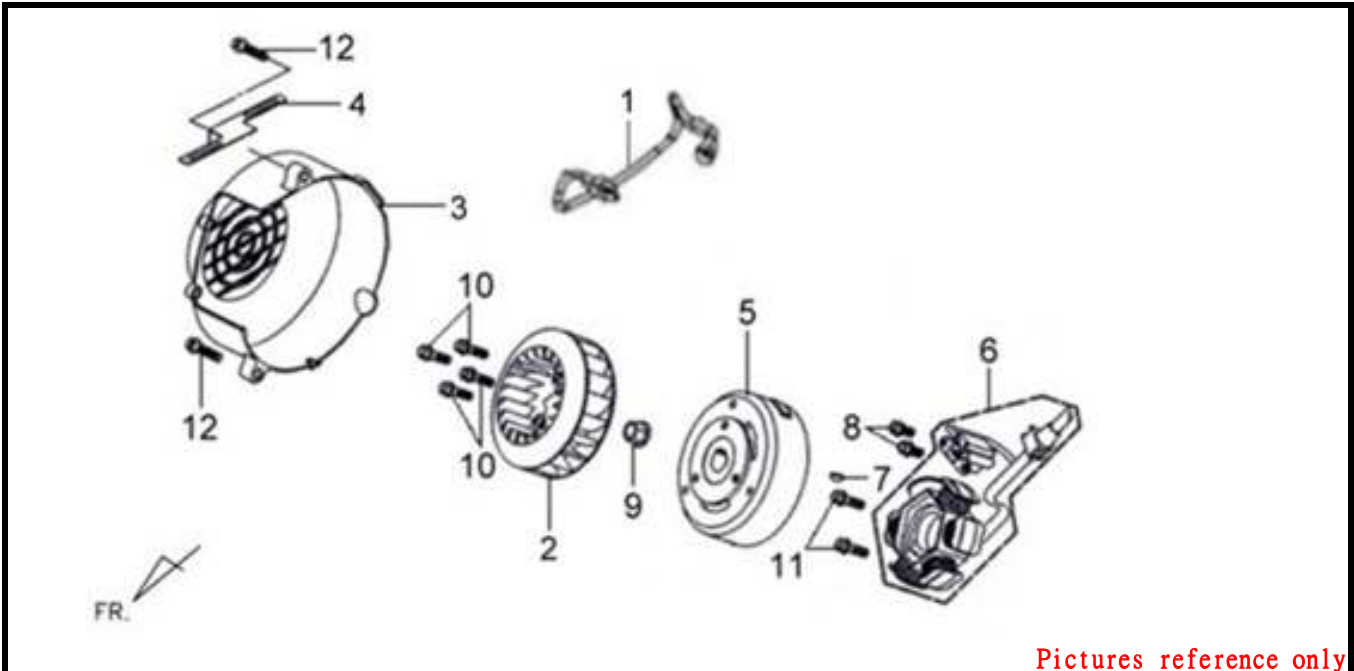


Pictures reference only

| PARTS NUMBER | SELLING PRICE (RM/PCS) | DESCRIPTION | QTY | EFFECTIVE DATE |
|------------------|------------------------|---------------------|-----|----------------|
| 1 19625-A31-000 | 9.60 | SHROUD A SEAL | 1 | |
| 2 1962A-A3M-000 | 20.90 | SHROUD A ASSY | 1 | |
| 3 19635-A31-000 | 10.20 | SHROUD B SEAL | 1 | |
| 4 1963A-A31-010 | 16.50 | SHROUD B ASSY | 1 | |
| 5 50130-X04-000 | 3.20 | CLIP 2X7 | 1 | |
| 6 93904-35380 | 0.80 | TAP SCREW 5X16 | 8 | |
| 7 96001-06020-00 | 0.70 | FLANGE BOLT SH 6X20 | 1 | |

※ Please check the color & stripe information according to the color index !

TEAMWORLD IND. 2012.04

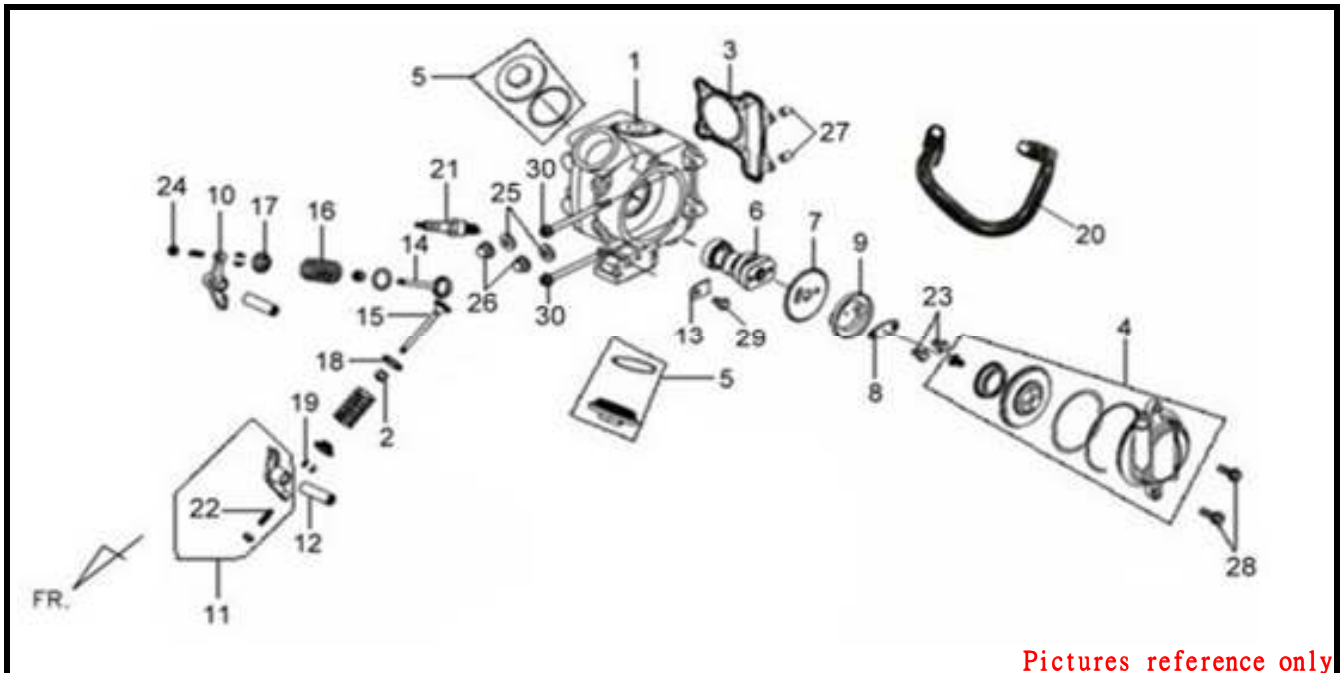


Pictures reference only

| PARTS NUMBER | SELLING PRICE (RM/PCS) | DESCRIPTION | QTY | EFFECTIVE DATE |
|-------------------|------------------------|---------------------------|-----|----------------|
| 1 18241-A5A-000 | 20.60 | EXH.MUFFLER PROTECTOR | 1 | |
| 2 19510-GW2-900 | 11.40 | COOLING FAN COMP | 1 | |
| 3 19610-A31-010 | 19.40 | FAN COVER COMP | 1 | |
| 4 19613-M9Q-000 | 6.90 | START. MOTOR CORD CLAMPER | 1 | |
| 5 31110-A31-600 | 120.00 | FLY WHEEL COMP | 1 | |
| 6 31120-A8D-000 | 137.10 | STATOR COMP | 1 | |
| 7 90741-M7Q-000 | 4.10 | WOODRUFF KEY | 1 | |
| 8 92101-05010-0H | 0.80 | HEX BOLT 5X10 | 2 | |
| 9 94050-10080 | 1.70 | FLANGE NUT 10MM | 1 | |
| 10 95701-06016-00 | 0.80 | FLANGE BOLT 6X16 | 4 | |
| 11 96001-06020-00 | 0.70 | FLANGE BOLT SH 6X20 | 2 | |
| 12 96001-06025-00 | 0.70 | FLANGE BOLT SH 6X25 | 2 | |

※ Please check the color & stripe information according to the color index !

TEAMWORLD IND. 2012.04



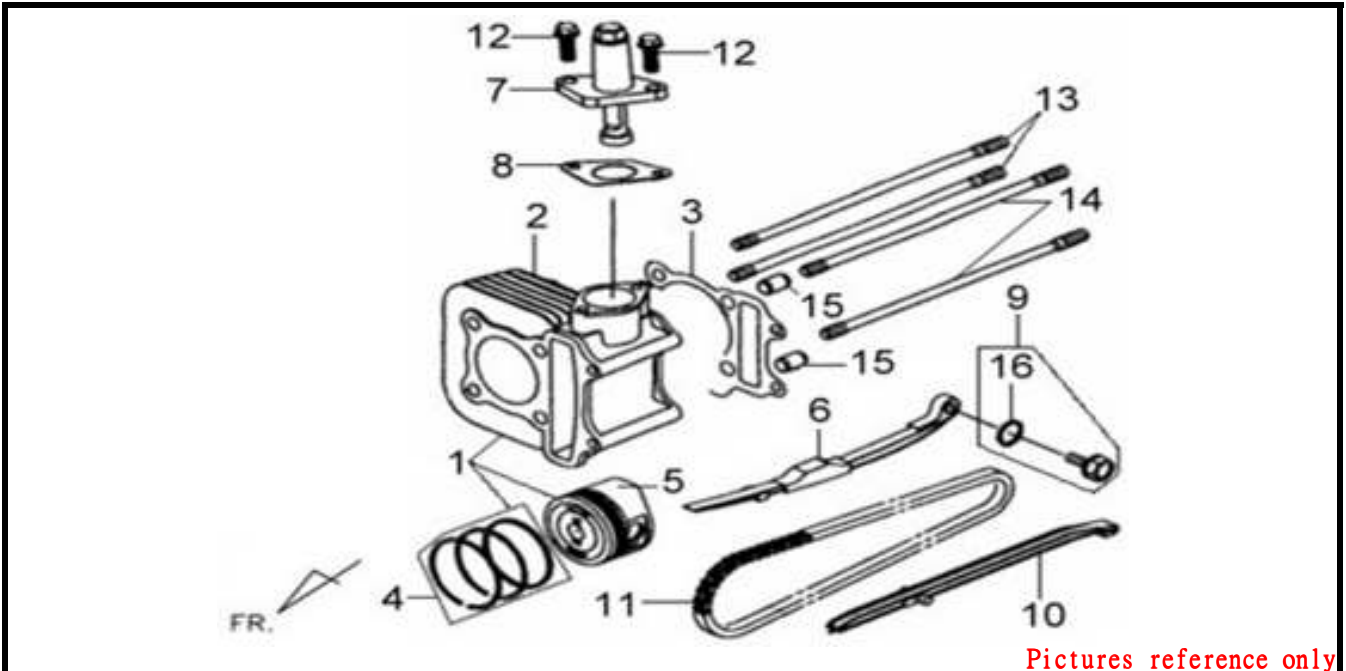
| PARTS NUMBER | SELLING PRICE (RM/PCS) | DESCRIPTION | QTY | EFFECTIVE DATE |
|--------------------|------------------------|-----------------------------|-----|----------------|
| 1 12200-A3G-010 | 445.60 | CYLINDER HEAD COMP | 1 | |
| 2 12209-H6B-900 | 6.90 | VALVE STEM SEAL | 2 | |
| 3 12251-A31-000 | 14.40 | CYLINDER HEAD GASKET | 1 | |
| 4 12300-A31-000 | 27.50 | CYL. HEAD L SIDE COV. ASSY | 1 | |
| 5 1236A-A31-000 | 10.90 | TAPPET ADJ. HOLE CAP ASSY | 2 | |
| 6 14100-A3G-000 | 148.20 | CAM SHAFT COMP | 1 | |
| 7 14105-A31-000 | 16.90 | CAM SPROCKET | 1 | |
| 8 14105-X01-000 | 2.80 | CAM SPROCKET WASHER | 1 | |
| 9 14108-M36-000 | 2.80 | CENTRIFUGAL DISK | 1 | |
| 10 14431-A3G-000 | 51.40 | IN. VALVE ROCKER ARM | 2 | |
| 11 1443A-A3G-000 | 61.70 | VALVE ROCKER ARM ASSY. | 2 | |
| 12 14451-A3G-000 | 8.20 | ROCKER ARM SHAFT | 2 | |
| 13 14457-A3G-000 | 1.70 | CAM SHAFT SETTING PLATE | 1 | |
| 14 14711-A3G-000 | 27.50 | INLET VALVE | 1 | |
| 15 14721-A3G-000 | 44.60 | EXHAUST VALVE | 1 | |
| 16 14751-A3G-000 | 4.10 | VALVE SPRING | 2 | |
| 17 14771-GB4-680 | 9.90 | VALVE SPRING RETAINER | 2 | |
| 18 14775-M9Q-000 | 0.80 | SETA OUTER VALVE SPRING | 2 | |
| 19 14781-M9Q-000-A | 9.80 | VALVE COTTER SET(1SET/4PCS) | 1 | |
| 20 15514-A31-000 | 32.50 | AIR PIPE COMP | 1 | |
| 21 1PCR6HSA-3 | 17.00 | PLUG CR6HSA | 1 | |
| 22 90012-M9Q-000 | 4.10 | TAPPET ADJUSTING SCREW | 2 | |
| 23 90083-X01-000 | 0.80 | LOCK BOLT 6MM | 2 | |
| 24 90206-HLK-000 | 3.30 | TAPPET ADJUSTING NUT | 1 | |

PRICE SHOWN IS PER PIECE. Product image price are approximate guide only.
Prices shown are subject to change without prior notice.

| | | | | | |
|----|----------------|------|---------------------|---|--|
| 25 | 90442-028-000 | 1.30 | SEALING WASHER 8MM | 2 | |
| 26 | 90443-M36-000 | 1.10 | CAP NUT 8MM | 2 | |
| 27 | 90703-M8Q-000 | 1.00 | DOWEL PIN 10X14 | 2 | |
| 28 | 95801-06020-00 | 0.70 | FLANGE BOLT 6X20 | 2 | |
| 29 | 96001-06012-00 | 0.80 | FLANGE BOLT SH 6X12 | 1 | |
| 30 | 96001-06090-00 | 1.30 | FLANGE SH BOLT 6X90 | 2 | |

※ Please check the color & stripe information according to the color index !

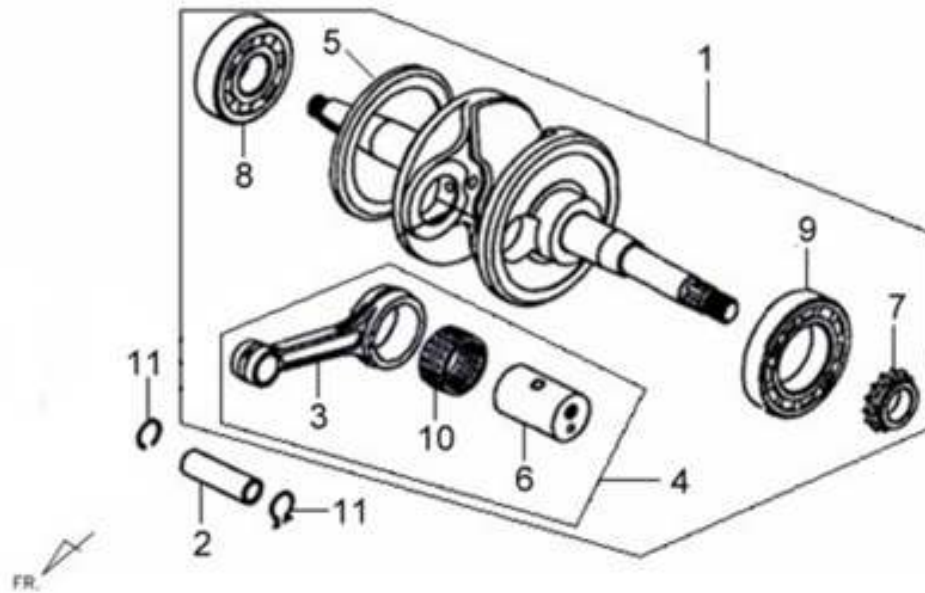
 TEAMWORLD IND. 2012.04



| PARTS NUMBER | SELLING PRICE (RM/PCS) | DESCRIPTION | QTY | EFFECTIVE DATE |
|--------------------|------------------------|----------------------------------|-----|----------------|
| 1 12100-A3A-000-A | 432.00 | CYLINDER SET | 1 | |
| 2 12101-A3A-000 | 304.50 | CYLINDER COMP. | 1 | |
| 3 12191-A31-900 | 3.30 | CYLINDER GASKET | 1 | |
| 4 13010-A3A-000 | 46.30 | PISTON RING SET | 1 | |
| 5 13101-A3G-000 | 49.80 | PISTON | 1 | |
| 6 14510-A31-000 | 34.40 | CAM CHAIN TENSIONER | 1 | |
| 7 14520-H6T-000 | 44.60 | TENSIONER LIFTER | 1 | |
| 8 14523-M9Q-000 | 1.70 | TENSIONER LIFTER GASKET | 1 | |
| 9 1453A-V02-000 | 6.90 | CAM CHAIN TNSR.PIVOT ASSY(0001) | 1 | |
| 10 14610-A31-000 | 18.90 | CAM CHAIN GUIDE COMP | 1 | |
| 11 1C14401-A31-000 | 70.90 | CAM CHAIN(D.I.D)(95S-0404-SVX86) | 1 | |
| 12 90001-M9Q-000 | 0.80 | FLANGE SHF BOLT 6X22 | 1 | |
| 13 90031-M9Q-000 | 5.80 | B STUD BOLT 8*195.5 | 2 | |
| 14 90032-M36-000 | 7.00 | CYLINDER STUD BOLT B | 2 | |
| 15 90703-M8Q-000 | 1.00 | DOWEL PIN 10X14 | 2 | |
| 16 91304-M9Q-000 | 2.50 | O-RING 15.2*1.5 | 2 | |

※ Please check the color & stripe information according to the color index !

TEAMWORLD IND. 2012.04

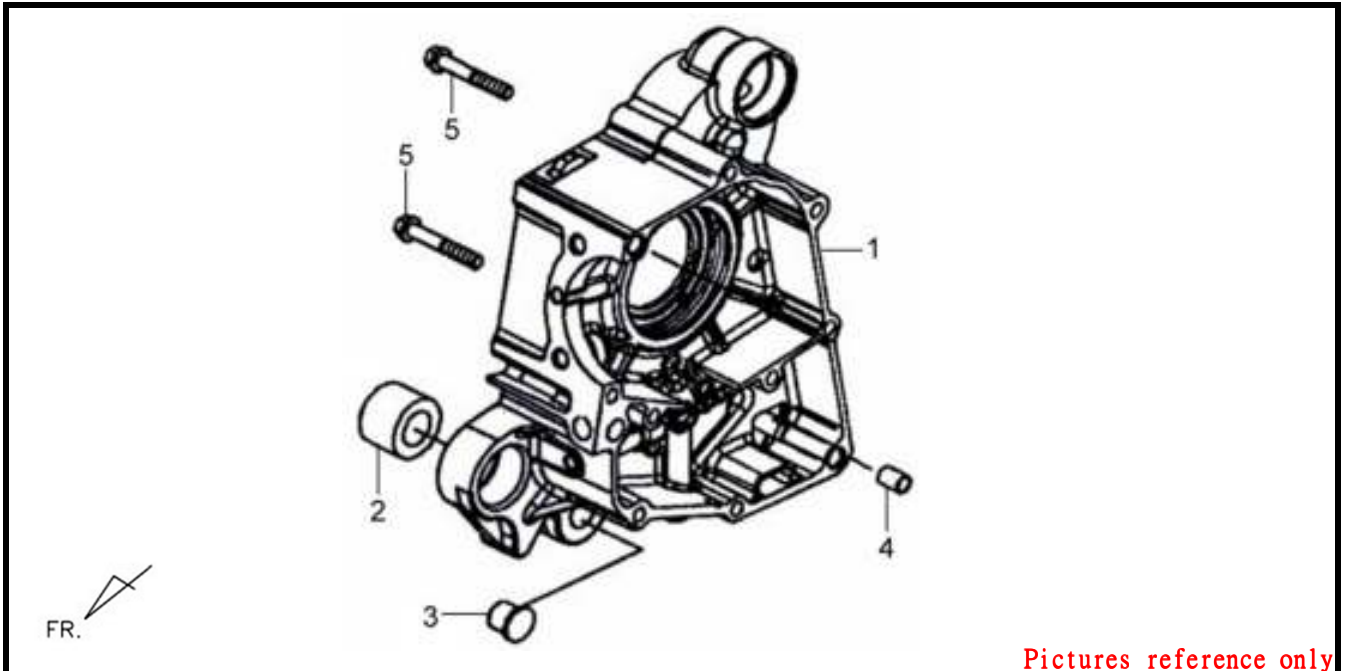


Pictures reference only

| PARTS NUMBER | SELLING PRICE (RM/PCS) | DESCRIPTION | QTY | EFFECTIVE DATE |
|------------------|------------------------|----------------------------|-----|----------------|
| 1 13000-A5A-000 | 442.30 | CRANK SHAFT COMP | 1 | |
| 2 13111-A31-000 | 9.60 | PISTON PIN | 1 | |
| 3 13201-A31-000 | 92.50 | CONNECTING ROD | 1 | |
| 4 1320A-A31-000 | 195.40 | CONNECTING ROD ASSY. | 1 | |
| 5 13371-A31-300 | 2.80 | R. CRANK SIDE PLATE | 1 | |
| 6 13380-A31-300 | 27.50 | CRANK PIN COMP | 1 | |
| 7 14311-M9Q-300 | 20.80 | TIMING SPROCKET | 1 | |
| 8 91001-A3G-000 | 24.00 | RADIAL BALL BRG.6304JR2CS1 | 1 | |
| 9 91002-M8Q-000 | 60.00 | RADIAL BALL BRG.63/22 | 1 | |
| 10 91002-X01-000 | 48.10 | BIG.END.BEAR PK-25X30X15 | 1 | |
| 11 94601-13000 | 1.00 | PISTON PIN CLIP 13MM | 2 | |

※ Please check the color & stripe information according to the color index !

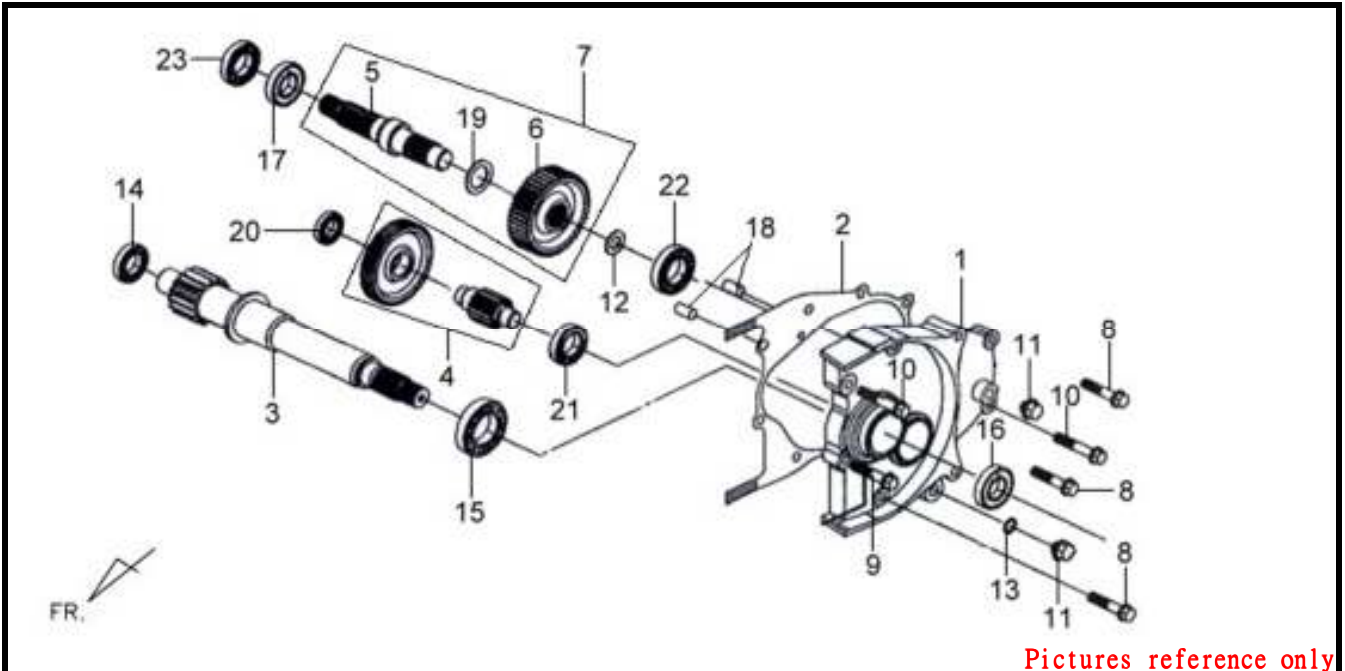
TEAMWORLD IND. 2012.04



| PARTS NUMBER | SELLING PRICE (RM/PCS) | DESCRIPTION | QTY | EFFECTIVE DATE |
|------------------|------------------------|--------------------------|-----|----------------|
| 1 11100-A3K-000 | 228.00 | R. CRANK CASE COMP | 1 | |
| 2 11203-GC7-300 | 3.80 | RR. CUSH UND BUSH RUBBER | 2 | |
| 3 11205-A5A-002 | 11.90 | MAIN STAND BUSH | 1 | |
| 4 94301-08140 | 1.00 | DOWEL PIN 8X14 | 1 | |
| 5 96001-06050-00 | 0.80 | FLANGE BOLT SH 6X50 | 2 | |

※ Please check the color & stripe information according to the color index !

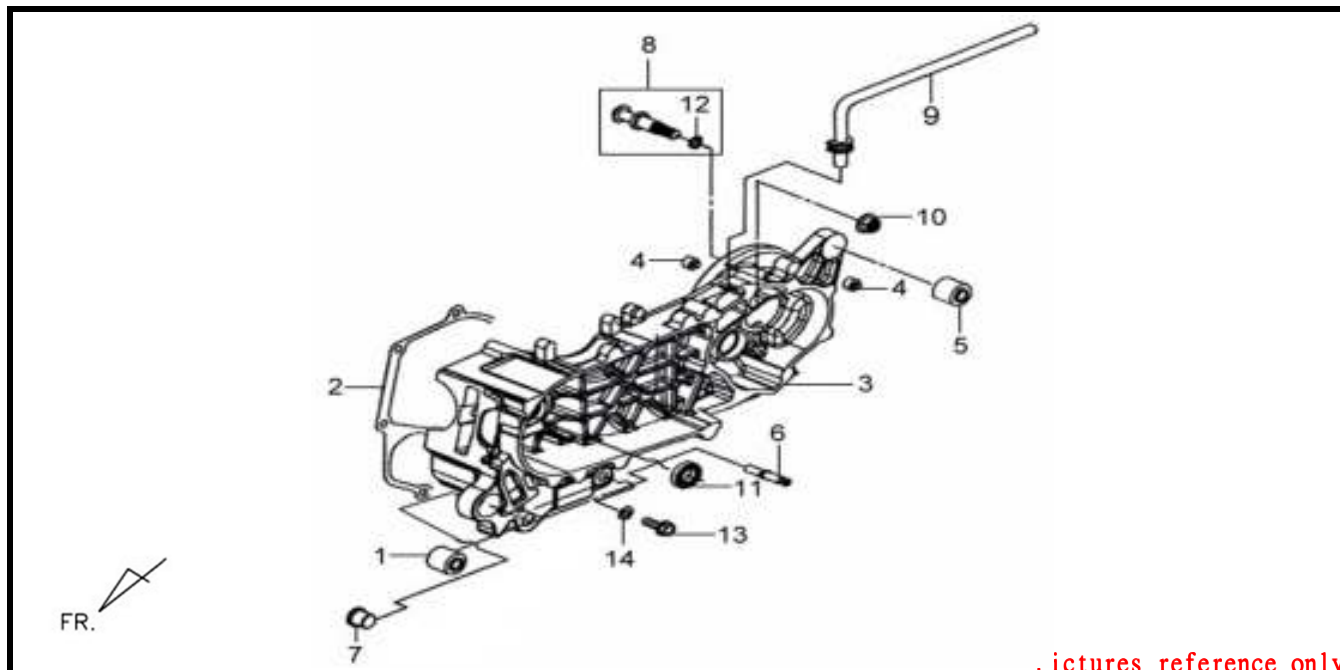
 TEAMWORLD IND. 2012.04



| PARTS NUMBER | SELLING PRICE (RM/PCS) | DESCRIPTION | QTY | EFFECTIVE DATE |
|-------------------|------------------------|----------------------------|-----|----------------|
| 1 21301-A3K-000 | 56.60 | MISSION COVER | 1 | |
| 2 21395-A31-000 | 7.90 | MISSION COVER GASKET | 1 | |
| 3 23411-A3G-001 | 78.80 | DRIVE SHAFT(14T) | 1 | |
| 4 23420-A3G-001 | 99.40 | COUNTER SHAFT COMP.(44T) | 1 | |
| 5 23431-M9Q-000 | 51.50 | FINAL SHAFT | 1 | |
| 6 23432-H6T-000 | 92.50 | FINAL GEAR | 1 | |
| 7 2343A-A8A-000 | 113.10 | FINAL SHAFT COMP | 1 | |
| 8 90001-M8Q-000 | 1.70 | FLANGE SHF BOLT 6X28 | 3 | |
| 9 90001-M9Q-000 | 0.80 | FLANGE SHF BOLT 6X22 | 1 | |
| 10 90003-M9Q-000 | 1.70 | FLANGE SHF BOLT 6*35 | 2 | |
| 11 90103-KN8-000 | 1.00 | SPECIAL BOLT 8MM | 2 | |
| 12 90429-A31-000 | 6.00 | SIDE WASHER 17.5MM | 1 | |
| 13 90474-M9Q-000 | 0.40 | WASHER 8X16 | 2 | |
| 14 91003-M8Q-000 | 34.40 | RADIAL BALL BRG.CSB301JR2 | 1 | |
| 15 91104-KN7-670 | 54.80 | RADIAL BALL BRG CSB204JR2 | 1 | |
| 16 91202-KJ9-003 | 2.80 | OIL SEAL 20X32X6 | 1 | |
| 17 91255-GE0-003 | 3.10 | OIL SEAL 27X42X7 | 1 | |
| 18 94301-08140 | 1.00 | DOWEL PIN 8X14 | 2 | |
| 19 94510-20000 | 1.00 | EX. CIR CLIP 20MM | 1 | |
| 20 96100-60020-00 | 11.30 | RADIAL BALL BRG.6002T | 1 | |
| 21 96100-62020-00 | 9.30 | RAD.BRG.BALL 6202T | 1 | |
| 22 96100-62030-00 | 9.70 | RAD.BALL BRG 6203T | 1 | |
| 23 96150-60043-10 | 24.00 | RADIAL BALL BEARING6004LLU | 1 | |

※ Please check the color & stripe information according to the color index !

PRICE SHOWN IS PER PIECE. Product image price are approximate guide only.
Prices shown are subject to change without prior notice.

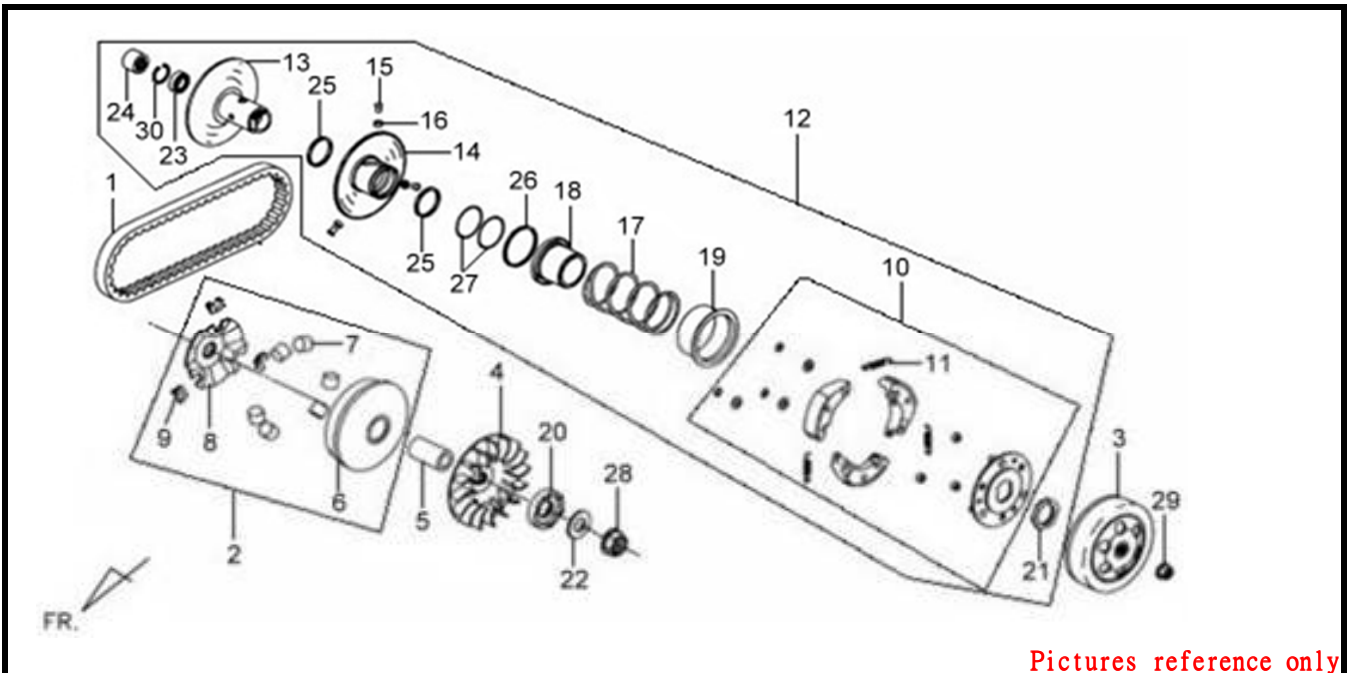


.ictures reference only

| PARTS NUMBER | SELLING PRICE (RM/PCS) | DESCRIPTION | QTY | EFFECTIVE DATE |
|---------------------|------------------------|---------------------------|-----|----------------|
| 1 11102-M9Q-300 | 6.90 | ENG. HANGER RUB. BUSH | 1 | |
| 2 11192-A3F-000 | 3.50 | CRANK CASE GASKET | 1 | |
| 3 11200-A8C-000 | 342.70 | L CRANK CASE COMP(JAPAN) | 1 | |
| 4 11202-M92-000 | 1.90 | GUIDE RUBBER SPG | 2 | |
| 5 11203-GC7-300 | 3.80 | RR. CUSH UND BUSH RUBBER | 1 | |
| 6 11204-A3F-300 | 5.80 | PIN SPR. HOOK | 1 | |
| 7 11205-A5A-002 | 11.90 | MAIN STAND BUSH | 1 | |
| 8 1120A-V01-000 | 10.70 | BRK. SHOE ANCHOR PIN ASSY | 1 | |
| 9 11221-M9Q-000 | 7.20 | MISSION BREATHER TUBE | 1 | |
| 10 90309-M9Q-000 | 3.10 | NUT FLANGE 8MM-12 | 1 | |
| 11 91201-M9Q-300-M1 | 10.90 | OIL SEAL 19.8X30X5R | 1 | |
| 12 91303-M9Q-000 | 0.80 | O-RING 7.5X1.5 | 1 | |
| 13 92800-12000 | 2.60 | DRAIN PLUG BOLT 12MM | 1 | |
| 14 94109-12000 | 1.00 | DRAIN PLUG WASHER 12MM | 1 | |

※ Please check the color & stripe information according to the color index !

TEAMWORLD IND. 2012.04



Pictures reference only

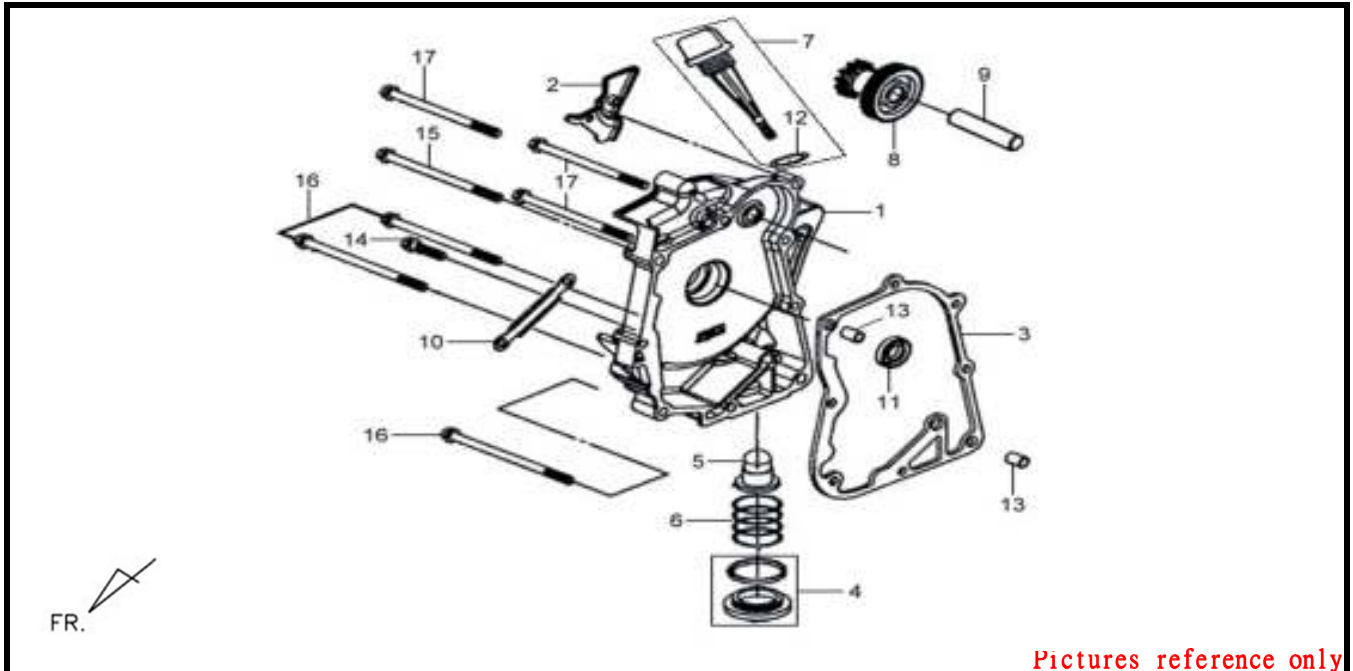
| PARTS NUMBER | SELLING PRICE (RM/PCS) | DESCRIPTION | QTY | EFFECTIVE DATE |
|---------------------|------------------------|----------------------------------|-----|----------------|
| 1 1B01A3G01 | 96.00 | DRIVE BELT 714X18.5X28 | 1 | |
| 2 22000-A5A-000 | 117.20 | MOVABLE DRIVE FACE ASSY. | 1 | |
| 3 22100-A31-000 | 85.70 | CLUTCH OUTER COMP. | 1 | |
| 4 22102-A31-310 | 29.10 | DRIVE FACE | 1 | |
| 5 22105-A3G-000 | 20.60 | DRIVE FACE BOSS | 3 | |
| 6 22110-A3G-000 | 47.90 | MOVABLE DRIVE FACE COMP | 1 | |
| 7 22121-A1A-000-A | 20.90 | WEIGHT ROLLER SET 6.3g(6pcs/set) | 3 | |
| 8 22131-A3G-000 | 12.10 | RAMP PLATE | 3 | |
| 9 22132-A5C-000-A | 8.60 | SLIDE PIECE SET(3pcs/set) | 1 | |
| 10 22300-A3L-000 | 113.10 | WEIGHT SET | 1 | |
| 11 22401-A3G-000 | 3.30 | CLUTCH SPRING | 3 | |
| 12 23010-A3L-000 | 336.00 | DRIVEN PULLEY ASSY | 1 | |
| 13 23210-A3G-000 | 96.00 | DRIVE FACE COMP | 1 | |
| 14 23220-A3G-000 | 96.00 | MOVABLE DRIVEN FACE COMP | 1 | |
| 15 23225-GW3-000 | 1.30 | ROLLER GUIDE PIN | 3 | |
| 16 23226-GW3-000 | 1.30 | ROLLER GUIDE | 3 | |
| 17 23233-GW3-010 | 12.70 | DRIVER FACE SPING | 1 | |
| 18 23237-A3G-000 | 10.20 | SEAL COLLAR | 1 | |
| 19 23239-ADB-000 | 5.80 | SPRING COLLAR | 1 | |
| 20 28211-A5U-000 | 14.40 | KICK STARTER RATCHE | 1 | |
| 21 90202-M9Q-000 | 3.30 | SPECIAL NUT 28MM | 1 | |
| 22 90426-M7Q-000 | 3.80 | SPECIAL WASHER 12MM | 1 | |
| 23 91001-GA7-701 | 29.10 | RADIAL BALL BRG.6901TUC3/4 | 1 | |
| 24 91001-GY6-900-M1 | 26.50 | NDL BRG. 20X29X18 | 1 | |

PRICE SHOWN IS PER PIECE. Product image price are approximate guide only.
 Prices shown are subject to change without prior notice.

| | | | | | | |
|----|----------------|------|--------------------------|---|--|--|
| 25 | 91211-GK8-003 | 3.10 | SEAL DRIVRN FACE 34X39X3 | 2 | | |
| 26 | 91302-A3A-000 | 1.70 | O-RING 39.8X2.2(C II) | 1 | | |
| 27 | 91351-642-000 | 2.00 | O-RING 36*1.5 | 2 | | |
| 28 | 94001-12200-0S | 2.00 | HEX NUT 12MM | 1 | | |
| 29 | 94050-10080 | 1.70 | FLANGE NUT 10MM | 1 | | |
| 30 | 94520-24000 | 1.30 | IN.CIR-CLIP 24MM | 1 | | |

※ Please check the color & stripe information according to the color index !

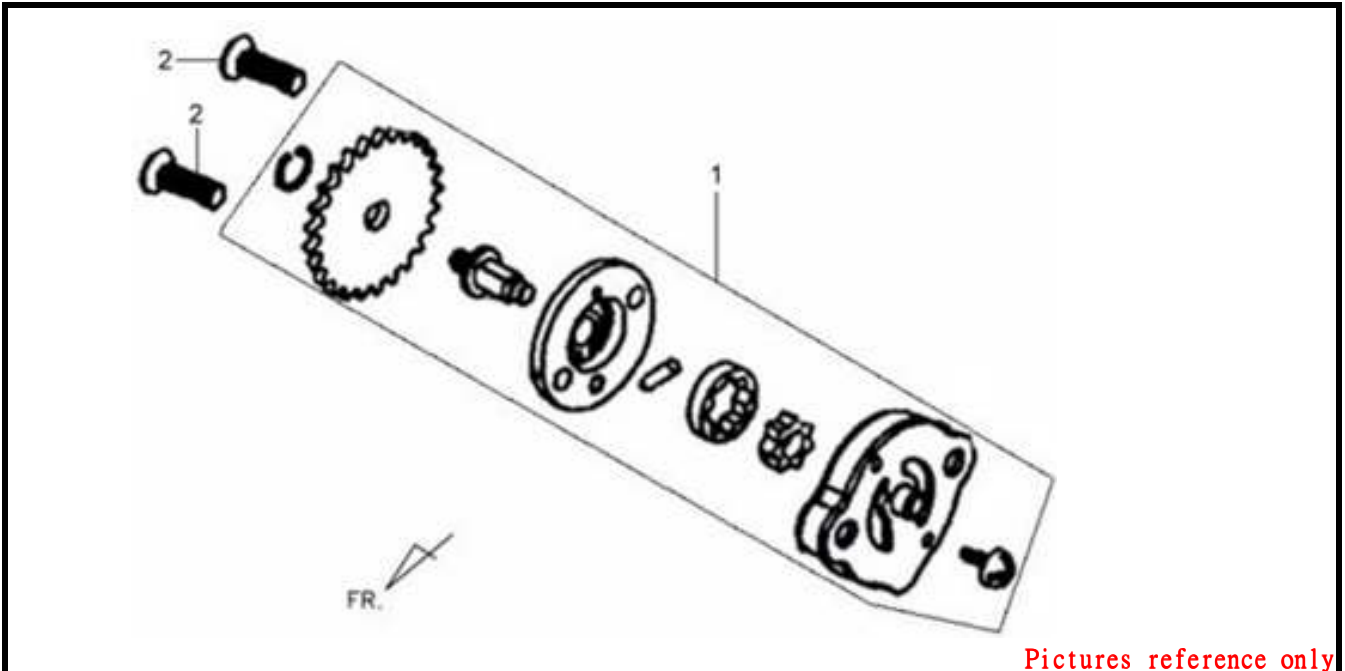
 TEAMWORLD IND. 2012.04



| PARTS NUMBER | SELLING PRICE (RM/PCS) | DESCRIPTION | QTY | EFFECTIVE DATE |
|-------------------|------------------------|-----------------------------|-----|----------------|
| 1 11331-A3K-000 | 122.30 | R. CRANK CASE COVER | 1 | |
| 2 11339-A3G-000 | 6.20 | RR.MUDGUARD STAY | 1 | |
| 3 11394-A3F-000 | 3.30 | R. CRANK CASE COVER GASKET | 1 | |
| 4 1236A-V02-000 | 8.00 | TAPPET ADJ HOLE CAP ASSY | 1 | |
| 5 15421-B9D-000 | 4.80 | OIL FILTER SCREEN | 1 | |
| 6 15426-GE1-920 | 1.30 | OIL FILTER SCREW SPRING | 1 | |
| 7 1565A-A5A-000 | 5.20 | OIL LEVEL GAUGE ASSY | 1 | |
| 8 28101-A3F-000 | 44.60 | STARTER REDUCTION GEAR COMP | 1 | |
| 9 28102-A3F-000 | 5.20 | START.REDUCTION GEAR SHAFT | 1 | |
| 10 32961-A3F-010 | 1.30 | A. C. G CORD CLAMPER | 1 | |
| 11 91201-A31-000 | 4.50 | OIL SEAL 17X30X5 | 1 | |
| 12 91307-035-000 | 1.40 | O-RING 18X3 | 1 | |
| 13 94301-08140 | 1.00 | DOWEL PIN 8X14 | 2 | |
| 14 96001-06025-00 | 0.70 | FLANGE BOLT SH 6X25 | 1 | |
| 15 96001-06095-00 | 2.00 | FLANGE SH BOLT 6X95 | 1 | |
| 16 96001-06100-00 | 2.00 | FLANGE SH BOLT 6X100 | 3 | |
| 17 96001-06110-00 | 2.10 | FLANGE SH BOLT 6X110 | 3 | |

※ Please check the color & stripe information according to the color index !

TEAMWORLD IND. 2012.04

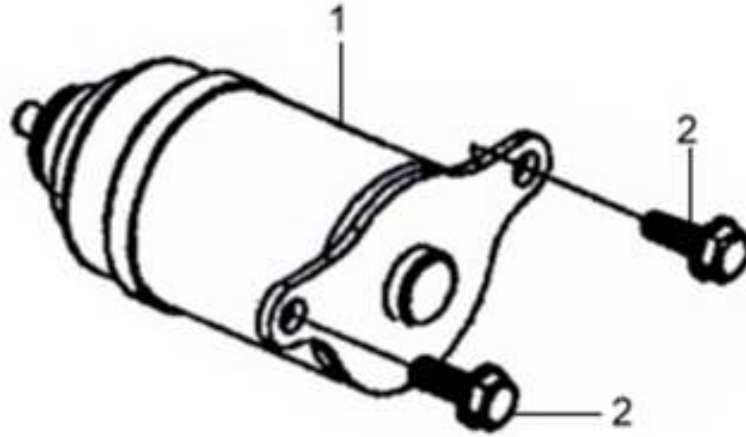


Pictures reference only

| PARTS NUMBER | SELLING PRICE (RM/PCS) | DESCRIPTION | QTY | EFFECTIVE DATE |
|------------------|------------------------|-----------------|-----|----------------|
| 1 15100-A3F-000 | 54.80 | OIL PUMP ASSY | 1 | |
| 2 93600-06025-0H | 0.80 | FLAT SCREW 6X25 | 2 | |

※ Please check the color & stripe information according to the color index !

TEAMWORLD IND. 2012.04

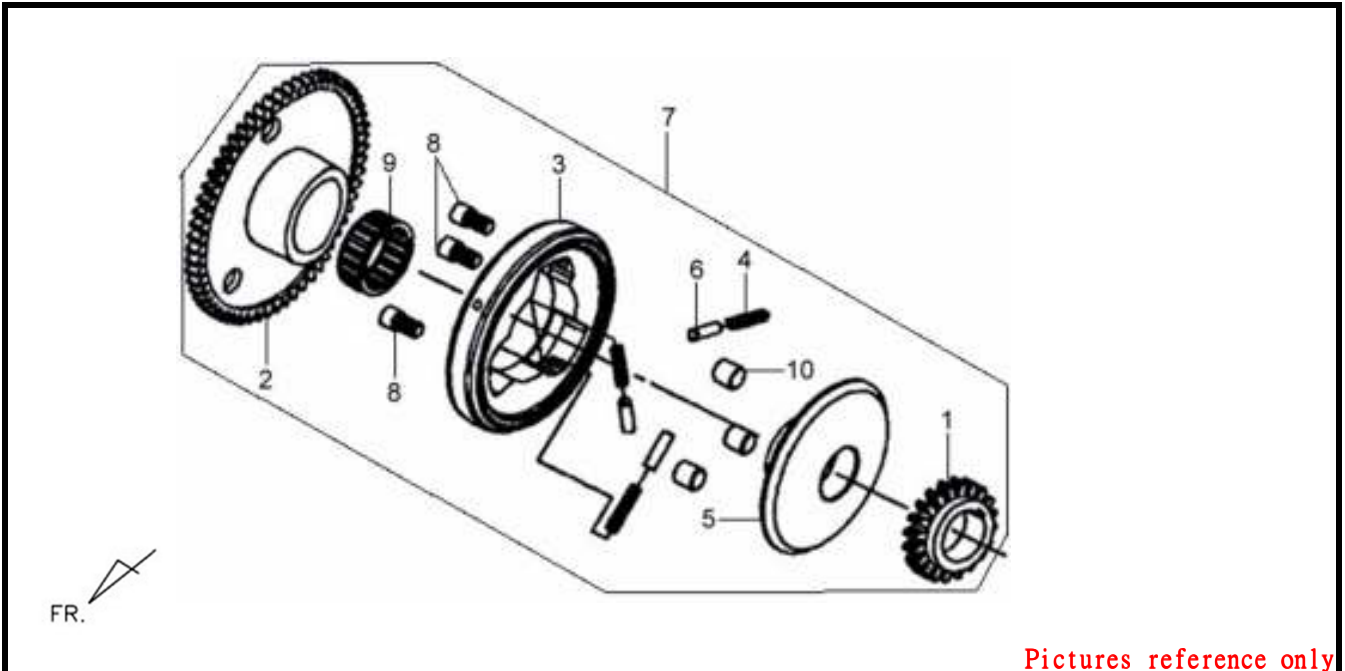


Pictures reference only

| PARTS NUMBER | SELLING PRICE (RM/PCS) | DESCRIPTION | QTY | EFFECTIVE DATE |
|------------------|------------------------|------------------|-----|----------------|
| 1 31200-A5A-000 | 257.10 | START MOTOR ASSY | 1 | |
| 2 96001-06016-08 | 1.00 | FLANGE BOLT 6X16 | 2 | |

※ Please check the color & stripe information according to the color index !

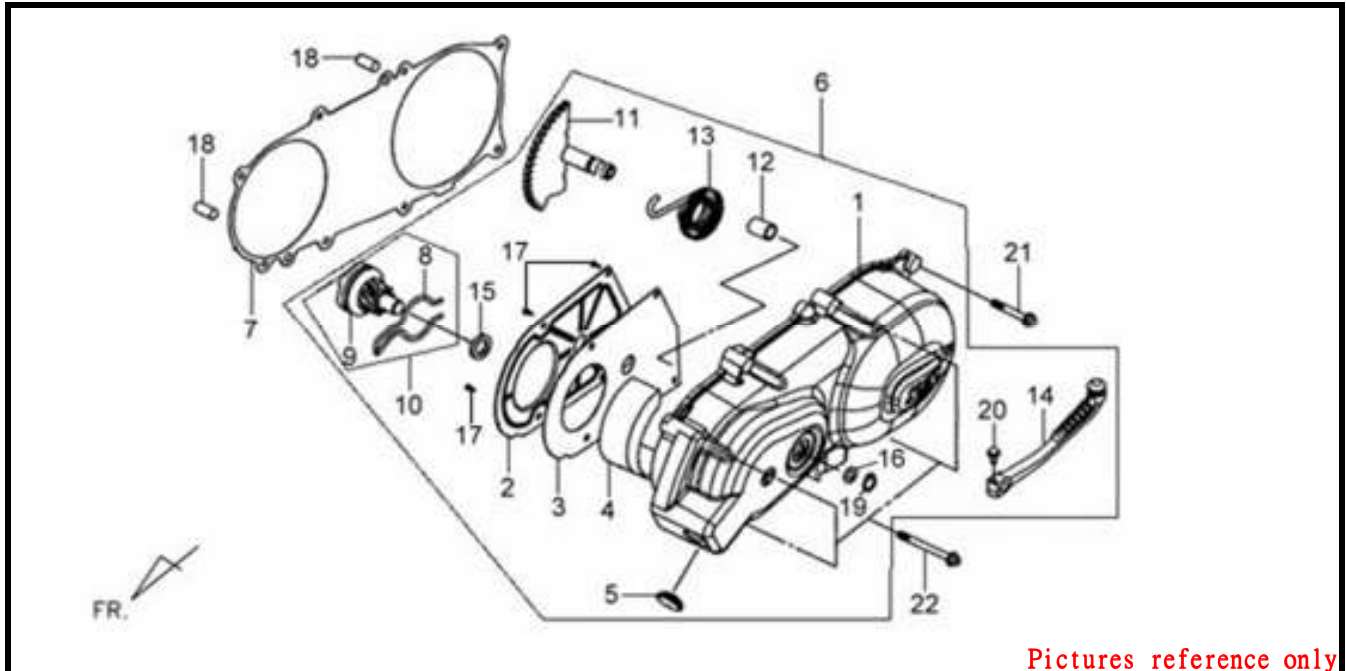
TEAMWORLD IND. 2012.04



| PARTS NUMBER | SELLING PRICE (RM/PCS) | DESCRIPTION | QTY | EFFECTIVE DATE |
|------------------|------------------------|----------------------------|-----|----------------|
| 1 15131-M92-300 | 25.60 | OIL PUMP DRIVE GEAR | 1 | |
| 2 28110-A3F-000 | 58.30 | STARTING CLUTCH GEAR COMP | 1 | |
| 3 28120-M9Q-000 | 113.10 | START. CLUTCH OUTER | 1 | |
| 4 28124-M9Q-000 | 1.00 | START. CLUTCH ROLLER SPG. | 3 | |
| 5 28125-A3F-000 | 61.70 | STARTING CLUTCH FLANGE | 1 | |
| 6 28126-M9Q-000 | 5.80 | STARTING ROLLER SPRING CAP | 3 | |
| 7 2812A-A3F-000 | 209.10 | START CLUTCH OUTER ASSY | 1 | |
| 8 90002-M9Q-000 | 2.50 | SOCKET BOLT 6X10 | 3 | |
| 9 91104-M9Q-000 | 20.60 | NEEDLE BRG.K28X32X17SV1 | 1 | |
| 10 91105-M9Q-000 | 3.30 | ROLLER | 3 | |

※ Please check the color & stripe information according to the color index !

 TEAMWORLD IND. 2012.04

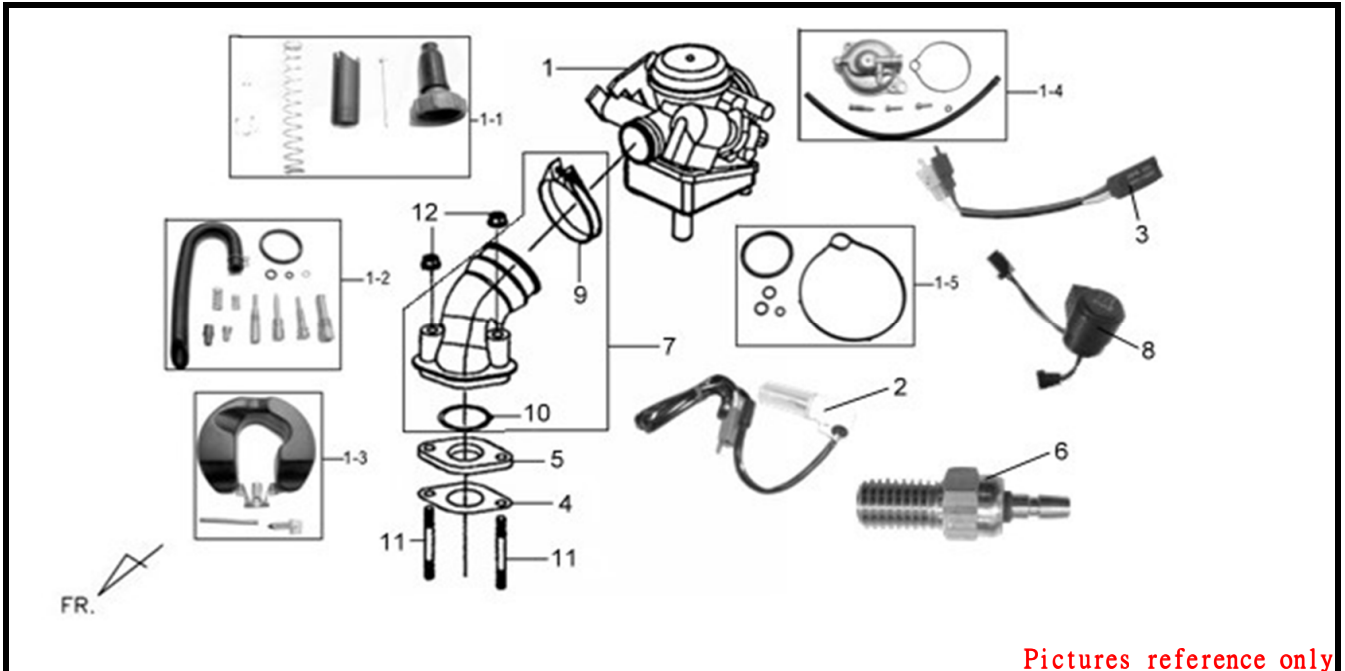


| PARTS NUMBER | SELLING PRICE (RM/PCS) | DESCRIPTION | QTY | EFFECTIVE DATE |
|-------------------|------------------------|---------------------------|-----|----------------|
| 1 11341-A5A-000 | 174.90 | L.CRANK CASE COVER | 1 | |
| 2 11342-A5A-000 | 10.70 | L SIDE COVER PLATE | 1 | |
| 3 11343-A5A-000 | 3.50 | L SIDE COVER PLATE GASKET | 1 | |
| 4 11344-A3F-000 | 9.00 | L. SIDE COVER ELEMENT | 1 | |
| 5 11345-A3F-000 | 1.80 | L.SIDE COVER PANEL | 1 | |
| 6 1134A-A5A-000 | 288.00 | L CRANK CASE COVER ASSY | 1 | |
| 7 11396-A5A-000 | 7.90 | L. SIDE COVER GASKET B | 1 | |
| 8 28223-KBN-900 | 1.70 | KICK DRIVEN GEAR SPG. | 1 | |
| 9 28230-A1A-000 | 37.70 | KICK DRIVEN GEAR COMP | 1 | |
| 10 2823A-A1A-000 | 37.70 | KICK DRIVEN GEAR ASSY. | 1 | |
| 11 28250-A5A-000 | 44.60 | KICK STARTER SPINDLE COMP | 1 | |
| 12 28253-M7Q-000 | 2.00 | KICK SPINDLE BUSH | 1 | |
| 13 28281-A1A-000 | 5.50 | KICK RETURN SPRING | 1 | |
| 14 28300-A5C-000 | 32.50 | KICK STARTER ARM ASSY | 1 | |
| 15 90412-M7Q-000 | 0.80 | THRUST WASHER 10MM | 1 | |
| 16 90451-M7Q-000 | 1.70 | KICK SPINDLE WASHER | 1 | |
| 17 93901-25180 | 0.80 | TAPPING SCREW 5X10 | 6 | |
| 18 94301-08140 | 1.00 | DOWEL PIN 8X14 | 2 | |
| 19 94511-14000 | 1.00 | EX. CIR CLIP 14MM | 1 | |
| 20 95801-06022-07 | 0.80 | FLANGE BOLT 6X22 | 1 | |
| 21 96001-06025-00 | 0.70 | FLANGE BOLT SH 6X25 | 1 | |
| 22 96001-06055-00 | 1.70 | BOLT FLANGE SH 6X55 | 7 | |

※ Please check the color & stripe information according to the color index !

TEAMWORK IND 2012 04

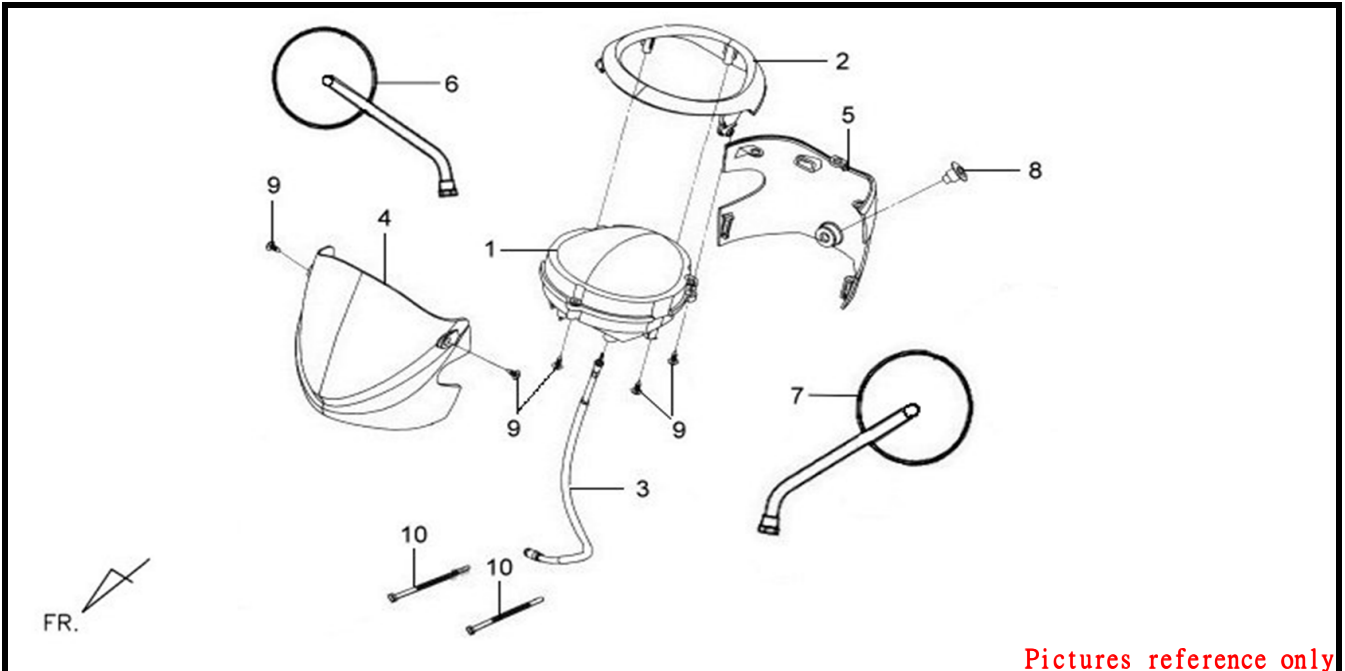
PRICE SHOWN IS PER PIECE. Product image price are approximate guide only.
Prices shown are subject to change without prior notice.



| PARTS NUMBER | SELLING PRICE (RM/PCS) | DESCRIPTION | QTY | EFFECTIVE DATE |
|--------------------|------------------------|--------------------------|-----|----------------|
| 1 16100-A8D-000-01 | 770.10 | CARB. ASSY. | 1 | |
| 1-1 A8D-1 | 78.80 | CARB. NEEDLE FIXING SET. | 1 | |
| 1-2 A8D-2 | 58.30 | CARB. SCREW FIXING SET. | 1 | |
| 1-3 A8D-3 | 27.50 | CARB. FLOAT FIXING SET. | 1 | |
| 1-4 A8D-4 | 109.80 | CARB. F.C.B FIXING SET. | 1 | |
| 1-5 A8D-5 | 5.20 | CARB. GASKET FIXING SET. | 1 | |
| 2 16046-A8A-000 | 164.50 | CARB. AUTO BY-ST ASSY | 1 | |
| 3 16101-A3M-000 | 200.00 | THERMO SWITCH | 1 | |
| 4 16201-A3G-000 | 1.00 | CARB. INSULATOR GASKET | 1 | |
| 5 16211-A3G-010 | 3.30 | CARB. INSULATOR | 1 | |
| 6 1621-883-2000 | 68.50 | CARB. HRATER(15W) | 1 | |
| 7 1711A-A5A-000 | 77.30 | INLET PIPE ASSY. | 1 | |
| 8 38900-A3M-000 | 37.70 | A.L.S.UNIT ASSY | 1 | |
| 9 90652-G03-000 | 10.20 | AIR/C CONN. TUBE BAND | 1 | |
| 10 91304-M36-000 | 1.70 | O-RING 25X2.0MM | 1 | |
| 11 92900-06050-0E | 2.50 | STUD BOLT 6X50 | 2 | |
| 12 94050-06000 | 0.40 | FLANGE NUT 6MM | 2 | |

※ Please check the color & stripe information according to the color index !

TEAMWORLD IND. 2012.04

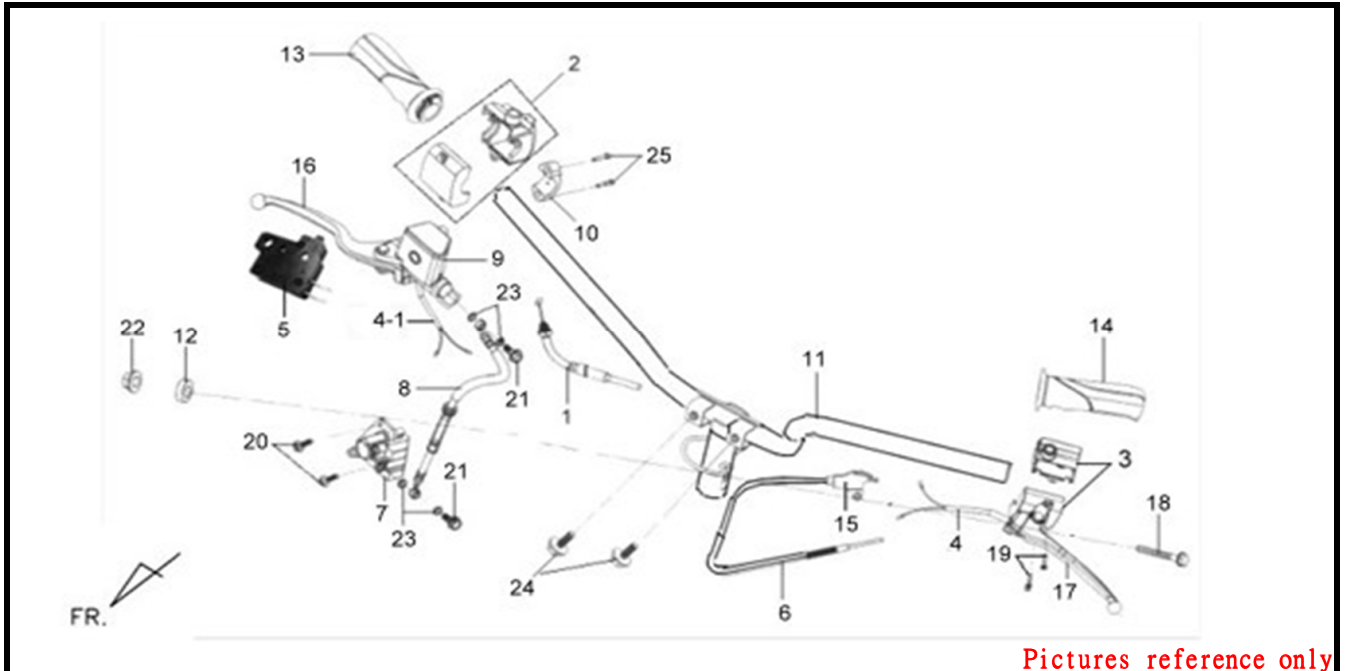


Pictures reference only

| PARTS NUMBER | SELLING PRICE (RM/PCS) | DESCRIPTION | QTY | EFFECTIVE DATE |
|----------------------|------------------------|-----------------------------|-----|----------------|
| 1 37200-A8D-000 | 284.50 | METER ASSY | 1 | |
| 2 37210-A7A-000 | 34.40 | METER COVER | 1 | |
| 3 44830-T47-000 | 13.00 | SPEEDOMETER CABLE COMP | 1 | |
| 4 5320G-A7E-000-KV | 51.50 | FR.H.C ASSY (BK-0406S) | 1 | |
| 4-1 87121-A7D-000-T1 | 1.70 | SYM MARK STRIPE TYPE1(40MM) | 1 | |
| 4 5320G-A7E-000-QA | 51.50 | FR.H.C ASSY (WH-011S) | 1 | |
| 4-1 87121-A7D-000-T2 | 1.70 | SYM MARK STRIPE TYPE2(40MM) | 1 | |
| 5 53206-A7A-000-KA | 42.40 | HANDLE RR. COVER BK-001U | 1 | |
| 6 88110-A8D-000 | 56.60 | R. BACK MIRROR | 1 | |
| 7 88120-A8D-000 | 56.60 | L. BACK MIRROR | 1 | |
| 8 90114-N01-000 | 1.00 | SWITCH COVER SCREW | 1 | |
| 9 93903-34380 | 0.60 | TAPPING SCREW 4X12 | 5 | |
| 10 95014-62200 | 0.80 | WIRE BAND B2 | 2 | |

※ Please check the color & stripe information according to the color index !

TEAMWORLD IND. 2012.04



Pictures reference only

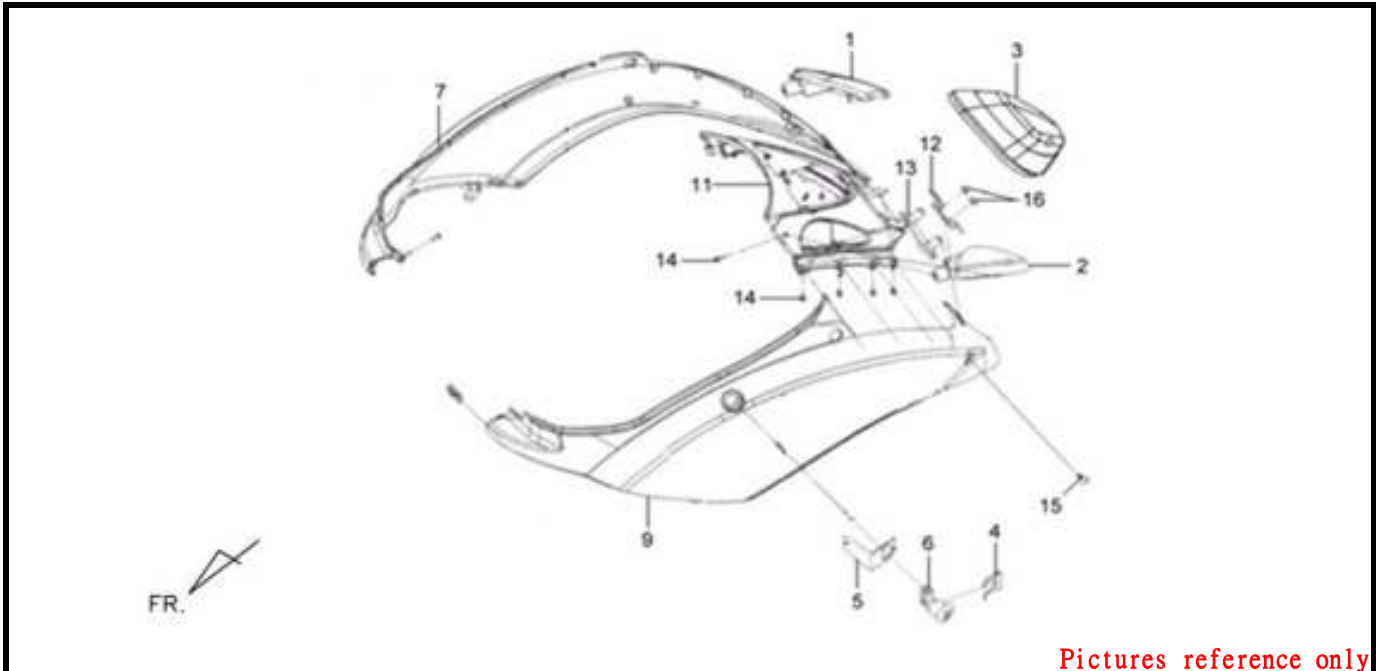
| PARTS NUMBER | SELLING PRICE (RM/PCS) | DESCRIPTION | QTY | EFFECTIVE DATE |
|---------------------|------------------------|---------------------------|-----|----------------|
| 1 17910-A8A-000 | 28.80 | THROTTLE CABLE COMP | 1 | |
| 2 35150-A8B-000 | 106.20 | R. HANDLE SWITCH ASSY. | 1 | |
| 3 35200-A8B-000-TW | 109.80 | L. HANDLE SWITCH | 1 | |
| 4 35340-F3C-001 | 10.90 | FR STOP SW ASSY | 1 | |
| 4-1 32106-KBN-900 | 6.90 | SUB. HARNESS | 1 | |
| 5 35340-KBN-900 | 10.20 | FR. STOP SW. ASSY(R) | 1 | |
| 6 43450-A8A-000 | 22.80 | RR.BRAKE CABLE ASSY | 1 | |
| 7 45100-A7E-000 | 359.90 | FR.CALIPER ASSY. | 1 | |
| 7-1 45105-GM9-743-A | 51.40 | BRAKE PAD SET | 1 | |
| 8 45126-A8B-000 | 130.20 | FR. BRAKE HOSE ASSY. | 1 | |
| 9 45500-A8B-000 | 217.00 | FR. MASTER CYLINDER ASSY | 1 | |
| 10 45517-A8B-000 | 6.90 | MASTER CYCLINDER HOLDER. | 1 | |
| 11 53100-A8B-900 | 137.10 | STRG. HANDLE COMP | 1 | |
| 12 53125-M9Q-000 | 8.60 | HANDLE SET COLLAR | 1 | |
| 13 53140-A7A-700-KA | 8.90 | THROT GRIP COMP (BK-001U) | 1 | |
| 14 53166-TAA-700-KA | 6.90 | L HANDLE GRIP (BK-001U) | 1 | |
| 15 53174-TDE-000 | 3.30 | L HANDLE LEVER COVER | 1 | |
| 16 53175-A8B-000 | 29.80 | R.STEERING HANDLE LEVER | 1 | |
| 17 53178-F3C-000 | 12.10 | L STRG HANDLE LEVER | 1 | |
| 18 90106-TAA-000 | 3.30 | FLANGE BOLT 10X50 | 1 | |
| 19 90117-TDF-000 | 2.50 | HANDLE HOLDER BOLT | 2 | |
| 20 90131-GW0-910 | 2.00 | FLANGE BOLT 8X35 | 2 | |
| 21 90145-MS9-611 | 3.30 | OIL BOLT 10X22 | 2 | |
| 22 90304-M9Q-000 | 4.80 | NUT U FLANGE 10MM | 1 | |

PRICE SHOWN IS PER PIECE. Product image price are approximate guide only.
 Prices shown are subject to change without prior notice.

| | | | | | | |
|----|----------------|------|------------------|---|--|--|
| 23 | 90545-M9Q-000 | 1.00 | OIL BOLT WASHER | 4 | | |
| 24 | 95801-06012-08 | 0.80 | FLANGE BOLT 6X12 | 2 | | |
| 25 | 96700-06020-00 | 1.00 | SOCKET BOLT 6X20 | 2 | | |

※ Please check the color & stripe information according to the color index !

 **TEAMWORLD IND. 2012.04**



Pictures reference only

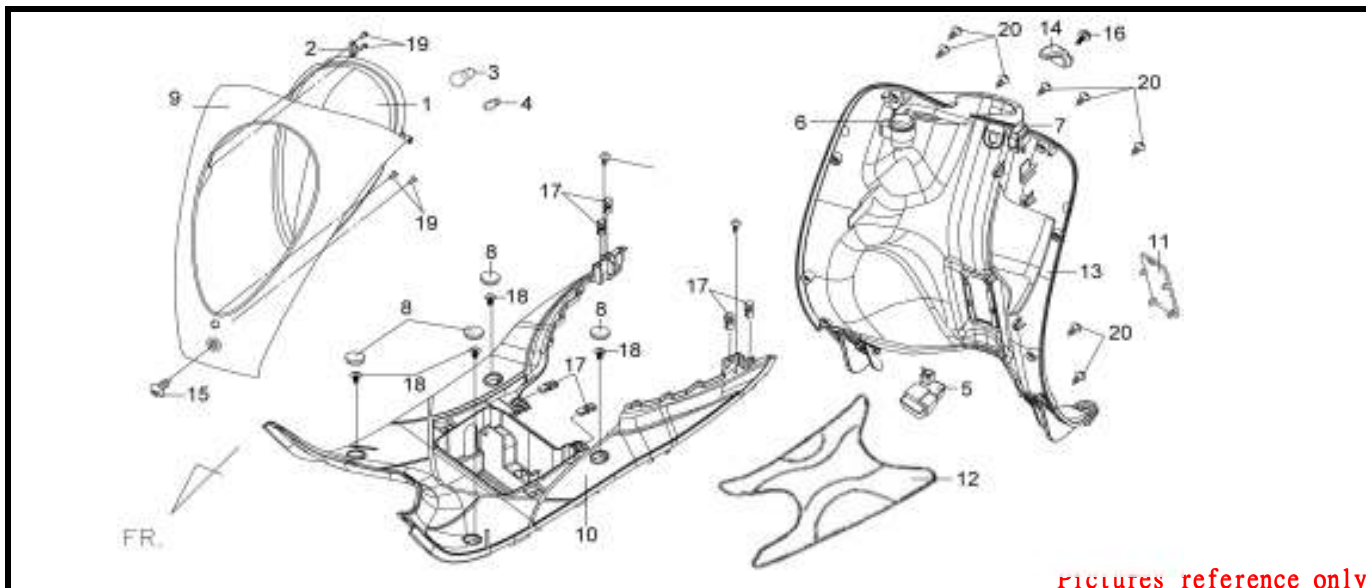
| PARTS NUMBER | SELLING PRICE (RM/PCS) | DESCRIPTION | QTY | EFFECTIVE DATE |
|---------------------|------------------------|-----------------------------|-----|----------------|
| 1 33600-A8D-000 | 44.60 | R. RR. WINKER ASSY | 1 | |
| 1-1 33602-A8D-000 | 8.60 | RR. R. WINKER LENS | 1 | |
| 1-2 34905-A8D-000 | 14.10 | WINKER BULB(12V10W E MARK) | 1 | |
| 2 33650-A8D-000 | 44.60 | RR. L. WINKER ASSY. | 1 | |
| 2-1 33652-A8D-000 | 8.60 | L. RR. WINKER LENS | 1 | |
| 3 33700-A7M-000 | 120.00 | TAIL LIGHT ASSY. | 1 | |
| 3-1 33702-A7W-000 | 17.10 | TAIL LIGHT LENS | 1 | |
| 3-2 34906-M70-000 | 8.60 | BULB TAIL LIGHT(E-mark)12V | 1 | |
| 4 75581-T53-000 | 2.00 | SET SPG LOCK KEY | 1 | |
| 5 77236-HAA-000 | 1.70 | SEAT LOCK WASHER | 1 | |
| 6 77239-T53-000 | 24.00 | KEY SEAT LOCK | 1 | |
| 7 8350G-A8A-600-KV6 | 161.10 | R.BODY COVER ASSY(BK-0406S) | 1 | |
| 7-1 87128-A8A-600 | 6.90 | BODY COVER STRIPE | 1 | |
| 7 8350G-A8A-600-AI6 | 161.10 | R.BODY COVER ASSY(BR-7529S) | 1 | |
| 7-1 87128-A8A-600 | 6.90 | BODY COVER STRIPE | 1 | |
| 7 8350G-A8A-600-VI6 | 161.10 | R.BODY COVER ASSY(R-200C) | 1 | |
| 7-1 87128-A8A-600 | 6.90 | BODY COVER STRIPE | 1 | |
| 7 8350G-A8A-600-VJ6 | 161.10 | R.BODY COVER ASSY(R-203S) | 1 | |
| 7-1 87128-A8A-600 | 6.90 | BODY COVER STRIPE | 1 | |
| 9 8360G-A8A-600-KV6 | 161.10 | L.BODY COVER ASSY(BK-0406S) | 1 | |
| 9-1 87128-A8A-600 | 6.90 | BODY COVER STRIPE | 1 | |
| 9 8360G-A8A-600-AI6 | 161.10 | L.BODY COVER ASSY(BR-7529S) | 1 | |
| 9-1 87128-A8A-600 | 6.90 | BODY COVER STRIPE | 1 | |
| 9 8360G-A8A-600-VI6 | 161.10 | L.BODY COVER ASSY(R-200C) | 1 | |

PRICE SHOWN IS PER PIECE. Product image price are approximate guide only.
 Prices shown are subject to change without prior notice.

| | | | | | | |
|-----|-------------------|--------|---------------------------|----|--|--|
| 9-1 | 87128-A8A-600 | 6.90 | BODY COVER STRIPE | 1 | | |
| 9 | 8360G-A8A-600-VJ6 | 161.10 | L.BODY COVER ASSY(R-203S) | 1 | | |
| 9-1 | 87128-A8A-600 | 6.90 | BODY COVER STRIPE | 1 | | |
| 11 | 83751-A7A-010-KA | 20.60 | RR. CENTER COVER(BK-001U) | 1 | | |
| 12 | 84701-A8D-000 | 8.60 | NUMBER PLATE BRKT. | 1 | | |
| 13 | 84702-A8D-000 | 2.00 | LICENSE PLATE BRKT STAY | 1 | | |
| 14 | 93903-34320 | 0.60 | TAPPING SCREW 4X12 | 21 | | |
| 15 | 93903-34480 | 0.40 | TAPPING SCREW 4X16 | 2 | | |
| 16 | 94050-06080 | 1.00 | FLANGE NUT 6MM | 2 | | |

※ Please check the color & stripe information according to the color index !

 TEAMWORLD IND. 2012.04



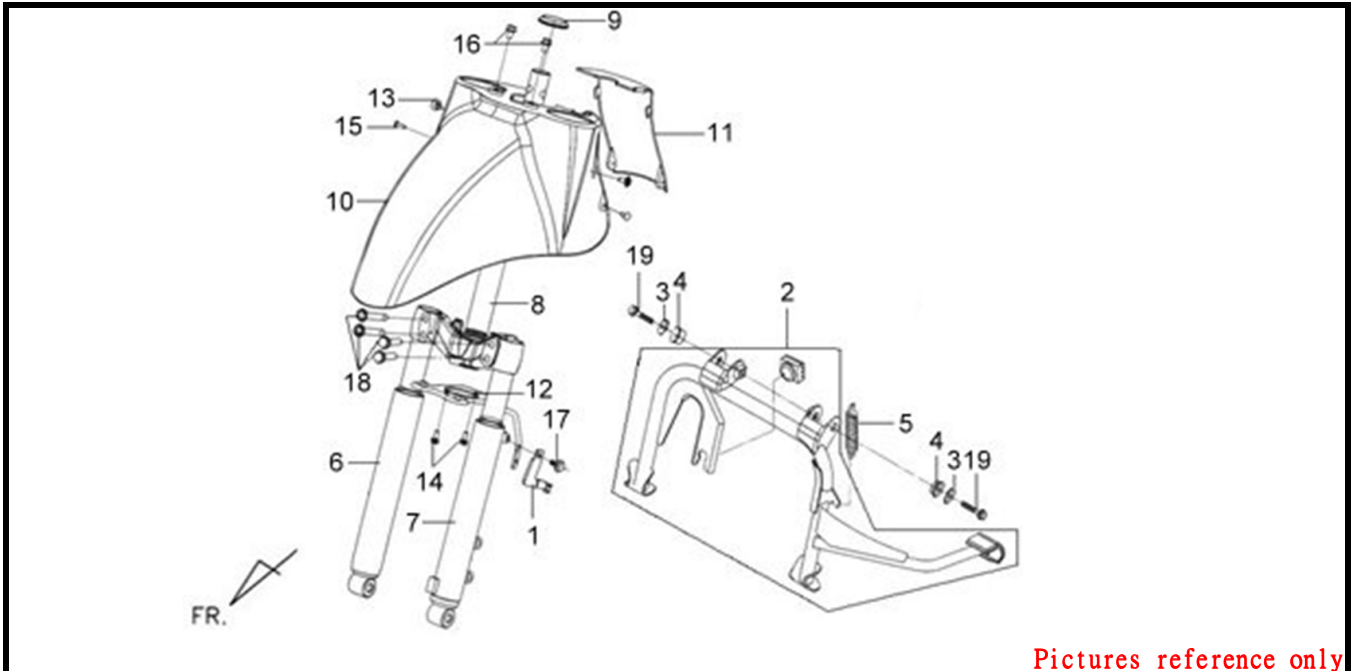
pictures reference only

| PARTS NUMBER | SELLING PRICE (RM/PCS) | DESCRIPTION | QTY | EFFECTIVE DATE |
|---------------------|------------------------|---------------------------|-----|----------------|
| 1 33100-A8D-000 | 239.90 | HEAD LIGHT ASSY | 1 | |
| 2 33107-A7A-000 | 1.30 | HEAD LIGHT PLATE | 1 | |
| 3 34901-M91-010 | 30.80 | HELD LIGHT BULB 12V35/35W | 1 | |
| 4 34908-M9Q-100 | 2.80 | POSITION BULB 12V-5W (E) | 2 | |
| 5 37230-A8A-000 | 130.20 | LED CONTROL UNIT | 1 | |
| 6 38300-T53-010 | 37.70 | WINKER RELAY ASSY | 1 | |
| 7 3850A-HLA-010 | 34.40 | ELEC. RELAY ASSY. | 1 | |
| 8 50612-F02-010-KA | 1.30 | CAP A FLR STEP (BK-001U) | 4 | |
| 9 6430G-A7C-000-KV | 157.70 | FR COVER ASSY BK-0406S | 1 | |
| 9-1 87123-TFA-000 | 5.20 | S-LOGO 30MM(POLY) | 1 | |
| 9-2 87124-HAD-000 | 6.90 | FR. COVER EMBLEM TYPE1 | 1 | |
| 9 6430G-A7C-000-QA | 157.70 | FR COVER ASSY (WH-011S) | 1 | |
| 9-1 87123-TFA-000 | 5.20 | S-LOGO 30MM(POLY) | 1 | |
| 9-2 87124-HAD-000 | 6.90 | FR. COVER EMBLEM TYPE1 | 1 | |
| 10 64310-A7A-000-KA | 63.40 | FLOOR PANEL (BK-001U) | 1 | |
| 11 64318-H6B-010-KA | 7.00 | FRAME NUMBER LID(BK-001U) | 1 | |
| 12 64320-A7B-000-KA | 42.90 | FLOOR MAT BK-001U | 1 | |
| 13 81131-A7A-000-KA | 75.40 | FR. INNER COVER(BK-001U) | 1 | |
| 14 81132-M7Q-000-KA | 3.80 | LUGGAGE HOOK (BK-001U) | 1 | |
| 15 90119-G03-000 | 1.30 | SCREW WASHER 5X22 | 1 | |
| 16 90164-MR4-900 | 1.00 | SCREW SPECIAL 6X16.5 | 1 | |
| 17 90302-V02-000 | 0.80 | NUT SPRING 4MM | 6 | |
| 18 93404-06016-08 | 0.80 | BOLT WASHER 6X16 | 4 | |
| 19 93903-34120 | 0.60 | TAPPING SCREW 4*8 | 4 | |
| 20 93903-34380 | 0.60 | TAPPING SCREW 4X12 | 8 | |

※ Please check the color & stripe information according to the color index !

TEAMWORK SIND 2010 01

PRICE SHOWN IS PER PIECE. Product image price are approximate guide only.
Prices shown are subject to change without prior notice.



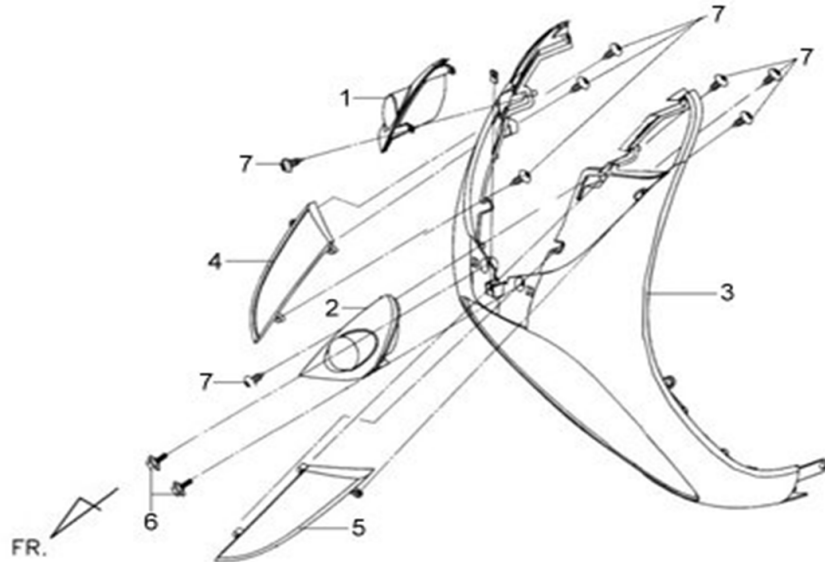
Pictures reference only

| PARTS NUMBER | SELLING PRICE (RM/PCS) | DESCRIPTION | QTY | EFFECTIVE DATE |
|---------------------|------------------------|---------------------------------|-----|----------------|
| 1 45156-A8B-000 | 3.10 | FR. BRK. HOSE CLAMP | 1 | |
| 2 50500-A5C-000 | 88.10 | MAIN STAND ASSY | 1 | |
| 3 50503-A5C-000 | 1.30 | MAIN STAND WASHER | 2 | |
| 4 50504-A5C-000 | 8.60 | MAIN STAND COLLAR | 2 | |
| 5 50505-E60-000 | 5.50 | MAIN STAND SPRING ASSY | 1 | |
| 6 51400-A3G-001 | 253.70 | FR.R FORK ASSY | 1 | |
| 6 5140G-A8D-600 | 284.50 | RH. FR. CUSHION ASSY (SILVER) | 1 | |
| 7 51500-A3G-001 | 253.70 | FR.L FORK ASSY | 1 | |
| 7 5150G-A8D-600 | 284.50 | LH. FR. CUSHION ASSY (SILVER) | 1 | |
| 8 53200-A8B-000 | 171.40 | STRG. STEM COMP | 1 | |
| 9 53212-M7Q-000 | 6.90 | RACE STRG BOTTOM CONE | 1 | |
| 10 61100-A7A-000-KV | 92.50 | FR. FENDER A BK-0406S | 1 | |
| 10 61100-A7A-000-QA | 92.50 | FR. FENDER A WH-011S | 1 | |
| 11 61101-A7A-000 | 32.50 | FR. FENDER B | 1 | |
| 12 61104-A7A-000 | 20.60 | FR. FENDER STAY COMP | 1 | |
| 13 90114-N01-000 | 1.00 | SWITCH COVER SCREW | 2 | |
| 14 93401-05012-08 | 0.80 | WASHER BOLT 5X12 | 2 | |
| 15 93903-34380 | 0.60 | TAPPING SCREW 4X12 | 2 | |
| 16 95801-06010-08 | 0.80 | FLANGE BOLT 6X10 | 2 | |
| 17 95801-06012-08 | 0.80 | FLANGE BOLT 6X12 | 1 | |
| 18 95801-08040-00 | 1.50 | FLANGE BOLT 8X40 | 4 | |
| 19 95801-08045-08 | 2.50 | FLANGE BOLT 8X45 | 2 | |

※ Please check the color & stripe information according to the color index !



PRICE SHOWN IS PER PIECE. Product image price are approximate guide only.
Prices shown are subject to change without prior notice.



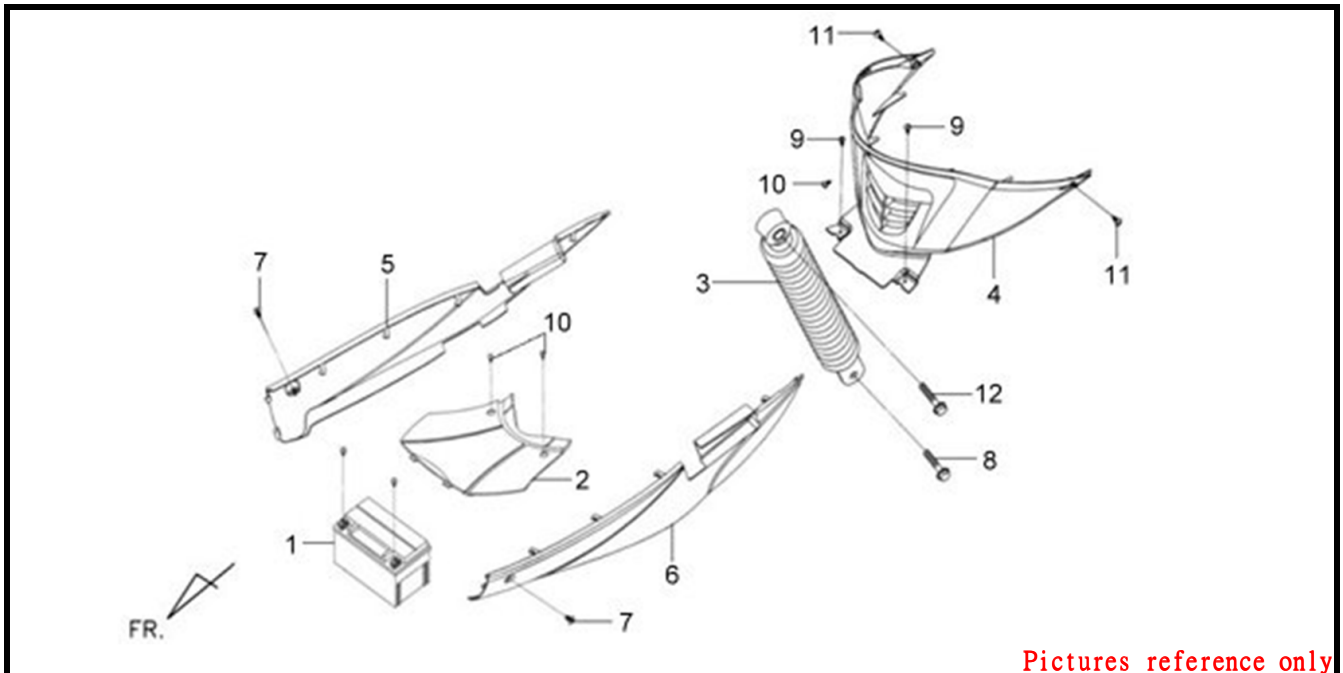
Pictures reference only

| PARTS NUMBER | SELLING PRICE (RM/PCS) | DESCRIPTION | QTY | EFFECTIVE DATE |
|--------------------|------------------------|------------------------------|-----|----------------|
| 1 33400-A8D-000 | 41.10 | FR. R. WINKER ASSY | 1 | |
| 1-1 34905-A8D-000 | 14.10 | WINKER BULB(12V10W E MARK) | 1 | |
| 1-2 33402-A8D-000 | 30.80 | WINKER LENS AND BASE FR R/L | 1 | |
| 2 33450-A8D-000 | 41.10 | FR. L. WINKER ASSY | 1 | |
| 2-1 34905-A8D-000 | 14.10 | WINKER BULB(12V10W E MARK) | 1 | |
| 2-2 33452-A8D-000 | 30.80 | FR. L WINKER LENS/BASE | 1 | |
| 3 6430G-A8A-600-QA | 164.30 | FR. SPOILER ASSY. WH-011S | 1 | |
| 3-1 87124-A8A-600 | 3.80 | FR.SPOILER STRIPE | 1 | |
| 3 6430G-A8A-600-AI | 164.30 | FR SPOILER ASSY. BR-7529S | 1 | |
| 3-1 87124-A8A-600 | 3.80 | FR.SPOILER STRIPE | 1 | |
| 3 6430G-A8A-600-VI | 164.30 | FR SPOILER ASSY. R-200C | 1 | |
| 3-1 87124-A8A-600 | 3.80 | FR.SPOILER STRIPE | 1 | |
| 3 6430G-A8A-600-VJ | 164.30 | FR SPOILER ASSY.R-203S | 1 | |
| 3-1 87124-A8A-600 | 3.80 | FR.SPOILER STRIPE | 1 | |
| 4 64410-A7A-000-QA | 25.60 | FR.R WIN. GARNISH WH-011S | 1 | |
| 4 64410-A7A-000-AI | 25.60 | FR.R WIN. GARNISH BR-7529S | 1 | |
| 4 64410-A7A-000-VI | 25.60 | FR R WINKER GARNISH R-200C | 1 | |
| 4 64410-A7A-000-VJ | 25.60 | FR R WINKER GARNISH R-203S | 1 | |
| 5 64420-A7A-000-QA | 25.60 | FR.L WIN. GARNISH WH-011S | 1 | |
| 5 64420-A7A-000-AI | 25.60 | FR.L WIN. GARNISH BR-7529S | 1 | |
| 5 64420-A7A-000-VI | 25.60 | FR L WINKER GARNISH R-200C | 1 | |
| 5 64420-A7A-000-VJ | 25.60 | FR L WINKER GARNISH (R-203S) | 1 | |
| 6 90113-M8Q-000 | 1.30 | FLANGE BOLT 6MM | 2 | |
| 7 93903-34320 | 0.60 | TAPPING SCREW 4X12 | 8 | |

※ Please check the color & stripe information according to the color index !

TEAMWORLD IND 2012.04

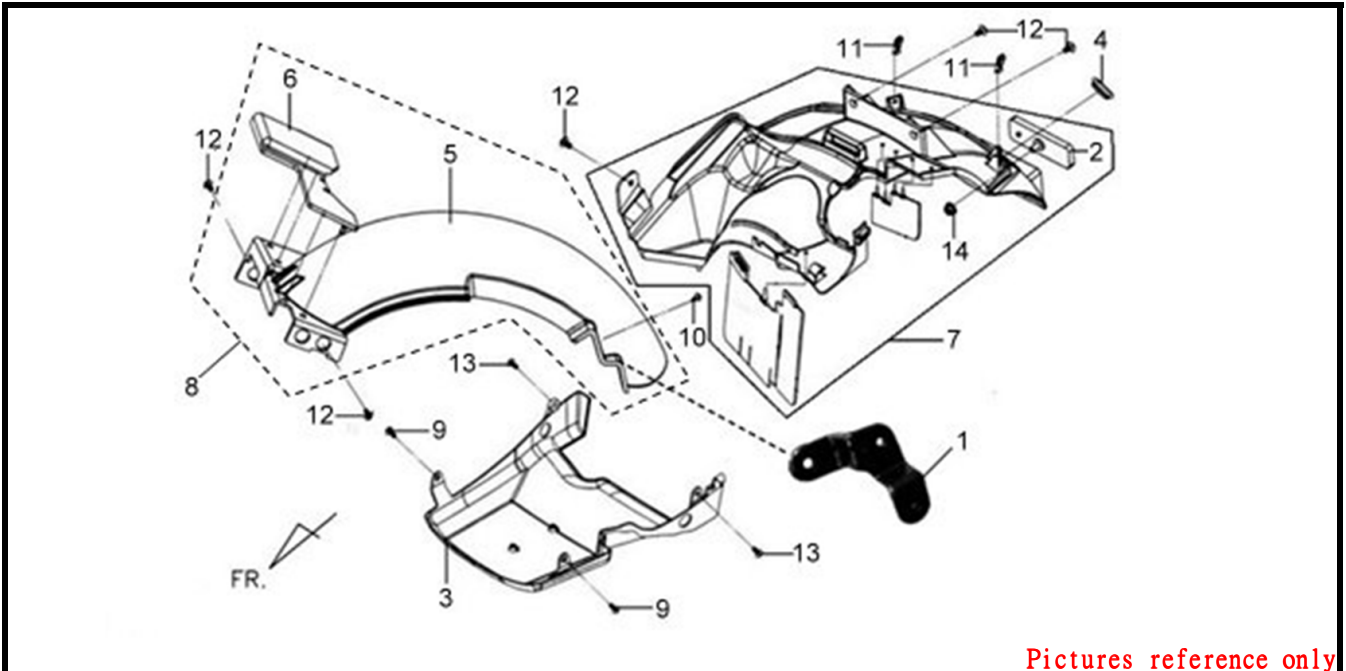
PRICE SHOWN IS PER PIECE. Product image price are approximate guide only.
Prices shown are subject to change without prior notice.



| PARTS NUMBER | SELLING PRICE (RM/PCS) | DESCRIPTION | QTY | EFFECTIVE DATE |
|--------------------|------------------------|------------------------|-----|----------------|
| 1 1Y01GY601-Y | 164.70 | BATTERY ASSY. YTX7A-BS | 1 | |
| 2 50326-A7A-000-KA | 13.70 | BATTERY COVER BK-001U | 1 | |
| 3 52400-A1A-000 | 139.60 | RR. CUSHION ASSY | 1 | |
| 4 80151-A7A-000-KA | 56.00 | CENTER COVER (BK-001U) | 1 | |
| 5 83520-A7A-000-QA | 74.60 | R.SIDE COVER WH-011S | 1 | |
| 5 83520-A7A-000-AI | 74.60 | R.SIDE COVER BR-7529S | 1 | |
| 5 83520-A7A-000-VI | 74.60 | R.SIDE COVER R-200C | 1 | |
| 5 83520-A7A-000-VJ | 74.60 | R.SIDE COVER (R-203S) | 1 | |
| 6 83620-A7A-000-QA | 74.60 | L.SIDE COVER WH-011S | 1 | |
| 6 83620-A7A-000-AI | 74.60 | L.SIDE COVER BR-7529S | 1 | |
| 6 83620-A7A-000-VI | 74.60 | L.SIDE COVER R-200C | 1 | |
| 6 83620-A7A-000-VJ | 74.60 | L.SIDE COVER (R-203S) | 1 | |
| 7 90118-HAA-000 | 1.00 | WASHER BOLT 5X14 | 2 | |
| 8 93201-08032-0H | 1.30 | HEX BOLT 8X32 | 1 | |
| 9 93903-34320 | 0.60 | TAPPING SCREW 4X12 | 2 | |
| 10 93903-34480 | 0.40 | TAPPING SCREW 4X16 | 3 | |
| 11 93903-34480 | 0.40 | TAPPING SCREW 4X16 | 2 | |
| 12 95801-10035-08 | 2.80 | FLANGE BOLT 10X35 | 1 | |

※ Please check the color & stripe information according to the color index !

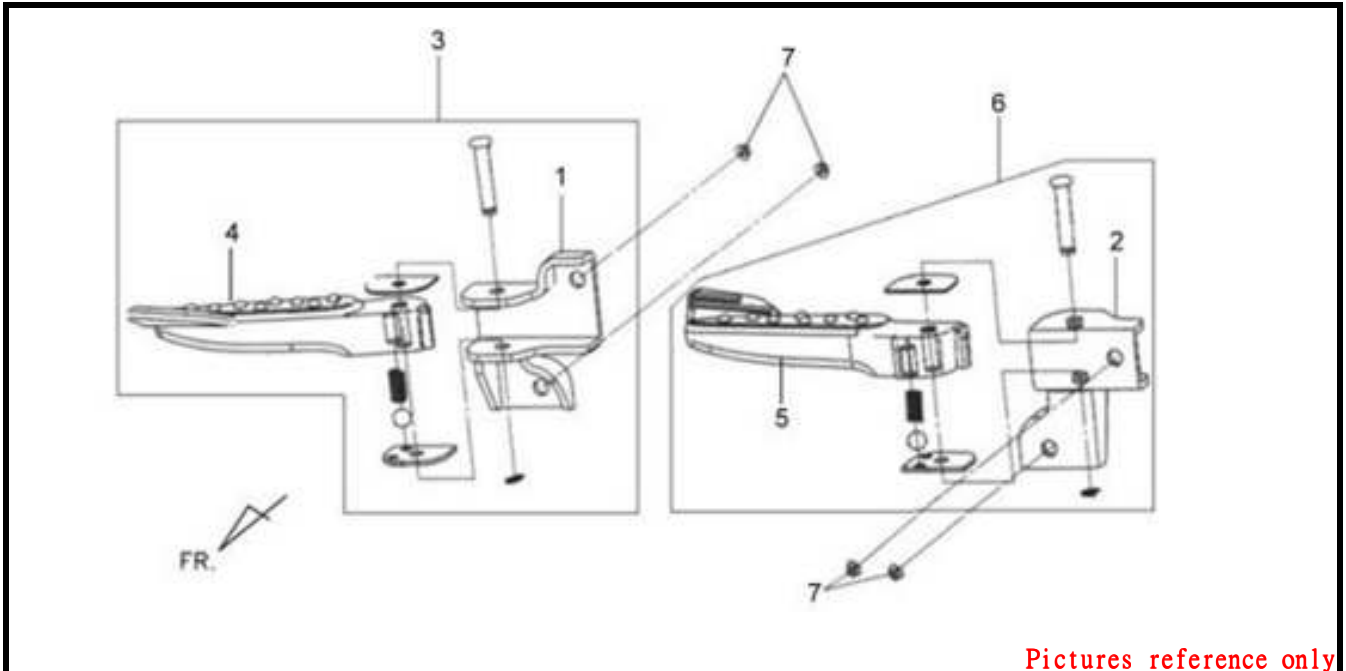
TEAMWORLD IND. 2012.04



| PARTS NUMBER | SELLING PRICE (RM/PCS) | DESCRIPTION | QTY | EFFECTIVE DATE |
|--------------------|------------------------|-------------------------|-----|----------------|
| 1 11339-A3G-000 | 6.20 | RR.MUDGUARD STAY | 1 | |
| 2 33741-M9A-000 | 10.20 | RR. REFLECTOR | 1 | |
| 3 50613-A1A-000 | 34.40 | UNDER COVER (BK-001U) | 1 | |
| 4 70529-M9Q-000 | 1.60 | SIDE PANEL GROMMET | 1 | |
| 5 80105-A1A-000 | 15.40 | RR. MUDGUARD | 1 | |
| 6 80106-A5A-000 | 24.00 | RR. MUDGUARD PLATE | 1 | |
| 7 8010A-A8D-000-KA | 50.30 | RR. FENDER ASSY BK-001U | 1 | |
| 8 8010B-A5A-000 | 17.10 | RR. MUDGUARD ASSY | 1 | |
| 9 90118-HAA-000 | 1.00 | WASHER BOLT 5X14 | 2 | |
| 10 90119-A1A-000 | 1.00 | WASHER SCREW 5X22 | 1 | |
| 11 90302-V02-000 | 0.80 | NUT SPRING 4MM | 2 | |
| 12 93404-06012-07 | 0.80 | WASHER BOLT 6X12 | 5 | |
| 13 93404-06020-07 | 0.80 | BOLT WASHER 6X20 | 2 | |
| 14 94050-05080 | 0.80 | FLANGE NUT 5MM | 1 | |

※ Please check the color & stripe information according to the color index !

TEAMWORLD IND. 2012.04

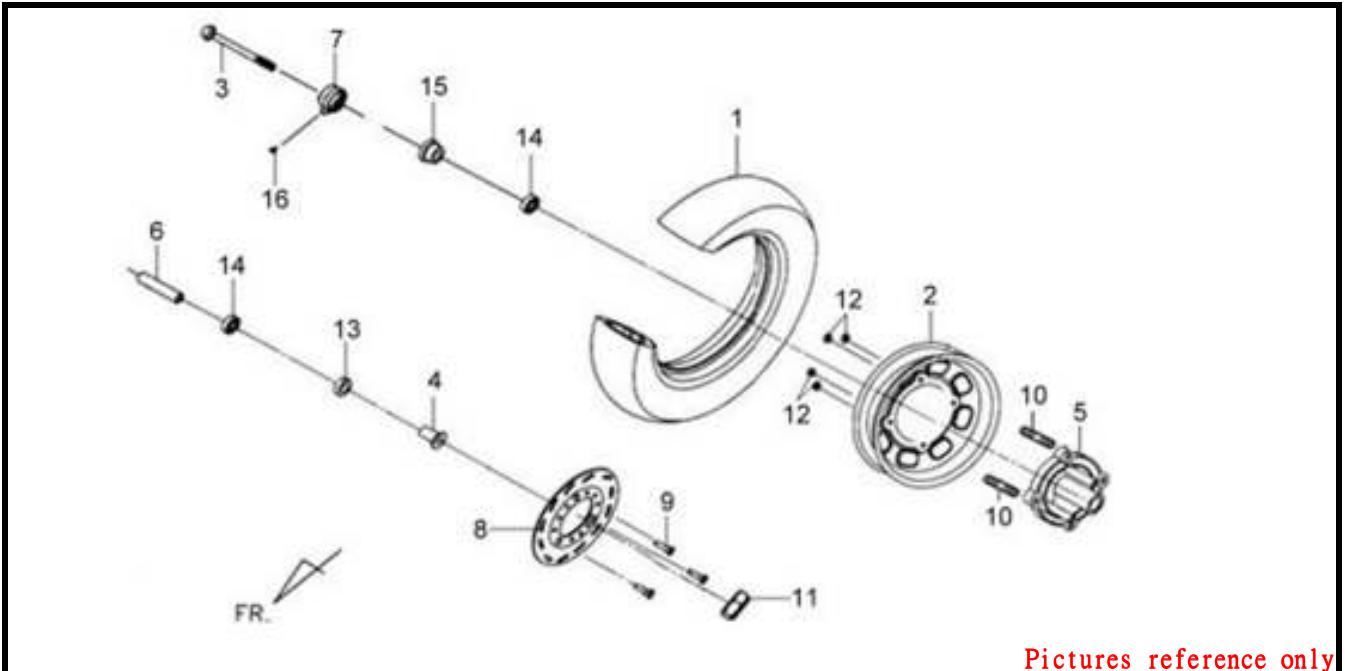


Pictures reference only

| PARTS NUMBER | SELLING PRICE (RM/PCS) | DESCRIPTION | QTY | EFFECTIVE DATE |
|-----------------|------------------------|------------------------|-----|----------------|
| 1 50613-A7A-000 | 10.70 | R.PILLION STEP BRACKET | 1 | |
| 2 50614-A8A-000 | 12.10 | LH. PILLION STEP BRKT. | 1 | |
| 3 50710-A7A-000 | 47.90 | R. PILLION STEP ASSY | 1 | |
| 4 50715-A7A-000 | 30.80 | R. PILLION STEP | 1 | |
| 5 50718-A7A-000 | 30.80 | L. PILLION STEP | 1 | |
| 6 50720-A8A-000 | 46.30 | L. PILLION STEP ASSY | 1 | |
| 7 94050-06080 | 1.00 | FLANGE NUT 6MM | 4 | |

※ Please check the color & stripe information according to the color index !

TEAMWORLD IND. 2012.04

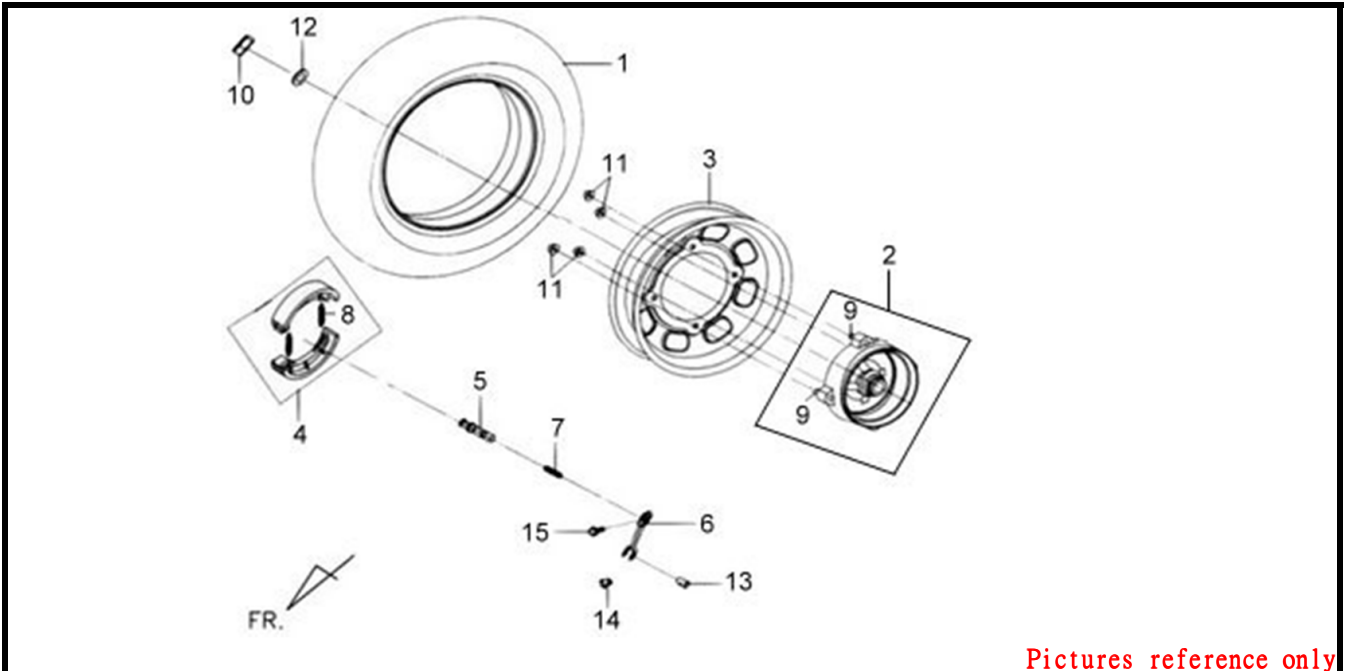


Pictures reference only

| PARTS NUMBER | SELLING PRICE (RM/PCS) | DESCRIPTION | QTY | EFFECTIVE DATE |
|---------------------|------------------------|----------------------------------|-----|----------------|
| 1 1T0190108-310A | 116.60 | TIRE ASSY 90/90-108PR#310A | 1 | |
| 2 42702-F3G-000-SH | 132.00 | WHEEL RIM COMP (S877C) | 1 | |
| 3 44301-GW0-910 | 12.10 | FR. AXLE WHEEL | 1 | |
| 4 44311-GW0-910 | 6.10 | COLLAR FR. WHEEL SIDE | 1 | |
| 5 44601-F02-000-SH | 126.80 | FR. HUB. COMP. (S-877C) | 1 | |
| 6 44620-GW0-910 | 4.10 | FR. AXLE DISTANCE COLLAR | 1 | |
| 7 44800-KBN-900-SG | 63.80 | SPEEDOMETER GEAR BOX ASSY(S-010) | 1 | |
| 8 45121-M9Q-003 | 130.20 | FR. BRAKE DISK φ160 | 1 | |
| 9 90105-KR3-000 | 4.10 | FR. DISK BOLT 8X24 | 3 | |
| 10 90110-KG8-900 | 3.30 | BOLT STUD II 8X22 | 2 | |
| 11 90306-M9Q-000 | 6.10 | SELF LOCK NUT 12MM | 1 | |
| 12 90309-M9Q-000 | 3.10 | NUT FLANGE 8MM-12 | 4 | |
| 13 90754-M9Q-000-M2 | 2.50 | DUST SEAL 20X32X5 | 1 | |
| 14 90912-M9Q-000-M1 | 11.00 | BEARING 6201LU/2A | 2 | |
| 15 91258-M9Q-000-M2 | 4.10 | SPEEDOMETER GEAR BOX SEAL | 1 | |
| 16 93700-05018-0A | 0.80 | SCREW OVAL 5X18 | 1 | |

※ Please check the color & stripe information according to the color index !

 TEAMWORLD IND. 2012.04

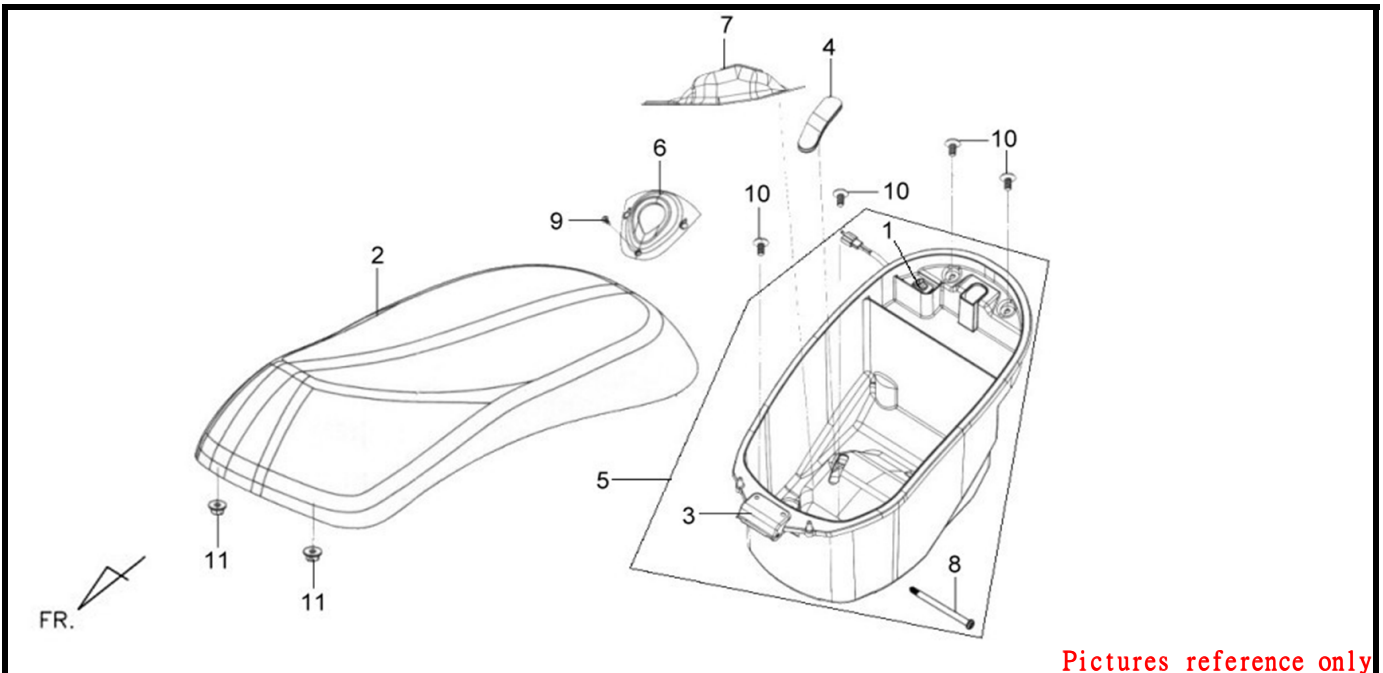


Pictures reference only

| PARTS NUMBER | SELLING PRICE (RM/PCS) | DESCRIPTION | QTY | EFFECTIVE DATE |
|--------------------|------------------------|----------------------------|-----|----------------|
| 1 42610-GY6-920-SH | 93.40 | RR. WHEEL HUB ASSY(S-877C) | 1 | |
| 2 1T0190108-310A | 116.60 | TIRE ASSY 90-90-108PR#310A | 1 | |
| 3 42705-M9Q-000-SH | 139.60 | RR WHEEL RIM COMP | 1 | |
| 4 4312A-E60-900 | 27.50 | BRAKE SHOE ASSY. | 1 | |
| 5 4314A-GA1-000 | 13.70 | RR. BRAKE CAM ASSY | 1 | |
| 6 43410-A3A-000 | 10.20 | RR. BRAKE ARM | 1 | |
| 7 43472-KG8-000 | 1.00 | RR. BRAKE ARM SPRING | 1 | |
| 8 45133-M9Q-800 | 1.10 | BRAKE SHOE SPRING | 2 | |
| 9 90110-M9Q-300 | 2.00 | BOLT STUD 8X22 | 2 | |
| 10 90305-M9Q-900 | 10.20 | U NUT 16 MM | 1 | |
| 11 90309-M9Q-000 | 3.10 | NUT FLANGE 8MM-12 | 4 | |
| 12 90501-M9Q-000 | 4.10 | WASHER 16MM | 1 | |
| 13 95015-32001 | 1.00 | BRAKE ARM JOINT B | 1 | |
| 14 95015-42000 | 4.30 | ADJUST NUT B | 1 | |
| 15 95801-08032-08 | 1.00 | FLANGE BOLT 8X32 | 1 | |

※ Please check the color & stripe information according to the color index !

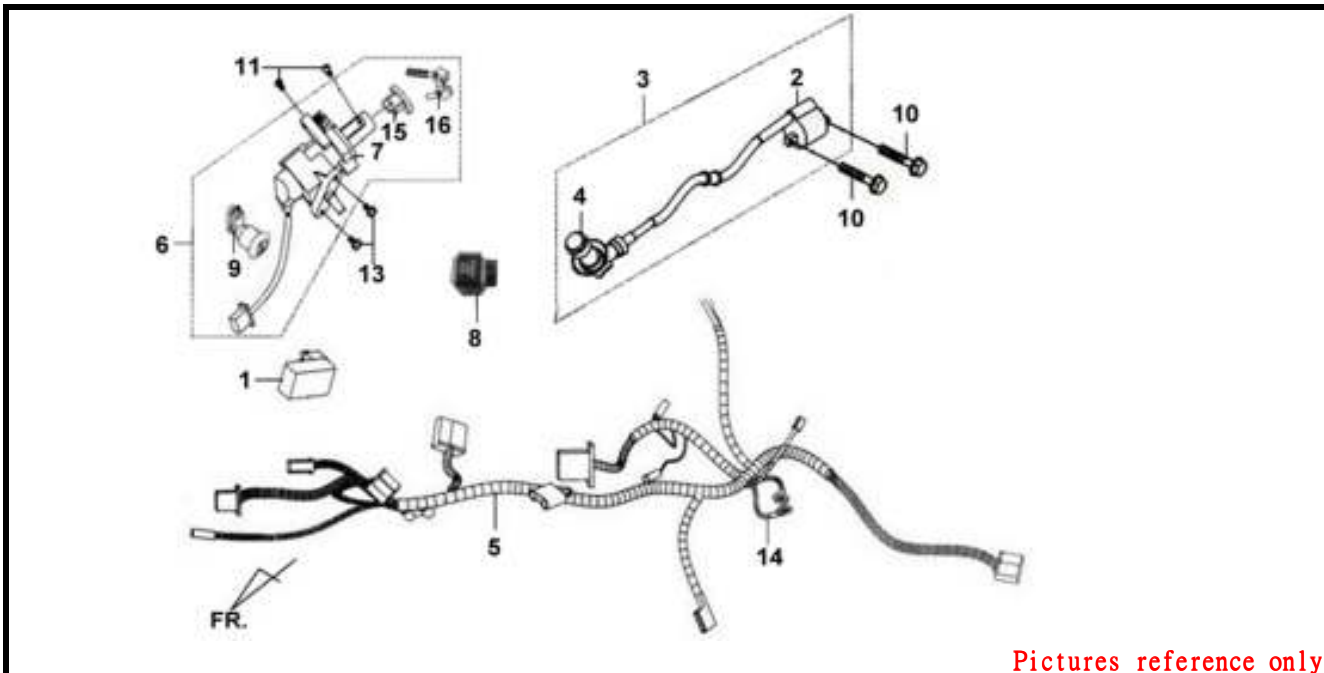
TEAMWORLD IND. 2012.04



| PARTS NUMBER | SELLING PRICE (RM/PCS) | DESCRIPTION | QTY | EFFECTIVE DATE | |
|------------------------|------------------------|--------------------------------------|-----|----------------|---|
| 1 36600-A1A-010 | 17.10 | ENG.START CONTROL SW | 1 | | |
| 1 36600-A1A-200 | 18.90 | ENG.START CONTROL SW | 1 | 2013/10/1 | Y |
| 2 77200-A7A-000-T5 | 167.90 | DOUBLE SEAT COMP(GREY/WHITE) | 1 | | |
| 2 77200-A7A-000-T6 | 167.90 | DOUBLE SEAT COMP TYPE6(COFFEE/WHITE) | 1 | | |
| 3 77201-T36-000 | 5.80 | SEAT HINGE SET | 1 | | |
| 4 81251-A1A-000 | 4.10 | CARB. MAIN COVER | 1 | | |
| 5 8125A-A8D-000 | 137.10 | LUGGAGE BOX ASSY | 1 | | |
| 6 81500-A7A-000 | 37.70 | TANK CAP COVER BK-001U | 1 | | |
| 7 83630-A7A-000 | 30.80 | LUGGAGE BOX MAT | 1 | | |
| 8 90105-T36-000 | 3.10 | HINGE PIN | 1 | | |
| 9 90118-T15-000 | 0.80 | SCREW WASHER 5X14(COLORFUL | 1 | | |
| 10 93404-06012-07 | 0.80 | WASHER BOLT 6X12 | 4 | | |
| 11 94050-06080 | 1.00 | FLANGE NUT 6MM | 2 | | |

※ Please check the color & stripe information according to the color index !

TEAMWORLD IND. 2012.04

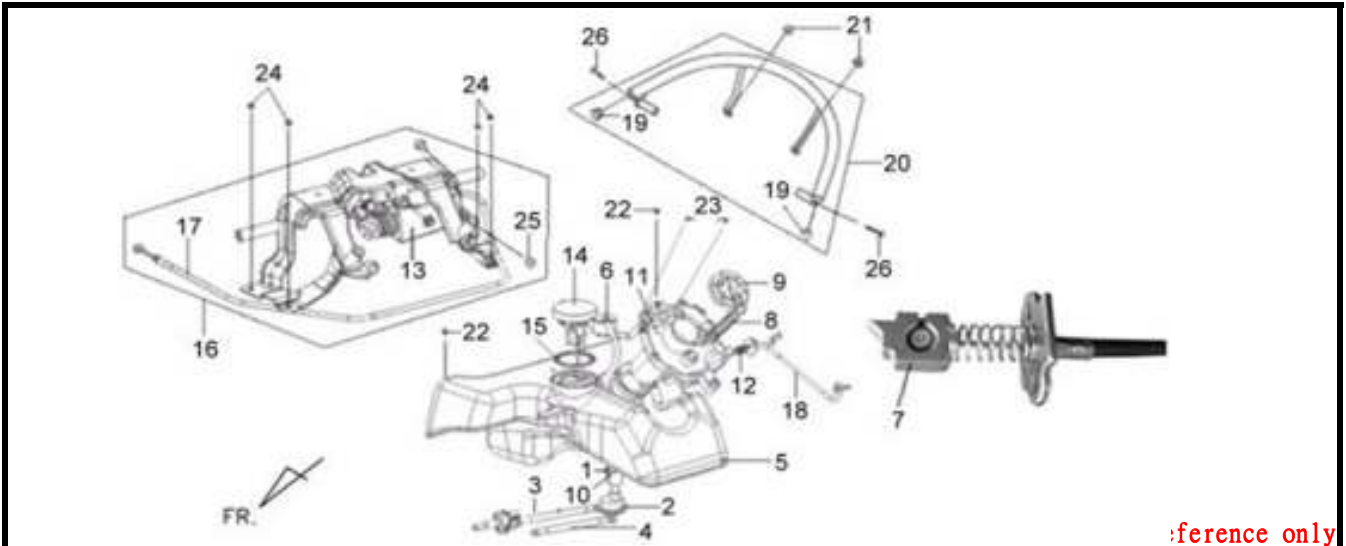


Pictures reference only

| PARTS NUMBER | SELLING PRICE (RM/PCS) | DESCRIPTION | QTY | EFFECTIVE DATE |
|--------------------------------|------------------------|-----------------------|-----|----------------|
| 1 30410-A5A-000 | 92.50 | C.D.I UNIT COMP | 1 | |
| 2 30510-A1A-000 | 41.10 | IGNITION COIL COMP. | 1 | |
| 3 3051A-A1A-000 | 51.40 | IGNITION COIL ASSY | 1 | |
| 4 30700-GY6-000 | 15.40 | PULG CAP | 1 | |
| 5 32100-A8D-010 | 188.50 | WIRE HARNESS | 1 | |
| 6 35010-A8D-010 | 181.60 | KEY SET | 1 | |
| 7 35100-A8D-010 | 113.10 | COMB. SW. & LOCK ASSY | 1 | |
| 8 38500-GW3-920 | 39.40 | START RELAY ASSY | 1 | |
| 9 77239-T53-000 | 24.00 | KEY SEAT LOCK | 1 | |
| 10 92101-05020-0H | 0.80 | HEX BOLT 5X20 | 2 | |
| 11 93892-05012-08 | 2.50 | WASHER SCREW 5X12 | 2 | |
| 13 96001-06016-00 | 0.70 | FLANGE BOLT SH 6X16 | 2 | |
| 14 32106-A3M-000 | 12.10 | SUB. CORD | 1 | |
| 15 35110-HA1-010-A01/20-B01/20 | | SHUTTER COMP | 1 | |
| 16 35111-A8D-000-A/B | 32.60 | KEY | 1 | |

※ Please check the color & stripe information according to the color index !

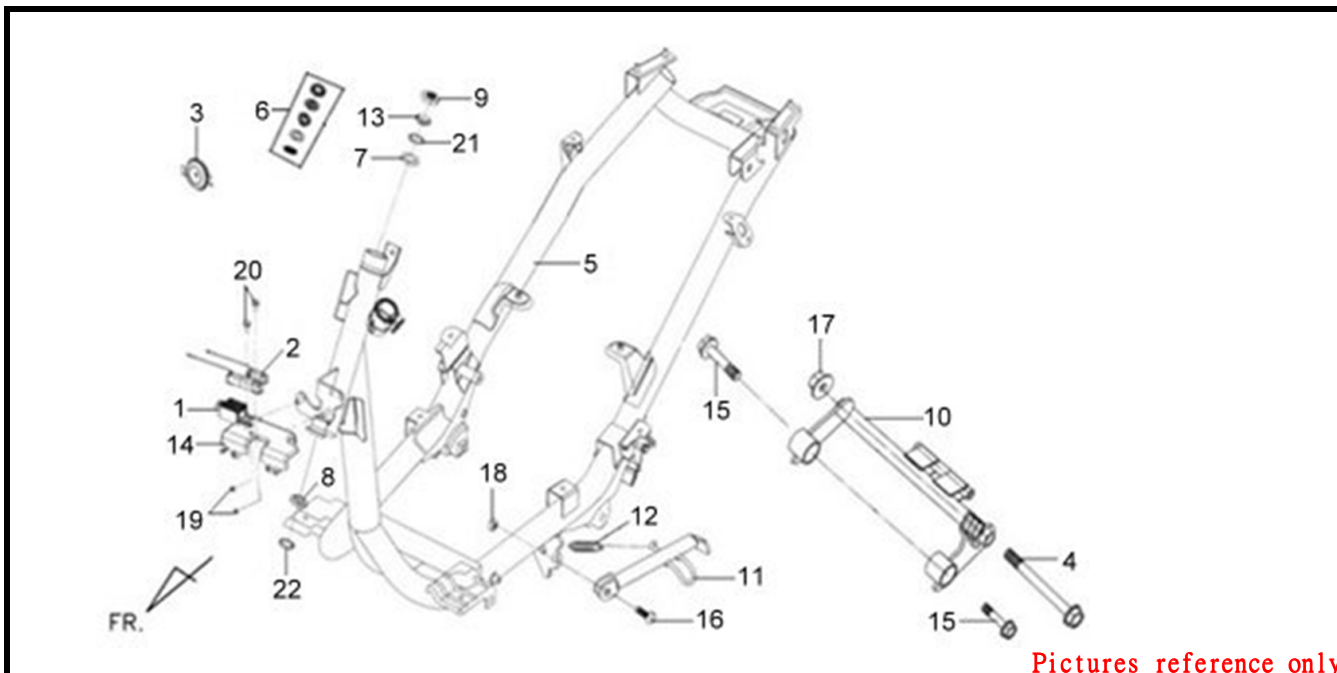
TEAMWORLD IND. 2012.04



| PARTS NUMBER | SELLING PRICE (RM/PCS) | DESCRIPTION | QTY | EFFECTIVE DATE |
|-------------------|------------------------|-----------------------|-----|----------------|
| 1 17369-A1A-000 | 5.20 | BREATHER TUBE CLIP | 1 | |
| 2 16950-A1A-000 | 34.40 | FUEL COCK COMP. | 1 | |
| 3 16952-A1A-000 | 9.30 | CARB.AUTO COCK TUBE | 1 | |
| 4 16953-A1A-000 | 9.30 | 3WAY AUTO COCK TUBE | 1 | |
| 5 17500-A7A-000 | 116.50 | FUEL TANK COMP | 1 | |
| 6 17581-A7A-000 | 34.40 | FUEL CUT VALVE | 1 | |
| 7 17623-H6T-000 | 15.40 | FUEL CAP CATCH SLIDE | 1 | |
| 8 17624-A1A-000 | 1.70 | FUEL CAP POST SPRING | 1 | |
| 9 1762A-A7E-000 | 61.70 | FUEL CAP ASSY. | 1 | |
| 10 17652-A1A-000 | 3.30 | AUTO COCK TUBE | 1 | |
| 11 17660-A7A-000 | 34.40 | FILLER PIPE COMP. | 1 | |
| 12 17667-TAA-900 | 1.00 | RETURN SPRING | 1 | |
| 13 35870-A8B-000 | 68.50 | DC SOLENOID ASSY | 1 | |
| 14 37800-A7A-000 | 44.60 | FUEL UNIT ASSY | 1 | |
| 15 37801-P6A-000 | 3.10 | BASE PACKING | 1 | |
| 16 50150-A7E-000 | 171.40 | RR CARRIER BRKT ASSY. | 1 | |
| 17 77240-A1A-000 | 12.10 | SEAT LOCK CABLE COMP | 1 | |
| 18 77245-A7A-000 | 24.00 | FUEL CAP LOCK CABLE | 1 | |
| 19 81205-A7A-000 | 1.70 | END CAP | 2 | |
| 20 8120A-A8D-900 | 116.50 | RR. GRIP ASSY | 1 | |
| 21 90201-A7A-000 | 1.70 | CAP NUT | 2 | |
| 22 93404-06016-08 | 0.80 | BOLT WASHER 6X16 | 2 | |
| 23 93903-34320 | 0.60 | TAPPING SCREW 4X12 | 2 | |
| 24 94050-06080 | 1.00 | FLANGE NUT 6MM | 4 | |
| 25 95801-06012-08 | 0.80 | FLANGE BOLT 6X12 | 1 | |
| 26 95801-06045-02 | 1.70 | FLANGE BOLT 6X45 | 2 | |

※ Please check the color & stripe information according to the color index !

PRICE SHOWN IS PER PIECE. Product image price are approximate guide only.
Prices shown are subject to change without prior notice.



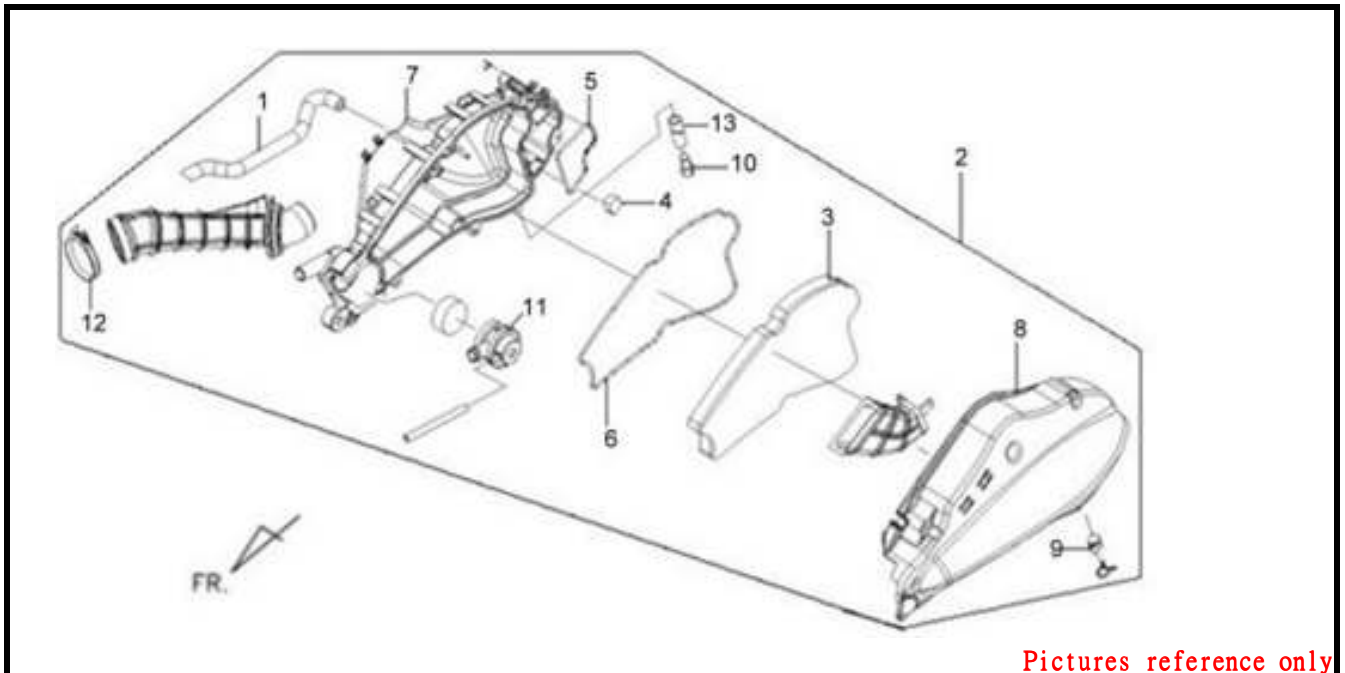
Pictures reference only

| PARTS NUMBER | SELLING PRICE (RM/PCS) | DESCRIPTION | QTY | EFFECTIVE DATE |
|-------------------------|------------------------|------------------------------|-----|----------------|
| 1 31600-A39-000 | 51.40 | REG. REC. COMP | 1 | |
| 2 35400-A31-000 | 22.30 | RESISTOR COMP. | 1 | |
| 3 38110-A1A-000 | 20.60 | HORN COMP | 1 | |
| 4 44301-A31-000 | 8.60 | FLANGE BOLT | 1 | |
| 5 5010N-A8D-000 | | FRAME NUMBER COMP | 1 | |
| 6 50300-M9Q-000 | 34.40 | BALL RACE SET | 1 | |
| 7 50301-M9Q-000 | 10.20 | RACE UP STRG BALL | 1 | |
| 8 50305-M7Q-000 | 7.50 | STRG.UNDER BALL RACE | 1 | |
| 9 50306-M9Q-000 | 5.50 | STRG. STEM LOCK NUT(MZ→SY) | 1 | |
| 10 50350-A5A-000 | 116.50 | ENG. HANGER ASSY. | 1 | |
| 11 50530-A8D-000 | 20.60 | SIDE STAND COMP | 1 | |
| 12 50535-E60-000 | 10.20 | SIDE STAND SPRING ASSY | 1 | |
| 13 53211-M9Q-000 | 8.60 | RACE STRG TOP CONE | 1 | |
| 14 64315-A7A-002 | 29.10 | FR. COVER STAY COMP | 1 | |
| 15 90106-M9Q-900 | 2.80 | FLANGE BOLT 10X55 | 2 | |
| 16 90108-M9Q-000 | 1.90 | SIDE STAND SCREW | 1 | |
| 17 90304-M9Q-000 | 4.80 | NUT U FLANGE 10MM | 1 | |
| 18 94030-08080 | 0.40 | HEX NUT 8MM | 1 | |
| 19 94050-06080 | 1.00 | FLANGE NUT 6MM | 2 | |
| 20 95801-06012-08 | 0.80 | FLANGE BOLT 6X12 | 2 | |
| 20 90110-FYA-000 | 1.70 | FLANGE BOLT 6X14 | 1 | 2012/5/1 |
| 21 96211-05000 | 0.80 | STEEL BALL #5(3.969MM 5/32") | 25 | |
| 22 96211-05000 | 0.80 | STEEL BALL #5(3.969MM 5/32") | 30 | |

※ Please check the color & stripe information according to the color index !

TEAMWORLD IND 2012.04

PRICE SHOWN IS PER PIECE. Product image price are approximate guide only.
Prices shown are subject to change without prior notice.

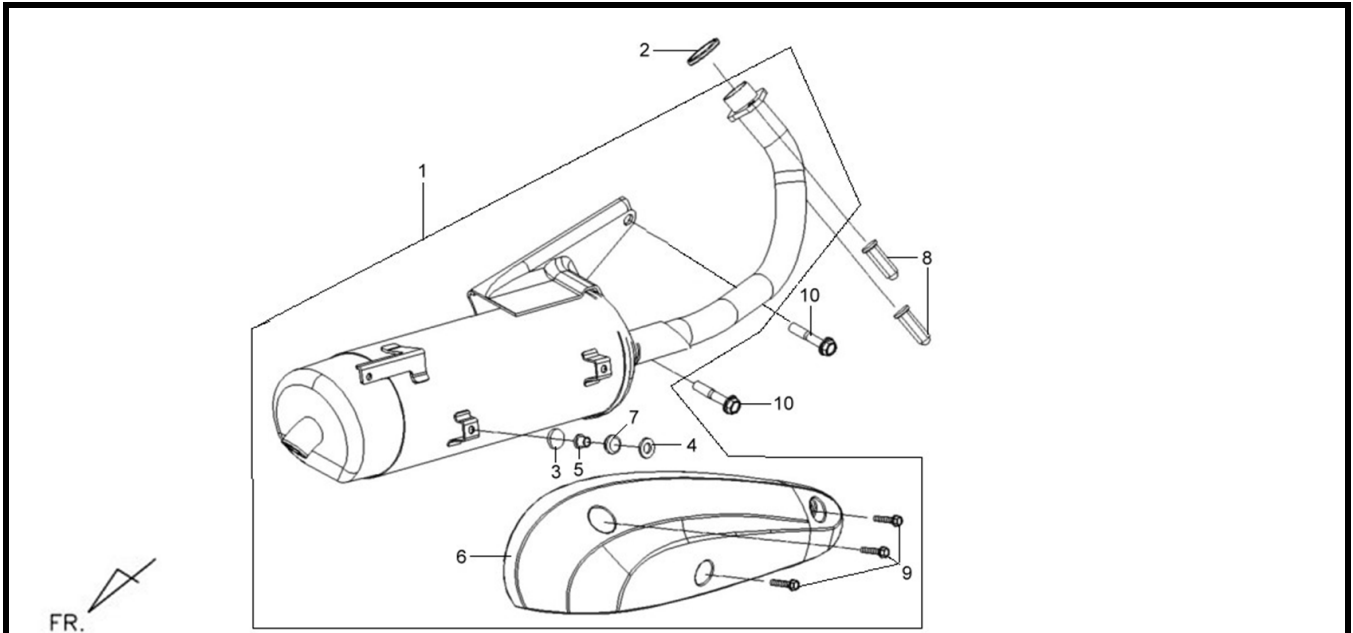


Pictures reference only

| PARTS NUMBER | SELLING PRICE (RM/PCS) | DESCRIPTION | QTY | EFFECTIVE DATE |
|-------------------|------------------------|-------------------------|-----|----------------|
| 1 11221-M9Q-000 | 7.20 | MISSION BREATHER TUBE | 1 | |
| 2 17200-A8D-000 | 219.40 | AIR/C ASSY | 1 | |
| 3 17205-A7A-000 | 17.10 | AIR/C ELEMENT | 1 | |
| 4 17209-A7A-000 | 3.30 | ELEMENT A | 1 | |
| 5 17214-A7A-000 | 6.90 | AIR/C CASE SEAL A | 1 | |
| 6 17215-A7A-000 | 6.10 | AIR/C COVER SEAL A | 1 | |
| 7 17230-A7A-000 | 41.10 | AIR/C CASE COMP. | 1 | |
| 8 17231-A8D-000 | 34.40 | AIR/C COVER COMP. | 1 | |
| 9 17239-A1A-000 | 5.50 | TUBE AIR/C DRAIN | 1 | |
| 10 17370-M9Q-000 | 3.30 | PLUG,BREATHER TUBE. | 1 | |
| 11 18650-A1A-000 | 56.60 | A.I.C.V. COMP. | 1 | |
| 12 90652-M8Q-000 | 8.60 | AIR/C CONN.TUBE BAND 46 | 1 | |
| 13 95003-23017-60 | 2.80 | V TUBE | 1 | |

※ Please check the color & stripe information according to the color index !

TEAMWORLD IND. 2012.04



Pictures reference only

| PARTS NUMBER | SELLING PRICE (RM/PCS) | DESCRIPTION | QTY | EFFECTIVE DATE |
|-------------------|------------------------|-----------------------------|-----|----------------|
| 1 18000-A8A-010 | 628.40 | EXH. MUFFLER ASSY(CATALYST) | 1 | |
| 2 18291-GE2-920 | 4.10 | EXH. PIPE GASKET | 1 | |
| 3 18292-F3E-000 | 4.10 | PROTECTOR PACKING A | 3 | |
| 4 18293-F3E-000 | 1.00 | PROTECTOR PACKING | 3 | |
| 5 18295-F3E-000 | 2.80 | COLLAR M6 | 3 | |
| 6 18318-A7A-000 | 29.10 | MUFFLER PROTECTOR | 1 | |
| 7 18320-F3E-000 | 2.50 | PROTECTOR RUBBER | 3 | |
| 8 90301-M9Q-000 | 5.20 | OPENSTAY NUT 6MM | 2 | |
| 9 93401-06022-07 | 1.00 | WASHER BOLT 6X22 | 3 | |
| 10 95801-08038-07 | 2.00 | FLANGE BOLT 8X38 | 2 | |

※ Please check the color & stripe information according to the color index !

TEAMWORLD IND. 2012.04

| PARTS NO. | NO. | PARTS NO. | NO. | PARTS NO. | NO. |
|-----------------|-----|------------------|-----|---------------|-----|
| 11000 | | 13201-A31-000 | E05 | 16952-A1A-000 | F14 |
| 11100-A3K-000 | E06 | 1320A-A31-000 | E05 | 16953-A1A-000 | F14 |
| 11102-M9Q-300 | E08 | 13371-A31-300 | E05 | 17000 | |
| 11192-A3F-000 | E08 | 13380-A31-300 | E05 | 1711A-A5A-000 | E15 |
| 11200-A8C-000 | E08 | 14000 | | 17200-A8D-000 | F16 |
| 11202-M92-000 | E08 | 14100-A3G-000 | E03 | 17205-A7A-000 | F16 |
| 11203-GC7-300 | E06 | 14105-A31-000 | E03 | 17209-A7A-000 | F16 |
| 11203-GC7-300 | E08 | 14105-X01-000 | E03 | 17214-A7A-000 | F16 |
| 11204-A3F-300 | E08 | 14108-M36-000 | E03 | 17215-A7A-000 | F16 |
| 11205-A5A-002 | E06 | 14311-M9Q-300 | E05 | 17230-A7A-000 | F16 |
| 11205-A5A-002 | E08 | 14431-A3G-000 | E03 | 17231-A8D-000 | F16 |
| 1120A-V01-000 | E08 | 1443A-A3G-000 | E03 | 17239-A1A-000 | F16 |
| 11221-M9Q-000 | E08 | 14451-A3G-000 | E03 | 17369-A1A-000 | F14 |
| 11221-M9Q-000 | F16 | 14457-A3G-000 | E03 | 17370-M9Q-000 | F16 |
| 11331-A3K-000 | E10 | 14510-A31-000 | E04 | 17500-A7A-000 | F14 |
| 11339-A3G-000 | E10 | 14520-H6T-000 | E04 | 17581-A7A-000 | F14 |
| 11339-A3G-000 | F08 | 14523-M9Q-000 | E04 | 17623-H6T-000 | F14 |
| 11341-A5A-000 | E14 | 1453A-V02-000 | E04 | 17624-A1A-000 | F14 |
| 11342-A5A-000 | E14 | 14610-A31-000 | E04 | 1762A-A7E-000 | F14 |
| 11343-A5A-000 | E14 | 14711-A3G-000 | E03 | 17652-A1A-000 | F14 |
| 11344-A3F-000 | E14 | 14721-A3G-000 | E03 | 17660-A7A-000 | F14 |
| 11345-A3F-000 | E14 | 14751-A3G-000 | E03 | 17667-TAA-900 | F14 |
| 1134A-A5A-000 | E14 | 14771-GB4-680 | E03 | 17910-A8A-000 | F02 |
| 11394-A3F-000 | E10 | 14775-M9Q-000 | E03 | 18000 | |
| 11396-A5A-000 | E14 | 14781-M9Q-000-A | E03 | 18000-A8A-010 | F17 |
| 12000 | | 15000 | | 18241-A5A-000 | E02 |
| 12100-A3A-000-A | E04 | 15100-A3F-000 | E11 | 18291-GE2-920 | F17 |
| 12101-A3A-000 | E04 | 15131-M92-300 | E13 | 18292-F3E-000 | F17 |
| 12191-A31-900 | E04 | 15421-B9D-000 | E10 | 18293-F3E-000 | F17 |
| 12200-A3G-010 | E03 | 15426-GE1-920 | E10 | 18295-F3E-000 | F17 |
| 12209-H6B-900 | E03 | 15514-A31-000 | E03 | 18318-A7A-000 | F17 |
| 12251-A31-000 | E03 | 1565A-A5A-000 | E10 | 18320-F3E-000 | F17 |
| 12300-A31-000 | E03 | 16000 | | 18650-A1A-000 | F16 |
| 1236A-A31-000 | E03 | 16046-A8A-000 | E15 | 19000 | |
| 1236A-V02-000 | E10 | 16100-A8D-000-01 | E15 | 19510-GW2-900 | E02 |
| 13000 | | 16101-A3M-000 | E15 | 19610-A31-010 | E02 |
| 13000-A5A-000 | E05 | 16201-A3G-000 | E15 | 19613-M9Q-000 | E02 |
| 13010-A3A-000 | E04 | 16211-A3G-010 | E15 | 19625-A31-000 | E01 |
| 13101-A3G-000 | E04 | 1621-883-2000 | E15 | 1962A-A3M-000 | E01 |
| 13111-A31-000 | E05 | 16950-A1A-000 | F14 | 19635-A31-000 | E01 |

PRICE SHOWN IS PER PIECE. Product image price are approximate guide only.
Prices shown are subject to change without prior notice.

| PARTS NO. | NO. | PARTS NO. | NO. | PARTS NO. | NO. |
|-----------------|-----|---------------|-----|---------------------|-----|
| 1963A-A31-010 | E01 | 28230-A1A-000 | E14 | 34906-M70-000 | F03 |
| 21000 | | 2823A-A1A-000 | E14 | 34908-M9Q-100 | F04 |
| 21301-A3K-000 | E07 | 28250-A5A-000 | E14 | 35000 | |
| 21395-A31-000 | E07 | 28253-M7Q-000 | E14 | 35010-A8D-010 | F13 |
| 22000 | | 28281-A1A-000 | E14 | 35100-A8D-010 | F13 |
| 22000-A5A-000 | E09 | 28300-A5C-000 | E14 | 35110-HA1-010-A01/2 | F13 |
| 22100-A31-000 | E09 | 30000 | | 35111-A8D-000-A01/2 | F13 |
| 22102-A31-310 | E09 | 30410-A5A-000 | F13 | 35150-A8B-000 | F02 |
| 22105-A3G-000 | E09 | 30510-A1A-000 | F13 | 35200-A8B-000-TW | F02 |
| 22110-A3G-000 | E09 | 3051A-A1A-000 | F13 | 35340-F3C-001 | F02 |
| 22121-A1A-000-A | E09 | 30700-GY6-000 | F13 | 35340-KBN-900 | F02 |
| 22131-A3G-000 | E09 | 31000 | | 35400-A31-000 | F15 |
| 22132-A5C-000-A | E09 | 31110-A31-600 | E02 | 35870-A8B-000 | F14 |
| 22300-A3L-000 | E09 | 31120-A8D-000 | E02 | 36000 | |
| 22401-A3G-000 | E09 | 31200-A5A-000 | E12 | 36600-A1A-010 | F12 |
| 23000 | | 31600-A39-000 | F15 | 37000 | |
| 23010-A3L-000 | E09 | 32000 | | 37200-A8D-000 | F01 |
| 23210-A3G-000 | E09 | 32100-A8D-010 | F13 | 37210-A7A-000 | F01 |
| 23220-A3G-000 | E09 | 32106-A3M-000 | F13 | 37230-A8A-000 | F04 |
| 23225-GW3-000 | E09 | 32106-KBN-900 | F02 | 37800-A7A-000 | F14 |
| 23226-GW3-000 | E09 | 32961-A3F-010 | E10 | 37801-P6A-000 | F14 |
| 23233-GW3-010 | E09 | 33000 | | 38000 | |
| 23237-A3G-000 | E09 | 33100-A8D-000 | F04 | 38110-A1A-000 | F15 |
| 23239-ADB-000 | E09 | 33107-A7A-000 | F04 | 38300-T53-010 | F04 |
| 23411-A3G-001 | E07 | 33400-A8D-000 | F06 | 38500-GW3-920 | F13 |
| 23420-A3G-001 | E07 | 33402-A8D-000 | F06 | 3850A-HLA-010 | F04 |
| 23431-M9Q-000 | E07 | 33450-A8D-000 | F06 | 38900-A3M-000 | E15 |
| 23432-H6T-000 | E07 | 33452-A8D-000 | F06 | 42000 | |
| 2343A-A8A-000 | E07 | 33600-A8D-000 | F03 | 42610-GY6-920-SH | F11 |
| 28000 | | 33602-A8D-000 | F03 | 42702-F3G-000-SH | F10 |
| 28101-A3F-000 | E10 | 33650-A8D-000 | F03 | 42705-M9Q-000-SH | F11 |
| 28102-A3F-000 | E10 | 33652-A8D-000 | F03 | 43000 | |
| 28110-A3F-000 | E13 | 33700-A7M-000 | F03 | 4312A-E60-900 | F11 |
| 28120-M9Q-000 | E13 | 33702-A7W-000 | F03 | 4314A-GA1-000 | F11 |
| 28124-M9Q-000 | E13 | 33741-M9A-000 | F08 | 43410-A3A-000 | F11 |
| 28125-A3F-000 | E13 | 34000 | | 43450-A8A-000 | F02 |
| 28126-M9Q-000 | E13 | 34901-M91-010 | F04 | 43472-KG8-000 | F11 |
| 2812A-A3F-000 | E13 | 34905-A8D-000 | F03 | 44000 | |
| 28211-A5U-000 | E09 | 34905-A8D-000 | F06 | 44301-A31-000 | F15 |
| 28223-KBN-900 | E14 | 34905-A8D-000 | F06 | 44301-GW0-910 | F10 |

PRICE SHOWN IS PER PIECE. Product image price are approximate guide only.
Prices shown are subject to change without prior notice.

| PARTS NO. | NO. | PARTS NO. | NO. | PARTS NO. | NO. |
|------------------|-----|------------------|-----|-------------------|-----|
| 44311-GW0-910 | F10 | 51500-A3G-001 | F05 | 64420-A7A-000-VJ | F06 |
| 44601-F02-000-SH | F10 | 52000 | | 70000 | |
| 44620-GW0-910 | F10 | 52400-A1A-000 | F07 | 70529-M9Q-000 | F08 |
| 44800-KBN-900-SG | F10 | 53000 | | 75000 | |
| 44830-T47-000 | F01 | 53100-A8B-900 | F02 | 75581-T53-000 | F03 |
| 45000 | | 53125-M9Q-000 | F02 | 77000 | |
| 45100-A7E-000 | F02 | 53140-A7A-700-KA | F02 | 77200-A7A-000-T5 | F12 |
| 45105-GM9-743-A | F02 | 53166-TAA-700-KA | F02 | 77200-A7A-000-T6 | F12 |
| 45121-M9Q-003 | F10 | 53174-TDE-000 | F02 | 77201-T36-000 | F12 |
| 45126-A8B-000 | F02 | 53175-A8B-000 | F02 | 77236-HAA-000 | F03 |
| 45133-M9Q-800 | F11 | 53178-F3C-000 | F02 | 77239-T53-000 | F03 |
| 45156-A8B-000 | F05 | 53200-A8B-000 | F05 | 77239-T53-000 | F13 |
| 45500-A8B-000 | F02 | 53206-A7A-000-KA | F01 | 77240-A1A-000 | F14 |
| 45517-A8B-000 | F02 | 5320G-A7E-000-KV | F01 | 77245-A7A-000 | F14 |
| 50000 | | 5320G-A7E-000-QA | F01 | 80000 | |
| 5010N-A8D-000 | F15 | 53211-M9Q-000 | F15 | 80105-A1A-000 | F08 |
| 50130-X04-000 | E01 | 53212-M7Q-000 | F05 | 80106-A5A-000 | F08 |
| 50150-A7E-000 | F14 | 61000 | | 8010A-A8D-000-KA | F08 |
| 50300-M9Q-000 | F15 | 61100-A7A-000-KV | F05 | 8010B-A5A-000 | F08 |
| 50301-M9Q-000 | F15 | 61100-A7A-000-QA | F05 | 80151-A7A-000-KA | F07 |
| 50305-M7Q-000 | F15 | 61101-A7A-000 | F05 | 81000 | |
| 50306-M9Q-000 | F15 | 61104-A7A-000 | F05 | 81131-A7A-000-KA | F04 |
| 50326-A7A-000-KA | F07 | 64000 | | 81132-M7Q-000-KA | F04 |
| 50350-A5A-000 | F15 | 6430G-A7C-000-KV | F04 | 81205-A7A-000 | F14 |
| 50500-A5C-000 | F05 | 6430G-A7C-000-QA | F04 | 8120A-A8D-900 | F14 |
| 50503-A5C-000 | F05 | 6430G-A8A-600-AI | F06 | 81251-A1A-000 | F12 |
| 50504-A5C-000 | F05 | 6430G-A8A-600-QA | F06 | 8125A-A8D-000 | F12 |
| 50505-E60-000 | F05 | 6430G-A8A-600-VI | F06 | 81500-A7A-000 | F12 |
| 50530-A8D-000 | F15 | 6430G-A8A-600-VJ | F06 | 83000 | |
| 50535-E60-000 | F15 | 64310-A7A-000-KA | F04 | 8350G-A8A-600-AI6 | F03 |
| 50612-F02-010-KA | F04 | 64315-A7A-002 | F15 | 8350G-A8A-600-KV6 | F03 |
| 50613-A1A-000 | F08 | 64318-H6B-010-KA | F04 | 8350G-A8A-600-VI6 | F03 |
| 50613-A7A-000 | F09 | 64320-A7B-000-KA | F04 | 8350G-A8A-600-VJ6 | F03 |
| 50614-A8A-000 | F09 | 64410-A7A-000-AI | F06 | 83520-A7A-000-AI | F07 |
| 50710-A7A-000 | F09 | 64410-A7A-000-QA | F06 | 83520-A7A-000-QA | F07 |
| 50715-A7A-000 | F09 | 64410-A7A-000-VI | F06 | 83520-A7A-000-VI | F07 |
| 50718-A7A-000 | F09 | 64410-A7A-000-VJ | F06 | 83520-A7A-000-VJ | F07 |
| 50720-A8A-000 | F09 | 64420-A7A-000-AI | F06 | 8360G-A8A-600-AI6 | F03 |
| 51000 | | 64420-A7A-000-QA | F06 | 8360G-A8A-600-KV6 | F03 |
| 51400-A3G-001 | F05 | 64420-A7A-000-VI | F06 | 8360G-A8A-600-VI6 | F03 |

PRICE SHOWN IS PER PIECE. Product image price are approximate guide only.
Prices shown are subject to change without prior notice.

| PARTS NO. | NO. | PARTS NO. | NO. | PARTS NO. | NO. |
|-------------------|-----|---------------|-----|------------------|-----|
| 8360G-A8A-600-VJ6 | F03 | 90032-M36-000 | E04 | 90443-M36-000 | E03 |
| 83620-A7A-000-AI | F07 | 90083-X01-000 | E03 | 90451-M7Q-000 | E14 |
| 83620-A7A-000-QA | F07 | 90103-KN8-000 | E07 | 90474-M9Q-000 | E07 |
| 83620-A7A-000-VI | F07 | 90105-KR3-000 | F10 | 90501-M9Q-000 | F11 |
| 83620-A7A-000-VJ | F07 | 90105-T36-000 | F12 | 90545-M9Q-000 | F02 |
| 83630-A7A-000 | F12 | 90106-M9Q-900 | F15 | 90652-G03-000 | E15 |
| 83751-A7A-010-KA | F03 | 90106-TAA-000 | F02 | 90652-M8Q-000 | F16 |
| 84000 | | 90108-M9Q-000 | F15 | 90703-M8Q-000 | E03 |
| 84701-A8D-000 | F03 | 90110-KG8-900 | F15 | 90703-M8Q-000 | E04 |
| 84702-A8D-000 | F03 | 90110-M9Q-300 | F10 | 90741-M7Q-000 | E02 |
| 87000 | | 90110-M9Q-300 | F11 | 90754-M9Q-000-M2 | F10 |
| 87121-A7D-000-T1 | F01 | 90113-M8Q-000 | F06 | 90912-M9Q-000-M1 | F10 |
| 87121-A7D-000-T2 | F01 | 90114-N01-000 | F01 | 91000 | |
| 87123-TFA-000 | F04 | 90114-N01-000 | F05 | 91001-A3G-000 | E05 |
| 87123-TFA-000 | F04 | 90117-TDF-000 | F02 | 91001-GA7-701 | E09 |
| 87124-A8A-600 | F06 | 90118-HAA-000 | F07 | 91001-GY6-900-M1 | E09 |
| 87124-A8A-600 | F06 | 90118-HAA-000 | F08 | 91002-M8Q-000 | E05 |
| 87124-A8A-600 | F06 | 90118-T15-000 | F12 | 91002-X01-000 | E05 |
| 87124-A8A-600 | F06 | 90119-A1A-000 | F08 | 91003-M8Q-000 | E07 |
| 87124-HAD-000 | F04 | 90119-G03-000 | F04 | 91104-KN7-670 | E07 |
| 87124-HAD-000 | F04 | 90131-GW0-910 | F02 | 91104-M9Q-000 | E13 |
| 87128-A8A-600 | F03 | 90145-MS9-611 | F02 | 91105-M9Q-000 | E13 |
| 87128-A8A-600 | F03 | 90164-MR4-900 | F04 | 91201-A31-000 | E10 |
| 87128-A8A-600 | F03 | 90201-A7A-000 | F14 | 91201-M9Q-300-M1 | E08 |
| 87128-A8A-600 | F03 | 90202-M9Q-000 | E09 | 91202-KJ9-003 | E07 |
| 87128-A8A-600 | F03 | 90206-HLK-000 | E03 | 91211-GK8-003 | E09 |
| 87128-A8A-600 | F03 | 90301-M9Q-000 | F17 | 91255-GE0-003 | E07 |
| 87128-A8A-600 | F03 | 90302-V02-000 | F04 | 91258-M9Q-000-M2 | F10 |
| 87128-A8A-600 | F03 | 90302-V02-000 | F08 | 91302-A3A-000 | E09 |
| 88000 | | 90304-M9Q-000 | F02 | 91303-M9Q-000 | E08 |
| 88110-A8D-000 | F01 | 90304-M9Q-000 | F15 | 91304-M36-000 | E15 |
| 88120-A8D-000 | F01 | 90305-M9Q-900 | F11 | 91304-M9Q-000 | E04 |
| 90000 | | 90306-M9Q-000 | F10 | 91307-035-000 | E10 |
| 90001-M8Q-000 | E07 | 90309-M9Q-000 | E08 | 91351-642-000 | E09 |
| 90001-M9Q-000 | E04 | 90309-M9Q-000 | F10 | 92000 | |
| 90001-M9Q-000 | E07 | 90309-M9Q-000 | F11 | 92101-05010-0H | E02 |
| 90002-M9Q-000 | E13 | 90412-M7Q-000 | E14 | 92101-05020-0H | F13 |
| 90003-M9Q-000 | E07 | 90426-M7Q-000 | E09 | 92800-12000 | E08 |
| 90012-M9Q-000 | E03 | 90429-A31-000 | E07 | 92900-06050-0E | E15 |
| 90031-M9Q-000 | E04 | 90442-028-000 | E03 | 93000 | |

PRICE SHOWN IS PER PIECE. Product image price are approximate guide only.
Prices shown are subject to change without prior notice.

| PARTS NO. | NO. | PARTS NO. | NO. | PARTS NO. | NO. |
|----------------|-----|----------------|-----|-------------------|-----|
| 93201-08032-0H | F07 | 94301-08140 | E14 | 96100-62020-00 | E07 |
| 93401-05012-08 | F05 | 94510-20000 | E07 | 96100-62030-00 | E07 |
| 93401-06022-07 | F17 | 94511-14000 | E14 | 96150-60043-10 | E07 |
| 93404-06012-07 | F08 | 94520-24000 | E09 | 96211-05000 | F15 |
| 93404-06012-07 | F12 | 94601-13000 | E05 | 96211-05000 | F15 |
| 93404-06016-08 | F04 | 95000 | | 96700-06020-00 | F02 |
| 93404-06016-08 | F14 | 95003-23017-60 | F16 | DRIVE BELT | |
| 93404-06020-07 | F08 | 95014-62200 | F01 | 1B01A3G01 | E09 |
| 93600-06025-0H | E11 | 95015-32001 | F11 | CAM CHAIN | |
| 93700-05018-0A | F10 | 95015-42000 | F11 | 1C14401-A31-000 | E04 |
| 93892-05012-08 | F13 | 95701-06016-00 | E02 | SPARK PLUG | |
| 93901-25180 | E14 | 95801-06010-08 | F05 | 1PCR6HSA-3 | E03 |
| 93903-34120 | F04 | 95801-06012-08 | F02 | TIRE | |
| 93903-34320 | F03 | 95801-06012-08 | F05 | 1T0190108-310A | F10 |
| 93903-34320 | F06 | 95801-06012-08 | F14 | 1T0190108-310A | F11 |
| 93903-34320 | F07 | 95801-06012-08 | F15 | BATTERY | |
| 93903-34320 | F14 | 95801-06020-00 | E03 | 1Y01GY601-Y | F07 |
| 93903-34380 | F01 | 95801-06022-07 | E14 | OTHER | |
| 93903-34380 | F04 | 95801-06045-02 | F14 | A8D-1 | E15 |
| 93903-34380 | F05 | 95801-08032-08 | F11 | A8D-2 | E15 |
| 93903-34480 | F03 | 95801-08038-07 | F17 | A8D-3 | E15 |
| 93903-34480 | F07 | 95801-08040-00 | F05 | A8D-4 | E15 |
| 93903-34480 | F07 | 95801-08045-08 | F05 | A8D-5 | E15 |
| 93904-35380 | E01 | 95801-10035-08 | F07 | | |
| 94000 | | 96000 | | | |
| 94001-12200-0S | E09 | 96001-06012-00 | E03 | | |
| 94030-08080 | F15 | 96001-06016-00 | F13 | | |
| 94050-05080 | F08 | 96001-06016-08 | E12 | | |
| 94050-06000 | E15 | 96001-06020-00 | E01 | | |
| 94050-06080 | F03 | 96001-06020-00 | E02 | | |
| 94050-06080 | F09 | 96001-06025-00 | E02 | | |
| 94050-06080 | F12 | 96001-06025-00 | E10 | | |
| 94050-06080 | F14 | 96001-06025-00 | E14 | | |
| 94050-06080 | F15 | 96001-06050-00 | E06 | | |
| 94050-10080 | E02 | 96001-06055-00 | E14 | | |
| 94050-10080 | E09 | 96001-06090-00 | E03 | | |
| 94109-12000 | E08 | 96001-06095-00 | E10 | | |
| 94301-08140 | E06 | 96001-06100-00 | E10 | | |
| 94301-08140 | E07 | 96001-06110-00 | E10 | | |
| 94301-08140 | E10 | 96100-60020-00 | E07 | | |

PRICE SHOWN IS PER PIECE. Product image price are approximate guide only.
Prices shown are subject to change without prior notice.