

# PARTS CATALOGUE



PGD



DPBMC

**MTN890** ( B7N1 ) EUROPE

**MTN890** ( B7N8 ) SOUTH AFRICA

MTN890  
PARTS CATALOGUE  
©2020 by Yamaha Motor Co., Ltd.  
1st edition, November 2020  
All rights reserved.  
Any reprinting or unauthorized use  
without the written permission of  
Yamaha Motor Co., Ltd.  
is expressly prohibited.  
Printed in Japan.

# FOREWORD

This Parts Catalogue is related to the parts for the model(s) on the cover page. When you are ordering replacement parts, please refer to this Parts Catalogue and quote both part numbers and part names correctly.

1. Modifications or additions which have been made after the issue of the Parts Catalogue will be announced in the Parts News.  
It is advisable that you make the necessary corrections to the Parts Catalogue according to the Parts News.

2. Abbreviations

The following abbreviations are used in this Parts Catalogue.

“UR” Use specified parts number.

“UN” Use as many as needed.

“AP” Alternate Parts

“LM” Locally Made (Parts need to be ordered locally)

“F#” Frame No. (Applicable machine No.)

“O/S” Over Size

3. The number of components for assembly

- Parts, which are to be supplied in an assembly, are listed with a dot (.) in front of the part name as shown below.
- The numeral appearing to the right of each component part indicates the quantity of parts for each assembly unit.

PART NO.	DESCRIPTION	Q'TY	REMARKS
2F5-83310-60	FRONT FLASHER LIGHT ASSY	2	
115-83311-60	.BULB (6V-18W)	1	

4. Applicable colours of graphics are represented in the “REMARKS” as shown below.

PART NO.	DESCRIPTION	Q'TY	REMARKS
2N4-24110-00-X5	FUEL TANK COMP.	2	MXR
3J1-24240-10	.GRAPHIC, FUEL TANK	1	FOR MXR

5. Note that the illustrations for reference in finding parts numbers are not to be used for assembling. When assembling, please use the applicable service manual.

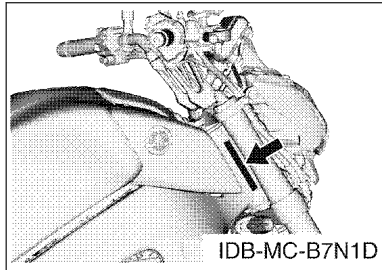
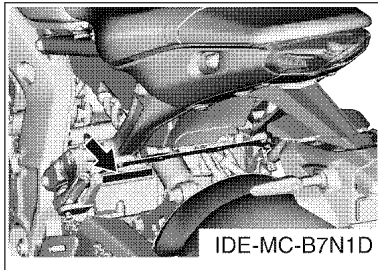
6. The asterisk (\*) before a reference number indicates modified items after the first edition.

# FOREWORD

## 7. Applicable Serial No.

Engine Serial No.

Frame Serial No.



## 8. Applicable Colour Code (The (\*) mark shows Model colour.)

Abbreviation	Colour Name	Colour Code
DPBM15	DEEP PURPLISH BLUE METALLIC 15	1329
DPBMC(*)	DEEP PURPLISH BLUE METALLIC C	0564
LGB	LOW GLOSS BLACK	0098
MBNM3	MAT BLUISH GRAY METALLIC 3	1758
MDNM6(*)	MAT DARK GRAY METALLIC 6	1579
MDNM9	MAT DARK GRAY METALLIC 9	1752
PGD(*)	PASTEL DARK GRAY	003E
VYRS6	VIVID YELLOWISH RED SOLID 6	1699



# CONTENTS

## ENGINE

CYLINDER HEAD.....	1
CRANKSHAFT & PISTON.....	2
VALVE.....	3
CAMSHAFT & CHAIN.....	5
WATER PUMP.....	6
RADIATOR & HOSE.....	8
OIL PUMP.....	11
OIL CLEANER.....	12
INTAKE.....	13
INTAKE 2.....	15
EXHAUST.....	16
CRANKCASE.....	17
CRANKCASE COVER 1.....	19
STARTER.....	21
CLUTCH.....	22
TRANSMISSION.....	24
SHIFT CAM & FORK.....	26
SHIFT SHAFT.....	27

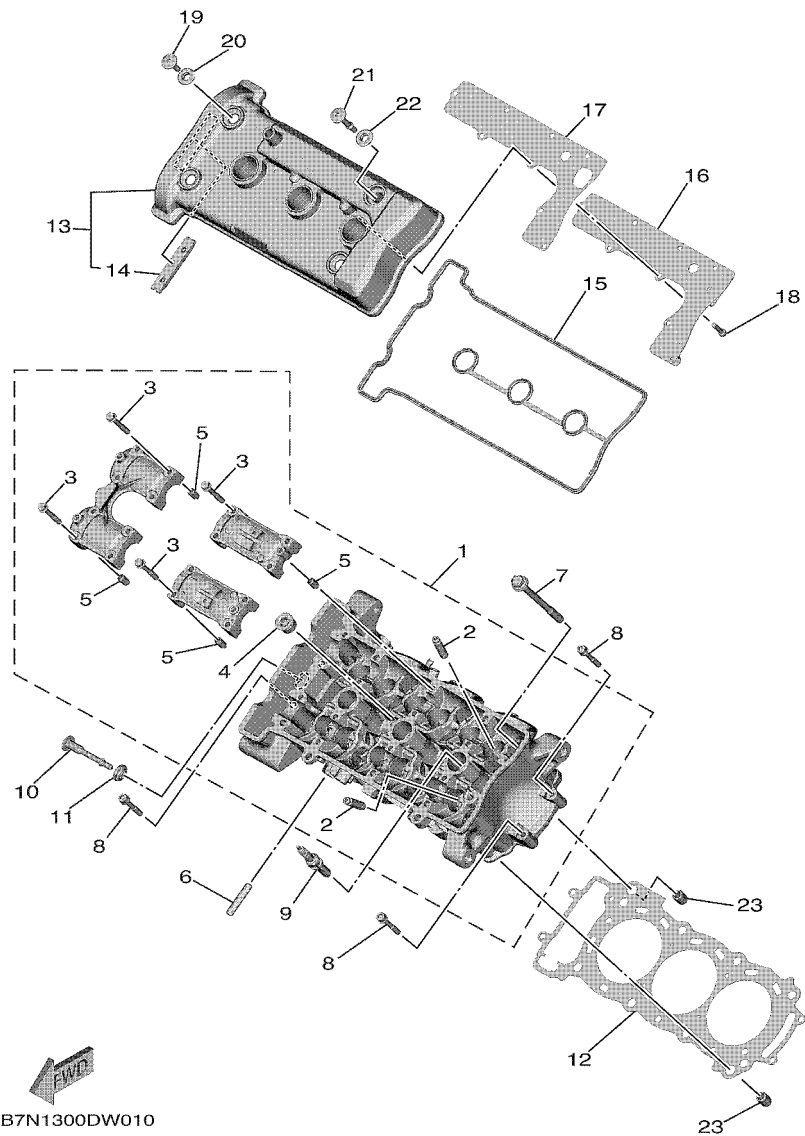
## CHASSIS

FRAME.....	29
FENDER.....	31
SIDE COVER.....	33
REAR ARM.....	34
REAR SUSPENSION.....	36
STEERING.....	37
FRONT FORK.....	38
FUEL TANK.....	40
SEAT.....	43
FRONT WHEEL.....	44
FRONT BRAKE CALIPER.....	45
REAR WHEEL.....	46
REAR BRAKE CALIPER.....	48
STEERING HANDLE & CABLE.....	49
FRONT MASTER CYLINDER.....	50
STAND & FOOTREST.....	52
REAR MASTER CYLINDER.....	55
GENERATOR.....	57
STARTING MOTOR.....	58

FLASHER LIGHT.....	59
METER.....	60
HEADLIGHT.....	61
TAILLIGHT.....	62
HANDLE SWITCH & LEVER.....	63
ELECTRICAL 1.....	64
ELECTRICAL 2.....	66
ELECTRICAL 3.....	68

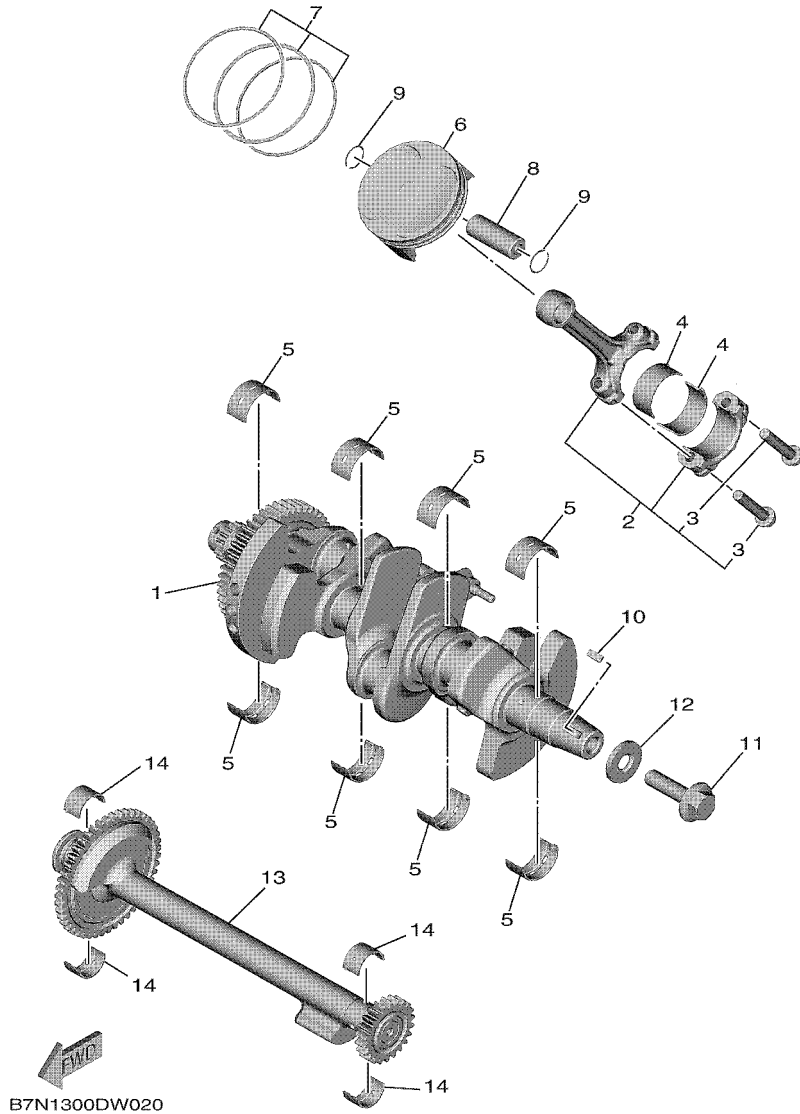
## INDEX

NUMERICAL INDEX.....	69
----------------------	----



**FIG. 1 CYLINDER HEAD**

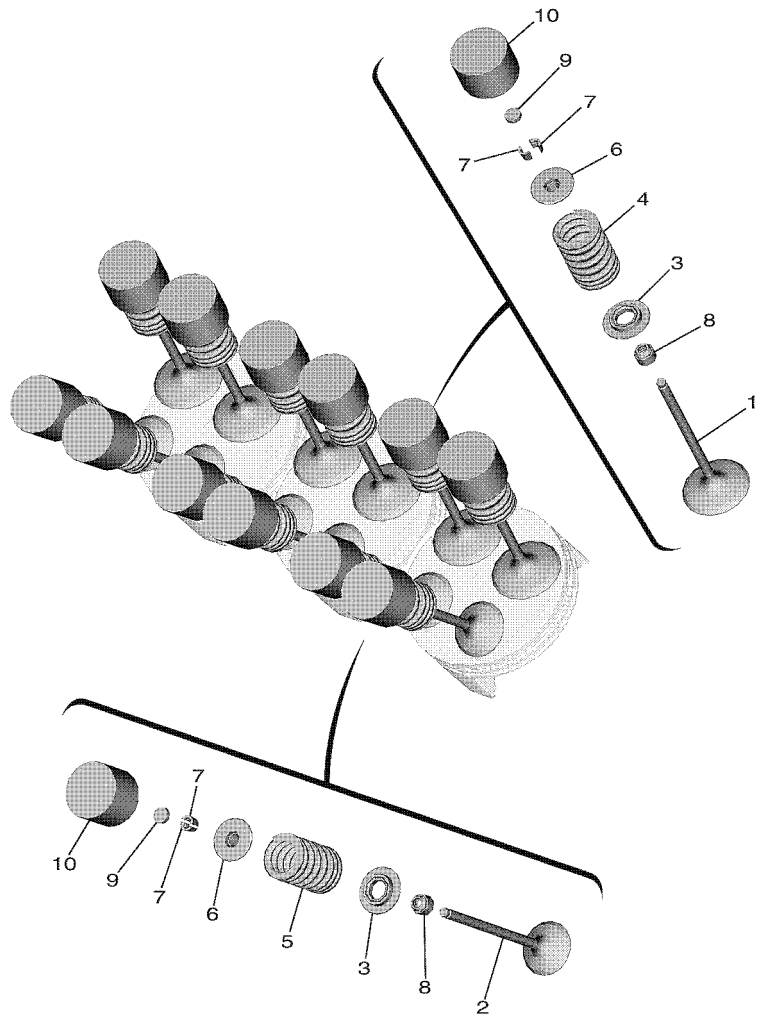
REF. NO.	PART NO.	DESCRIPTION			REMARKS
			B7N1	B7N8	
1	B7N-11101-09	CYLINDER HEAD ASSY	1	1	
2	2C0-11133-11	.GUIDE, VALVE 1	12	12	
3	90105-06027	.BOLT, FLANGE	16	16	
4	90340-18002	.PLUG, STRAIGHT SCREW	2	2	
5	91808-16023	.PIN, DOWEL	6	6	
6	95612-08625	BOLT, STUD	6	6	
7	90119-09019	BOLT, WITH WASHER	8	8	
8	90109-061F7	BOLT	4	4	
9	94701-00446	PLUG, SPARK (NGK LMAR9A-9)	3	3	
10	90109-06293	BOLT	1	1	
11	5VY-1111G-00	RUBBER, MOUNT 1	1	1	
12	B7N-11181-00	GASKET, CYLINDER HEAD 1	1	1	
13	B7N-11191-00	COVER, CYLINDER HEAD 1	1	1	
14	5BE-12241-01	.GUIDE, STOPPER 2	1	1	
15	B7N-11193-00	GASKET, HEAD COVER 1	1	1	
16	B7N-11165-00	PLATE, BREATHER	1	1	
17	B7N-11169-00	GASKET, BREATHER COVER	1	1	
18	90149-05037	SCREW	7	7	
19	90109-066F0	BOLT	3	3	
20	5VY-1111G-00	RUBBER, MOUNT 1	3	3	
21	90109-06271	BOLT	1	1	
22	5VY-1111G-00	RUBBER, MOUNT 1	1	1	
23	99530-12016	PIN, DOWEL	2	2	



**FIG. 2 CRANKSHAFT & PISTON**

REF. NO.	PART NO.	DESCRIPTION			REMARKS
			B7N1	B7N8	
1	B7N-11400-00	CRANKSHAFT ASSY	1	1	
2	B7N-11650-00	CONNECTING ROD ASSY	3	3	
3	1RC-11654-00	.BOLT, CONNECTING ROD	2	2	
4	1RC-11656-00	PLANE BEARING, CONNECTING ROD	6	6	UR BLUE
	1RC-11656-10	PLANE BEARING, CONNECTING ROD	6	6	UR BLACK
	1RC-11656-20	PLANE BEARING, CONNECTING ROD	6	6	UR BROWN
	1RC-11656-30	PLANE BEARING, CONNECTING ROD	6	6	UR GREEN
5	B7N-11416-A0	PLANE BEARING, CRANKSHAFT 1	8	8	UR WHITE
	B7N-11416-00	PLANE BEARING, CRANKSHAFT 1	8	8	UR BLUE
	B7N-11416-10	PLANE BEARING, CRANKSHAFT 1	8	8	UR BLACK
	B7N-11416-20	PLANE BEARING, CRANKSHAFT 1	8	8	UR BROWN
	B7N-11416-30	PLANE BEARING, CRANKSHAFT 1	8	8	UR GREEN
6	B7N-11631-00	PISTON (STD)	3	3	
7	B7N-11603-00	PISTON RING SET (STD)	3	3	
8	39P-11633-00	PIN, PISTON	3	3	
9	93450-18157	CIRCLIP	6	6	
10	90280-05029	KEY, WOODRUFF	1	1	
11	90105-12101	BOLT, FLANGE	1	1	
12	90201-12008	WASHER, PLATE	1	1	
13	1RC-11500-01	BALANCER ASSY	1	1	
14	2S3-11413-00	METAL, BALANCE WEIGHT	4	4	UR BLUE
	2S3-11413-10	METAL, BALANCE WEIGHT	4	4	UR BLACK
	2S3-11413-20	METAL, BALANCE WEIGHT	4	4	UR BROWN
	2S3-11413-30	METAL, BALANCE WEIGHT	4	4	UR GREEN
	2S3-11413-40	METAL, BALANCE WEIGHT	4	4	UR YELLOW

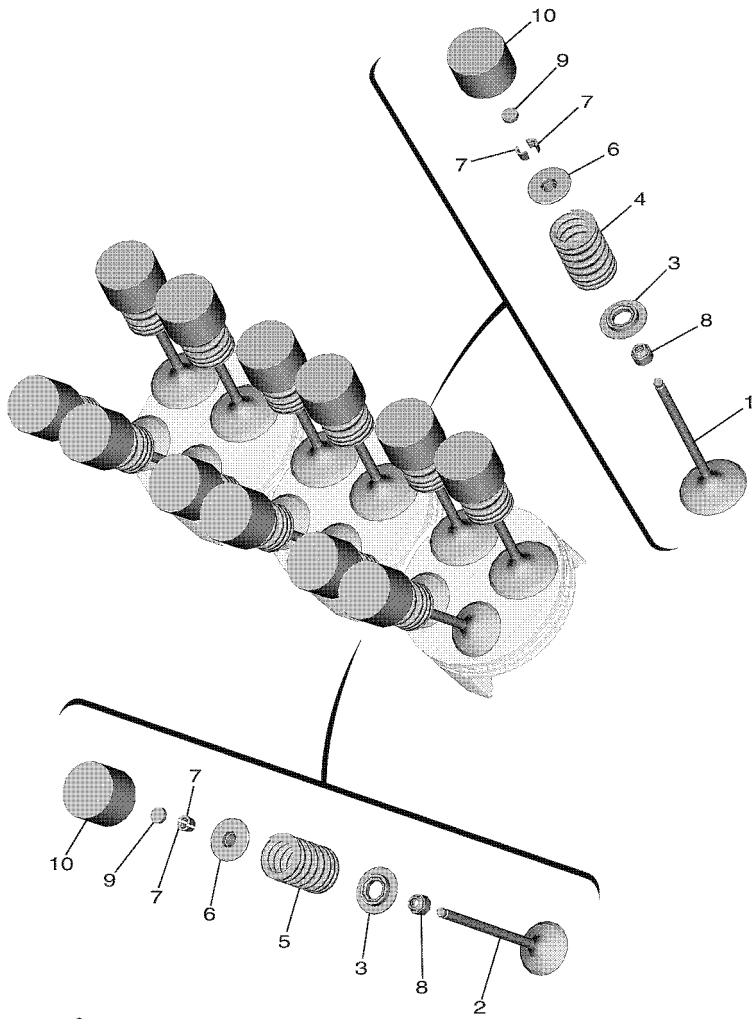




  
 B7N1300DW030

**FIG. 3 VALVE**

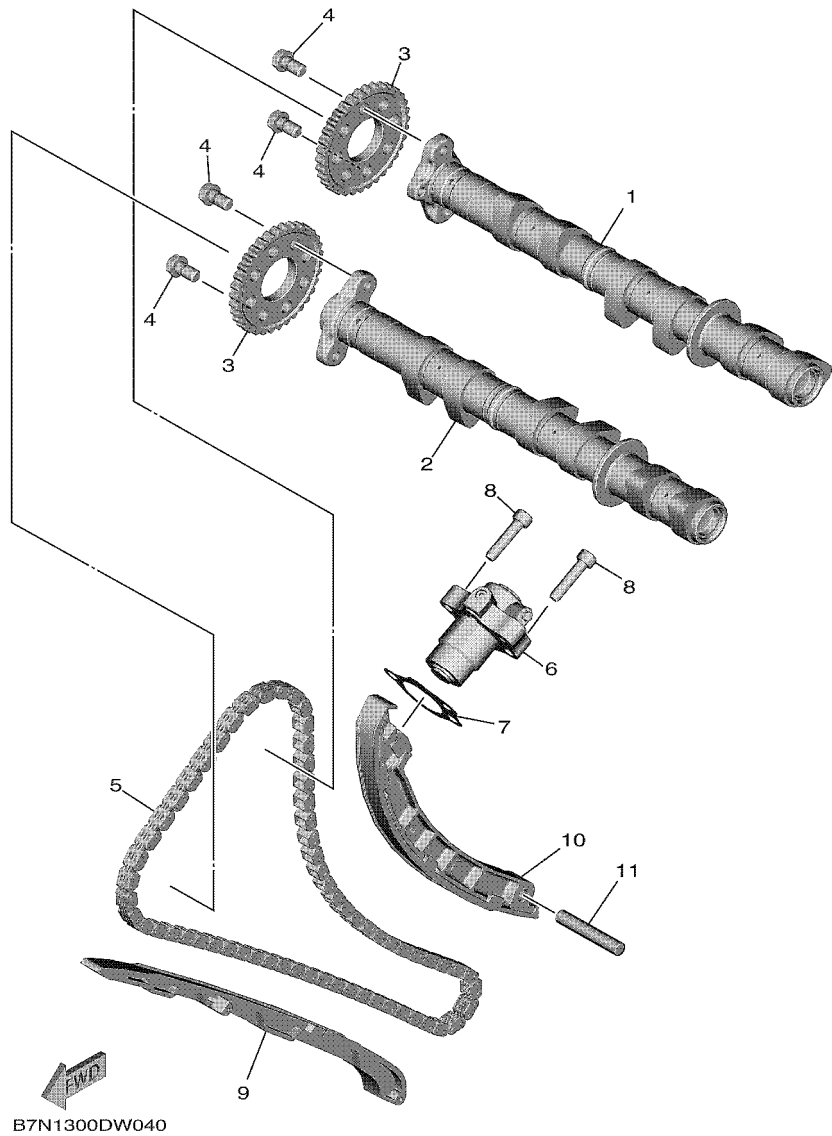
REF. NO.	PART NO.	DESCRIPTION	B7N1	B7N8	REMARKS
1	1RC-12111-01	VALVE, INTAKE	6	6	
2	1RC-12121-01	VALVE, EXHAUST	6	6	
3	3D7-12116-00	SEAT, VALVE SPRING	12	12	
4	1RC-12113-00	SPRING, VALVE INNER	6	6	
5	B7N-12114-00	SPRING, VALVE OUTER	6	6	
6	3D7-12117-00	RETAINER, VALVE SPRING	12	12	
7	1WG-12118-00	LOCK, VALVE SPRING RETAINER	24	24	
8	2HC-12119-00	SEAL, VALVE STEM	12	12	
9	1HX-12168-F0	PAD, ADJUSTING 2 (1.50)	12	12	UR
	1HX-12168-H1	PAD, ADJUSTING 2 (1.55)	12	12	UR
	1HX-12168-K1	PAD, ADJUSTING 2 (1.60)	12	12	UR
	1HX-12168-M1	PAD, ADJUSTING 2 (1.65)	12	12	UR
	1HX-12168-R1	PAD, ADJUSTING 2 (1.70)	12	12	UR
	1HX-12168-U1	PAD, ADJUSTING 2 (1.75)	12	12	UR
	1HX-12168-W1	PAD, ADJUSTING 2 (1.80)	12	12	UR
	1HX-12168-Y1	PAD, ADJUSTING 2 (1.85)	12	12	UR
	1HX-12169-11	PAD, ADJUSTING 2 (1.90)	12	12	UR
	1HX-12169-31	PAD, ADJUSTING 2 (1.95)	12	12	UR
	1HX-12169-50	PAD, ADJUSTING 2 (2.00)	12	12	UR
	1HX-12169-70	PAD, ADJUSTING 2 (2.05)	12	12	UR
	1HX-12169-90	PAD, ADJUSTING 2 (2.10)	12	12	UR
	1HX-12169-E0	PAD, ADJUSTING 2 (2.15)	12	12	UR
	1HX-12169-G0	PAD, ADJUSTING 2 (2.20)	12	12	UR
	1HX-12169-J0	PAD, ADJUSTING 2 (2.25)	12	12	UR
	1HX-12169-L0	PAD, ADJUSTING 2 (2.30)	12	12	UR
	1HX-12169-N0	PAD, ADJUSTING 2 (2.35)	12	12	UR
	1HX-12169-T0	PAD, ADJUSTING 2 (2.40)	12	12	UR



← EMD  
 B7N1300DW030

**FIG. 3 VALVE**

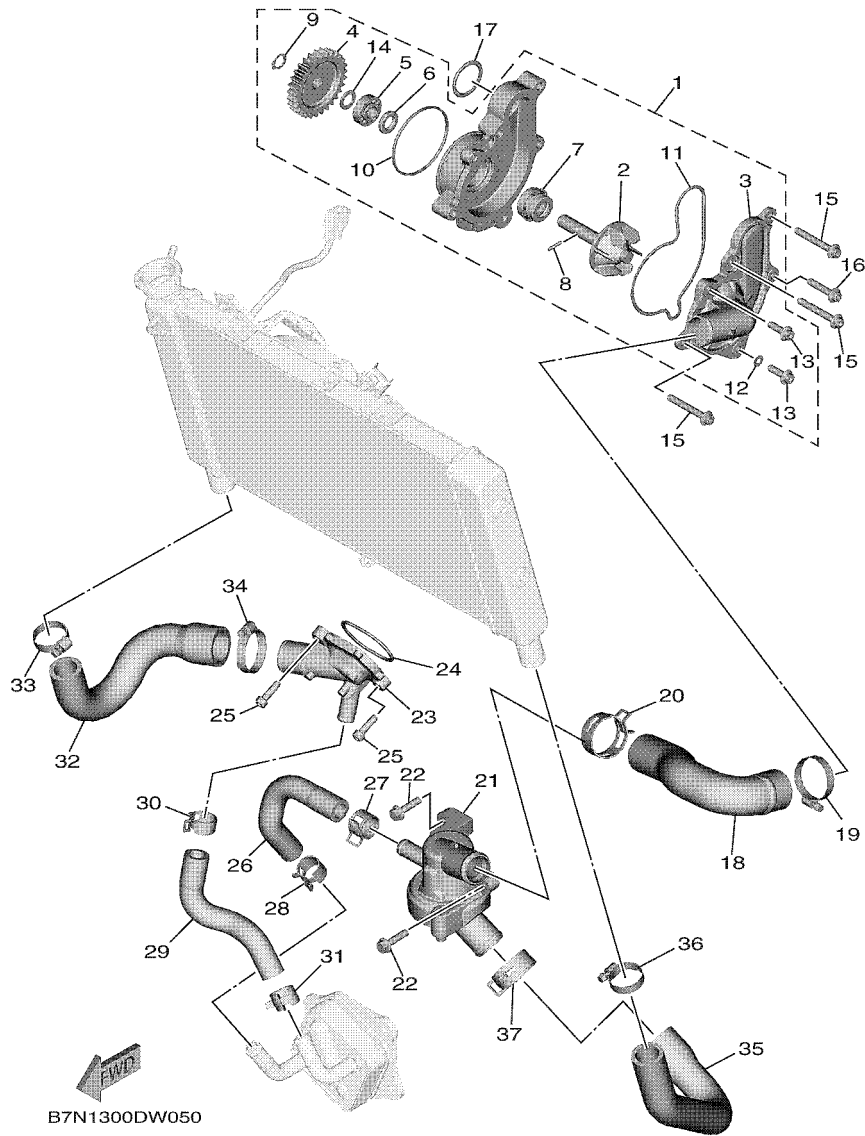
REF. NO.	PART NO.	DESCRIPTION	B7N1	B7N8	REMARKS
10	B4T-12153-00	LIFTER, VALVE	12	12	
	B4T-12153-09	LIFTER, VALVE (O/S)	12	12	AP PURPLE



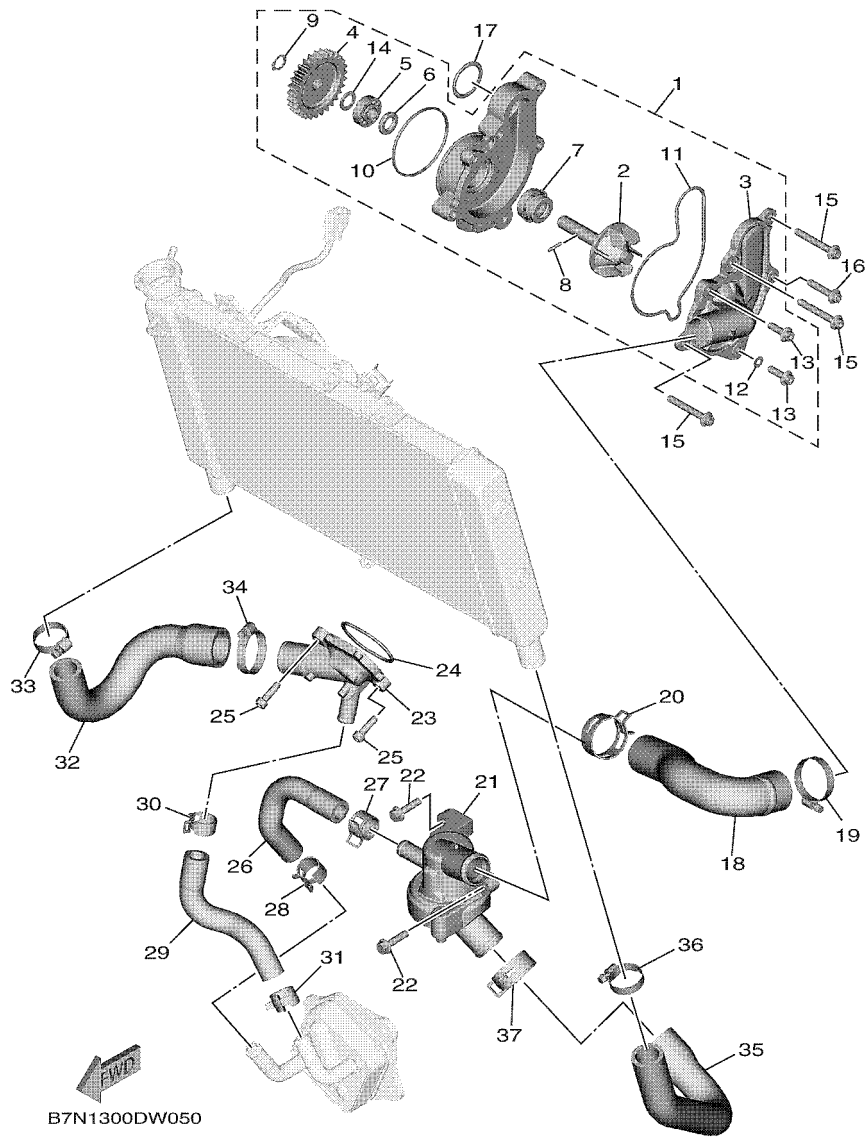
**FIG. 4 CAMSHAFT & CHAIN**

REF. NO.	PART NO.	DESCRIPTION	B7N1	B7N8			REMARKS
1	B7N-12170-00	CAMSHAFT ASSY 1	1	1			
2	B7N-12180-00	CAMSHAFT ASSY 2	1	1			
3	B7N-12176-00	SPROCKET, CAM CHAIN	2	2			
4	90105-07006	BOLT, FLANGE	4	4			
5	94591-78128	CHAIN	1	1			
6	B7N-12210-00	TENSIONER ASSY, CAM CHAIN	1	1			
7	14B-12213-00	GASKET, TENSIONER CASE	1	1			
8	91312-06025	BOLT, HEXAGON SOCKET HEAD	2	2			
9	1RC-12251-00	DAMPER, CHAIN 1	1	1			
10	B7N-12250-00	CHAIN DAMPER ASSY	1	1			
11	93607-44002	PIN, DOWEL	1	1			

**FIG. 5 WATER PUMP**



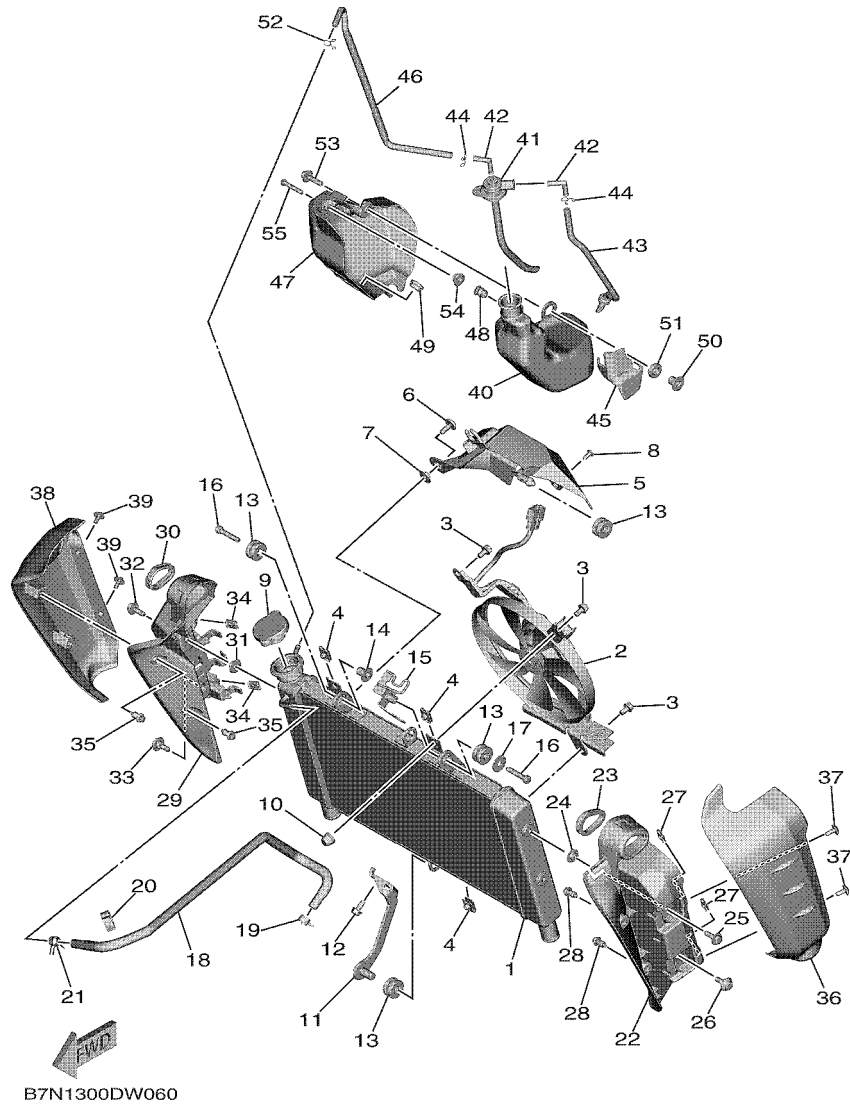
REF. NO.	PART NO.	DESCRIPTION			REMARKS
			B7N1	B7N8	
1	B7N-12420-00	WATER PUMP ASSY	1	1	
2	1RC-12450-10	.IMPELLER SHAFT ASSY	1	1	
3	B7N-12422-00	.COVER, HOUSING	1	1	
4	1RC-12459-00	.GEAR, IMPELLER SHAFT	1	1	
5	93306-00106	.BEARING	1	1	
6	93101-12173	.OIL SEAL	1	1	
7	5VK-12438-00	.SEAL, MECHANICAL	1	1	
8	1RC-1319L-10	.PIN, STRAIGHT	1	1	
9	99009-12400	.CIRCLIP	1	1	
10	93210-61750	.O-RING	1	1	
11	1RC-12439-00	.O-RING	1	1	
12	90430-06014	.GASKET	1	1	
13	90110-06396	.BOLT, HEXAGON SOCKET HEAD	2	2	
14	90201-12541	.WASHER, PLATE	1	1	
15	90110-06394	BOLT, HEXAGON SOCKET HEAD	3	3	
16	90110-06388	BOLT, HEXAGON SOCKET HEAD	1	1	
17	93210-30694	O-RING	1	1	
18	1RC-12577-00	HOSE 2	1	1	
19	90450-38040	HOSE CLAMP ASSY	1	1	
20	90467-310A0	CLIP	1	1	
21	B7N-12410-00	THERMOSTAT ASSY	1	1	
22	95822-06025	BOLT, FLANGE	2	2	
23	1RC-12469-00	JOINT 1	1	1	
24	93210-46044	O-RING	1	1	
25	90110-06175	BOLT, HEXAGON SOCKET HEAD	2	2	
26	BS2-12578-00	HOSE 3	1	1	
27	90467-21068	CLIP	1	1	



**FIG. 5 WATER PUMP**

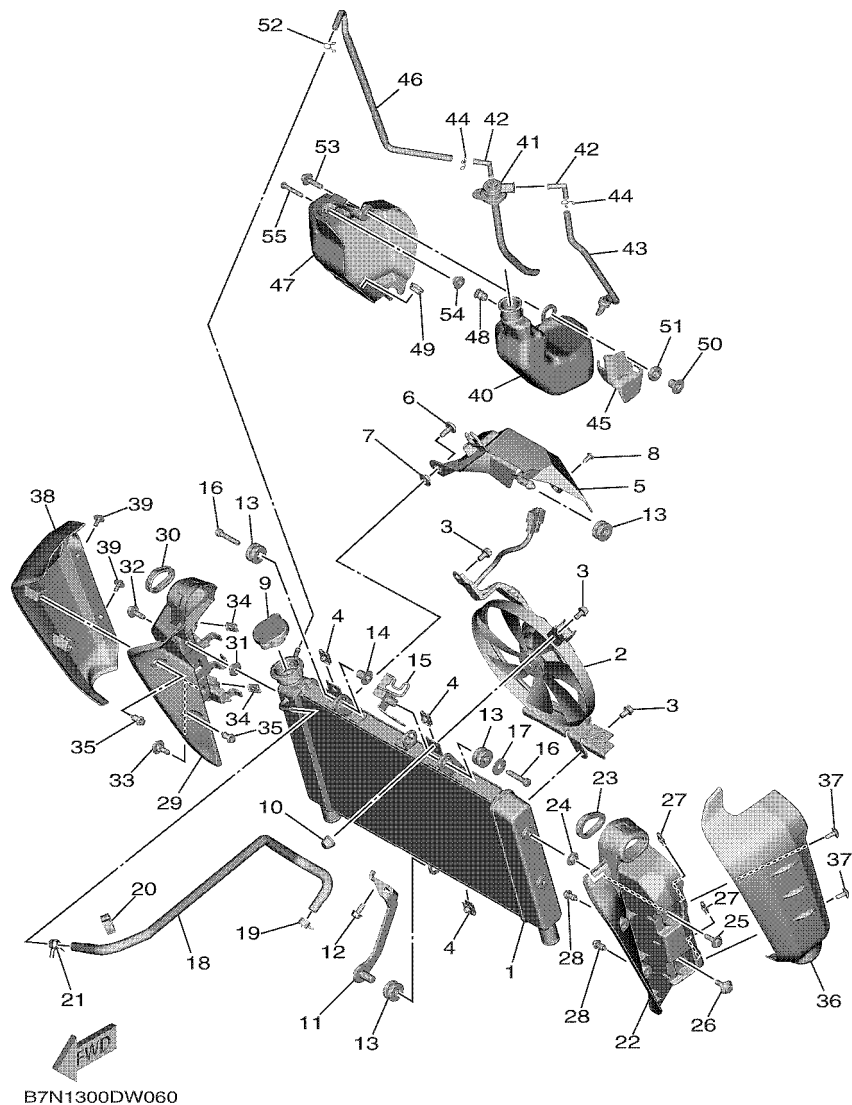
REF. NO.	PART NO.	DESCRIPTION	B7N1	B7N8	REMARKS
28	90467-200A0	CLIP	1	1	
29	BS2-12579-00	HOSE 4	1	1	
30	90467-22002	CLIP	1	1	
31	90467-200A0	CLIP	1	1	
32	B7N-12588-00	HOSE 5	1	1	
33	90450-32003	HOSE CLAMP ASSY	1	1	
34	90450-38040	HOSE CLAMP ASSY	1	1	
35	B7N-12576-00	HOSE 1	1	1	
36	90450-32003	HOSE CLAMP ASSY	1	1	
37	90467-310A0	CLIP	1	1	

**FIG. 6 RADIATOR & HOSE**



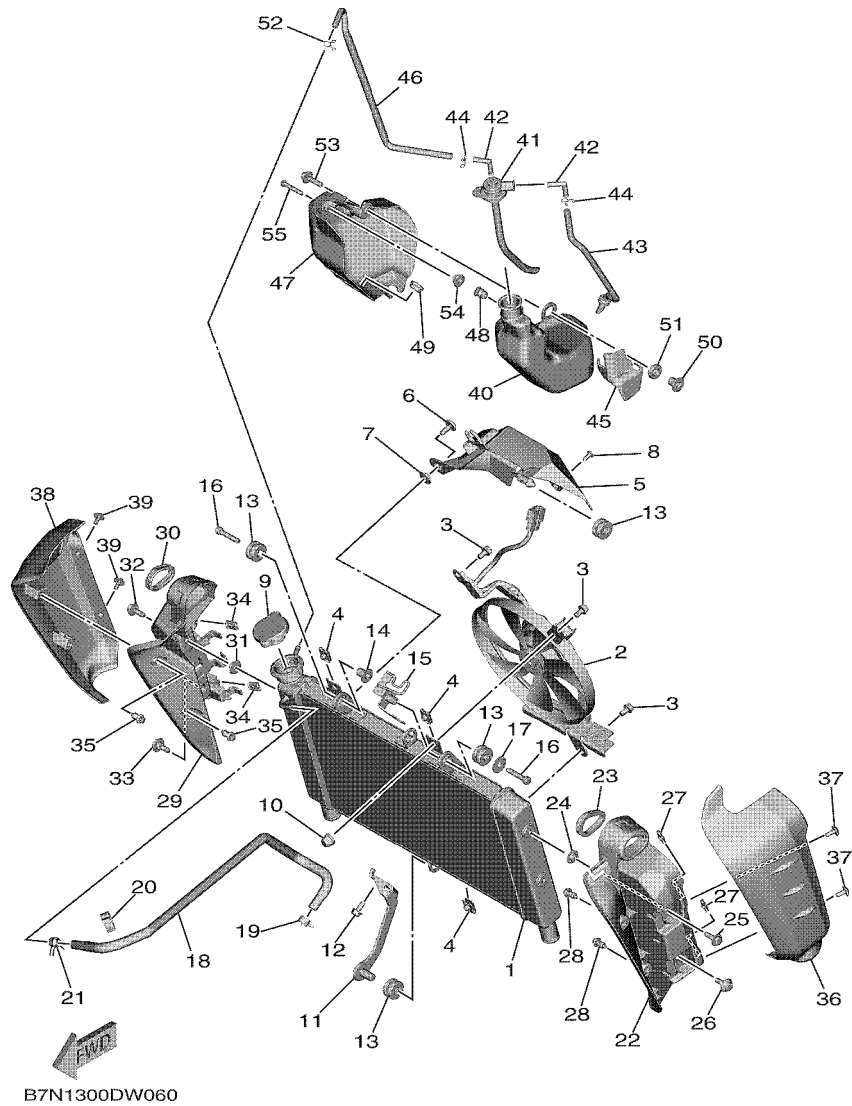
REF. NO.	PART NO.	DESCRIPTION			REMARKS
			B7N1	B7N8	
1	B7N-12461-00	RADIATOR COMP	1	1	
2	B7N-12405-00	BLOWER ASSY	1	1	
3	5GJ-12675-00	BOLT, BLOWER HOLDING	3	3	
4	5YP-E2671-00	NUT 1	3	3	
5	B7N-12467-00	COVER, RADIATOR	1	1	
6	90111-06161	BOLT,HEX. SOCKET BUTTON	1	1	
7	90387-07717	COLLAR	1	1	
8	90269-05005	RIVET	1	1	
9	5SL-12462-00	CAP, RADIATOR	1	1	
10	663-45119-01	CAP, GREASE NIPPLE	1	1	
11	B7N-12638-00	STAY 2	1	1	
12	95D32-06012	BOLT, FLANGE DEEP RECESS	1	1	
13	90480-15363	GROMMET	4	4	
14	90387-06158	COLLAR	1	1	
15	B7N-26132-00	GUIDE, CABLE 2	1	1	
16	91342-06030	BOLT	2	2	
17	90201-06033	WASHER, PLATE	1	1	
18	B7N-1243A-00	HOSE 1	1	1	
19	90467-10039	CLIP	1	1	
20	90464-16003	CLAMP	1	1	
21	90467-10039	CLIP	1	1	
22	B7N-2175T-00	BRACKET 1	1	1	
23	B7N-83321-00	DAMPER, FLASHER 1	1	1	
24	90387-06351	COLLAR	1	1	
25	90119-06193	BOLT, WITH WASHER	1	1	
26	90109-06337	BOLT	1	1	
27	90183-05076	NUT, SPRING	2	2	

**FIG. 6 RADIATOR & HOSE**



REF. NO.	PART NO.	DESCRIPTION	B7N1	B7N8	REMARKS
28	90269-06018	RIVET	2	2	
29	B7N-2175U-00	BRACKET 2	1	1	
30	B7N-83321-00	DAMPER, FLASHER 1	1	1	
31	90387-06351	COLLAR	1	1	
32	90119-06193	BOLT, WITH WASHER	1	1	
33	90109-06337	BOLT	1	1	
34	90183-05076	NUT, SPRING	2	2	
35	90269-06018	RIVET	2	2	
36	B7N-2171E-00	COVER, SIDE 5	1	1	
37	90111-05002	BOLT, HEX. SOCKET BUTTON	2	2	
38	B7N-2171X-00	COVER, SIDE 6	1	1	
39	90111-05002	BOLT, HEX. SOCKET BUTTON	2	2	
40	1RC-21871-00	TANK, RECOVERY	1	1	
41	B7N-21875-00	CAP	1	1	
42	1RC-21828-00	ELBOW	2	2	
43	B7N-21826-00	PIPE, BREATHER	1	1	
44	90467-08075	CLIP	2	2	
45	B7N-22825-00	PROTECTOR 1	1	1	
46	B7N-21816-00	PIPE 1	1	1	
47	1RC-2172W-00	COVER	1	1	
48	90179-05523	NUT	1	1	
49	90480-13203	GROMMET	1	1	
50	90387-06285	COLLAR	1	1	
51	1RC-21749-00	COLLAR	1	1	
52	90467-08075	CLIP	1	1	
53	90110-06434	BOLT, HEXAGON SOCKET HEAD	1	1	
54	1RC-21748-00	COLLAR	1	1	

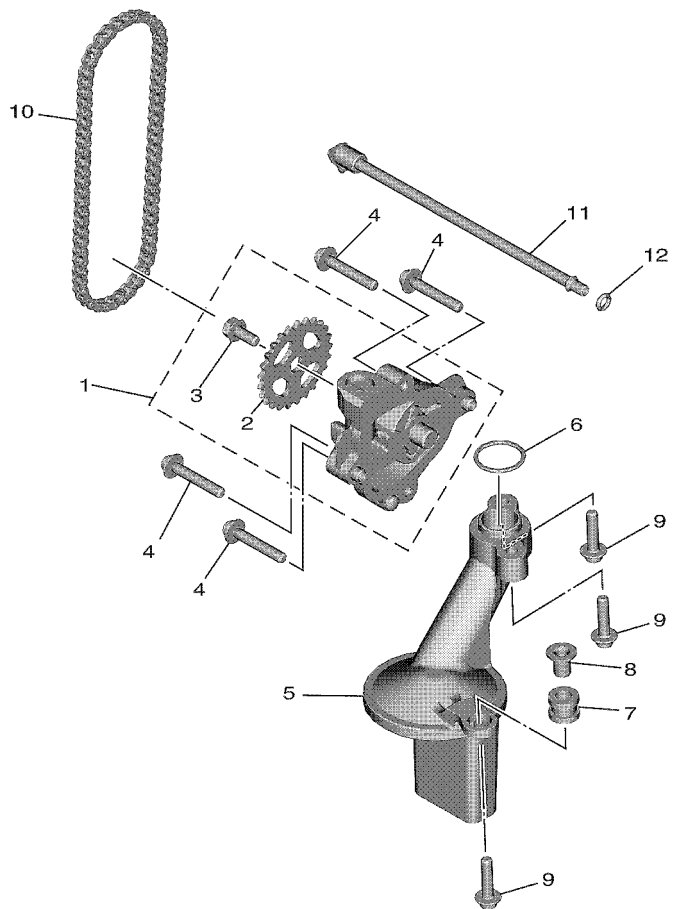
**FIG. 6 RADIATOR & HOSE**



REF. NO.	PART NO.	DESCRIPTION	B7N1	B7N8	REMARKS
55	92012-05030	BOLT, BUTTON HEAD	1	1	

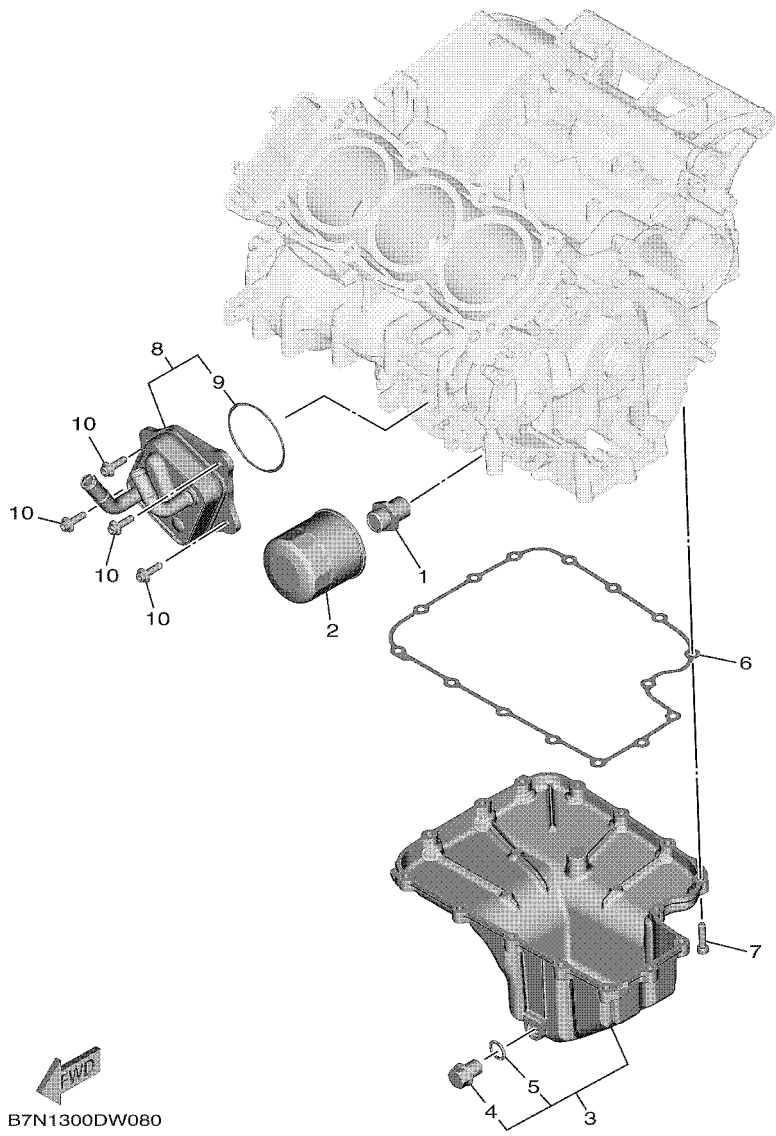


**FIG. 7 OIL PUMP**



  
 B7N1300DW070

REF. NO.	PART NO.	DESCRIPTION	B7N1	B7N8	REMARKS
1	B7N-13300-00	OIL PUMP ASSY	1	1	
2	1RC-13355-00	.SPROCKET, DRIVEN	1	1	
3	90105-06066	.BOLT, FLANGE	1	1	
4	90110-06432	BOLT, HEXAGON SOCKET HEAD	4	4	
5	B7N-13410-00	STRAINER HOUSING ASSY	1	1	
6	93210-22001	O-RING	1	1	
7	90480-13010	GROMMET	1	1	
8	5VY-13117-10	COLLAR, DISTANCE	1	1	
9	90110-06173	BOLT, HEXAGON SOCKET HEAD	3	3	
10	94581-79066	CHAIN (DID 25H)	1	1	
11	B7N-1316E-00	PIPE, DELIVERY 5	1	1	
12	93210-06667	O-RING	1	1	

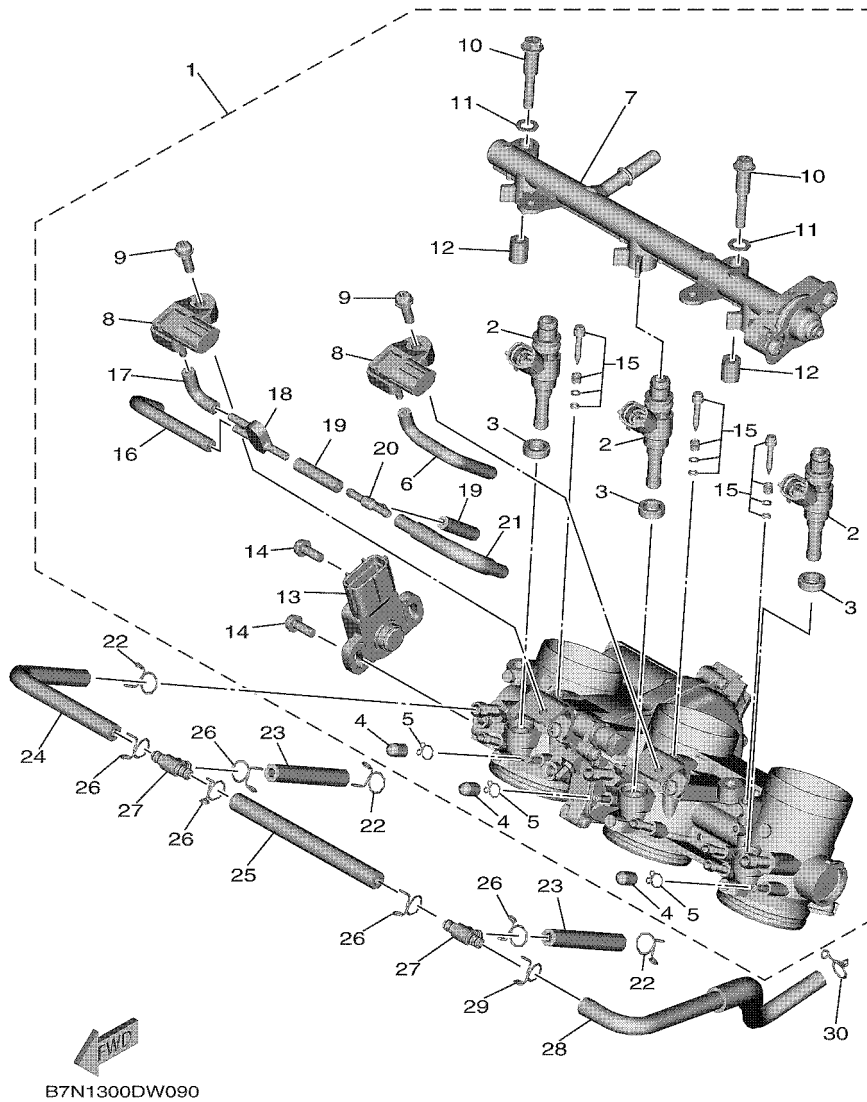


B7N1300DW080

**FIG. 8 OIL CLEANER**

REF. NO.	PART NO.	DESCRIPTION	B7N1	B7N8	REMARKS
1	90401-20012	BOLT, UNION	1	1	
2	5GH-13440-61	ELEMENT ASSY, OIL CLEANER	1	1	
3	B7N-13400-00	STRAINER COVER ASSY	1	1	
4	90340-14132	.PLUG, STRAIGHT SCREW	1	1	
5	214-11198-01	.GASKET	1	1	
6	B7N-13414-00	GASKET, STRAINER COVER	1	1	
7	90110-06390	BOLT, HEXAGON SOCKET HEAD	15	15	
8	BS2-13470-10	OIL COOLER ASSY	1	1	
9	2HC-13473-00	.O-RING	1	1	
10	90110-06164	BOLT, HEXAGON SOCKET HEAD	4	4	

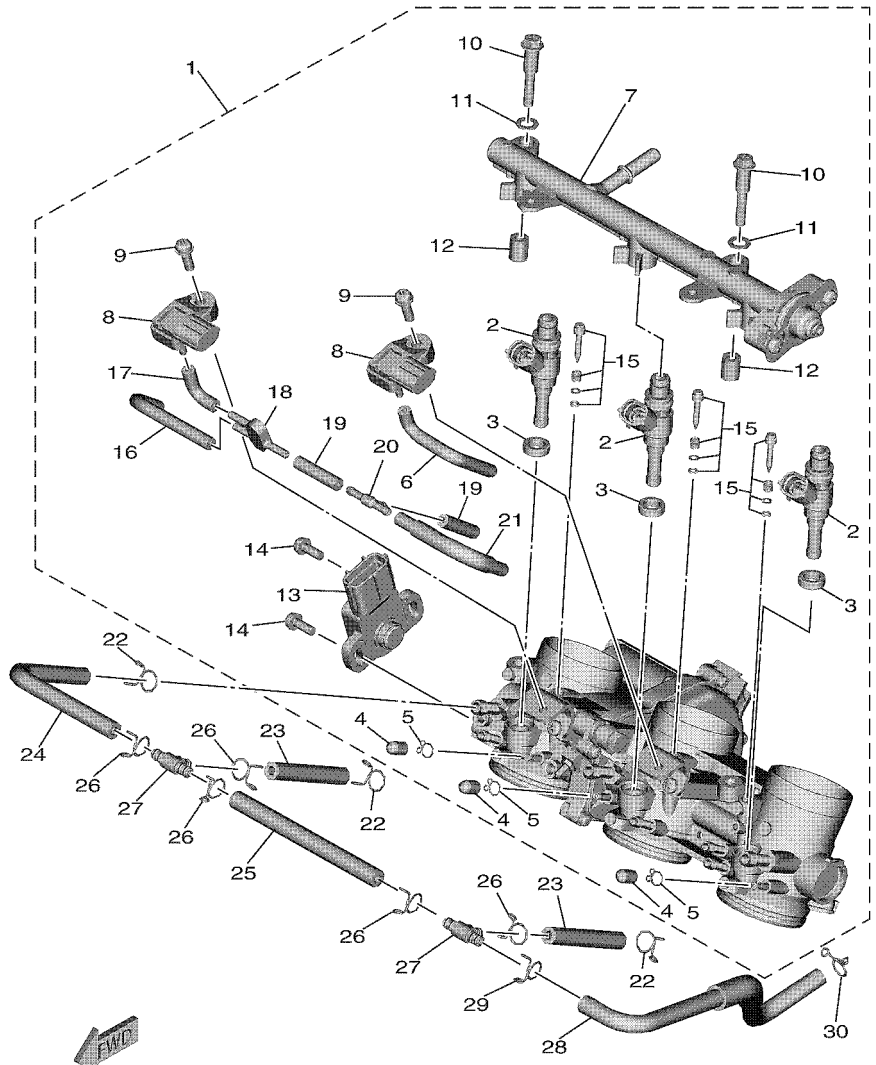
**FIG. 9 INTAKE**



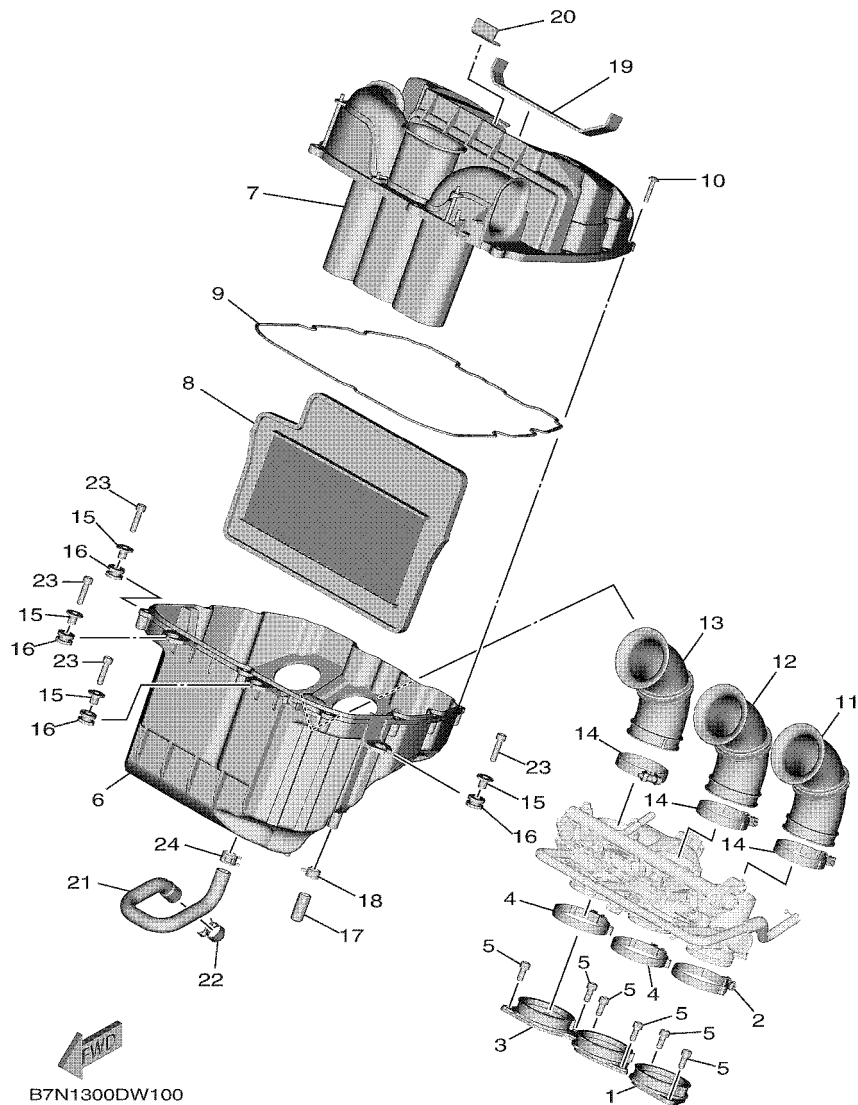
REF. NO.	PART NO.	DESCRIPTION			REMARKS
			B7N1	B7N8	
1	B7N-13750-00	THROTTLE BODY ASSY	1	1	
2	B7N-13761-00	.INJECTOR	3	3	
3	8FP-13556-00	.RUBBER, INJECTOR	3	3	
4	895-14169-00	.CAP	3	3	
5	8A7-14139-00	.CLIP, PIPE	3	3	
6	68V-13533-00	.HOSE, VACUUM SENSING 4	1	1	
7	B7N-13930-00	.PIPE INLET ASSEMBLY	1	1	
8	1WS-82380-00	.SENSOR, PRESSURE	2	2	
9	2C0-14216-00	.SCREW	2	2	
10	8HG-13573-00	.BOLT 1	2	2	
11	8GL-13571-00	.WASHER	2	2	
12	8HG-14534-00	.COLLAR	2	2	
13	B3L-85885-00	.THROTTLE SENSOR ASSY	1	1	
14	8CC-14216-10	.SCREW	2	2	
15	2C0-14105-00	.PILOT SCREW SET	3	3	
16	5FL-14348-00	.PIPE 1	1	1	
17	8FP-14349-00	.PIPE	1	1	
18	3XV-14251-00	.NIPPLE	1	1	
19	5FL-14348-10	.PIPE 1	2	2	
20	68V-24376-00	.PIPE, JOINT 1	1	1	
21	B7N-13542-00	.HOSE, VACUUM SENSING 1	1	1	
22	90467-100A1	CLIP	3	3	
23	90445-10066	HOSE	2	2	
24	90445-10638	HOSE (L145)	1	1	
25	90445-10007	HOSE (L110)	1	1	
26	90467-100A1	CLIP	5	5	
27	90413-06031	WAY 3	2	2	

FIG. 9 INTAKE

REF. NO.	PART NO.	DESCRIPTION	B7N1	B7N8	REMARKS
28	B7N-1443J-00	PIPE	1	1	
29	90467-09103	CLIP	1	1	
30	90467-090A2	CLIP	1	1	
-----					
-----					
-----					
-----					
-----					
-----					
-----					
-----					
-----					
-----					
-----					



B7N1300DW090

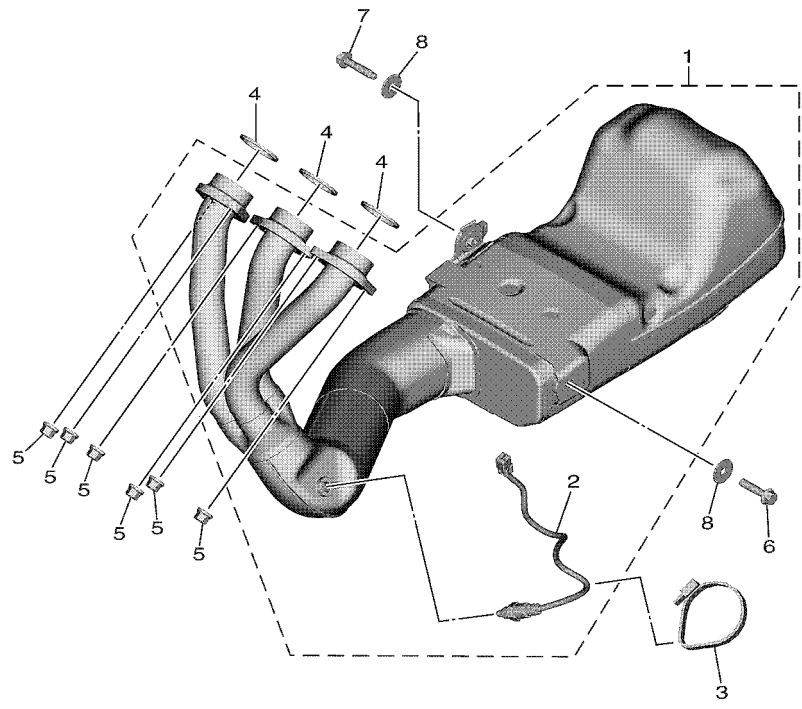


**FIG. 10 INTAKE 2**

REF. NO.	PART NO.	DESCRIPTION	B7N1	B7N8	REMARKS
1	B7N-13635-00	JOINT, INTAKE 1	1	1	
2	90450-58008	HOSE CLAMP ASSY	1	1	
3	B7N-13636-00	JOINT, INTAKE 2	1	1	
4	90450-58008	HOSE CLAMP ASSY	2	2	
5	90110-06168	BOLT, HEXAGON SOCKET HEAD	6	6	
6	B7N-14411-00	CASE, AIR CLEANER 1	1	1	
7	B7N-14402-00	CAP ASSY, AIR CLEANER	1	1	
8	B7N-14451-00	ELEMENT, AIR CLEANER	1	1	
9	14B-14452-00	SEAL	1	1	
10	90160-05013	SCREW, ROUND TAPPING	10	10	
11	B7N-14453-00	JOINT, AIR CLEANER 1	1	1	
12	B7N-14463-00	JOINT, AIR CLEANER 2	1	1	
13	B7N-14454-00	JOINT	1	1	
14	90450-53007	HOSE CLAMP ASSY	3	3	
15	90387-06205	COLLAR	4	4	
16	90480-12314	GROMMET	4	4	
17	1WS-1443E-00	PIPE, DRAIN	1	1	
18	90467-13083	CLIP	1	1	
19	B7N-14425-00	DAMPER 1	1	1	
20	B7N-14426-00	DAMPER 2	1	1	
21	B7N-15393-00	PIPE, BREATHER 2	1	1	
22	90467-17003	CLIP	1	1	
23	90110-06232	BOLT, HEXAGON SOCKET HEAD	4	4	
24	90467-15001	CLIP	1	1	

**FIG. 11 EXHAUST**

REF. NO.	PART NO.	DESCRIPTION			REMARKS
			B7N1	B7N8	
1	B7N-14710-00	MUFFLER ASSY 1	1	1	
2	1WS-8592A-10	.SENSOR, OXYGEN	1	1	
3	90464-65001	CLAMP	1	1	
4	4FM-14613-00	GASKET, EXHAUST PIPE	3	3	
5	90179-08410	NUT	6	6	
6	95812-08035	BOLT, FLANGE	1	1	
7	90109-08170	BOLT	1	1	
8	90201-087G2	WASHER, PLATE	2	2	



 B7N1300DW110

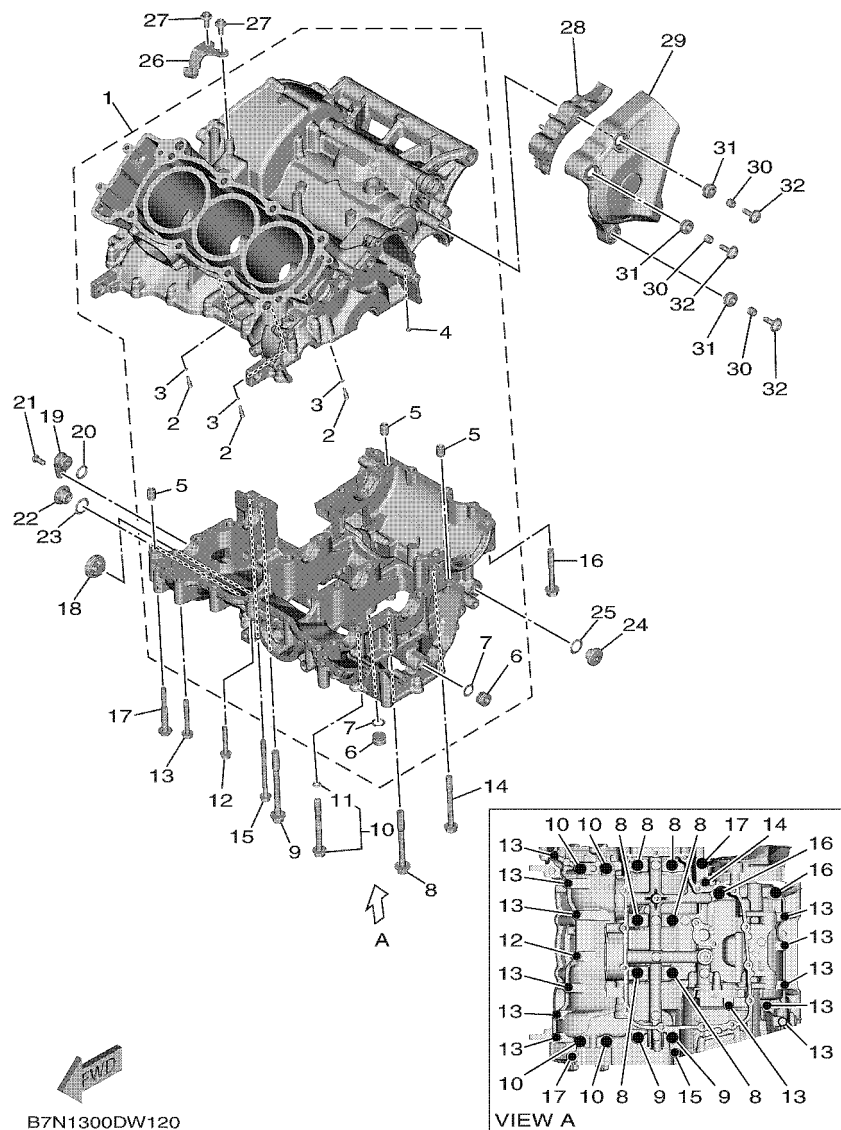
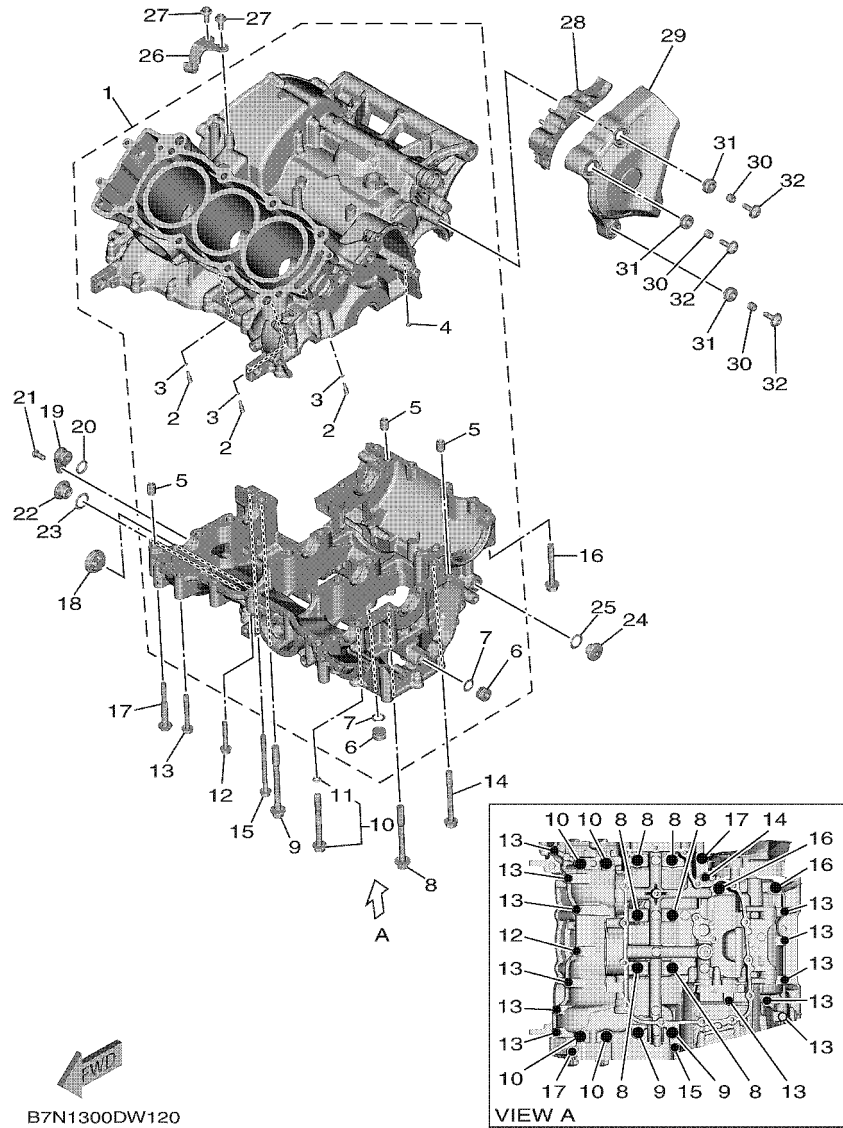


FIG. 12 CRANKCASE

REF. NO.	PART NO.	DESCRIPTION			REMARKS
			B7N1	B7N8	
1	B7N-15100-09	CRANKCASE ASSY	1	1	
2	5EB-15155-00	.NOZZLE 3	3	3	
3	93210-04092	.O-RING	3	3	
4	B7N-15138-00	.NOZZLE 1	1	1	
5	99530-10014	.PIN, DOWEL	3	3	
6	90338-16262	.PLUG	2	2	
7	93210-12790	.O-RING	2	2	
8	90119-09013	BOLT, WITH WASHER	6	6	
9	90119-09010	BOLT, WITH WASHER	2	2	
10	23P-15156-00	BOLT, CRANKCASE JOURNAL	4	4	
11	93210-07540	.O-RING	1	1	
12	95812-06040	BOLT, FLANGE	1	1	
13	95812-06050	BOLT, FLANGE	12	12	
14	95812-06065	BOLT, FLANGE	1	1	
15	90105-06202	BOLT, FLANGE	1	1	
16	95812-08060	BOLT, FLANGE	2	2	
17	90109-06100	BOLT	2	2	
18	2H7-15361-00	GAUGE, LEVEL	1	1	
19	2CR-15319-01	JOINT	1	1	
20	93210-13657	O-RING	1	1	
21	90149-06068	SCREW	1	1	
22	36Y-15189-00	PLUG	1	1	
23	93210-16325	O-RING	1	1	
24	90340-14011	PLUG, STRAIGHT SCREW	1	1	
25	93210-14369	O-RING	1	1	
26	B7N-15441-00	HOLDER, CLUTCH CABLE	1	1	
27	90110-06431	BOLT, HEXAGON SOCKET HEAD	2	2	

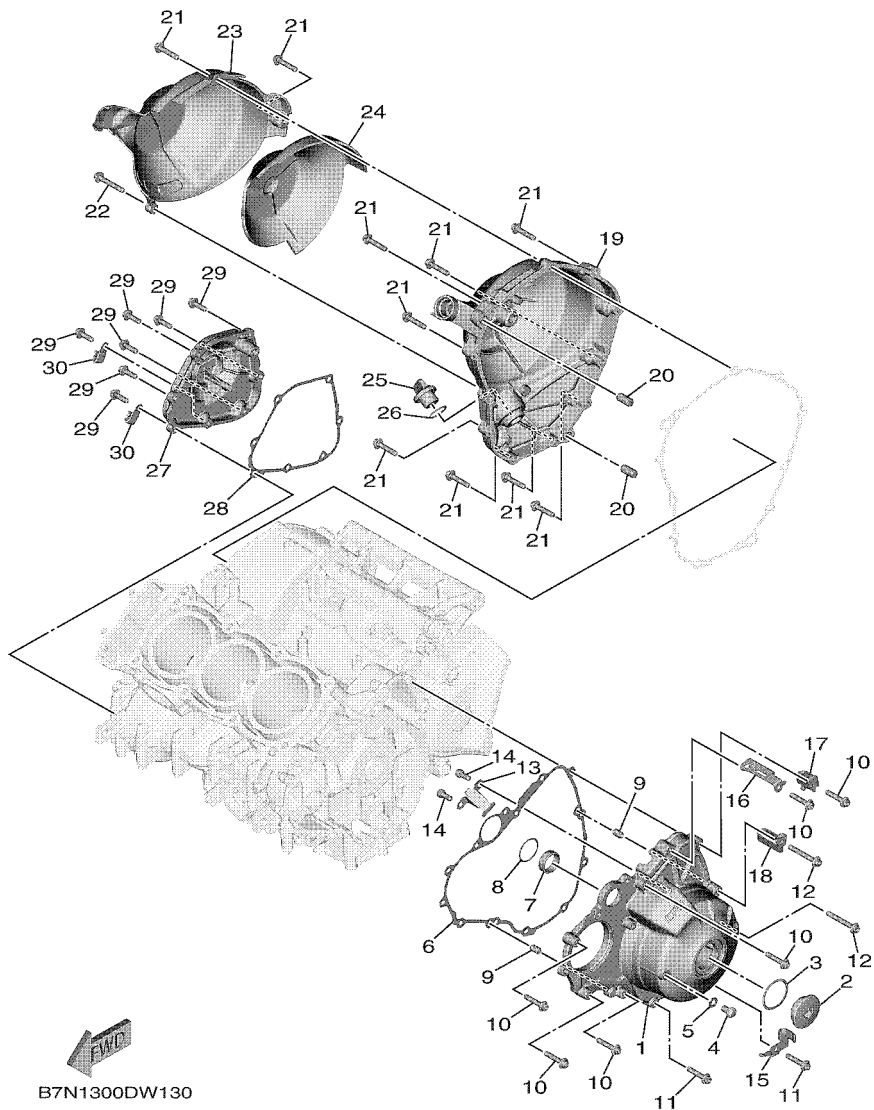


**FIG. 12 CRANKCASE**

REF. NO.	PART NO.	DESCRIPTION			REMARKS
			B7N1	B7N8	
28	B7N-15377-00	GUIDE, INLET	1	1	
29	B7N-15418-00	COVER, CHAIN CASE	1	1	
30	90387-06286	COLLAR	3	3	
31	90480-13018	GROMMET	3	3	
32	90111-06188	BOLT,HEX. SOCKET BUTTON	3	3	
<hr/>					
<hr/>					
<hr/>					
<hr/>					
<hr/>					
<hr/>					
<hr/>					
<hr/>					



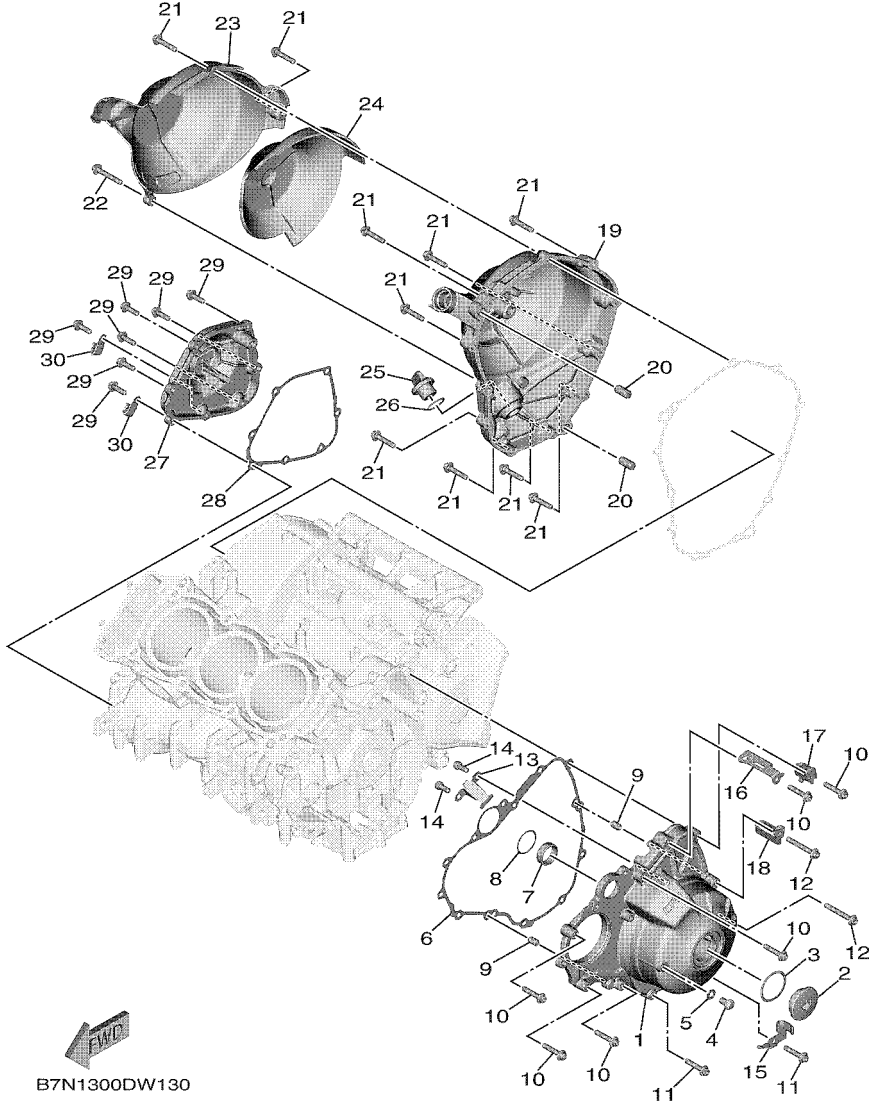
**FIG. 13 CRANKCASE COVER 1**



B7N1300DW130

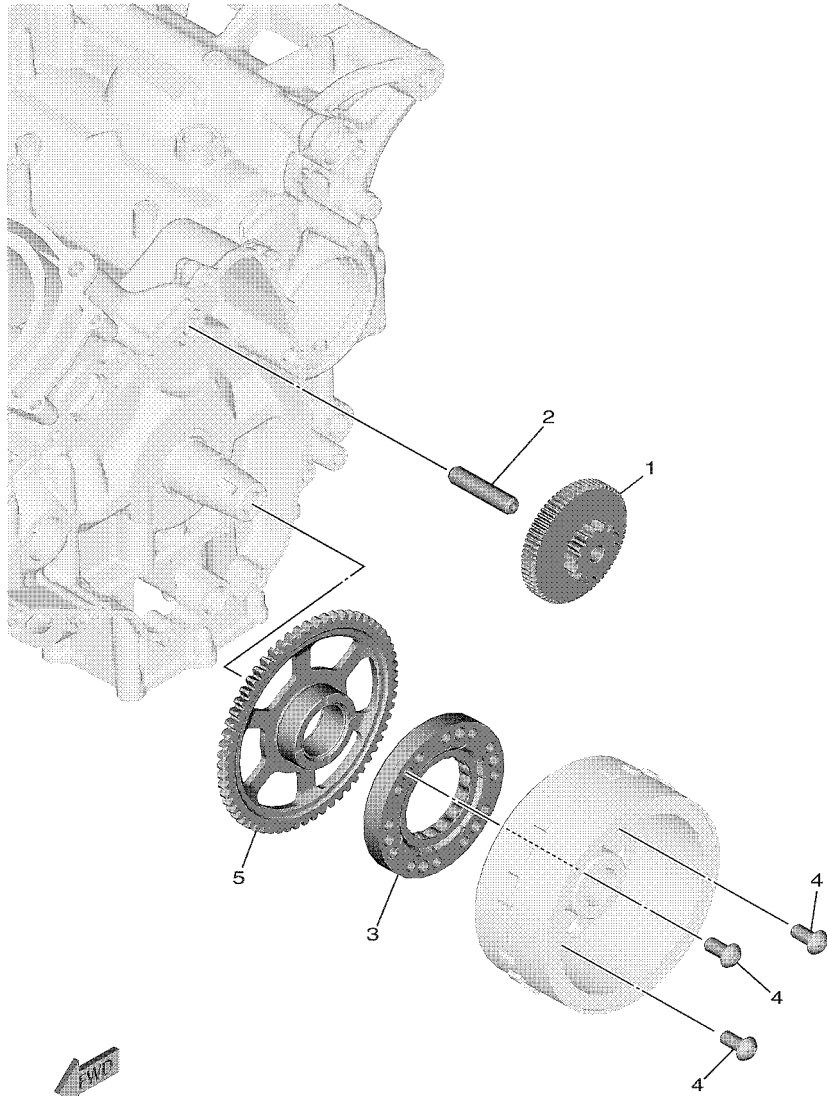
REF. NO.	PART NO.	DESCRIPTION	B7N1	B7N8	REMARKS
1	B7N-15411-00	COVER, CRANKCASE 1	1	1	
2	90340-36008	PLUG, STRAIGHT SCREW	1	1	
3	93210-357A3	O-RING	1	1	
4	92017-08012	BOLT, BUTTON HEAD	1	1	
5	90430-08143	GASKET	1	1	
6	BD5-15451-00	GASKET, CRANKCASE COVER 1	1	1	
7	1RC-12564-00	PIPE, WATER	1	1	
8	93210-28543	O-RING	1	1	
9	99530-08012	PIN, DOWEL	2	2	
10	90110-06388	BOLT, HEXAGON SOCKET HEAD	6	6	
11	90110-06389	BOLT, HEXAGON SOCKET HEAD	2	2	
12	90110-06394	BOLT, HEXAGON SOCKET HEAD	2	2	
13	1RC-15484-00	CLAMP 2	1	1	
14	90110-06168	BOLT, HEXAGON SOCKET HEAD	2	2	
15	B7N-15199-00	BRACKET	1	1	
16	B7N-14867-00	BRACKET	1	1	
17	B7N-14868-00	BRACKET 2	1	1	
18	B7N-14869-00	BRACKET 3	1	1	
19	B7N-15421-00	COVER, CRANKCASE 2	1	1	
20	93610-20189	PIN, DOWEL	2	2	
21	90110-06388	BOLT, HEXAGON SOCKET HEAD	10	10	
22	90110-06321	BOLT, HEXAGON SOCKET HEAD	1	1	
23	B7N-15499-00	PROTECTOR, COVER	1	1	
24	B7N-15789-00	DAMPER	1	1	
25	5GJ-15363-10	PLUG, OIL	1	1	
26	93210-19123	O-RING	1	1	
27	B7N-15416-00	COVER, OIL PUMP	1	1	

FIG. 13 CRANKCASE COVER 1



B7N1300DW130

REF. NO.	PART NO.	DESCRIPTION			REMARKS
			B7N1	B7N8	
28	B7N-15456-00	GASKET, OIL PUMP COVER 1	1	1	
29	90110-06396	BOLT, HEXAGON SOCKET HEAD	7	7	
30	90465-06M90	CLAMP	2	2	
-----					
-----					
-----					
-----					
-----					
-----					
-----					
-----					
-----					
-----					



B7N1300DW140

**FIG. 14 STARTER**

REF. NO.	PART NO.	DESCRIPTION			REMARKS
			B7N1	B7N8	
1	1RC-15512-10	GEAR, IDLER 1	1	1	
2	5EB-15521-00	SHAFT 1	1	1	
3	1RC-15590-00	STARTER ONE-WAY ASSY	1	1	
4	90149-08030	SCREW	3	3	
5	1RC-15515-10	GEAR 3	1	1	
-----					
-----					
-----					
-----					
-----					
-----					
-----					
-----					
-----					
-----					
-----					

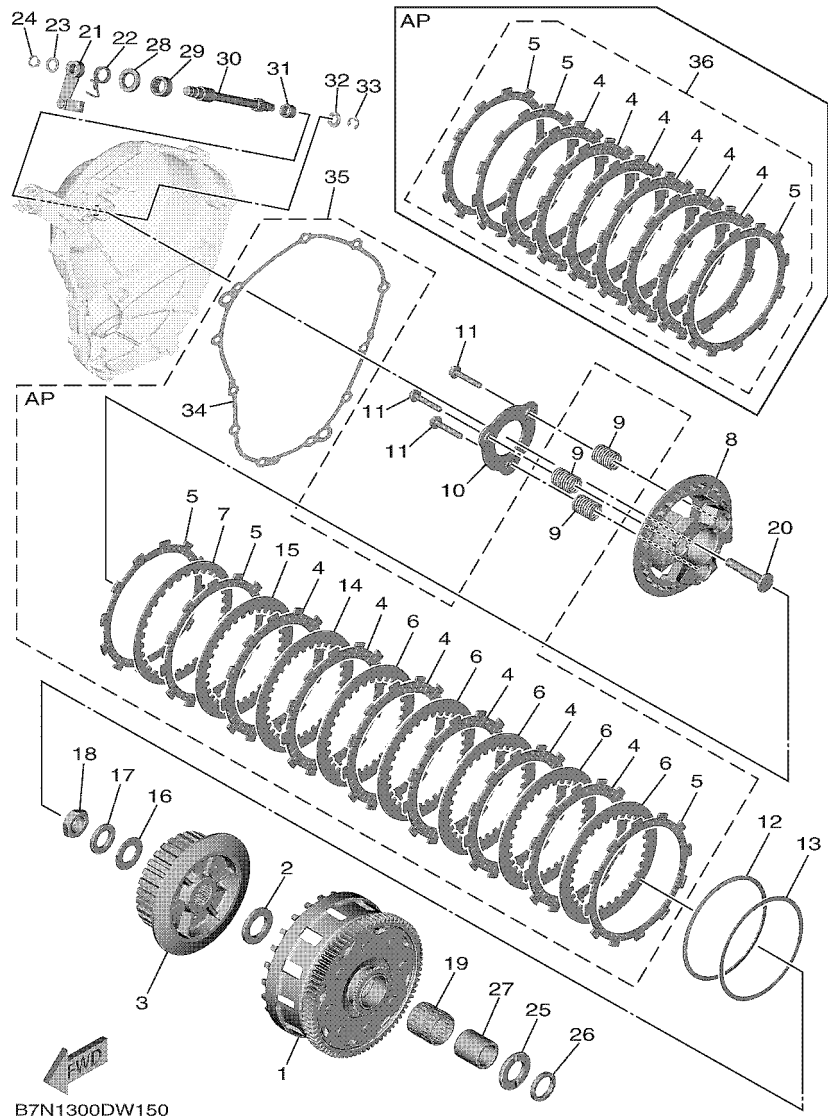


FIG. 15 CLUTCH

REF. NO.	PART NO.	DESCRIPTION			REMARKS
			B7N1	B7N8	
1	B7N-16150-00	PRIMARY DRIVEN GEAR COMP.	1	1	
2	363-16154-00	PLATE, THRUST 1	1	1	
3	B7N-16371-00	BOSS, CLUTCH	1	1	
4	B7N-16321-00	PLATE, FRICTION	6	6	
5	B90-16331-00	PLATE, FRICTION 2	3	3	
6	5VY-16325-00	PLATE, CLUTCH 2	5	5	(T2.0)
7	1TD-16324-00	PLATE, CLUTCH 1	1	1	(T2.3)
8	B7N-16350-00	PRESSURE PLATE ASSY	1	1	
9	B7N-16173-00	SPRING, COMPRESSION	3	3	
10	B90-16352-00	PLATE, PRESSURE 2	1	1	
11	2CR-16337-00	SCREW, SPRING	3	3	
12	1TD-16383-01	SPRING, CUSHION	1	1	
13	1TD-16384-00	PLATE, SEAT	1	1	
14	4B1-16325-00	PLATE, CLUTCH 2	1	1	UR (T2.3)
	BR9-16324-00	PLATE, CLUTCH 1	1	1	UR (T1.6)
	5VY-16325-00	PLATE, CLUTCH 2	1	1	UR (T2.0)
15	4B1-16325-00	PLATE, CLUTCH 2	1	1	UR (T2.3)
	BR9-16324-00	PLATE, CLUTCH 1	1	1	UR (T1.6)
	5VY-16325-00	PLATE, CLUTCH 2	1	1	UR (T2.0)
16	90201-20030	WASHER, PLATE	1	1	
17	90208-20001	WASHER, CONICAL SPRING	1	1	
18	90179-20010	NUT	1	1	
19	93310-33277	BEARING	1	1	
20	B7N-16356-00	ROD, PUSH 1	1	1	
21	1RC-16340-00	PUSH LEVER ASSY	1	1	
22	90508-18051	SPRING, TORSION	1	1	
23	90201-10029	WASHER, PLATE	1	1	

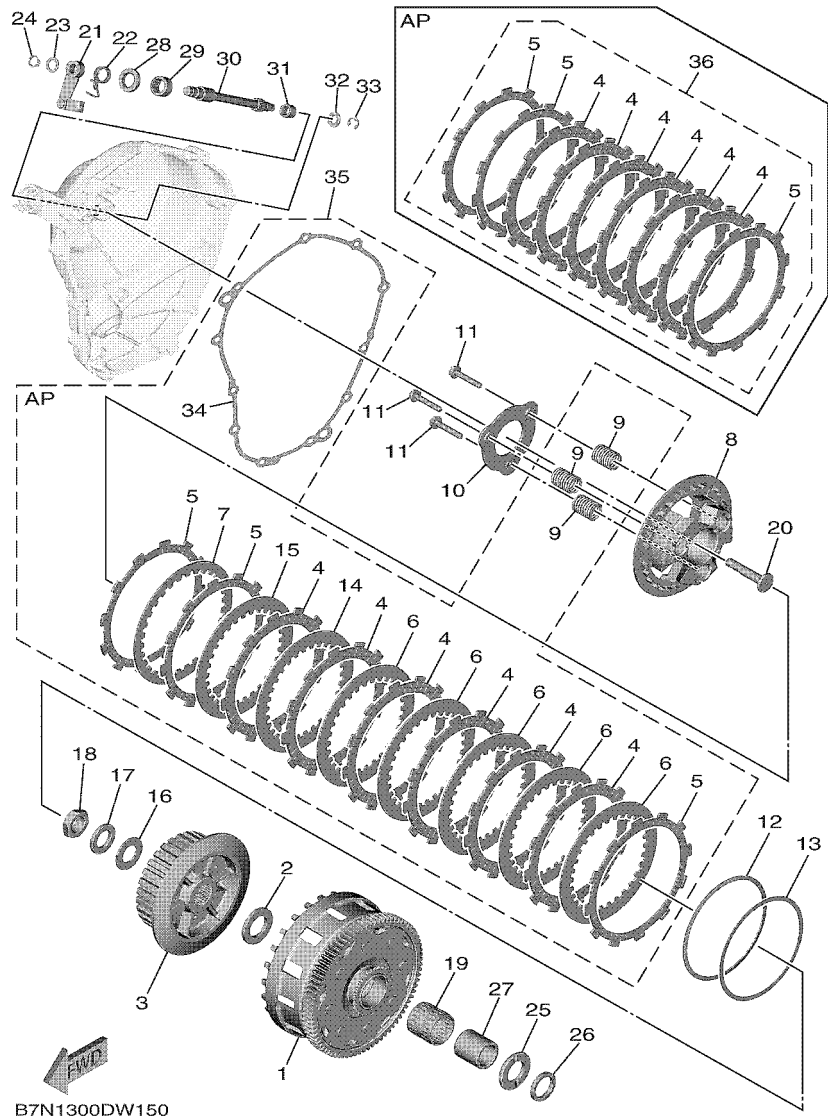
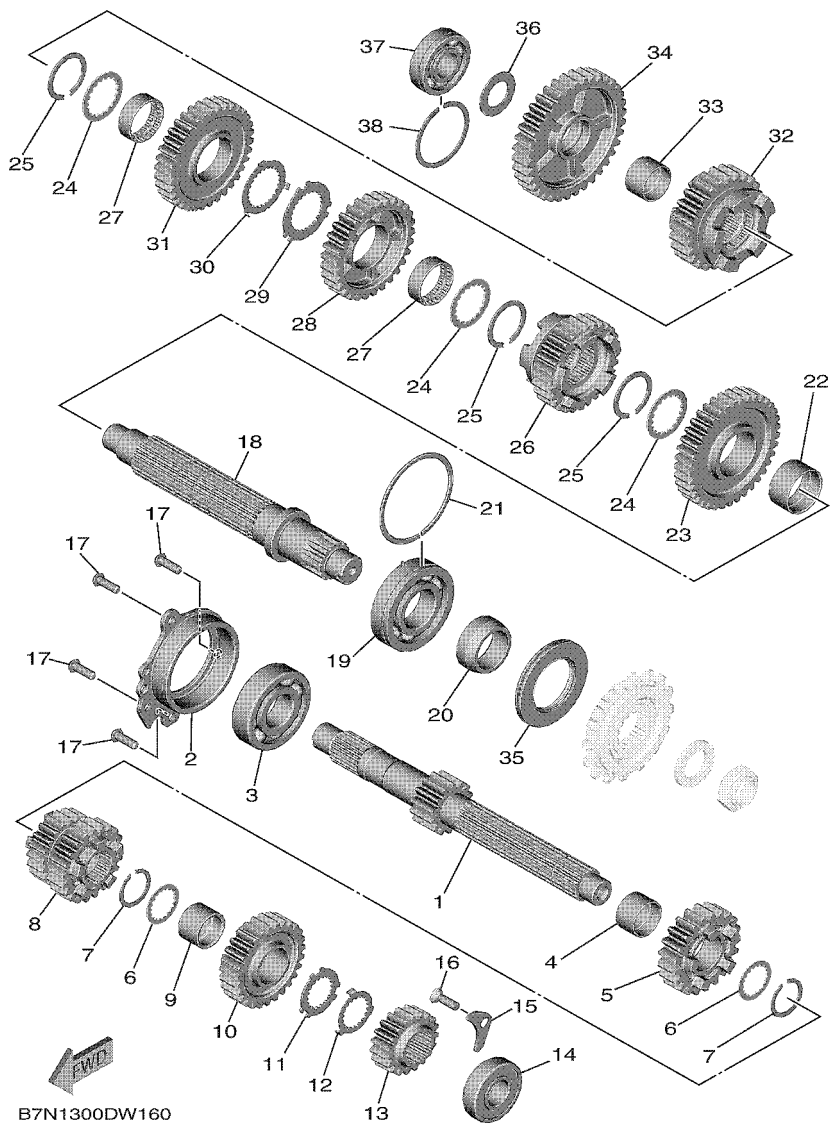


FIG. 15 CLUTCH

REF. NO.	PART NO.	DESCRIPTION			REMARKS
			B7N1	B7N8	
24	99009-10400	CIRCLIP	1	1	
25	B7N-16164-00	PLATE, THRUST 2	1	1	
26	2C0-16164-00	PLATE, THRUST 2	1	1	
27	1RC-16181-00	SPACER 1	1	1	
28	93102-15212	OIL SEAL	1	1	
29	93315-21570	BEARING	1	1	
30	5VY-16382-10	AXLE, PUSH LEVER	1	1	
31	93317-11096	BEARING	1	1	
32	92907-08600	WASHER, PLATE	1	1	
33	99001-07600	CIRCLIP	1	1	
34	B7N-15461-00	GASKET, CRANKCASE COVER 2	1	1	
35	B7N-W001G-00	CLUTCH PLATE KIT	1	1	AP
36	B7N-W001M-00	FRICTION PLATE KIT	1	1	AP



**FIG. 16 TRANSMISSION**

REF. NO.	PART NO.	DESCRIPTION			REMARKS
			B7N1	B7N8	
1	B7N-17411-01	AXLE, MAIN (14T)	1	1	
2	B7N-15163-00	HOUSING, BEARING 1	1	1	
3	93306-30534	BEARING	1	1	
4	90387-25040	COLLAR	1	1	
5	B7N-17151-01	GEAR, 5TH PINION (21T)	1	1	
6	90209-22008	WASHER	2	2	
7	93440-25186	CIRCLIP	2	2	
8	B7N-17131-01	GEAR, 3RD PINION (21T/21T)	1	1	
9	90387-22006	COLLAR	1	1	
10	B7N-17161-01	GEAR, 6TH PINION (27T)	1	1	
11	90214-22003	WASHER, CLAW	1	1	
12	90214-22002	WASHER, CLAW	1	1	
13	B7N-17121-01	GEAR, 2ND PINION (19T)	1	1	
14	93306-20487	BEARING	1	1	
15	B7N-15381-00	PLATE, BEARING COVER	1	1	
16	90149-06086	SCREW	1	1	
17	90149-06213	SCREW	4	4	
18	B7N-17421-01	AXLE, DRIVE	1	1	
19	93306-20663	BEARING	1	1	
20	90387-30012	COLLAR	1	1	
21	93440-64199	CIRCLIP	1	1	
22	90387-31004	COLLAR	1	1	
23	B7N-17221-01	GEAR, 2ND WHEEL (37T)	1	1	
24	90209-28008	WASHER	3	3	
25	93440-31187	CIRCLIP	3	3	
26	B7N-17261-01	GEAR, 6TH WHEEL (28T)	1	1	
27	90387-28030	COLLAR	2	2	

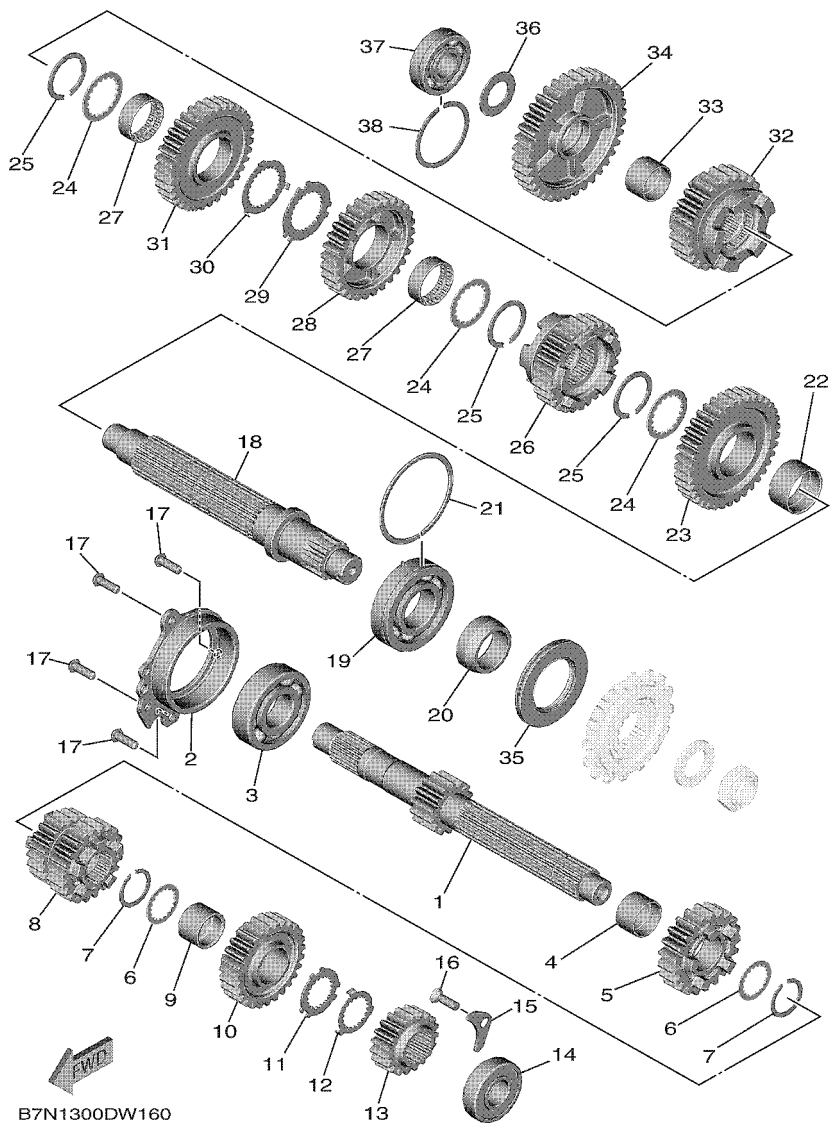
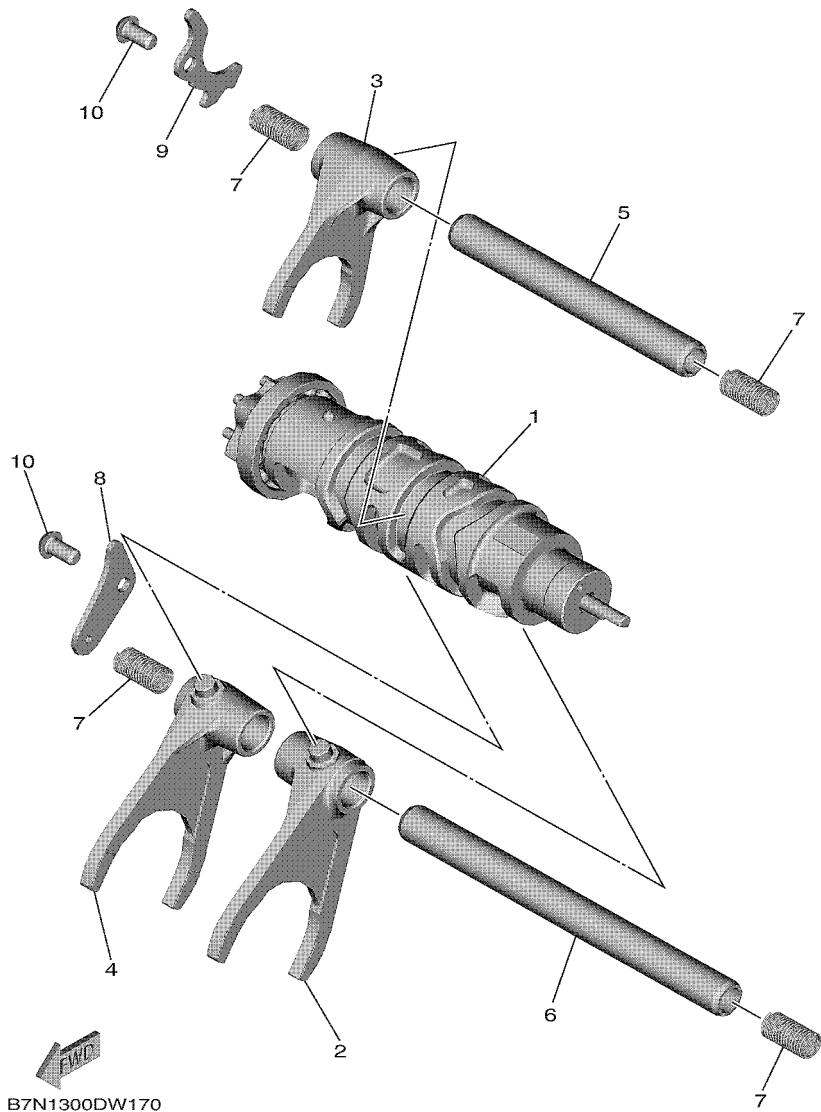


FIG. 16 TRANSMISSION

REF. NO.	PART NO.	DESCRIPTION			REMARKS
			B7N1	B7N8	
28	B7N-17241-01	GEAR, 4TH WHEEL (29T)	1	1	
29	90214-29002	WASHER, CLAW	1	1	
30	90214-28002	WASHER, CLAW	1	1	
31	B7N-17231-01	GEAR, 3RD WHEEL (34T)	1	1	
32	B7N-17251-01	GEAR, 5TH WHEEL (25T)	1	1	
<hr/>					
33	90387-25040	COLLAR	1	1	
34	B7N-17211-01	GEAR, 1ST WHEEL (36T)	1	1	
35	93102-40030	OIL SEAL	1	1	
36	90201-20008	WASHER, PLATE	1	1	
37	93306-20486	BEARING	1	1	
38	B7N-17414-00	CLIP	1	1	
<hr/>					
<hr/>					
<hr/>					
<hr/>					
<hr/>					
<hr/>					
<hr/>					

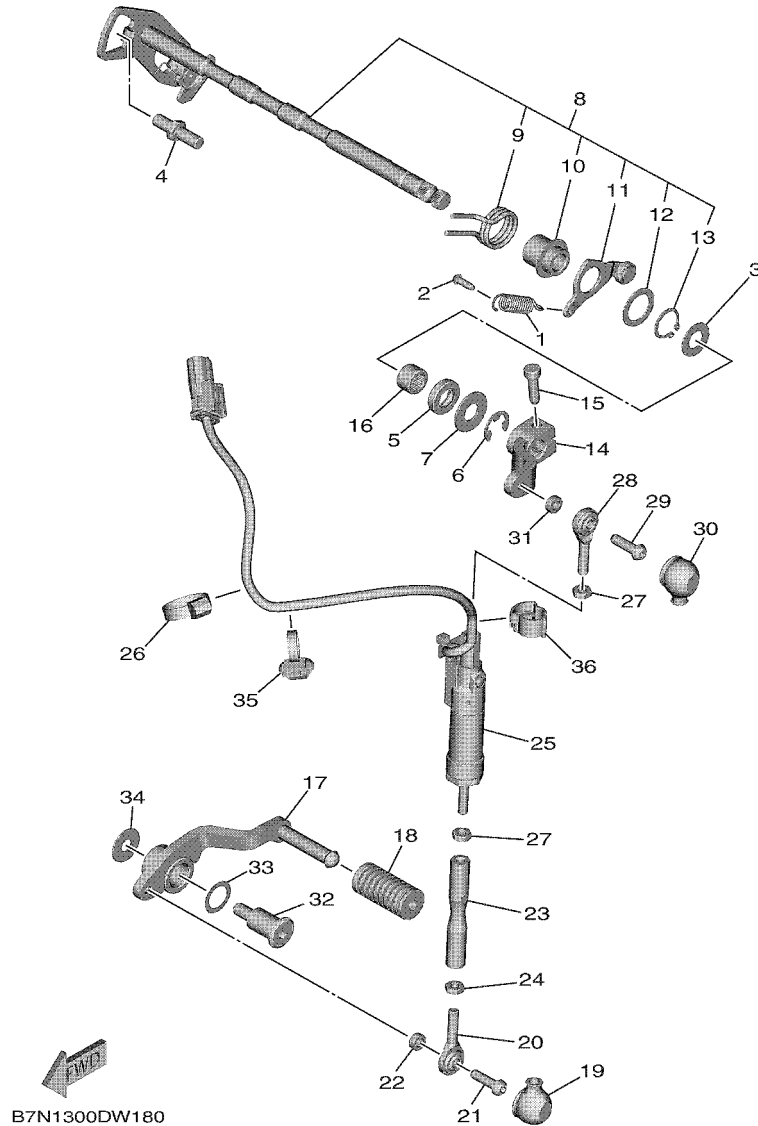


**FIG. 17 SHIFT CAM & FORK**

REF. NO.	PART NO.	DESCRIPTION	B7N1	B7N8	REMARKS
1	B7N-18540-01	SHIFT CAM ASSY	1	1	
2	1RC-18511-00	FORK, SHIFT 1	1	1	
3	1RC-18512-00	FORK, SHIFT 2	1	1	
4	1RC-18513-00	FORK, SHIFT 3	1	1	
5	B7N-18531-00	BAR, SHIFT FORK GUIDE 1	1	1	
6	B7N-18535-00	BAR, SHIFT FORK GUIDE 2	1	1	
7	90501-080A2	SPRING, COMPRESSION	4	4	
8	2C0-18536-00	STOPPER, SHIFT BAR	1	1	
9	B7N-18562-00	PLATE, STOPPER 2	1	1	
10	90149-06158	SCREW	2	2	



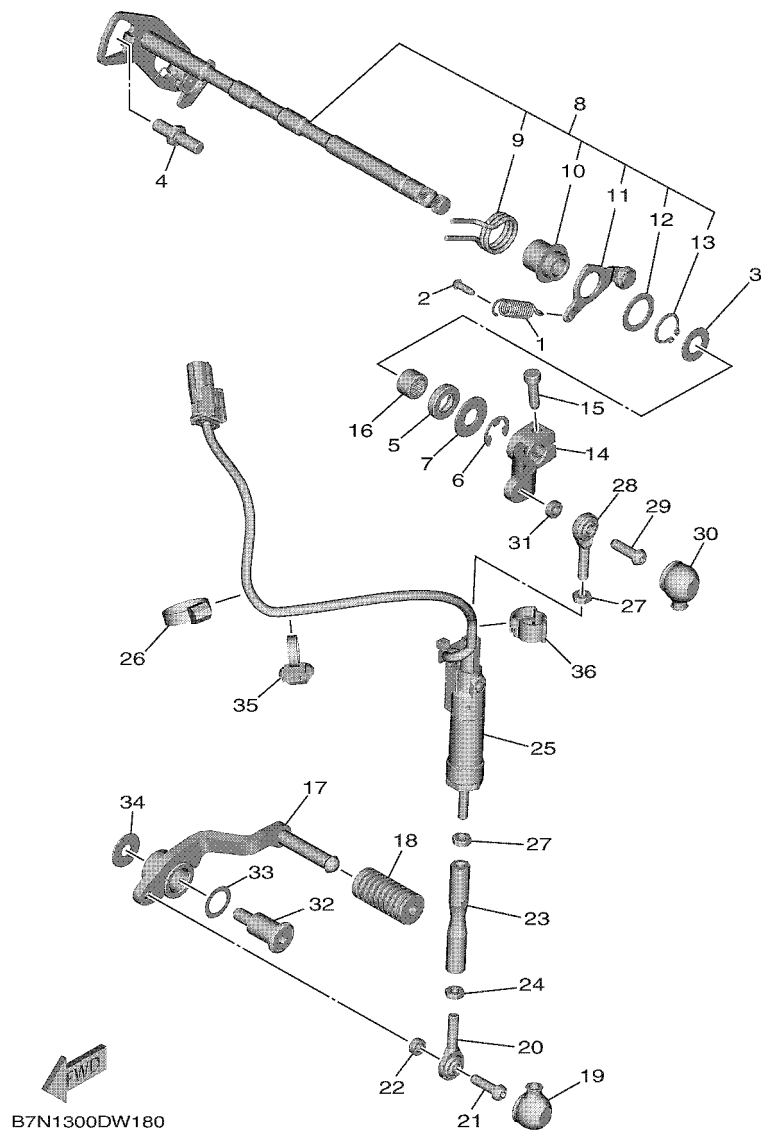
**FIG. 18 SHIFT SHAFT**



B7N1300DW180

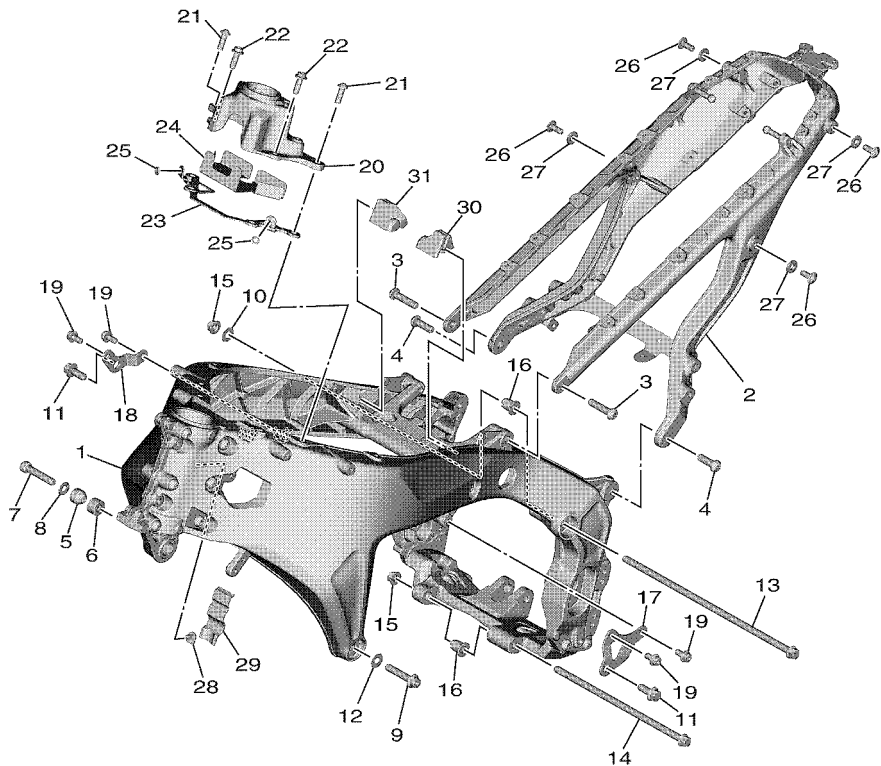
REF. NO.	PART NO.	DESCRIPTION			REMARKS
			B7N1	B7N8	
1	B7N-18143-00	SPRING	1	1	
2	132-16346-00	HOOK, SPRING	1	1	
3	90201-127E1	WASHER, PLATE	1	1	
4	1D7-18127-00	STOPPER, SCREW	1	1	
5	93102-12106	OIL SEAL (SD 12-22-5 HS)	1	1	
6	99002-10600	CIRCLIP	1	1	
7	90201-12575	WASHER, PLATE	1	1	
8	B7N-18101-00	SHIFT SHAFT ASSY	1	1	
9	90508-32141	.SPRING, TORSION	1	1	
10	B7N-18175-00	.SPACER	1	1	
11	B7N-18140-00	.STOPPER LEVER ASSY	1	1	
12	90201-177G4	.WASHER, PLATE	1	1	
13	99009-17400	.CIRCLIP	1	1	
14	B7N-18112-00	ARM, SHIFT	1	1	
15	91312-06020	BOLT, HEXAGON SOCKET HEAD	1	1	
16	93317-11295	BEARING	1	1	
17	B7N-18111-00	PEDAL, SHIFT	1	1	
18	5EB-18113-00	COVER, SHIFT PEDAL	1	1	
19	4XV-18154-00	COVER, DUST	1	1	
20	5LV-18117-00	JOINT, ROD 2	1	1	
21	90111-06098	BOLT,HEX. SOCKET BUTTON	1	1	
22	90387-06322	COLLAR	1	1	
23	B7N-18115-00	ROD, SHIFT	1	1	
24	90170-06228	NUT (COUNTER CLOCKWISE)	1	1	
25	B7N-82480-00	SHIFT SENSOR ASSY.	1	1	
26	90464-13077	CLAMP	1	1	(95.0X7.0)
27	95304-06700	NUT	2	2	

**FIG. 18 SHIFT SHAFT**



REF. NO.	PART NO.	DESCRIPTION	B7N1	B7N8	REMARKS
28	5LV-18116-00	JOINT, ROD 1	1	1	
29	90111-06098	BOLT,HEX. SOCKET BUTTON	1	1	
30	4XV-18154-00	COVER, DUST	1	1	
31	90387-06322	COLLAR	1	1	
32	4C8-27434-00	BOLT	1	1	
33	90206-14086	WASHER, WAVE	1	1	
34	90201-08103	WASHER, PLATE	1	1	
35	90464-25009	CLAMP	1	1	
36	90464-14010	CLAMP	1	1	

**FIG. 19 FRAME**

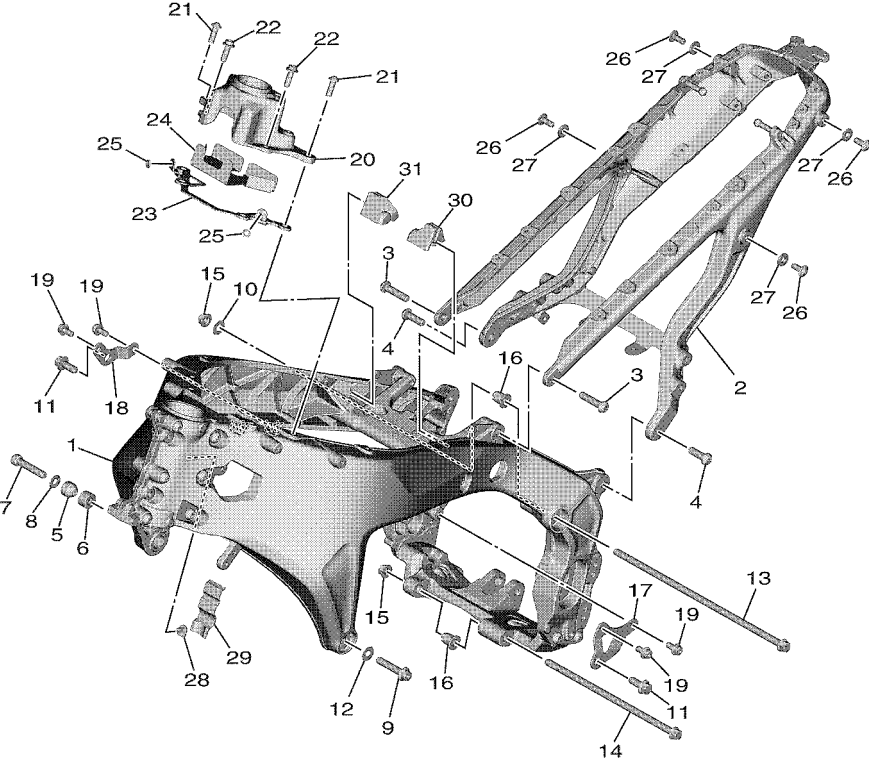


  
 B7N1300DW190

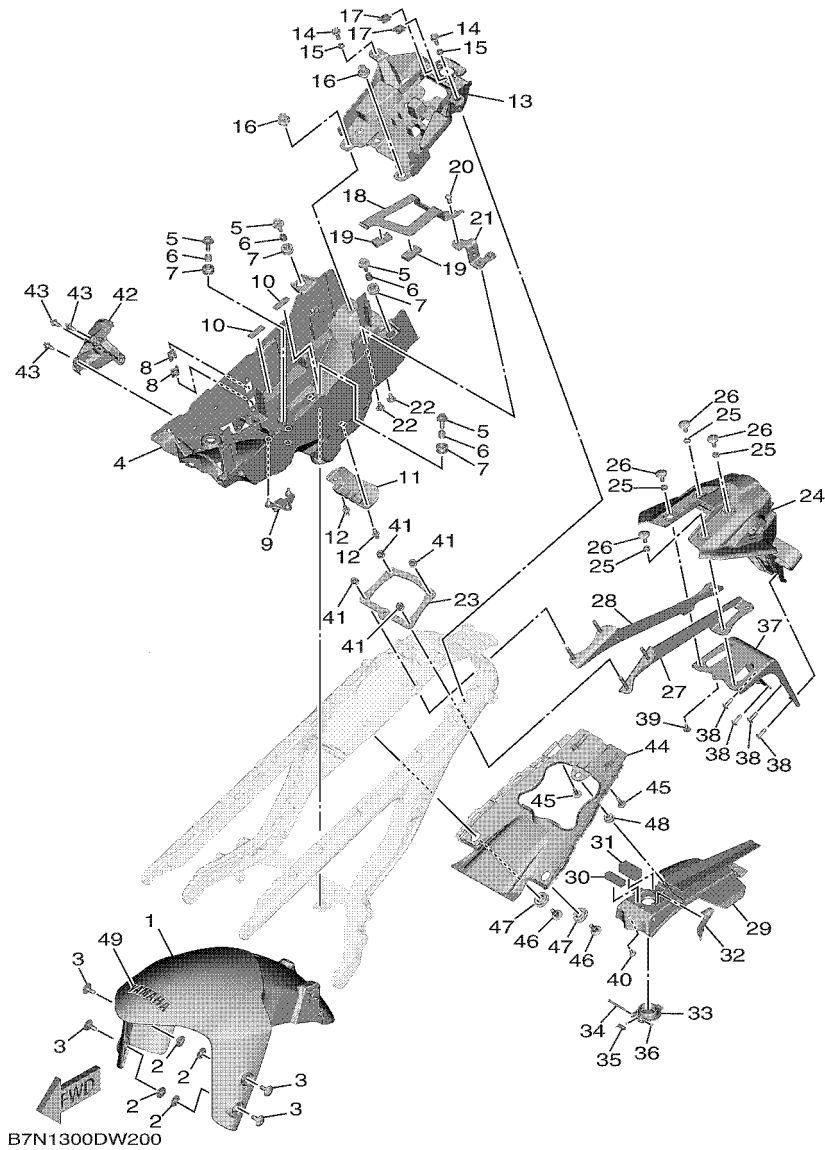
REF. NO.	PART NO.	DESCRIPTION			REMARKS
			B7N1	B7N8	
1	B7N-2111B-09-P0	FRAME SUB COMP.	1	1	MDNM9
2	B7N-21190-09-P0	REAR FRAME COMP.	1	1	MDNM9
3	90149-10076	SCREW	2	2	
4	90149-10074	SCREW	2	2	
5	2C0-21414-00	BOSS, ENGINE MOUNT	1	1	
6	5VY-21424-00	BOSS, ENGINE MOUNT	1	1	
7	91314-10050	BOLT, HEXAGON SOCKET HEAD	1	1	
8	90201-10013	WASHER, PLATE	1	1	
9	90110-10043	BOLT, HEXAGON SOCKET HEAD	1	1	
10	90201-10084	WASHER, PLATE	1	1	
11	95D37-10025	BOLT, FLANGE DEEP RECESS	2	2	
12	90201-10075	WASHER, PLATE	1	1	
13	90105-10487	BOLT, FLANGE	1	1	
14	90105-10488	BOLT, FLANGE	1	1	
15	90179-10247	NUT	2	2	
16	4C8-21495-00	BOLT, ENGINE ADJUSTING	2	2	
17	B7N-21315-00	STAY, ENGINE 1	1	1	
18	B7N-21316-01	STAY, ENGINE 2	1	1	
19	90109-085E2	BOLT	4	4	
20	B7N-2137F-00	STAY 1	1	1	
21	90109-08246	BOLT	2	2	
22	90110-08126	BOLT, HEXAGON SOCKET HEAD	2	2	
23	B7N-2137G-00	STAY 2	1	1	
24	B7N-23892-00	SHIELD, HEAT	1	1	
25	5SL-84753-00	DAMPER	2	2	
26	90109-08263	BOLT	4	4	
27	90201-08100	WASHER, PLATE	4	4	

**FIG. 19 FRAME**

REF. NO.	PART NO.	DESCRIPTION			REMARKS
			B7N1	B7N8	
28	5VX-21289-00	PLUG, BLIND	1	1	
29	34D-82176-00	DAMPER	1	1	
30	B7N-2117F-00	COVER	1	1	
31	B7N-2117M-00	COVER 2	1	1	
-----					
-----					
-----					
-----					
-----					
-----					
-----					
-----					
-----					

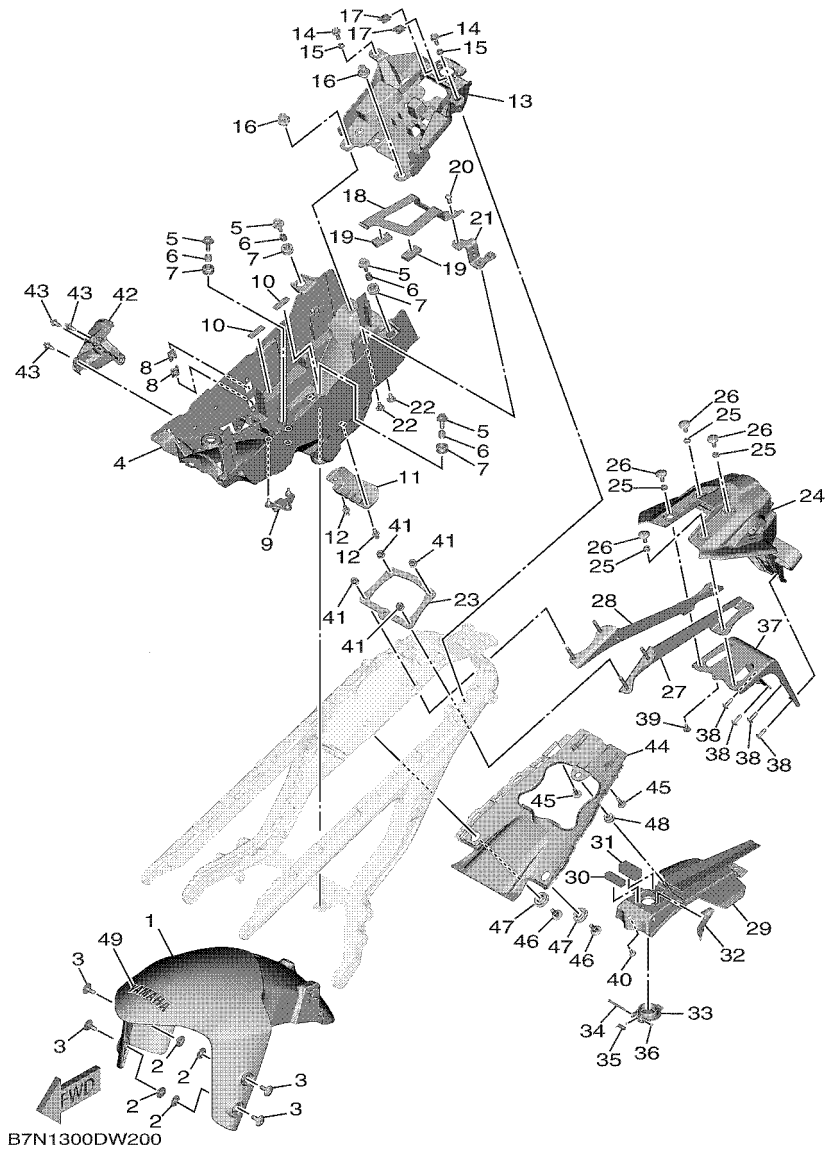


B7N1300DW190



**FIG. 20 FENDER**

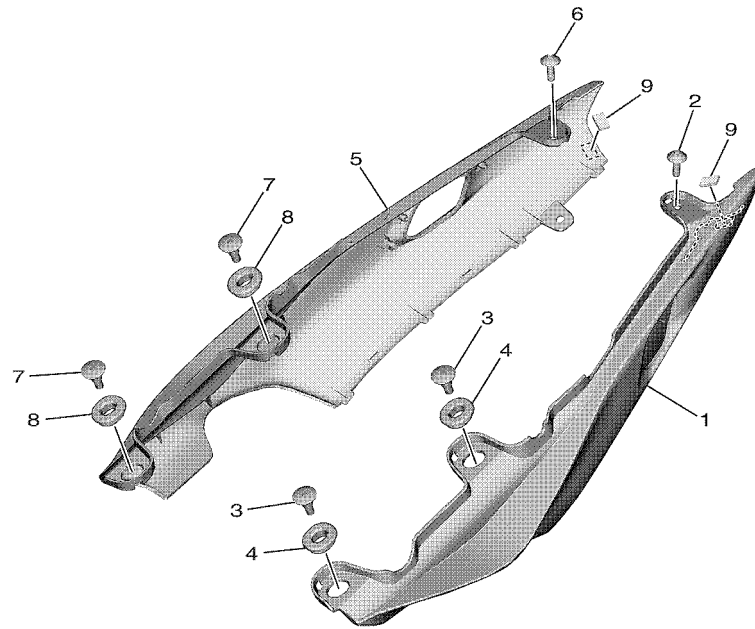
REF. NO.	PART NO.	DESCRIPTION			REMARKS
			B7N1	B7N8	
1	B7N-21511-00-P0	FENDER, FRONT	1	1	MBNM3 FOR DPBMC  FOR PGD,MDNM6
	B7N-21511-00-P1	FENDER, FRONT	1	1	
2	90387-07717	COLLAR	4	4	
3	90111-06191	BOLT,HEX. SOCKET BUTTON	4	4	
4	B7N-8212B-00	BOX, BATTERY 1	1	1	
5	90119-06313	BOLT, WITH WASHER	4	4	
6	90387-060A7	COLLAR	4	4	
7	90480-14035	GROMMET	4	4	
8	90183-06069	NUT, SPRING	2	2	
9	B7N-2135F-00	COVER	1	1	
10	B7N-21649-00	DAMPER	2	2	
11	B7N-2160F-00	LID	1	1	
12	90269-06018	RIVET	2	2	
13	B7N-2160E-00	BOX	1	1	
14	95D32-06016	BOLT, FLANGE DEEP RECESS	2	2	
15	90387-060U2	COLLAR	2	2	
16	90269-07076	RIVET	2	2	
17	90183-06069	NUT, SPRING	2	2	
18	B7N-82137-00	BAND, BATTERY	1	1	
19	90520-06009	DAMPER, PLATE	2	2	
20	92012-06012	BOLT, BUTTON HEAD	1	1	
21	B7N-21688-00	BRACKET, REAR STAY	1	1	
22	90111-05049	BOLT,HEX. SOCKET BUTTON	2	2	
23	B7N-21261-00	BRACKET, REAR FENDER	1	1	
24	B7N-21629-00	GUARD, MUD	1	1	
25	90387-06372	COLLAR	4	4	
26	90111-06190	BOLT,HEX. SOCKET BUTTON	4	4	



**FIG. 20 FENDER**

REF. NO.	PART NO.	DESCRIPTION			REMARKS
			B7N1	B7N8	
27	B7N-2164F-00	STAY 1	1	1	
28	B7N-2164G-00	STAY 2	1	1	
29	B7N-2163E-00	COVER, REAR FENDER 2	1	1	
30	2D1-21649-00	DAMPER	1	1	
31	3P6-21649-00	DAMPER	1	1	
<hr/>					
32	B7N-21646-00	BAND	1	1	
33	B7N-2465B-00	CAP, ROTOR	1	1	
34	90249-03002	PIN	1	1	
35	90508-09007	SPRING, TORSION	1	1	
36	93430-02001	CIRCLIP	1	1	
<hr/>					
37	B7N-21682-00	STAY, PLATE	1	1	
38	90160-05012	SCREW, ROUND TAPPING	4	4	
39	90269-05039	RIVET	1	1	
40	90269-05039	RIVET	1	1	
41	95602-06200	NUT, SELF-LOCKING	4	4	
<hr/>					
42	B7N-2163A-00	COVER, REAR FENDER 1	1	1	
43	90269-06001	RIVET	3	3	
44	B7N-21651-00	COVER, REAR FENDER	1	1	
45	90111-05021	BOLT, HEX. SOCKET BUTTON	2	2	
46	90109-06336	BOLT	2	2	
<hr/>					
47	90480-01559	GROMMET	2	2	
48	90480-10003	GROMMET	1	1	
49	1RC-2153E-30	EMBLEM, YAMAHA	1	1	UR FOR DPBMC
	99247-00080	EMBLEM, YAMAHA	1	1	UR FOR PGD,MDNM6
<hr/>					

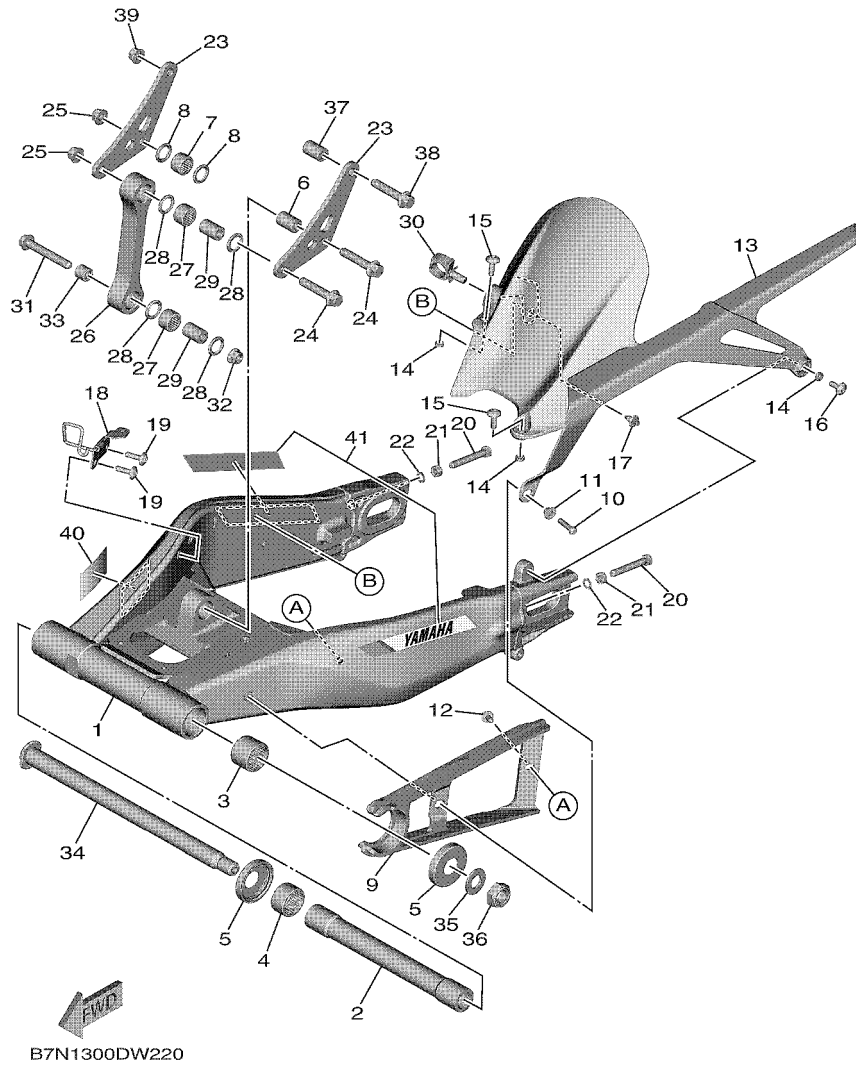
**FIG. 21 SIDE COVER**



REF. NO.	PART NO.	DESCRIPTION	B7N1	B7N8	REMARKS
1	B7N-21711-00	COVER, SIDE 1	1	1	
2	90111-05021	BOLT,HEX. SOCKET BUTTON	1	1	
3	90109-06336	BOLT	2	2	
4	90480-01559	GROMMET	2	2	
5	B7N-21721-00	COVER, SIDE 2	1	1	
6	90111-05021	BOLT,HEX. SOCKET BUTTON	1	1	
7	90109-06336	BOLT	2	2	
8	90480-01559	GROMMET	2	2	
9	2C0-21669-00	SEAL	2	2	

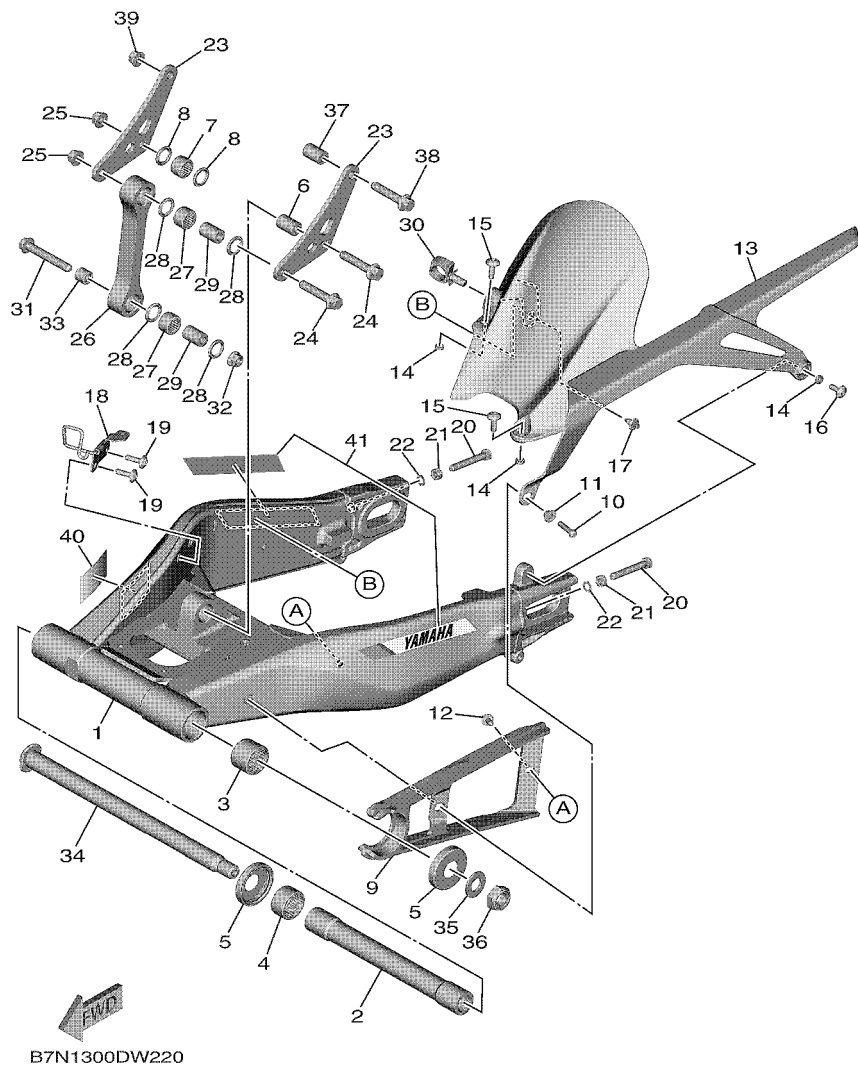
  
B7N1300DW210

FIG. 22 REAR ARM



REF. NO.	PART NO.	DESCRIPTION	B7N1	B7N8	REMARKS
1	B7N-22110-00	REAR ARM COMP.	1	1	
2	90387-22037	COLLAR	1	1	
3	93317-330A0	BEARING	1	1	
4	93317-330A1	BEARING	1	1	
5	5VY-22128-00	COVER, THRUST 1	2	2	
6	90387-1012A	COLLAR	1	1	
7	93315-31758	BEARING	1	1	
8	93109-17071	OIL SEAL	2	2	
9	B7N-22151-00	SEAL, GUARD	1	1	
10	92012-06025	BOLT, BUTTON HEAD	1	1	
11	90387-062X0	COLLAR	1	1	
12	90269-07007	RIVET	1	1	
13	B7N-21650-00	REAR FENDER COMP.	1	1	
14	90387-06372	COLLAR	3	3	
15	90149-06104	SCREW	2	2	
16	90111-06151	BOLT, HEX. SOCKET BUTTON	1	1	
17	90269-07007	RIVET	1	1	
18	B7N-22538-00	STAY	1	1	
19	90149-06104	SCREW	2	2	
20	90101-08013	BOLT	2	2	
21	95302-08600	NUT, HEXAGON	2	2	
22	90201-08052	WASHER, PLATE	2	2	
23	B7N-2217A-00	ARM, RELAY	2	2	
24	90105-10030	BOLT, FLANGE	2	2	
25	95607-10200	NUT, U FLANGE	2	2	
26	B7N-2217M-00	ARM 1	1	1	
27	93315-31758	BEARING	2	2	



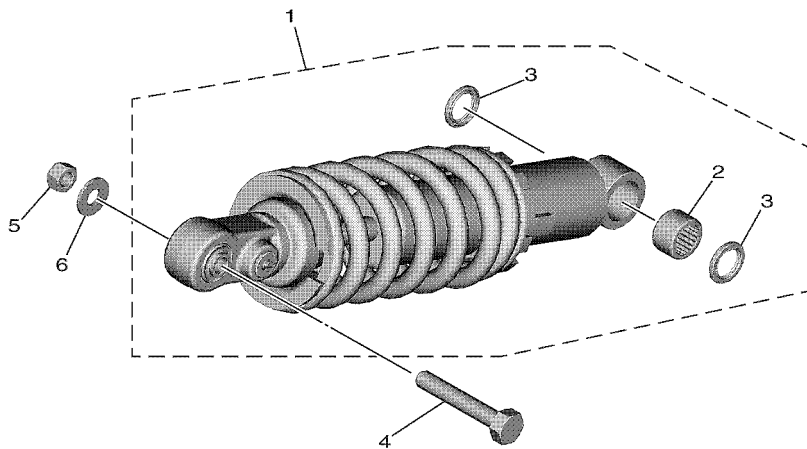


**FIG. 22 REAR ARM**

REF. NO.	PART NO.	DESCRIPTION			REMARKS
			B7N1	B7N8	
28	93109-17071	OIL SEAL	4	4	
29	90387-1012A	COLLAR	2	2	
30	90464-20009	CLAMP	1	1	
31	90105-10211	BOLT, FLANGE	1	1	
32	95602-10200	NUT, S/L FLANGE	1	1	
33	90387-10043	COLLAR	1	1	
34	B7N-22141-00	SHAFT, PIVOT	1	1	
35	90201-18013	WASHER, PLATE	1	1	
36	90185-18009	NUT, SELF-LOCKING	1	1	
37	90387-10125	COLLAR	1	1	
38	90105-10030	BOLT, FLANGE	1	1	
39	95607-10200	NUT, U FLANGE	1	1	
40	BM6-21668-00	LABEL, TIRE	1	1	
41	B7N-221F0-00	RR. ARM GRAPHIC SET	1	1	FOR PGD

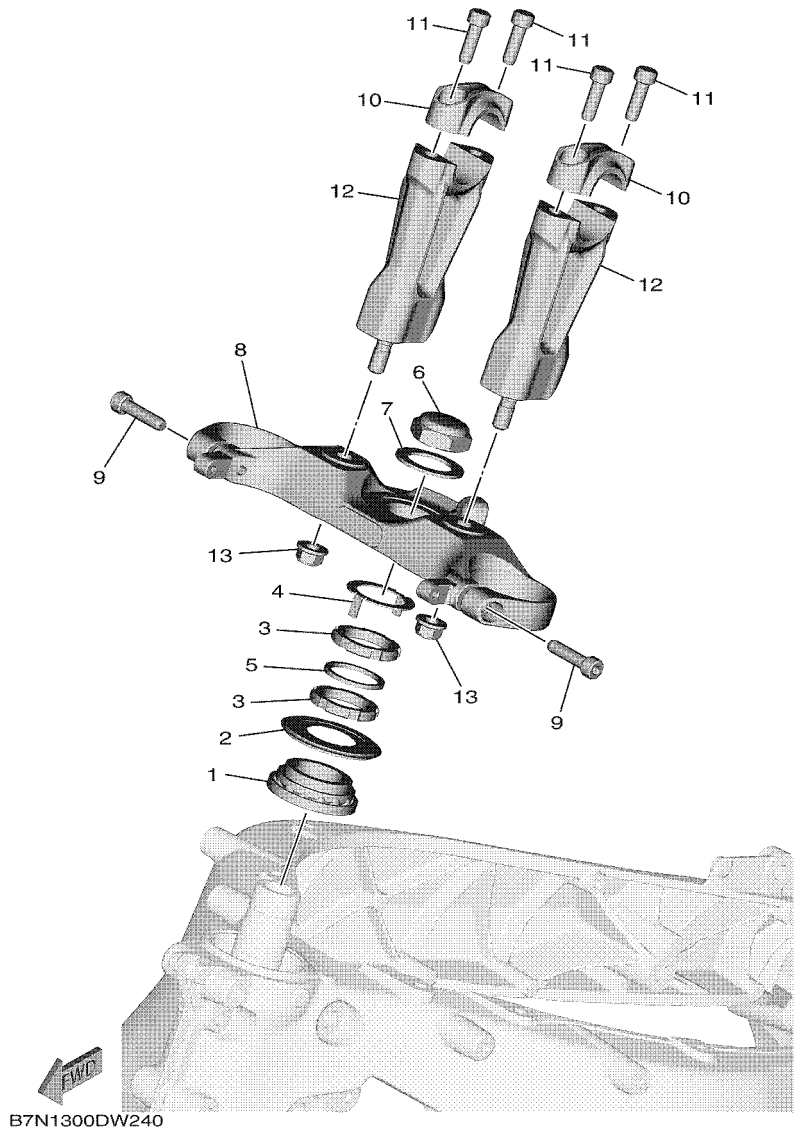
**FIG. 23 REAR SUSPENSION**

REF. NO.	PART NO.	DESCRIPTION	B7N1	B7N8	REMARKS
1	B7N-22210-00	SHOCK ABSORBER ASSY, REAR	1	1	
2	93315-31758	.BEARING	1	1	
3	93109-17071	.OIL SEAL	2	2	
4	90101-10042	BOLT	1	1	
5	95602-10100	NUT, U	1	1	
6	90201-101J1	WASHER, PLATE	1	1	



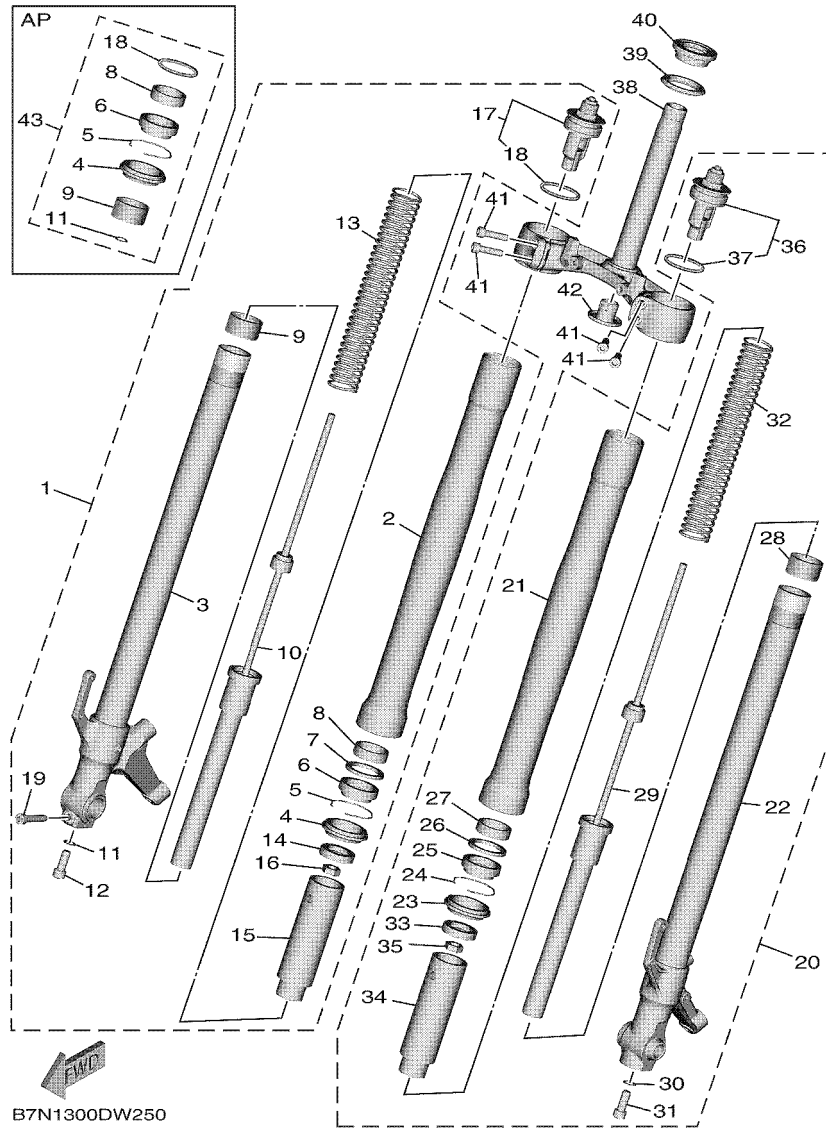
  
 B7N1300DW230

**FIG. 24 STEERING**



REF. NO.	PART NO.	DESCRIPTION			REMARKS
			B7N1	B7N8	
1	93399-99932	BEARING	1	1	
2	4XV-23415-01	COVER, BALL RACE 1	1	1	
3	90179-30006	NUT	2	2	
4	4XV-23418-00	WASHER, SPECIAL	1	1	
5	90202-30235	WASHER, PLATE	1	1	
6	90176-28083	NUT, CROWN	1	1	
7	90201-281U8	WASHER, PLATE	1	1	
8	B7N-23435-00	CROWN, HANDLE	1	1	
9	91314-08030	BOLT, HEXAGON SOCKET HEAD	2	2	
10	B7N-23441-00	HOLDER, HANDLE UPPER	2	2	
11	91314-08025	BOLT, HEXAGON SOCKET HEAD	4	4	
12	B7N-23442-00	HOLDER, HANDLE LOWER	2	2	
13	95602-10200	NUT, S/L FLANGE	2	2	

FIG. 25 FRONT FORK



B7N1300DW250

REF. NO.	PART NO.	DESCRIPTION	B7N1	B7N8	REMARKS
1	B7N-23103-00	FRONT FORK ASSY (R.H)	1	1	
2	B7N-23126-00	.TUBE, OUTER (L.H)	1	1	
3	B7N-23120-00	.INNER TUBE COMP.2	1	1	
4	4EB-23144-00	.SEAL, DUST	1	1	
5	26H-23156-00	.RING, SNAP	1	1	
6	4EB-23145-01	.OIL SEAL	1	1	
7	36Y-23146-10	.WASHER, OIL SEAL	1	1	
8	1RC-23125-00	.METAL, SLIDE 1	1	1	
9	4FM-23171-40	.METAL, SLIDE	1	1	
10	B7N-23170-10	.CYLINDER COMP., FRONT FORK	1	1	
11	509-23158-L0	.GASKET	1	1	(KYB)
12	278-23181-50	.BOLT, HEXAGON SOCKET HEAD	1	1	
13	B7N-23141-00	.SPRING, FRONT FORK	1	1	
14	5VY-12277-00	.WASHER	1	1	
15	5VY-23118-00	.SPACER	1	1	
16	3LC-23357-00	.NUT	1	1	
17	BS2-23111-11	.BOLT, CAP	1	1	
18	3XJ-23147-L1	.O-RING	1	1	
19	91314-08040	.BOLT, HEXAGON SOCKET HEAD	1	1	
20	B7N-23102-00	FRONT FORK ASSY (L.H)	1	1	
21	B7N-23126-00	.TUBE, OUTER (L.H)	1	1	
22	B7N-23110-00	.INNER TUBE COMP.1	1	1	
23	4EB-23144-00	.SEAL, DUST	1	1	
24	26H-23156-00	.RING, SNAP	1	1	
25	4EB-23145-01	.OIL SEAL	1	1	
26	36Y-23146-10	.WASHER, OIL SEAL	1	1	
27	1RC-23125-00	.METAL, SLIDE 1	1	1	

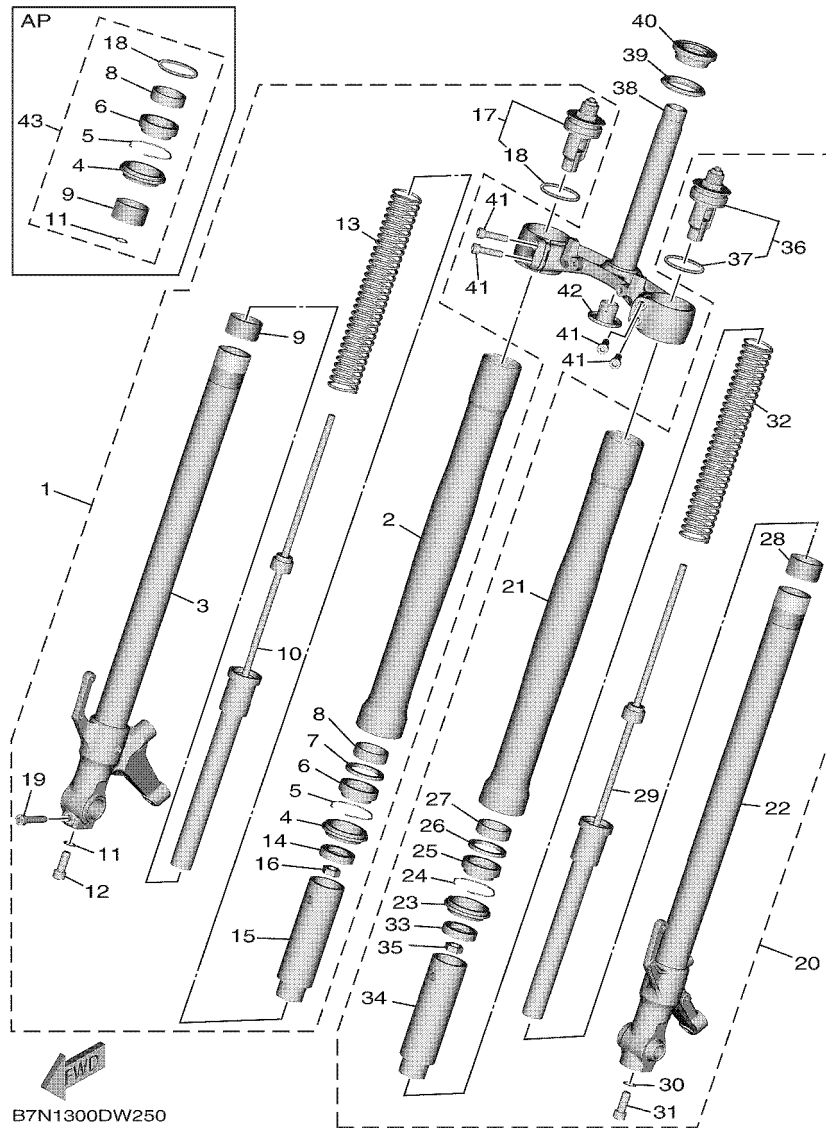
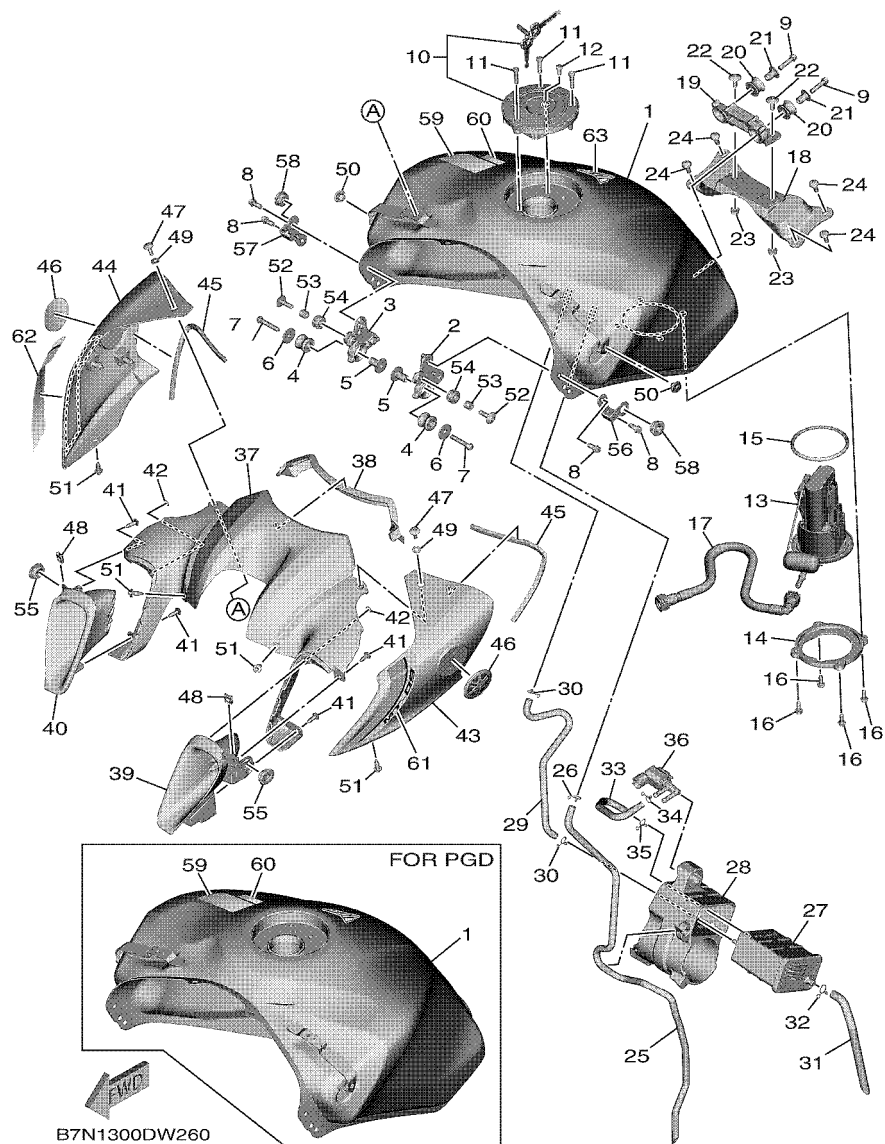


FIG. 25 FRONT FORK

REF. NO.	PART NO.	DESCRIPTION			REMARKS
			B7N1	B7N8	
28	4FM-23171-40	.METAL, SLIDE	1	1	
29	B7N-23170-00	.CYLINDER COMP., FRONT FORK	1	1	
30	509-23158-L0	.GASKET	1	1	(KYB)
31	278-23181-50	.BOLT, HEXAGON SOCKET HEAD	1	1	
32	B7N-23141-00	.SPRING, FRONT FORK	1	1	
33	5VY-12277-00	.WASHER	1	1	
34	5VY-23118-00	.SPACER	1	1	
35	3LC-23357-00	.NUT	1	1	
36	BS2-23111-00	.BOLT, CAP	1	1	
37	3XJ-23147-L1	..O-RING	1	1	
38	B7N-23340-00	UNDER BRACKET COMP.	1	1	
39	3FV-23462-00	SEAL, STEERING	1	1	
40	93399-99957	BEARING	1	1	
41	91314-08030	BOLT, HEXAGON SOCKET HEAD	4	4	
42	4KM-23123-01	COVER, UNDER 1	1	1	
43	B7N-W003B-00	FORK SEALS KIT	1	1	AP



**FIG. 26 FUEL TANK**

REF. NO.	PART NO.	DESCRIPTION	B7N1	B7N8	REMARKS
1	B7N-YK241-00-P0	FUEL TANK COMP.	1	1	UR FOR DPBMC
	B7N-Y2410-00-01	FUEL TANK COMP.	1	1	UR FOR PGD
	B7N-24110-00-P1	FUEL TANK COMP.	1	1	UR FOR MDNM6
2	B7N-24191-00	BRACKET, FUEL TANK 1	1	1	
3	B7N-24192-00	BRACKET, FUEL TANK 2	1	1	
4	90480-18008	GROMMET	2	2	
5	90387-06266	COLLAR	2	2	
6	90201-06072	WASHER, PLATE	2	2	
7	92012-06035	BOLT, BUTTON HEAD	2	2	
8	95E37-06014	BOLT, FLANGE DEEP RECESS	4	4	
9	95E32-06025	BOLT, FLANGE DEEP RECESS	2	2	
10	39P-24602-00	CAP ASSY	1	1	
11	90110-05112	BOLT, HEXAGON SOCKET HEAD	3	3	
12	91312-05010	BOLT, HEXAGON SOCKET HEAD	1	1	
13	1RC-13907-01	FUEL PUMP COMP.	1	1	
14	1RC-24491-00	BRACKET, FUEL PUMP	1	1	
15	1RC-24486-00	O-RING	1	1	
16	90110-05028	BOLT, HEXAGON SOCKET HEAD	4	4	
17	B7N-13971-00	PIPE, FUEL 1	1	1	
18	B7N-2413Y-00	BRACKET, TANK FITTING	1	1	
19	B7N-2419F-00	BRACKET, CANISTOR	1	1	
20	3D7-24339-00	GROMMET	2	2	
21	90387-06136	COLLAR	2	2	
22	90111-06136	BOLT,HEX. SOCKET BUTTON	2	2	
23	95702-06500	NUT, FLANGE	2	2	
24	90111-06029	BOLT,HEX. SOCKET BUTTON	4	4	
25	B7N-24315-00	PIPE 5	1	1	

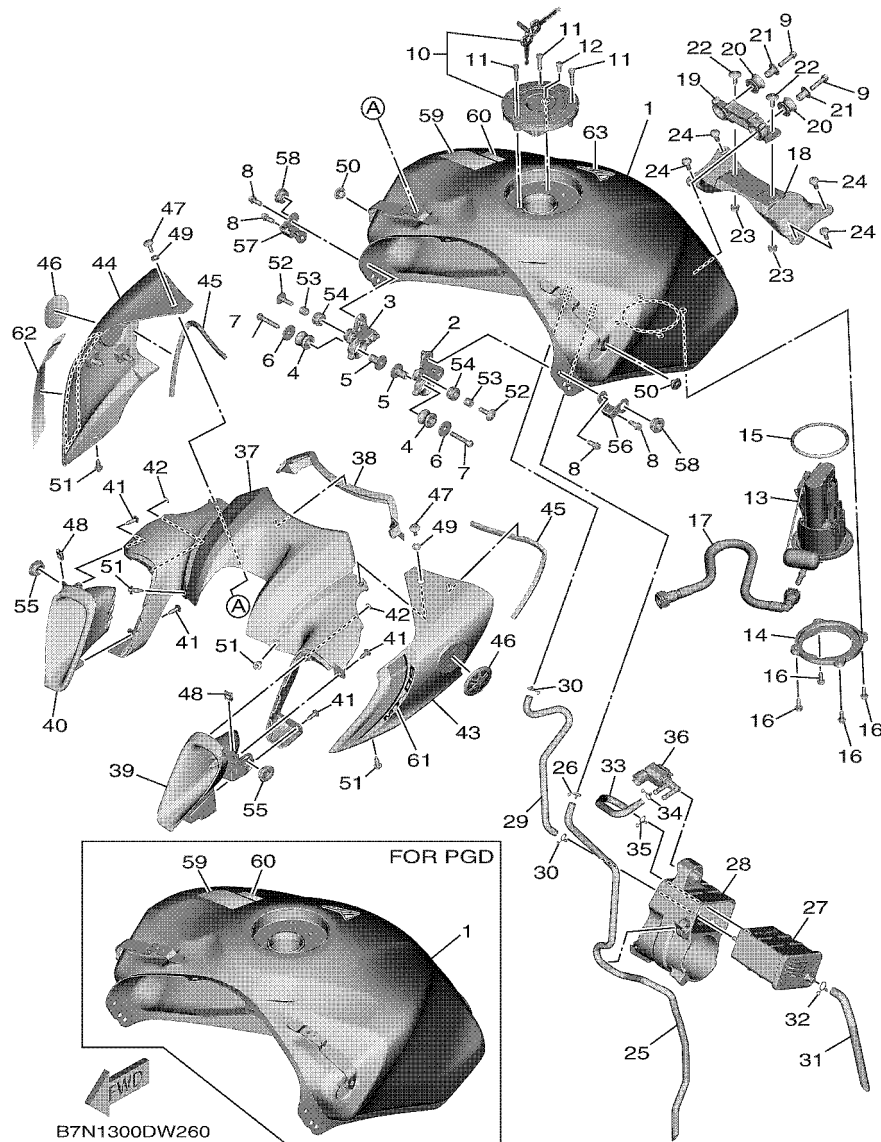
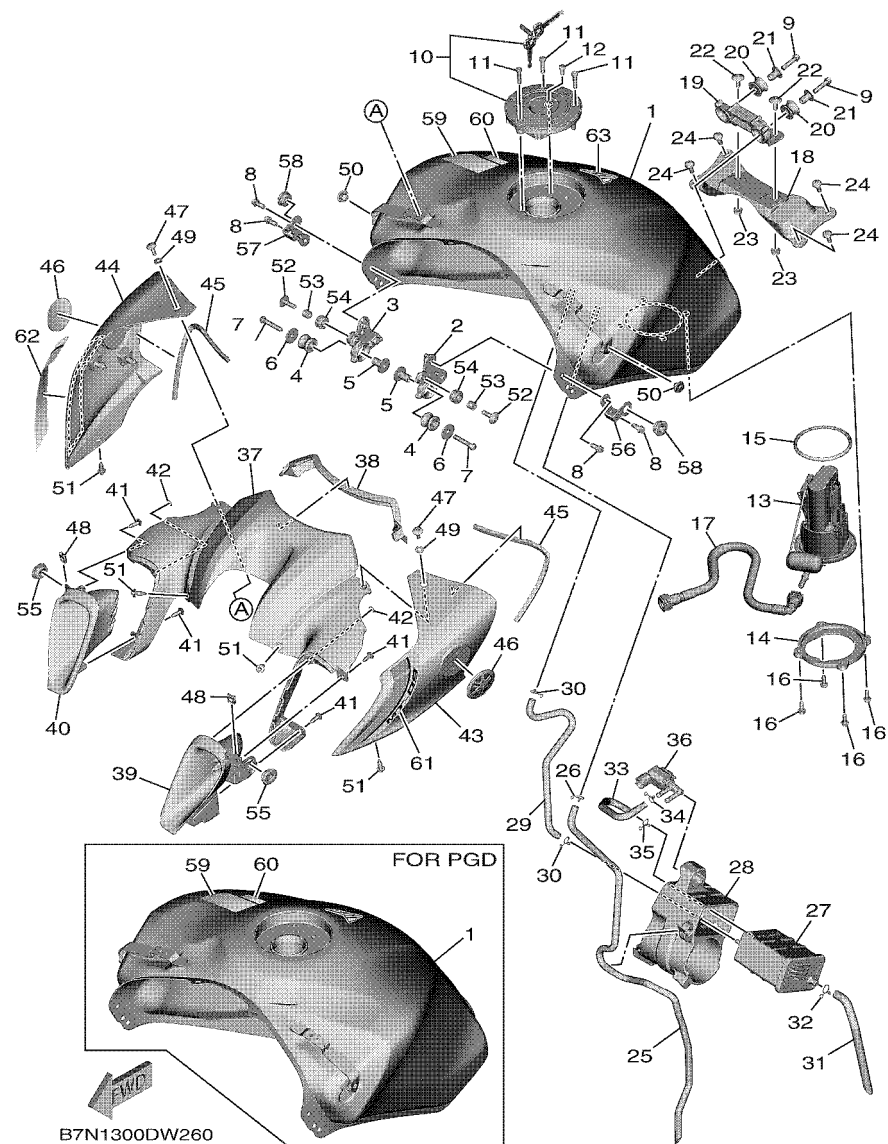


FIG. 26 FUEL TANK

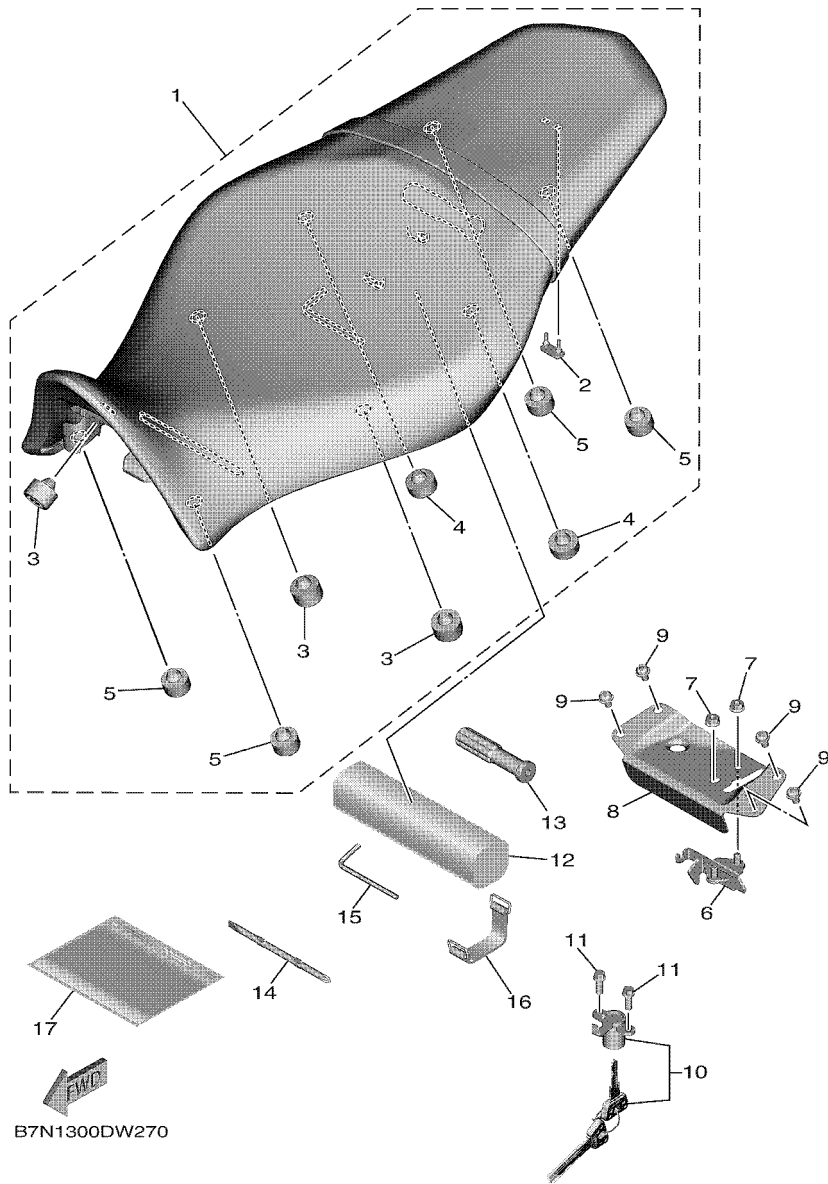
REF. NO.	PART NO.	DESCRIPTION	B7N1	B7N8	REMARKS
26	90467-090A2	CLIP	1	1	
27	B7N-24170-00	CANISTER ASSY	1	1	
28	B7N-24183-00	DAMPER, LOCATING 3	1	1	
29	B7N-24313-00	PIPE 3	1	1	
30	90467-090A2	CLIP	2	2	
31	B7N-24316-00	PIPE 6	1	1	
32	90467-10041	CLIP	1	1	
33	B7N-24317-00	PIPE 7	1	1	
34	90467-090A2	CLIP	1	1	
35	90467-09103	CLIP	1	1	
36	B7N-86120-00	SOLENOID VALVE ASSY	1	1	
37	B7N-241B1-00	COVER, TANK	1	1	
38	B7N-2418B-00	MOLE, FUEL TANK 1	1	1	
39	B7N-2837N-00	GRILL, AIR INTAKE 1	1	1	
40	B7N-2837R-00	GRILL, AIR INTAKE 2	1	1	
41	97707-50016	SCREW, TRUSS HEAD TAPPING	4	4	
42	90183-05M02	NUT, SPRING	2	2	
43	B7N-2137W-00-P0	SCOOP, AIR 1	1	1	MBNM3 FOR DPBMC
	B7N-2137W-00-3E	SCOOP, AIR 1	1	1	FOR PGD
	B7N-2137W-00-P1	SCOOP, AIR 1	1	1	FOR MDNM6
44	B7N-2137X-00-P0	SCOOP, AIR 2	1	1	MBNM3 FOR DPBMC
	B7N-2137X-00-3E	SCOOP, AIR 2	1	1	FOR PGD
	B7N-2137X-00-P1	SCOOP, AIR 2	1	1	FOR MDNM6
45	90520-07002	DAMPER, PLATE	2	2	
46	1RC-2413B-01	EMBLEM	2	2	
47	90111-05007	BOLT, HEX. SOCKET BUTTON	2	2	
48	90183-05042	NUT, SPRING	2	2	



**FIG. 26 FUEL TANK**

REF. NO.	PART NO.	DESCRIPTION			REMARKS
			B7N1	B7N8	
49	90202-05180	WASHER, PLATE	2	2	
50	90269-09006	RIVET	2	2	
51	90269-06001	RIVET	4	4	
52	90111-06137	BOLT,HEX. SOCKET BUTTON	2	2	
53	90387-06057	COLLAR	2	2	
<hr/>					
54	90480-14003	GROMMET	2	2	
55	90480-01558	GROMMET	2	2	
56	B7N-2411F-00	PLATE, FITTING	1	1	
57	B7N-2411L-00	HOOK TANK FITTING	1	1	
58	90480-13567	GROMMET	2	2	
<hr/>					
59	4C8-21568-11	LABEL, WARNING	1	1	
60	B88-2817K-10	LABEL, FUEL	1		
61	B7N-2173E-00	GRAPHIC 1	1	1	UR FOR DPBMC
	B7N-2173E-10	GRAPHIC 1	1	1	UR FOR PGD
	B7N-2173E-20	GRAPHIC 1	1	1	UR FOR MDNM6
<hr/>					
62	B7N-2173F-00	GRAPHIC 2	1	1	UR FOR DPBMC
	B7N-2173F-10	GRAPHIC 2	1	1	UR FOR PGD
	B7N-2173F-20	GRAPHIC 2	1	1	UR FOR MDNM6
63	B67-24161-01	EMBLEM 1	1	1	FOR DPBMC,MDNM6
<hr/>					
<hr/>					

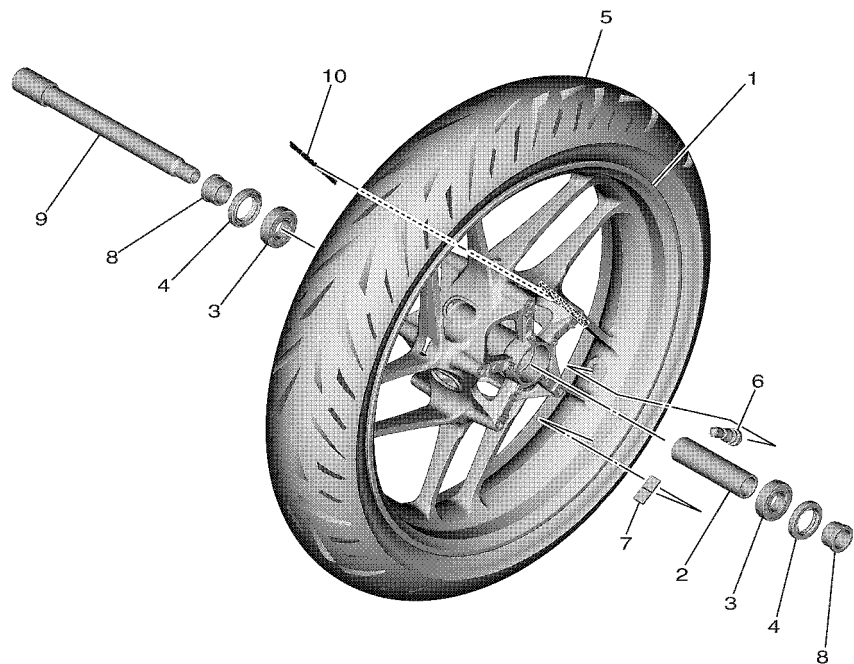




**FIG. 27 SEAT**

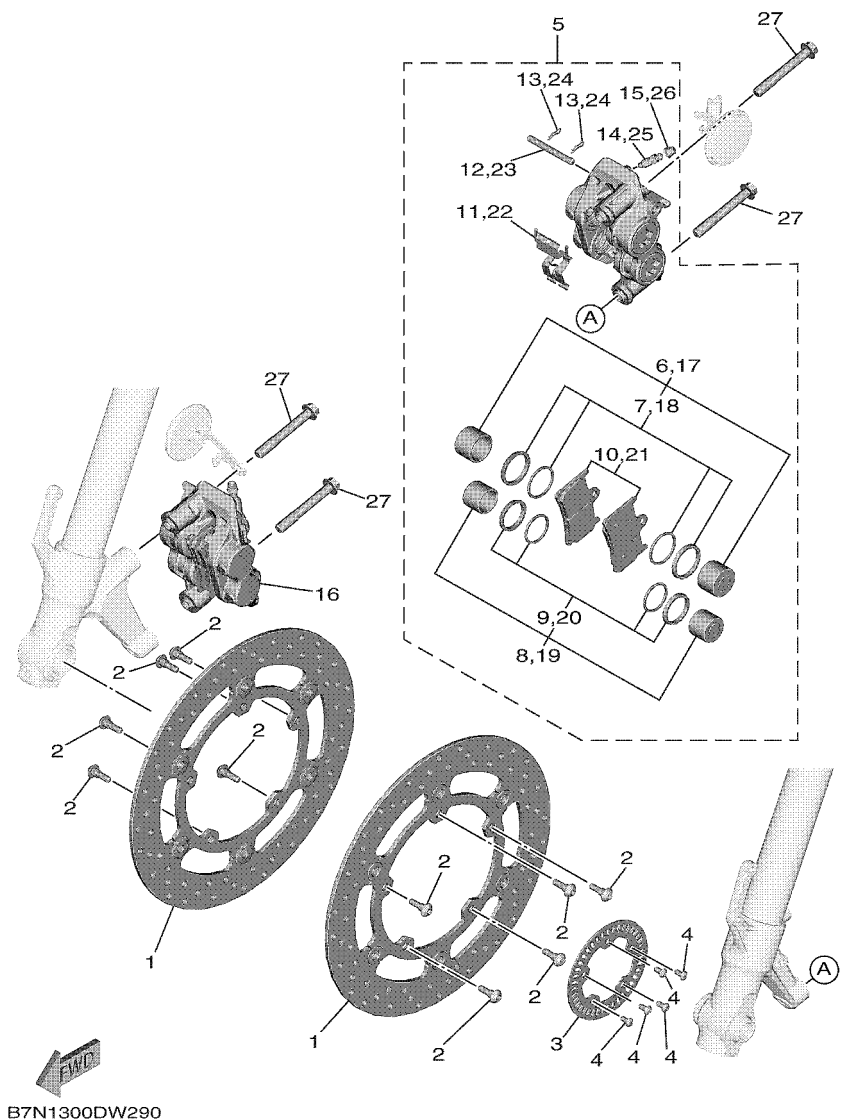
REF. NO.	PART NO.	DESCRIPTION			REMARKS
			B7N1	B7N8	
1	B7N-24730-01	DOUBLE SEAT ASSY	1	1	
2	682-44532-01	.STOPPER, UPPER MOUNT	1	1	
3	371-27114-00	.STOPPER, MAIN STAND	3	3	
4	B7N-27114-00	.STOPPER, MAIN STAND	2	2	
5	278-27114-00	.STOPPER, MAIN STAND	4	4	
6	B90-24780-00	SEAT LOCK ASSY	1	1	
7	95702-06500	NUT, FLANGE	2	2	
8	B7N-2478X-00	BRACKET, SEAT LOCK	1	1	
9	90111-06160	BOLT, HEX. SOCKET BUTTON	4	4	
10	1RC-W2470-00	ROTOR SET	1	1	
11	95E32-06016	BOLT, FLANGE DEEP RECESS	2	2	
12	B7N-28100-00	TOOL KIT	1	1	
13	2H7-28151-00	GRIP, DRIVER	1	1	
14	2GV-28152-00	DRIVER	1	1	
15	23P-28164-00	WRENCH, HEXAGON 8	1	1	
16	2T4-82131-00	BAND, BATTERY	1	1	
17	B7N-28186-00	POUCH	1	1	

**FIG. 28 FRONT WHEEL**



REF. NO.	PART NO.	DESCRIPTION			REMARKS
			B7N1	B7N8	
1	B7N-25168-00-P0	CAST WHEEL, FRONT	1	1	DPBM15 FOR DPBMC
	B7N-25168-00-P1	CAST WHEEL, FRONT	1	1	VYRS6 FOR PGD
	B7N-25168-00-98	CAST WHEEL, FRONT	1	1	LGB FOR MDNM6
2	4XV-25117-00	SPACER, BEARING	1	1	
3	93306-07208	BEARING	2	2	
4	93106-28043	OIL SEAL	2	2	
5	94112-17146	TIRE (120/70ZR17M/C 58W)	1	1	BRIDGESTONE
6	93900-00030	VALVE, RIM (TR412)	1	1	TAIHEIYO
7	23P-25398-00	BALANCER, WHEEL	1	1	UN
8	90387-22016	COLLAR	2	2	
9	4XV-25181-10	AXLE, WHEEL	1	1	
10	B7N-251G3-00	EMBLEM	1	1	FOR DPBMC,MDNM6
	B7N-251G3-10	EMBLEM	1	1	FOR PGD

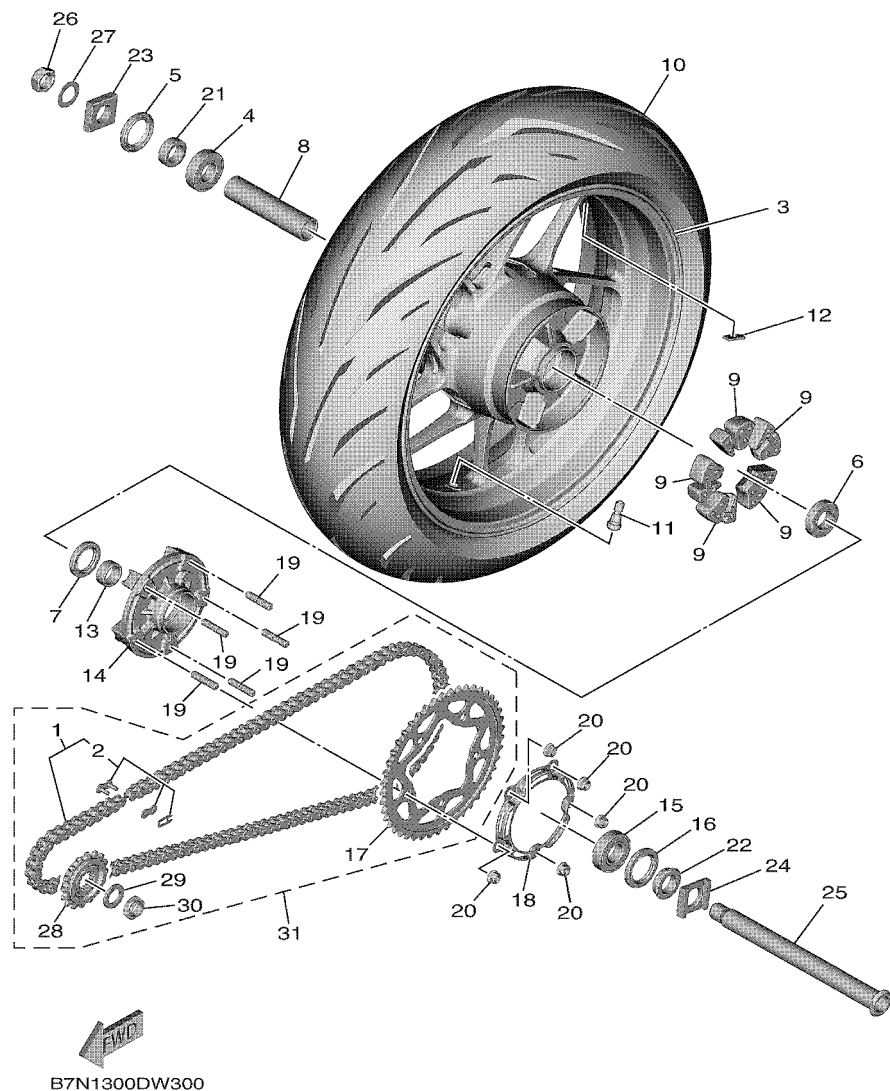
  
 B7N1300DW280



**FIG. 29 FRONT BRAKE CALIPER**

REF. NO.	PART NO.	DESCRIPTION	B7N1	B7N8	REMARKS
1	1RC-2581T-00	DISK BRAKE ASSY	2	2	
2	90109-064G6	BOLT	10	10	
3	1SD-2517G-00	ROTOR, SENSOR	1	1	
4	90149-05029	SCREW	5	5	
5	1RC-2580T-00	CALIPER ASSY (LEFT)	1	1	
6	4SV-25802-10	.PISTON ASSY, CALIPER	1	1	
7	3GM-25803-10	..CALIPER SEAL KIT	1	1	
8	4SV-25802-00	.PISTON ASSY, CALIPER	1	1	
9	3MA-25803-10	..CALIPER SEAL KIT	1	1	
10	5SL-25805-00	.BRAKE PAD KIT	1	1	
11	13S-25919-00	.SUPPORT, PAD	1	1	
12	4SV-25924-00	.PIN, PAD	1	1	
13	3GM-25925-00	.CLIP	2	2	
14	1J3-25824-00	.SCREW, BLEED	1	1	
15	306-25825-01	.CAP	1	1	
16	1RC-2580U-00	CALIPER ASSY (RIGHT)	1	1	
17	4SV-25802-10	.PISTON ASSY, CALIPER	1	1	
18	3GM-25803-10	..CALIPER SEAL KIT	1	1	
19	4SV-25802-00	.PISTON ASSY, CALIPER	1	1	
20	3MA-25803-10	..CALIPER SEAL KIT	1	1	
21	5SL-25805-00	.BRAKE PAD KIT	1	1	
22	13S-25919-00	.SUPPORT, PAD	1	1	
23	4SV-25924-00	.PIN, PAD	1	1	
24	3GM-25925-00	.CLIP	2	2	
25	1J3-25824-00	.SCREW, BLEED	1	1	
26	306-25825-01	.CAP	1	1	
27	90105-10440	BOLT, FLANGE	4	4	

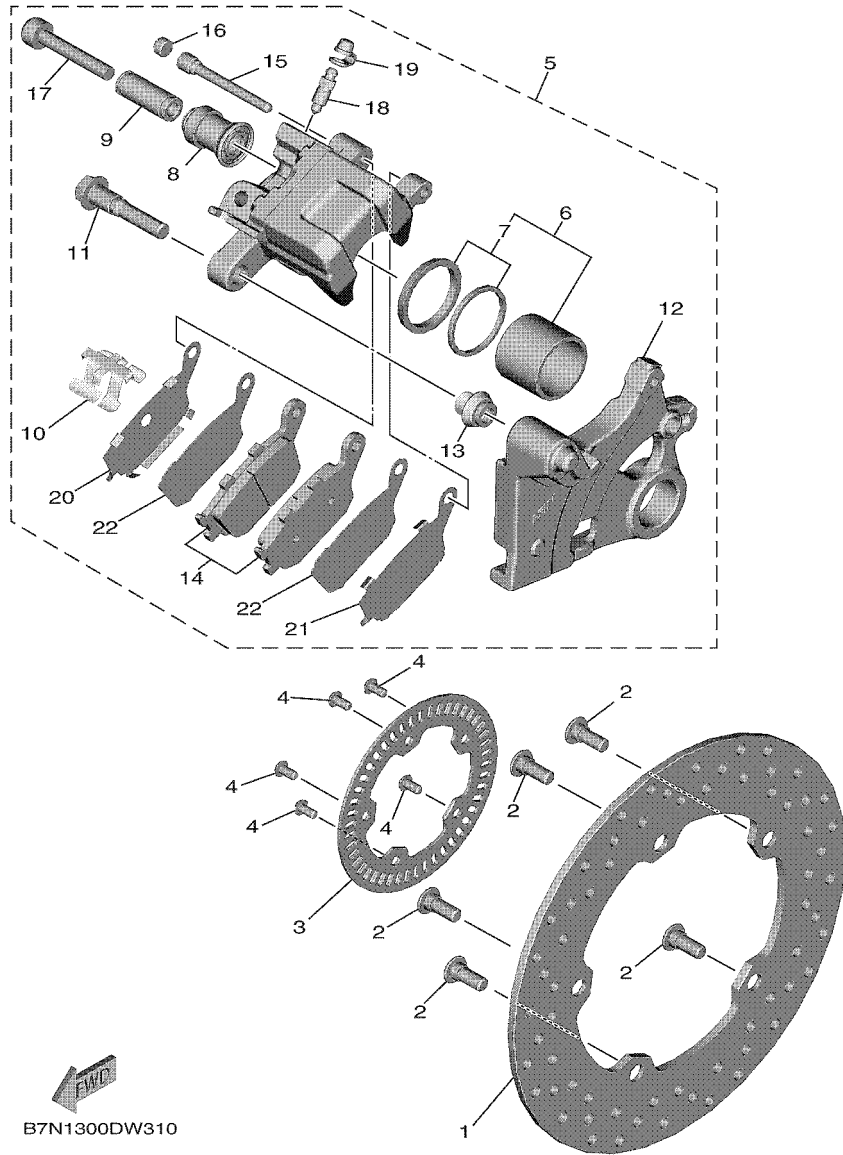
**FIG. 30 REAR WHEEL**



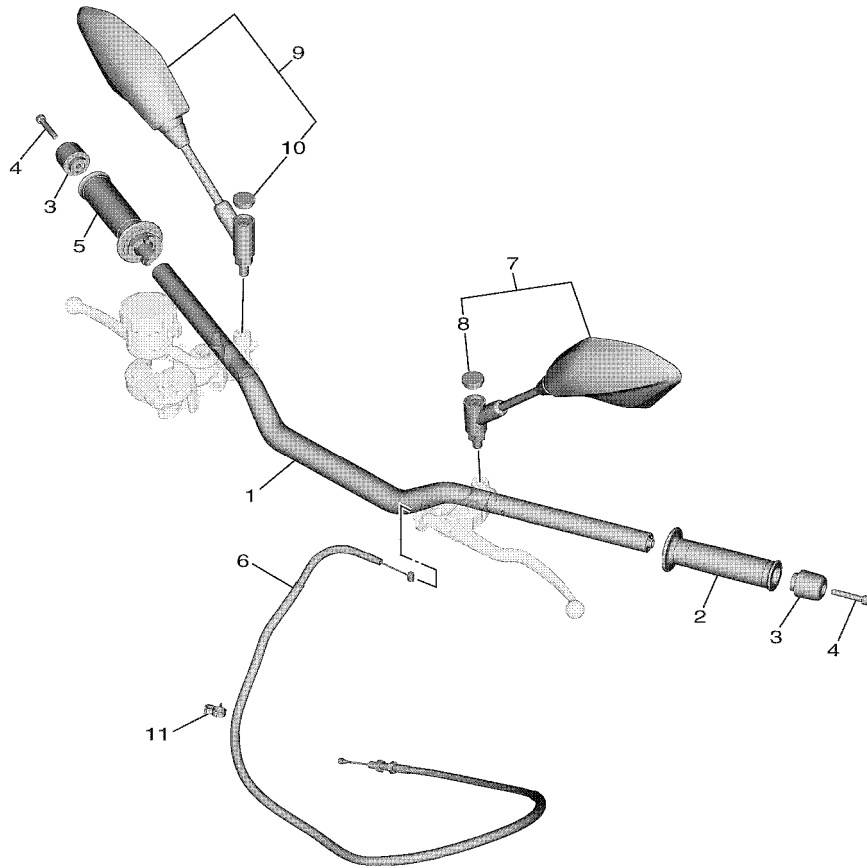
REF. NO.	PART NO.	DESCRIPTION			REMARKS
			B7N1	B7N8	
1	94A40-17110	SET, CHAIN (DID525VZ2 110LL)	1	1	
2	94682-5502R	.JOINT, CHAIN (DID525VZ2 ZJ)	1	1	
3	B7N-25338-00-P0	CAST WHEEL, REAR	1	1	DPBM15 FOR DPBMC
	B7N-25338-00-P1	CAST WHEEL, REAR	1	1	VYRS6 FOR PGD
	B7N-25338-00-98	CAST WHEEL, REAR	1	1	LGB FOR MDNM6
4	93306-20531	BEARING	1	1	
5	93106-40013	OIL SEAL	1	1	
6	93306-07806	BEARING	1	1	
7	93106-35042	OIL SEAL	1	1	
8	90387-28031	COLLAR	1	1	
9	BD5-25364-00	DAMPER	5	5	
10	94118-17093	TIRE (180/55ZR17M/C 73W)	1	1	BRIDGESTONE
11	93900-00030	VALVE, RIM (TR412)	1	1	TAIHEIYO
12	23P-25398-00	BALANCER, WHEEL	1	1	UN
13	5EB-25377-00	COLLAR, WHEEL	1	1	
14	2CR-25366-00	CLUTCH, HUB	1	1	
15	93306-20531	BEARING	1	1	
16	93106-40013	OIL SEAL	1	1	
17	B7N-25445-00	SPROCKET, DRIVEN (45T)	1	1	
18	B7N-2537W-00	BRACKET 1	1	1	
19	90116-10048	BOLT, STUD	5	5	
20	95602-10200	NUT, S/L FLANGE	5	5	
21	13S-25376-00	COLLAR, WHEEL	1	1	
22	90387-28029	COLLAR	1	1	
23	4XV-25388-00	PULLER, CHAIN 1	1	1	
24	4XV-25389-00	PULLER, CHAIN 2	1	1	
25	4XV-25381-10	AXLE, WHEEL	1	1	



**FIG. 31 REAR BRAKE CALIPER**



REF. NO.	PART NO.	DESCRIPTION			REMARKS
			B7N1	B7N8	
1	1RC-2582W-00	DISK, REAR BRAKE 2	1	1	
2	90109-08045	BOLT	5	5	
3	2PW-2517G-00	ROTOR, SENSOR	1	1	
4	90149-05029	SCREW	5	5	
5	B7N-2580W-00	CALIPER ASSY, REAR 2	1	1	
6	5SL-25802-00	.PISTON ASSY, CALIPER	1	1	
7	5SL-25803-00	..CALIPER SEAL KIT	1	1	
8	5SL-25917-00	.BOOT, CALIPER	1	1	
9	5SL-25838-00	.SLEEVE, CALIPER	1	1	
10	5SL-25919-00	.SUPPORT, PAD	1	1	
11	5SL-25914-00	.PIN, SLIDE	1	1	
12	B7N-25921-50	.BRACKET, SUPPORT	1	1	
13	3JD-25917-00	.BOOT, CALIPER	1	1	
14	5VX-25806-00	.BRAKE PAD KIT 2	1	1	
15	8CR-25924-00	.PIN, PAD	1	1	
16	5DH-25916-50	.PLUG	1	1	
17	1RC-25926-00	.BOLT	1	1	
18	8CR-25824-00	.SCREW, BLEED	1	1	
19	1UY-25825-51	.CAP	1	1	
20	5SL-25827-00	.SHIM, CALIPER	1	1	
21	5SL-25827-10	.SHIM, CALIPER	1	1	
22	5SL-25828-01	.SHIM, CALIPER	2	2	

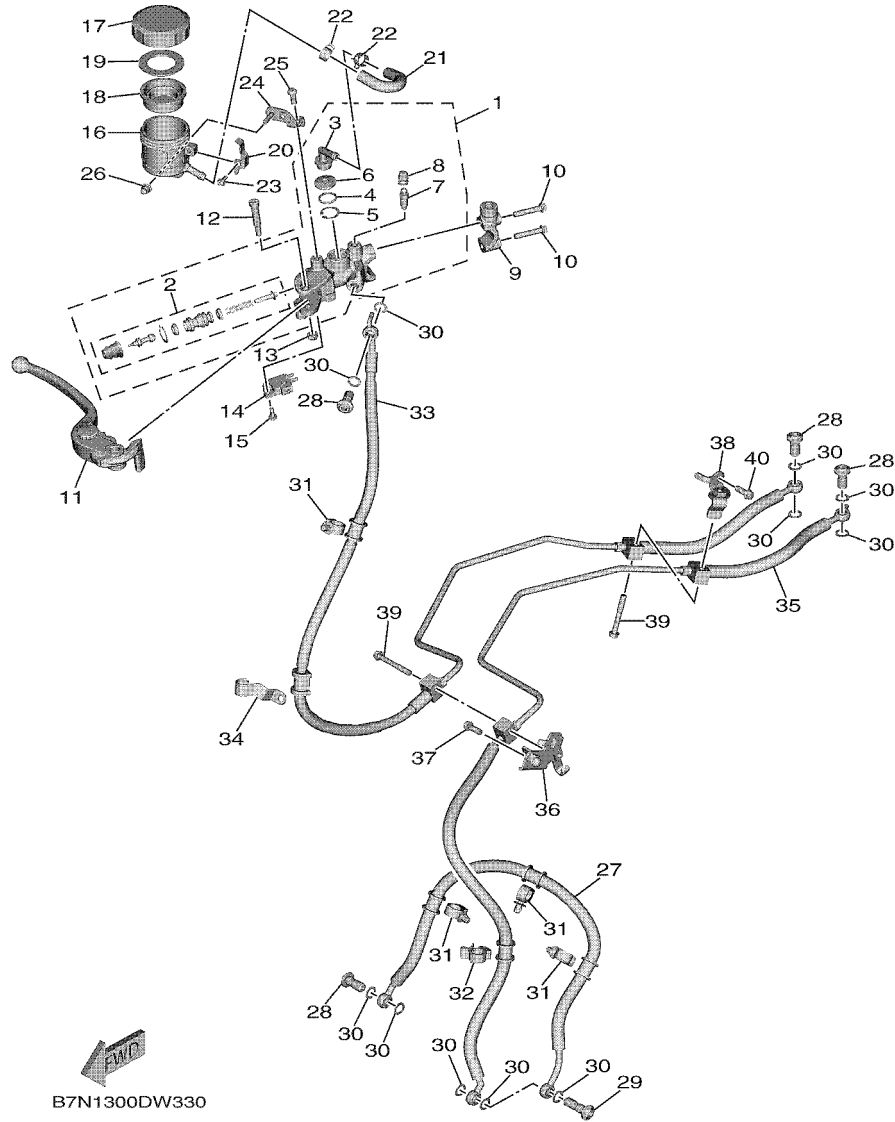


  
 B7N1300DW320

**FIG. 32 STEERING HANDLE & CABLE**

REF. NO.	PART NO.	DESCRIPTION	B7N1	B7N8	REMARKS
1	B7N-26111-00	HANDLEBAR	1	1	
2	2C0-26241-00	GRIP	1	1	
3	4YR-26246-00	END, GRIP	2	2	
4	91317-06035	BOLT,HEX.SOCKET HEAD	2	2	
5	B7N-26240-00	GRIP ASSY	1	1	
6	B7N-26335-00	WIRE, CLUTCH	1	1	
7	B7N-26280-00	REAR VIEW MIRROR ASSY (LEFT)	1	1	
8	5PS-26133-20	.CAP	1	1	
9	B7N-26290-00	REAR VIEW MIRROR ASSY (RIGHT)	1	1	
10	5PS-26133-20	.CAP	1	1	
11	90464-09023	CLAMP	1	1	

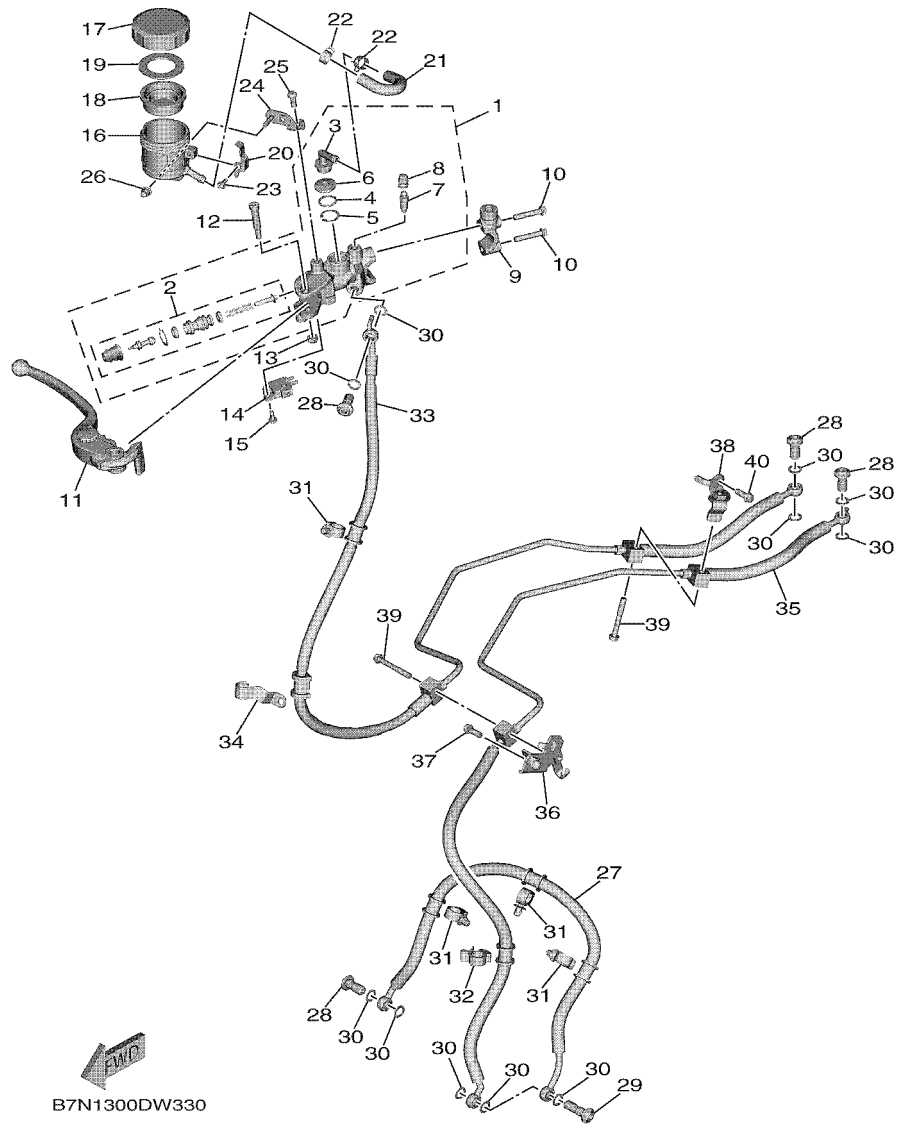
**FIG. 33 FRONT MASTER CYLINDER**



B7N1300DW330

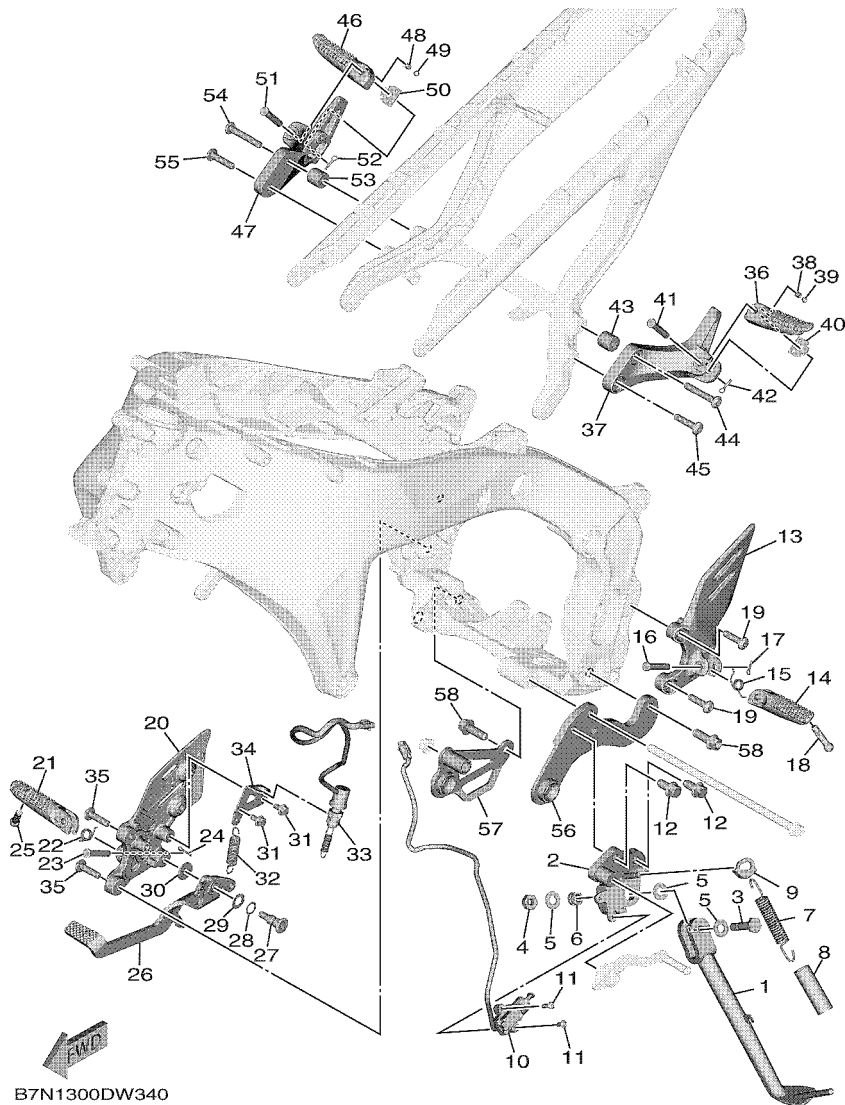
REF. NO.	PART NO.	DESCRIPTION			REMARKS
			B7N1	B7N8	
1	B7N-2580A-00	MASTER CYLINDER SUB ASSY 2	1	1	
2	2CR-25807-00	.CYLINDER KIT, MASTER	1	1	
3	2VN-2582A-50	.JOINT	1	1	
4	93210-15620	.O-RING	1	1	
5	2VN-25866-00	.CIRCLIP	1	1	
6	3FV-2589A-00	.COVER, DUST	1	1	
7	1UY-25824-51	.SCREW, BLEED	1	1	
8	1UY-25825-51	.CAP	1	1	
9	B7N-25867-00	BRACKET, MASTER CYLINDER	1	1	
10	B7N-26332-00	BOLT	2	2	
11	B7N-83922-00	LEVER 2	1	1	
12	2CR-2589F-00	BOLT, LEVER	1	1	
13	95607-06100	NUT, SELF-LOCKING	1	1	
14	1HP-83980-03	FRONT STOP SWITCH ASSY	1	1	
15	97602-04312	SCREW, PAN HEAD WITH WASHER	1	1	
16	2CR-25894-00	TANK, RESERVOIR	1	1	
17	3GM-25852-50	CAP, RESERVOIR	1	1	
18	3FV-25854-00	DIAPHRAGM, RESERVOIR	1	1	
19	2CR-25855-00	BUSH,DIAPHRAGM	1	1	
20	2CR-2589G-00	HOLDER	1	1	
21	B7N-25895-00	HOSE, RESERVOIR	1	1	
22	90467-12085	CLIP	2	2	
23	3GM-2589H-00	SCREW	1	1	
24	B7N-26296-00	BRACKET	1	1	
25	92014-06014	BOLT, BUTTON HEAD	1	1	
26	90176-05003	NUT, CROWN	1	1	
27	B7N-25872-00	HOSE, BRAKE 1	1	1	





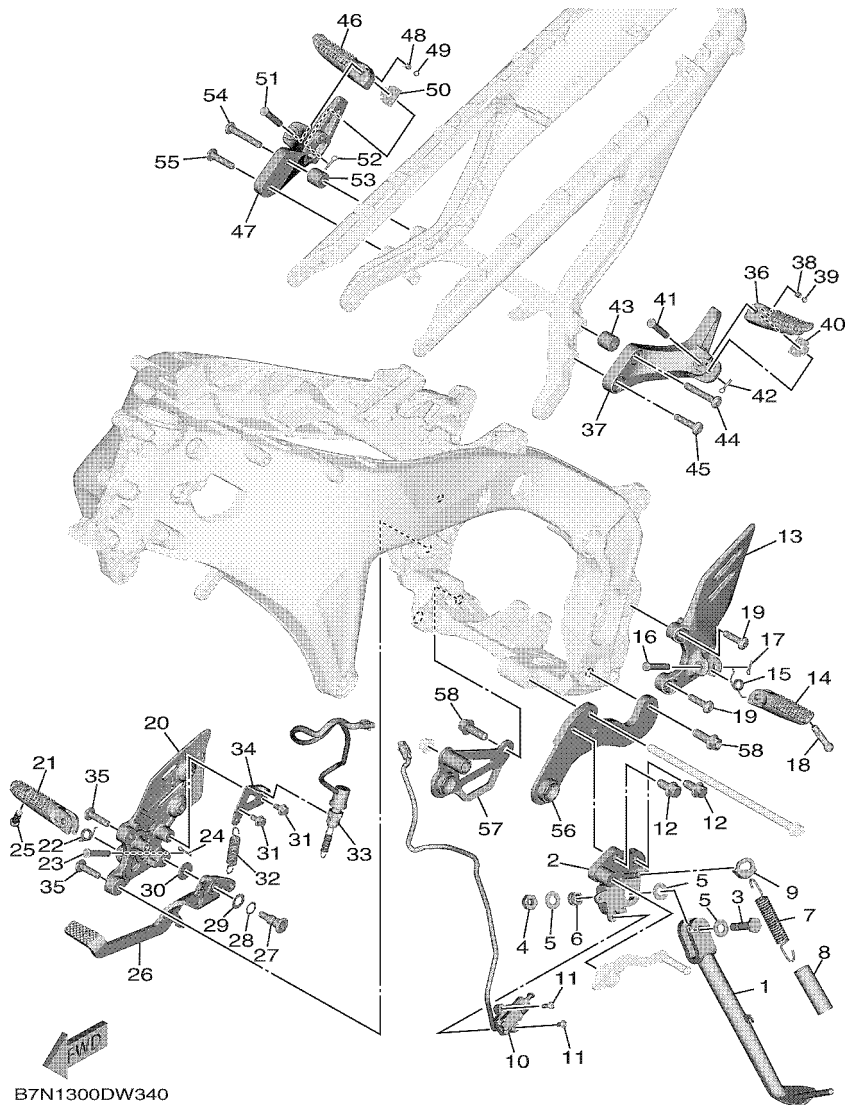
**FIG. 33 FRONT MASTER CYLINDER**

REF. NO.	PART NO.	DESCRIPTION			REMARKS
			B7N1	B7N8	
28	90401-10172	BOLT, UNION	4	4	
29	90401-10042	BOLT, UNION	1	1	
30	90430-10005	GASKET	11	11	
31	90464-18002	CLAMP	4	4	
32	90464-14013	CLAMP	1	1	
<hr/>					
33	B7N-2584A-00	BRAKE HOSE ASSY	1	1	
34	B7N-25875-00	HOLDER, BRAKE HOSE 1	1	1	
35	B7N-2584B-00	HOSE, BRAKE	1	1	
36	B7N-85132-00	BRACKET, REFLECTOR 1	1	1	
37	90105-06187	BOLT, FLANGE	1	1	
<hr/>					
38	B7N-2612E-00	BRACKET	1	1	
39	95022-06045	BOLT, FLANGE	2	2	
40	90105-06187	BOLT, FLANGE	1	1	
<hr/>					
<hr/>					
<hr/>					
<hr/>					
<hr/>					



**FIG. 34 STAND & FOOTREST**

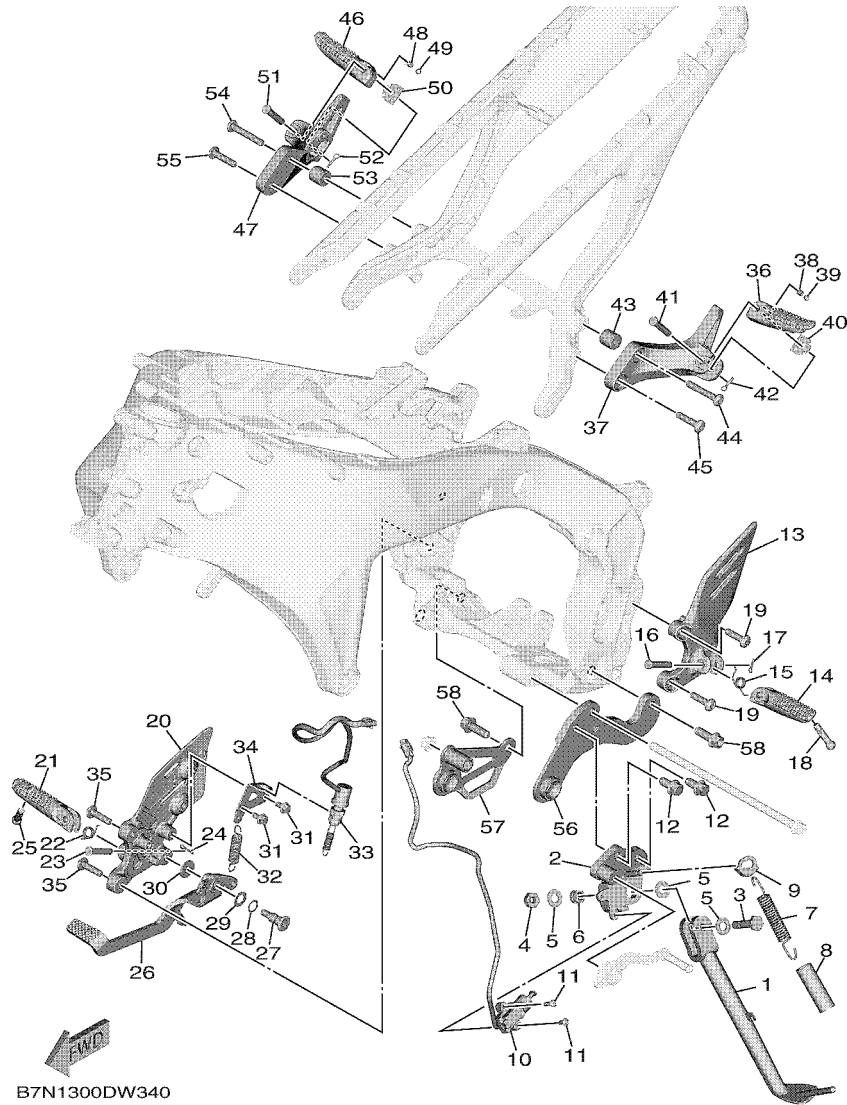
REF. NO.	PART NO.	DESCRIPTION			REMARKS
			B7N1	B7N8	
1	B7N-27311-00	STAND, SIDE	1	1	
2	B7N-27321-00	BRACKET, SIDE STAND	1	1	
3	90101-10034	BOLT	1	1	
4	90185-10012	NUT, SELF-LOCKING	1	1	
5	90201-10075	WASHER, PLATE	3	3	
6	90387-10020	COLLAR	1	1	
7	90506-26014	SPRING, TENSION	1	1	
8	90445-197J2	HOSE (L60)	1	1	
9	B7N-27315-00	LINK, SIDE STAND	1	1	
10	B7N-82566-00	SWITCH, SIDE STAND	1	1	
11	90149-05037	SCREW	2	2	
12	90105-10195	BOLT, FLANGE	2	2	
13	B7N-27442-00	BRACKET 2	1	1	
14	B7N-27451-00	FOOTREST 3	1	1	
15	90508-18134	SPRING, TORSION	1	1	
16	91701-08040	PIN	1	1	
17	91402-25015	PIN, COTTER	1	1	
18	90109-08231	BOLT	1	1	
19	90110-08220	BOLT, HEXAGON SOCKET HEAD	2	2	
20	B7N-27443-00	BRACKET 3	1	1	
21	B7N-27461-00	FOOTREST 4	1	1	
22	90508-18135	SPRING, TORSION	1	1	
23	91701-08040	PIN	1	1	
24	91402-25015	PIN, COTTER	1	1	
25	90109-08231	BOLT	1	1	
26	B7N-27211-00	PEDAL, BRAKE	1	1	
27	4BP-27434-01	BOLT	1	1	



**FIG. 34 STAND & FOOTREST**

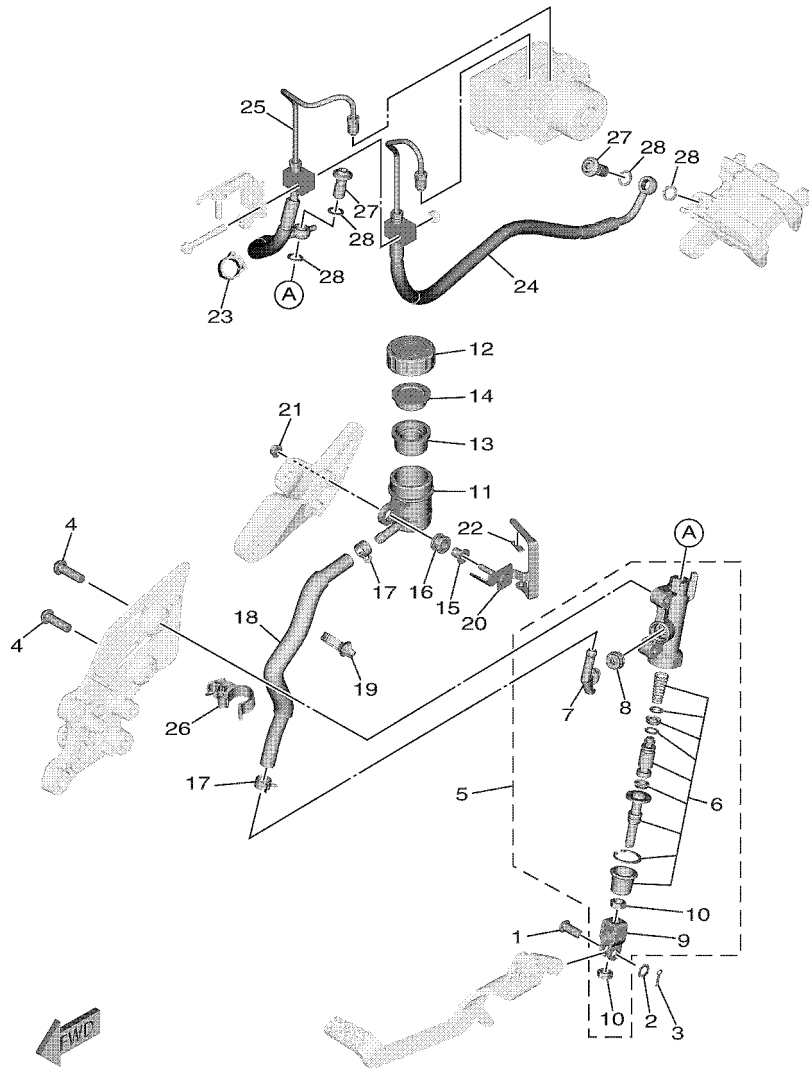
REF. NO.	PART NO.	DESCRIPTION			REMARKS
			B7N1	B7N8	
28	90206-12074	WASHER, WAVE	1	1	
29	90201-12051	WASHER, PLATE	1	1	
30	90201-08053	WASHER, PLATE	1	1	
31	95D02-06012	BOLT, FLANGE DEEP RECESS	2	2	
32	90506-18022	SPRING, TENSION	1	1	
33	B7N-82530-00	STOP SWITCH ASSY	1	1	
34	B7N-2144G-00	STAY, STOP SWITCH	1	1	
35	90110-08220	BOLT, HEXAGON SOCKET HEAD	2	2	
36	B7N-27431-00	FOOTREST, REAR 1	1	1	
37	B7N-2741L-00	BRACKET 4	1	1	
38	90501-12743	SPRING, COMPRESSION	1	1	
39	93501-04011	BALL	1	1	
40	5VX-27437-00	WASHER, SPECIAL	1	1	
41	91702-08040	PIN, CLEVIS	1	1	
42	91401-25015	PIN, COTTER	1	1	
43	90387-08124	COLLAR	1	1	
44	90111-08005	BOLT,HEX. SOCKET BUTTON	1	1	
45	90110-08071	BOLT, HEXAGON SOCKET HEAD	1	1	
46	B7N-27441-00	FOOTREST, REAR 2	1	1	
47	B7N-2742L-00	BRACKET 5	1	1	
48	90501-12743	SPRING, COMPRESSION	1	1	
49	93501-04011	BALL	1	1	
50	5VX-27437-00	WASHER, SPECIAL	1	1	
51	91702-08040	PIN, CLEVIS	1	1	
52	91401-25015	PIN, COTTER	1	1	
53	90387-08124	COLLAR	1	1	
54	90111-08005	BOLT,HEX. SOCKET BUTTON	1	1	

**FIG. 34 STAND & FOOTREST**



REF. NO.	PART NO.	DESCRIPTION	B7N1	B7N8	REMARKS
55	90110-08071	BOLT, HEXAGON SOCKET HEAD	1	1	
56	B7N-21445-00	STAY, MUFFLER 1	1	1	
57	B7N-21446-00	STAY, MUFFLER 2	1	1	
58	90105-10452	BOLT, FLANGE	2	2	
-----					
-----					
-----					
-----					
-----					
-----					
-----					
-----					
-----					
-----					

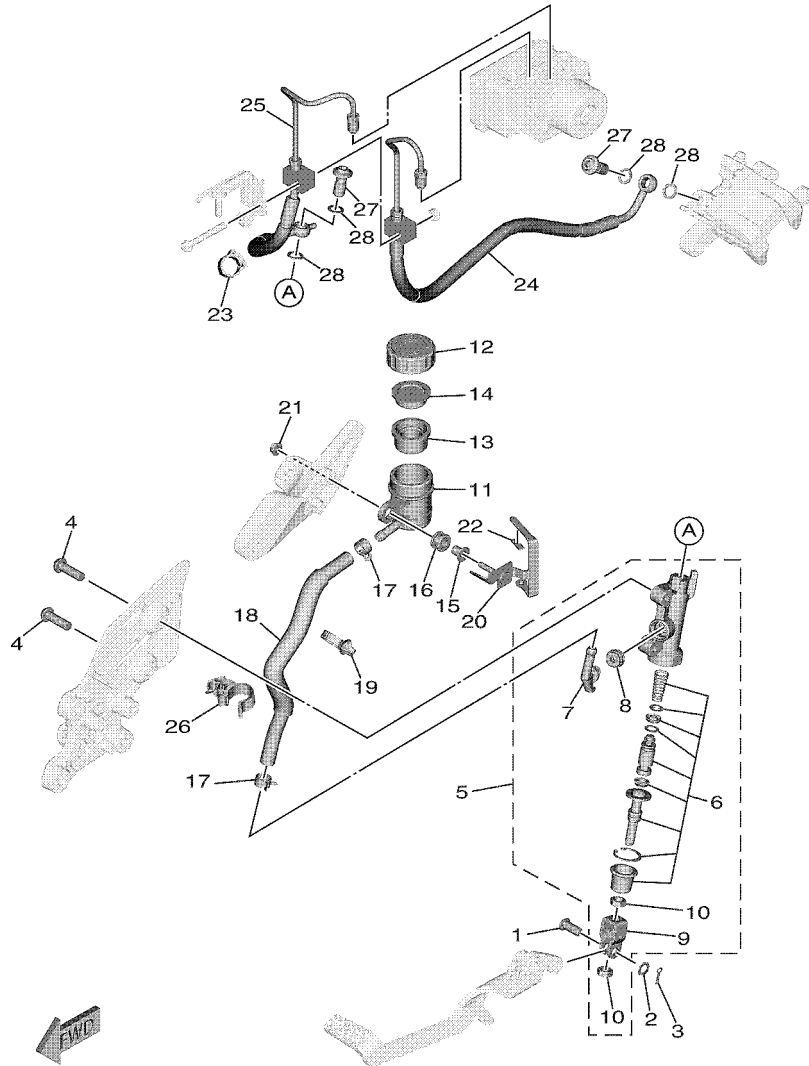
**FIG. 35 REAR MASTER CYLINDER**



B7N1300DW350

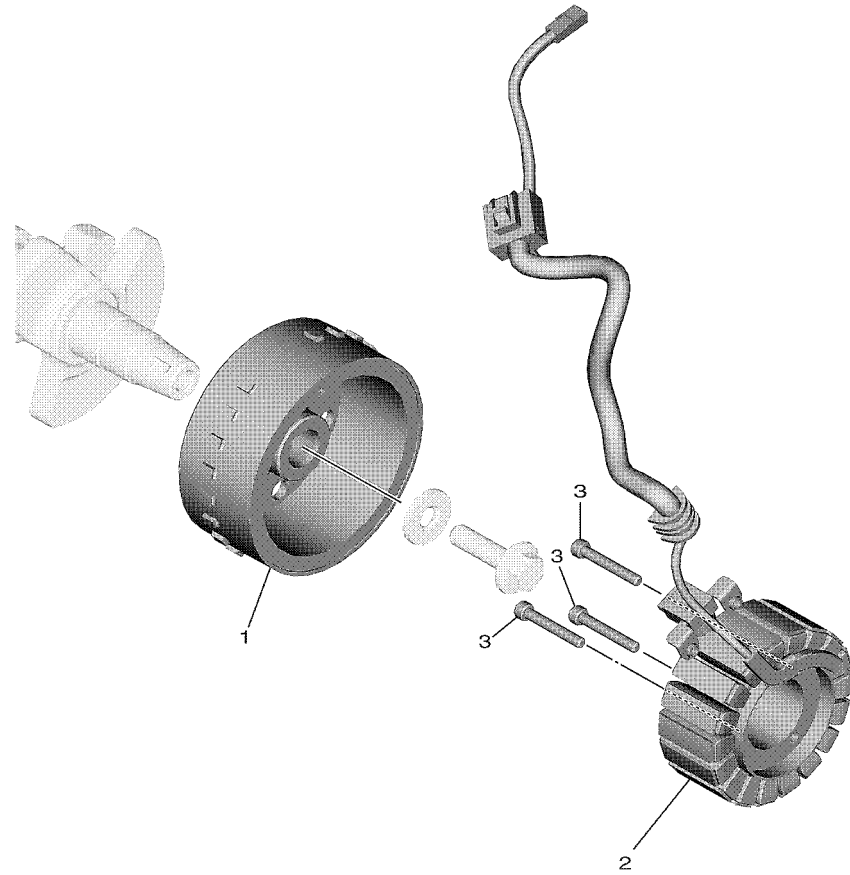
REF. NO.	PART NO.	DESCRIPTION	B7N1	B7N8	REMARKS
1	90240-08005	PIN, CLEVIS	1	1	
2	90201-08066	WASHER, PLATE	1	1	
3	91401-20012	PIN, COTTER	1	1	
4	92014-08025	BOLT, BUTTON HEAD	2	2	
5	56P-2583V-00	RR. MASTER CYLINDER ASSY.	1	1	
6	56P-25808-50	.CYLINDER KIT, MASTER	1	1	
7	2D1-2582A-00	.JOINT	1	1	
8	4BP-2585F-01	.O-RING	1	1	
9	4BP-27222-02	.JOINT	1	1	
10	90170-08010	.NUT	2	2	
11	14B-25894-00	TANK, RESERVOIR	1	1	
12	2C0-25852-00	CAP, RESERVOIR	1	1	
13	2VN-25854-00	DIAPHRAGM, RESERVOIR	1	1	
14	2VN-25855-00	BUSH,DIAPHRAGM	1	1	
15	90387-05028	COLLAR	1	1	
16	2C0-26326-00	GROMMET	1	1	
17	90467-12085	CLIP	2	2	
18	B7N-25895-50	HOSE, RESERVOIR	1	1	
19	90464-20010	CLAMP	1	1	
20	B7N-2582E-00	HOLDER, RESERVE TANK	1	1	
21	95707-05500	NUT, FLANGE	1	1	
22	90520-01002	DAMPER, PLATE	1	1	
23	90464-16003	CLAMP	1	1	
24	B7N-2581K-00	HOSE, BRAKE 5	1	1	
25	B7N-2581J-00	HOSE, BRAKE 4	1	1	
26	90464-18013	CLAMP	1	1	
27	90401-10172	BOLT, UNION	2	2	

**FIG. 35 REAR MASTER CYLINDER**



B7N1300DW350

REF. NO.	PART NO.	DESCRIPTION	B7N1	B7N8	REMARKS
28	90430-10005	GASKET	4	4	

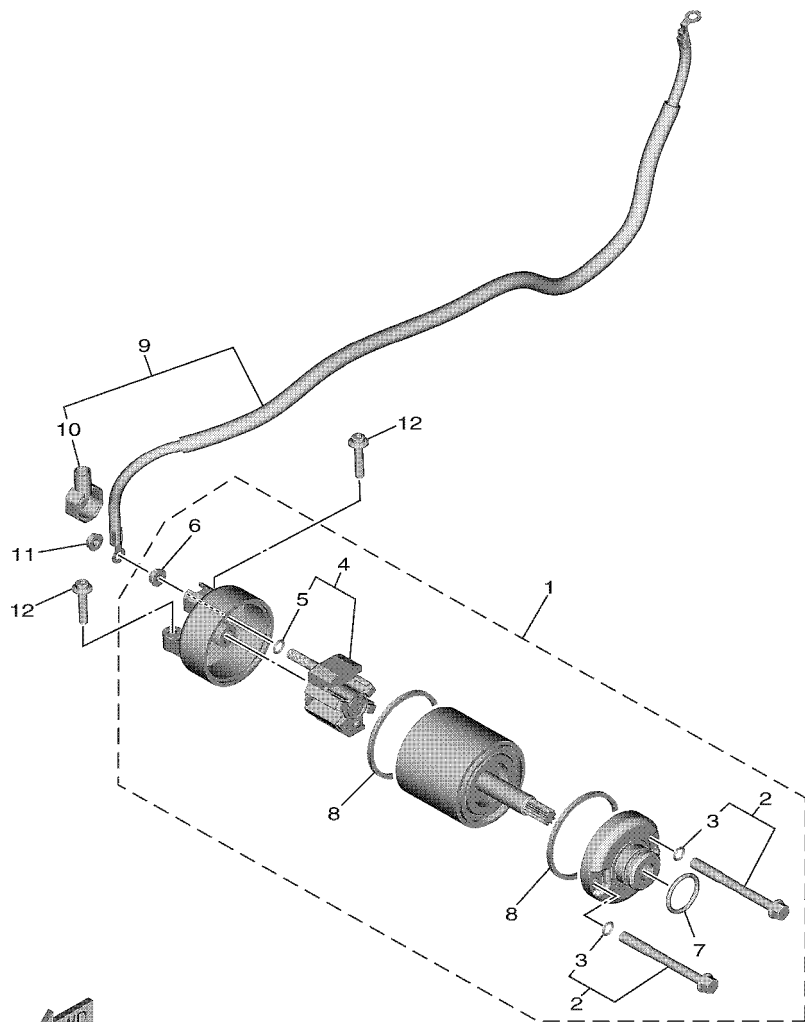


B7N1300DW360

**FIG. 36 GENERATOR**

REF. NO.	PART NO.	DESCRIPTION	B7N1	B7N8	REMARKS
			1	1	
1	1RC-81450-01	ROTOR ASSY	1	1	
2	B7N-81410-00	STATOR ASSY	1	1	
3	90110-06223	BOLT, HEXAGON SOCKET HEAD	3	3	
<hr/>					
<hr/>					
<hr/>					
<hr/>					
<hr/>					
<hr/>					
<hr/>					
<hr/>					
<hr/>					
<hr/>					

**FIG. 37 STARTING MOTOR**



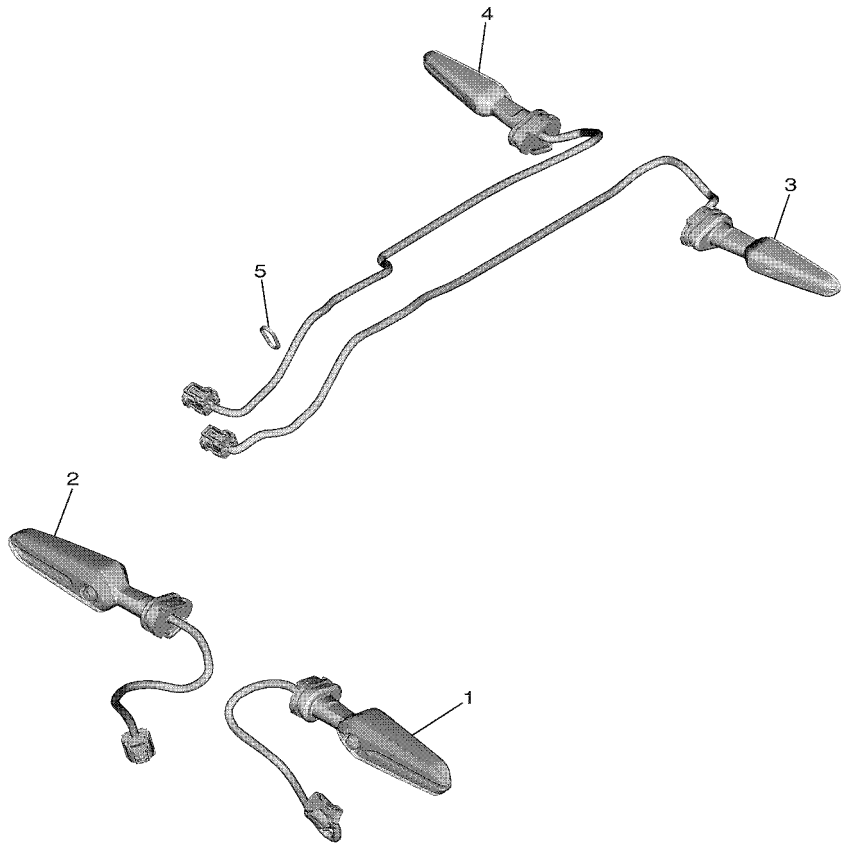
← END  
B7N1300DW370

REF. NO.	PART NO.	DESCRIPTION			REMARKS
			B7N1	B7N8	
1	B7N-81890-00	MOTOR ASSY	1	1	
2	28P-81826-00	.BOLT	2	2	
3	3TB-81847-00	.O-RING	1	1	
4	4B5-81840-00	.BRUSH HOLDER ASSY	1	1	
5	3TB-81847-00	.O-RING	1	1	
6	4XV-8182A-00	.NUT	1	1	
7	1FK-81847-00	.O-RING	1	1	
8	11H-81844-00	.GASKET	2	2	
9	B7N-81815-00	CORD, STARTER MOTOR	1	1	
10	4B5-81871-00	.CAP	1	1	
11	4XV-8182A-00	NUT	1	1	
12	90110-06388	BOLT, HEXAGON SOCKET HEAD	2	2	

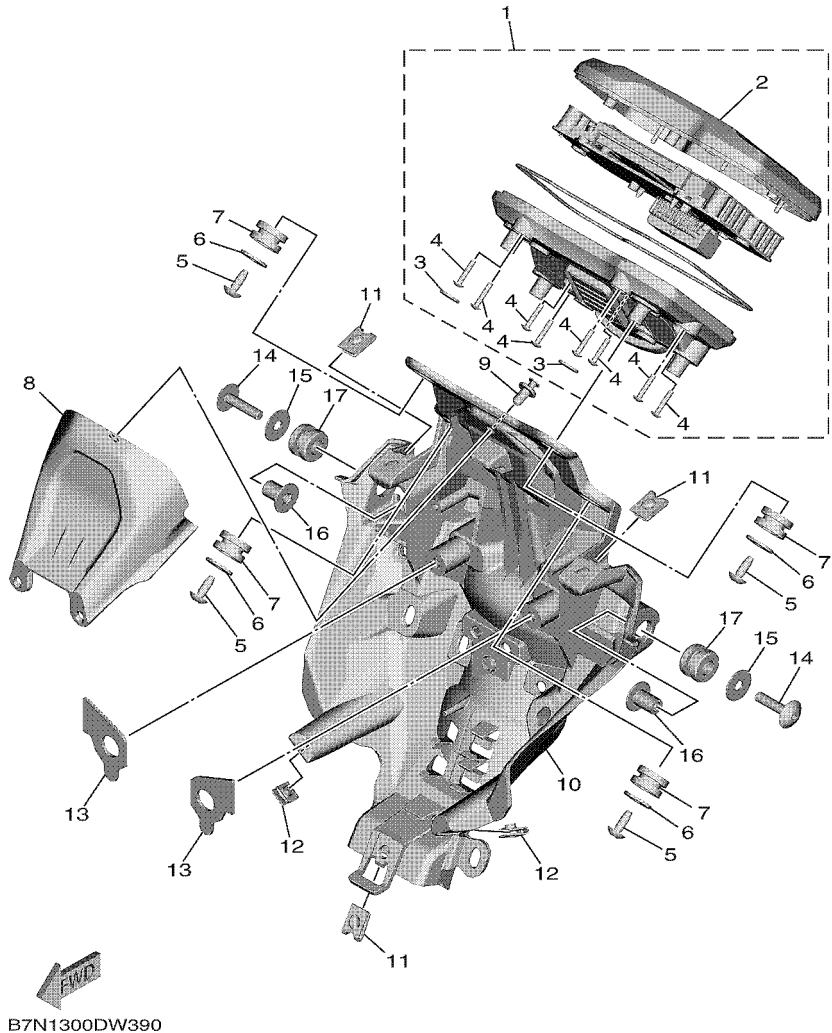


**FIG. 38 FLASHER LIGHT**

REF. NO.	PART NO.	DESCRIPTION	B7N1	B7N8	REMARKS
1	B7N-83310-00	FRONT FLASHER LIGHT ASSY 1	1	1	
2	B7N-83320-00	FRONT FLASHER LIGHT ASSY 2	1	1	
3	B7N-83330-00	REAR FLASHER LIGHT ASSY 1	1	1	
4	B7N-83340-00	REAR FLASHER LIGHT ASSY 2	1	1	
5	90465-10098	CLAMP	1	1	



← END  
B7N1300DW380

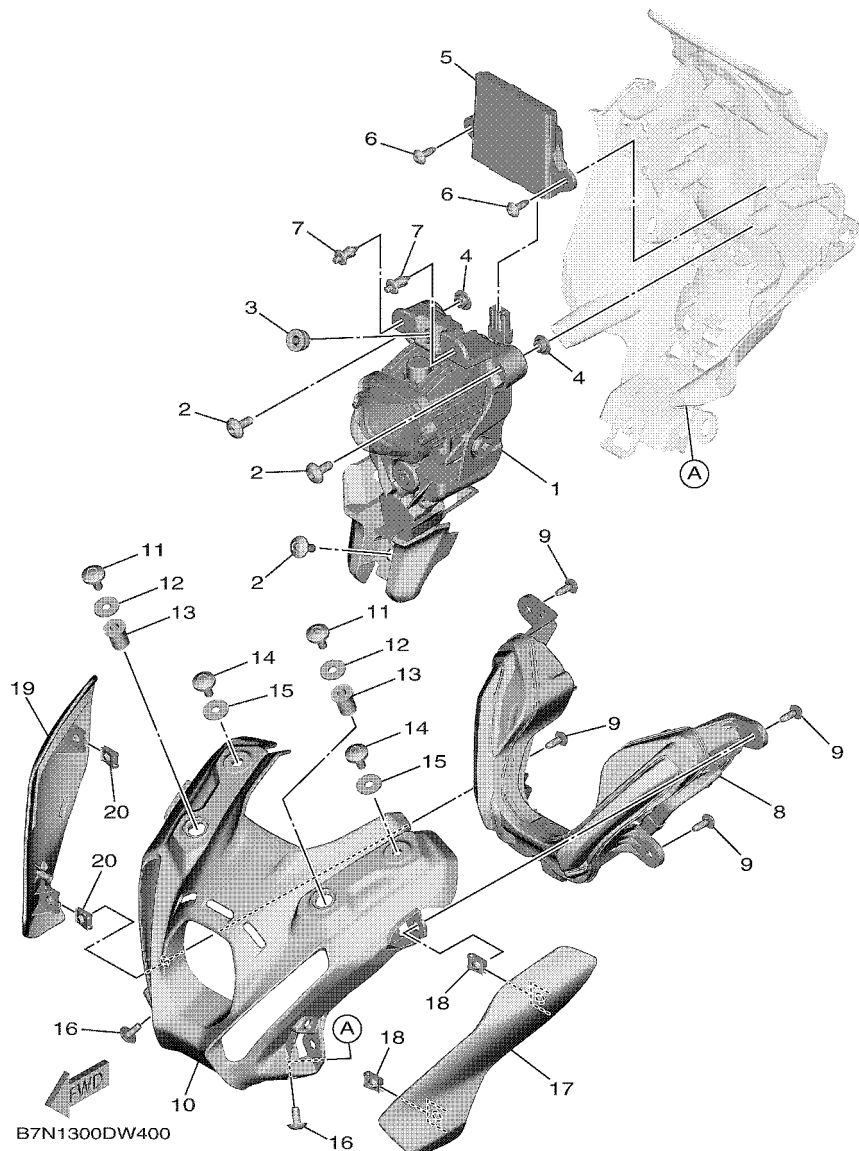


B7N1300DW390

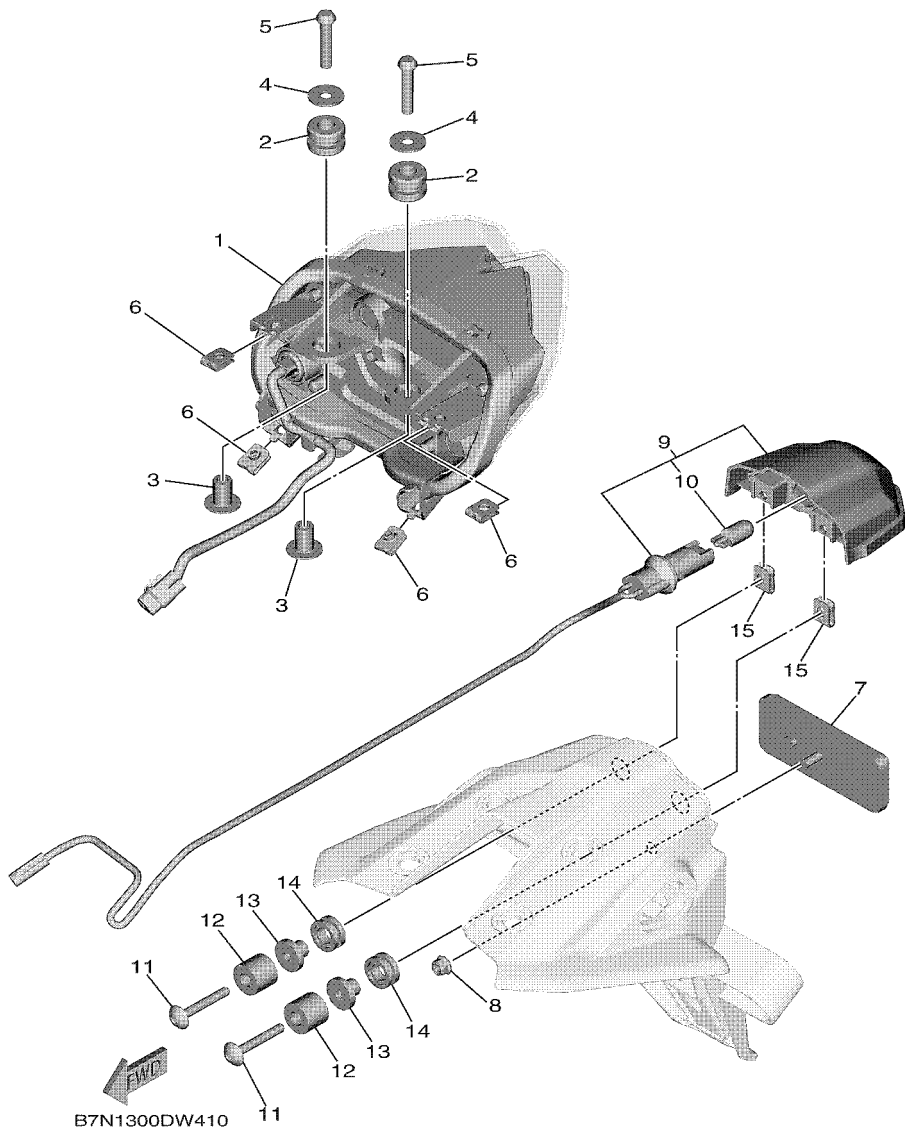
FIG. 39 METER

REF. NO.	PART NO.	DESCRIPTION	B7N1	B7N8	REMARKS
1	B7N-83500-00	METER ASSY (KM/H)	1	1	UR EXCEPT FOR GBR
	B7N-83500-10	METER ASSY (MPH)	1		UR FOR GBR
2	B7N-8353E-00	.CASE, METER UPPER	1	1	
3	8GC-21732-00	.SEAL 1	2	2	
4	5PW-8352S-00	.SCREW, PANEL FTING	8	8	
5	90160-05017	SCREW, ROUND TAPPING	4	4	
6	90201-05036	WASHER, PLATE	4	4	
7	4XV-83513-00	DAMPER	4	4	
8	B7N-83559-00	COVER, METER	1	1	
9	90269-06018	RIVET	1	1	
10	B7N-83519-00	BRACKET, METER	1	1	
11	90183-061A4	NUT, SPRING	3	3	
12	90183-05076	NUT, SPRING	2	2	
13	B7N-83513-00	DAMPER	2	2	
14	90111-06189	BOLT,HEX. SOCKET BUTTON	2	2	
15	90201-06063	WASHER, PLATE	2	2	
16	90387-06136	COLLAR	2	2	
17	90480-14102	GROMMET	2	2	

**FIG. 40 HEADLIGHT**

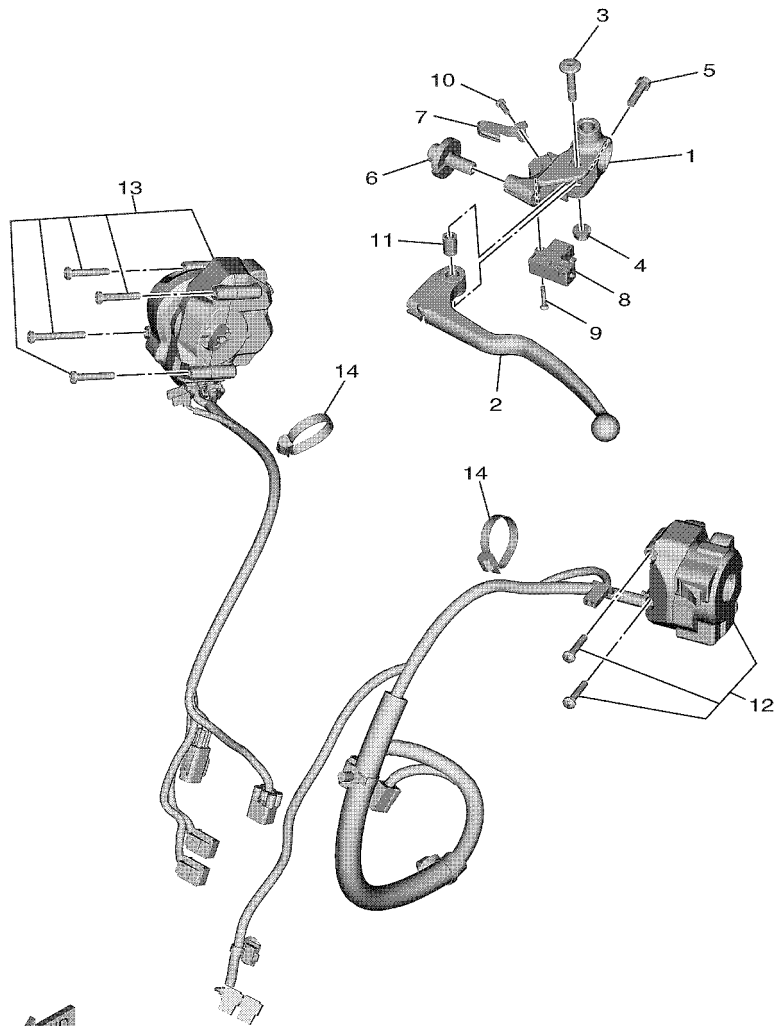


REF. NO.	PART NO.	DESCRIPTION			REMARKS
			B7N1	B7N8	
1	B7N-84300-00	HEADLIGHT ASSY	1	1	
2	90111-06095	BOLT,HEX. SOCKET BUTTON	3	3	
3	90480-10003	GROMMET	1	1	
4	90387-06353	COLLAR	2	2	
5	B7N-85490-00	LIGHT CONTROL UNIT	1	1	
6	90160-05017	SCREW, ROUND TAPPING	2	2	
7	90269-06001	RIVET	2	2	
8	B7N-84301-00	PILOT LIGHT ASSY 1	1	1	
9	90160-05017	SCREW, ROUND TAPPING	4	4	
10	B7N-2836K-00	PANEL, INNER 1	1	1	
11	90111-06127	BOLT,HEX. SOCKET BUTTON	2	2	
12	90201-06023	WASHER, PLATE	2	2	
13	90179-06520	NUT	2	2	
14	90111-06127	BOLT,HEX. SOCKET BUTTON	2	2	
15	90201-06023	WASHER, PLATE	2	2	
16	90111-05002	BOLT,HEX. SOCKET BUTTON	2	2	
17	B7N-23122-00-P0	COVER, OUTER 1	1	1	MBNM3 FOR DPBMC
	B7N-23122-00-3E	COVER, OUTER 1	1	1	FOR PGD
	B7N-23122-00-P1	COVER, OUTER 1	1	1	FOR MDNM6
18	90183-05042	NUT, SPRING	2	2	
19	B7N-23132-00-P0	COVER, OUTER 2	1	1	MBNM3 FOR DPBMC
	B7N-23132-00-3E	COVER, OUTER 2	1	1	FOR PGD
	B7N-23132-00-P1	COVER, OUTER 2	1	1	FOR MDNM6
20	90183-05042	NUT, SPRING	2	2	



**FIG. 41 TAILLIGHT**

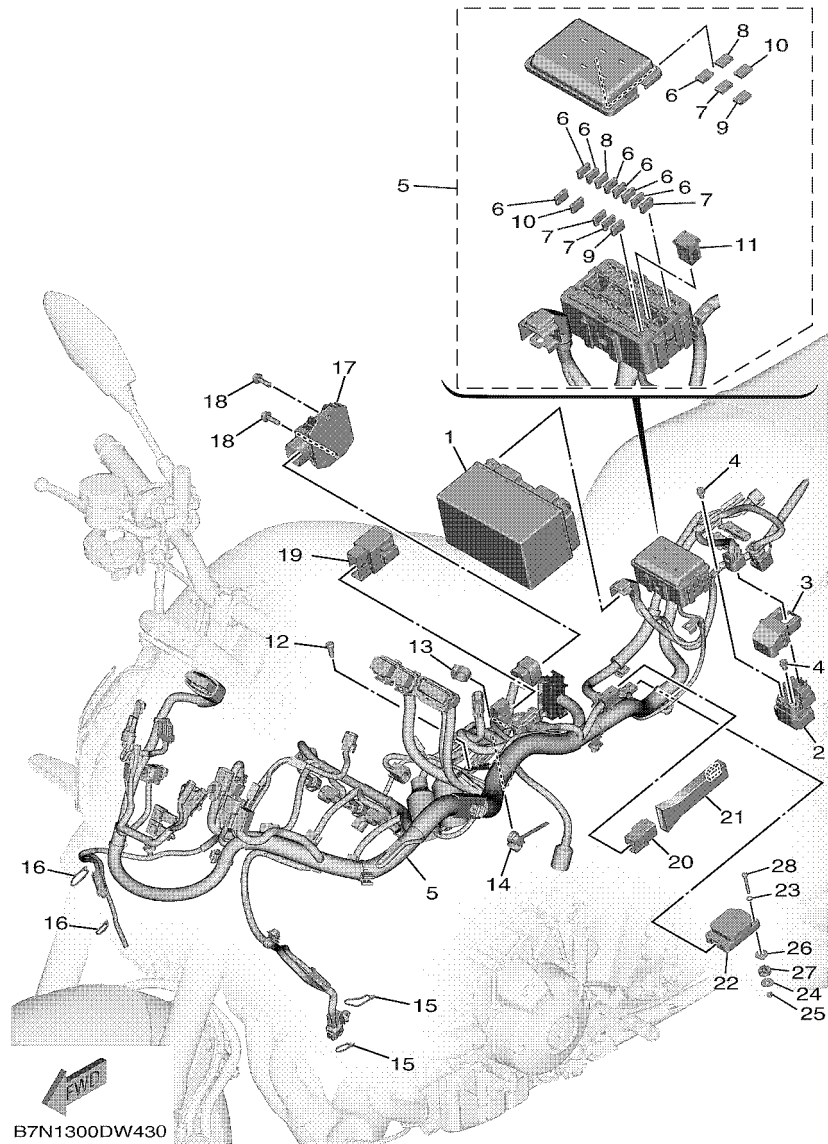
REF. NO.	PART NO.	DESCRIPTION			REMARKS
			B7N1	B7N8	
1	B7N-84700-00	TAILLIGHT ASSY	1	1	
2	90480-14102	GROMMET	2	2	
3	90387-06136	COLLAR	2	2	
4	90201-06062	WASHER, PLATE	2	2	
5	92012-06030	BOLT, BUTTON HEAD	2	2	
6	90183-05076	NUT, SPRING	4	4	
7	3Y6-85130-02	REAR REFLECTOR ASSY	1	1	
8	95602-05200	NUT, SELF-LOCKING	1	1	
9	2PN-84745-01	LICENCE LIGHT UNIT ASSY	1	1	
10	5DM-84347-00	.BULB (12V-5W)	1	1	
11	90111-05006	BOLT,HEX. SOCKET BUTTON	2	2	
12	90387-08125	COLLAR	2	2	
13	90387-05044	COLLAR	2	2	
14	90480-14017	GROMMET	2	2	
15	90183-05076	NUT, SPRING	2	2	



  
 B7N1300DW420

**FIG. 42 HANDLE SWITCH & LEVER**

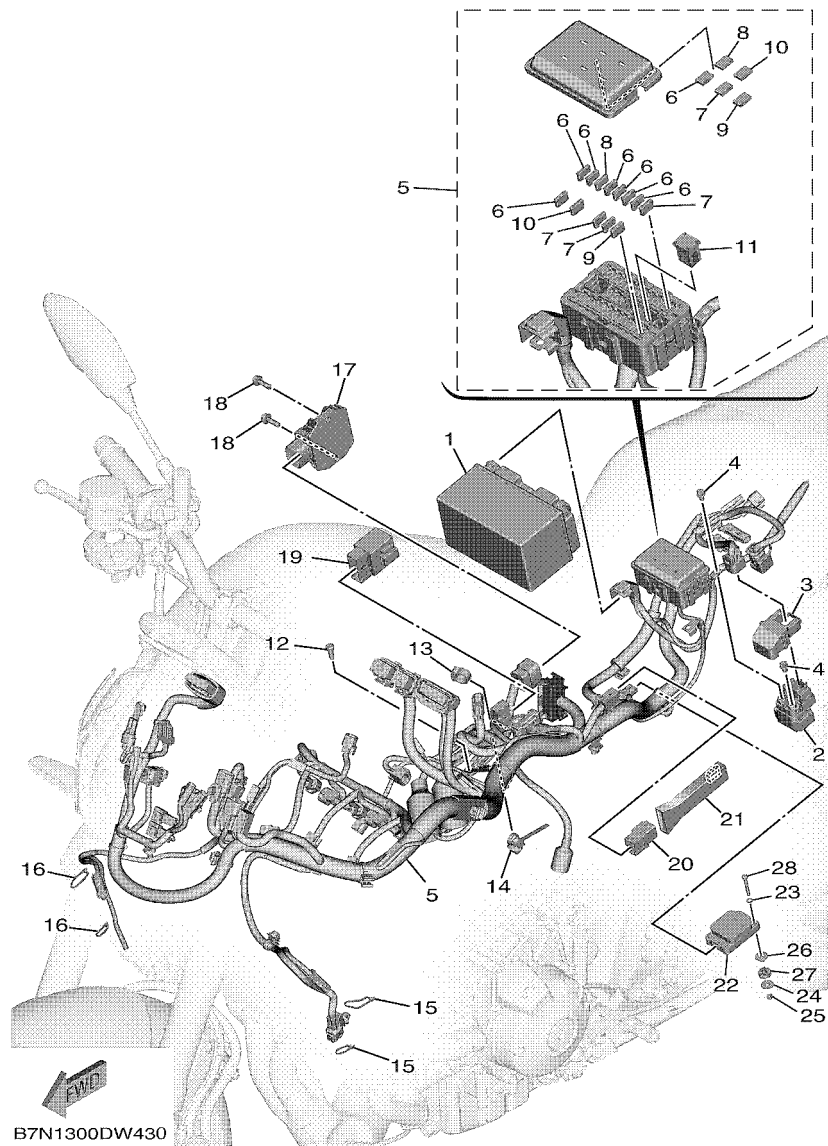
REF. NO.	PART NO.	DESCRIPTION	B7N1	B7N8	REMARKS
1	1B3-82911-00	HOLDER, LEVER 1	1	1	
2	5EB-83912-03	LEVER 1	1	1	
3	2C0-83945-00	BOLT, LEVER	1	1	
4	95607-06200	NUT, SELF U-FLANGE	1	1	
5	95027-06020	BOLT, FLANGE	1	1	
6	5LV-83951-00	BOLT, CABLE ADJUSTING	1	1	
7	4XV-83929-00	PLATE, SPRING	1	1	
8	3YX-82917-01	SWITCH	1	1	
9	98704-03020	SCREW, FLAT HEAD	1	1	
10	98507-04010	SCREW, PAN HEAD	1	1	
11	5JJ-83913-00	COLLAR, LEVER 1	1	1	
12	B7N-83969-00	SWITCH, HANDLE 5	1	1	
13	B7N-8291R-00	SW., HANDLE RH	1	1	
14	90464-13073	CLAMP	2	2	(125.0x7.0)



**FIG. 43 ELECTRICAL 1**

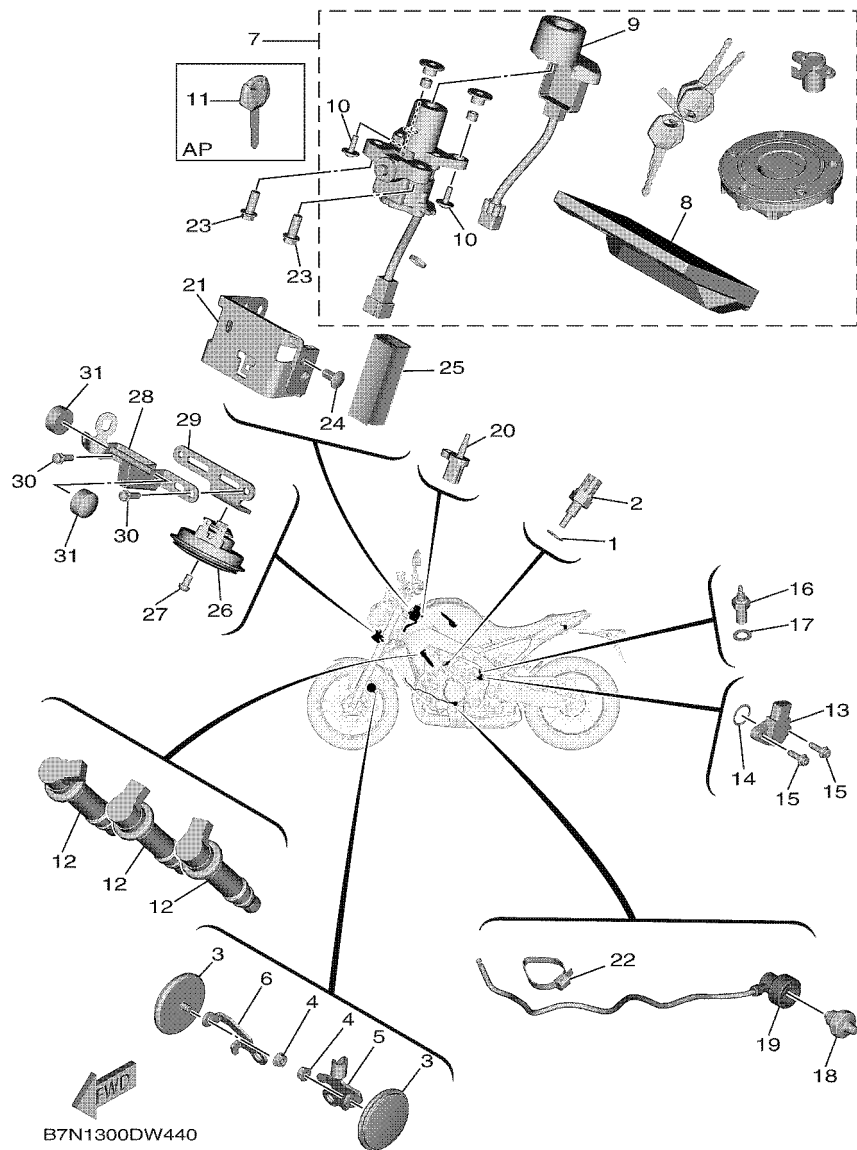
REF. NO.	PART NO.	DESCRIPTION			REMARKS
			B7N1	B7N8	
1	5VY-82100-00	BATTERY ASSY (YUASA YTZ10S)	1	1	
2	B7N-81940-00	STARTER RELAY ASSY	1	1	
3	5SL-82119-30	COVER, LEAD WIRE	1	1	
4	90105-06230	BOLT, FLANGE	2	2	
5	B7N-82590-00	WIRE HARNESS ASSY	1	1	
6	B7N-82151-00	.FUSE (7.5A)	8	8	
7	B7N-82151-10	.FUSE (15A)	4	4	
8	B7N-82151-30	.FUSE (10A)	2	2	
9	B7N-82151-60	.FUSE (30A)	2	2	
10	B7N-82151-80	.FUSE (2A)	2	2	
11	B7N-82151-B0	.FUSE (50A)	1	1	
12	91312-06016	BOLT, HEXAGON SOCKET HEAD	1	1	
13	90464-16003	CLAMP	1	1	
14	90464-25009	CLAMP	1	1	
15	90465-10098	CLAMP	2	2	
16	90465-10098	CLAMP	2	2	
17	2CR-81960-00	RECTIFIER & REGULATOR ASSY	1	1	
18	95D37-06020	BOLT, FLANGE DEEP RECESS	2	2	
19	5VK-81950-41	RELAY ASSY (5VK-41)	1	1	
20	5UM-81950-E0	RELAY ASSY (5UM-E0)	1	1	
21	B5U-82599-00	COVER, CONNECTOR	1	1	
22	B7N-8593A-00	INERTIAL MEASURE, UNIT ASSY	1	1	
23	92902-04600	WASHER, PLATE	4	4	
24	90201-04034	WASHER, PLATE	4	4	
25	95607-04100	NUT, U	4	4	
26	B7N-83522-00	COLLAR	4	4	
27	B7N-8A8D0-00	GROMMET	4	4	

FIG. 43 ELECTRICAL 1



REF. NO.	PART NO.	DESCRIPTION	QTY		REMARKS
			B7N1	B7N8	
28	91317-04030	BOLT,HEX.SOCKET HEAD	4	4	

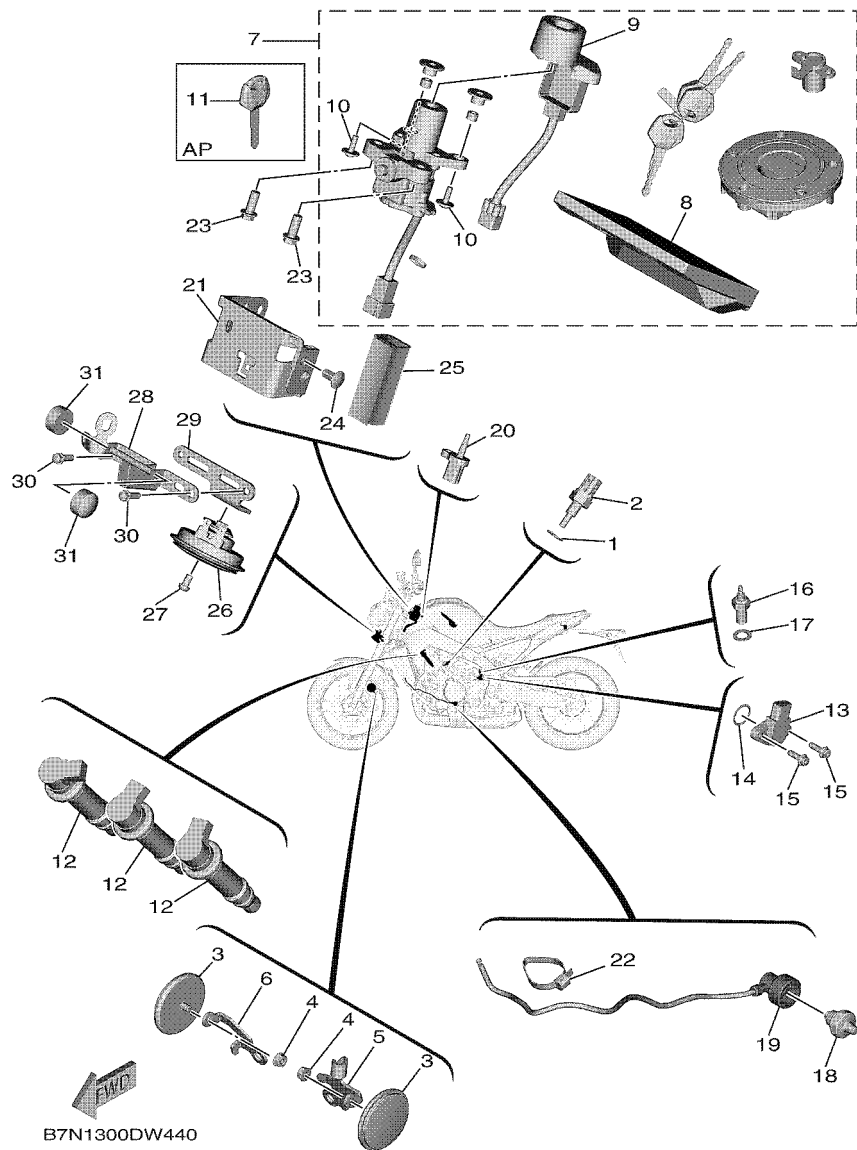
FIG. 44 ELECTRICAL 2



REF. NO.	PART NO.	DESCRIPTION	B7N1	B7N8	REMARKS
1	90430-10004	GASKET	1	1	
2	4P9-83591-00	THERMO UNIT	1	1	
3	4AG-85111-00	REFLECTOR, FRONT 1	2	2	
4	95702-06500	NUT, FLANGE	2	2	
5	B7N-85112-00	BRACKET, REFLECTOR 1	1	1	
6	B7N-85122-00	BRACKET, REFLECTOR 2	1	1	
7	B7N-W8250-00	MAIN SW. IMMOBILIZER KIT	1		
	B7N-W8250-20	MAIN SW. IMMOBILIZER KIT		1	
8	B7N-8591A-00	.ENGINE CONTROL UNIT ASSY	1		
	B7N-8591A-20	.ENGINE CONTROL UNIT ASSY		1	
9	B7N-8255P-00	.IMMOBILIZER. UNIT COMP.	1	1	
10	5SL-82113-01	.SCREW	2	2	
11	5SL-82511-08	BLANK KEY	1	1	AP
12	1WS-82310-00	IGNITION COIL ASSY	3	3	
13	2CR-85899-10	SENSOR, GEAR POSITION	1	1	
14	93210-17008	O-RING	1	1	
15	90110-05067	BOLT, HEXAGON SOCKET HEAD	2	2	
16	3GB-82540-01	NEUTRAL SWITCH ASSY	1	1	
17	90430-10148	GASKET	1	1	
18	1WS-82504-00	OIL PRESSURE SWITCH ASSY	1	1	
19	B3L-82509-11	WIRE, SUB LEAD	1	1	
20	5YU-85886-00	SENSOR, AIR TEMPERATURE	1	1	
21	B7N-82599-00	COVER, CONNECTOR	1	1	
22	90464-13073	CLAMP	1	1	(125.0x7.0)
23	90105-081A1	BOLT, FLANGE	2	2	
24	90269-07015	RIVET	1	1	
25	B7N-82589-00	PROTECTOR, WIRE HARNESS	1	1	

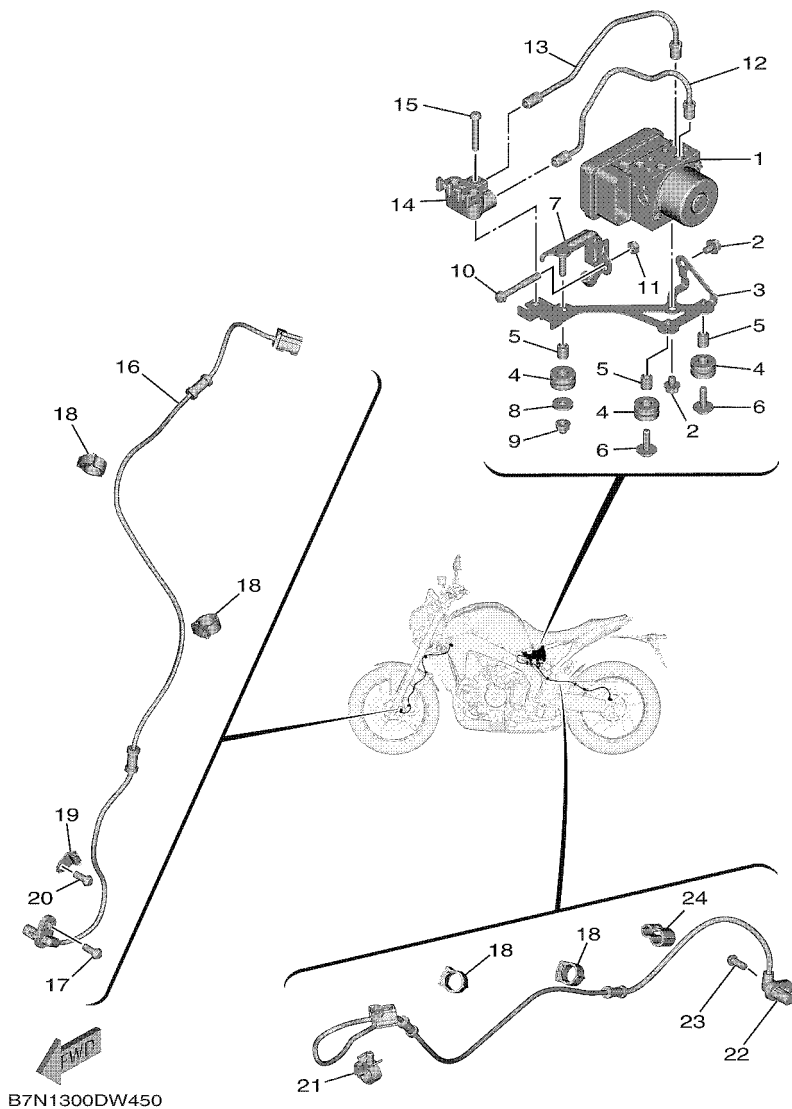


**FIG. 44 ELECTRICAL 2**



REF. NO.	PART NO.	DESCRIPTION	B7N1	B7N8	REMARKS
26	B7N-83371-00	HORN	1	1	
27	92017-06010	BOLT, BUTTON HEAD	1	1	
28	B7N-8431R-00	STAY, SETTING	1	1	
29	B7N-23377-00	BRACKET, HORN	1	1	
30	95027-06016	BOLT, FLANGE	2	2	
31	B7N-84527-00	DAMPER	2	2	

**FIG. 45 ELECTRICAL 3**



REF. NO.	PART NO.	DESCRIPTION			REMARKS
			B7N1	B7N8	
1	B7N-85930-09	HYDRAULIC UNIT ASSY	1	1	
2	95822-06008	BOLT, FLANGE	2	2	
3	B7N-85991-00	BRACKET, UNIT	1	1	
4	90480-14229	GROMMET	3	3	
5	90387-065L7	COLLAR	3	3	
6	90119-06267	BOLT, WITH WASHER	2	2	
7	B7N-85542-00	BRACKET	1	1	
8	90201-06778	WASHER, PLATE	1	1	
9	90176-06065	NUT, CROWN	1	1	
10	95027-06045	BOLT, FLANGE	1	1	
11	95607-06100	NUT, SELF-LOCKING	1	1	
12	B7N-25871-00	PIPE, BRAKE	1	1	
13	B7N-25882-00	PIPE, BRAKE 2	1	1	
14	B7N-25885-00	JOINT	1	1	
15	92012-06035	BOLT, BUTTON HEAD	1	1	
16	B7N-85970-00	WHEEL SENSOR ASSY, FRONT	1	1	
17	92017-06014	BOLT, BUTTON HEAD	1	1	
18	90464-16003	CLAMP	4	4	
19	2CR-23317-00	HOLDER, CABLE	1	1	
20	92017-06014	BOLT, BUTTON HEAD	1	1	
21	90464-14013	CLAMP	1	1	
22	B7N-85980-00	WHEEL SENSOR ASSY, REAR	1	1	
23	92014-06014	BOLT, BUTTON HEAD	1	1	
24	90464-10233	CLAMP	1	1	

NUMERICAL INDEX

PART NO.	REF. NO.	PART NO.	REF. NO.	PART NO.	REF. NO.	PART NO.	REF. NO.	PART NO.	REF. NO.	PART NO.	REF. NO.
B7N-11101-09	1 - 1	1HX-12168-W1	3 - 9	1RC-13355-00	7 - 2	23P-15156-00	12 - 10	5VY-16382-10	15 - 30	B7N-2137G-00	19 - 23
5VY-1111G-00	1 - 11	1HX-12168-Y1	3 - 9	B7N-13400-00	8 - 3	B7N-15163-00	16 - 2	1TD-16383-01	15 - 12	B7N-2137W-00-3E	26 - 43
	1 - 20	1HX-12169-11	3 - 9	B7N-13410-00	7 - 5	36Y-15189-00	12 - 22	1TD-16384-00	15 - 13	B7N-2137W-00-P0	26 - 43
	1 - 22	1HX-12169-31	3 - 9	B7N-13414-00	8 - 6	B7N-15199-00	13 - 15	B7N-17121-01	16 - 13	B7N-2137W-00-P1	26 - 43
2C0-11133-11	1 - 2	1HX-12169-50	3 - 9	5GH-13440-61	8 - 2	2CR-15319-01	12 - 19	B7N-17131-01	16 - 8	B7N-2137X-00-3E	26 - 44
B7N-11165-00	1 - 16	1HX-12169-70	3 - 9	BS2-13470-10	8 - 8	2H7-15361-00	12 - 18	B7N-17151-01	16 - 5	B7N-2137X-00-P0	26 - 44
B7N-11169-00	1 - 17	1HX-12169-90	3 - 9	2HC-13473-00	8 - 9	5GJ-15363-10	13 - 25	B7N-17161-01	16 - 10	B7N-2137X-00-P1	26 - 44
B7N-11181-00	1 - 12	1HX-12169-E0	3 - 9	68V-13533-00	9 - 6	B7N-15377-00	12 - 28	B7N-17211-01	16 - 34	2C0-21414-00	19 - 5
B7N-11191-00	1 - 13	1HX-12169-G0	3 - 9	B7N-13542-00	9 - 21	B7N-15381-00	16 - 15	B7N-17221-01	16 - 23	5VY-21424-00	19 - 6
B7N-11193-00	1 - 15	1HX-12169-J0	3 - 9	8FP-13556-00	9 - 3	B7N-15393-00	10 - 21	B7N-17231-01	16 - 31	B7N-21445-00	34 - 56
214-11198-01	8 - 5	1HX-12169-L0	3 - 9	8GL-13571-00	9 - 11	B7N-15411-00	13 - 1	B7N-17241-01	16 - 28	B7N-21446-00	34 - 57
B7N-11400-00	2 - 1	1HX-12169-N0	3 - 9	8HG-13573-00	9 - 10	B7N-15416-00	13 - 27	B7N-17251-01	16 - 32	B7N-2144G-00	34 - 34
2S3-11413-00	2 - 14	1HX-12169-T0	3 - 9	B7N-13635-00	10 - 1	B7N-15418-00	12 - 29	B7N-17261-01	16 - 26	4C8-21495-00	19 - 16
2S3-11413-10	2 - 14	B7N-12170-00	4 - 1	B7N-13636-00	10 - 3	B7N-15421-00	13 - 19	B7N-17411-01	16 - 1	B7N-21511-00-P0	20 - 1
2S3-11413-20	2 - 14	B7N-12176-00	4 - 3	B7N-13750-00	9 - 1	B7N-15441-00	12 - 26	B7N-17414-00	16 - 38	B7N-21511-00-P1	20 - 1
2S3-11413-30	2 - 14	B7N-12180-00	4 - 2	B7N-13761-00	9 - 2	BD5-15451-00	13 - 6	B7N-17421-01	16 - 18	1RC-2153E-30	20 - 49
2S3-11413-40	2 - 14	B7N-12210-00	4 - 6	1RC-13907-01	26 - 13	B7N-15456-00	13 - 28	2CR-17460-00	30 - 28	4C8-21568-11	26 - 59
B7N-11416-00	2 - 5	14B-12213-00	4 - 7	B7N-13930-00	9 - 7	B7N-15461-00	15 - 34	B7N-18101-00	18 - 8	B7N-2160E-00	20 - 13
B7N-11416-10	2 - 5	5BE-12241-01	1 - 14	B7N-13971-00	26 - 17	1RC-15484-00	13 - 13	B7N-18111-00	18 - 17	B7N-2160F-00	20 - 11
B7N-11416-20	2 - 5	B7N-12250-00	4 - 10	2C0-14105-00	9 - 15	B7N-15499-00	13 - 23	B7N-18112-00	18 - 14	B7N-21629-00	20 - 24
B7N-11416-30	2 - 5	1RC-12251-00	4 - 9	8A7-14139-00	9 - 5	1RC-15512-10	14 - 1	5EB-18113-00	18 - 18	B7N-2163A-00	20 - 42
B7N-11416-A0	2 - 5	5VY-12277-00	25 - 14	895-14169-00	9 - 4	1RC-15515-10	14 - 5	B7N-18115-00	18 - 23	B7N-2163E-00	20 - 29
1RC-11500-01	2 - 13		25 - 33	2C0-14216-00	9 - 9	5EB-15521-00	14 - 2	5LV-18116-00	18 - 28	B7N-21640-00	20 - 32
B7N-11603-00	2 - 7	B7N-12405-00	6 - 2	8CC-14216-10	9 - 14	1RC-15590-00	14 - 3	5LV-18117-00	18 - 20	2D1-21649-00	20 - 30
B7N-11631-00	2 - 6	B7N-12410-00	5 - 21	3XV-14251-00	9 - 18	B7N-15789-00	13 - 24	1D7-18127-00	18 - 4	3P6-21649-00	20 - 31
39P-11633-00	2 - 8	B7N-12420-00	5 - 1	5FL-14348-00	9 - 16	B7N-16150-00	15 - 1	B7N-18140-00	18 - 11	B7N-21649-00	20 - 10
B7N-11650-00	2 - 2	B7N-12422-00	5 - 3	5FL-14348-10	9 - 19	363-16154-00	15 - 2	B7N-18143-00	18 - 1	B7N-2164F-00	20 - 27
1RC-11654-00	2 - 3	5VK-12438-00	5 - 7	8FP-14349-00	9 - 17	2C0-16164-00	15 - 26	4XV-18154-00	18 - 19	B7N-2164G-00	20 - 28
1RC-11656-00	2 - 4	1RC-12439-00	5 - 11	B7N-14402-00	10 - 7	B7N-16164-00	15 - 25		18 - 30	B7N-21650-00	22 - 13
1RC-11656-10	2 - 4	B7N-1243A-00	6 - 18	B7N-14411-00	10 - 6	B7N-16173-00	15 - 9	B7N-18175-00	18 - 10	B7N-21651-00	20 - 44
1RC-11656-20	2 - 4	1RC-12450-10	5 - 2	B7N-14425-00	10 - 19	1RC-16181-00	15 - 27	1RC-18511-00	17 - 2	BM6-21668-00	22 - 40
1RC-11656-30	2 - 4	1RC-12459-00	5 - 4	B7N-14426-00	10 - 20	B7N-16321-00	15 - 4	1RC-18512-00	17 - 3	2C0-21669-00	21 - 9
1RC-12111-01	3 - 1	B7N-12461-00	6 - 1	1WS-1443E-00	10 - 17	1TD-16324-00	15 - 7	1RC-18513-00	17 - 4	B7N-21682-00	20 - 37
1RC-12113-00	3 - 4	5SL-12462-00	6 - 9	B7N-1443J-00	9 - 28	BR9-16324-00	15 - 14	B7N-18531-00	17 - 5	B7N-21688-00	20 - 21
B7N-12114-00	3 - 5	B7N-12467-00	6 - 5	B7N-14451-00	10 - 8		15 - 15	B7N-18535-00	17 - 6	B7N-21711-00	21 - 1
3D7-12116-00	3 - 3	1RC-12469-00	5 - 23	14B-14452-00	10 - 9	4B1-16325-00	15 - 14	2C0-18536-00	17 - 8	B7N-2171E-00	6 - 36
3D7-12117-00	3 - 6	1RC-12564-00	13 - 7	B7N-14453-00	10 - 11		15 - 15	B7N-18540-01	17 - 1	B7N-2171X-00	6 - 38
1WG-12118-00	3 - 7	B7N-12576-00	5 - 35	B7N-14454-00	10 - 13	5VY-16325-00	15 - 6	B7N-18562-00	17 - 9	B7N-21721-00	21 - 5
2HC-12119-00	3 - 8	1RC-12577-00	5 - 18	B7N-14463-00	10 - 12		15 - 14	B7N-2111B-09-P0	19 - 1	1RC-2172W-00	6 - 47
1RC-12121-01	3 - 2	BS2-12578-00	5 - 26	8HG-14534-00	9 - 12		15 - 15	B7N-2117F-00	19 - 30	8GC-21732-00	39 - 3
B4T-12153-00	3 - 10	BS2-12579-00	5 - 29	4FM-14613-00	11 - 4	B90-16331-00	15 - 5	B7N-2117M-00	19 - 31	B7N-2173E-00	26 - 61
B4T-12153-09	3 - 10	B7N-12588-00	5 - 32	B7N-14710-00	11 - 1	2CR-16337-00	15 - 11	B7N-21190-09-P0	19 - 2	B7N-2173E-10	26 - 61
1HX-12168-F0	3 - 9	B7N-12638-00	6 - 11	B7N-14867-00	13 - 16	1RC-16340-00	15 - 21	B7N-21261-00	20 - 23	B7N-2173E-20	26 - 61
1HX-12168-H1	3 - 9	5GJ-12675-00	6 - 3	B7N-14868-00	13 - 17	132-16346-00	18 - 2	5VX-21289-00	19 - 28	B7N-2173F-00	26 - 62
1HX-12168-K1	3 - 9	5VY-13117-10	7 - 8	B7N-14869-00	13 - 18	B7N-16350-00	15 - 8	B7N-21315-00	19 - 17	B7N-2173F-10	26 - 62
1HX-12168-M1	3 - 9	B7N-1316E-00	7 - 11	B7N-15100-09	12 - 1	B90-16352-00	15 - 10	B7N-21316-01	19 - 18	B7N-2173F-20	26 - 62
1HX-12168-R1	3 - 9	1RC-1319L-10	5 - 8	B7N-15138-00	12 - 4	B7N-16356-00	15 - 20	B7N-2135F-00	20 - 9	1RC-21748-00	6 - 54
1HX-12168-U1	3 - 9	B7N-13300-00	7 - 1	5EB-15155-00	12 - 2	B7N-16371-00	15 - 3	B7N-2137F-00	19 - 20	1RC-21749-00	6 - 51

NUMERICAL INDEX

PART NO.	REF. NO.	PART NO.	REF. NO.	PART NO.	REF. NO.	PART NO.	REF. NO.	PART NO.	REF. NO.	PART NO.	REF. NO.
B7N-2175T-00	6 - 22	509-23158-L0	25 - 11	B7N-25168-00-P0	28 - 1	306-25825-01	29 - 26	3GM-25925-00	29 - 24	1RC-81450-01	36 - 1
B7N-2175U-00	6 - 29		25 - 30	B7N-25168-00-P1	28 - 1	1UY-25825-51	31 - 19	1RC-25926-00	31 - 17	B7N-81815-00	37 - 9
B7N-21816-00	6 - 46	B7N-23170-00	25 - 29	1SD-2517G-00	29 - 3		33 - 8	B7N-26111-00	32 - 1	28P-81826-00	37 - 2
B7N-21826-00	6 - 43	B7N-23170-10	25 - 10	2PW-2517G-00	31 - 3	5SL-25827-00	31 - 20	B7N-2612E-00	33 - 38	4XV-8182A-00	37 - 6
1RC-21828-00	6 - 42	4FM-23171-40	25 - 9	4XV-25181-10	28 - 9	5SL-25827-10	31 - 21	B7N-26132-00	6 - 15		37 - 11
1RC-21871-00	6 - 40		25 - 28	B7N-251G3-00	28 - 10	5SL-25828-01	31 - 22	5PS-26133-20	32 - 8	4B5-81840-00	37 - 4
B7N-21875-00	6 - 41	278-23181-50	25 - 12	B7N-251G3-10	28 - 10	2D1-2582A-00	35 - 7		32 - 10	11H-81844-00	37 - 8
B7N-22110-00	22 - 1		25 - 31	B7N-25338-00-98	30 - 3	2VN-2582A-50	33 - 3	B7N-26240-00	32 - 5	1FK-81847-00	37 - 7
5VY-22128-00	22 - 5	2CR-23317-00	45 - 19	B7N-25338-00-P0	30 - 3	B7N-2582E-00	35 - 20	2C0-26241-00	32 - 2	3TB-81847-00	37 - 3
B7N-22141-00	22 - 34	B7N-23340-00	25 - 38	B7N-25338-00-P1	30 - 3	1RC-2582W-00	31 - 1	4YR-26246-00	32 - 3		37 - 5
B7N-22151-00	22 - 9	3LC-23357-00	25 - 16	BD5-25364-00	30 - 9	5SL-25838-00	31 - 9	B7N-26280-00	32 - 7	4B5-81871-00	37 - 10
B7N-2217A-00	22 - 23		25 - 35	2CR-25366-00	30 - 14	56P-2583V-00	35 - 5	B7N-26290-00	32 - 9	B7N-81890-00	37 - 1
B7N-2217M-00	22 - 26	B7N-23377-00	44 - 29	13S-25376-00	30 - 21	B7N-2584A-00	33 - 33	B7N-26296-00	33 - 24	B7N-81940-00	43 - 2
B7N-221F0-00	22 - 41	4XV-23415-01	24 - 2	5EB-25377-00	30 - 13	B7N-2584B-00	33 - 35	2C0-26326-00	35 - 16	5VK-81950-41	43 - 19
B7N-22210-00	23 - 1	4XV-23418-00	24 - 4	B7N-2537W-00	30 - 18	2C0-25852-00	35 - 12	B7N-26332-00	33 - 10	5UM-81950-E0	43 - 20
B7N-22538-00	22 - 18	B7N-23435-00	24 - 8	4XV-25381-10	30 - 25	3GM-25852-50	33 - 17	B7N-26335-00	32 - 6	2CR-81960-00	43 - 17
B7N-22825-00	6 - 45	B7N-23441-00	24 - 10	4XV-25388-00	30 - 23	2VN-25854-00	35 - 13	278-27114-00	27 - 5	5VY-82100-00	43 - 1
B7N-23102-00	25 - 20	B7N-23442-00	24 - 12	4XV-25389-00	30 - 24	3FV-25854-00	33 - 18	371-27114-00	27 - 3	5SL-82113-01	44 - 10
B7N-23103-00	25 - 1	3FV-23462-00	25 - 39	23P-25398-00	28 - 7	2CR-25855-00	33 - 19	B7N-27114-00	27 - 4	5SL-82119-30	43 - 3
B7N-23110-00	25 - 22	B7N-23892-00	19 - 24		30 - 12	2VN-25855-00	35 - 14	B7N-27211-00	34 - 26	B7N-8212B-00	20 - 4
BS2-23111-00	25 - 36	B7N-24110-00-P1	26 - 1	B7N-25445-00	30 - 17	4BP-2585F-01	35 - 8	4BP-27222-02	35 - 9	2T4-82131-00	27 - 16
BS2-23111-11	25 - 17	B7N-2411F-00	26 - 56	4SV-25802-00	29 - 8	2VN-25866-00	33 - 5	B7N-27311-00	34 - 1	B7N-82137-00	20 - 18
5VY-23118-00	25 - 15	B7N-2411L-00	26 - 57		29 - 19	B7N-25867-00	33 - 9	B7N-27315-00	34 - 9	B7N-82151-00	43 - 6
	25 - 34	1RC-2413B-01	26 - 46	5SL-25802-00	31 - 6	B7N-25871-00	45 - 12	B7N-27321-00	34 - 2	B7N-82151-10	43 - 7
B7N-23120-00	25 - 3	B7N-2413Y-00	26 - 18	4SV-25802-10	29 - 6	B7N-25872-00	33 - 27	B7N-2741L-00	34 - 37	B7N-82151-30	43 - 8
B7N-23122-00-3E	40 - 17	B67-24161-01	26 - 63		29 - 17	B7N-25875-00	33 - 34	B7N-2742L-00	34 - 47	B7N-82151-60	43 - 9
B7N-23122-00-P0	40 - 17	B7N-24170-00	26 - 27	5SL-25803-00	31 - 7	B7N-25882-00	45 - 13	B7N-27431-00	34 - 36	B7N-82151-80	43 - 10
B7N-23122-00-P1	40 - 17	B7N-24183-00	26 - 28	3GM-25803-10	29 - 7	B7N-25885-00	45 - 14	4C8-27434-00	18 - 32	B7N-82151-B0	43 - 11
4KM-23123-01	25 - 42	B7N-2418B-00	26 - 38		29 - 18	14B-25894-00	35 - 11	4BP-27434-01	34 - 27	34D-82176-00	19 - 29
1RC-23125-00	25 - 8	B7N-24191-00	26 - 2	3MA-25803-10	29 - 9	2CR-25894-00	33 - 16	5VX-27437-00	34 - 40	1WS-82310-00	44 - 12
	25 - 27	B7N-24192-00	26 - 3		29 - 20	B7N-25895-00	33 - 21		34 - 50	1WS-82380-00	9 - 8
B7N-23126-00	25 - 2	B7N-2419F-00	26 - 19	5SL-25805-00	29 - 10	B7N-25895-50	35 - 18	B7N-27441-00	34 - 46	B7N-82480-00	18 - 25
	25 - 21	B7N-241B1-00	26 - 37		29 - 21	3FV-2589A-00	33 - 6	B7N-27442-00	34 - 13	1WS-82504-00	44 - 18
B7N-23132-00-3E	40 - 19	B7N-24313-00	26 - 29	5VX-25806-00	31 - 14	2CR-2589F-00	33 - 12	B7N-27443-00	34 - 20	B3L-82509-11	44 - 19
B7N-23132-00-P0	40 - 19	B7N-24315-00	26 - 25	2CR-25807-00	33 - 2	2CR-2589G-00	33 - 20	B7N-27451-00	34 - 14	5SL-82511-08	44 - 11
B7N-23132-00-P1	40 - 19	B7N-24316-00	26 - 31	56P-25808-50	35 - 6	3GM-2589H-00	33 - 23	B7N-27461-00	34 - 21	B7N-82530-00	34 - 33
B7N-23141-00	25 - 13	B7N-24317-00	26 - 33	B7N-2580A-00	33 - 1	5SL-25914-00	31 - 11	B7N-28100-00	27 - 12	3GB-82540-01	44 - 16
	25 - 32	3D7-24339-00	26 - 20	1RC-2580T-00	29 - 5	5DH-25916-50	31 - 16	2H7-28151-00	27 - 13	B7N-8255P-00	44 - 9
4EB-23144-00	25 - 4	68V-24376-00	9 - 20	1RC-2580U-00	29 - 16	3JD-25917-00	31 - 13	2GV-28152-00	27 - 14	B7N-82566-00	34 - 10
	25 - 23	1RC-24486-00	26 - 15	B7N-2580W-00	31 - 5	5SL-25917-00	31 - 8	23P-28164-00	27 - 15	B7N-82589-00	44 - 25
4EB-23145-01	25 - 6	1RC-24491-00	26 - 14	B7N-2581J-00	35 - 25	29 - 11		B88-2817K-10	26 - 60	B7N-82590-00	43 - 5
	25 - 25	39P-24602-00	26 - 10	B7N-2581K-00	35 - 24	29 - 22		B7N-28186-00	27 - 17	B5U-82599-00	43 - 21
36Y-23146-10	25 - 7	B7N-2465B-00	20 - 33	1RC-2581T-00	29 - 1	5SL-25919-00	31 - 10	B7N-2836K-00	40 - 10	B7N-82599-00	44 - 21
	25 - 26	B7N-24730-01	27 - 1	1J3-25824-00	29 - 14	B7N-25921-50	31 - 12	B7N-2837N-00	26 - 39	1B3-82911-00	42 - 1
3XJ-23147-L1	25 - 18	B90-24780-00	27 - 6		29 - 25	4SV-25924-00	29 - 12	B7N-2837R-00	26 - 40	3YX-82917-01	42 - 8
	25 - 37	B7N-2478X-00	27 - 8	8CR-25824-00	31 - 18		29 - 23	682-44532-01	27 - 2	B7N-8291R-00	42 - 13
26H-23156-00	25 - 5	4XV-25117-00	28 - 2	1UY-25824-51	33 - 7	8CR-25924-00	31 - 15	663-45119-01	6 - 10	B7N-83310-00	38 - 1
	25 - 24	B7N-25168-00-98	28 - 1	306-25825-01	29 - 15	3GM-25925-00	29 - 13	B7N-81410-00	36 - 2	B7N-83320-00	38 - 2

NUMERICAL INDEX

PART NO.	REF. NO.	PART NO.	REF. NO.	PART NO.	REF. NO.	PART NO.	REF. NO.	PART NO.	REF. NO.	PART NO.	REF. NO.
B7N-83321-00	6 - 23	B7N-85991-00	45 - 3	90109-08246	19 - 21	90111-06136	26 - 22	90179-30006	24 - 3	90202-05180	26 - 49
	6 - 30	B7N-86120-00	26 - 36	90109-08263	19 - 26	90111-06137	26 - 52	90183-05042	26 - 48	90202-30235	24 - 5
B7N-83330-00	38 - 3	B7N-8A8D0-00	43 - 27	90109-085E2	19 - 19	90111-06151	22 - 16		40 - 18	90206-12074	34 - 28
B7N-83340-00	38 - 4	5YP-E2671-00	6 - 4	90110-05028	26 - 16	90111-06160	27 - 9		40 - 20	90206-14086	18 - 33
B7N-83371-00	44 - 26	B7N-W001A-00	30 - 31	90110-05067	44 - 15	90111-06161	6 - 6	90183-05076	6 - 27	90208-20001	15 - 17
B7N-83500-00	39 - 1	B7N-W001G-00	15 - 35	90110-05112	26 - 11	90111-06188	12 - 32		6 - 34	90208-22002	30 - 29
B7N-83500-10	39 - 1	B7N-W001M-00	15 - 36	90110-06164	8 - 10	90111-06189	39 - 14		39 - 12	90209-22008	16 - 6
4XV-83513-00	39 - 7	B7N-W003B-00	25 - 43	90110-06168	10 - 5	90111-06190	20 - 26		41 - 6	90209-28008	16 - 24
B7N-83513-00	39 - 13	1RC-W2470-00	27 - 10		13 - 14	90111-06191	20 - 3		41 - 15	90214-22002	16 - 12
B7N-83519-00	39 - 10	B7N-W8250-00	44 - 7	90110-06173	7 - 9	90111-08005	34 - 44	90183-05M02	26 - 42	90214-22003	16 - 11
B7N-83522-00	43 - 26	B7N-W8250-20	44 - 7	90110-06175	5 - 25		34 - 54	90183-06069	20 - 8	90214-28002	16 - 30
5PW-8352S-00	39 - 4	B7N-Y2410-00-01	26 - 1	90110-06223	36 - 3	90116-10048	30 - 19		20 - 17	90214-29002	16 - 29
B7N-8353E-00	39 - 2	B7N-YK241-00-P0	26 - 1	90110-06232	10 - 23	90119-06193	6 - 25	90183-061A4	39 - 11	90240-08005	35 - 1
B7N-83559-00	39 - 8	90101-08013	22 - 20	90110-06321	13 - 22		6 - 32	90185-10012	34 - 4	90249-03002	20 - 34
4P9-83591-00	44 - 2	90101-10034	34 - 3	90110-06388	5 - 16	90119-06267	45 - 6	90185-18009	22 - 36	90269-05005	6 - 8
5EB-83912-03	42 - 2	90101-10042	23 - 4		13 - 10	90119-06313	20 - 5	90185-24002	30 - 26	90269-05039	20 - 39
5JJ-83913-00	42 - 11	90105-06027	1 - 3		13 - 21	90119-09010	12 - 9	90201-04034	43 - 24		20 - 40
B7N-83922-00	33 - 11	90105-06066	7 - 3		37 - 12	90119-09013	12 - 8	90201-05036	39 - 6	90269-06001	20 - 43
4XV-83929-00	42 - 7	90105-06187	33 - 37	90110-06389	13 - 11	90119-09019	1 - 7	90201-06023	40 - 12		26 - 51
2C0-83945-00	42 - 3		33 - 40	90110-06390	8 - 7	90149-05029	29 - 4		40 - 15		40 - 7
5LV-83951-00	42 - 6	90105-06202	12 - 15	90110-06394	5 - 15		31 - 4	90201-06033	6 - 17	90269-06018	6 - 28
B7N-83969-00	42 - 12	90105-06230	43 - 4		13 - 12	90149-05037	1 - 18	90201-06062	41 - 4		6 - 35
1HP-83980-03	33 - 14	90105-07006	4 - 4	90110-06396	5 - 13		34 - 11	90201-06063	39 - 15		20 - 12
B7N-84300-00	40 - 1	90105-081A1	44 - 23		13 - 29	90149-06068	12 - 21	90201-06072	26 - 6		39 - 9
B7N-84301-00	40 - 8	90105-10030	22 - 24	90110-06431	12 - 27	90149-06086	16 - 16	90201-06778	45 - 8	90269-07007	22 - 12
B7N-8431R-00	44 - 28		22 - 38	90110-06432	7 - 4	90149-06104	22 - 15	90201-08052	22 - 22		22 - 17
5DM-84347-00	41 - 10	90105-10195	34 - 12	90110-06434	6 - 53		22 - 19	90201-08053	34 - 30	90269-07015	44 - 24
B7N-84527-00	44 - 31	90105-10211	22 - 31	90110-08071	34 - 45	90149-06158	17 - 10	90201-08066	35 - 2	90269-07076	20 - 16
B7N-84700-00	41 - 1	90105-10440	29 - 27		34 - 55	90149-06213	16 - 17	90201-08100	19 - 27	90269-09006	26 - 50
2PN-84745-01	41 - 9	90105-10452	34 - 58	90110-08126	19 - 22	90149-08030	14 - 4	90201-08103	18 - 34	90280-05029	2 - 10
5SL-84753-00	19 - 25	90105-10487	19 - 13	90110-08220	34 - 19	90149-10074	19 - 4	90201-087G2	11 - 8	90338-16262	12 - 6
4AG-85111-00	44 - 3	90105-10488	19 - 14		34 - 35	90149-10076	19 - 3	90201-10013	19 - 8	90340-14011	12 - 24
B7N-85112-00	44 - 5	90105-12101	2 - 11	90110-10043	19 - 9	90160-05012	20 - 38	90201-10029	15 - 23	90340-14132	8 - 4
B7N-85122-00	44 - 6	90109-06100	12 - 17	90111-05002	6 - 37	90160-05013	10 - 10	90201-10075	19 - 12	90340-18002	1 - 4
3Y6-85130-02	41 - 7	90109-061F7	1 - 8		6 - 39	90160-05017	39 - 5		34 - 5	90340-36008	13 - 2
B7N-85132-00	33 - 36	90109-06271	1 - 21		40 - 16		40 - 6	90201-10084	19 - 10	90387-05028	35 - 15
B7N-85490-00	40 - 5	90109-06293	1 - 10	90111-05006	41 - 11		40 - 9	90201-101J1	23 - 6	90387-05044	41 - 13
B7N-85542-00	45 - 7	90109-06336	20 - 46	90111-05007	26 - 47	90170-06228	18 - 24	90201-12008	2 - 12	90387-06057	26 - 53
B3L-85885-00	9 - 13		21 - 3	90111-05021	20 - 45	90170-08010	35 - 10	90201-12051	34 - 29	90387-060A7	20 - 6
5YU-85886-00	44 - 20		21 - 7		21 - 2	90176-05003	33 - 26	90201-12541	5 - 14	90387-060U2	20 - 15
2CR-85899-10	44 - 13	90109-06337	6 - 26		21 - 6	90176-06065	45 - 9	90201-12575	18 - 7	90387-06136	26 - 21
B7N-8591A-00	44 - 8		6 - 33	90111-05049	20 - 22	90176-28083	24 - 6	90201-127E1	18 - 3		39 - 16
B7N-8591A-20	44 - 8	90109-064G6	29 - 2	90111-06029	26 - 24	90179-05523	6 - 48	90201-177G4	18 - 12		41 - 3
1WS-8592A-10	11 - 2	90109-066F0	1 - 19	90111-06095	40 - 2	90179-06520	40 - 13	90201-18013	22 - 35	90387-06158	6 - 14
B7N-85930-09	45 - 1	90109-08045	31 - 2	90111-06098	18 - 21	90179-08410	11 - 5	90201-20008	16 - 36	90387-06205	10 - 15
B7N-8593A-00	43 - 22	90109-08170	11 - 7		18 - 29	90179-10247	19 - 15	90201-20030	15 - 16	90387-06266	26 - 5
B7N-85970-00	45 - 16	90109-08231	34 - 18	90111-06127	40 - 11	90179-20010	15 - 18	90201-25027	30 - 27	90387-06285	6 - 50
B7N-85980-00	45 - 22		34 - 25		40 - 14	90179-22019	30 - 30	90201-281U8	24 - 7	90387-06286	12 - 30

NUMERICAL INDEX

PART NO.	REF. NO.	PART NO.	REF. NO.	PART NO.	REF. NO.	PART NO.	REF. NO.	PART NO.	REF. NO.	PART NO.	REF. NO.
90387-062X0	22 - 11	90450-53007	10 - 14	90467-310A0	5 - 20	91401-25015	34 - 52	93210-46044	5 - 24	95602-10100	23 - 5
90387-06322	18 - 22	90450-58008	10 - 2		5 - 37	91402-25015	34 - 17	93210-61750	5 - 10	95602-10200	22 - 32
	18 - 31		10 - 4	90480-01558	26 - 55		34 - 24	93306-00106	5 - 5		24 - 13
90387-06351	6 - 24	90464-09023	32 - 11	90480-01559	20 - 47	91701-08040	34 - 16	93306-07208	28 - 3		30 - 20
	6 - 31	90464-10233	45 - 24		21 - 4		34 - 23	93306-07806	30 - 6	95607-04100	43 - 25
90387-06353	40 - 4	90464-13073	42 - 14		21 - 8	91702-08040	34 - 41	93306-20486	16 - 37	95607-06100	33 - 13
90387-06372	20 - 25		44 - 22	90480-10003	20 - 48		34 - 51	93306-20487	16 - 14		45 - 11
	22 - 14	90464-13077	18 - 26		40 - 3	91808-16023	1 - 5	93306-20531	30 - 4	95607-06200	42 - 4
90387-065L7	45 - 5	90464-14010	18 - 36	90480-12314	10 - 16	92012-05030	6 - 55		30 - 15	95607-10200	22 - 25
90387-07717	6 - 7	90464-14013	33 - 32	90480-13010	7 - 7	92012-06012	20 - 20	93306-20663	16 - 19		22 - 39
	20 - 2		45 - 21	90480-13018	12 - 31	92012-06025	22 - 10	93306-30534	16 - 3	95612-08625	1 - 6
90387-08124	34 - 43	90464-16003	6 - 20	90480-13203	6 - 49	92012-06030	41 - 5	93310-33277	15 - 19	95702-06500	26 - 23
	34 - 53		35 - 23	90480-13567	26 - 58	92012-06035	26 - 7	93315-21570	15 - 29		27 - 7
90387-08125	41 - 12		43 - 13	90480-14003	26 - 54		45 - 15	93315-31758	22 - 7		44 - 4
90387-10020	34 - 6		45 - 18	90480-14017	41 - 14	92014-06014	33 - 25		22 - 27	95707-05500	35 - 21
90387-10043	22 - 33	90464-18002	33 - 31	90480-14035	20 - 7		45 - 23		23 - 2	95812-06040	12 - 12
90387-10125	22 - 37	90464-18013	35 - 26	90480-14102	39 - 17	92014-08025	35 - 4	93317-11096	15 - 31	95812-06050	12 - 13
90387-1012A	22 - 6	90464-20009	22 - 30		41 - 2	92017-06010	44 - 27	93317-11295	18 - 16	95812-06065	12 - 14
	22 - 29	90464-20010	35 - 19	90480-14229	45 - 4	92017-06014	45 - 17	93317-330A0	22 - 3	95812-08035	11 - 6
90387-22006	16 - 9	90464-25009	18 - 35	90480-15363	6 - 13		45 - 20	93317-330A1	22 - 4	95812-08060	12 - 16
90387-22016	28 - 8		43 - 14	90480-18008	26 - 4	92017-08012	13 - 4	93399-99932	24 - 1	95822-06008	45 - 2
90387-22037	22 - 2	90464-65001	11 - 3	90501-080A2	17 - 7	92902-04600	43 - 23	93399-99957	25 - 40	95822-06025	5 - 22
90387-25040	16 - 4	90465-06M90	13 - 30	90501-12743	34 - 38	92907-08600	15 - 32	93430-02001	20 - 36	95D02-06012	34 - 31
	16 - 33	90465-10098	38 - 5		34 - 48	93101-12173	5 - 6	93440-25186	16 - 7	95D32-06012	6 - 12
90387-28029	30 - 22		43 - 15	90506-18022	34 - 32	93102-12106	18 - 5	93440-31187	16 - 25	95D32-06016	20 - 14
90387-28030	16 - 27		43 - 16	90506-26014	34 - 7	93102-15212	15 - 28	93440-64199	16 - 21	95D37-06020	43 - 18
90387-28031	30 - 8	90467-08075	6 - 44	90508-09007	20 - 35	93102-40030	16 - 35	93450-18157	2 - 9	95D37-10025	19 - 11
90387-30012	16 - 20		6 - 52	90508-18051	15 - 22	93106-28043	28 - 4	93501-04011	34 - 39	95E32-06016	27 - 11
90387-31004	16 - 22	90467-090A2	9 - 30	90508-18134	34 - 15	93106-35042	30 - 7		34 - 49	95E32-06025	26 - 9
90401-10042	33 - 29		26 - 26	90508-18135	34 - 22	93106-40013	30 - 5	93607-44002	4 - 11	95E37-06014	26 - 8
90401-10172	33 - 28		26 - 30	90508-32141	18 - 9		30 - 16	93610-20189	13 - 20	97602-04312	33 - 15
	35 - 27		26 - 34	90520-01002	35 - 22	93109-17071	22 - 8	93900-00030	28 - 6	97707-50016	26 - 41
90401-20012	8 - 1	90467-09103	9 - 29	90520-06009	20 - 19		22 - 28		30 - 11	98507-04010	42 - 10
90413-06031	9 - 27		26 - 35	90520-07002	26 - 45		23 - 3	94112-17146	28 - 5	98704-03020	42 - 9
90430-06014	5 - 12	90467-10039	6 - 19	91312-05010	26 - 12	93210-04092	12 - 3	94118-17093	30 - 10	99001-07600	15 - 33
90430-08143	13 - 5		6 - 21	91312-06016	43 - 12	93210-06667	7 - 12	94581-79066	7 - 10	99002-10600	18 - 6
90430-10004	44 - 1	90467-10041	26 - 32	91312-06020	18 - 15	93210-07540	12 - 11	94591-78128	4 - 5	99009-10400	15 - 24
90430-10005	33 - 30	90467-100A1	9 - 22	91312-06025	4 - 8	93210-12790	12 - 7	94682-5502R	30 - 2	99009-12400	5 - 9
	35 - 28		9 - 26	91314-08025	24 - 11	93210-13657	12 - 20	94701-00446	1 - 9	99009-17400	18 - 13
90430-10148	44 - 17	90467-12085	33 - 22	91314-08030	24 - 9	93210-14369	12 - 25	94A40-17110	30 - 1	99247-00080	20 - 49
90445-10007	9 - 25		35 - 17		25 - 41	93210-15620	33 - 4	95022-06045	33 - 39	99530-08012	13 - 9
90445-10066	9 - 23	90467-13083	10 - 18	91314-08040	25 - 19	93210-16325	12 - 23	95027-06016	44 - 30	99530-10014	12 - 5
90445-10638	9 - 24	90467-15001	10 - 24	91314-10050	19 - 7	93210-17008	44 - 14	95027-06020	42 - 5	99530-12016	1 - 23
90445-197J2	34 - 8	90467-17003	10 - 22	91317-04030	43 - 28	93210-19123	13 - 26	95027-06045	45 - 10		
90450-32003	5 - 33	90467-200A0	5 - 28	91317-06035	32 - 4	93210-22001	7 - 6	95302-08600	22 - 21		
	5 - 36		5 - 31	91342-06030	6 - 16	93210-28543	13 - 8	95304-06700	18 - 27		
90450-38040	5 - 19	90467-21068	5 - 27	91401-20012	35 - 3	93210-30694	5 - 17	95602-05200	41 - 8		
	5 - 34	90467-22002	5 - 30	91401-25015	34 - 42	93210-357A3	13 - 3	95602-06200	20 - 41		