



PARTS CATALOGUE



MDBNM4



MDPBM5

GPD155 (**BBM3**) MALAYSIA

GPD155
PARTS CATALOGUE
©2022 by Yamaha Motor Co., Ltd.
1st edition, April 2022
All rights reserved.
Any reprinting or unauthorized use
without the written permission of
Yamaha Motor Co., Ltd.
is expressly prohibited.
Printed in Japan.

FOREWORD

This Parts Catalogue is related to the parts for the model(s) on the cover page. When you are ordering replacement parts, please refer to this Parts Catalogue and quote both part numbers and part names correctly.

1. Modifications or additions which have been made after the issue of the Parts Catalogue will be announced in the Parts News.
It is advisable that you make the necessary corrections to the Parts Catalogue according to the Parts News.

2. Abbreviations

The following abbreviations are used in this Parts Catalogue.

“UR” Use specified parts number.

“UN” Use as many as needed.

“AP” Alternate Parts

“LM” Locally Made (Parts need to be ordered locally)

“F#” Frame No. (Applicable machine No.)

“O/S” Over Size

3. The number of components for assembly

- Parts, which are to be supplied in an assembly, are listed with a dot (.) in front of the part name as shown below.
- The numeral appearing to the right of each component part indicates the quantity of parts for each assembly unit.

PART NO.	DESCRIPTION	Q'TY	REMARKS
2F5-83310-60	FRONT FLASHER LIGHT ASSY	2	
115-83311-60	.BULB (6V-18W)	1	

4. Applicable colours of graphics are represented in the “REMARKS” as shown below.

PART NO.	DESCRIPTION	Q'TY	REMARKS
2N4-24110-00-X5	FUEL TANK COMP.	2	MXR
3J1-24240-10	.GRAPHIC, FUEL TANK	1	FOR MXR

5. Note that the illustrations for reference in finding parts numbers are not to be used for assembling. When assembling, please use the applicable service manual.

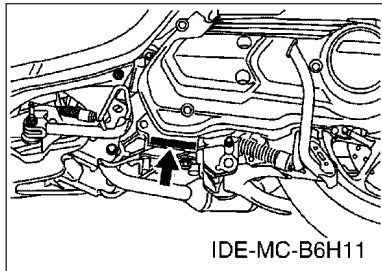
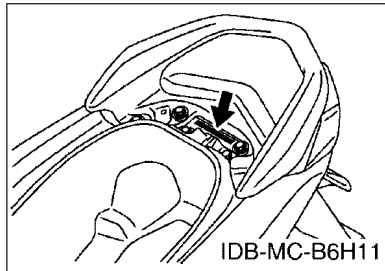
6. The asterisk (*) before a reference number indicates modified items after the first edition.

FOREWORD

7. Applicable Serial No.

Frame Serial No.

Engine Serial No.



8. Applicable Colour Code (The (*) mark shows Model colour.)

Abbreviation	Colour Name	Colour Code
MDBNM4(*)	MAT DARK BLUISH GRAY ME 4	1847
MDPBM5(*)	MAT DARK PURPLISH BLUE ME 5	1774
MNM3	MAT GRAY METALLIC 3	1278
MNYM3	MAT GRAYISH YELLOW METALLIC 3	1831
SM12	BLACK METALLIC 12	1723
YB	YAMAHA BLACK	0033

9. Applicable Starting Serial No.

Frame Serial No.

Serial No.	Name Of Q'ty Column	Model Code

Engine Serial No.

Serial No.	Name Of Q'ty Column	Model Code

CONTENTS

ENGINE

CYLINDER.....	1
CRANKSHAFT & PISTON.....	3
VALVE.....	4
CAMSHAFT & CHAIN.....	5
WATER PUMP.....	6
RADIATOR & HOSE.....	7
OIL PUMP.....	9
INTAKE.....	10
EXHAUST.....	12
CRANKCASE.....	13
CRANKCASE COVER 1.....	15
CLUTCH.....	16
TRANSMISSION.....	18

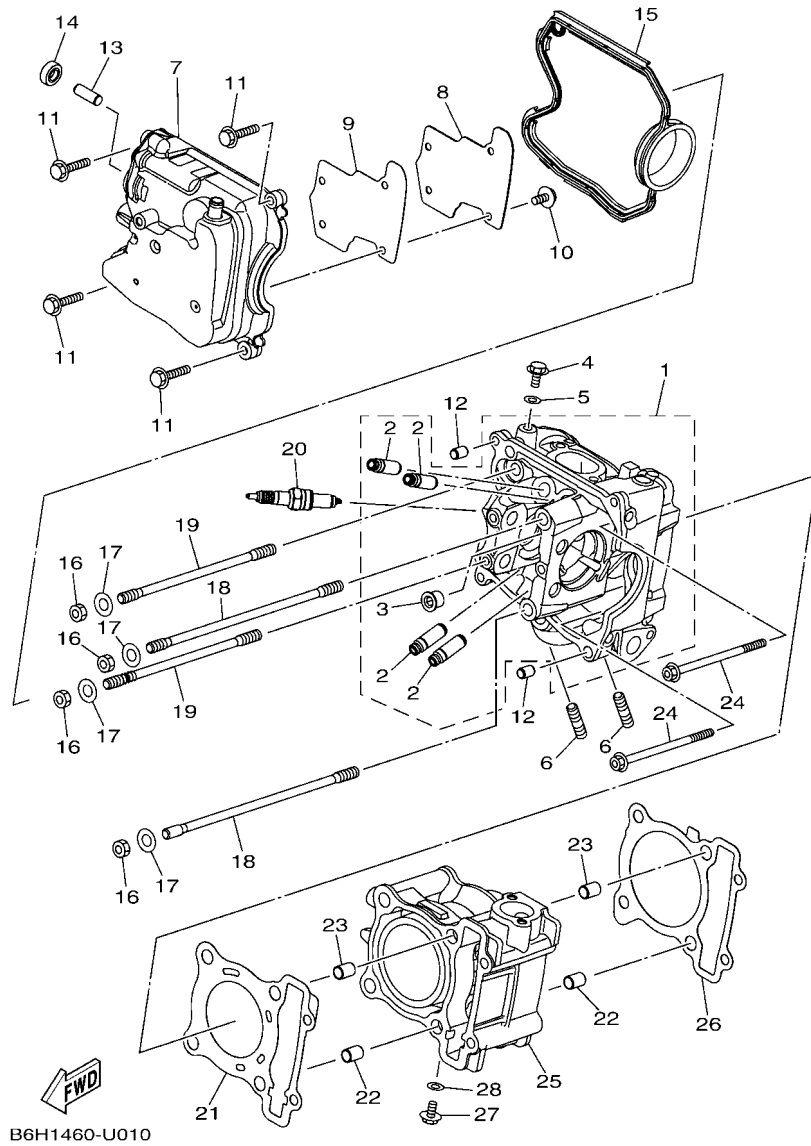
CHASSIS

FRAME.....	19
FENDER.....	20
SIDE COVER.....	21
REAR ARM & SUSPENSION.....	23
STEERING.....	24
FUEL TANK.....	26
SEAT.....	27
FRONT WHEEL.....	29
FRONT BRAKE CALIPER.....	30
REAR WHEEL.....	31
REAR BRAKE CALIPER.....	32
STEERING HANDLE & CABLE.....	33
FRONT MASTER CYLINDER.....	34
STAND & FOOTREST.....	36
LEG SHIELD.....	39
WINDSHIELD.....	42
GENERATOR.....	43
FLASHER LIGHT.....	44
METER.....	45
HEADLIGHT.....	46
TAILLIGHT.....	47
HANDLE SWITCH & LEVER.....	48
ELECTRICAL 1.....	49
ELECTRICAL 2.....	50

ELECTRICAL 3.....	51
-------------------	----

INDEX

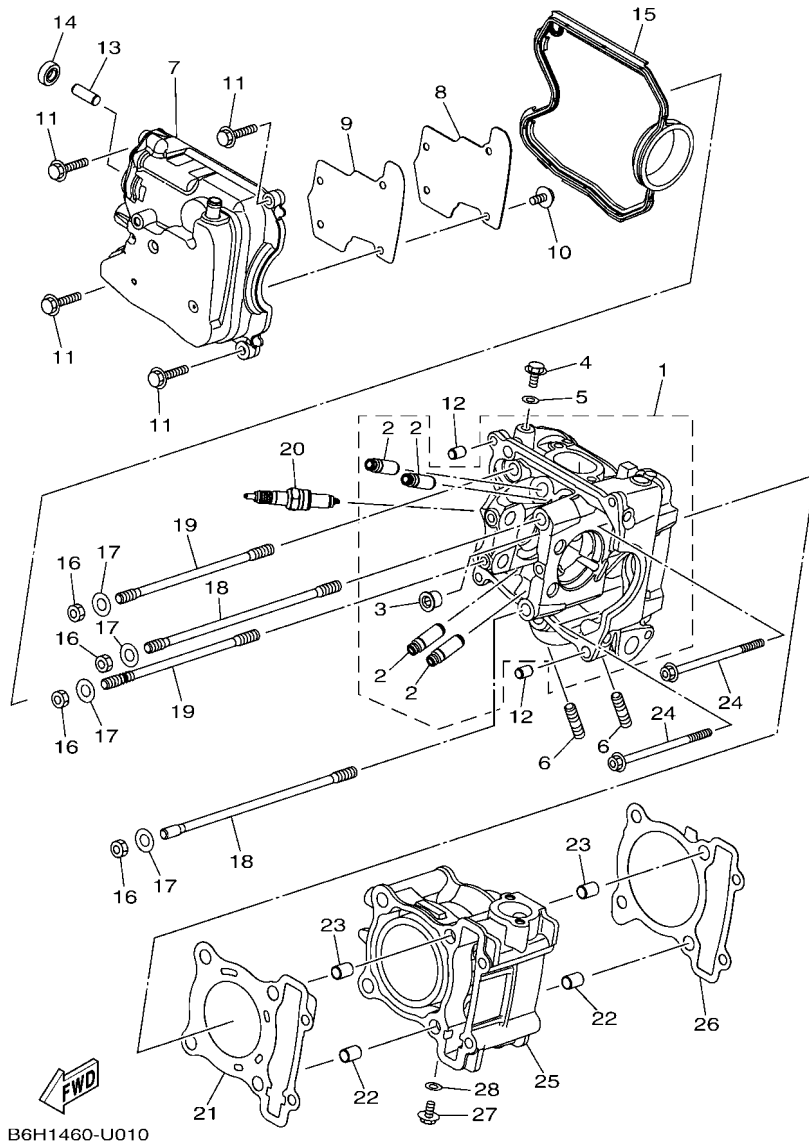
NUMERICAL INDEX.....	52
----------------------	----



B6H1460-U010

FIG. 1 CYLINDER

REF. NO.	PART NO.	DESCRIPTION	BBM3				REMARKS
1	B6H-E1102-00	CYLINDER HEAD ASSY	1				
2	2DP-E1133-10	.GUIDE, VALVE 1	4				
3	90340-12813	.PLUG, STRAIGHT SCREW	1				
4	95E32-06010	BOLT, FLANGE DEEP RECESS	1				
5	90430-06803	GASKET	1				
6	95612-08618	BOLT, STUD	2				
7	2DP-E1191-00	COVER, CYLINDER HEAD 1	1				
8	2DP-E1165-00	PLATE, BREATHER	1				
9	2DP-E1169-00	GASKET, BREATHER COVER	1				
10	90149-05801	SCREW	4				
11	95E32-06030	BOLT, FLANGE DEEP RECESS	4				
12	99530-08012	PIN, DOWEL	2				
13	2DP-E132G-00	ROD 1	1				
14	93102-08800	OIL SEAL	1				
15	B3F-E1193-00	GASKET, HEAD COVER 1	1				
16	95332-08600	NUT	4				
17	90201-08859	WASHER, PLATE	4				
18	2DP-E1391-00	BOLT, STUD 1	2				
19	2DP-E1392-00	BOLT, STUD 2	2				
20	94700-00415	PLUG, SPARK (NGK CPR8EA)	1				
21	2DP-E1181-00	GASKET, CYLINDER HEAD 1	1				
22	99530-10114	PIN, DOWEL	2				
23	99530-10114	PIN, DOWEL	2				
24	90110-06378	BOLT, HEXAGON SOCKET HEAD	2				
25	B6H-E1311-00	CYLINDER 1	1				
26	B6H-E1351-00	GASKET, CYLINDER	1				
27	95E32-06010	BOLT, FLANGE DEEP RECESS	1				

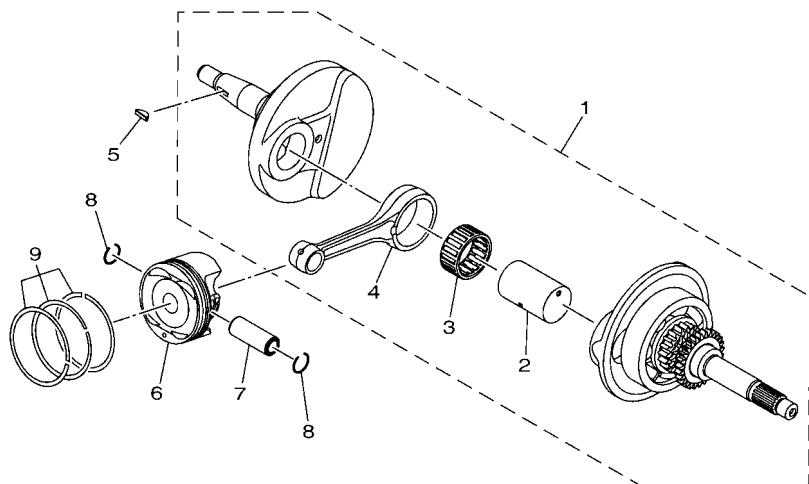


B6H1460-U010

FIG. 1 CYLINDER

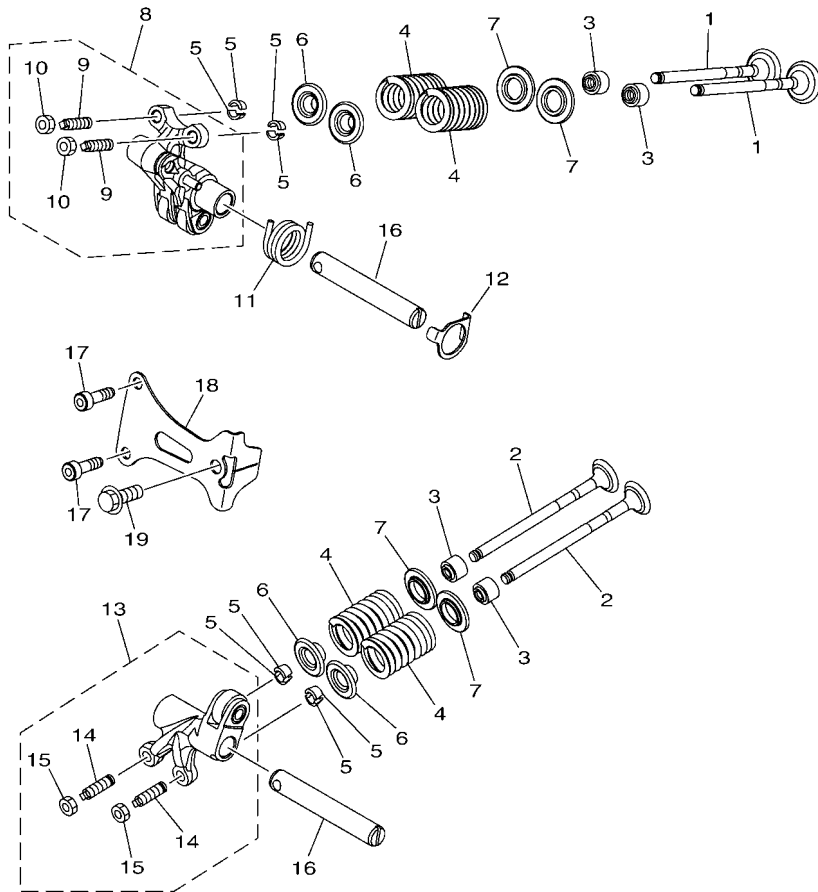
REF. NO.	PART NO.	DESCRIPTION	BBM3				REMARKS
28	90430-06803	GASKET	1				

FIG. 2 CRANKSHAFT & PISTON



REF. NO.	PART NO.	DESCRIPTION	BBM3				REMARKS
1	B6H-E1400-20	CRANKSHAFT ASSY	1				UR EITHER CAN USE
	B6H-E1400-40	CRANKSHAFT ASSY	1				UR EITHER CAN USE
2	B63-E1681-00	.PIN, CRANK 1	1				
3	93310-528YK	.BEARING	1				
4	B6H-E1651-00	.ROD, CONNECTING	1				UR EITHER CAN USE
	2DP-E1651-00	.ROD, CONNECTING	1				UR EITHER CAN USE
5	90280-03017	KEY, WOODRUFF	1				
6	BK6-E1631-00	PISTON (STD)	1				
7	2DP-E1633-00	PIN, PISTON	1				
8	93450-16115	CIRCLIP	2				
9	B63-E1603-00	PISTON RING SET (STD)	1				


 B6H1460-U020

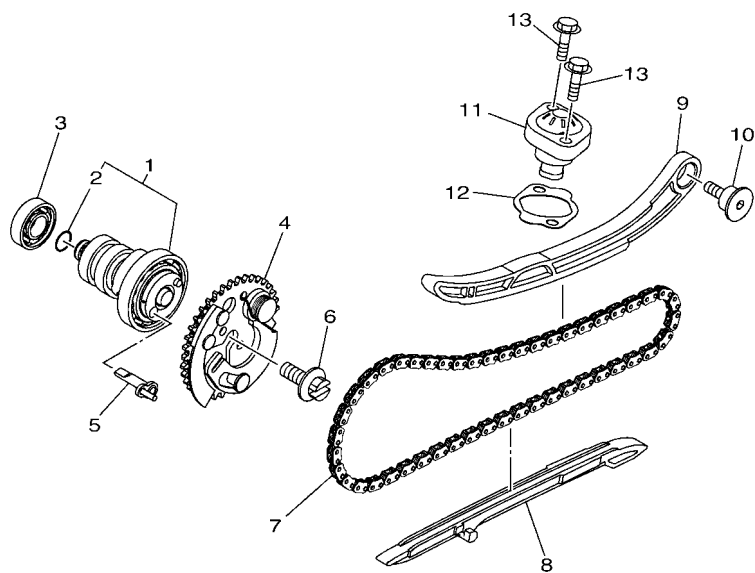



 2DP6460-S030

FIG. 3 VALVE

REF. NO.	PART NO.	DESCRIPTION	BBM3				REMARKS
1	BK6-E2111-00	VALVE, INTAKE	2				
2	B3F-E2121-00	VALVE, EXHAUST	2				
3	54P-E2119-00	SEAL, VALVE STEM	4				
4	BB8-E2113-01	SPRING, VALVE INNER	4				
5	5TL-E2118-00	LOCK, VALVE SPRING RETAINER	8				
6	2DP-E2117-00	RETAINER, VALVE SPRING	4				UR EITHER CAN USE
	BBP-E2117-00	RETAINER, VALVE SPRING	4				UR EITHER CAN USE
7	50C-E2126-00	SEAT, VALVE SPRING 2	4				
8	2DP-E2150-01	VALVE ROCKER ARM ASSY	1				
9	33S-E2159-01	.SCREW, VALVE ADJUSTING	2				
10	90170-05803	.NUT	2				
11	BB8-E2226-00	SPRING, COIL	1				
12	2DP-E2279-00	PLATE	1				UR EITHER CAN USE
	B63-E2279-00	PLATE	1				UR EITHER CAN USE
13	B6H-E2160-01	VALVE ROCKER ARM ASSY 2	1				
14	33S-E2159-01	.SCREW, VALVE ADJUSTING	2				
15	90170-05803	.NUT	2				
16	B65-E2156-00	SHAFT, ROCKER 2	2				
17	91312-05016	BOLT, HEXAGON SOCKET HEAD	2				
18	2DP-E111F-00	PLATE	1				UR EITHER CAN USE
	B63-E111F-00	PLATE	1				UR EITHER CAN USE
19	95E32-06014	BOLT, FLANGE DEEP RECESS	1				

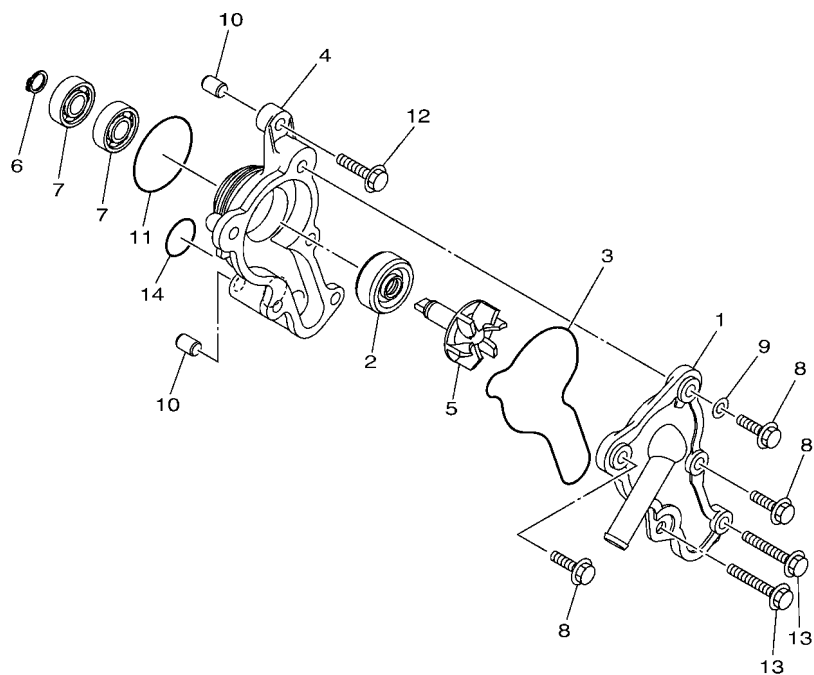
FIG. 4 CAMSHAFT & CHAIN




BBD5300-X040

REF. NO.	PART NO.	DESCRIPTION	BBM3	REMARKS
1	B6H-E2170-00	CAMSHAFT ASSY 1	1	
2	93210-09806	.O-RING	1	
3	93306-001YG	BEARING	1	
4	B6H-E2280-10	DECOMPRESSION ASSY	1	
5	B6H-E2288-01	CAM, DECOMPRESSION	1	UR EITHER CAN USE
	2DP-E2288-00	CAM, DECOMPRESSION	1	UR EITHER CAN USE
6	5YP-E2157-01	BOLT	1	UR EITHER CAN USE
	B63-E2157-00	BOLT	1	UR EITHER CAN USE
7	94568-F9096	CHAIN (DID SCR-0404 SV)	1	
8	B65-E2231-00	GUIDE, STOPPER 1	1	
9	B6H-E2241-00	GUIDE, STOPPER 2	1	
10	1DB-E2228-00	BOLT	1	
11	2PV-E2210-01	TENSIONER ASSY, CAM CHAIN	1	
12	B6H-E2213-00	GASKET, TENSIONER CASE	1	
13	95E32-06020	BOLT, FLANGE DEEP RECESS	2	

FIG. 5 WATER PUMP



REF. NO.	PART NO.	DESCRIPTION	BBM3				REMARKS
1	B6H-E2422-00	COVER, HOUSING	1				
2	B6H-E2223-00	SEAL	1				
3	B6H-E2439-00	O-RING	1				
4	B6H-E1185-00	COVER, CYLINDER HEAD SIDE 3	1				
5	B6H-E2450-00	IMPELLER SHAFT ASSY	1				
6	99009-08400	CIRCLIP	1				
7	93300-608X0	BEARING	2				
8	95027-06020	BOLT, FLANGE	3				
9	90430-06803	GASKET	1				
10	99530-08012	PIN, DOWEL	2				
11	93210-39803	O-RING	1				
12	95E32-06025	BOLT, FLANGE DEEP RECESS	1				
13	95E32-06045	BOLT, FLANGE DEEP RECESS	2				
14	93210-19809	O-RING	1				

 B6H1460-U050

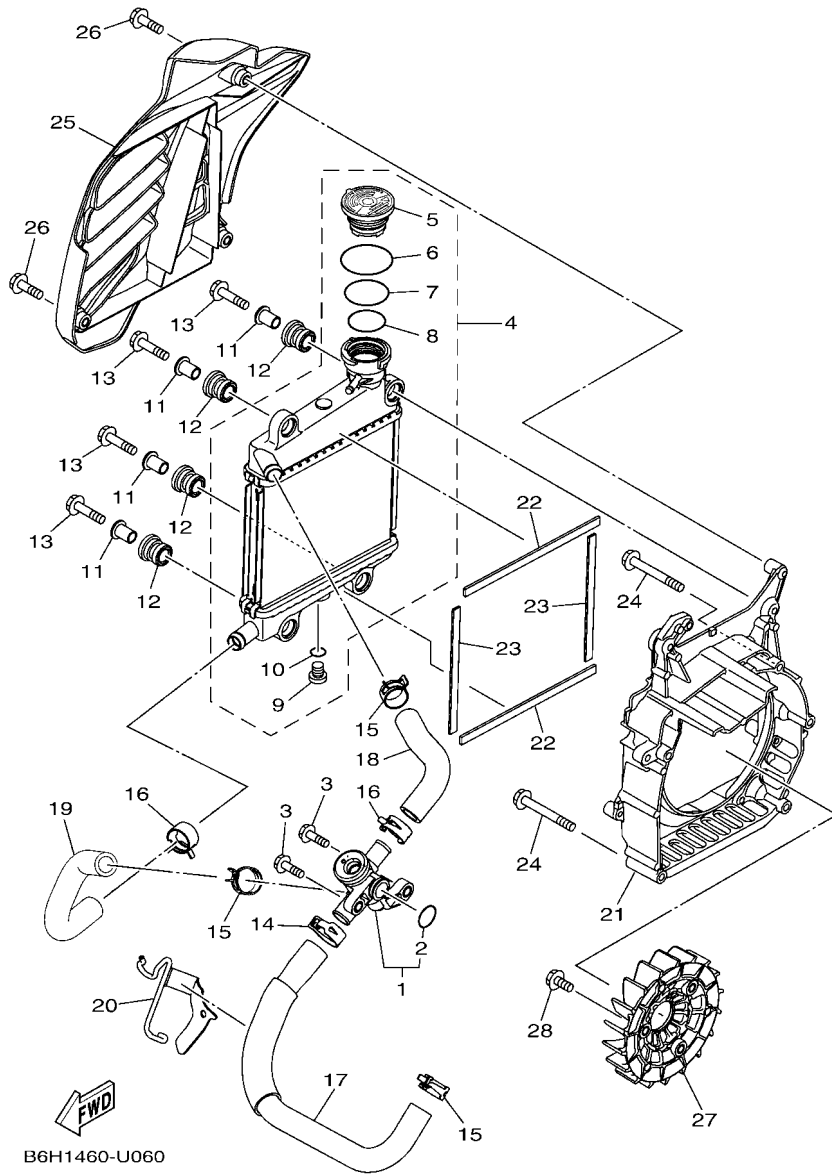
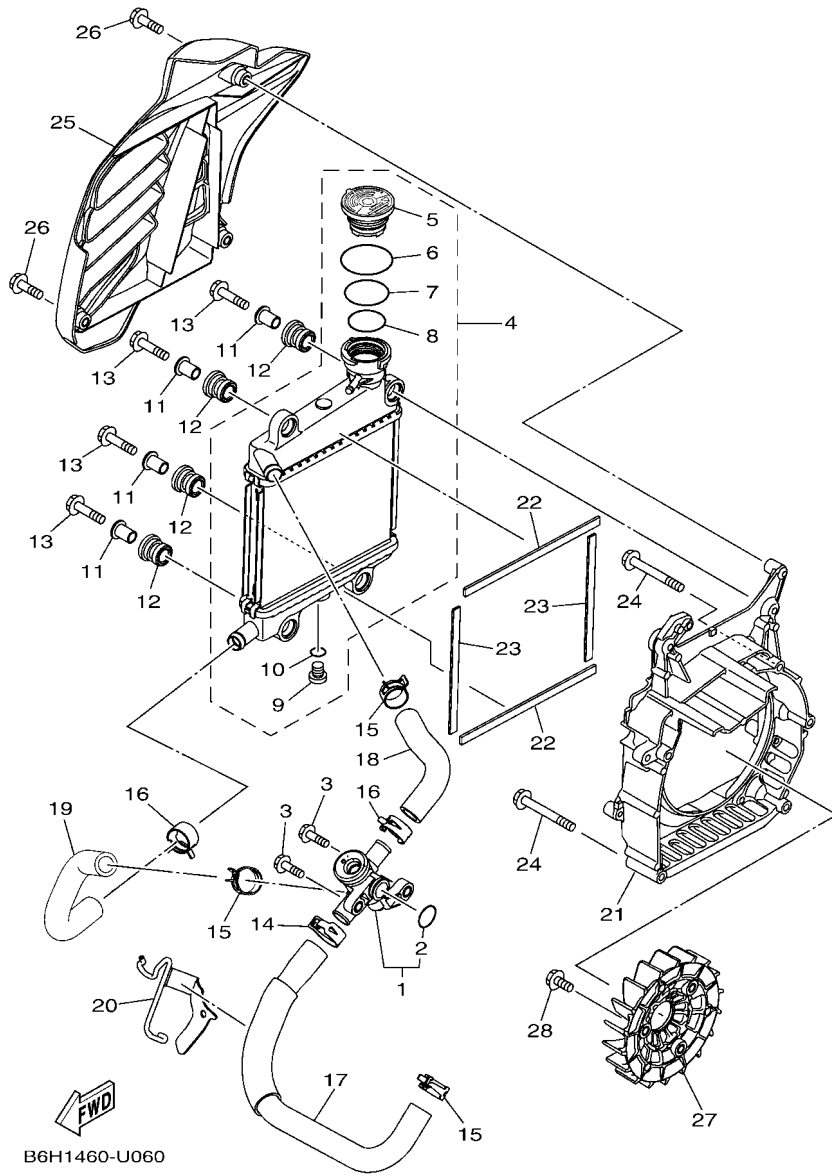


FIG. 6 RADIATOR & HOSE

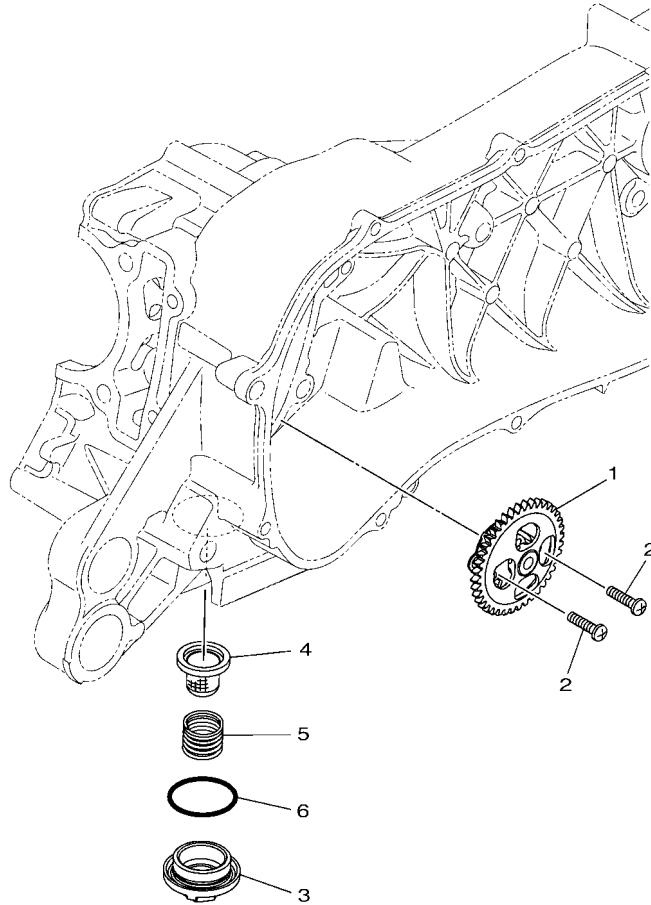
REF. NO.	PART NO.	DESCRIPTION	BBM3				REMARKS
1	2DP-E2410-00	THERMOSTAT ASSY	1				
2	52S-12439-00	.O-RING	1				
3	95E32-06020	BOLT, FLANGE DEEP RECESS	2				
4	B6H-E240A-01	RADIATOR ASSY	1				
5	B65-E2462-02	.CAP, RADIATOR	1				
6	B63-E22A2-00	.O-RING	1				
7	B63-E2439-00	.O-RING	1				
8	B63-E2843-00	.O-RING	1				
9	5ST-E2615-00	.COCK, DRAIN	1				
10	5ST-E2843-00	.O-RING	1				
11	90387-08823	COLLAR	4				
12	90480-14833	GROMMET	4				
13	95D32-06030	BOLT, FLANGE DEEP RECESS	4				
14	90467-20806	CLIP	1				
15	90467-19803	CLIP	3				
16	90467-19803	CLIP	2				
17	B6H-E2481-10	PIPE 1	1				
18	B6H-E2482-00	PIPE 2	1				
19	B6H-E2483-00	PIPE 3	1				
20	B6H-E2491-00	CLAMP 1	1				
21	B6H-E2621-01	CASE, FAN	1				
22	90520-10853	DAMPER, PLATE	2				
23	90520-10855	DAMPER, PLATE	2				
24	95E32-06050	BOLT, FLANGE DEEP RECESS	5				
25	B6H-E2467-00	COVER, RADIATOR	1				
26	95E32-06020	BOLT, FLANGE DEEP RECESS	3				
27	B65-E2611-00	FAN	1				

FIG. 6 RADIATOR & HOSE



REF. NO.	PART NO.	DESCRIPTION	BBM3				REMARKS
28	95D32-06016	BOLT, FLANGE DEEP RECESS	3				

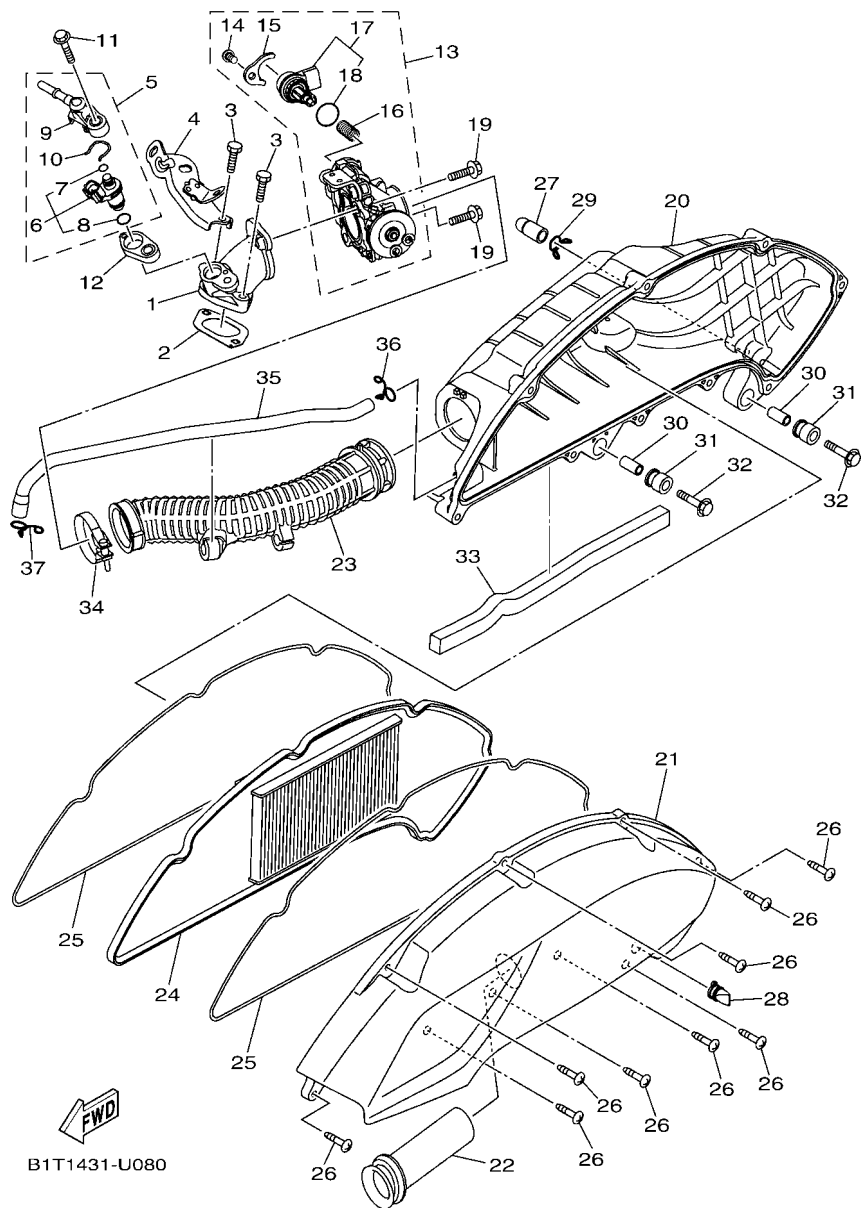
FIG. 7 OIL PUMP



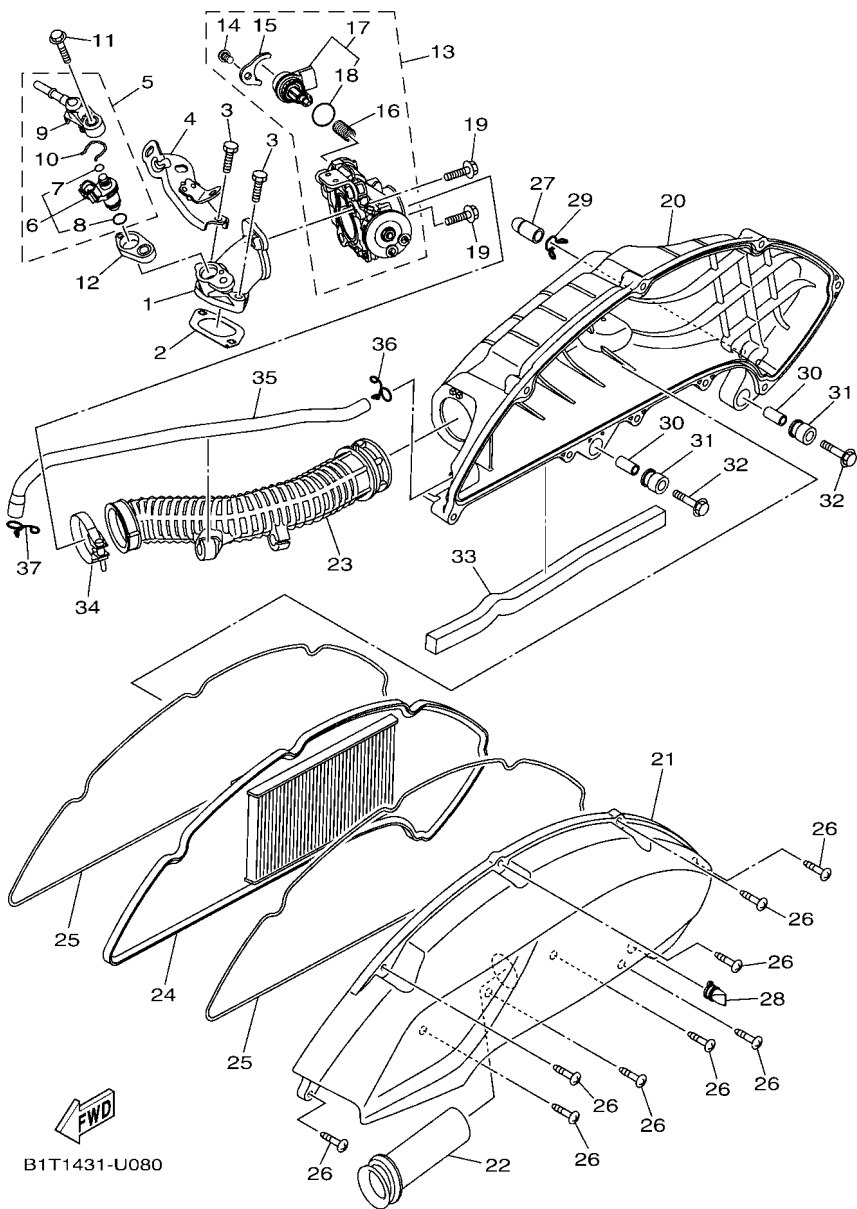
REF. NO.	PART NO.	DESCRIPTION	BBM3				REMARKS
1	B6H-E3300-01	OIL PUMP ASSY	1				
2	98502-05020	SCREW, PAN HEAD	2				
3	54P-E5351-01	PLUG, DRAIN	1				
4	54P-E3411-00	STRAINER, OIL	1				
5	90501-16004	SPRING, COMPRESSION	1				
6	93210-29800	O-RING	1				


B6H1460-U070

FIG. 8 INTAKE



REF. NO.	PART NO.	DESCRIPTION	BBM3				REMARKS
1	B6H-E3585-00	MANIFOLD	1				
2	B6H-E4199-00	GASKET	1				
3	91332-06025	BOLT	2				
4	B6H-E4146-00	PLATE	1				
5	BB8-E3770-10	INJECTOR ASSY	1				
6	BB8-E3761-10	.INJECTOR	1				
7	54P-E4147-00	.O-RING	1				
8	5CA-E4147-00	.O-RING	1				
9	54P-E3938-00	.PIPE	1				
10	54P-E4137-00	.CLIP	1				
11	95D32-06030	BOLT, FLANGE DEEP RECESS	1				
12	2DP-E3556-00	GASKET, MANIFOLD	1				
13	B65-E3750-10	THROTTLE BODY ASSY	1				
14	98502-06012	.SCREW, PAN HEAD	1				
15	54P-E4243-00	.PLATE	1				
16	54P-E4335-00	.SPRING, PLUNGER	1				
17	B63-H5801-00	.STEPPING MOTOR	1				
18	54P-E416A-00	.O-RING	1				
19	90110-06846	BOLT, HEXAGON SOCKET HEAD	2				
20	B6H-E4411-10	CASE, AIR CLEANER 1	1				
21	B6H-E4412-10	CAP, CLEANER CASE 1	1				
22	B6H-E4437-00	DUCT	1				
23	B6H-E4453-00	JOINT, AIR CLEANER 1	1				
24	B6H-E4451-00	ELEMENT, AIR CLEANER	1				
25	B6H-E4452-10	SEAL	2				
26	97707-50025	SCREW, TAPPING	9				
27	5TL-E443E-00	PIPE, DRAIN	1				

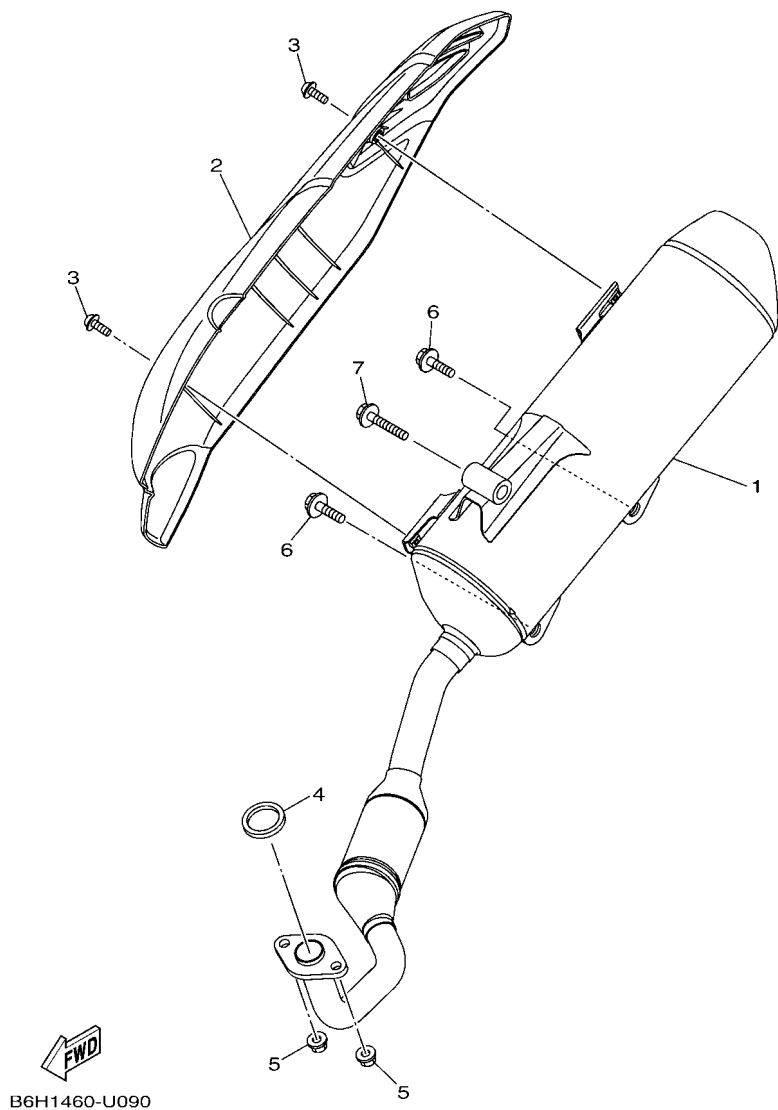


B1T1431-U080

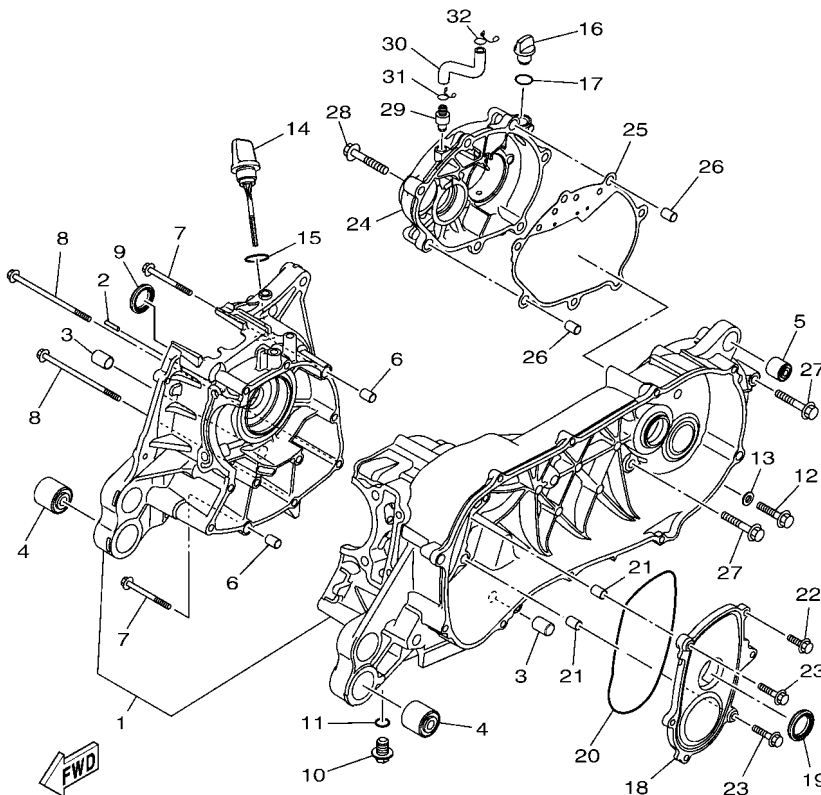
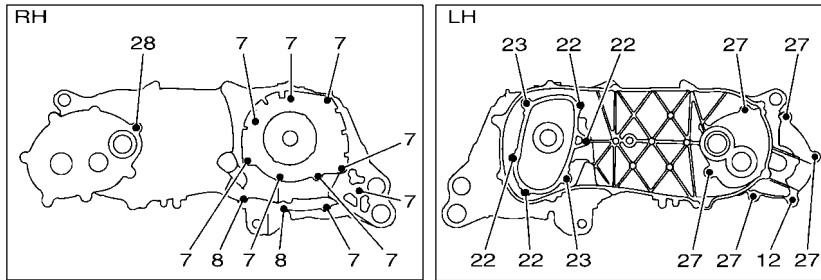
FIG. 8 INTAKE

REF. NO.	PART NO.	DESCRIPTION	BBM3			REMARKS
28	B5D-E443G-00	PIPE, DRAIN 2	1			
29	90467-12809	CLIP	1			
30	B74-E4449-00	COLLAR	2			
31	B6H-E4435-00	GROMMET	2			
32	95D32-06030	BOLT, FLANGE DEEP RECESS	2			
33	90520-15816	DAMPER, PLATE	1			
34	90450-43805	HOSE CLAMP ASSY	1			
35	B6H-E1166-00	PIPE, BREATHER 1	1			
36	90467-11825	CLIP	1			
37	90467-12052	CLIP	1			

FIG. 9 EXHAUST



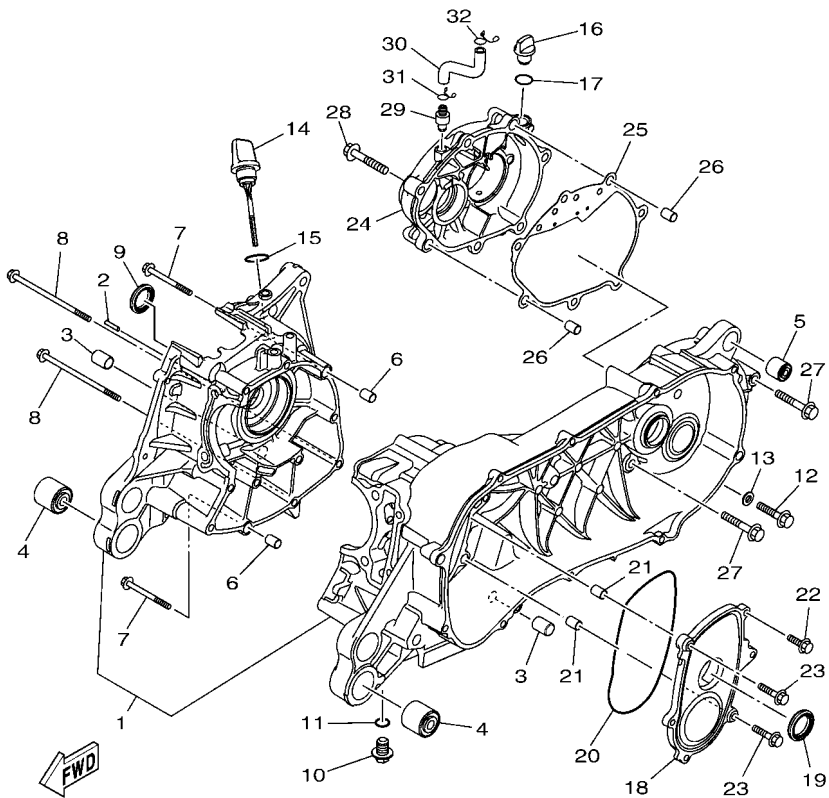
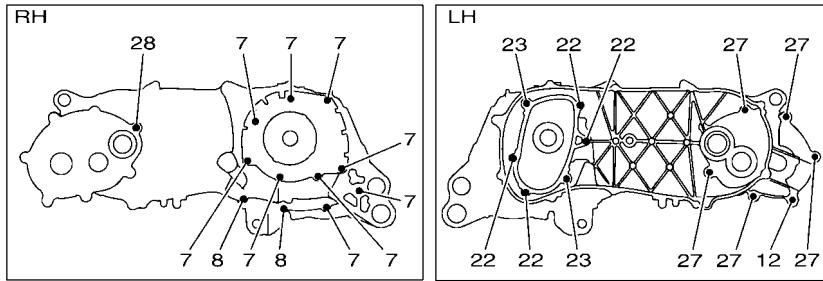
REF. NO.	PART NO.	DESCRIPTION	BBM3	REMARKS
1	B1T-E4711-10	MUFFLER 1	1	
2	B6H-E4718-00	PROTECTOR, MUFFLER 1	1	
3	90111-06860	BOLT,HEX. SOCKET BUTTON	2	
4	BK7-E4613-00	GASKET, EXHAUST PIPE	1	UR EITHER CAN USE
	2DP-E4613-00	GASKET, EXHAUST PIPE	1	UR EITHER CAN USE
5	95702-08500	NUT, FLANGE	2	
6	95D32-10045	BOLT, FLANGE DEEP RECESS	2	
7	95D32-10060	BOLT, FLANGE DEEP RECESS	1	



B6H1460-U100

FIG. 10 CRANKCASE

REF. NO.	PART NO.	DESCRIPTION	BBM3	REMARKS
1	B6H-E5150-00	CRANKCASE ASSY	1	
2	99480-03012	PIN	1	
3	54P-F7121-00	BUSH	2	
4	90388-10808	DAMPER	2	
5	90388-08803	DAMPER	1	
6	99530-10114	PIN, DOWEL	2	
7	95E32-06060	BOLT, FLANGE DEEP RECESS	9	
8	95E32-06110	BOLT, FLANGE DEEP RECESS	2	
9	93102-22829	OIL SEAL	1	
10	90340-12816	PLUG, STRAIGHT SCREW	1	
11	90430-12803	GASKET	1	
12	95D32-08035	BOLT, FLANGE DEEP RECESS	1	
13	90430-08804	GASKET	1	
14	2DP-E5362-00	PLUG, OIL LEVEL	1	
15	5LW-E3769-00	O-RING	1	
16	5LW-E5363-00	PLUG, OIL	1	
17	93210-14816	O-RING	1	
18	B65-E5423-01	COVER 2	1	
19	93102-24802	OIL SEAL	1	
20	93211-28800	O-RING	1	
21	99530-10114	PIN, DOWEL	2	
22	95E32-06020	BOLT, FLANGE DEEP RECESS	4	
23	95E32-06030	BOLT, FLANGE DEEP RECESS	2	
24	B6H-E5421-00	COVER, CRANKCASE 2	1	
25	B6H-E5461-10	GASKET, CRANKCASE COVER 2	1	
26	99530-10114	PIN, DOWEL	2	
27	95E32-08045	BOLT, FLANGE DEEP RECESS	5	

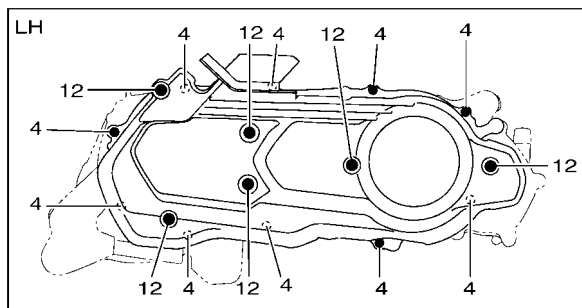
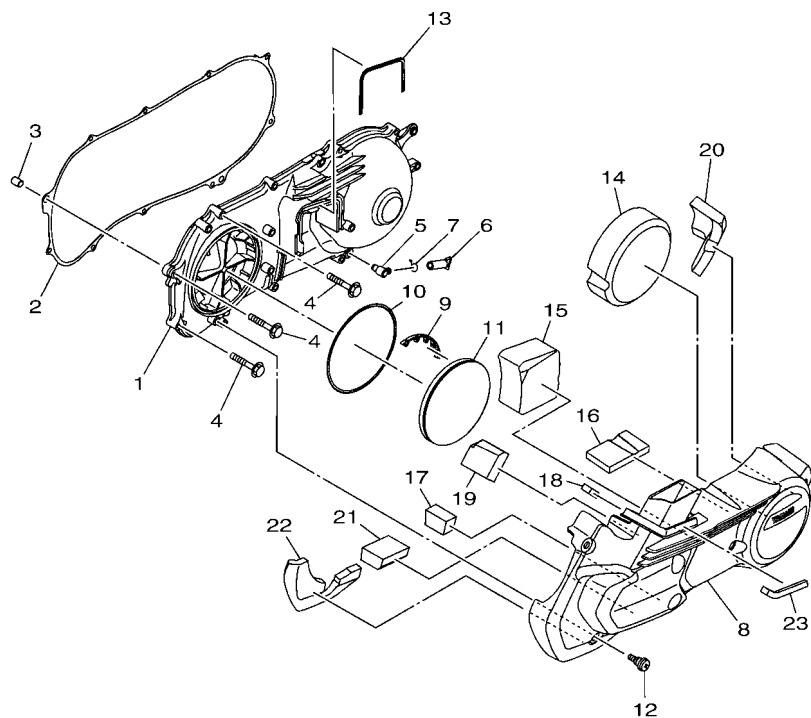


B6H1460-U100

FIG. 10 CRANKCASE

REF. NO.	PART NO.	DESCRIPTION	BBM3				REMARKS
28	95E32-08035	BOLT, FLANGE DEEP RECESS	1				
29	B6H-E5371-00	BREATHER	1				
30	B6H-E5373-00	PIPE, BREATHER	1				
31	90467-10008	CLIP	1				
32	90467-11825	CLIP	1				

FIG. 11 CRANKCASE COVER 1



B6H1460-U110

REF. NO.	PART NO.	DESCRIPTION	BBM3	REMARKS
1	B6H-E5411-01	COVER, CRANKCASE 1	1	
2	B6H-E5451-00	GASKET, CRANKCASE COVER 1	1	
3	99530-10114	PIN, DOWEL	1	
4	95E32-06035	BOLT, FLANGE DEEP RECESS	10	
5	5LW-E5371-01	BREATHER	1	
6	4ST-E443E-00	PIPE, DRAIN	1	
7	90467-11106	CLIP	1	
8	B6H-E5431-00	COVER, CRANKCASE 3	1	
9	2DP-E5495-00	SEAL, PROTECTOR 1	1	
10	B65-E5472-00	SEAL, AIR DUCT	1	
11	2DP-E5407-00	ELEMENT 1	1	
12	B63-E5481-00	BOLT 1	6	
13	2DP-E5474-00	SEAL, AIR DUCT	1	
14	B6H-E5316-00	DAMPER 1	1	
15	B6H-E5326-00	DAMPER 2	1	
16	90520-10856	DAMPER, PLATE	1	
17	90520-40801	DAMPER, PLATE	1	
18	90520-10851	DAMPER, PLATE	1	
19	90520-50801	DAMPER, PLATE	1	
20	B6H-E533C-00	DAMPER 7	1	
21	90520-40800	DAMPER, PLATE	1	
22	B6H-E533E-00	DAMPER 9	1	
23	90520-10855	DAMPER, PLATE	1	

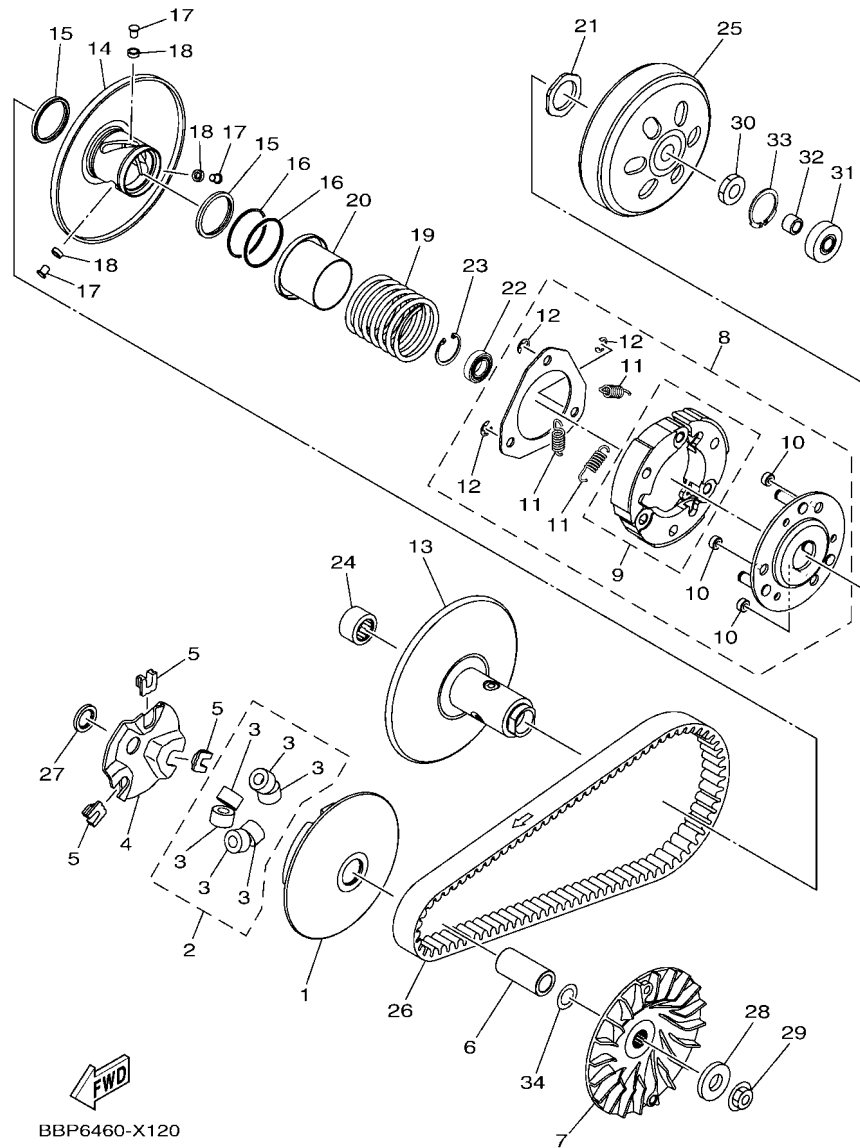
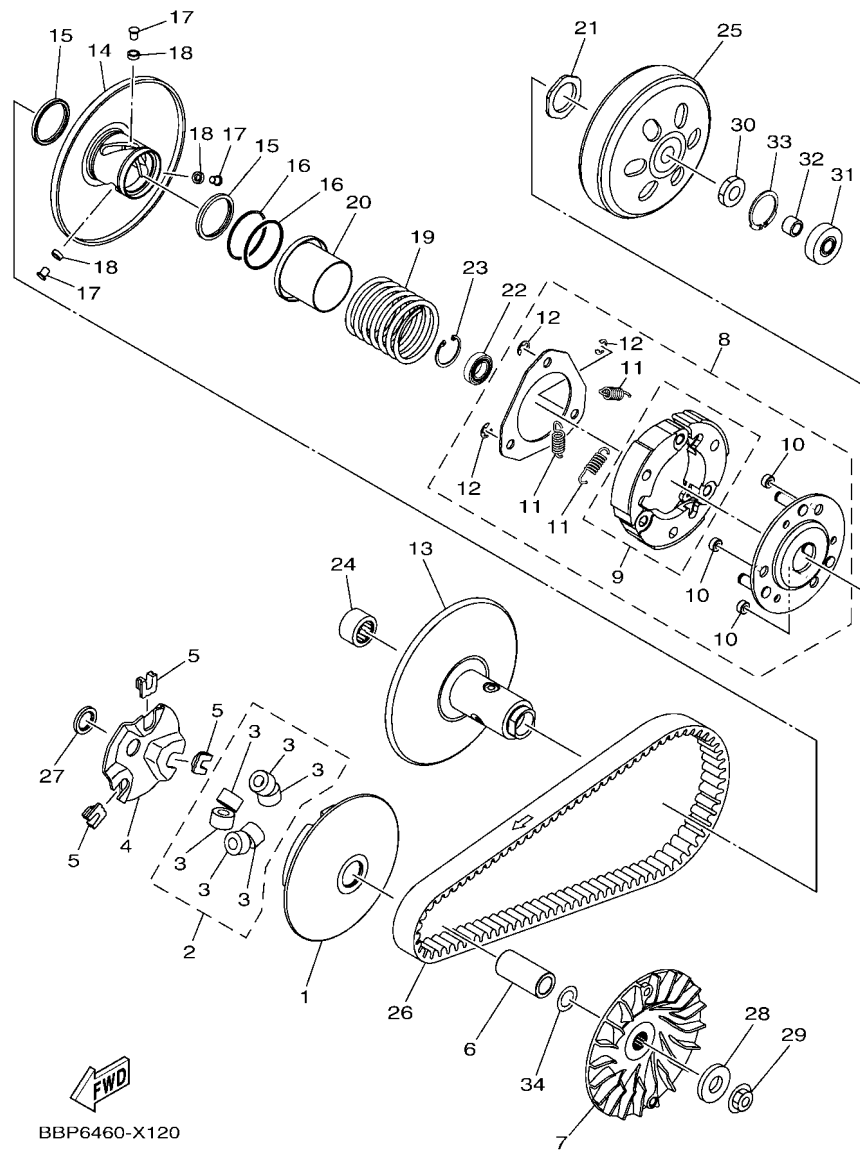


FIG. 12 CLUTCH

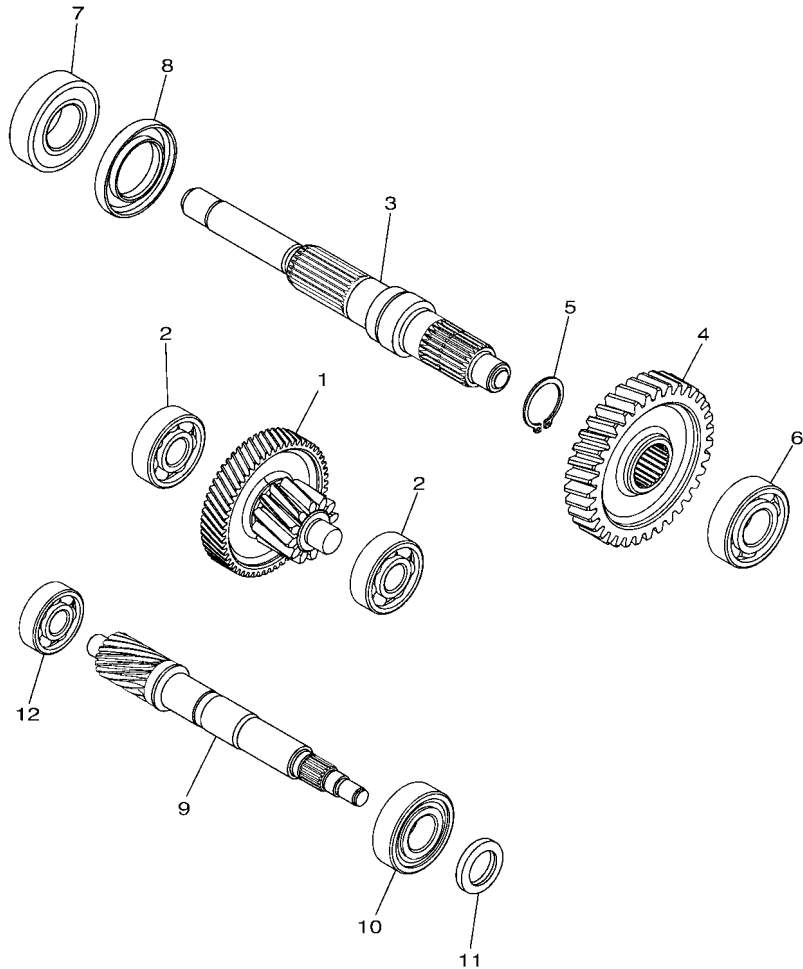
REF. NO.	PART NO.	DESCRIPTION	BBM3				REMARKS
1	BBP-E7620-00	PRIMARY SLIDING SHEAVE COMP.	1				
2	BBP-WE763-00	WEIGHT SET	1				
3	BBP-E7632-00	.WEIGHT	6				
4	2DP-E7623-00	CAM	1				
5	44D-E7653-00	SLIDER	3				
6	B6H-E7674-00	COLLAR, GUIDE	1				
7	2DP-E7611-00	SHEAVE, PRIMARY FIXED	1				
8	BBP-E6620-00	CLUTCH CARRIER ASSY	1				
9	B65-WE662-00	.CLUTCH WEIGHT SHOE SET	1				
10	54P-E6629-00	.DAMPER, CLUTCH WEIGHT	3				
11	B65-E6626-00	.SPRING, CLUTCH WEIGHT 1	3				
12	54P-E6819-00	.CIRCLIP, CLUTCH	3				
13	B6H-E7660-00	SECONDARY FIXED SHEAVE COMP.	1				
14	BBP-E7670-00	SECONDARY SLIDING SHEAVE	1				
15	2DP-E7465-00	SEAL	2				
16	2DP-E7465-10	SEAL	2				
17	B74-E7664-00	PIN, GUIDE	3				
18	2DP-E7674-10	COLLAR, GUIDE	3				
19	BBP-E7683-00	SPRING, SECONDARY	1				
20	2DP-E7684-00	SEAT, SECONDARY SPRING	1				
21	2DP-E7668-00	NUT	1				
22	B6H-E7678-00	BEARING	1				
23	2DP-E5744-00	CIRCLIP	1				
24	2DP-E7678-10	BEARING	1				
25	BBP-E6611-00	CLUTCH HOUSING COMP.	1				
26	B8R-E7641-00	V-BELT	1				
27	90201-16819	WASHER, PLATE	1				



BBP6460-X120

FIG. 12 CLUTCH

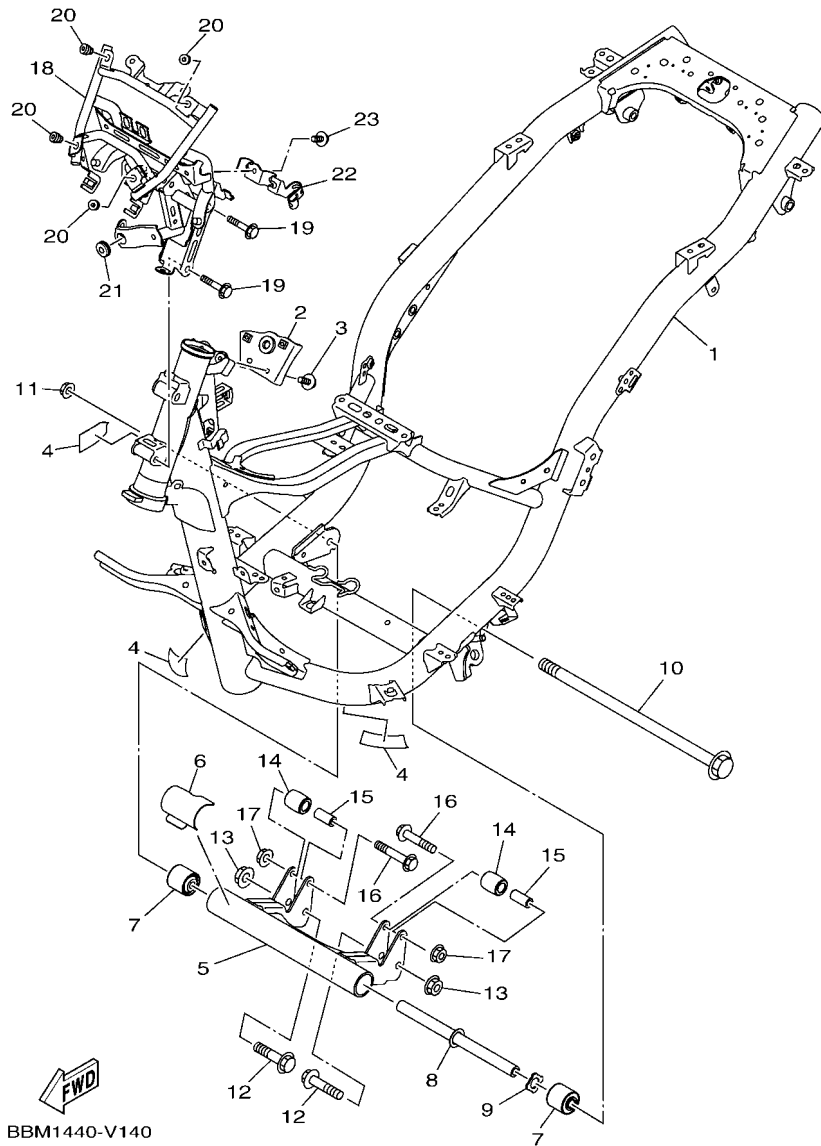
REF. NO.	PART NO.	DESCRIPTION	BBM3	REMARKS
28	90201-15849	WASHER, PLATE	1	
29	90179-12004	NUT	1	
30	90170-12802	NUT	1	
31	933A6-202Y0	BEARING	1	
32	90380-10800	BUSH, SOLID	1	
33	99009-35700	CIRCLIP	1	
34	90201-15847	WASHER, PLATE	1	




 BV3H300-V140

FIG. 13 TRANSMISSION

REF. NO.	PART NO.	DESCRIPTION	BBM3				REMARKS
1	2DP-E7410-01	MAIN AXLE COMP. (12T/56T)	1				UR EITHER CAN USE
	2DP-E7410-10	MAIN AXLE COMP. (12T/56T)	1				UR EITHER CAN USE
	2DP-E7410-20	MAIN AXLE COMP. (12T/56T)	1				UR EITHER CAN USE
	2DP-E7410-31	MAIN AXLE COMP. (12T/56T)	1				UR EITHER CAN USE
2	93306-302YU	BEARING	2				
3	B6H-E7421-00	AXLE, DRIVE	1				
4	2DP-E7211-01	GEAR, 1ST WHEEL (35T)	1				UR EITHER CAN USE
	2DP-E7211-10	GEAR, 1ST WHEEL (35T)	1				UR EITHER CAN USE
	2DP-E7211-20	GEAR, 1ST WHEEL (35T)	1				UR EITHER CAN USE
5	99009-25400	CIRCLIP	1				
6	93306-303YW	BEARING	1				
7	93306-255YA	BEARING	1				
8	93102-32807	OIL SEAL	1				
9	B65-E6111-01	GEAR, PRIMARY DRIVE (16T)	1				UR EITHER CAN USE
	B65-E6111-10	GEAR, PRIMARY DRIVE (16T)	1				UR EITHER CAN USE
10	93306-254Y5	BEARING	1				
11	93102-20815	OIL SEAL	1				
12	93306-351Y8	BEARING	1				

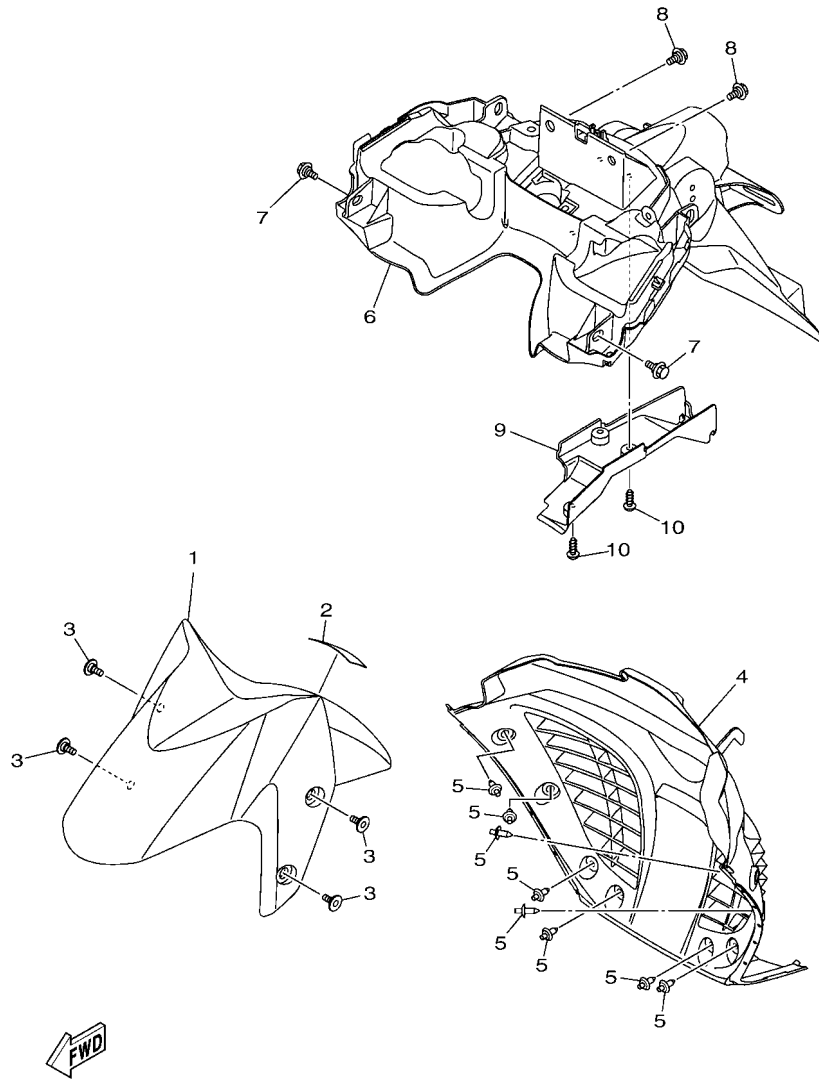


BBM1440-V140

FIG. 14 FRAME

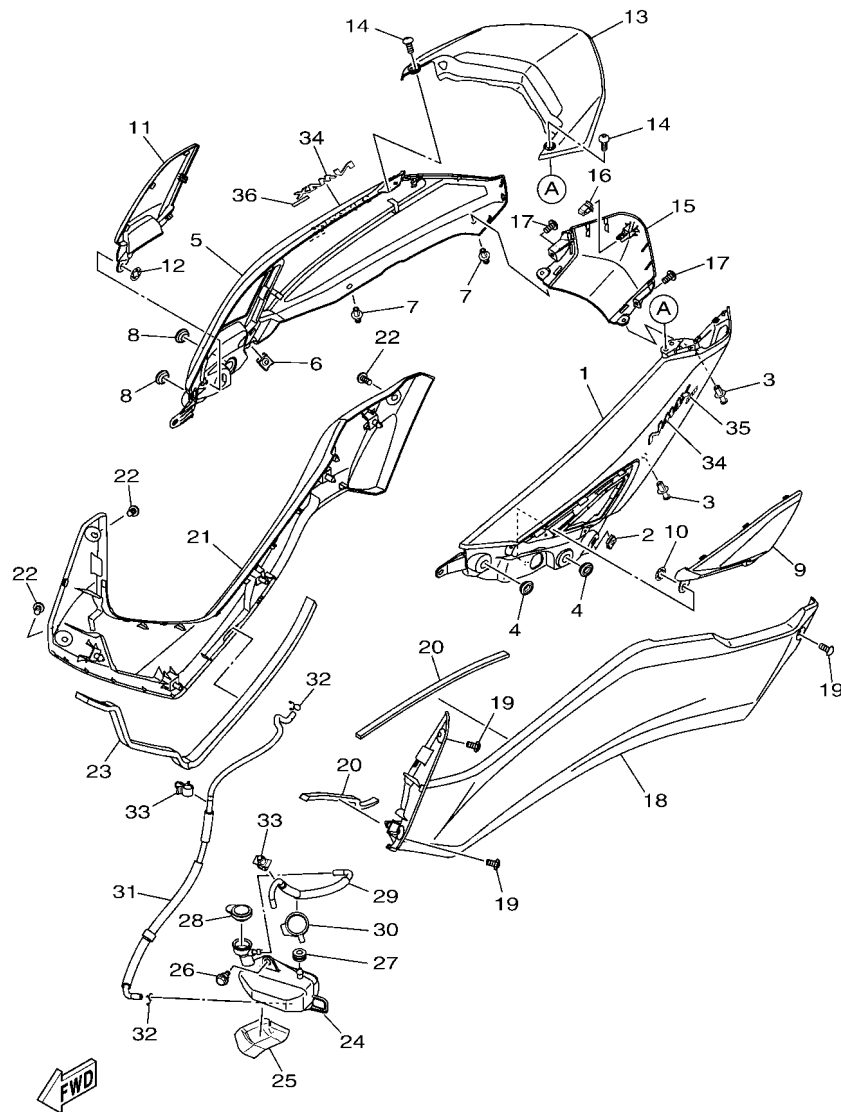
REF. NO.	PART NO.	DESCRIPTION	BBM3	REMARKS
1	B6H-F1110-01	FRAME COMP.	1	
2	B6H-H251P-00	BRACKET, MAIN SWITCH	1	
3	90109-068D5	BOLT	2	
4	5D9-F414G-00	SEAL	3	
5	B6H-F1410-00	ENGINE BRACKET COMP.	1	
6	B65-F117G-00	PROTECTOR	1	
7	90388-10818	DAMPER	2	
8	90387-10857	COLLAR	1	
9	B65-F113B-00	DAMPER	1	
10	B65-F2141-00	SHAFT, PIVOT	1	
11	95602-10200	NUT, S/L FLANGE	1	
12	90105-10283	BOLT, FLANGE	2	
13	95602-10200	NUT, S/L FLANGE	2	
14	5P2-F7114-00	STOPPER, MAIN STAND	2	
15	90387-08821	COLLAR	2	
16	90105-088E3	BOLT, FLANGE	2	
17	95602-08200	NUT, U FLANGE	2	
18	B6H-F8356-00	STAY 1	1	
19	95D32-08050	BOLT, FLANGE DEEP RECESS	2	
20	90179-05003	NUT	4	
21	90480-17802	GROMMET	1	
22	B6H-F588F-00	HOLDER, BRAKE HOSE 5	1	
23	95D32-06012	BOLT, FLANGE DEEP RECESS	1	

FIG. 15 FENDER



BBM1440-V150

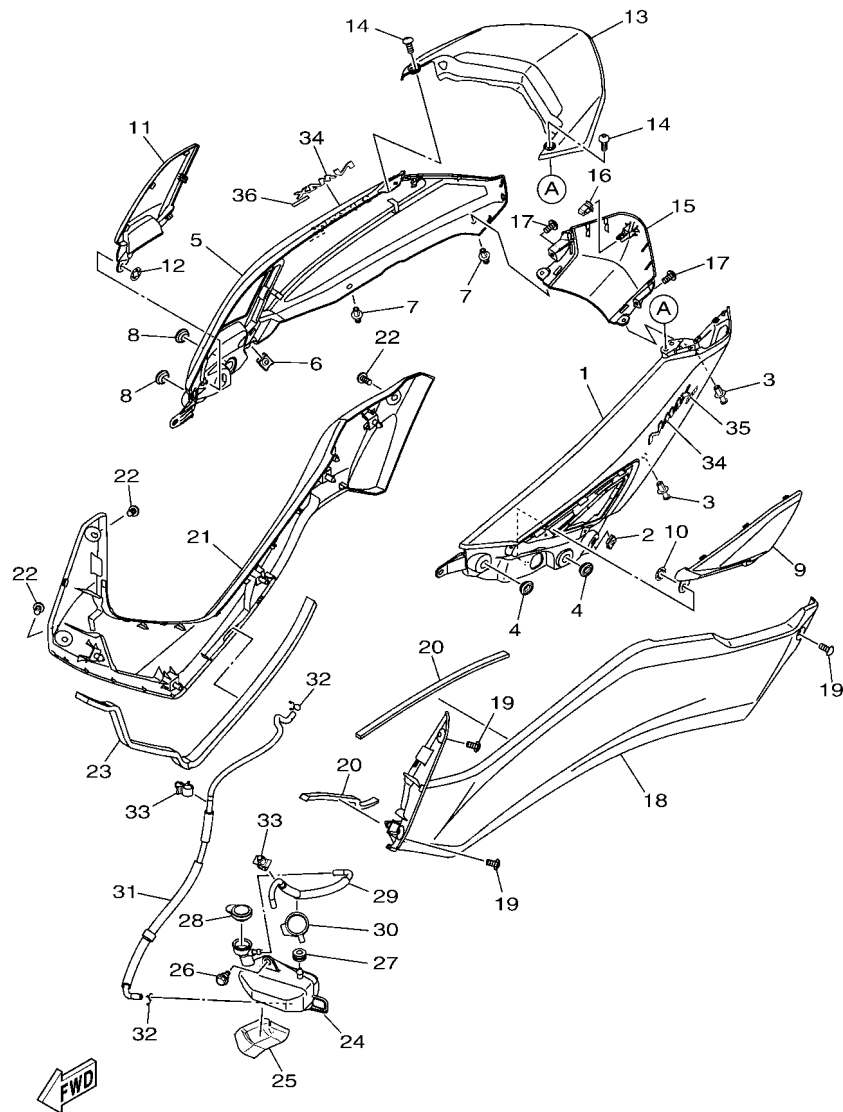
REF. NO.	PART NO.	DESCRIPTION	BBM3	REMARKS
1	2DP-F1511-00-P9	FENDER, FRONT	1	UR FOR MDPBM5
	2DP-F1511-00-PF	FENDER, FRONT	1	UR FOR MDBNM4
2	5D9-F414G-00	SEAL	1	UR EITHER CAN USE
	B3F-F414G-20	SEAL	1	UR EITHER CAN USE
3	90109-068A4	BOLT	4	
4	B6H-F1552-01	FENDER, INNER	1	
5	90269-06816	RIVET	8	
6	B6H-F1611-30	FENDER, REAR	1	
7	90109-068B2	BOLT	2	
8	90109-068C7	BOLT	2	
9	B6H-F162R-01	FENDER 2	1	
10	97702-50016	SCREW, TAPPING	3	



BBM3440-X160

FIG. 16 SIDE COVER

REF. NO.	PART NO.	DESCRIPTION	BBM3		REMARKS
1	B6H-F1711-00-P4	COVER, SIDE 1	1		UR FOR MDPBM5
	B6H-F1711-00-PB	COVER, SIDE 1	1		UR FOR MDBNM4
2	90183-05807	NUT, SPRING	1		
3	90269-06816	RIVET	2		
4	90480-01559	GROMMET	2		
5	B6H-F1721-00-P4	COVER, SIDE 2	1		UR FOR MDPBM5
	B6H-F1721-00-PB	COVER, SIDE 2	1		UR FOR MDBNM4
6	90183-05807	NUT, SPRING	1		
7	90269-06816	RIVET	2		
8	90480-01559	GROMMET	2		
9	B6H-F171E-00	COVER, SIDE 5	1		
10	90183-06815	NUT, SPRING	1		
11	B6H-F171X-00	COVER, SIDE 6	1		
12	90183-06815	NUT, SPRING	1		
13	B6H-H4716-00	COVER, TAILLIGHT	1		
14	97707-50016	SCREW, TRUSS HEAD TAPPING	2		
15	B6H-F1651-00-P4	COVER, REAR FENDER	1		UR FOR MDPBM5
	B6H-F1651-00-PB	COVER, REAR FENDER	1		UR FOR MDBNM4
16	90464-07018	CLAMP	1		
17	97702-50016	SCREW, TAPPING	2		
18	B6H-F1731-00-P5	COVER, SIDE 3	1		MNM3 FOR MDPBM5
	B6H-F1731-00-P3	COVER, SIDE 3	1		SM12 FOR MDBNM4
19	90160-05810	SCREW, ROUND TAPPING	3		
20	90520-10854	DAMPER, PLATE	2		
21	B6H-F1741-00-P5	COVER, SIDE 4	1		MNM3 FOR MDPBM5
	B6H-F1741-00-P3	COVER, SIDE 4	1		SM12 FOR MDBNM4
22	90160-05810	SCREW, ROUND TAPPING	3		

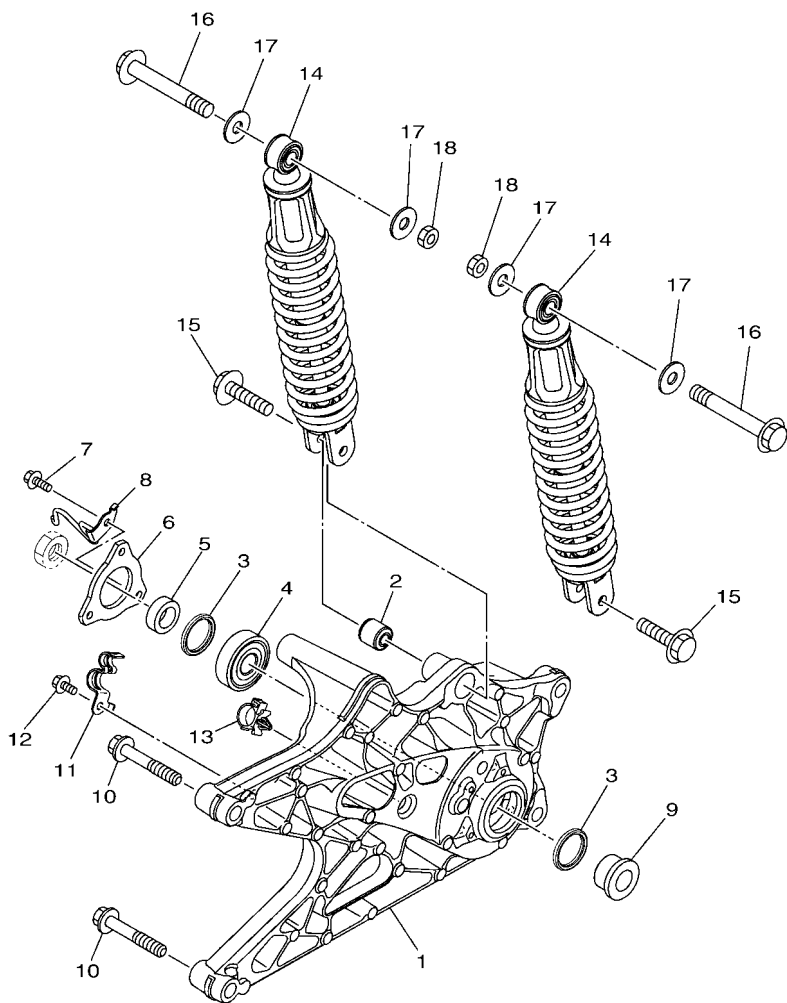


BBM3440-X160

FIG. 16 SIDE COVER

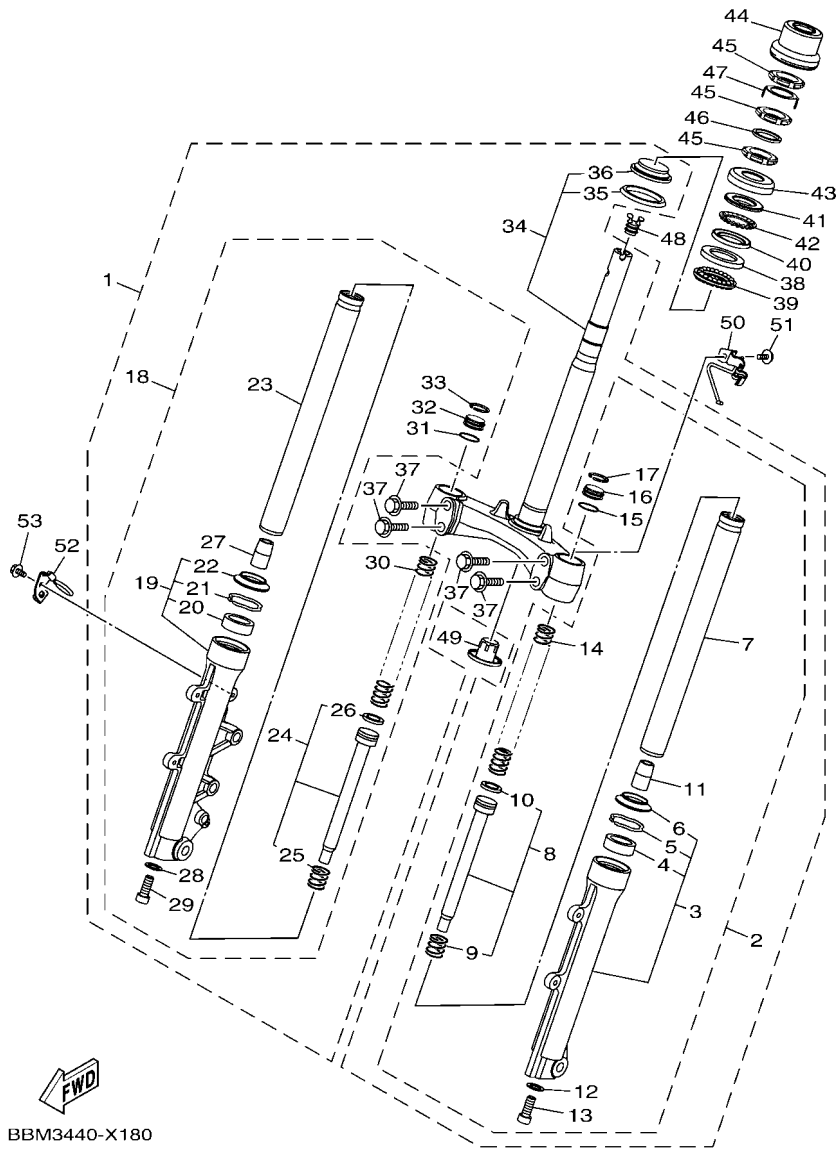
REF. NO.	PART NO.	DESCRIPTION	BBM3				REMARKS
23	90520-15817	DAMPER, PLATE	1				
24	B65-F1871-00	TANK, RECOVERY	1				
25	B6H-F1746-00	DAMPER	1				
26	90109-068B2	BOLT	1				
27	90480-14808	GROMMET	1				
28	1S7-F1875-01	CAP	1				
29	B6H-F1816-10	PIPE 1	1				
30	90464-30001	CLAMP	1				
31	B6H-F1817-10	PIPE 2	1				
32	90467-08003	CLIP	2				
33	90464-07805	CLAMP	2				
34	B6H-F173B-00	EMBLEM 3D	1				UR FOR MDPBM5
	B6H-F173B-50	EMBLEM 3D	1				UR FOR MDBNM4
35	B6H-F173B-00	EMBLEM 3D	1				UR FOR MDPBM5
	B6H-F173B-50	EMBLEM 3D	1				UR FOR MDBNM4
36	B6H-F173E-20	GRAPHIC 1	1				UR FOR MDPBM5
	BV4-F173E-90	GRAPHIC 1	1				UR FOR MDBNM4
37	B6H-F173E-20	GRAPHIC 1	1				UR FOR MDPBM5
	BV4-F173E-90	GRAPHIC 1	1				UR FOR MDBNM4

FIG. 17 REAR ARM & SUSPENSION



FWD
BBM3440-X170

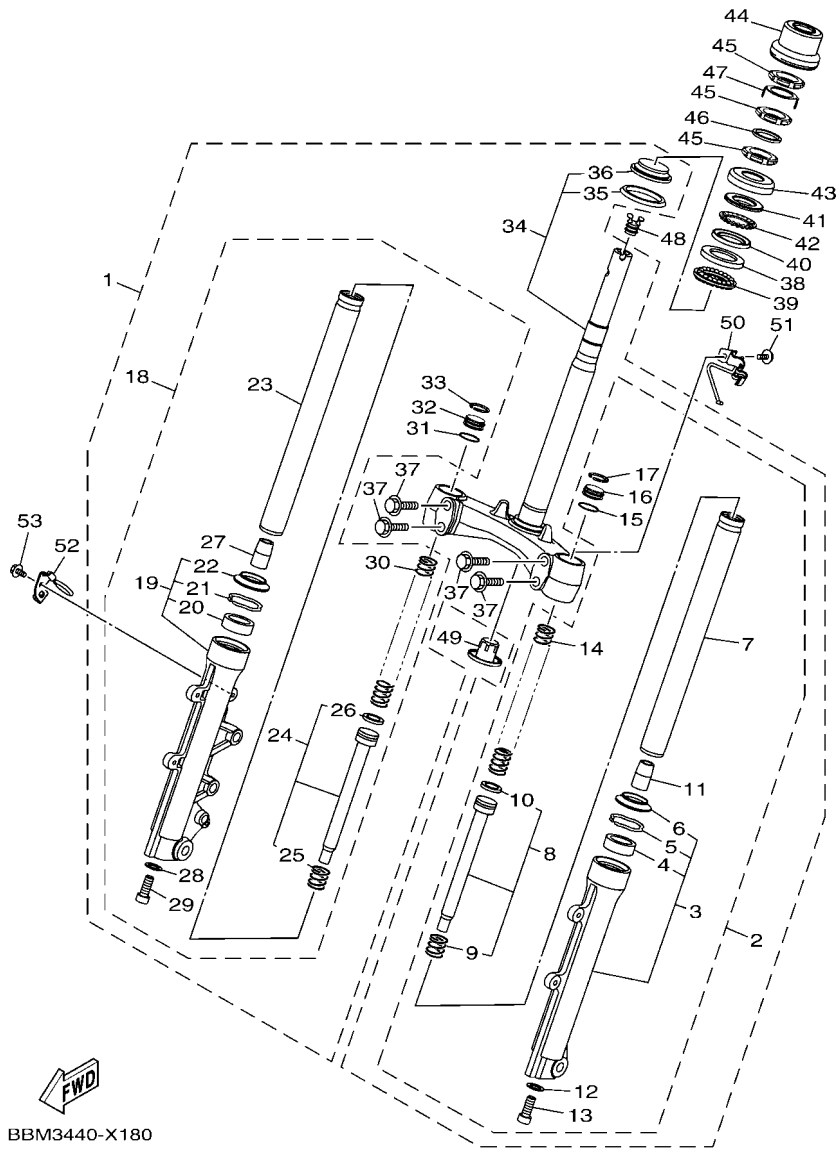
REF. NO.	PART NO.	DESCRIPTION	BBM3				REMARKS
1	B6H-F2171-10	ARM, REAR 1	1				
2	90388-08803	DAMPER	1				
3	93106-28801	OIL SEAL	2				
4	93306-303YX	BEARING	1				
5	90387-17807	COLLAR	1				
6	2DP-F2117-10	CAP	1				
7	95D37-06016	BOLT, FLANGE DEEP RECESS	3				
8	B6H-F588G-10	HOLDER, BRAKE HOSE 6	1				
9	90387-17808	COLLAR	1				
10	95D32-10060	BOLT, FLANGE DEEP RECESS	2				
11	B6H-F5886-00	HOLDER, BRAKE HOSE	1				
12	95D32-06012	BOLT, FLANGE DEEP RECESS	1				
13	90464-16006	CLAMP	1				
14	B1T-F2210-00	SHOCK ABSORBER ASSY, REAR	2				
15	90105-088E8	BOLT, FLANGE	2				
16	90105-108C1	BOLT, FLANGE	2				
17	90201-10853	WASHER, PLATE	4				
18	95302-10600	NUT, HEXAGON	2				



BBM3440-X180

FIG. 18 STEERING

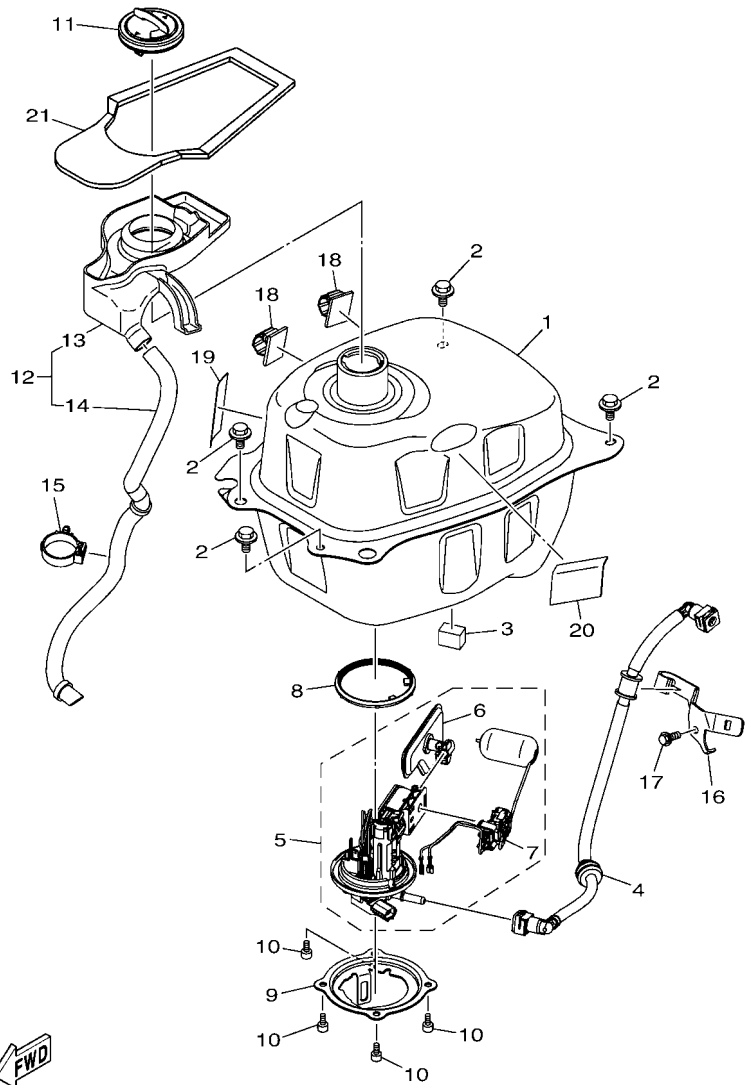
REF. NO.	PART NO.	DESCRIPTION	BBM3				REMARKS
1	B6H-F3100-10	FRONT FORK ASSY	1				
2	B6H-F3102-00	.FRONT FORK ASSY (L.H)	1				
3	2DP-F3126-00	..TUBE, OUTER (L.H)	1				
4	3HB-F3145-00	...OIL SEAL	1				
5	3V3-F3156-00	...RING, SNAP	1				
6	3HB-F3144-00	...SEAL, DUST	1				
7	2DP-F3110-00	..INNER TUBE COMP.1	1				
8	2DP-F3170-00	..CYLINDER COMP., FRONT FORK	1				
9	2K5-23152-00	...SPRING, SUB	1				
10	2DP-F3157-00	...RING, PISTON	1				
11	2DP-F3173-00	..SPINDLE, TAPER	1				
12	2BU-F3158-00	..GASKET	1				
13	278-F3181-50	..BOLT, HEXAGON SOCKET HEAD	1				
14	B6H-F3141-00	..SPRING, FRONT FORK	1				
15	3Y6-23114-00	..GASKET	1				
16	2DP-F3111-00	..BOLT, CAP	1				
17	2DP-F3153-00	..RING, SNAP	1				
18	B6H-F3103-00	.FRONT FORK ASSY (R.H)	1				
19	2DP-F3136-00	..TUBE, OUTER	1				
20	3HB-F3145-00	...OIL SEAL	1				
21	3V3-F3156-00	...RING, SNAP	1				
22	3HB-F3144-00	...SEAL, DUST	1				
23	2DP-F3110-00	..INNER TUBE COMP.1	1				
24	2DP-F3170-00	..CYLINDER COMP., FRONT FORK	1				
25	2K5-23152-00	...SPRING, SUB	1				
26	2DP-F3157-00	...RING, PISTON	1				
27	2DP-F3173-00	..SPINDLE, TAPER	1				



BBM3440-X180

FIG. 18 STEERING

REF. NO.	PART NO.	DESCRIPTION	BBM3	REMARKS
28	2BU-F3158-00	..GASKET	1	
29	278-F3181-50	..BOLT, HEXAGON SOCKET HEAD	1	
30	B6H-F3141-00	..SPRING, FRONT FORK	1	
31	3Y6-23114-00	..GASKET	1	
32	2DP-F3111-00	..BOLT, CAP	1	
33	2DP-F3153-00	..RING, SNAP	1	
34	B6H-F2403-00	..UNDER BRACKET COMP	1	
35	B63-F3462-00	..SEAL, DUST	1	
36	2TD-F3875-00	..BEARING, STEERING LOWER	1	
37	5YW-F3346-10	..BOLT 1	4	
38	1KL-F3412-10	RACE, BALL 2	1	
39	5VL-F341E-10	RETAINER, BALL BEARING	1	
40	4RT-F3412-10	RACE, BALL 2	1	
41	4RT-F3411-10	RACE, BALL 1	1	
42	1P6-F341E-10	RETAINER, BALL BEARING	1	
43	2WB-F3416-00	COVER, BALL RACE 2	1	
44	B65-F3415-00	COVER, BALL RACE 1	1	
45	90179-25810	NUT	3	
46	90202-26142	WASHER, PLATE	1	
47	1PA-F3418-00	WASHER, SPECIAL	1	UR EITHER CAN USE
	1SK-F3418-00	WASHER, SPECIAL	1	UR EITHER CAN USE
48	B6H-F312G-00	PLUG, HOLE	1	
49	B65-F3123-00	COVER, UNDER 1	1	
50	B6H-F5875-00	HOLDER, BRAKE HOSE 1	1	
51	95D02-06012	BOLT, FLANGE DEEP RECESS	1	
52	B6H-F5876-00	HOLDER, BRAKE HOSE 2	1	
53	95D02-06012	BOLT, FLANGE DEEP RECESS	1	



BBM3440-X190

FIG. 19 FUEL TANK

REF. NO.	PART NO.	DESCRIPTION	BBM3				REMARKS
1	B6H-F4110-01	FUEL TANK COMP.	1				
2	90119-068B7	BOLT, WITH WASHER	4				
3	90520-15803	DAMPER, PLATE	1				
4	B6H-E3971-00	PIPE, FUEL 1	1				
5	B6H-E3907-01	FUEL PUMP COMP.	1				
6	54P-E3915-00	.FILTER, FUEL SUCTION	1				
7	BK6-H5752-00	.SENDER UNIT ASSY, FUEL METER	1				
8	54P-F414G-10	SEAL	1				
9	B6H-F4491-00	BRACKET, FUEL PUMP	1				
10	91312-05010	BOLT, HEXAGON SOCKET HEAD	4				
11	B6H-F4610-01	CAP ASSY	1				
12	B6H-F414A-01	COVER, FILLER	1				
13	B6H-F4217-00	.COVER	1				
14	B6H-F4318-01	.PIPE, OVERFLOW	1				
15	90464-30001	CLAMP	1				
16	B6H-F419A-10	HOLDER	1				
17	95E37-06012	BOLT, FLANGE DEEP RECESS	1				
18	90464-14002	CLAMP	2				
19	5D9-F414G-00	SEAL	1				
20	5TP-F139X-00	DAMPER	1				
21	BBM-F113B-00	DAMPER	1				

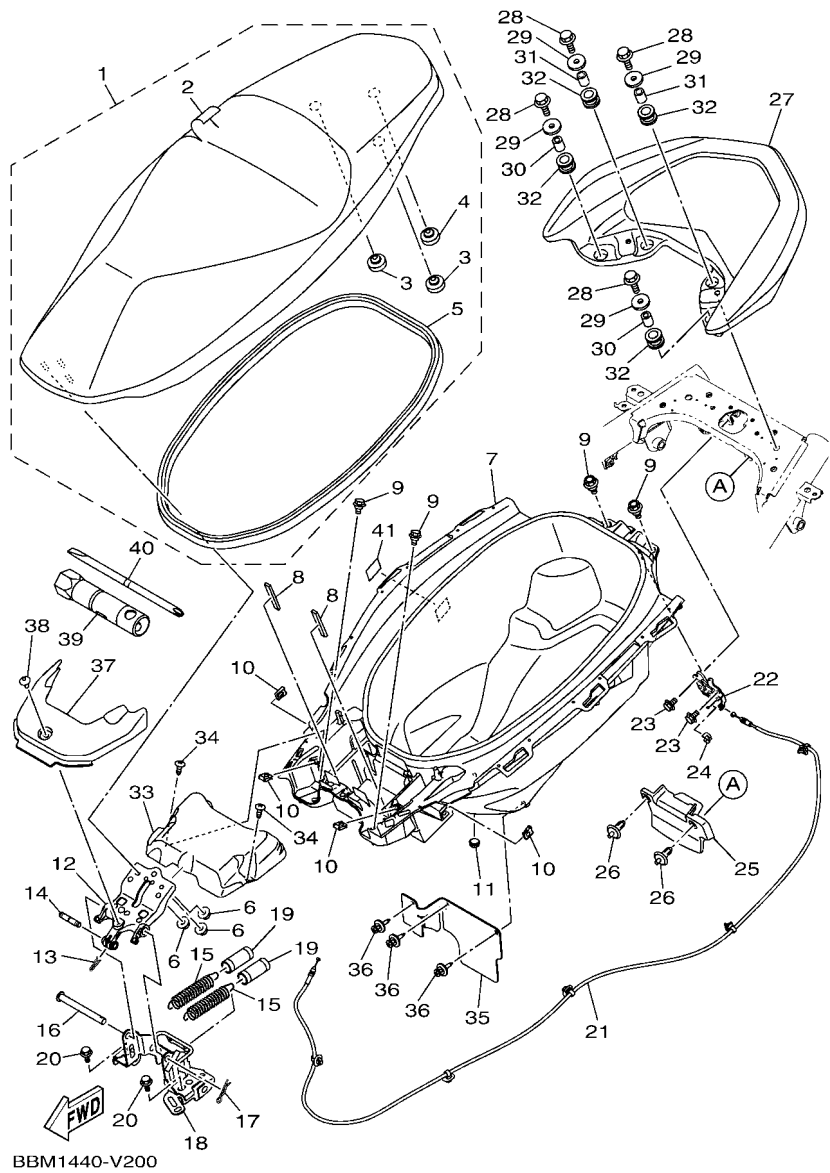


FIG. 20 SEAT

REF. NO.	PART NO.	DESCRIPTION	BBM3				REMARKS
1	B6H-F4730-01	DOUBLE SEAT ASSY	1				
2	B6H-F470F-01	.SEAT COVER COMP.	1				
3	5BP-F4741-00	.PAD, SEAT	2				
4	3C1-F4741-00	.PAD, SEAT	1				
5	B6H-F475M-00	.SEAL	1				
6	95702-06500	NUT, FLANGE	3				
7	B6H-F473R-00	BOX 1	1				
8	90520-04806	DAMPER, PLATE	2				
9	90109-068B2	BOLT	4				
10	90183-05807	NUT, SPRING	4				
11	4US-F6199-00	PLUG, BLIND	1				
12	B6H-F4769-00	HINGE, SEAT	1				
13	90468-08086	CLIP	1				
14	B6H-F4811-00	HOOK, STRING	1				
15	90506-23815	SPRING, TENSION	2				
16	B74-F4727-00	PIN, SEAT FITTING	1				
17	90468-18121	CLIP	1				
18	B6H-F472A-00	SUPT. ,BATTERY	1				
19	B6H-F247C-00	HOSE 3	2				
20	90119-06212	BOLT, WITH WASHER	2				
21	B6H-F478E-10	CABLE, SEAT LOCK	1				
22	40D-F4780-01	SEAT LOCK ASSY	1				
23	95E32-06012	BOLT, FLANGE DEEP RECESS	2				
24	1S7-F4768-00	STOPPER	1				
25	B6H-F472T-01	COVER, SEAT LOCK	1				
26	90269-06816	RIVET	2				
27	B6H-F4773-10	HANDLE, SEAT	1				

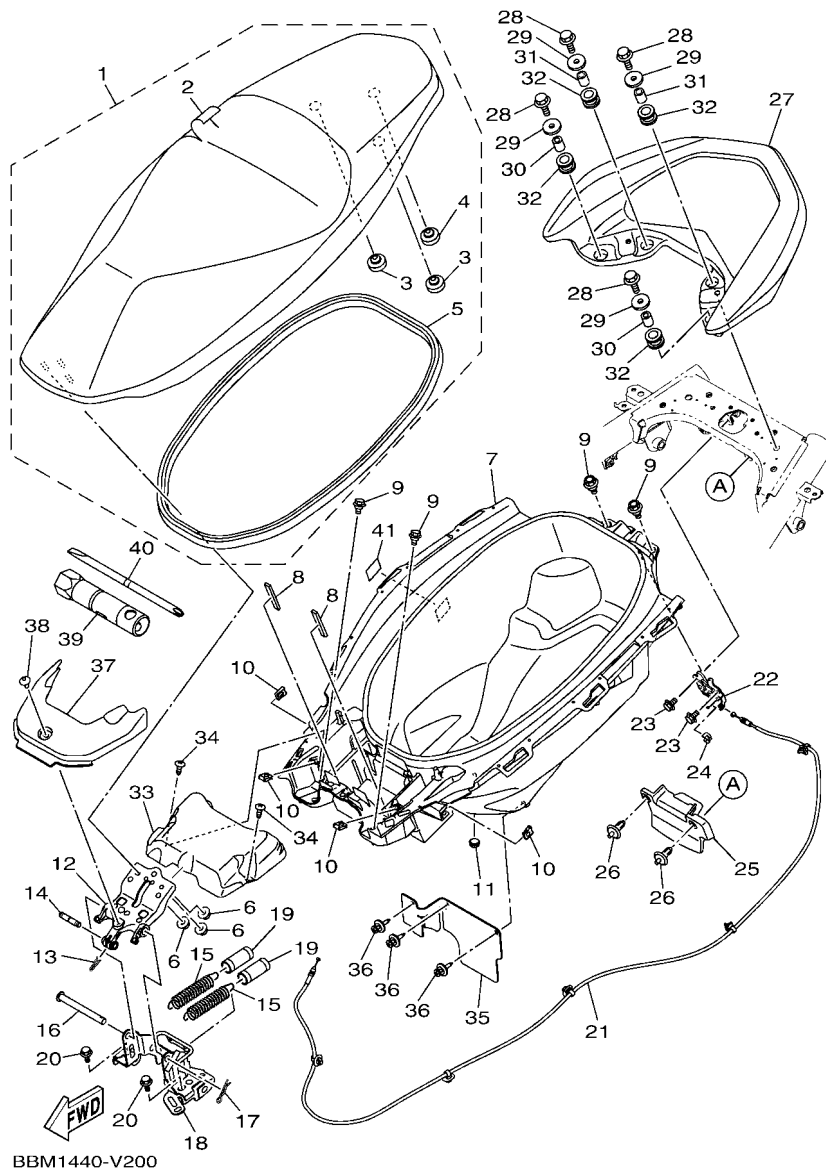
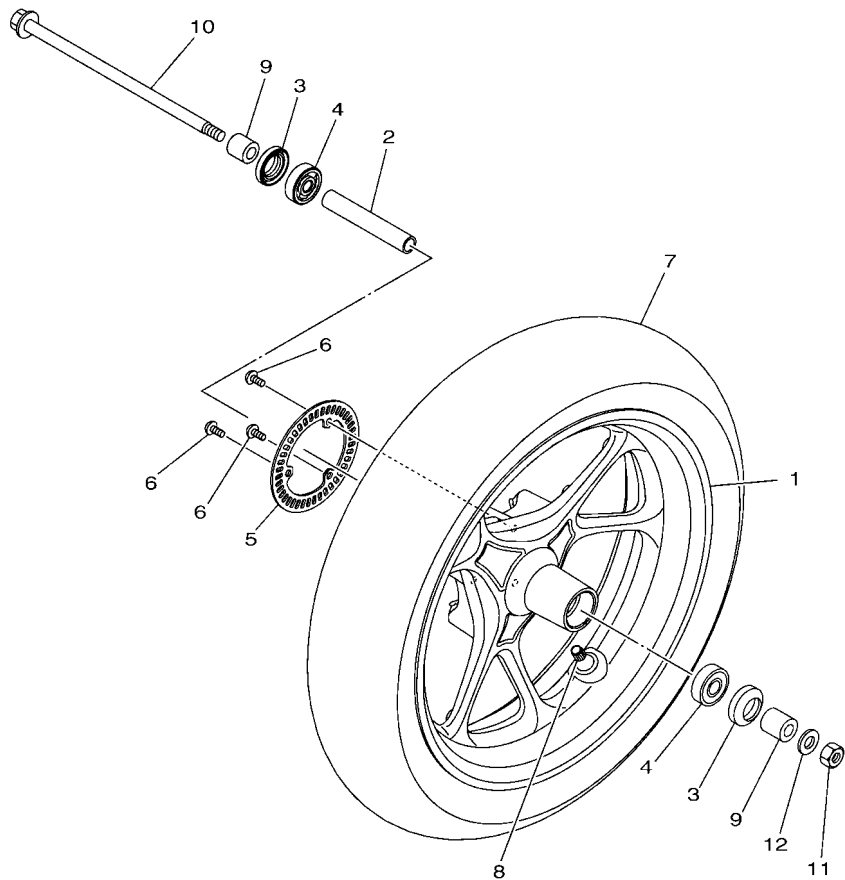


FIG. 20 SEAT

REF. NO.	PART NO.	DESCRIPTION	BBM3				REMARKS
28	95D32-08035	BOLT, FLANGE DEEP RECESS	4				
29	90201-08884	WASHER, PLATE	4				
30	90387-08847	COLLAR	2				
31	90387-10867	COLLAR	2				
32	90480-19802	GROMMET	4				
33	B6H-H2129-10	COVER, BATTERY	1				
34	97707-50012	SCREW, TRUSS HEAD TAPPING	2				
35	B6H-F1621-10	FLAP	1				
36	90269-06812	RIVET	3				
37	B6H-F842N-00	COVER 2	1				
38	90111-05816	BOLT, HEX. SOCKET BUTTON	1				
39	2DP-F814F-00	BOX, SPARK PLUG	1				
40	3AY-F8152-00	DRIVER	1				
41	BC1-F1668-00	LABEL, TIRE	1				

FIG. 21 FRONT WHEEL



REF. NO.	PART NO.	DESCRIPTION	BBM3	REMARKS
1	B6H-F5168-00-33	CAST WHEEL, FRONT	1	YB FOR MDPBM5
	B6H-F5168-00-P3	CAST WHEEL, FRONT	1	MNYM3 FOR MDBNM4
2	90387-10839	COLLAR	1	
3	93106-20816	OIL SEAL	2	
4	93306-300YN	BEARING	2	
5	2DP-F517G-00	ROTOR, SENSOR	1	
6	90149-05030	SCREW	3	
7	94111-13803	TIRE (110/70-13M/C 48P)	1	INOUE
8	93900-00824	VALVE, RIM	1	
9	90387-10277	COLLAR	2	
10	2DP-F5181-10	AXLE, WHEEL	1	
11	90185-10012	NUT, SELF-LOCKING	1	
12	90201-10831	WASHER, PLATE	1	



B6H1460-U210

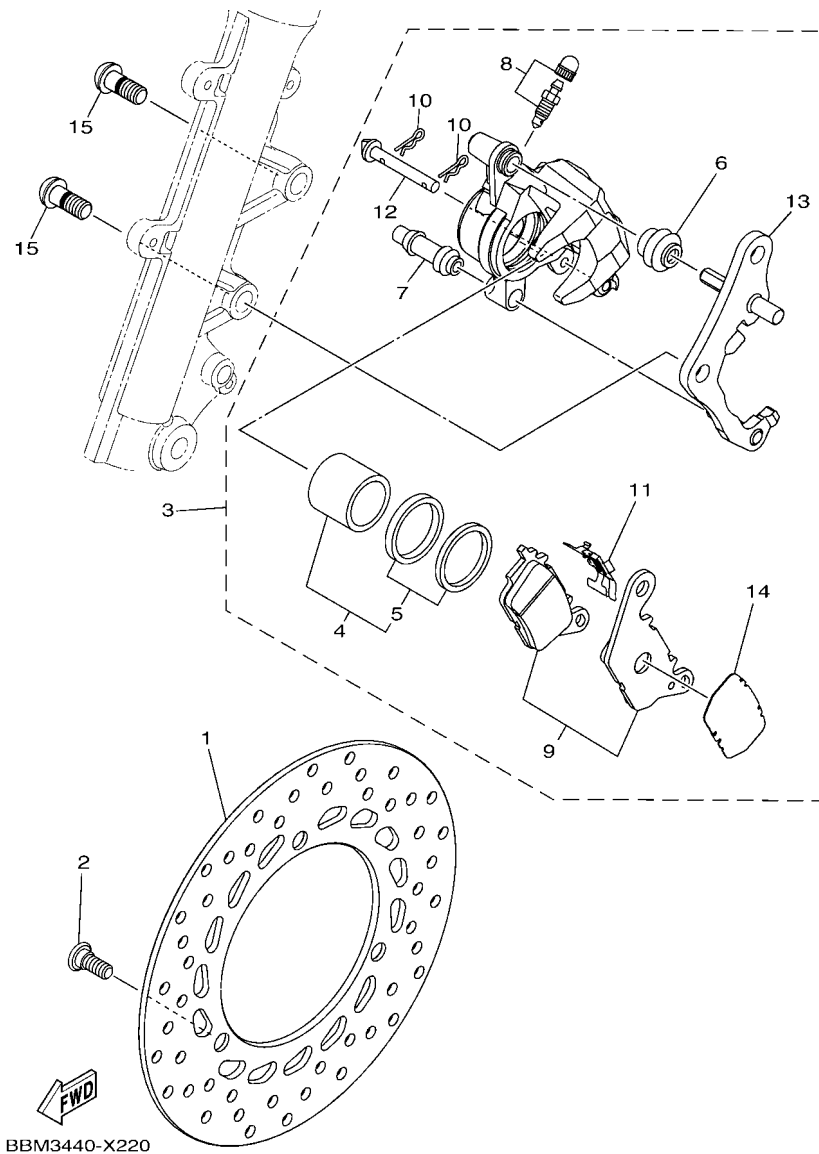
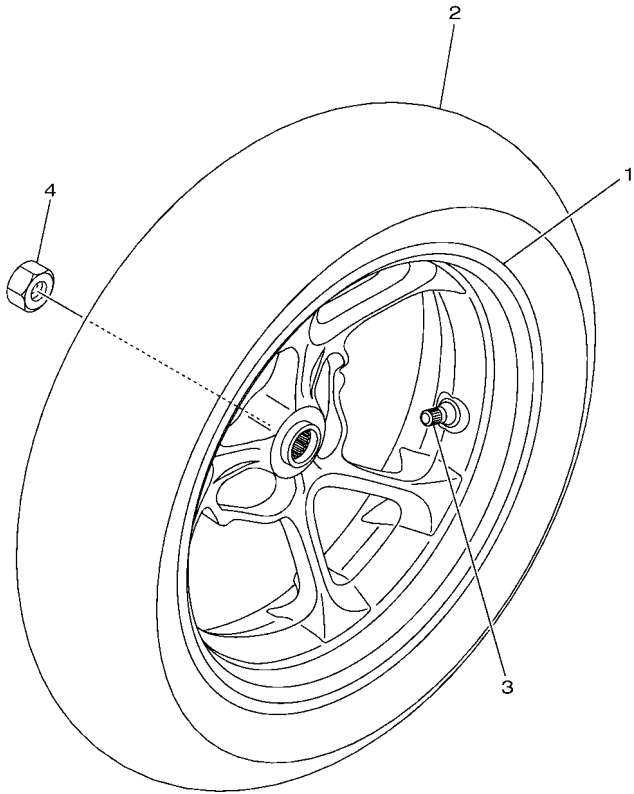


FIG. 22 FRONT BRAKE CALIPER

REF. NO.	PART NO.	DESCRIPTION	BBM3				REMARKS
1	2DP-F582U-00	DISK, BRAKE (RIGHT)	1				
2	90109-08232	BOLT	3				
3	B6H-F580U-00	CALIPER ASSY (RIGHT)	1				
4	2BM-F5802-00	.PISTON ASSY, CALIPER	1				
5	5YP-F5803-50	..CALIPER SEAL KIT	1				
6	2BM-F5917-00	..BOOT, CALIPER	1				
7	5YP-F5937-00	..BOOT 2	1				
8	4C9-W0048-00	..BLEED SCREW KIT	1				
9	2DP-F5805-00	..BRAKE PAD KIT	1				
10	5YP-F5925-01	..CLIP	2				
11	2BM-F5919-00	..SUPPORT, PAD	1				
12	5YP-F5924-00	..PIN, PAD	1				
13	2DP-F5920-00	..SUPT. BRKT. ASSY.	1				
14	B8A-F5827-00	..SHIM, CALIPER	1				
15	90149-10805	SCREW	2				

FIG. 23 REAR WHEEL

REF. NO.	PART NO.	DESCRIPTION	BBM3					REMARKS
1	B6H-F5338-00-33	CAST WHEEL, REAR	1					YB FOR MDPBM5
	B6H-F5338-00-P3	CAST WHEEL, REAR	1					MNYM3 FOR MDBNM4
2	94113-13809	TIRE (130/70-13M/C 63P)	1					INOUE
3	93900-00824	VALVE, RIM	1					
4	90185-16800	NUT, SELF-LOCKING	1					




 BBM1440-V230

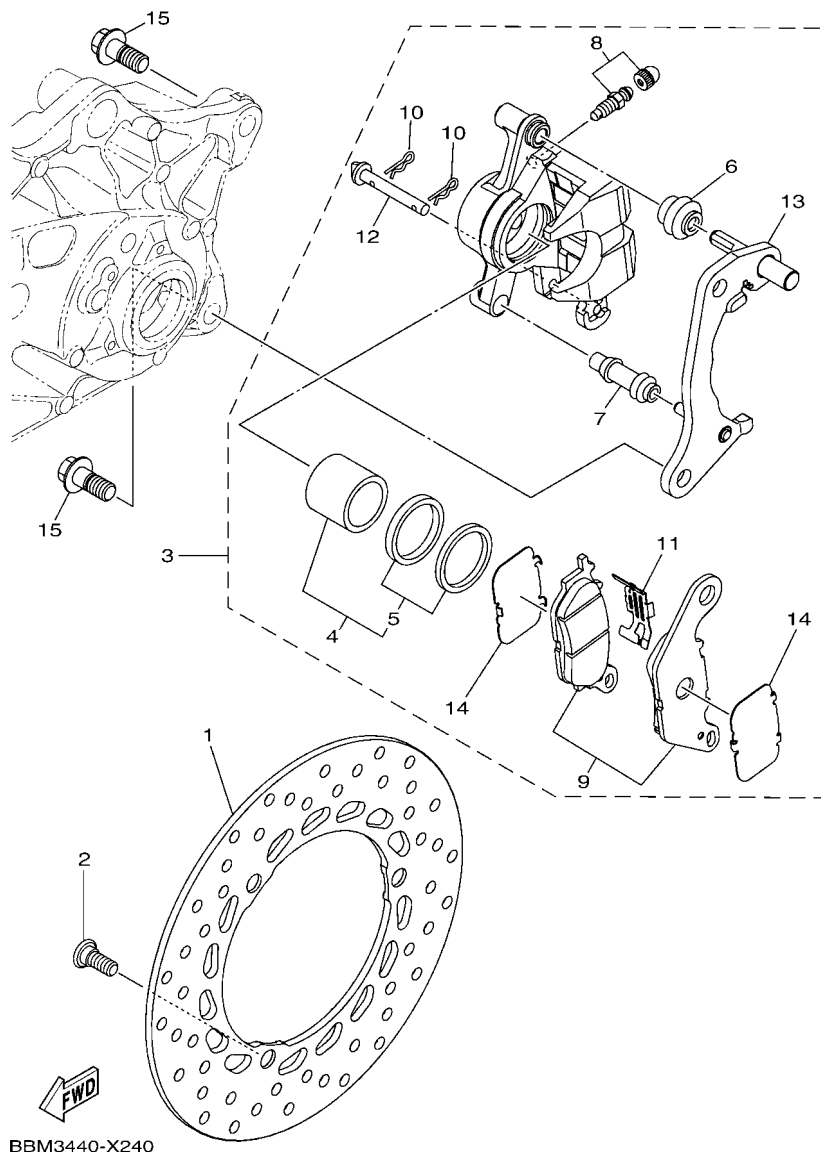
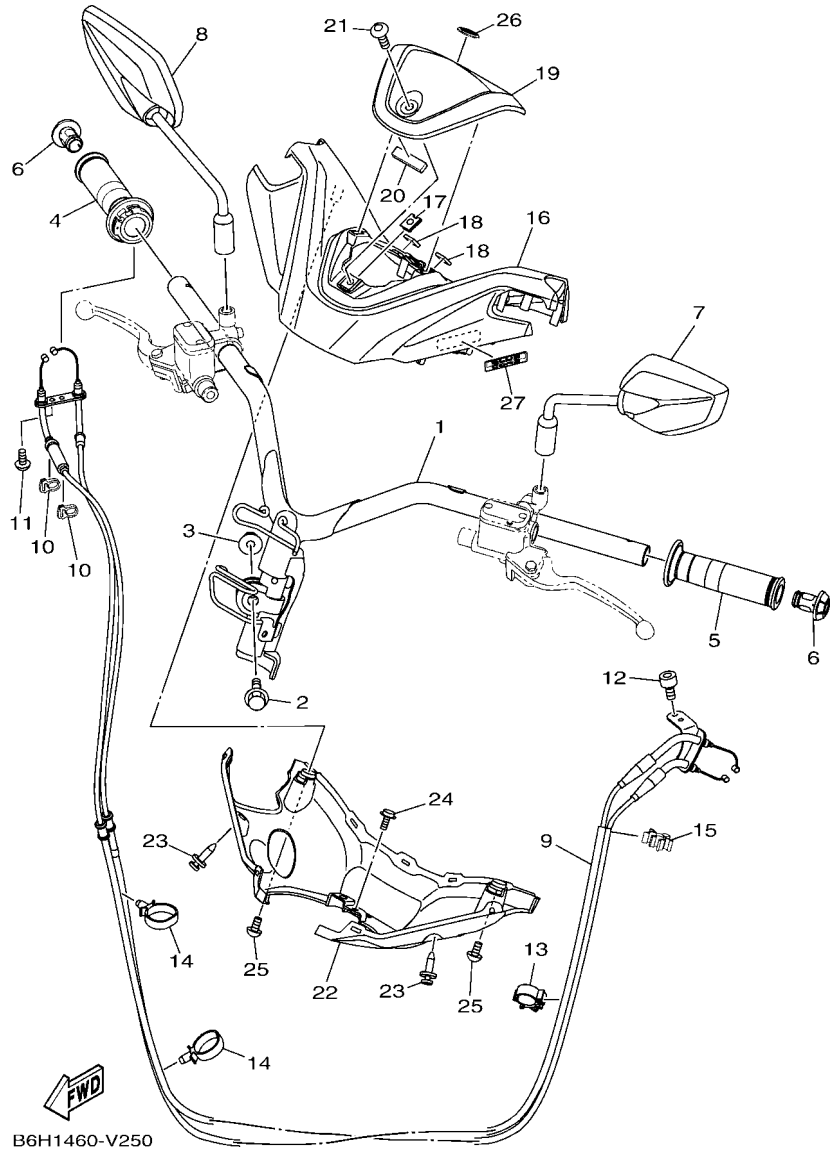


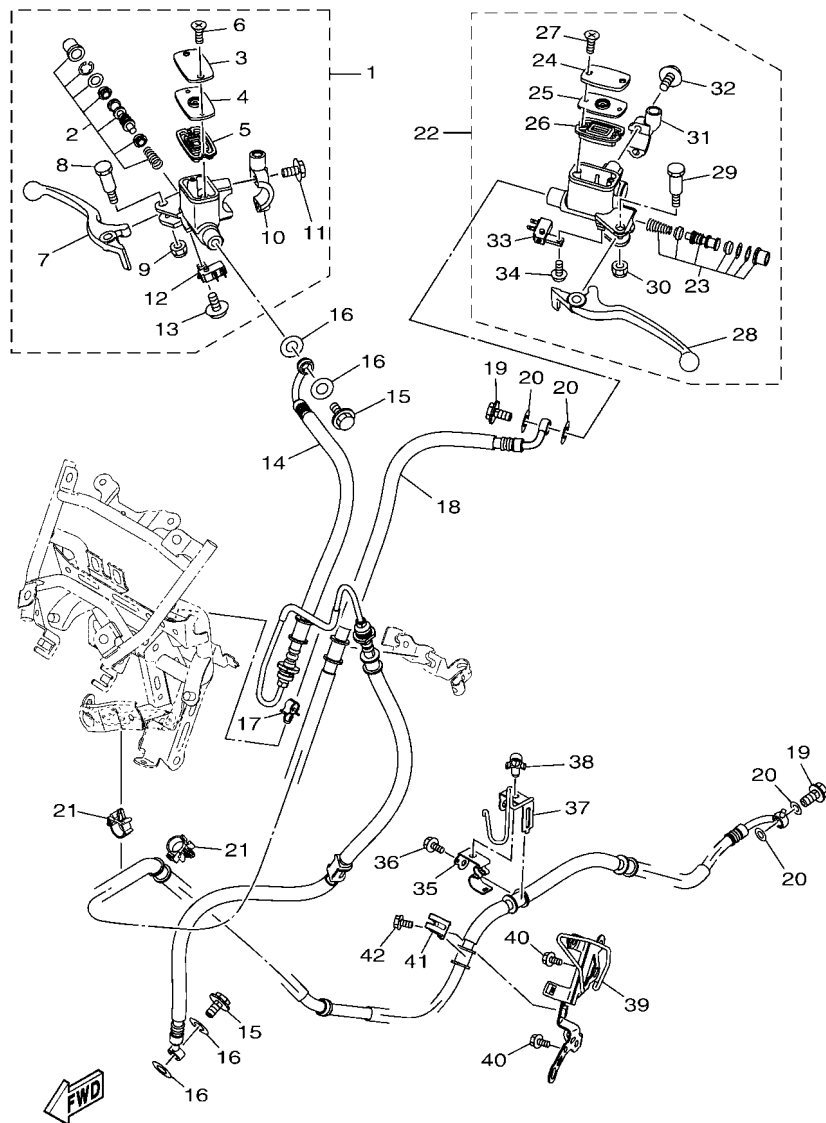
FIG. 24 REAR BRAKE CALIPER

REF. NO.	PART NO.	DESCRIPTION	BBM3	REMARKS
1	2DP-F582W-00	DISK, REAR BRAKE 2	1	
2	90109-08232	BOLT	3	
3	B6H-F580W-00	CALIPER ASSY, REAR 2	1	
4	5P0-F5802-00	.PISTON ASSY, CALIPER	1	
5	5YP-F5803-50	..CALIPER SEAL KIT	1	
6	5YP-F5917-00	..BOOT, CALIPER	1	
7	5YP-F5937-00	..BOOT 2	1	
8	4C9-W0048-00	..BLEED SCREW KIT	1	
9	B6H-F5805-00	..BRAKE PAD KIT	1	
10	5YP-F5925-01	..CLIP	2	
11	5P0-F5919-01	..SUPPORT, PAD	1	
12	5YP-F5924-00	..PIN, PAD	1	
13	2DP-F5920-50	..SUPT. BRKT. ASSY.	1	
14	5P0-F5827-00	..SHIM, CALIPER	2	
15	95812-10030	BOLT, FLANGE	2	

FIG. 25 STEERING HANDLE & CABLE



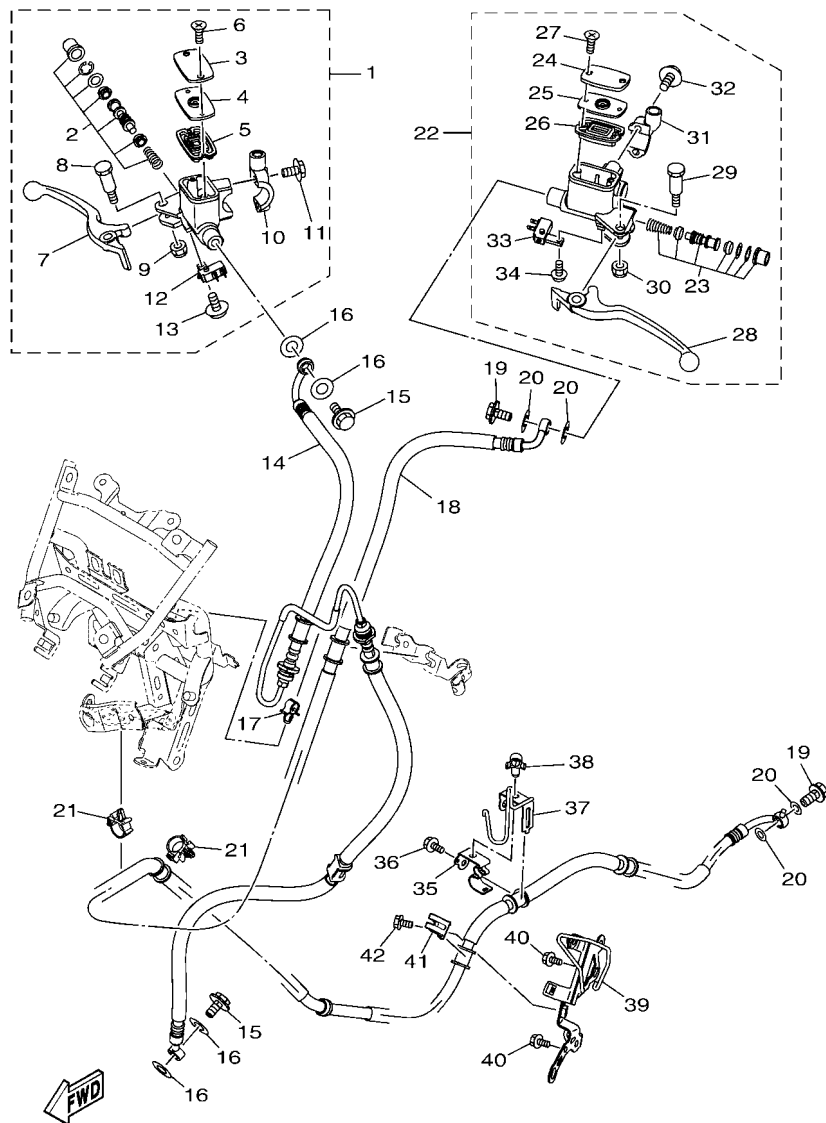
REF. NO.	PART NO.	DESCRIPTION	BBM3	REMARKS
1	B6H-F6110-01	HANDLE COMP.	1	
2	90105-108B0	BOLT, FLANGE	1	
3	90185-10011	NUT, SELF-LOCKING	1	
4	B6H-F6240-00	GRIP ASSY	1	
5	2DP-F6241-00	GRIP	1	
6	2PH-F6246-00	END, GRIP	2	
7	2DP-F6280-10	REAR VIEW MIRROR ASSY (LEFT)	1	
8	2DP-F6290-10	REAR VIEW MIRROR ASSY (RIGHT)	1	
9	B6H-F6301-10	THROTTLE CABLE ASSY	1	
10	90464-08009	CLAMP	2	
11	92017-05016	BOLT, BUTTON HEAD	1	
12	91312-05010	BOLT, HEXAGON SOCKET HEAD	2	
13	90464-16808	CLAMP	1	
14	90464-24230	CLAMP	2	
15	90464-07807	CLAMP	1	
16	B6H-F6143-00	COVER, HANDLE UPPER 1	1	
17	90183-06818	NUT, SPRING	1	
18	90520-02849	DAMPER, PLATE	2	
19	B6H-F6219-00-P1	EMBLEM	1	MNM3
20	90520-02014	DAMPER, PLATE	1	
21	90149-06104	SCREW	1	
22	B6H-F6144-00	COVER, HANDLEBAR LOWER 1	1	
23	90269-06816	RIVET	2	
24	90159-05032	SCREW, WITH WASHER	1	
25	90160-05014	SCREW, ROUND TAPPING	2	
26	5P2-F1737-00	EMBLEM	1	
27	B92-F1737-00	EMBLEM	1	



B6H1460-U270

FIG. 26 FRONT MASTER CYLINDER

REF. NO.	PART NO.	DESCRIPTION	BBM3				REMARKS
1	BBM-F583T-00	MASTER CYLINDER ASSY	1				
2	2DP-F5807-00	.CYLINDER KIT, MASTER	1				
3	5HV-F5852-00	.CAP, RESERVOIR	1				
4	5HV-F585B-10	.PLATE, DIAPHRAGM	1				
5	5HV-F5854-10	.DIAPHRAGM, RESERVOIR	1				
6	98707-04012	.SCREW, FLAT HEAD	2				
7	2DP-H3922-00	.LEVER 2	1				
8	2DP-F589F-00	.BOLT, LEVER	1				
9	95602-06100	.NUT, SELF-LOCKING	1				
10	2DP-F5867-10	.BRACKET, MASTER CYLINDER	1				
11	1S9-F6332-00	.BOLT	2				
12	B6H-H3980-00	.FRONT STOP SWITCH ASSY	1				
13	97602-04312	.SCREW, PAN HEAD WITH WASHER	1				
14	B6H-F5872-10	HOSE, BRAKE 1	1				
15	90401-10812	BOLT, UNION	2				
16	90201-10118	WASHER, PLATE	4				
17	90464-07805	CLAMP	1				
18	B6H-F5873-20	HOSE, BRAKE 2	1				
19	90401-10812	BOLT, UNION	2				
20	90201-10118	WASHER, PLATE	4				
21	90464-16808	CLAMP	2				
22	BBM-F583V-00	RR. MASTER CYLINDER ASSY.	1				
23	2DP-F5807-10	.CYLINDER KIT, MASTER	1				
24	5HV-F5852-00	.CAP, RESERVOIR	1				
25	5HV-F585B-10	.PLATE, DIAPHRAGM	1				
26	5HV-F5854-10	.DIAPHRAGM, RESERVOIR	1				
27	98707-04012	.SCREW, FLAT HEAD	2				

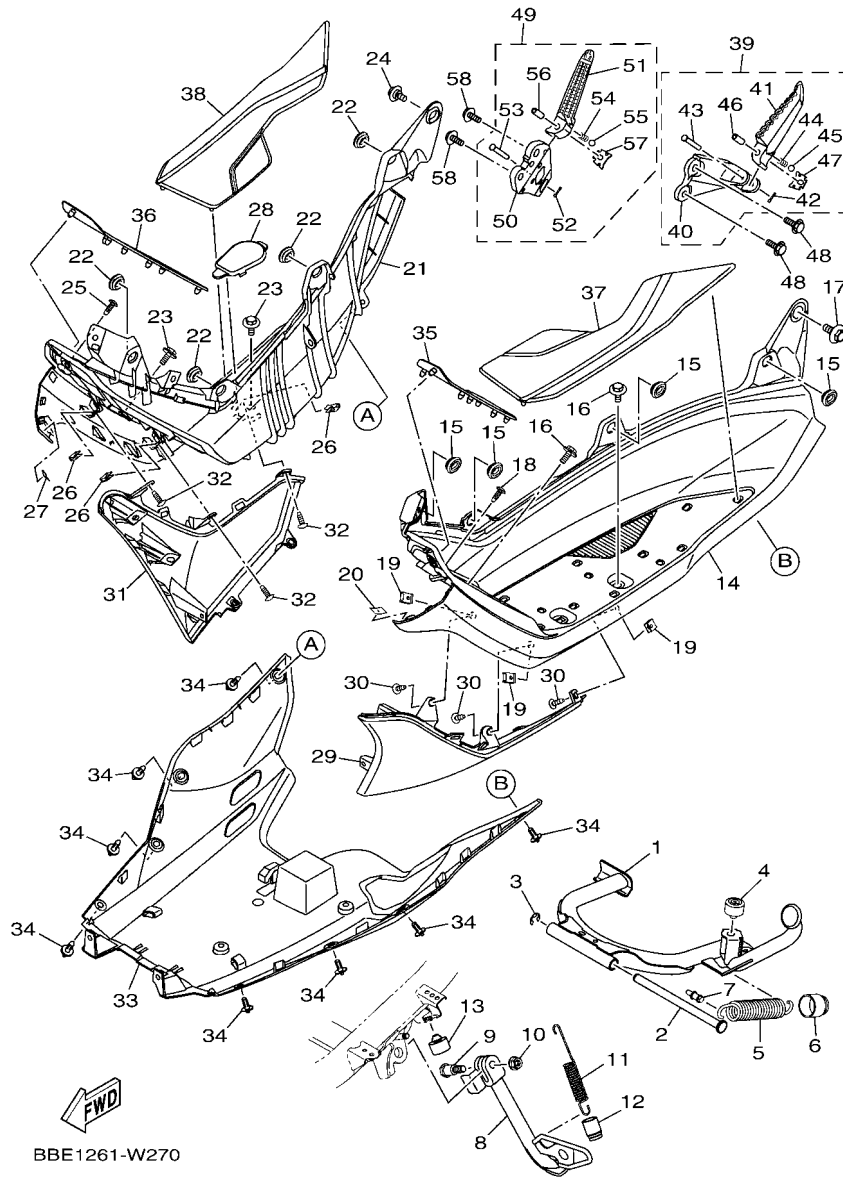


B6H1460-U270

FIG. 26 FRONT MASTER CYLINDER

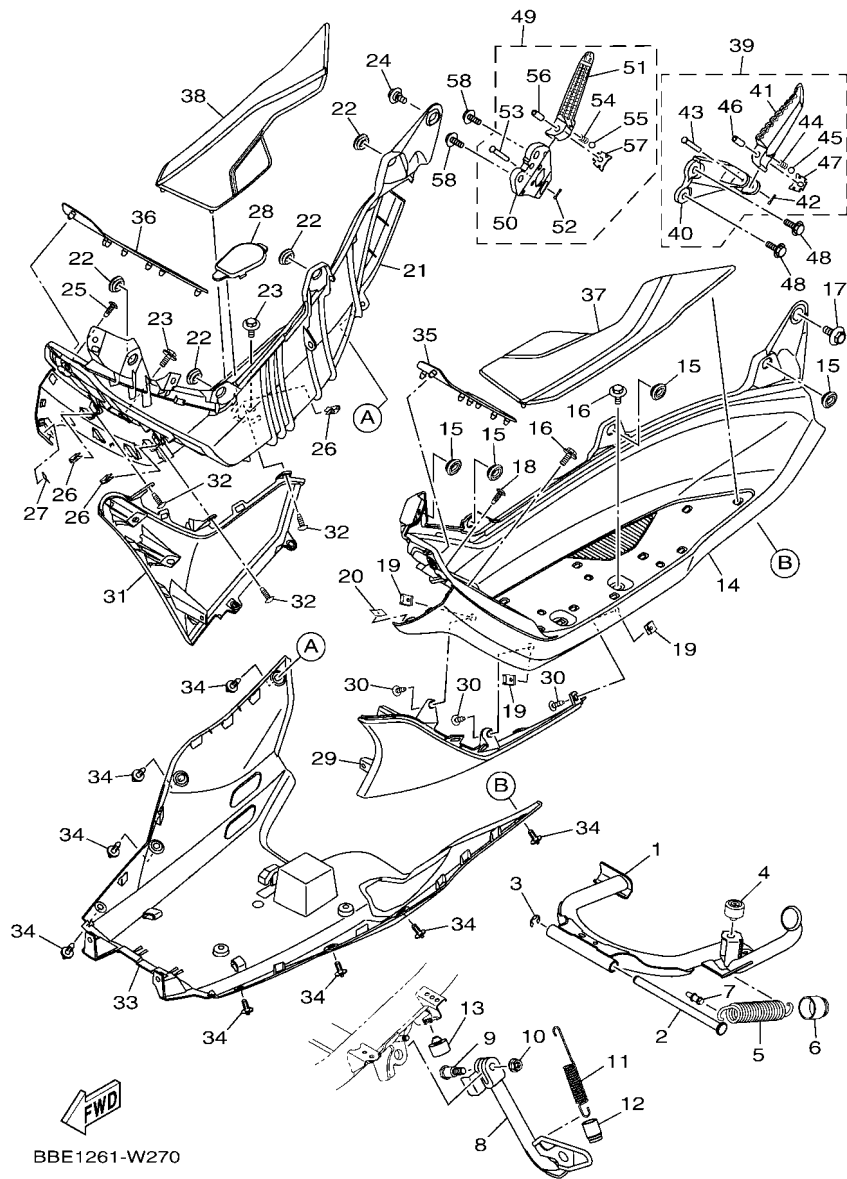
REF. NO.	PART NO.	DESCRIPTION	BBM3				REMARKS
28	2DP-H3912-00	.LEVER 1	1				
29	2DP-F589F-00	.BOLT, LEVER	1				
30	95602-06100	.NUT, SELF-LOCKING	1				
31	2DP-F5867-00	.BRACKET, MASTER CYLINDER	1				
32	1S9-F6332-00	.BOLT	2				
33	B6H-H2530-00	.STOP SWITCH ASSY	1				
34	97602-04312	.SCREW, PAN HEAD WITH WASHER	1				
35	B6H-F5887-00	HOLDER, BRAKE HOSE 3	1				
36	95D02-06012	BOLT, FLANGE DEEP RECESS	1				
37	B6H-F5522-00	HOLDER	1				
38	90464-07805	CLAMP	1				
39	B6H-F194U-00	STAY, IGNITION COIL	1				
40	95E32-06012	BOLT, FLANGE DEEP RECESS	2				
41	B6H-F587A-00	HOLDER, BRAKE HOSE 4	1				
42	95E32-06012	BOLT, FLANGE DEEP RECESS	1				

FIG. 27 STAND & FOOTREST



BBE1261-W270

REF. NO.	PART NO.	DESCRIPTION	BBM3	REMARKS
1	B6H-F7111-00	STAND, MAIN	1	
2	B6H-F7112-00	SHAFT, MAIN STAND	1	
3	99002-09600	CIRCLIP	1	
4	54P-F7114-00	STOPPER, MAIN STAND	1	
5	90506-40806	SPRING, TENSION	1	
6	B6H-F247A-00	HOSE 1	1	
7	1LB-F7254-00	HOOK	1	
8	B6H-F7311-01	STAND, SIDE	1	
9	B65-F7217-00	BOLT	1	UR EITHER CAN USE
	B63-F7217-00	BOLT	1	UR EITHER CAN USE
10	95602-10200	NUT, S/L FLANGE	1	
11	90506-20818	SPRING, TENSION	1	
12	B6H-F247B-00	HOSE 2	1	
13	54P-F7114-00	STOPPER, MAIN STAND	1	
14	B6H-F7481-00	BOARD, FOOTREST	1	
15	90480-01559	GROMMET	4	
16	90119-06235	BOLT, WITH WASHER	2	
17	90109-068B2	BOLT	1	
18	97702-50016	SCREW, TAPPING	1	
19	90183-05807	NUT, SPRING	3	
20	90520-02849	DAMPER, PLATE	1	
21	B6H-F7488-00	BOARD, FOOTREST 2	1	
22	90480-01559	GROMMET	4	
23	90119-06235	BOLT, WITH WASHER	2	
24	90109-068B2	BOLT	1	
25	97702-50016	SCREW, TAPPING	1	
26	90183-05807	NUT, SPRING	3	

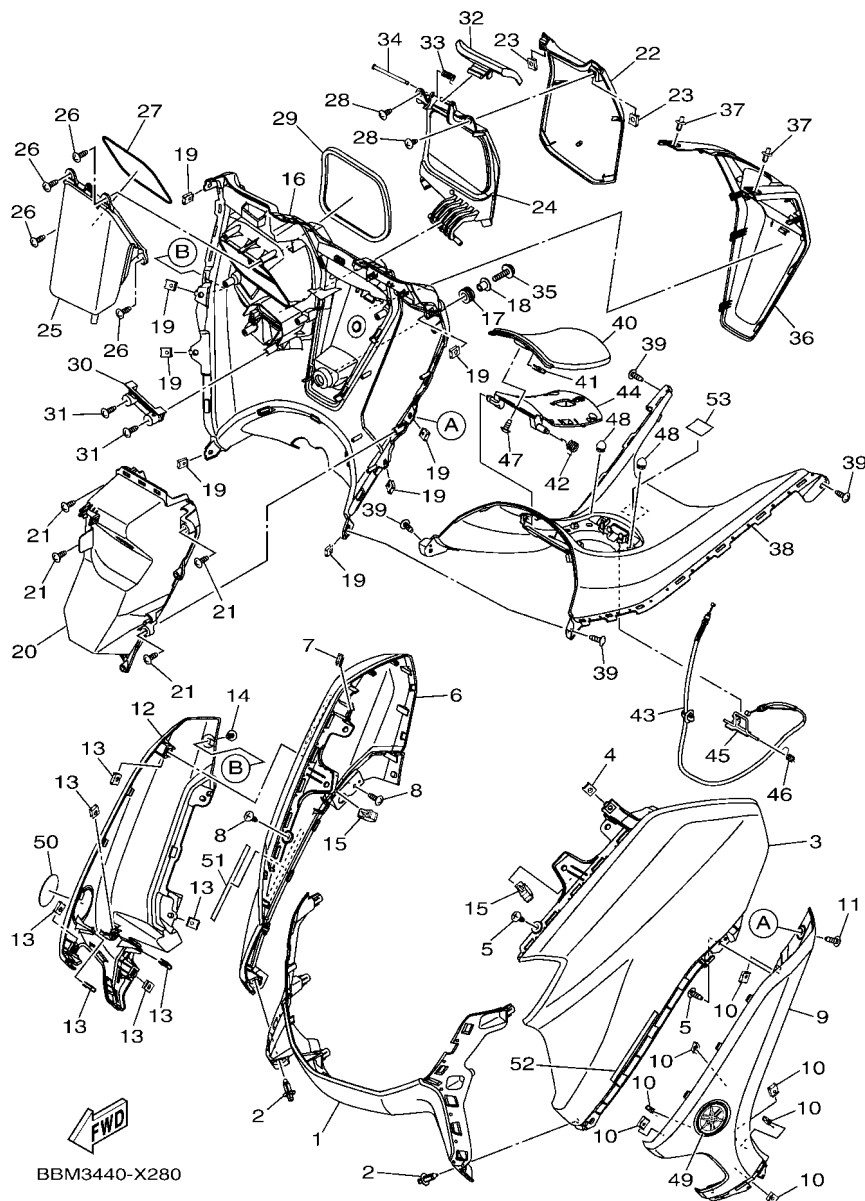


BBE1261-W270

FIG. 27 STAND & FOOTREST

REF. NO.	PART NO.	DESCRIPTION	BBM3	REMARKS
27	90520-02849	DAMPER, PLATE	1	
28	2DP-F172W-01	COVER	1	
29	B6H-F171L-00-P4	MOLE, SIDE COVER 1	1	UR FOR MDPBM5
	B6H-F171L-00-PB	MOLE, SIDE COVER 1	1	UR FOR MDBNM4
30	97702-50016	SCREW, TAPPING	3	
31	B6H-F171M-00-P4	MOLE, SIDE COVER 2	1	UR FOR MDPBM5
	B6H-F171M-00-PB	MOLE, SIDE COVER 2	1	UR FOR MDBNM4
32	97702-50016	SCREW, TAPPING	3	
33	B6H-F8385-01	COVER, LOWER	1	
34	90269-06816	RIVET	8	
35	B6H-F7483-00	MAT 1	1	
36	B6H-F7484-00	MAT 2	1	
37	B6H-F7493-00	MAT 3	1	
38	B6H-F7494-00	MAT 4	1	
39	B6H-F7430-10	REAR FOOTREST ASSY 1	1	
40	B6H-F741L-10	.BRACKET 4	1	
41	2DP-F7431-01	.FOOTREST, REAR 1	1	
42	91402-20012	.PIN, COTTER	1	
43	91702-06038	.PIN, CLEVIS	1	
44	90501-12743	.SPRING, COMPRESSION	1	
45	93501-04830	.BALL	1	
46	90387-064H8	.COLLAR	1	
47	2DP-F7437-01	.WASHER, SPECIAL	1	
48	95E32-08020	BOLT, FLANGE DEEP RECESS	2	
49	B6H-F7440-10	REAR FOOTREST ASSY 2	1	
50	B6H-F742L-10	.BRACKET 5	1	
51	2DP-F7441-01	.FOOTREST, REAR 2	1	

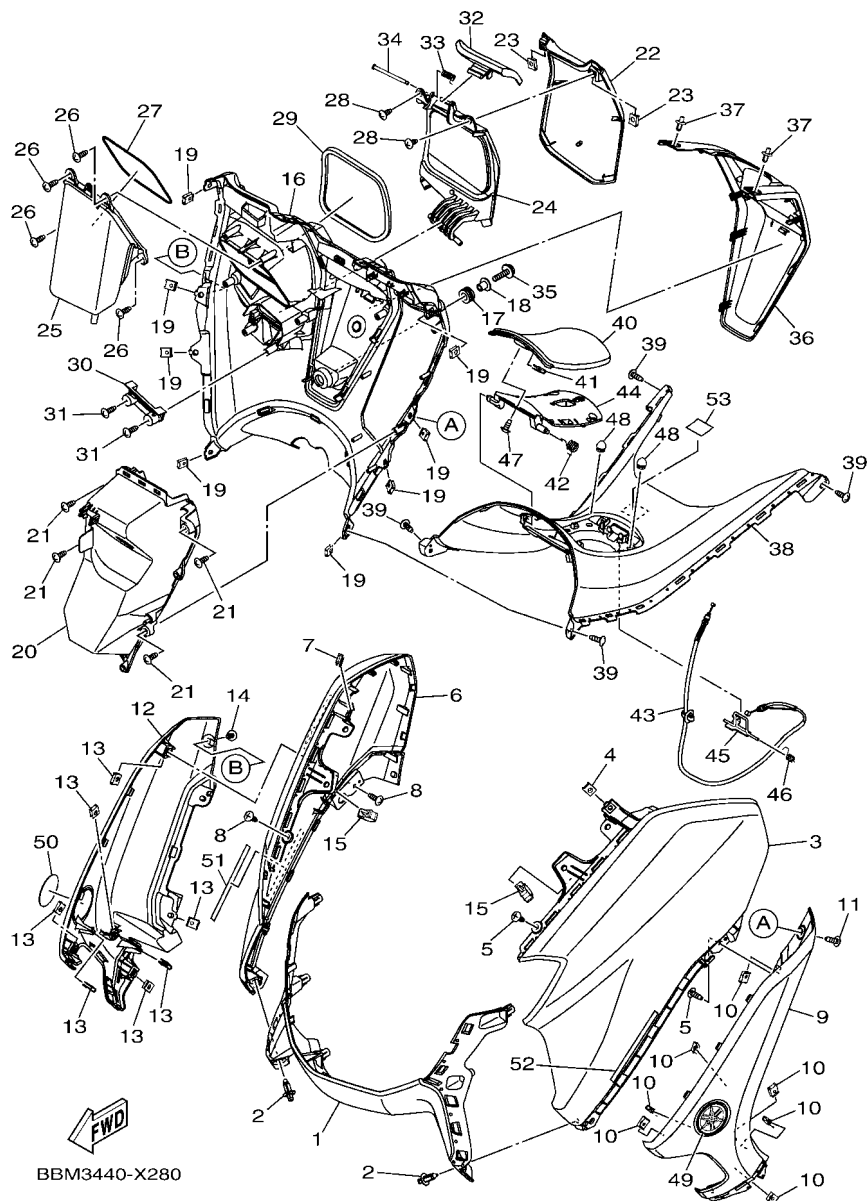
FIG. 28 LEG SHIELD



BBM3440-X280

REF. NO.	PART NO.	DESCRIPTION	BBM3			REMARKS
1	B6H-F286F-00-P4	COVER, FRONT 2	1			UR FOR MDPBM5
	B6H-F286F-00-PB	COVER, FRONT 2	1			UR FOR MDBNM4
2	90269-06816	RIVET	2			
3	B6H-F8351-00-P4	BODY, COWLING	1			UR FOR MDPBM5
	B6H-F8351-00-PB	BODY, COWLING	1			UR FOR MDBNM4
4	90183-05807	NUT, SPRING	1			
5	97702-50016	SCREW, TAPPING	2			
6	B6H-F8377-00-P4	BODY, COWLING 2	1			UR FOR MDPBM5
	B6H-F8377-00-PB	BODY, COWLING 2	1			UR FOR MDBNM4
7	90183-05807	NUT, SPRING	1			
8	97702-50016	SCREW, TAPPING	2			
9	B6H-F835U-00	PANEL 1	1			
10	90183-05807	NUT, SPRING	7			
11	90160-05009	SCREW, ROUND TAPPING	1			
12	B6H-F835V-00	PANEL 2	1			
13	90183-05807	NUT, SPRING	7			
14	90160-05009	SCREW, ROUND TAPPING	1			
15	90464-16808	CLAMP	2			
16	B6H-F8311-00	LEG SHIELD 1	1			
17	90480-14825	GROMMET	1			
18	90387-07391	COLLAR	1			
19	90183-05807	NUT, SPRING	8			
20	B6H-F836K-00	PANEL, INNER 1	1			
21	97702-50016	SCREW, TAPPING	4			
22	B6H-F177E-00	LID	1			
23	90183-05807	NUT, SPRING	2			
24	B6H-F8321-00	STAY 1	1			

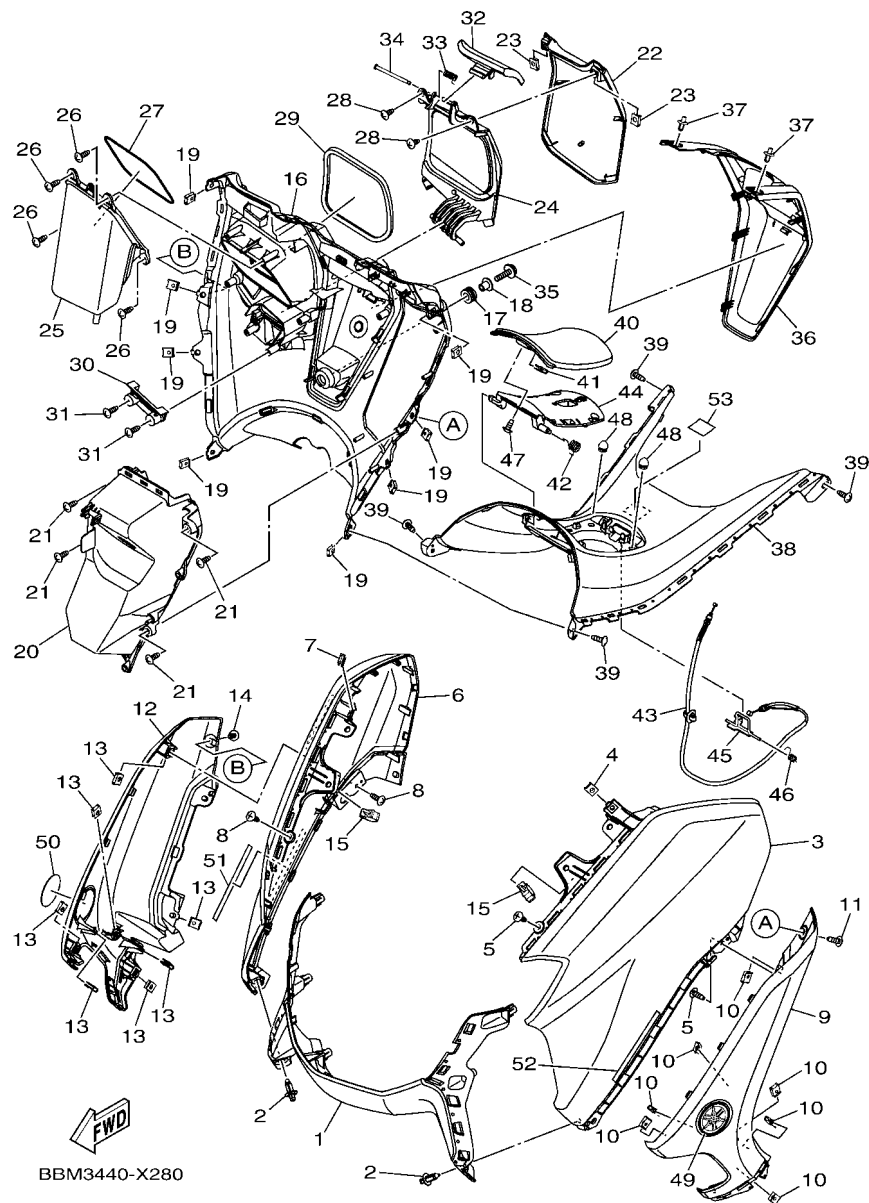
FIG. 28 LEG SHIELD



BBM3440-X280

REF. NO.	PART NO.	DESCRIPTION	BBM3	REMARKS
25	B6H-F838K-01	BOX 1	1	
26	97702-50016	SCREW,TAPPING	4	
27	B6H-F838M-00	SEAL, BOX 1	1	
28	97707-50012	SCREW, TRUSS HEAD TAPPING	2	
29	90520-06817	DAMPER, PLATE	1	
30	B6H-F1796-01	HINGE	1	
31	97702-50016	SCREW,TAPPING	2	
32	B6H-F836X-00	KNOB, 1	1	
33	90508-12800	SPRING, TORSION	1	
34	90249-03017	PIN	1	
35	95D32-06025	BOLT, FLANGE DEEP RECESS	1	
36	B6H-F8312-00-P1	LEG SHIELD 2	1	MNM3
37	90269-06816	RIVET	2	
38	B6H-F842M-00	COVER 1	1	
39	97702-50016	SCREW,TAPPING	4	
40	B6H-F74A8-00	LID, FUEL	1	
41	90183-05807	NUT, SPRING	1	
42	B6H-F7426-00	SPRING, RETURN	1	
43	B6H-F4494-10	WIRE, PULL	1	
44	B6H-F839K-01	LID 1	1	
45	B6H-F131C-00	BAR LOCK	1	
46	B6H-F7456-00	SPRING, RETURN	1	
47	97707-50012	SCREW, TRUSS HEAD TAPPING	1	
48	90338-07018	PLUG	2	
49	2DP-F413B-00	EMBLEM	1	
50	2DP-F413B-00	EMBLEM	1	
51	B6H-F8315-21	EMBLEM	1	UR FOR MDPBM5

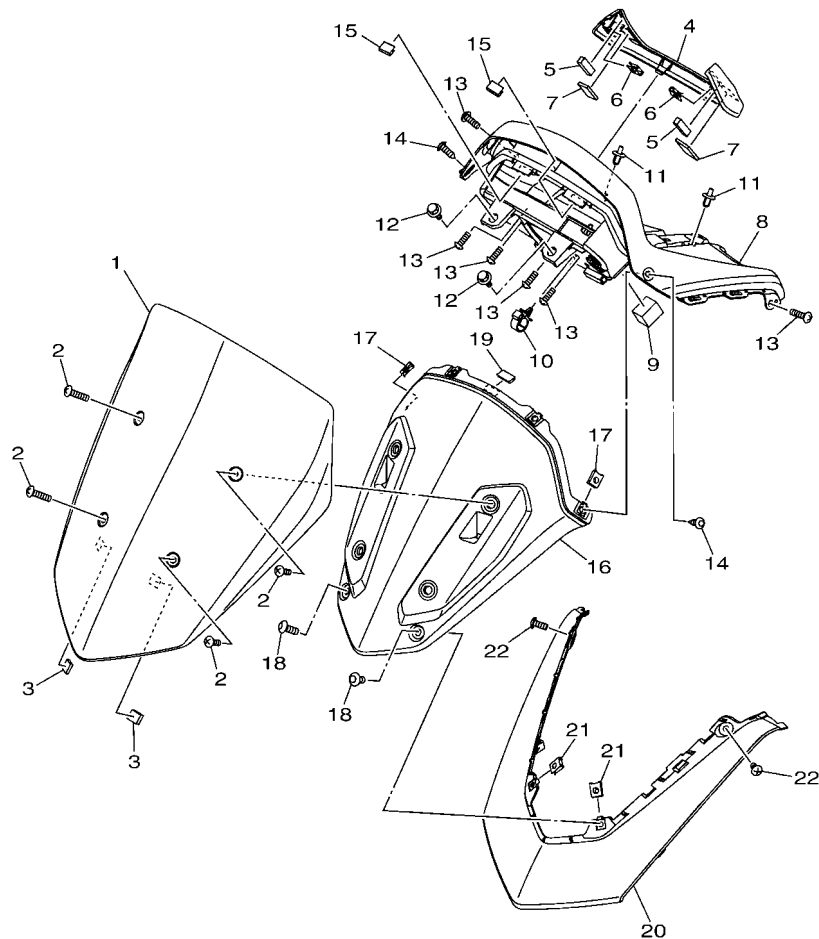
FIG. 28 LEG SHIELD



BBM3440-X280

REF. NO.	PART NO.	DESCRIPTION	BBM3			REMARKS
51	B6H-F8315-71	EMBLEM	1			UR FOR MDBNM4
52	B6H-F8328-21	EMBLEM	1			UR FOR MDPBM5
	B6H-F8328-71	EMBLEM	1			UR FOR MDBNM4
53	BBM-F1568-00	LABEL, WARNING	1			
<hr/>						
<hr/>						
<hr/>						
<hr/>						
<hr/>						
<hr/>						
<hr/>						
<hr/>						
<hr/>						
<hr/>						

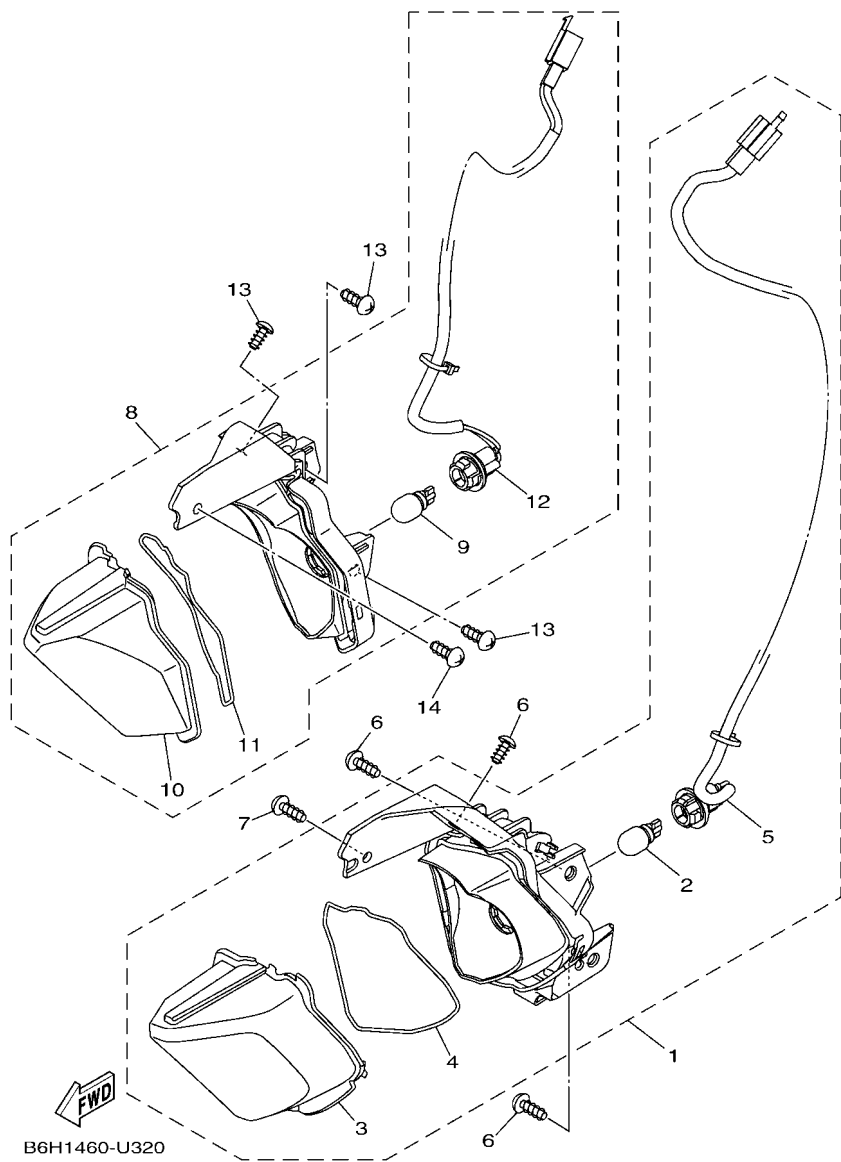
FIG. 29 WINDSHIELD




BBM3440-X290

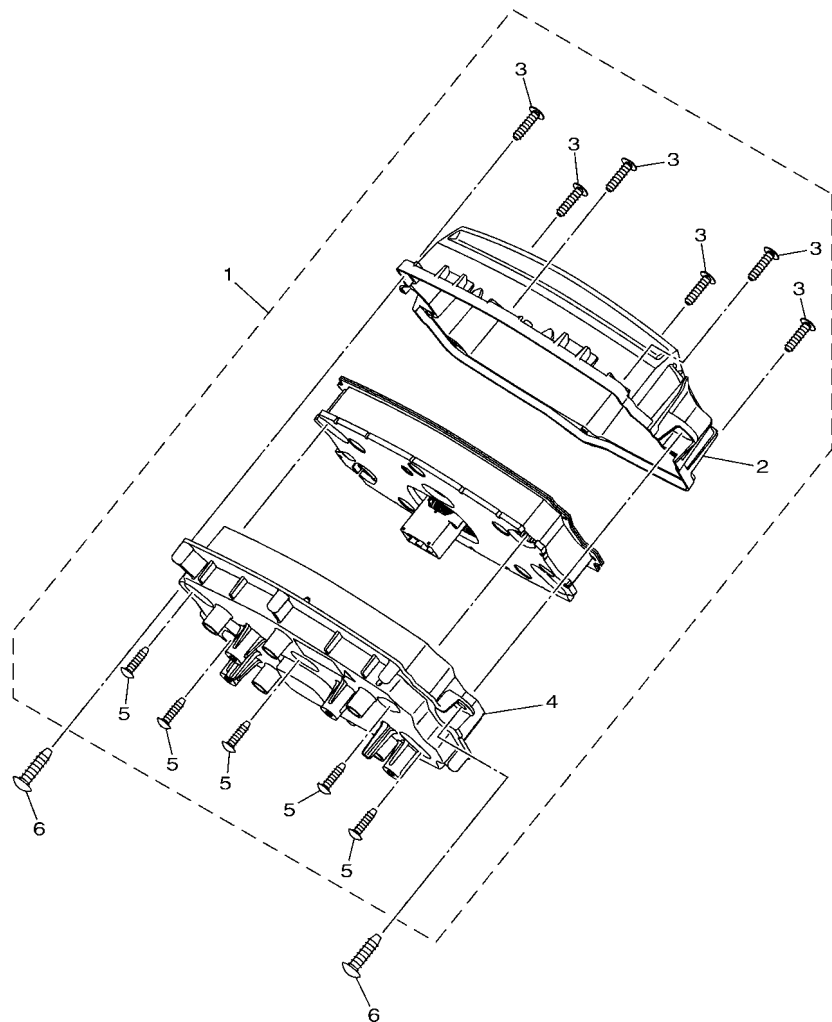
REF. NO.	PART NO.	DESCRIPTION	BBM3	REMARKS
1	B1T-F61AA-00	VISOR	1	
2	90150-05008	SCREW, ROUND HEAD	4	
3	90520-02849	DAMPER, PLATE	2	
4	B6H-H3559-00-P1	COVER, METER	1	MNM3
5	90520-10859	DAMPER, PLATE	2	
6	90183-05807	NUT, SPRING	2	
7	90520-02850	DAMPER, PLATE	2	
8	B6H-F837L-00	PANEL, CONSOLE 1	1	
9	90520-20800	DAMPER, PLATE	1	
10	90464-16808	CLAMP	1	
11	90269-06816	RIVET	2	
12	90109-068B2	BOLT	2	
13	97702-50016	SCREW, TAPPING	6	
14	90160-05009	SCREW, ROUND TAPPING	2	
15	B6H-F8428-00	SEAL 1	2	
16	B6H-F837M-00	PANEL, CONSOLE 2	1	
17	90183-05807	NUT, SPRING	2	
18	90160-05009	SCREW, ROUND TAPPING	2	
19	B6H-F8428-00	SEAL 1	1	
20	B6H-F2865-00-P4	COVER, FRONT	1	UR FOR MDPBM5
	B6H-F2865-00-PB	COVER, FRONT	1	UR FOR MDBNM4
21	90183-05807	NUT, SPRING	2	
22	97702-50016	SCREW, TAPPING	2	

FIG. 31 FLASHER LIGHT



REF. NO.	PART NO.	DESCRIPTION	BBM3				REMARKS
1	B6H-H3310-01	FRONT FLASHER LIGHT ASSY 1	1				
2	2CB-H3311-00	.BULB, FLASHER (12V-10W)	1				
3	B6H-H3312-00	.LENS, FLASHER	1				
4	B6H-H4723-00	.GASKET, TAIL LENS	1				
5	B6H-H4140-01	.SOCKET CORD ASSY	1				
6	97702-50014	SCREW, TAPPING	3				
7	97707-50016	SCREW, TRUSS HEAD TAPPING	1				
8	B6H-H3320-01	FRONT FLASHER LIGHT ASSY 2	1				
9	2CB-H3311-00	.BULB, FLASHER (12V-10W)	1				
10	B6H-H3322-00	.LENS, FLASHER 2	1				
11	B6H-H4723-00	.GASKET, TAIL LENS	1				
12	B6H-H4150-01	.SOCKET CORD ASSY 2	1				
13	97702-50014	SCREW, TAPPING	3				
14	97707-50016	SCREW, TRUSS HEAD TAPPING	1				

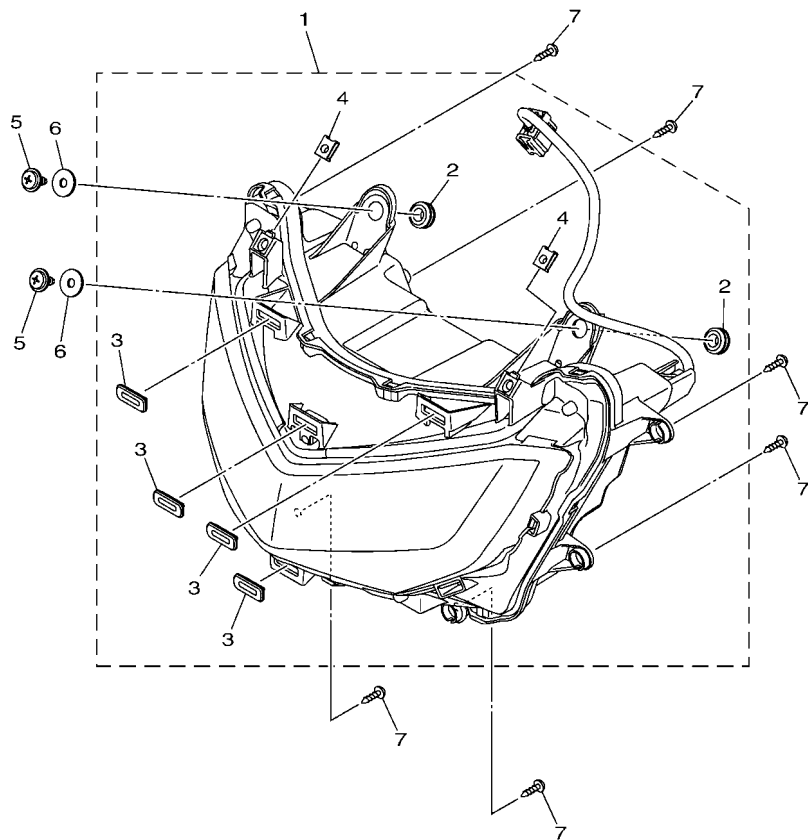
FIG. 32 METER



 B6H1460-V330

REF. NO.	PART NO.	DESCRIPTION	BBM3	REMARKS
1	B6H-H3510-52	SPEEDOMETER ASSY	1	
2	B6H-H3511-01	.LENS, SPEEDOMETER	1	
3	97707-30014	.SCREW, TAPPING	6	
4	B6H-H3572-01	.CASE, SPEEDOMETER LOWER	1	
5	97702-30016	.SCREW, TAPPING	5	
6	97702-50016	SCREW, TAPPING	2	

FIG. 33 HEADLIGHT

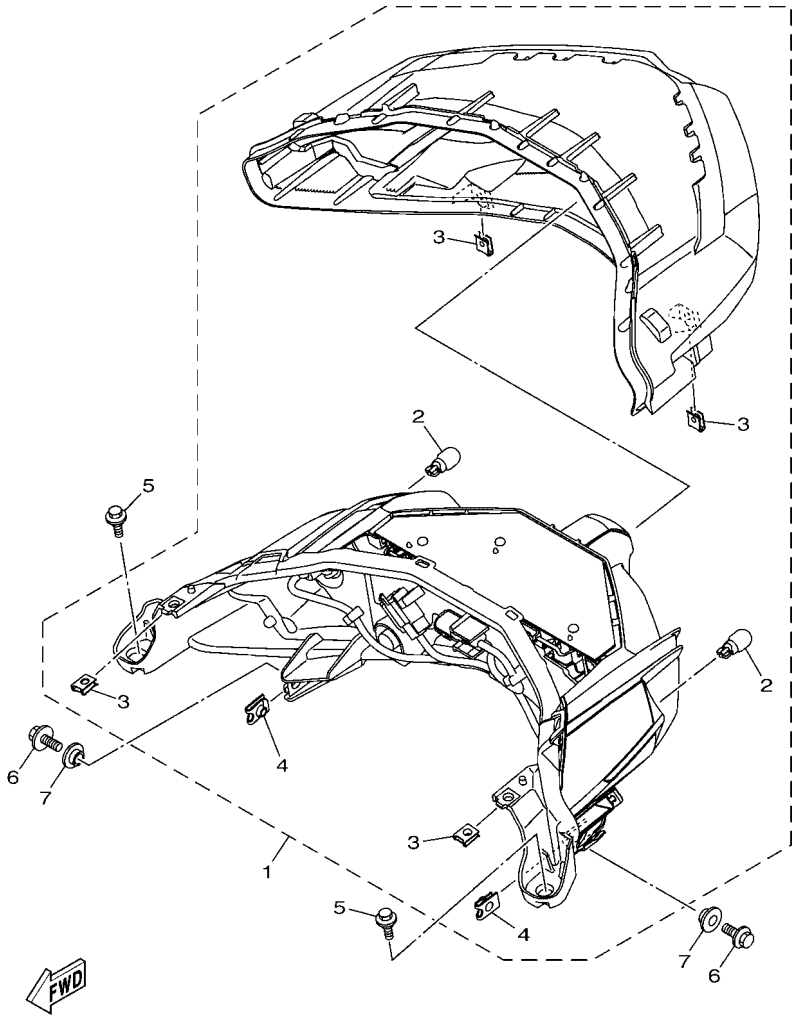


REF. NO.	PART NO.	DESCRIPTION	BBM3				REMARKS
1	B6H-H4300-10	HEADLIGHT ASSY	1				
2	90480-13018	.GROMMET	2				
3	50C-F6326-00	.GROMMET	4				
4	90183-05807	.NUT, SPRING	2				
5	90159-06817	SCREW, WITH WASHER	2				
6	90201-06828	WASHER, PLATE	2				
7	97702-50016	SCREW, TAPPING	6				



B6H1460-U340

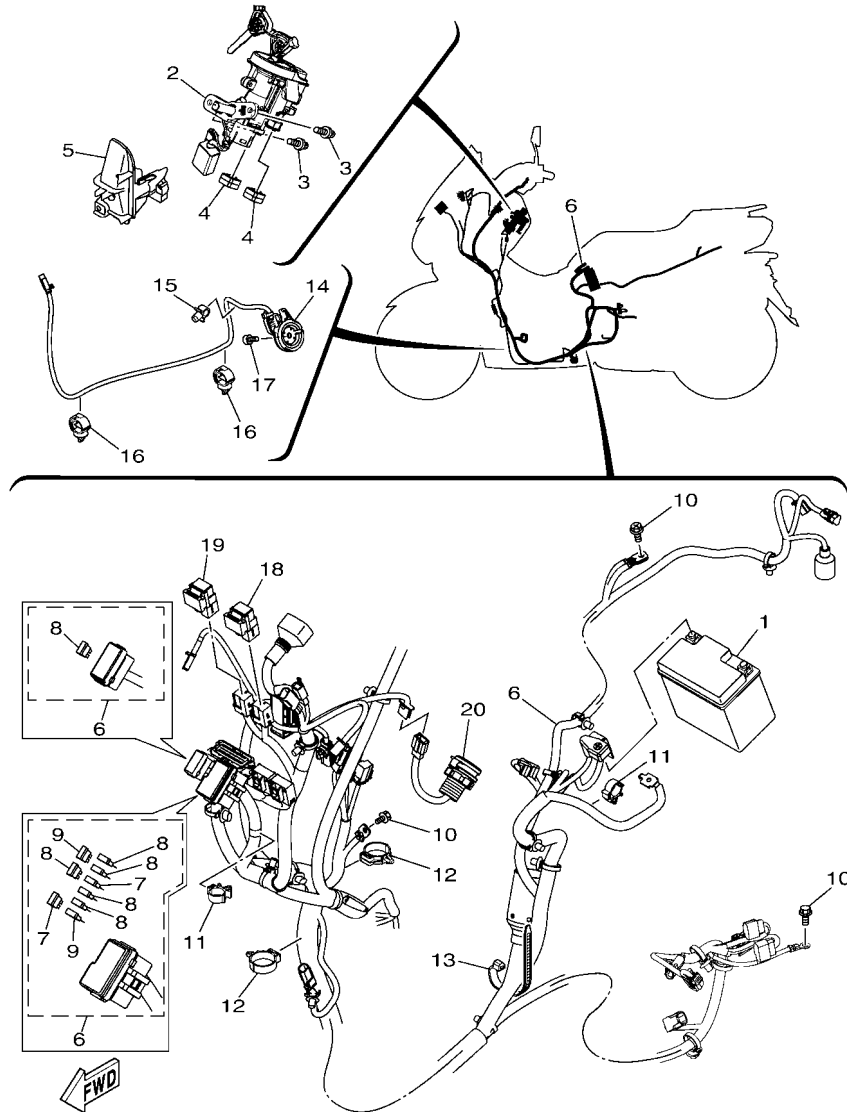
FIG. 34 TAILLIGHT



B6H4450-V350

REF. NO.	PART NO.	DESCRIPTION	BBM3					REMARKS
1	B6H-H4710-00	TAILLIGHT UNIT ASSY	1					
2	2CB-H3311-00	.BULB, FLASHER (12V-10W)	2					
3	90183-05807	.NUT, SPRING	4					
4	90183-06818	.NUT, SPRING	2					
5	90109-068B2	BOLT	2					
6	95822-06016	BOLT, FLANGE	2					
7	90387-068T3	COLLAR	2					

FIG. 36 ELECTRICAL 1



B6H1460-U380

REF. NO.	PART NO.	DESCRIPTION	BBM3	REMARKS
1	BBM-H2100-00	BATTERY ASSY (YUASA YTZ6V)	1	
2	B6H-H252E-01	MAIN SWITCH COMP.	1	
3	90109-068D5	BOLT	2	
4	90464-09806	CLAMP	2	
5	B6H-H2568-01	COVER, MAIN SWITCH	1	
6	B6H-H2590-30	WIRE HARNESS ASSY	1	
7	B65-H2151-60	.FUSE (30A)	2	
8	B65-H2151-00	.FUSE (7.5A)	6	
9	B65-H2151-90	.FUSE(5A)	2	
10	95E32-06012	BOLT, FLANGE DEEP RECESS	3	
11	90464-16808	CLAMP	2	
12	90464-30001	CLAMP	2	
13	90464-65801	CLAMP	1	
14	B8A-H2566-00	SWITCH, SIDE STAND	1	
15	90464-07805	CLAMP	1	
16	90464-13249	CLAMP	2	
17	90110-06881	BOLT, HEXAGON SOCKET HEAD	1	
18	BK6-H1950-00	RELAY ASSY	1	UR EITHER CAN USE
	2PH-H1940-11	STARTER RELAY ASSY	1	UR EITHER CAN USE
19	B3F-H1950-10	RELAY ASSY	1	UR EITHER CAN USE
	B63-H1950-10	RELAY ASSY	1	UR EITHER CAN USE
20	B6H-H254B-00	TERMINAL COMP.	1	

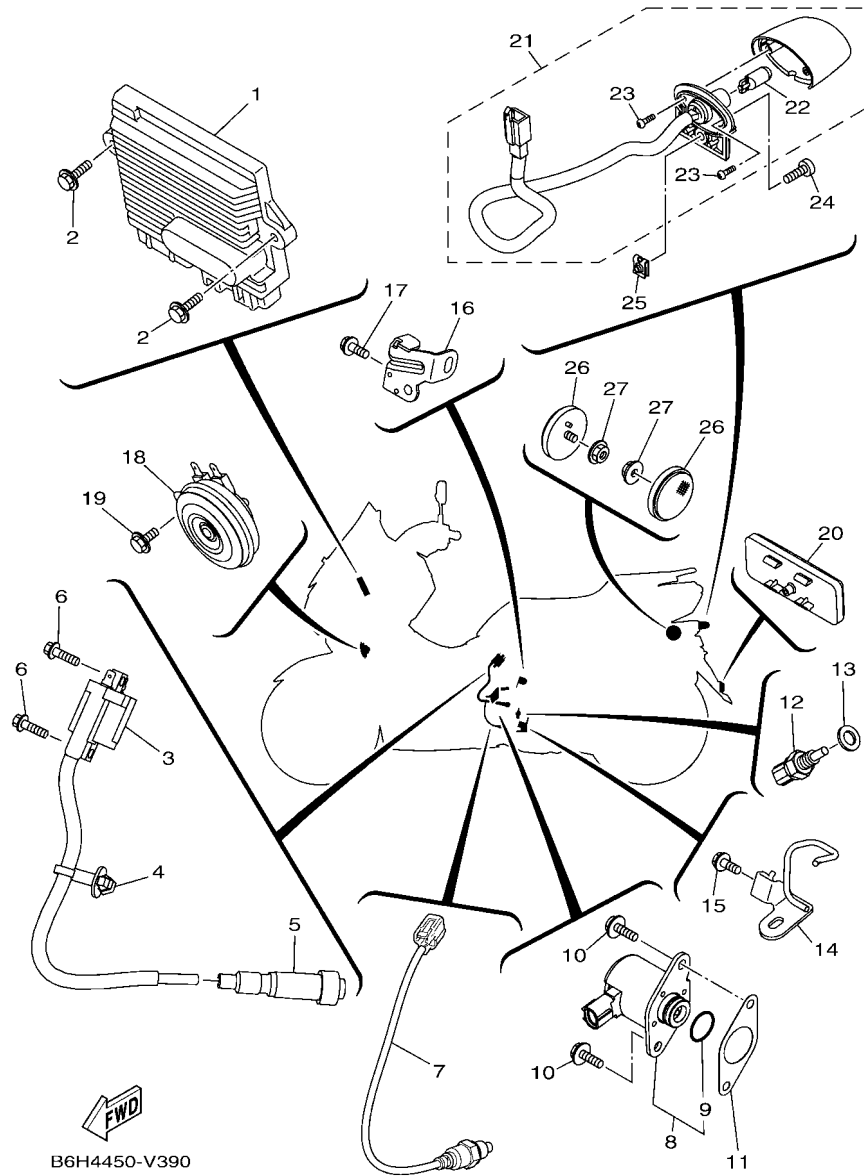


FIG. 37 ELECTRICAL 2

REF. NO.	PART NO.	DESCRIPTION	BBM3	REMARKS
1	BBM-H594A-01	STARTER GEN. CONT. UNIT ASSY	1	
2	95D32-06020	BOLT, FLANGE DEEP RECESS	2	
3	B6H-H2310-01	IGNITION COIL ASSY	1	
4	90464-14809	CLAMP	1	
5	BK6-H2370-00	PLUG CAP ASSY	1	
6	95E32-06020	BOLT, FLANGE DEEP RECESS	2	
7	2DP-H592A-20	SENSOR, OXYGEN	1	
8	BK6-H6110-10	SOLENOID	1	
9	BK6-H1847-00	.O-RING	1	
10	95D32-06016	BOLT, FLANGE DEEP RECESS	2	
11	2DP-H1861-00	GASKET	1	
12	52B-H3591-00	THERMO UNIT	1	
13	90430-10806	GASKET	1	
14	B6H-E5142-00	GUIDE 1	1	
15	95E37-06012	BOLT, FLANGE DEEP RECESS	1	
16	B6H-E5143-00	GUIDE 2	1	
17	95E37-06012	BOLT, FLANGE DEEP RECESS	1	
18	B6H-H3371-00	HORN	1	
19	95D02-06012	BOLT, FLANGE DEEP RECESS	1	
20	54P-H5130-00	REAR REFLECTOR ASSY	1	
21	B6H-H4740-00	LICENSE LIGHT ASSY	1	
22	2ND-H4744-00	.BULB (12V-5W)	1	
23	1CK-H4726-00	.SCREW	2	
24	98907-04014	SCREW, BIND	1	
25	90183-04039	NUT, SPRING	1	
26	2FC-H5111-00	REFLECTOR, 1	2	
27	95707-05500	NUT, FLANGE	2	

NUMERICAL INDEX

PART NO.	REF. NO.	PART NO.	REF. NO.	PART NO.	REF. NO.	PART NO.	REF. NO.	PART NO.	REF. NO.	PART NO.	REF. NO.
52S-12439-00	6 - 2	BB8-E2226-00	3 - 11	B6H-E4412-10	8 - 21	2DP-E7211-20	13 - 4	B6H-F171X-00	16 - 11	2DP-F3136-00	18 - 19
3Y6-23114-00	18 - 15	1DB-E2228-00	4 - 10	B6H-E4435-00	8 - 31	2DP-E7410-01	13 - 1	B6H-F1721-00-P4	16 - 5	B6H-F3141-00	18 - 14
	18 - 31	B65-E2231-00	4 - 8	B6H-E4437-00	8 - 22	2DP-E7410-10	13 - 1	B6H-F1721-00-PB	16 - 5		18 - 30
2K5-23152-00	18 - 9	B6H-E2241-00	4 - 9	4ST-E443E-00	11 - 6	2DP-E7410-20	13 - 1	2DP-F172W-01	27 - 28	3HB-F3144-00	18 - 6
	18 - 25	2DP-E2279-00	3 - 12	5TL-E443E-00	8 - 27	2DP-E7410-31	13 - 1	B6H-F1731-00-P3	16 - 18		18 - 22
B6H-E1102-00	1 - 1	B63-E2279-00	3 - 12	B5D-E443G-00	8 - 28	B6H-E7421-00	13 - 3	B6H-F1731-00-P5	16 - 18	3HB-F3145-00	18 - 4
2DP-E111F-00	3 - 18	B6H-E2280-10	4 - 4	B74-E4449-00	8 - 30	2DP-E7465-00	12 - 15	5P2-F1737-00	25 - 26		18 - 20
B63-E111F-00	3 - 18	2DP-E2288-00	4 - 5	B6H-E4451-00	8 - 24	2DP-E7465-10	12 - 16	B92-F1737-00	25 - 27	2DP-F3153-00	18 - 17
2DP-E1133-10	1 - 2	B6H-E2288-01	4 - 5	B6H-E4452-10	8 - 25	2DP-E7611-00	12 - 7	B6H-F173B-00	16 - 34		18 - 33
2DP-E1165-00	1 - 8	B63-E22A2-00	6 - 6	B6H-E4453-00	8 - 23	BBP-E7620-00	12 - 1		16 - 35	3V3-F3156-00	18 - 5
B6H-E1166-00	8 - 35	B6H-E240A-01	6 - 4	2DP-E4613-00	9 - 4	2DP-E7623-00	12 - 4	B6H-F173B-50	16 - 34		18 - 21
2DP-E1191-00	1 - 9	2DP-E2410-00	6 - 1	BK7-E4613-00	9 - 4	BBP-E7632-00	12 - 3		16 - 35	2DP-F3157-00	18 - 10
2DP-E1181-00	1 - 21	B6H-E2422-00	5 - 1	B1T-E4711-10	9 - 1	B8R-E7641-00	12 - 26	B6H-F173E-20	16 - 36		18 - 26
B6H-E1185-00	5 - 4	B63-E2439-00	6 - 7	B6H-E4718-00	9 - 2	44D-E7653-00	12 - 5		16 - 37	2BU-F3158-00	18 - 12
2DP-E1191-00	1 - 7	B6H-E2439-00	5 - 3	B6H-E4718-00	9 - 2	B6H-E7660-00	12 - 13	BV4-F173E-90	16 - 36		18 - 28
B3F-E1193-00	1 - 15	B6H-E2450-00	5 - 5	B6H-E5142-00	37 - 14	B74-E7664-00	12 - 17		16 - 37	2DP-F3170-00	18 - 8
B6H-E1311-00	1 - 25	B65-E2462-02	6 - 5	B6H-E5143-00	37 - 16	B6H-E7668-00	12 - 17	B6H-F1741-00-P3	16 - 21		18 - 24
2DP-E132G-00	1 - 13	B6H-E2467-00	6 - 25	B6H-E5150-00	10 - 1	2DP-E7668-00	12 - 21	B6H-F1741-00-P5	16 - 21	2DP-F3173-00	18 - 11
B6H-E1351-00	1 - 26	B6H-E2481-10	6 - 17	B6H-E5316-00	11 - 14	BBP-E7670-00	12 - 14	B6H-F1746-00	16 - 25		18 - 27
2DP-E1391-00	1 - 18	B6H-E2482-00	6 - 18	B6H-E5326-00	11 - 15	B6H-E7674-00	12 - 6	B6H-F177E-00	28 - 22	278-F3181-50	18 - 13
2DP-E1392-00	1 - 19	B6H-E2483-00	6 - 18	B6H-E533C-00	11 - 20	2DP-E7674-10	12 - 18	B6H-F177E-01	28 - 30		18 - 29
B6H-E1400-20	2 - 1	B6H-E2491-00	6 - 19	B6H-E5373-00	11 - 22	B6H-E7678-00	12 - 22	B6H-F1816-10	16 - 29	5YW-F3346-10	18 - 37
B6H-E1400-40	2 - 1	B6H-E2491-00	6 - 20	54P-E5351-01	7 - 3	2DP-E7678-10	12 - 24	B6H-F1817-10	16 - 31	4RT-F3411-10	18 - 41
B63-E1603-00	2 - 9	B65-E2611-00	6 - 27	2DP-E5362-00	10 - 14	BBP-E7683-00	12 - 19	B65-F1871-00	16 - 24	1KL-F3412-10	18 - 38
BK6-E1631-00	2 - 6	5ST-E2615-00	6 - 9	5LW-E5363-00	10 - 16	2DP-E7684-00	12 - 20	1S7-F1875-01	16 - 28	4RT-F3412-10	18 - 40
2DP-E1633-00	2 - 7	B6H-E2621-01	6 - 21	B6H-E5371-00	10 - 29	B6H-F1110-01	14 - 1	B6H-F194U-00	26 - 39	B65-F3415-00	18 - 44
2DP-E1651-00	2 - 4	5ST-E2843-00	6 - 10	5LW-E5371-01	11 - 5	B65-F113B-00	14 - 9	2DP-F2117-10	17 - 6	2WB-F3416-00	18 - 43
B6H-E1651-00	2 - 4	B63-E2843-00	6 - 8	B6H-E5373-00	10 - 30	BBM-F113B-00	19 - 21	B65-F2141-00	14 - 10	1PA-F3418-00	18 - 47
B63-E1681-00	2 - 2	B6H-E3300-01	7 - 1	2DP-E5407-00	11 - 11	B65-F117G-00	14 - 6	B6H-F2171-10	17 - 1	1SK-F3418-00	18 - 47
BK6-E2111-00	3 - 1	54P-E3411-00	7 - 4	B6H-E5411-01	11 - 1	B6H-F131C-00	28 - 45	B1T-F2210-00	17 - 14	1P6-F341E-10	18 - 42
BB8-E2113-01	3 - 4	2DP-E3556-00	8 - 12	B6H-E5421-00	10 - 24	5TP-F139X-00	19 - 20	B6H-F2403-00	18 - 34	5VL-F341E-10	18 - 39
2DP-E2117-00	3 - 6	B6H-E3585-00	8 - 1	B65-E5423-01	10 - 18	B6H-F1410-00	14 - 5	B6H-F247A-00	27 - 6	B63-F3462-00	18 - 35
BBP-E2117-00	3 - 6	B65-E3750-10	8 - 13	B6H-E5431-00	11 - 8	2DP-F1511-00-P9	15 - 1	B6H-F247B-00	27 - 12	2TD-F3875-00	18 - 36
5TL-E2118-00	3 - 5	BB8-E3761-10	8 - 6	B6H-E5451-00	11 - 2	B6H-F1552-01	15 - 4	B6H-F247C-00	20 - 19	B6H-F4110-01	19 - 1
54P-E2119-00	3 - 3	5LW-E3769-00	10 - 15	B6H-E5461-10	10 - 25	BBM-F1568-00	28 - 53	B6H-F2865-00-P4	29 - 20	2DP-F413B-00	28 - 49
B3F-E2121-00	3 - 2	BB8-E3770-10	8 - 5	B65-E5472-00	11 - 10	B6H-F1611-30	15 - 6	B6H-F286F-00-P4	28 - 1	B6H-F414A-01	19 - 12
50C-E2126-00	3 - 7	B6H-E3907-01	19 - 5	2DP-E5474-00	11 - 13	B6H-F1621-10	20 - 35	B6H-F3100-10	18 - 1	5D9-F414G-00	14 - 4
2DP-E2150-01	3 - 8	54P-E3915-00	19 - 6	B63-E5481-00	11 - 12	B6H-F162R-01	15 - 9	B6H-F3102-00	18 - 2		19 - 19
B65-E2156-00	3 - 16	54P-E3938-00	8 - 9	2DP-E5495-00	11 - 9	B6H-F1651-00-P4	16 - 15	B6H-F3103-00	18 - 18	54P-F414G-10	19 - 8
B63-E2157-00	4 - 6	B6H-E3971-00	19 - 4	B6H-E5744-00	12 - 23	BC1-F1668-00	20 - 41	2DP-F3110-00	18 - 7	B3F-F414G-20	15 - 2
5YP-E2157-01	4 - 6	54P-E4137-00	8 - 10	B65-E6111-01	13 - 9	B6H-F1711-00-P4	16 - 1		18 - 23	B6H-F419A-10	19 - 16
33S-E2159-01	3 - 9	B6H-E4146-00	8 - 4	B65-E6111-10	13 - 9	B6H-F1621-10	20 - 35		18 - 16	B6H-F4217-00	19 - 13
	3 - 14	54P-E4147-00	8 - 7	BBP-E6611-00	12 - 25	B6H-F171L-00-P4	27 - 29		18 - 32	B6H-F4318-01	19 - 14
B6H-E2160-01	3 - 13	5CA-E4147-00	8 - 8	BBP-E6620-00	12 - 8	B6H-F171L-00-PB	27 - 29	B65-F3123-00	18 - 49	B6H-F4491-00	19 - 9
B6H-E2170-00	4 - 1	54P-E416A-00	8 - 18	B65-E6626-00	12 - 11	B6H-F171M-00-P4	27 - 31	2DP-F3126-00	18 - 3	B6H-F4494-10	28 - 43
2PV-E2210-01	4 - 11	B6H-E4199-00	8 - 2	54P-E6629-00	12 - 10	B6H-F171M-00-PB	27 - 31	B6H-F312G-00	18 - 48	B6H-F4610-01	19 - 11
B6H-E2213-00	4 - 12	54P-E4243-00	8 - 15	54P-E6819-00	12 - 12						
B6H-E2223-00	5 - 2	54P-E4335-00	8 - 16	2DP-E7211-01	13 - 4						
		B6H-E4411-10	8 - 20	2DP-E7211-10	13 - 4						

NUMERICAL INDEX

PART NO.	REF. NO.	PART NO.	REF. NO.	PART NO.	REF. NO.	PART NO.	REF. NO.	PART NO.	REF. NO.	PART NO.	REF. NO.
B6H-F470F-01	20 - 2	B6H-F5875-00	18 - 50	B6H-F742L-10	27 - 50	BK6-H1950-00	36 - 18	B63-H5801-00	8 - 17	90160-05014	25 - 25
B74-F4727-00	20 - 16	B6H-F5876-00	18 - 52	B6H-F7430-10	27 - 39	B3F-H1950-10	36 - 19	2DP-H592A-20	37 - 7	90160-05810	16 - 19
B6H-F472A-00	20 - 18	B6H-F587A-00	26 - 41	2DP-F7431-01	27 - 41	B63-H1950-10	36 - 19	BBM-H594A-01	37 - 1		16 - 22
B6H-F472T-01	20 - 25	B6H-F5886-00	17 - 11	2DP-F7437-01	27 - 47	BBM-H2100-00	36 - 1	B6H-H5970-00	38 - 1	90170-05803	3 - 10
B6H-F4730-01	20 - 1	B6H-F5887-00	26 - 35		27 - 57	B6H-H2129-10	20 - 33	BK6-H6110-10	37 - 8		3 - 15
B6H-F473R-00	20 - 7	B6H-F588F-00	14 - 22	B6H-F7440-10	27 - 49	B65-H2151-00	36 - 8	4C9-W0048-00	22 - 8	90170-12802	12 - 30
3C1-F4741-00	20 - 4	B6H-F588G-10	17 - 8	2DP-F7441-01	27 - 51	B65-H2151-60	36 - 7		24 - 8	90179-05003	14 - 20
5BP-F4741-00	20 - 3	2DP-F589F-00	26 - 8	B6H-F7456-00	28 - 46	B65-H2151-90	36 - 9	B65-WE662-00	12 - 9	90179-12004	12 - 29
B6H-F475M-00	20 - 5		26 - 29	B6H-F7481-00	27 - 14	B6H-H2310-01	37 - 3	BBP-WE763-00	12 - 2		30 - 5
1S7-F4768-00	20 - 24	2BM-F5917-00	22 - 6	B6H-F7483-00	27 - 35	BK6-H2370-00	37 - 5	90105-088E3	14 - 16	90179-25810	18 - 45
B6H-F4769-00	20 - 12	5YP-F5917-00	24 - 6	B6H-F7484-00	27 - 36	B6H-H251P-00	14 - 2	90105-088E8	17 - 15	90183-04039	37 - 25
B6H-F4773-10	20 - 27	2BM-F5919-00	22 - 11	B6H-F7488-00	27 - 21	B6H-H252E-01	36 - 2	90105-10283	14 - 12	90183-05807	16 - 2
40D-F4780-01	20 - 22	5P0-F5919-01	24 - 11	B6H-F7493-00	27 - 37	B6H-H2530-00	26 - 33	90105-108B0	25 - 2		16 - 6
B6H-F478E-10	20 - 21	2DP-F5920-00	22 - 13	B6H-F7494-00	27 - 38	B6H-H254B-00	36 - 20	90105-108C1	17 - 16		20 - 10
B6H-F4811-00	20 - 14	2DP-F5920-50	24 - 13	B6H-F74A8-00	28 - 40	B8A-H2566-00	36 - 14	90109-068A4	15 - 3		27 - 19
B6H-F5168-00-33	21 - 1	5YP-F5924-00	22 - 12	2DP-F814F-00	20 - 39	B6H-H2568-01	36 - 5	90109-068B2	15 - 7		27 - 26
B6H-F5168-00-P3	21 - 1		24 - 12	3AY-F8152-00	20 - 40	B6H-H2590-30	36 - 6		16 - 26		28 - 4
2DP-F517G-00	21 - 5	5YP-F5925-01	22 - 10	B6H-F8311-00	28 - 16	B6H-H3310-01	31 - 1		20 - 9		28 - 7
2DP-F5181-10	21 - 10		24 - 10	B6H-F8312-00-P1	28 - 36	2CB-H3311-00	31 - 2		27 - 17		28 - 10
B6H-F5338-00-33	23 - 1	5YP-F5937-00	22 - 7	B6H-F8315-21	28 - 51		31 - 9		27 - 24		28 - 13
B6H-F5338-00-P3	23 - 1		24 - 7	B6H-F8315-71	28 - 51		34 - 2		29 - 12		28 - 19
B6H-F5522-00	26 - 37	B6H-F6110-01	25 - 1	B6H-F8321-00	28 - 24	B6H-H3312-00	31 - 3		34 - 5		28 - 23
2BM-F5802-00	22 - 4	B6H-F6143-00	25 - 16	B6H-F8328-21	28 - 52	B6H-H3320-01	31 - 8	90109-068C7	15 - 8		28 - 41
5P0-F5802-00	24 - 4	B6H-F6144-00	25 - 22	B6H-F8328-71	28 - 52	B6H-H3322-00	31 - 10	90109-068D5	14 - 3		29 - 6
5YP-F5803-50	22 - 5	4US-F6199-00	20 - 11	B6H-F8351-00-P4	28 - 3	B6H-H3371-00	37 - 18		36 - 3		29 - 17
	24 - 5	B1T-F61AA-00	29 - 1	B6H-F8351-00-PB	28 - 3	B6H-H3510-52	32 - 1	90109-08232	22 - 2		29 - 21
2DP-F5805-00	22 - 9	B6H-F6219-00-P1	25 - 19	B6H-F8356-00	14 - 18	B6H-H3511-01	32 - 2		24 - 2		33 - 4
B6H-F5805-00	24 - 9	B6H-F6240-00	25 - 4	B6H-F835U-00	28 - 9	B6H-H3559-00-P1	29 - 4	90110-06378	1 - 24		34 - 3
2DP-F5807-00	26 - 2	2DP-F6241-00	25 - 5	B6H-F835V-00	28 - 12	B6H-H3572-01	32 - 4	90110-06846	8 - 19	90183-06815	16 - 10
2DP-F5807-10	26 - 23	2PH-F6246-00	25 - 6	B6H-F836K-00	28 - 20	52B-H3591-00	37 - 12	90110-06880	30 - 3		16 - 12
B6H-F580U-00	22 - 3	2DP-F6280-10	25 - 7	B6H-F836X-00	28 - 32	2DP-H3912-00	26 - 28	90110-06881	36 - 17	90183-06818	25 - 17
B6H-F580W-00	24 - 3	2DP-F6290-10	25 - 8	B6H-F8377-00-P4	28 - 6	2DP-H3922-00	26 - 7	90111-05816	20 - 38		34 - 4
5P0-F5827-00	24 - 14	B6H-F6301-10	25 - 9	B6H-F8377-00-PB	28 - 6	B6H-H3972-00	35 - 1	90111-06860	9 - 3	90185-10011	25 - 3
B8A-F5827-00	22 - 14	50C-F6326-00	33 - 3	B6H-F837L-00	29 - 8	B3F-H3973-01	35 - 3	90119-06212	20 - 20	90185-10012	21 - 11
2DP-F582U-00	22 - 1	1S9-F6332-00	26 - 11	B6H-F837M-00	29 - 16	B6H-H3980-00	26 - 12	90119-06235	27 - 16	90185-16800	23 - 4
2DP-F582W-00	24 - 1		26 - 32	B6H-F8385-01	27 - 33	B6H-H4140-01	31 - 5		27 - 23	90201-06828	33 - 6
BBM-F583T-00	26 - 1	B6H-F7111-00	27 - 1	B6H-F838K-01	28 - 25	B6H-H4150-01	31 - 12	90119-068B7	19 - 2	90201-08859	1 - 17
BBM-F583V-00	26 - 22	B6H-F7112-00	27 - 2	B6H-F838M-00	28 - 27	B6H-H4300-10	33 - 1	90149-05030	21 - 6	90201-08884	20 - 29
5HV-F5852-00	26 - 3	54P-F7114-00	27 - 4	B6H-F839K-01	28 - 44	B6H-H4710-00	34 - 1	90149-05801	1 - 10	90201-10118	26 - 16
	26 - 24		27 - 13	B6H-F8428-00	29 - 15	B6H-H4716-00	16 - 13	90149-06104	25 - 21		26 - 20
5HV-F5854-10	26 - 5	5P2-F7114-00	14 - 14		29 - 19	B6H-H4723-00	31 - 4	90149-10805	22 - 15	90201-10831	21 - 12
	26 - 26	54P-F7121-00	10 - 3	B6H-F842M-00	28 - 38		31 - 11	90150-05008	29 - 2	90201-10853	17 - 17
5HV-F585B-10	26 - 4	B63-F7217-00	27 - 9	B6H-F842N-00	20 - 37	1CK-H4726-00	37 - 23	90159-05032	25 - 24	90201-12688	30 - 4
	26 - 25	B65-F7217-00	27 - 9	B6H-H1410-00	30 - 2	B6H-H4740-00	37 - 21	90159-06817	33 - 5	90201-15847	12 - 34
2DP-F5867-00	26 - 31	1LB-F7254-00	27 - 7	B6H-H1450-00	30 - 1	2ND-H4744-00	37 - 22	90160-05009	28 - 11	90201-15849	12 - 28
2DP-F5867-10	26 - 10	B6H-F7311-01	27 - 8	BK6-H1847-00	37 - 9	2FC-H5111-00	37 - 26		28 - 14	90201-16819	12 - 27
B6H-F5872-10	26 - 14	B6H-F741L-10	27 - 40	2DP-H1861-00	37 - 11	54P-H5130-00	37 - 20		29 - 14	90202-26142	18 - 46
B6H-F5873-20	26 - 18	B6H-F7426-00	28 - 42	2PH-H1940-11	36 - 18	BK6-H5752-00	19 - 7		29 - 18	90249-03017	28 - 34

NUMERICAL INDEX

PART NO.	REF. NO.	PART NO.	REF. NO.	PART NO.	REF. NO.	PART NO.	REF. NO.	PART NO.	REF. NO.	PART NO.	REF. NO.
90269-06812	20 - 36	90464-09806	36 - 4	90520-02849	27 - 27	93306-303YX	17 - 4	95D37-06016	17 - 7	97702-50016	33 - 7
90269-06816	15 - 5	90464-13249	36 - 16		29 - 3	93306-351Y8	13 - 12	95E32-06010	1 - 4	97707-30014	32 - 3
	16 - 3	90464-14002	19 - 18	90520-02850	29 - 7	93310-528YK	2 - 3		1 - 27	97707-50012	20 - 34
	16 - 7	90464-14803	38 - 3	90520-04806	20 - 8	933A6-202Y0	12 - 31	95E32-06012	20 - 23		28 - 28
	20 - 26	90464-14809	37 - 4	90520-06817	28 - 29	93450-16115	2 - 8		26 - 40		28 - 47
	25 - 23	90464-16006	17 - 13	90520-10851	11 - 18	93501-04830	27 - 45		26 - 42	97707-50016	16 - 14
	27 - 34	90464-16808	25 - 13	90520-10853	6 - 22		27 - 55		36 - 10		31 - 7
	28 - 2		26 - 21	90520-10854	16 - 20	93900-00824	21 - 8	95E32-06014	3 - 19		31 - 14
	28 - 37		28 - 15	90520-10855	6 - 23		23 - 3	95E32-06020	4 - 13	97707-50025	8 - 26
	29 - 11		29 - 10		11 - 23	94111-13803	21 - 7		6 - 3	98502-05020	7 - 2
90280-03017	2 - 5		36 - 11	90520-10856	11 - 16	94113-13809	23 - 2		6 - 26	98502-06012	8 - 14
90338-07018	28 - 48	90464-24230	25 - 14	90520-10859	29 - 5	94568-F9096	4 - 7		10 - 22	98507-05025	35 - 2
90340-12813	1 - 3	90464-30001	16 - 30	90520-15803	19 - 3	94700-00415	1 - 20		37 - 6		35 - 4
90340-12816	10 - 10		19 - 15	90520-15816	8 - 33	95027-06020	5 - 8	95E32-06025	5 - 12	98707-04012	26 - 6
90380-10800	12 - 32		36 - 12	90520-15817	16 - 23	95302-10600	17 - 18	95E32-06030	1 - 11		26 - 27
90387-064H8	27 - 46	90464-65801	36 - 13	90520-20800	29 - 9	95332-08600	1 - 16		10 - 23	98907-04014	37 - 24
	27 - 56	90467-08003	16 - 32	90520-40800	11 - 21	95602-06100	26 - 9	95E32-06035	11 - 4	99002-09600	27 - 3
90387-068T3	34 - 7	90467-10008	10 - 31	90520-40801	11 - 17		26 - 30	95E32-06045	5 - 13	99009-08400	5 - 6
90387-07391	28 - 18	90467-11106	11 - 7	90520-50801	11 - 19	95602-08200	14 - 17	95E32-06050	6 - 24	99009-25400	13 - 5
90387-08821	14 - 15	90467-11825	8 - 36	91312-05010	19 - 10	95602-10200	14 - 11	95E32-06060	10 - 7	99009-35700	12 - 33
90387-08823	6 - 11		10 - 32		25 - 12		14 - 13	95E32-06110	10 - 8	99480-03012	10 - 2
90387-08847	20 - 30	90467-12052	8 - 37	91312-05016	3 - 17		27 - 10	95E32-08020	27 - 48	99530-08012	1 - 12
90387-10277	21 - 9	90467-12809	8 - 29	91332-06025	8 - 3	95612-08618	1 - 6		27 - 58		5 - 10
90387-10839	21 - 2	90467-19803	6 - 15	91402-20012	27 - 42	95702-06500	20 - 6	95E32-08035	10 - 28	99530-10114	1 - 22
90387-10857	14 - 8		6 - 16		27 - 52	95702-08500	9 - 5	95E32-08045	10 - 27		1 - 23
90387-10867	20 - 31	90467-20806	6 - 14	91702-06038	27 - 43	95707-05500	37 - 27	95E37-06012	19 - 17		10 - 6
90387-17807	17 - 5	90468-08086	20 - 13		27 - 53	95812-10030	24 - 15		37 - 15		10 - 21
90387-17808	17 - 9	90468-18121	20 - 17	92017-05016	25 - 11	95822-06016	34 - 6		37 - 17		10 - 26
90388-08803	10 - 5	90480-01559	16 - 4	93102-08800	1 - 14	95D02-06012	18 - 51	97602-04312	26 - 13		11 - 3
	17 - 2		16 - 8	93102-20815	13 - 11		18 - 53		26 - 34		
90388-10808	10 - 4		27 - 15	93102-22829	10 - 9		26 - 36	97702-30016	32 - 5		
90388-10818	14 - 7		27 - 22	93102-24802	10 - 19		37 - 19	97702-50014	31 - 6		
90401-10812	26 - 15	90480-13018	33 - 2	93102-32807	13 - 8	95D32-06012	14 - 23		31 - 13		
	26 - 19	90480-14808	16 - 27	93106-20816	21 - 3		17 - 12	97702-50016	15 - 10		
90430-06803	1 - 5	90480-14825	28 - 17	93106-28801	17 - 3	95D32-06016	6 - 28		16 - 17		
	1 - 28	90480-14833	6 - 12	93210-09806	4 - 2		37 - 10		27 - 18		
	5 - 9	90480-17802	14 - 21	93210-14816	10 - 17		38 - 2		27 - 25		
90430-08804	10 - 13	90480-19802	20 - 32	93210-19809	5 - 14	95D32-06020	37 - 2		27 - 30		
90430-10806	37 - 13	90501-12743	27 - 44	93210-29800	7 - 6	95D32-06025	28 - 35		27 - 32		
90430-12803	10 - 11		27 - 54	93210-39803	5 - 11	95D32-06030	6 - 13		28 - 5		
90450-43805	8 - 34	90501-16004	7 - 5	93211-28800	10 - 20		8 - 11		28 - 8		
90464-07018	16 - 16	90506-20818	27 - 11	93300-608X0	5 - 7		8 - 32		28 - 21		
90464-07805	16 - 33	90506-23815	20 - 15	93306-001YG	4 - 3	95D32-08035	10 - 12		28 - 26		
	26 - 17	90506-40806	27 - 5	93306-254Y5	13 - 10		20 - 28		28 - 31		
	26 - 38	90508-12800	28 - 33	93306-255YA	13 - 7	95D32-08050	14 - 19		28 - 39		
	36 - 15	90520-02014	25 - 20	93306-300YN	21 - 4	95D32-10045	9 - 6		29 - 13		
90464-07807	25 - 15	90520-02849	25 - 18	93306-302YU	13 - 2	95D32-10060	9 - 7		29 - 22		
90464-08009	25 - 10		27 - 20	93306-303YW	13 - 6		17 - 10		32 - 6		