



PARTS CATALOGUE



WMB



MNM3



CM6



MDNM8

GDR155 (BDL8) MALAYSIA (MNM3/CM6)

GDR155-A (BDL9) MALAYSIA (WMB/MDNM8)



1YBDL-440E1

()

GDR155/GDR155-A
PARTS CATALOGUE
©2022 by Yamaha Motor Co., Ltd.
1st edition, November 2022
All rights reserved.
Any reprinting or unauthorized use
without the written permission of
Yamaha Motor Co., Ltd.
is expressly prohibited.
Printed in Japan.

FOREWORD

This Parts Catalogue is related to the parts for the model(s) on the cover page. When you are ordering replacement parts, please refer to this Parts Catalogue and quote both part numbers and part names correctly.

1. Modifications or additions which have been made after the issue of the Parts Catalogue will be announced in the Parts News.
It is advisable that you make the necessary corrections to the Parts Catalogue according to the Parts News.

2. Abbreviations

The following abbreviations are used in this Parts Catalogue.

“UR” Use specified parts number.

“UN” Use as many as needed.

“AP” Alternate Parts

“LM” Locally Made (Parts need to be ordered locally)

“F#” Frame No. (Applicable machine No.)

“O/S” Over Size

3. The number of components for assembly

- Parts, which are to be supplied in an assembly, are listed with a dot (.) in front of the part name as shown below.
- The numeral appearing to the right of each component part indicates the quantity of parts for each assembly unit.

PART NO.	DESCRIPTION	Q'TY	REMARKS
2F5-83310-60	FRONT FLASHER LIGHT ASSY	2	
115-83311-60	.BULB (6V-18W)	1	

4. Applicable colours of graphics are represented in the “REMARKS” as shown below.

PART NO.	DESCRIPTION	Q'TY	REMARKS
2N4-24110-00-X5	FUEL TANK COMP.	2	MXR
3J1-24240-10	.GRAPHIC, FUEL TANK	1	FOR MXR

5. Note that the illustrations for reference in finding parts numbers are not to be used for assembling. When assembling, please use the applicable service manual.

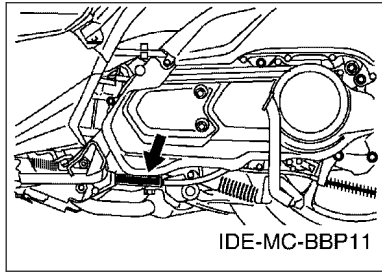
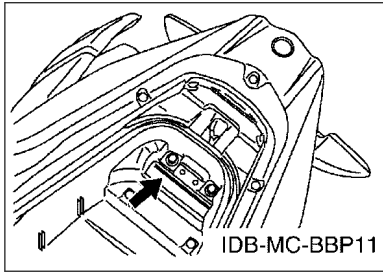
6. The asterisk (*) before a reference number indicates modified items after the first edition.

FOREWORD

7. Applicable Serial No.

Frame Serial No.

Engine Serial No.



8. Applicable Colour Code (The (*) mark shows Model colour.)

Abbreviation	Colour Name	Colour Code
CM6(*)	CYAN METALLIC 6	1344
DPRME	DARK PURPLISH RED METALLIC E	1336
MDNM8(*)	MAT DARK GRAY METALLIC 8	1654
MDPBM5	MAT DARK PURPLISH BLUE ME 5	1774
MNM3(*)	MAT GRAY METALLIC 3	1278
MNYM3	MAT GRAYISH YELLOW METALLIC 3	1831
SM12	BLACK METALLIC 12	1723
VYRS6	VIVID YELLOWISH RED SOLID 6	1699
WMB(*)	WHITE METALLIC B	1786
YB	YAMAHA BLACK	0033

9. Applicable Starting Serial No.

Frame Serial No.

Serial No.	Name Of Q'ty Column	Model Code

Engine Serial No.

Serial No.	Name Of Q'ty Column	Model Code

CONTENTS

ENGINE

CYLINDER.....	1
CRANKSHAFT & PISTON.....	3
VALVE.....	4
CAMSHAFT & CHAIN.....	5
WATER PUMP.....	6
RADIATOR & HOSE.....	7
OIL PUMP.....	9
INTAKE.....	10
EXHAUST.....	12
CRANKCASE.....	13
CRANKCASE COVER 1.....	15
CLUTCH.....	16
TRANSMISSION.....	18

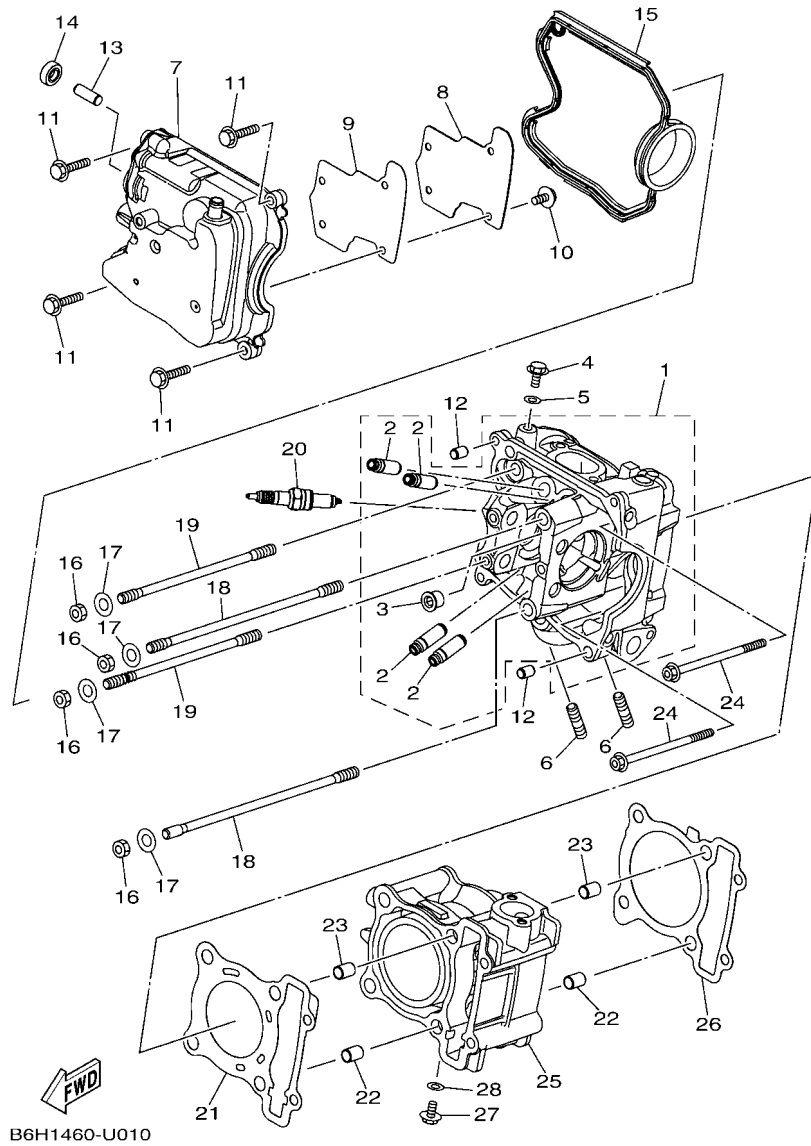
CHASSIS

FRAME.....	19
FENDER.....	21
SIDE COVER.....	23
SIDE COVER 2.....	26
REAR ARM & SUSPENSION.....	29
STEERING.....	31
FRONT FORK.....	32
FUEL TANK.....	34
SEAT.....	35
FRONT WHEEL.....	37
FRONT BRAKE CALIPER.....	38
REAR WHEEL.....	39
STEERING HANDLE & CABLE.....	40
FRONT MASTER CYLINDER.....	42
FRONT MASTER CYLINDER 2.....	43
STAND & FOOTREST.....	44
LEG SHIELD.....	47
LEG SHIELD 2.....	50
GENERATOR.....	53
FLASHER LIGHT.....	54
METER.....	55
HEADLIGHT.....	56
TAILLIGHT.....	57
HANDLE SWITCH & LEVER.....	58

ELECTRICAL 1.....	59
ELECTRICAL 2.....	61
ELECTRICAL 3.....	63
ELECTRICAL 4.....	65

INDEX

NUMERICAL INDEX.....	66
----------------------	----



B6H1460-U010

FIG. 1 CYLINDER

REF. NO.	PART NO.	DESCRIPTION	BDL8	BDL9	REMARKS
1	BBB-E1102-00	CYLINDER HEAD ASSY	1	1	
2	2DP-E1133-10	.GUIDE, VALVE 1	4	4	
3	90340-12813	.PLUG, STRAIGHT SCREW	1	1	
4	95E32-06010	BOLT, FLANGE DEEP RECESS	1	1	
5	90430-06803	GASKET	1	1	
6	95612-08618	BOLT, STUD	2	2	
7	2DP-E1191-00	COVER, CYLINDER HEAD 1	1	1	
8	2DP-E1165-00	PLATE, BREATHER	1	1	
9	2DP-E1169-00	GASKET, BREATHER COVER	1	1	
10	90149-05801	SCREW	4	4	
11	95E32-06030	BOLT, FLANGE DEEP RECESS	4	4	
12	99530-08012	PIN, DOWEL	2	2	
13	2DP-E132G-00	ROD 1	1	1	
14	93102-08800	OIL SEAL	1	1	
15	B3F-E1193-00	GASKET, HEAD COVER 1	1	1	
16	90170-08810	NUT	4	4	
17	90201-08859	WASHER, PLATE	4	4	
18	BB8-E1391-00	BOLT, STUD 1	2	2	
19	BB8-E1392-00	BOLT, STUD 2	2	2	
20	94700-00415	PLUG, SPARK (NGK CPR8EA)	1	1	
21	2DP-E1181-00	GASKET, CYLINDER HEAD 1	1	1	
22	99530-10114	PIN, DOWEL	2	2	
23	99530-10114	PIN, DOWEL	2	2	
24	90110-06894	BOLT, HEXAGON SOCKET HEAD	2	2	
25	B6H-E1311-00	CYLINDER 1	1	1	
26	B6H-E1351-00	GASKET, CYLINDER	1	1	
27	95E32-06010	BOLT, FLANGE DEEP RECESS	1	1	

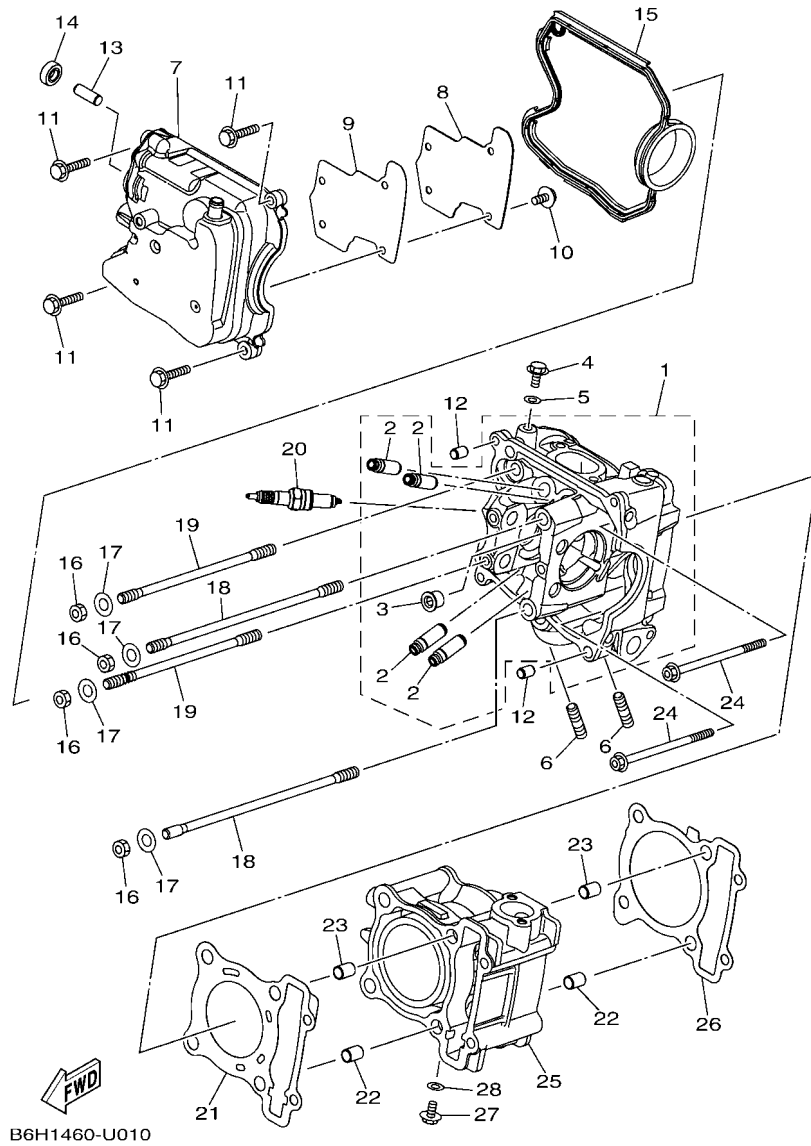
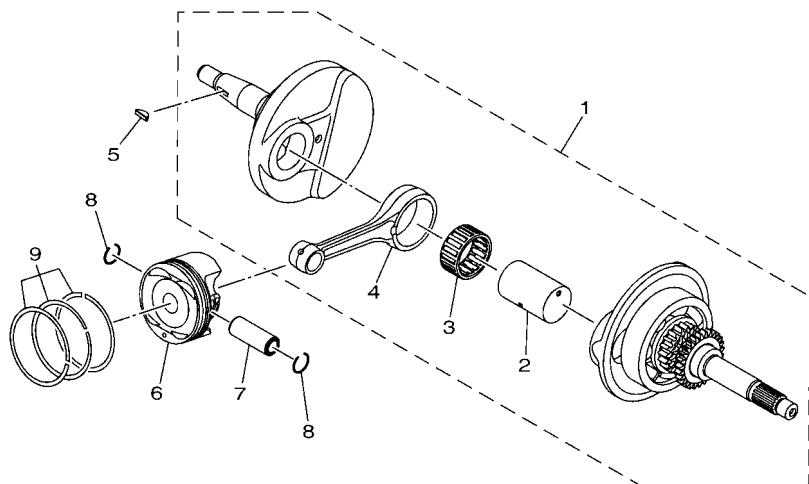


FIG. 1 CYLINDER

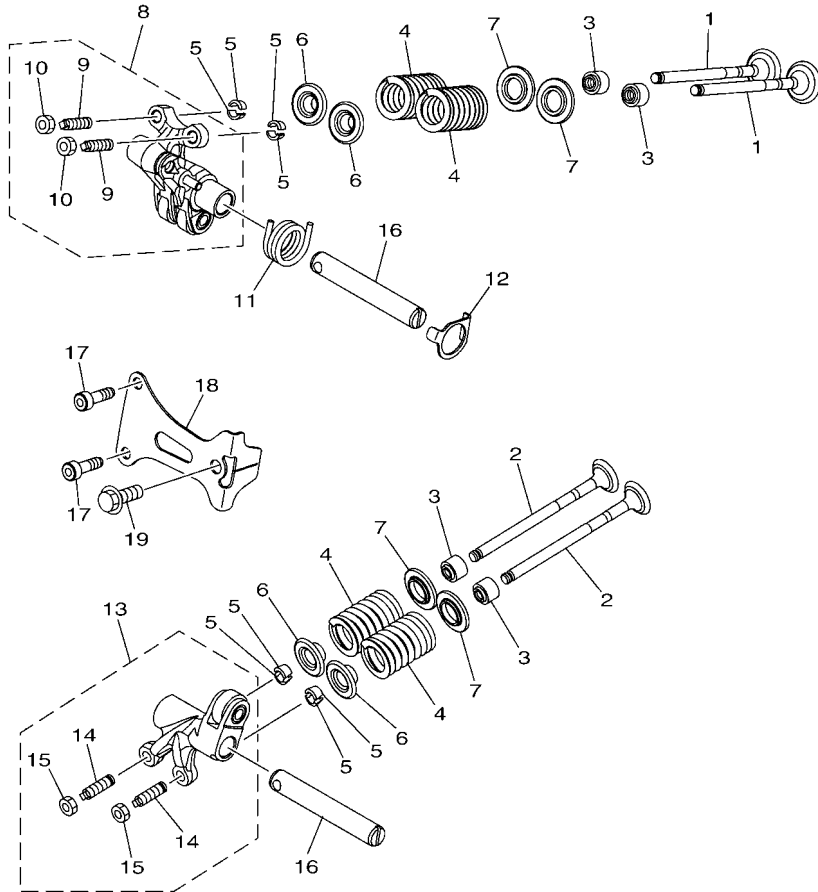
REF. NO.	PART NO.	DESCRIPTION	BDL 8	BDL 9	REMARKS
28	90430-06803	GASKET	1	1	

FIG. 2 CRANKSHAFT & PISTON



REF. NO.	PART NO.	DESCRIPTION	BDL8	BDL9				REMARKS
1	B6H-E1400-40	CRANKSHAFT ASSY	1	1				
2	B63-E1681-00	.PIN, CRANK 1	1	1				
3	93310-528YK	.BEARING	1	1				
4	2DP-E1651-00	.ROD, CONNECTING	1	1				
5	90280-03017	KEY, WOODRUFF	1	1				
6	BK6-E1631-00	PISTON (STD)	1	1				
7	2DP-E1633-00	PIN, PISTON	1	1				
8	93450-16115	CIRCLIP	2	2				
9	B63-E1603-00	PISTON RING SET (STD)	1	1				


 B6H1460-U020

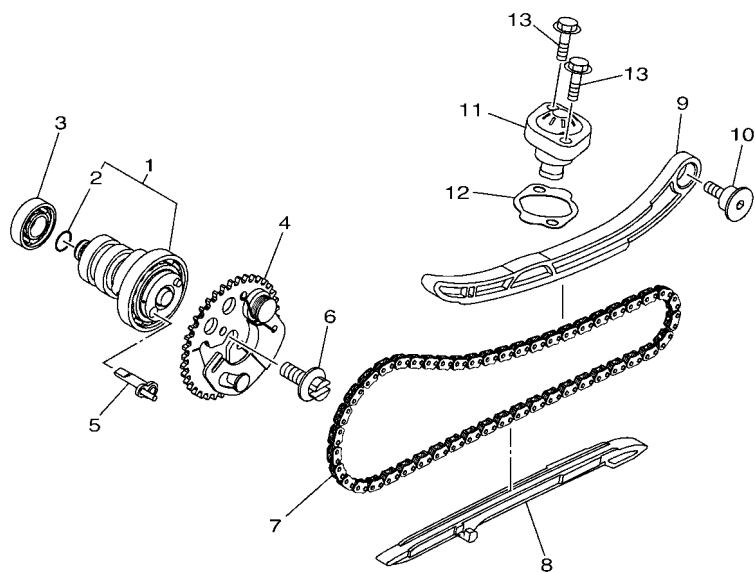


B631422-S030

FIG. 3 VALVE

REF. NO.	PART NO.	DESCRIPTION	BDL8	BDL9	REMARKS
1	BK6-E2111-00	VALVE, INTAKE	2	2	
2	B3F-E2121-00	VALVE, EXHAUST	2	2	
3	54P-E2119-00	SEAL, VALVE STEM	4	4	
4	BB8-E2113-01	SPRING, VALVE INNER	4	4	
5	5TL-E2118-00	LOCK, VALVE SPRING RETAINER	8	8	
6	2DP-E2117-00	RETAINER, VALVE SPRING	4	4	
7	50C-E2126-00	SEAT, VALVE SPRING 2	4	4	
8	2DP-E2150-01	VALVE ROCKER ARM ASSY	1	1	
9	33S-E2159-01	.SCREW, VALVE ADJUSTING	2	2	
10	90170-05803	.NUT	2	2	
11	BB8-E2226-00	SPRING, COIL	1	1	
12	B63-E2279-00	PLATE	1	1	
13	B6H-E2160-01	VALVE ROCKER ARM ASSY 2	1	1	
14	33S-E2159-01	.SCREW, VALVE ADJUSTING	2	2	
15	90170-05803	.NUT	2	2	
16	B65-E2156-00	SHAFT, ROCKER 2	2	2	
17	91312-05016	BOLT, HEXAGON SOCKET HEAD	2	2	
18	B63-E111F-00	PLATE	1	1	
19	95E32-06014	BOLT, FLANGE DEEP RECESS	1	1	

FIG. 4 CAMSHAFT & CHAIN

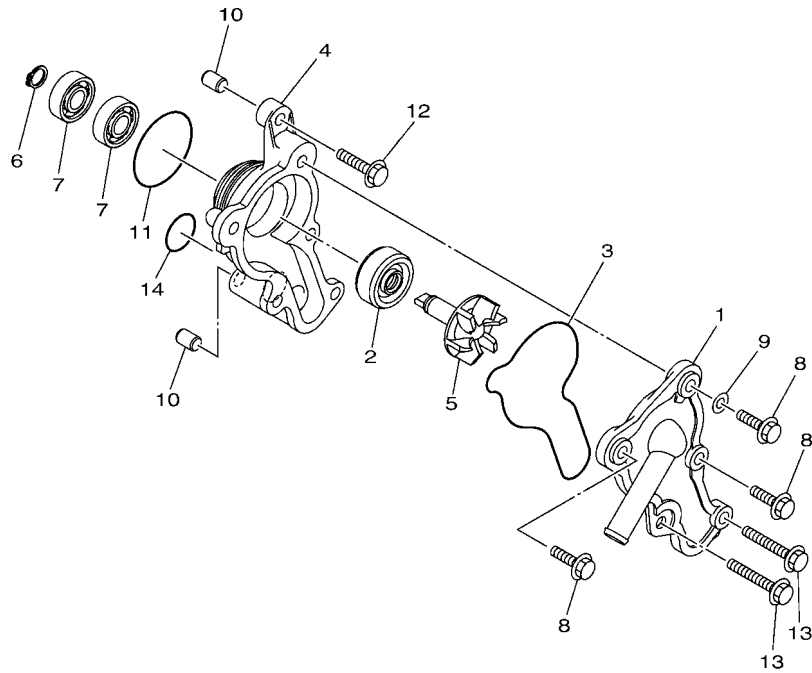


REF. NO.	PART NO.	DESCRIPTION	BDL8	BDL9	REMARKS
1	B6H-E2170-00	CAMSHAFT ASSY 1	1	1	
2	93210-09806	.O-RING	1	1	
3	93306-001X3	BEARING	1	1	
4	BBP-E2280-10	DECOMPRESSION ASSY	1	1	
5	B6H-E2288-01	CAM, DECOMPRESSION	1	1	
6	5YP-E2157-01	BOLT	1	1	
7	94568-F9096	CHAIN (DID SCR-0404 SV)	1	1	
8	B65-E2231-00	GUIDE, STOPPER 1	1	1	
9	B6H-E2241-00	GUIDE, STOPPER 2	1	1	
10	1DB-E2228-00	BOLT	1	1	
11	2PV-E2210-01	TENSIONER ASSY, CAM CHAIN	1	1	
12	B6H-E2213-00	GASKET, TENSIONER CASE	1	1	
13	95E32-06020	BOLT, FLANGE DEEP RECESS	2	2	



BBP1460-W040

FIG. 5 WATER PUMP



REF. NO.	PART NO.	DESCRIPTION	BDL8	BDL9	REMARKS
1	B6H-E2422-00	COVER, HOUSING	1	1	UR EITHER CAN USE
	BBN-E2422-00	COVER, HOUSING	1	1	UR EITHER CAN USE
2	B6H-E2223-00	SEAL	1	1	
3	B6H-E2439-00	O-RING	1	1	
4	B6H-E1185-00	COVER, CYLINDER HEAD SIDE 3	1	1	
5	B6H-E2450-00	IMPELLER SHAFT ASSY	1	1	
6	99009-08400	CIRCLIP	1	1	
7	93300-608X0	BEARING	2	2	
8	95027-06020	BOLT, FLANGE	3	3	
9	90430-06803	GASKET	1	1	
10	99530-08012	PIN, DOWEL	2	2	
11	93210-39803	O-RING	1	1	
12	95E32-06025	BOLT, FLANGE DEEP RECESS	1	1	
13	95E32-06045	BOLT, FLANGE DEEP RECESS	2	2	
14	93210-19809	O-RING	1	1	



B6H1460-U050

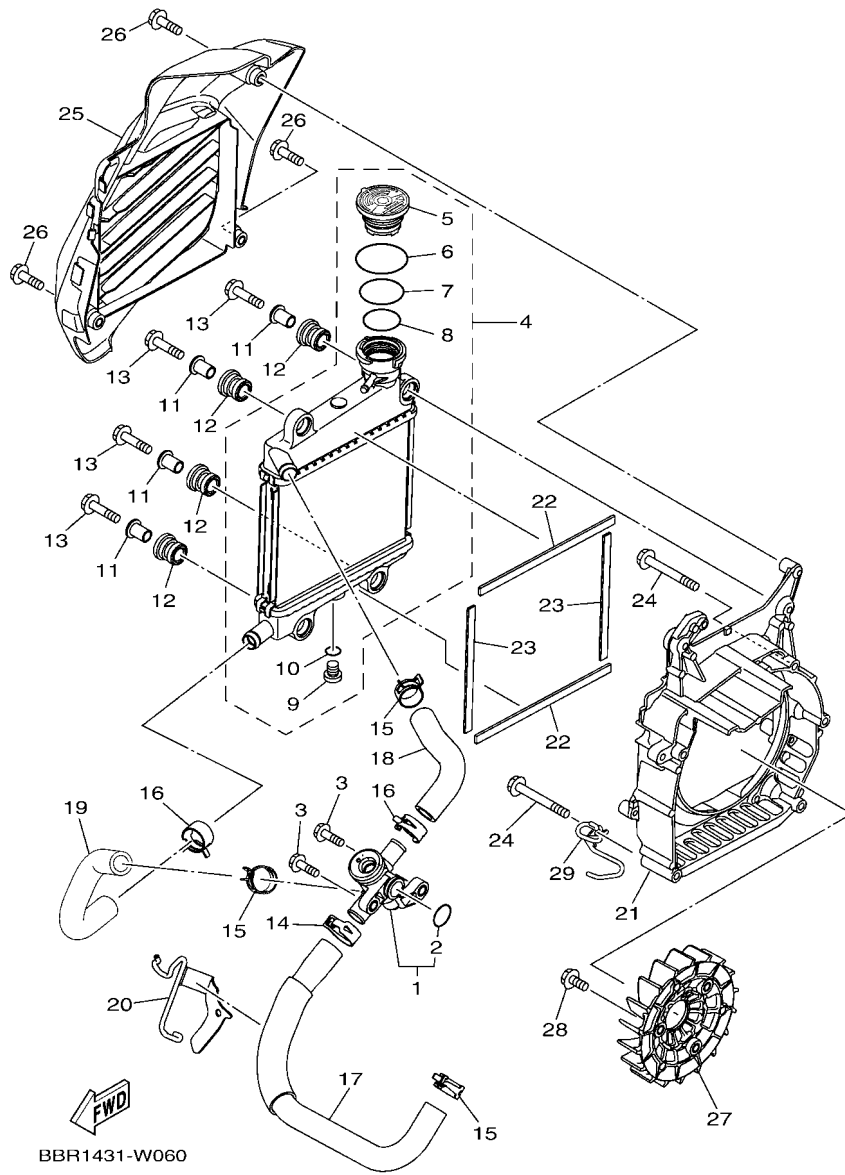
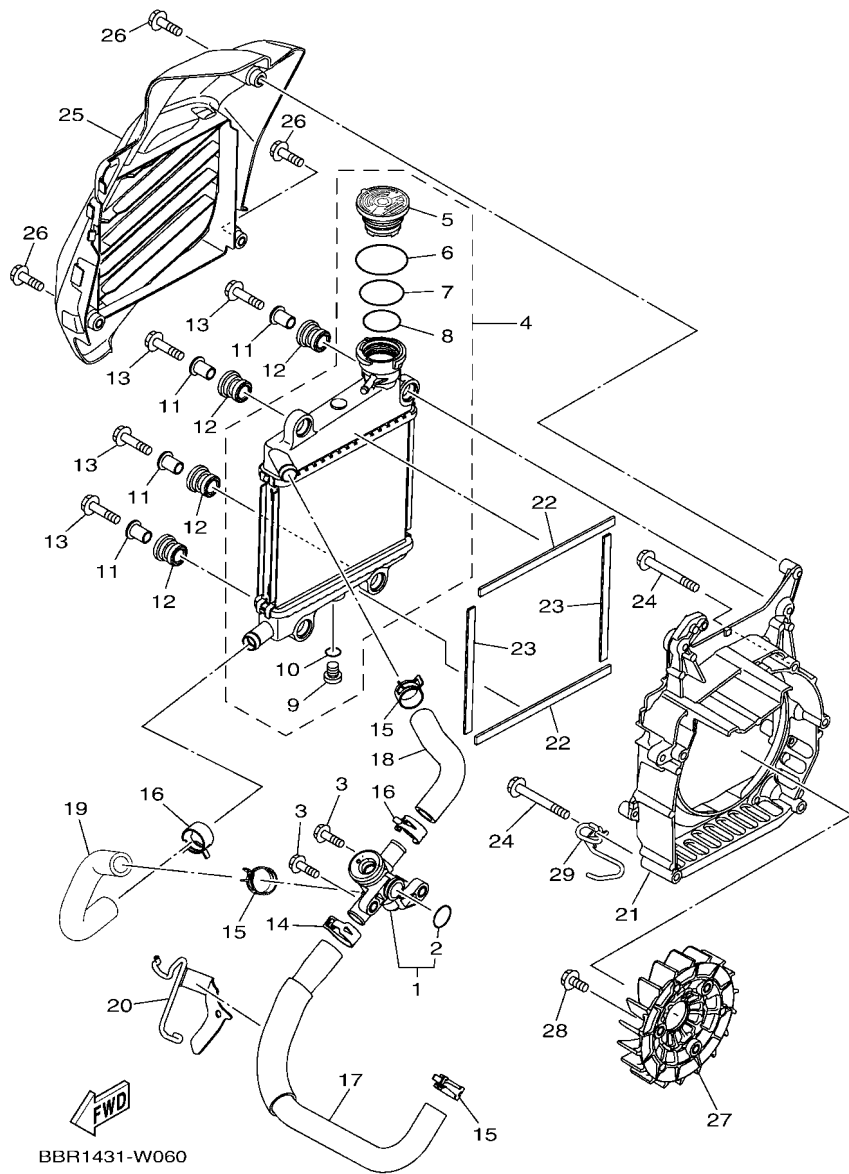


FIG. 6 RADIATOR & HOSE

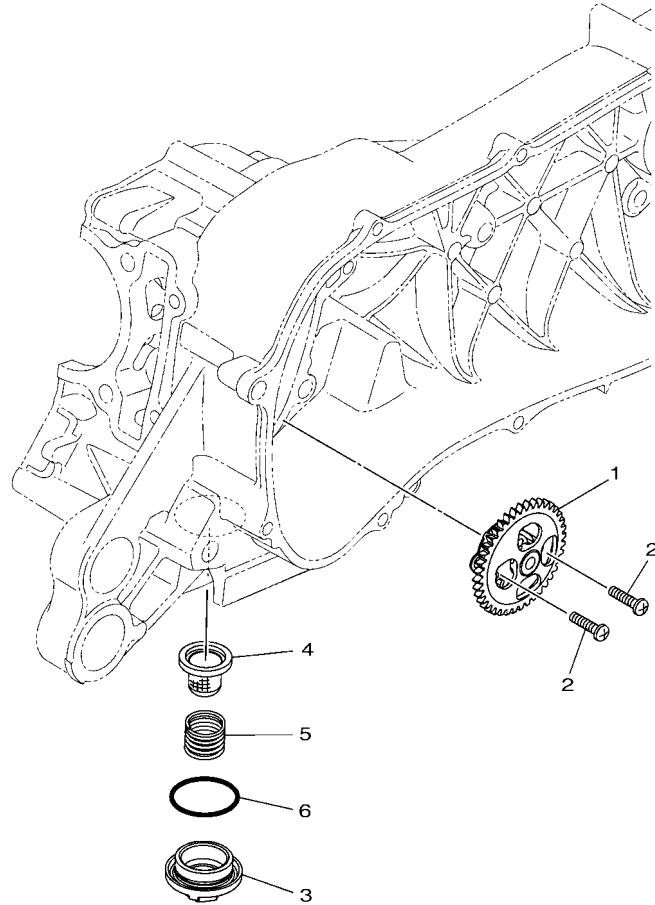
REF. NO.	PART NO.	DESCRIPTION	BDL8	BDL9	REMARKS
1	2DP-E2410-00	THERMOSTAT ASSY	1	1	
2	52S-12439-00	.O-RING	1	1	
3	95E32-06020	BOLT, FLANGE DEEP RECESS	2	2	
4	B6H-E240A-01	RADIATOR ASSY	1	1	
5	B65-E2462-02	.CAP, RADIATOR	1	1	
6	B63-E22A2-00	.O-RING	1	1	
7	B63-E2439-00	.O-RING	1	1	
8	B63-E2843-00	.O-RING	1	1	
9	5ST-E2615-00	.COCK, DRAIN	1	1	
10	5ST-E2843-00	.O-RING	1	1	
11	90387-08823	COLLAR	4	4	
12	90480-14833	GROMMET	4	4	
13	95D32-06030	BOLT, FLANGE DEEP RECESS	4	4	
14	90467-20806	CLIP	1	1	
15	90467-19803	CLIP	3	3	
16	90467-19803	CLIP	2	2	
17	B6H-E2481-10	PIPE 1	1	1	
18	B6H-E2482-00	PIPE 2	1	1	
19	B6H-E2483-00	PIPE 3	1	1	
20	B6H-E2491-00	CLAMP 1	1	1	
21	B6H-E2621-01	CASE, FAN	1	1	
22	90520-10853	DAMPER, PLATE	2	2	
23	90520-10855	DAMPER, PLATE	2	2	
24	95E32-06050	BOLT, FLANGE DEEP RECESS	5	5	
25	BBN-E2467-00	COVER, RADIATOR	1	1	
26	95E32-06020	BOLT, FLANGE DEEP RECESS	3	3	
27	B65-E2611-00	FAN	1	1	

FIG. 6 RADIATOR & HOSE



REF. NO.	PART NO.	DESCRIPTION	BDL 8	BDL 9	REMARKS
28	95D32-06016	BOLT, FLANGE DEEP RECESS	3	3	
29	BAL-E8179-00	GUIDE	1	1	

FIG. 7 OIL PUMP



REF. NO.	PART NO.	DESCRIPTION	BDL8	BDL9				REMARKS
1	B6H-E3300-01	OIL PUMP ASSY	1	1				
2	98502-05020	SCREW, PAN HEAD	2	2				
3	54P-E5351-01	STRAIGHT SCREW BOLT	1	1				
4	54P-E3411-00	STRAINER, OIL	1	1				
5	90501-16004	SPRING, COMPRESSION	1	1				
6	93210-29800	O-RING	1	1				
<hr/>								
<hr/>								
<hr/>								
<hr/>								
<hr/>								
<hr/>								
<hr/>								
<hr/>								



 B6H1460-U070

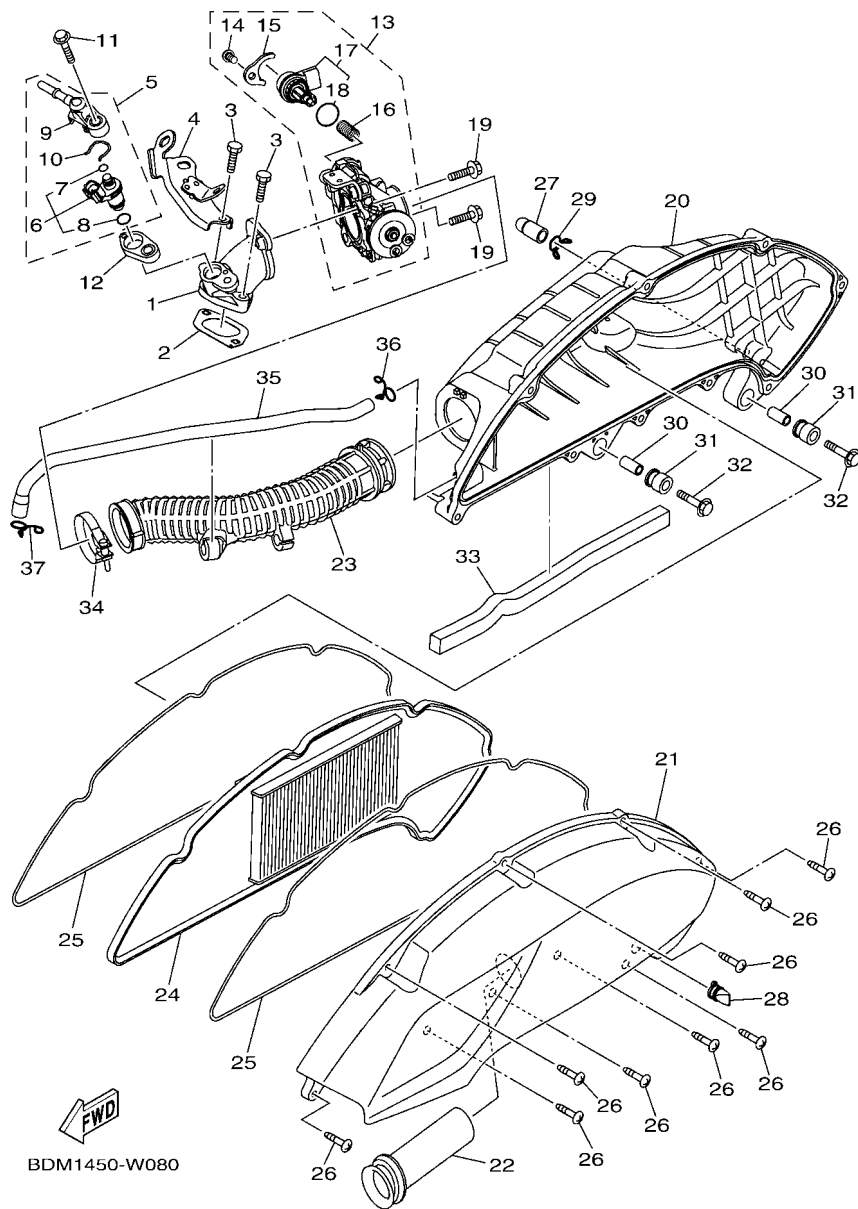


FIG. 8 INTAKE

REF. NO.	PART NO.	DESCRIPTION	BDL8	BDL9	REMARKS
1	B6H-E3585-00	MANIFOLD	1	1	
2	B6H-E4199-00	GASKET	1	1	
3	91332-06025	BOLT	2	2	
4	BBP-E4146-00	PLATE	1	1	
5	2PV-E3770-00	INJECTOR ASSY	1	1	
6	2PV-E3761-00	.INJECTOR	1	1	
7	54P-E4147-00	.O-RING	1	1	
8	5CA-E4147-00	.O-RING	1	1	
9	54P-E3938-00	.PIPE	1	1	
10	54P-E4137-00	.CLIP	1	1	
11	95D32-06030	BOLT, FLANGE DEEP RECESS	1	1	
12	2DP-E3556-00	GASKET, MANIFOLD	1	1	
13	B65-E3750-10	THROTTLE BODY ASSY	1	1	
14	98502-06012	.SCREW, PAN HEAD	1	1	
15	54P-E4243-00	.PLATE	1	1	
16	54P-E4335-00	.SPRING, PLUNGER	1	1	
17	B63-H5801-00	.STEPPING MOTOR	1	1	
18	54P-E416A-00	.O-RING	1	1	
19	90110-06846	BOLT, HEXAGON SOCKET HEAD	2	2	
20	B6H-E4411-10	CASE, AIR CLEANER 1	1	1	
21	B6H-E4412-10	CAP, CLEANER CASE 1	1	1	
22	B6H-E4437-00	DUCT	1	1	
23	B6H-E4453-00	JOINT, AIR CLEANER 1	1	1	
24	B6H-E4451-00	ELEMENT, AIR CLEANER	1	1	
25	B6H-E4452-10	SEAL	2	2	
26	97707-50025	SCREW, TAPPING	9	9	
27	5TL-E443E-00	PIPE, DRAIN	1	1	

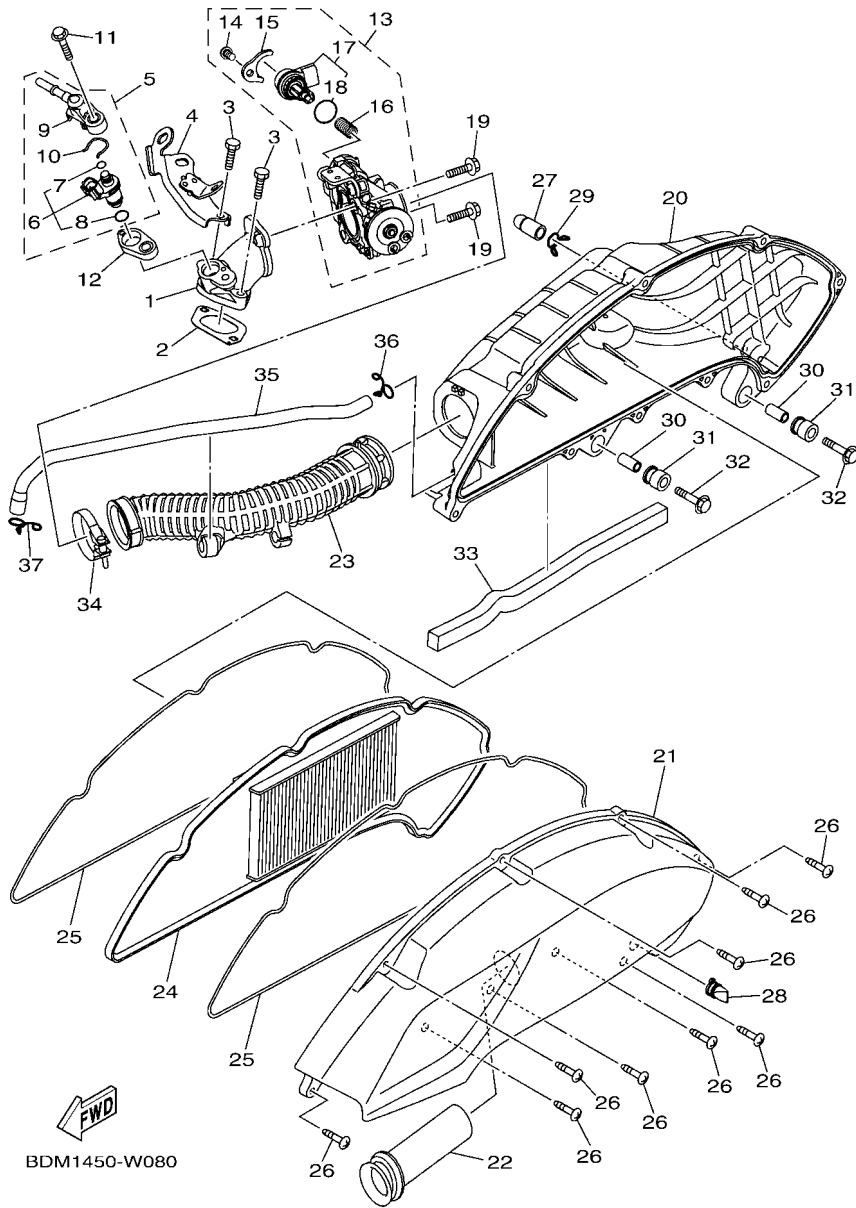
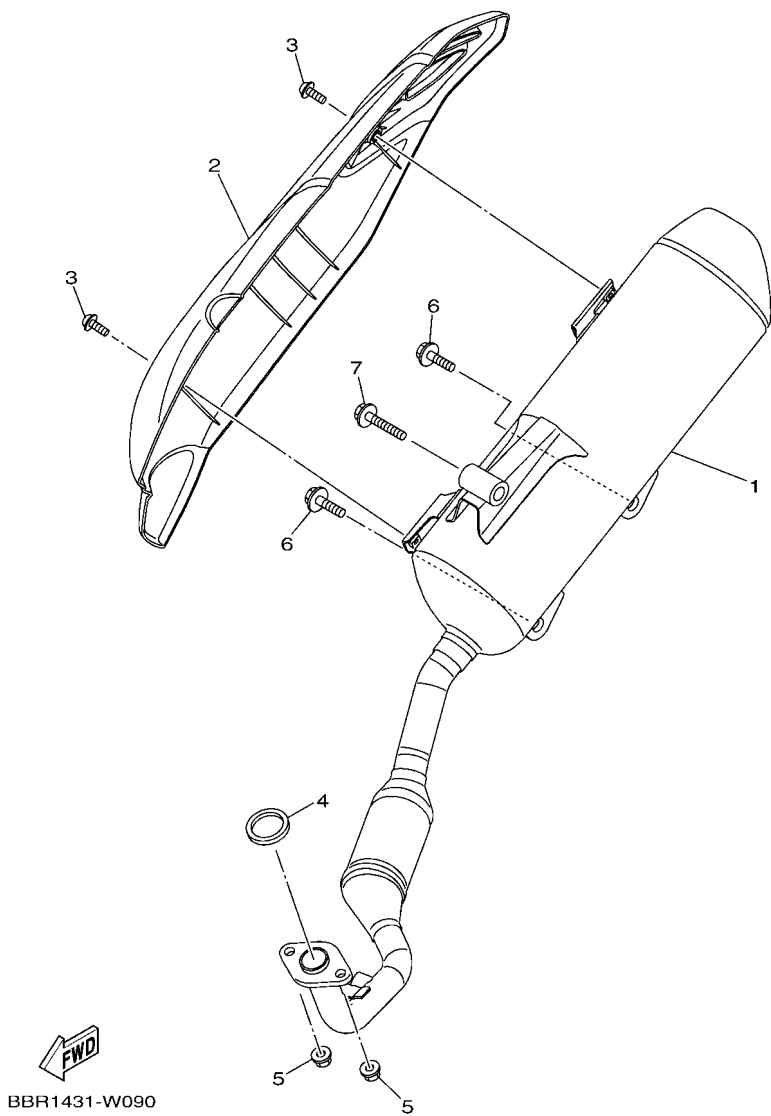


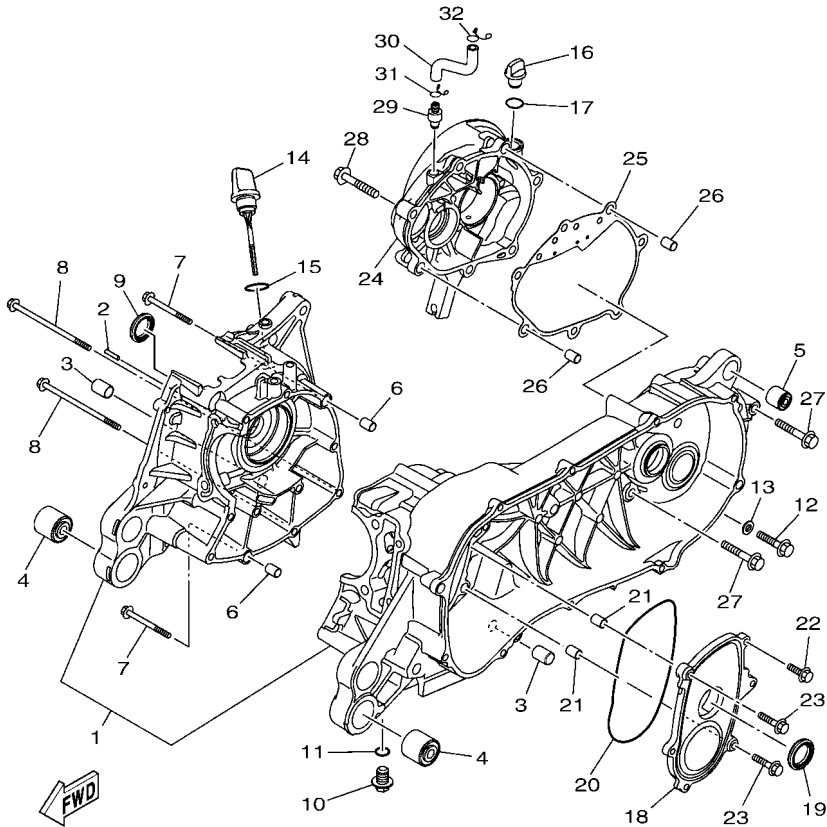
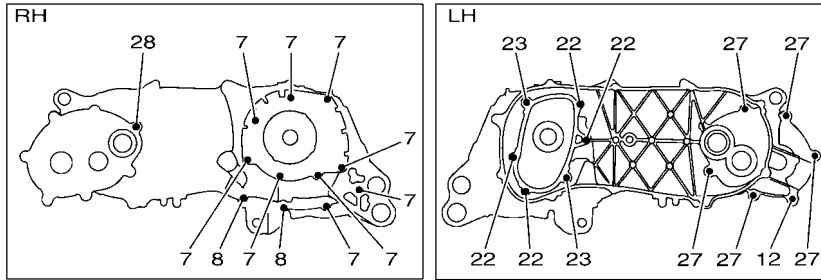
FIG. 8 INTAKE

REF. NO.	PART NO.	DESCRIPTION			REMARKS
			BDL8	BDL9	
28	B5D-E443G-00	PIPE, DRAIN 2	1	1	
29	90467-12809	CLIP	1	1	
30	B74-E4449-00	COLLAR	2	2	
31	B6H-E4435-00	GROMMET	2	2	
32	95D32-06030	BOLT, FLANGE DEEP RECESS	2	2	
33	90520-15816	DAMPER, PLATE	1	1	
34	90450-43805	HOSE CLAMP ASSY	1	1	
35	BBP-E1166-00	PIPE, BREATHER 1	1	1	
36	90467-11825	CLIP	1	1	
37	90467-12052	CLIP	1	1	

FIG. 9 EXHAUST



REF. NO.	PART NO.	DESCRIPTION	BDL8	BDL9	REMARKS
1	BBR-E4711-10	MUFFLER 1	1	1	
2	B6H-E4718-00	PROTECTOR, MUFFLER 1	1	1	
3	90111-06860	BOLT, HEXAGON SOCKET BUTTON	2	2	
4	2DP-E4613-00	GASKET, EXHAUST PIPE	1	1	UR EITHER CAN USE
	B63-E4613-00	GASKET, EXHAUST PIPE	1	1	UR EITHER CAN USE
	BK7-E4613-00	GASKET, EXHAUST PIPE	1	1	UR EITHER CAN USE
5	95702-08500	NUT, FLANGE	2	2	
6	95D32-10045	BOLT, FLANGE DEEP RECESS	2	2	
7	95D32-10060	BOLT, FLANGE DEEP RECESS	1	1	



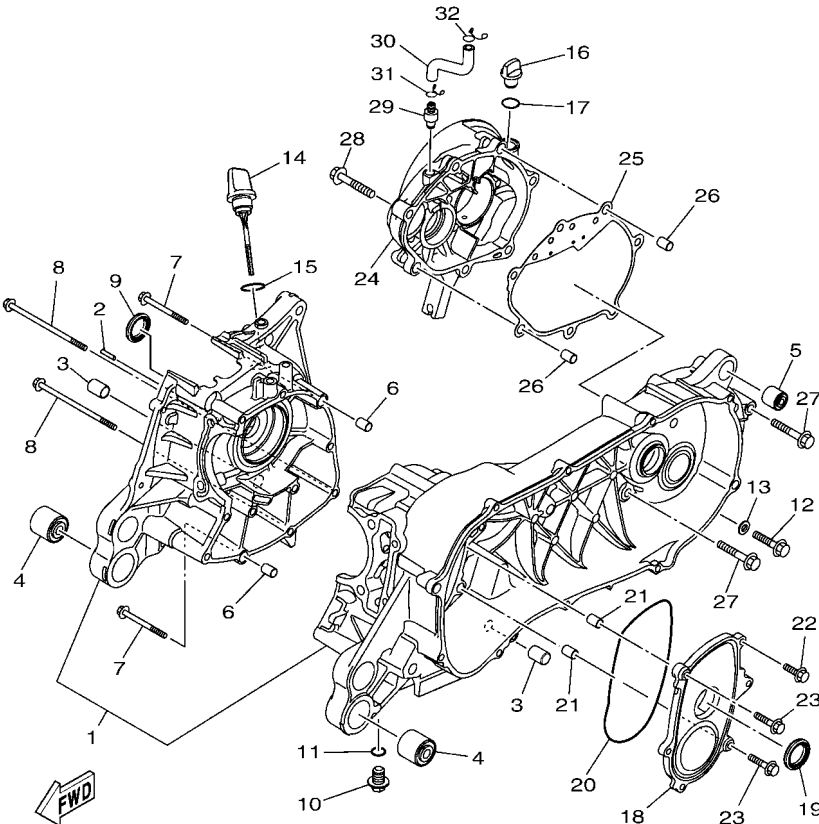
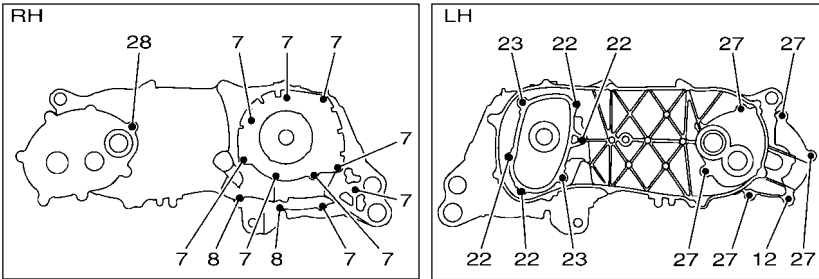
BBP1460-W100

FIG. 10 CRANKCASE

REF. NO.	PART NO.	DESCRIPTION			REMARKS
			BDL8	BDL9	
1	B6H-E5150-00	CRANKCASE ASSY	1	1	
2	99480-03012	PIN	1	1	
3	54P-F7121-00	BUSH	2	2	
4	90388-10808	DAMPER	2	2	
5	4D1-F2216-00	BUSH, REAR SHOCK ABSORBER	1	1	
6	99530-10114	PIN, DOWEL	2	2	
7	95E32-06060	BOLT, FLANGE DEEP RECESS	9	9	
8	95E32-06110	BOLT, FLANGE DEEP RECESS	2	2	
9	93102-22829	OIL SEAL	1	1	
10	90340-12816	BOLT, STRAIGHT SCREW	1	1	
11	90430-12803	GASKET	1	1	
12	95D32-08035	BOLT, FLANGE DEEP RECESS	1	1	
13	90430-08804	GASKET	1	1	
14	BBP-E5362-00	PLUG, OIL LEVEL	1	1	
15	5LW-E3769-00	O-RING	1	1	
16	5LW-E5363-00	PLUG, OIL	1	1	
17	93210-14816	O-RING	1	1	
18	B65-E5423-01	COVER 2	1	1	
19	93102-24802	OIL SEAL	1	1	
20	93211-28800	O-RING	1	1	
21	99530-10114	PIN, DOWEL	2	2	
22	95E32-06020	BOLT, FLANGE DEEP RECESS	4	4	
23	95E32-06030	BOLT, FLANGE DEEP RECESS	2	2	
24	BBP-E5421-00	COVER, CRANKCASE 2	1	1	
25	B6H-E5461-10	GASKET, CRANKCASE COVER 2	1	1	
26	99530-10114	PIN, DOWEL	2	2	
27	95E32-08045	BOLT, FLANGE DEEP RECESS	5	5	

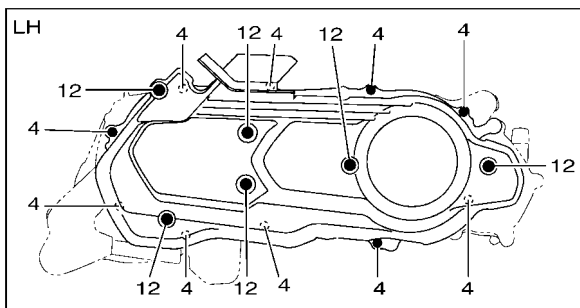
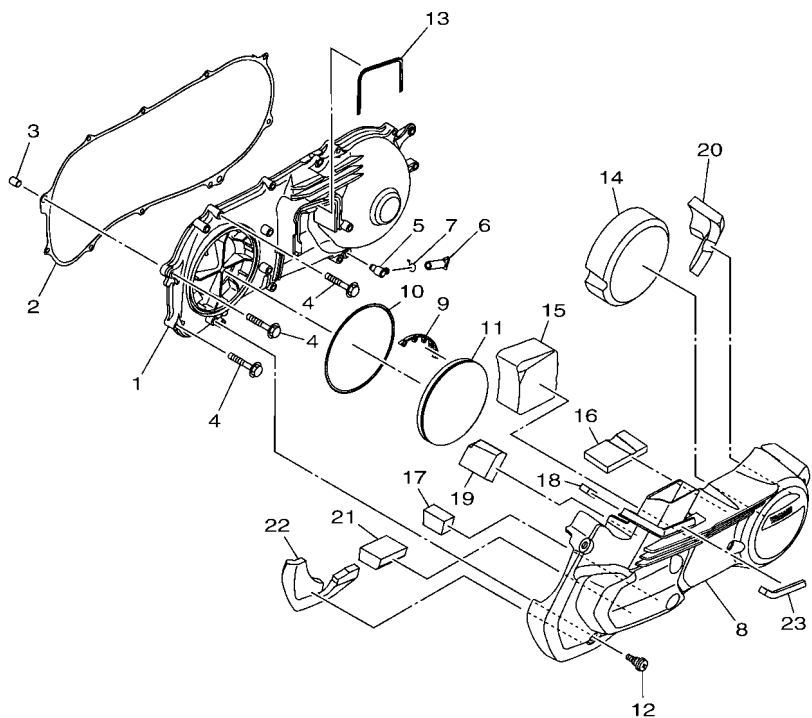
FIG. 10 CRANKCASE

REF. NO.	PART NO.	DESCRIPTION	BDL8	BDL9	REMARKS
28	95E32-08035	BOLT, FLANGE DEEP RECESS	1	1	
29	B6H-E5371-00	BREATHER	1	1	
30	B6H-E5373-00	PIPE, BREATHER	1	1	
31	90467-10008	CLIP	1	1	
32	90467-11825	CLIP	1	1	



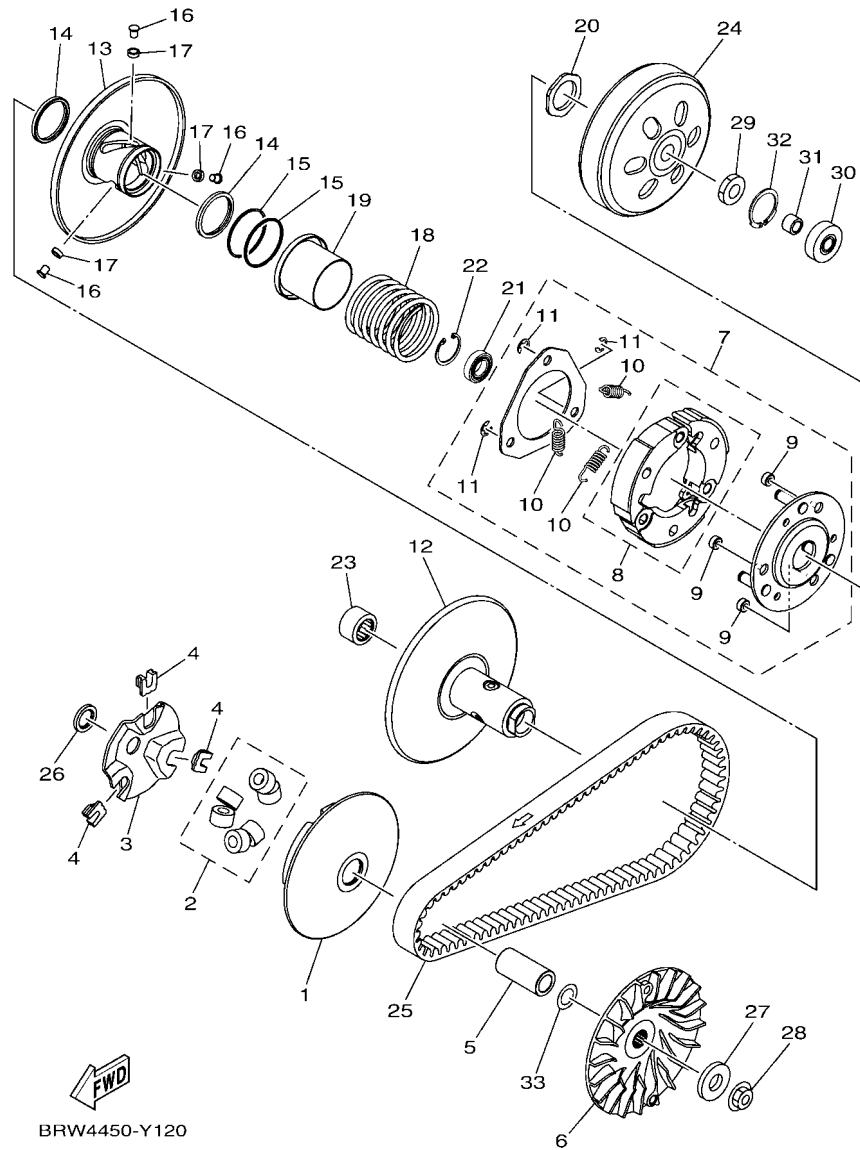
BBP1460-W100

FIG. 11 CRANKCASE COVER 1



B6H1460-U110

REF. NO.	PART NO.	DESCRIPTION	BDL8	BDL9	REMARKS
1	B6H-E5411-01	COVER, CRANKCASE 1	1	1	
2	B6H-E5451-00	GASKET, CRANKCASE COVER 1	1	1	
3	99530-10114	PIN, DOWEL	1	1	
4	95E32-06035	BOLT, FLANGE DEEP RECESS	10	10	
5	5LW-E5371-01	BREATHER	1	1	
6	BBP-E443E-00	PIPE, DRAIN	1	1	
7	90467-11106	CLIP	1	1	
8	B6H-E5431-00	COVER, CRANKCASE 3	1	1	
9	2DP-E5495-00	RUBBER SEAL	1	1	
10	B65-E5472-00	SEAL, AIR DUCT	1	1	
11	2DP-E5407-00	ELEMENT 1	1	1	
12	B63-E5481-00	BOLT 1	6	6	
13	2DP-E5474-00	SEAL, AIR DUCT	1	1	
14	B6H-E5316-00	DAMPER 1	1	1	
15	B6H-E5326-00	DAMPER 2	1	1	
16	90520-10856	DAMPER, PLATE	1	1	
17	90520-40801	DAMPER, PLATE	1	1	
18	90520-10851	DAMPER, PLATE	1	1	
19	90520-50801	DAMPER, PLATE	1	1	
20	B6H-E533C-00	DAMPER 7	1	1	
21	90520-40800	DAMPER, PLATE	1	1	
22	B6H-E533E-00	DAMPER 9	1	1	
23	90520-10855	DAMPER, PLATE	1	1	



BRW4450-Y120

FIG. 12 CLUTCH

REF. NO.	PART NO.	DESCRIPTION	BDL8	BDL9			REMARKS
1	BBP-E7620-00	PRIMARY SLIDING SHEAVE COMP.	1	1			
2	BBP-WE763-00	WEIGHT SET	1	1			
3	2DP-E7623-00	CAM	1	1			
4	44D-E7653-00	SLIDER	3	3			
5	B6H-E7674-00	COLLAR, GUIDE	1	1			
6	2DP-E7611-00	SHEAVE, PRIMARY FIXED	1	1			
7	BBP-E6620-00	CLUTCH CARRIER ASSY	1	1			
8	B65-WE662-00	.CLUTCH WEIGHT SHOE SET	1	1			
9	54P-E6629-00	.DAMPER, CLUTCH WEIGHT	3	3			
10	B65-E6626-00	.SPRING, CLUTCH WEIGHT 1	3	3			
11	54P-E6819-00	.CIRCLIP, CLUTCH	3	3			
12	B6H-E7660-00	SECONDARY FIXED SHEAVE COMP.	1	1			
13	BBP-E7670-00	SECONDARY SLIDING SHEAVE	1	1			
14	2DP-E7465-00	SEAL	2	2			
15	2DP-E7465-10	SEAL	2	2			
16	B74-E7664-00	PIN, GUIDE	3	3			
17	2DP-E7674-10	COLLAR, GUIDE	3	3			
18	BBP-E7683-00	SPRING, SECONDARY	1	1			
19	2DP-E7684-00	SEAT, SECONDARY SPRING	1	1			
20	2DP-E7668-00	NUT	1	1			
21	B6H-E7678-00	BEARING	1	1			
22	2DP-E5744-00	CIRCLIP	1	1			
23	2DP-E7678-10	BEARING	1	1			
24	BBP-E6611-00	CLUTCH HOUSING COMP.	1	1			
25	B8R-E7641-00	V-BELT	1	1			
26	90201-16819	WASHER, PLATE	1	1			
27	90201-15849	WASHER, PLATE	1	1			

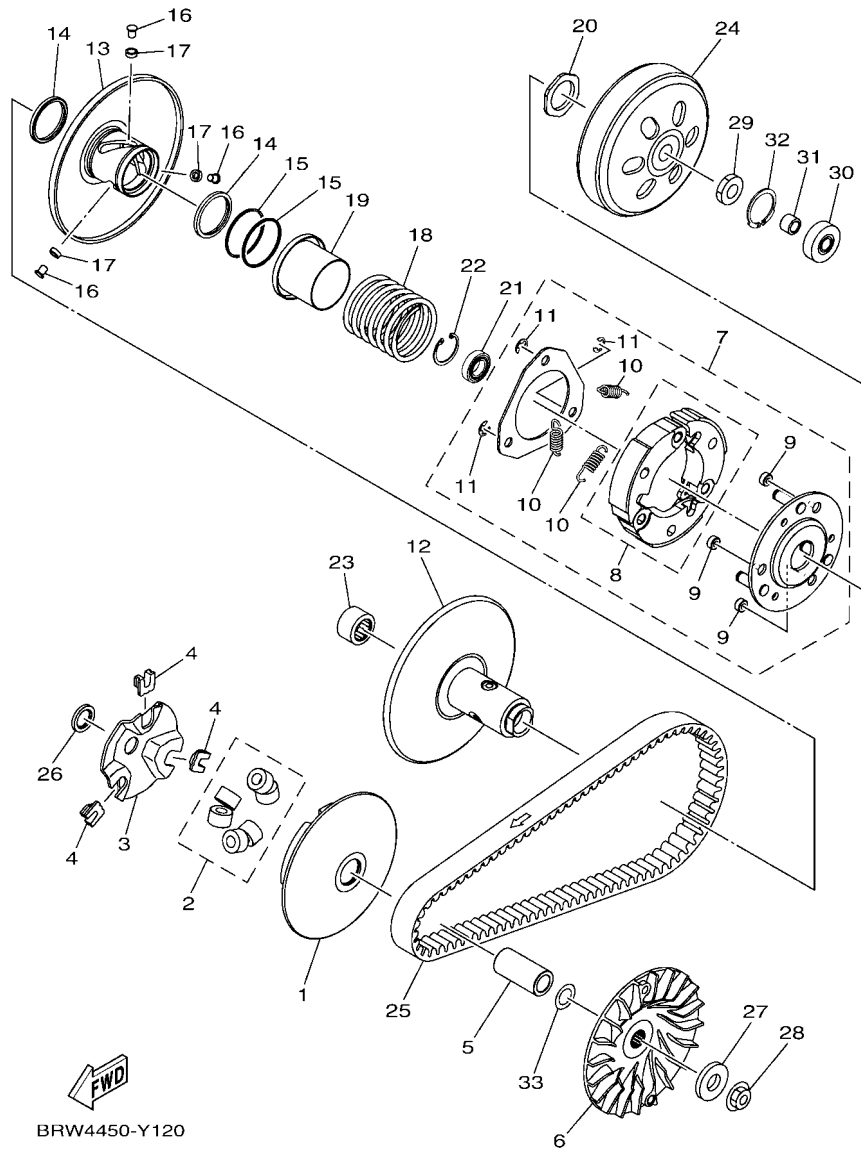
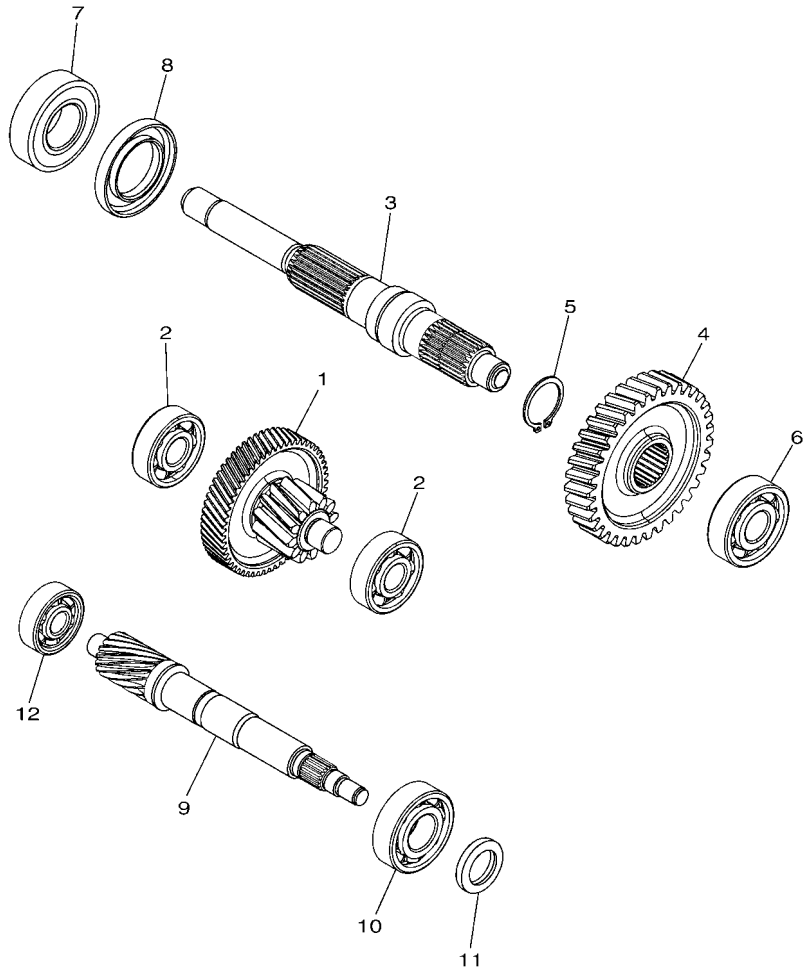


FIG. 12 CLUTCH

REF. NO.	PART NO.	DESCRIPTION	BDL8	BDL9	REMARKS
28	90179-12004	NUT	1	1	
29	90170-12802	NUT	1	1	
30	93306-252XT	BEARING	1	1	
31	90380-10800	BUSH, SOLID	1	1	
32	99009-35700	CIRCLIP	1	1	
33	90201-15828	WASHER, PLATE	1	1	




 2DP1460-P140

FIG. 13 TRANSMISSION

REF. NO.	PART NO.	DESCRIPTION	BDL8	BDL9	REMARKS
1	B65-E7410-30	MAIN AXLE COMP. (13T/56T)	1	1	
2	93306-302YP	BEARING	2	2	
3	B65-E7421-00	AXLE, DRIVE	1	1	
4	B65-E7211-10	GEAR, 1ST WHEEL (40T)	1	1	
5	99009-25400	CIRCLIP	1	1	
6	93306-303YT	BEARING	1	1	
7	93306-255X5	BEARING	1	1	
8	93102-32807	OIL SEAL	1	1	
9	B65-E6111-01	GEAR, PRIMARY DRIVE (16T)	1	1	
10	93306-254Y2	BEARING	1	1	
11	93102-20815	OIL SEAL	1	1	
12	93306-351Y5	BEARING	1	1	

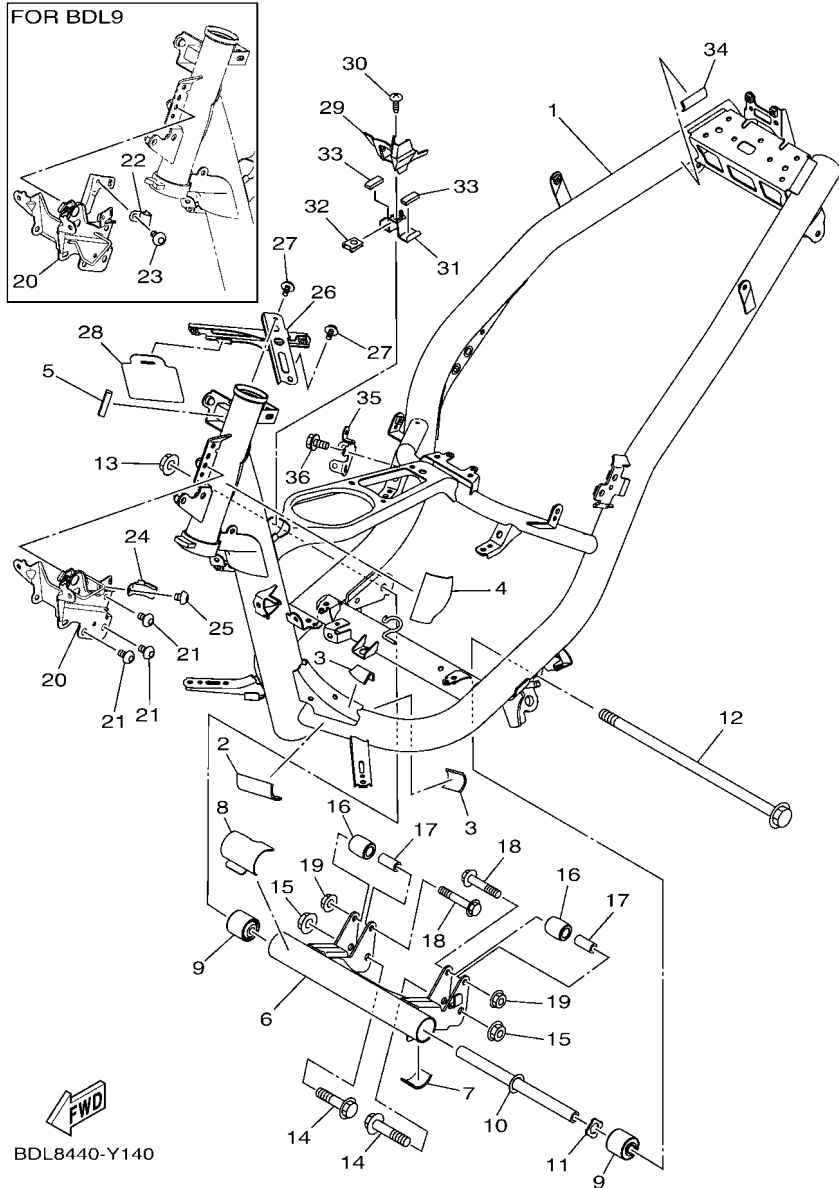


FIG. 14 FRAME

REF. NO.	PART NO.	DESCRIPTION	BDL8	BDL9	REMARKS
1	BBP-F1110-00	FRAME COMP.	1	1	
2	5D9-F414G-00	SEAL	1	1	
3	5D9-F414G-10	SEAL	2	2	
4	90520-02829	DAMPER, PLATE	1	1	
5	90520-08803	DAMPER, PLATE	1	1	
6	BBP-F1410-00	ENGINE BRACKET COMP.	1	1	
7	BBP-F414G-00	SEAL	1	1	
8	B65-F117G-00	PROTECTOR	1	1	
9	90388-10818	DAMPER	2	2	
10	90387-10857	COLLAR	1	1	
11	B65-F113B-00	DAMPER	1	1	
12	B65-F2141-00	SHAFT, PIVOT	1	1	
13	95602-10200	NUT, SELF-LOCKING	1	1	
14	90105-10283	BOLT, FLANGE	2	2	
15	95602-10200	NUT, SELF-LOCKING	2	2	
16	44D-F7114-00	STOPPER, MAIN STAND	2	2	
17	90387-08821	COLLAR	2	2	
18	90105-088E3	BOLT, FLANGE	2	2	
19	95602-08200	NUT, U FLANGE	2	2	
20	BBP-F8356-00	STAY 1	1		
	BBP-F8356-10	STAY 1		1	
21	92012-08012	BOLT, BUTTON HEAD	3	3	
22	B65-F5887-00	HOLDER, BRAKE HOSE 3	1		
23	92012-06010	BOLT, BUTTON HEAD	1		
24	B65-F587A-10	HOLDER, BRAKE HOSE 4	1	1	
25	92012-06010	BOLT, BUTTON HEAD	1	1	
26	B65-F8358-10	STAY 3	1	1	

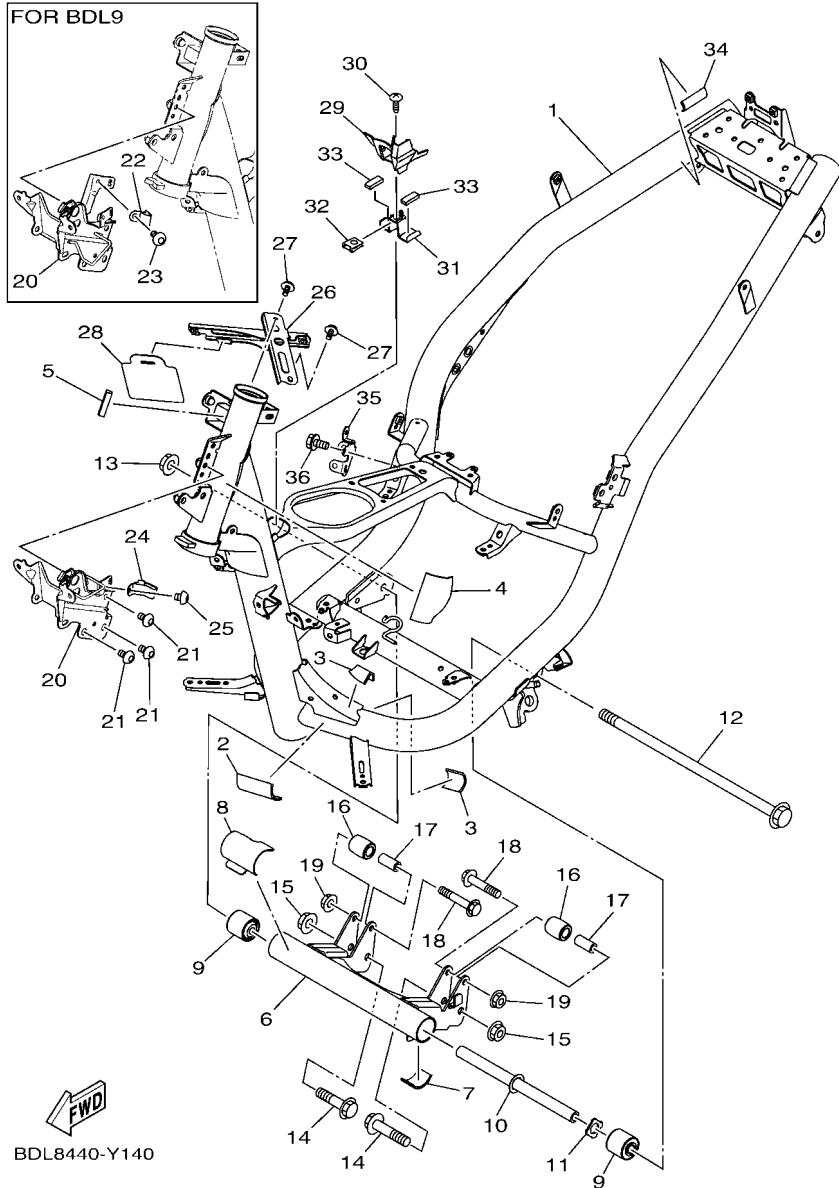


FIG. 14 FRAME

REF. NO.	PART NO.	DESCRIPTION	BDL8	BDL9	REMARKS
27	95D32-06010	BOLT, FLANGE DEEP RECESS	2	2	
28	B65-F1521-00	FLAP, FRONT FENDER	1	1	
29	B65-F472T-00	COVER, SEAT LOCK	1	1	
30	97707-50016	SCREW, TRUSS HEAD TAPPING	1	1	
31	B65-F4738-00	BRACKET, SEAT	1	1	
32	90183-05807	NUT, SPRING	1	1	
33	90520-05815	DAMPER, PLATE	2	2	
34	90520-10834	DAMPER, PLATE	1	1	
35	BBP-F194U-00	STAY, IGNITION COIL	1	1	
36	95E32-06012	BOLT, FLANGE DEEP RECESS	1	1	

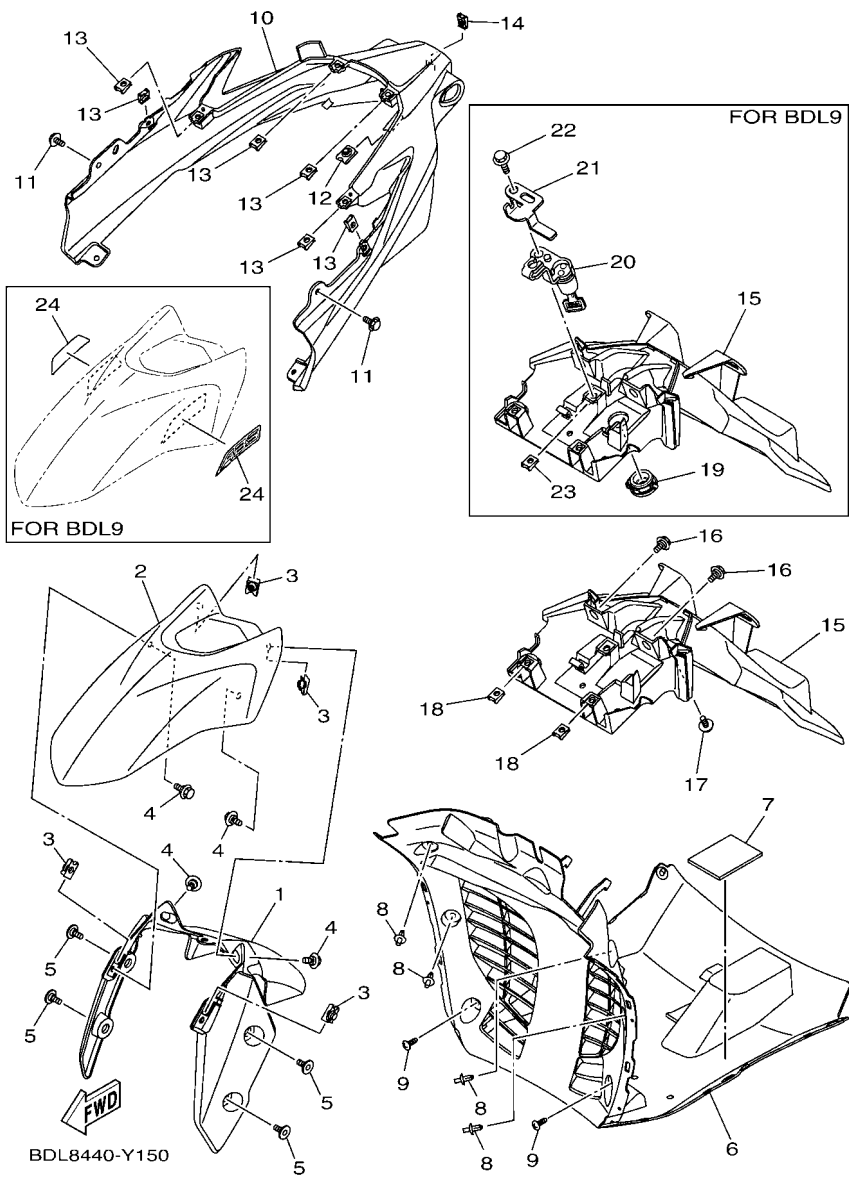
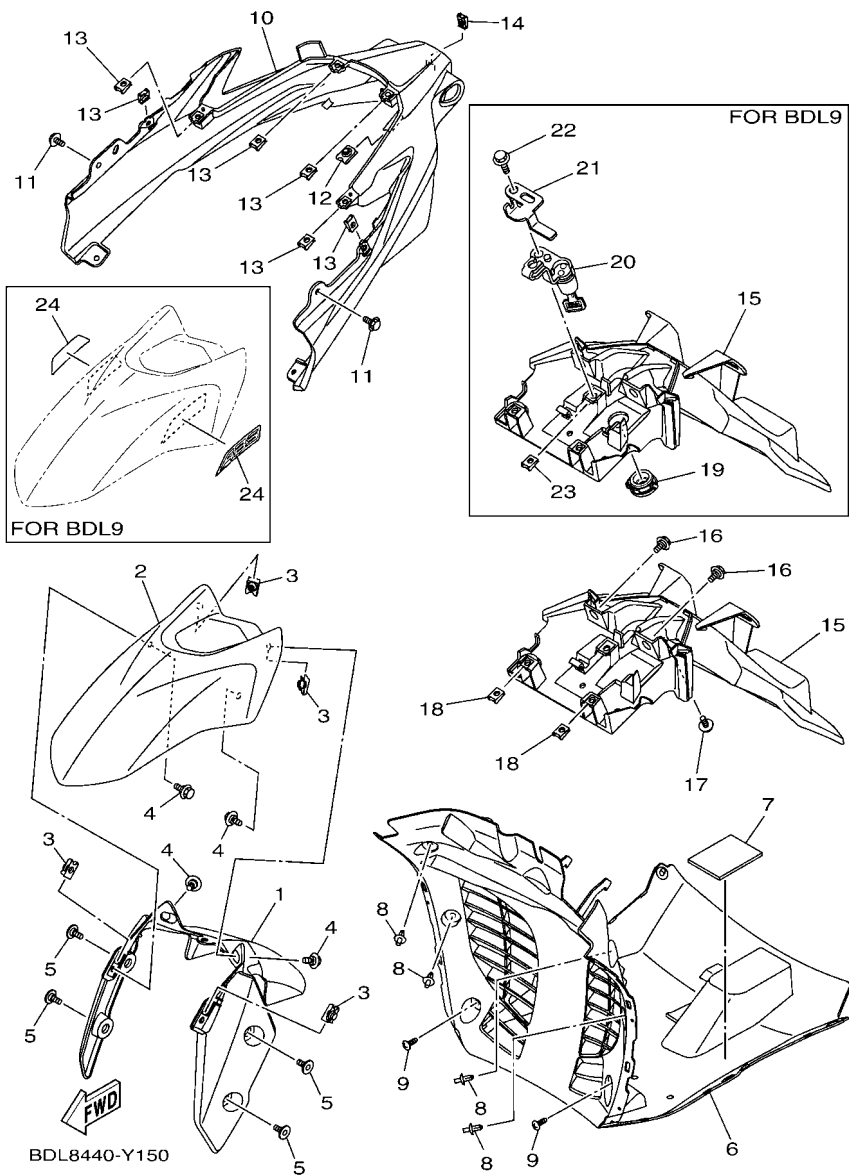


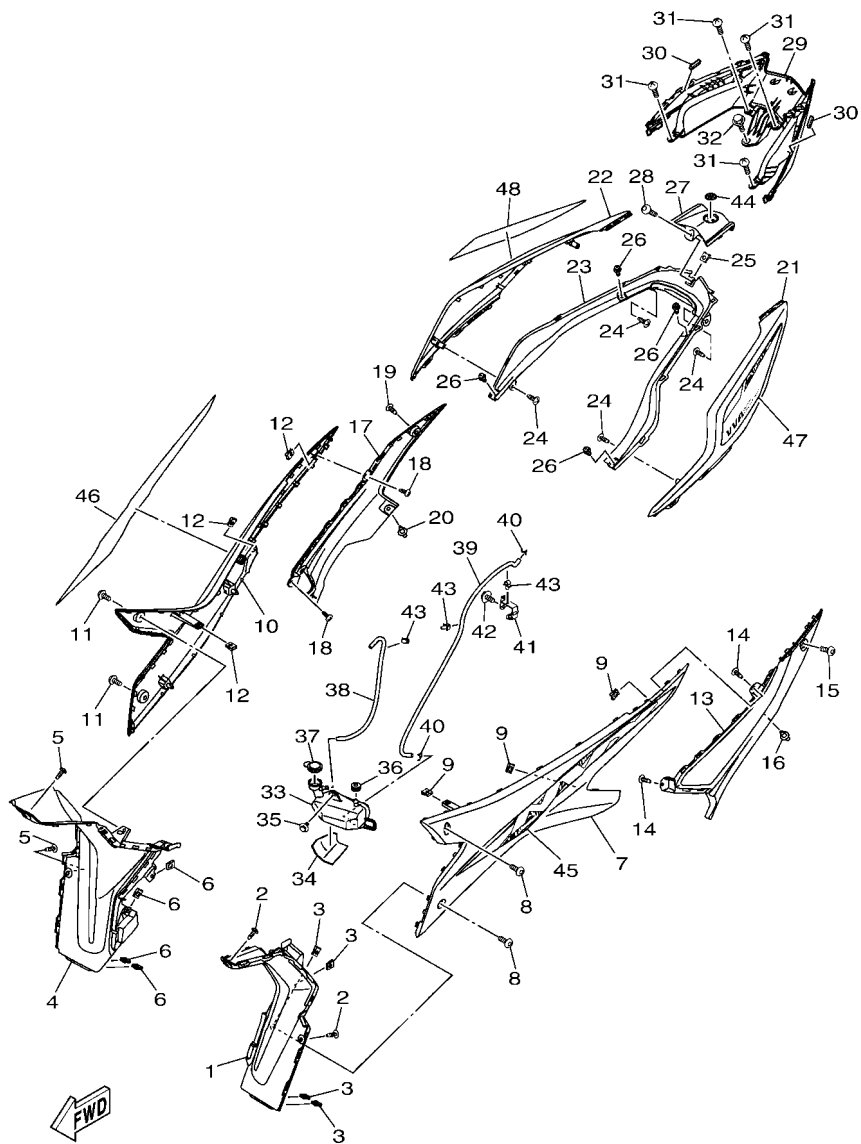
FIG. 15 FENDER

REF. NO.	PART NO.	DESCRIPTION	BDL8	BDL9	REMARKS
1	B65-F1511-00	FENDER, FRONT	1	1	
2	B65-F1556-00-PB	FENDER, FRONT 2	1		SM12 FOR MNM3,CM6
	B65-F1556-00-PM	FENDER, FRONT 2		1	MDPBM5 FOR WMB
	B65-F1556-00-PL	FENDER, FRONT 2		1	FOR MDNM8
3	90183-06818	NUT, SPRING	4	4	
4	90109-068B5	BOLT	4	4	
5	90109-068A4	BOLT	4	4	
6	BBP-F1552-00	FENDER, INNER	1	1	
7	90520-03020	DAMPER, PLATE	1	1	
8	90269-06816	RIVET	4	4	
9	97707-50016	SCREW, TRUSS HEAD TAPPING	2	2	
10	BBP-F1611-00	FENDER, REAR	1	1	
11	90119-06044	BOLT, WITH WASHER	2	2	
12	90183-06800	NUT, SPRING	1	1	
13	90183-05807	NUT, SPRING	6	6	
14	90183-04039	NUT, SPRING	1	1	
15	BBP-F162R-00	FENDER 2	1		
	BBP-F162R-10	FENDER 2		1	
16	90109-06172	BOLT	2	2	
17	90119-06096	BOLT, WITH WASHER	1	1	
18	90183-05807	NUT, SPRING	2	2	
19	B65-F482H-00	CAP		1	
20	B65-F465E-00	ROTOR COMP.		1	
21	B65-F117K-00	STAY, LOCK		1	
22	95022-06020	BOLT, FLANGE		1	
23	90183-06800	NUT, SPRING		1	
24	BDL-F1565-20	EMBLEM 2		2	UR FOR WMB

FIG. 15 FENDER



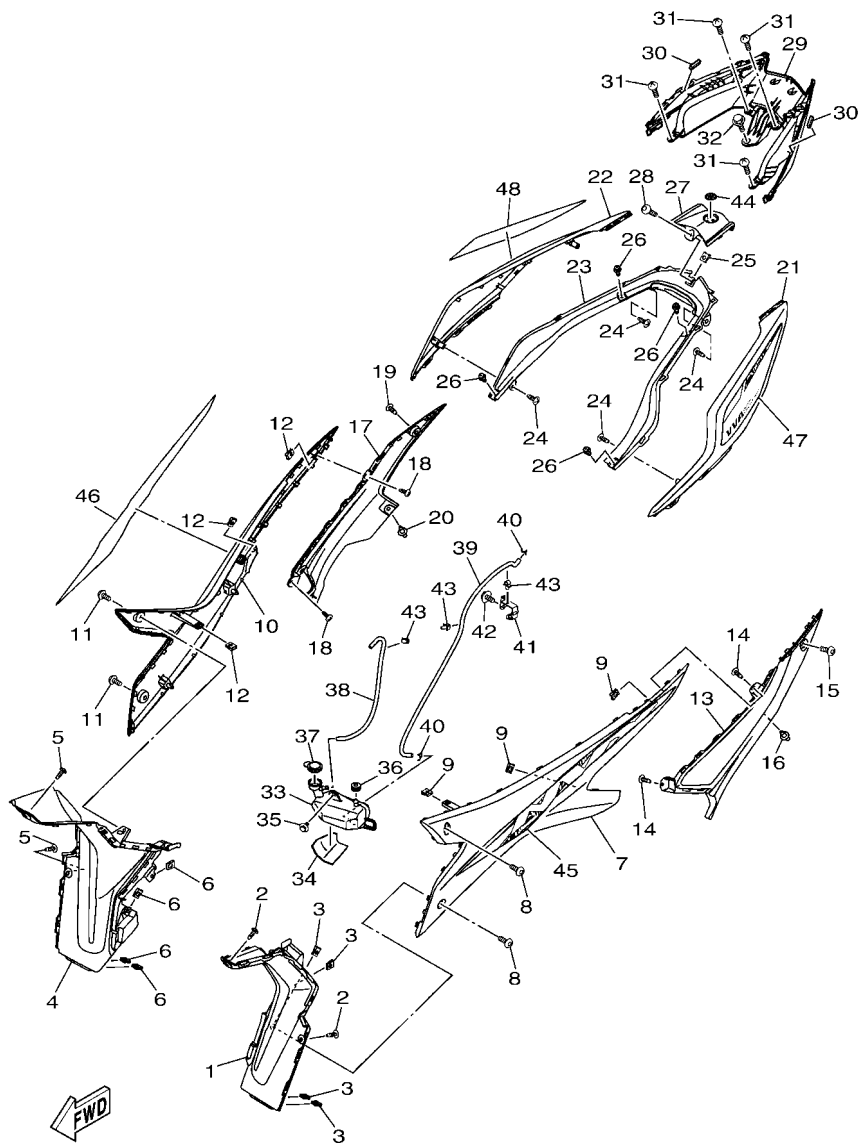
REF. NO.	PART NO.	DESCRIPTION	BDL8	BDL9	REMARKS
24	BDL-F1565-30	EMBLEM 2		2	UR FOR MDNM8



BDL8440-Y160

FIG. 16 SIDE COVER

REF. NO.	PART NO.	DESCRIPTION	BDL8	BDL9	REMARKS
1	BBP-F1711-00	COVER, SIDE 1	1		
2	90160-05814	SCREW, ROUND TAPPING	2		
3	90183-05807	NUT, SPRING	4		
4	BBP-F1721-00	COVER, SIDE 2	1		
5	90160-05814	SCREW, ROUND TAPPING	2		
6	90183-05807	NUT, SPRING	4		
7	BBP-F1731-00-P2	COVER, SIDE 3	1		SM12 FOR MNM3,CM6
8	90160-05814	SCREW, ROUND TAPPING	2		
9	90183-05807	NUT, SPRING	3		
10	BBP-F1741-00-P2	COVER, SIDE 4	1		SM12 FOR MNM3,CM6
11	90160-05814	SCREW, ROUND TAPPING	2		
12	90183-05807	NUT, SPRING	3		
13	BBP-F171N-00	MOLE, SIDE COVER 3	1		
14	97702-50012	SCREW, TAPPING	2		
15	90160-05814	SCREW, ROUND TAPPING	1		
16	90269-06816	RIVET	1		
17	BBP-F171R-00	MOLE, SIDE COVER 4	1		
18	97702-50012	SCREW, TAPPING	2		
19	90160-05814	SCREW, ROUND TAPPING	1		
20	90269-06816	RIVET	1		
21	BBP-F171E-00-PB	COVER, SIDE 5	1		UR FOR MNM3
	BBP-F171E-00-P8	COVER, SIDE 5	1		UR FOR CM6
22	BBP-F171X-00-PB	COVER, SIDE 6	1		UR FOR MNM3
	BBP-F171X-00-P8	COVER, SIDE 6	1		UR FOR CM6
23	BBP-F171T-00	MOLE, SIDE COVER 5	1		
24	97707-50016	SCREW, TRUSS HEAD TAPPING	4		
25	90183-05807	NUT, SPRING	1		

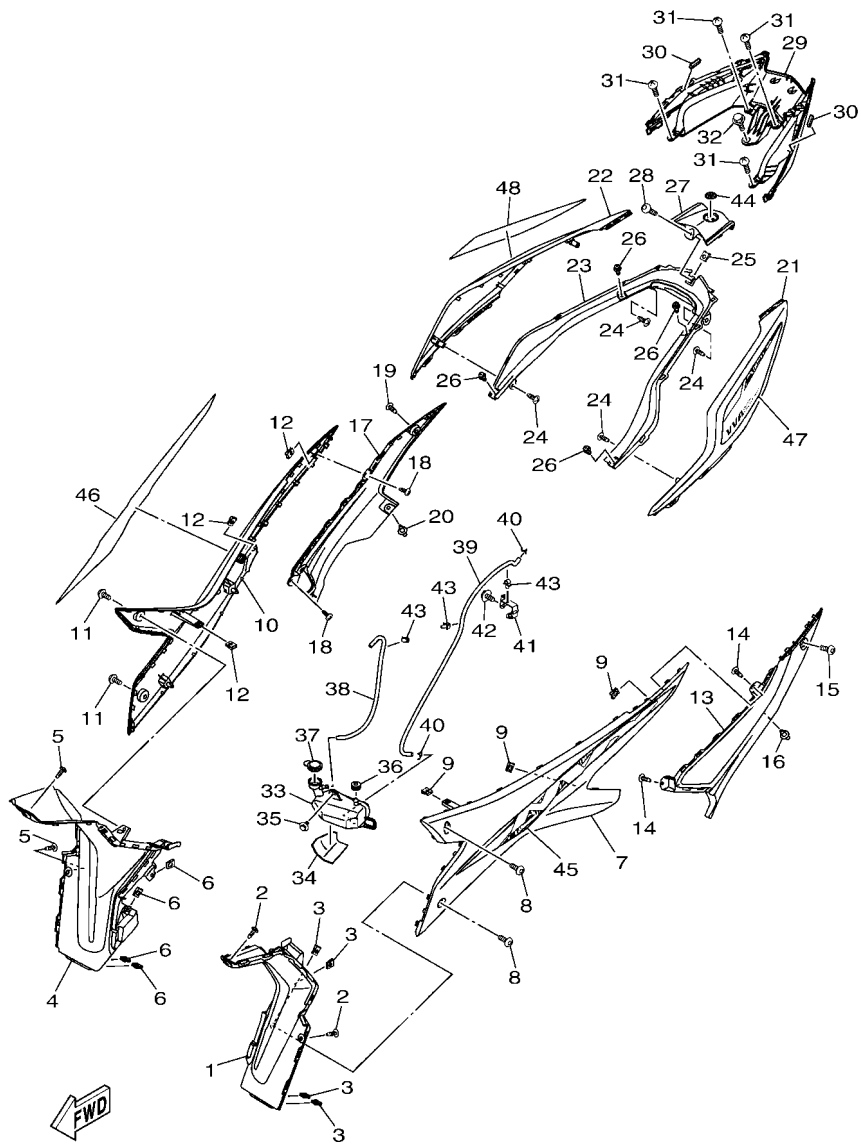


BDL8440-Y160

FIG. 16 SIDE COVER

REF. NO.	PART NO.	DESCRIPTION	BDL8	BDL9	REMARKS
26	90269-06812	RIVET	4		
27	BBP-F471K-00-PD	COVER, TAIL 1	1		UR FOR MNM3
	BBP-F471K-00-P8	COVER, TAIL 1	1		UR FOR CM6
28	90160-05814	SCREW, ROUND TAPPING	1		
29	BBP-F472K-00	COVER, TAIL 2	1		
30	90520-10850	DAMPER, PLATE	2		
31	97707-50016	SCREW, TRUSS HEAD TAPPING	4		
32	90109-068B5	BOLT	1		
33	B65-F1871-00	TANK, RECOVERY	1		
34	90520-02829	DAMPER, PLATE	1		
35	90109-068B5	BOLT	1		
36	90480-14808	GROMMET	1		
37	1S7-F1875-01	CAP	1		
38	B65-F1816-00	PIPE 1	1		
39	BBP-F1817-00	PIPE 2	1		
40	90467-08003	CLIP	2		
41	BBR-F2957-00	BRACKET, HOSE	1		
42	95D02-06012	BOLT, FLANGE DEEP RECESS	1		
43	90464-07805	CLAMP	3		
44	5P2-F1737-00	EMBLEM	1		
45	BDL-F173E-40	GRAPHIC 1	1		UR FOR MNM3
	BDL-F173E-50	GRAPHIC 1	1		UR FOR CM6
46	BDL-F173F-40	GRAPHIC 2	1		UR FOR MNM3
	BDL-F173F-50	GRAPHIC 2	1		UR FOR CM6
47	BDL-F174J-20	GRAPHIC 5	1		UR FOR MNM3
	BDL-F174J-30	GRAPHIC 5	1		UR FOR CM6
48	BDL-F174K-20	GRAPHIC 6	1		UR FOR MNM3

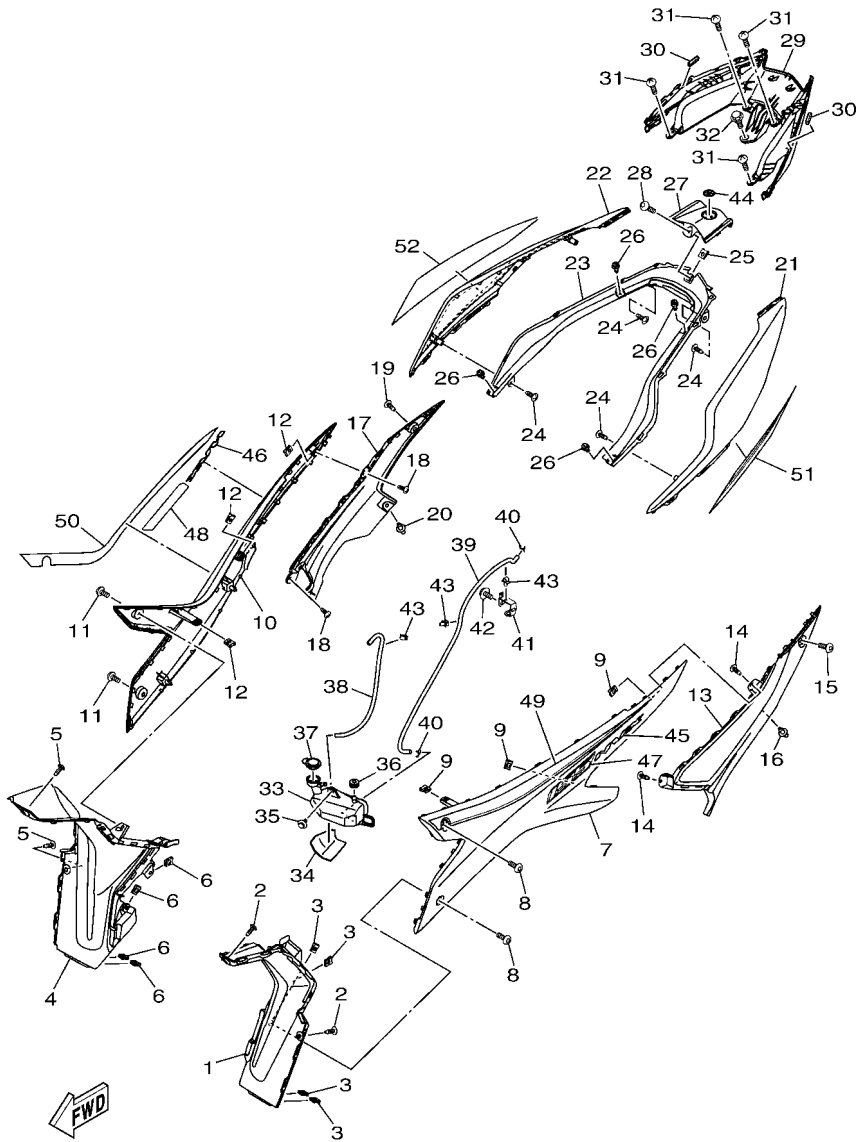
FIG. 16 SIDE COVER



BDL8440-Y160

REF. NO.	PART NO.	DESCRIPTION	BDL 8	BDL 9	REMARKS
48	BDL-F174K-30	GRAPHIC 6	1		UR FOR CM6

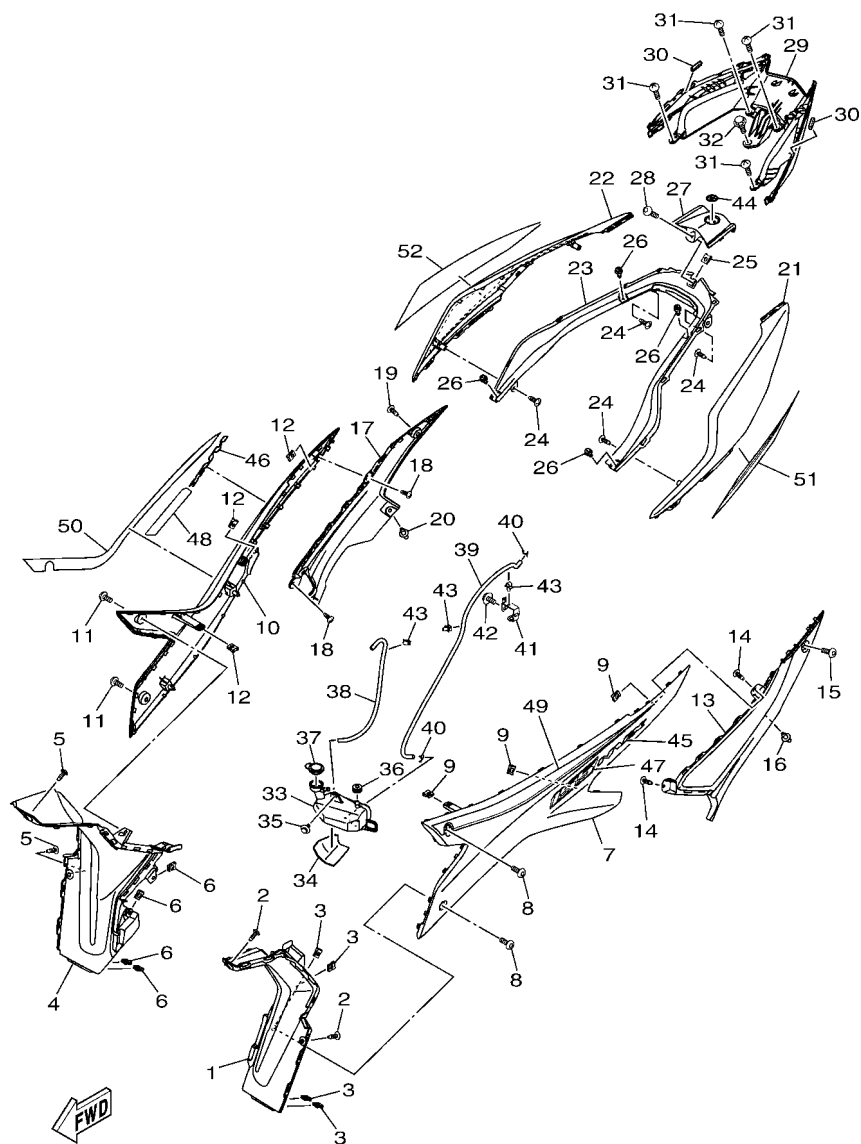
FIG. 17 SIDE COVER 2



BDL8440-Y170

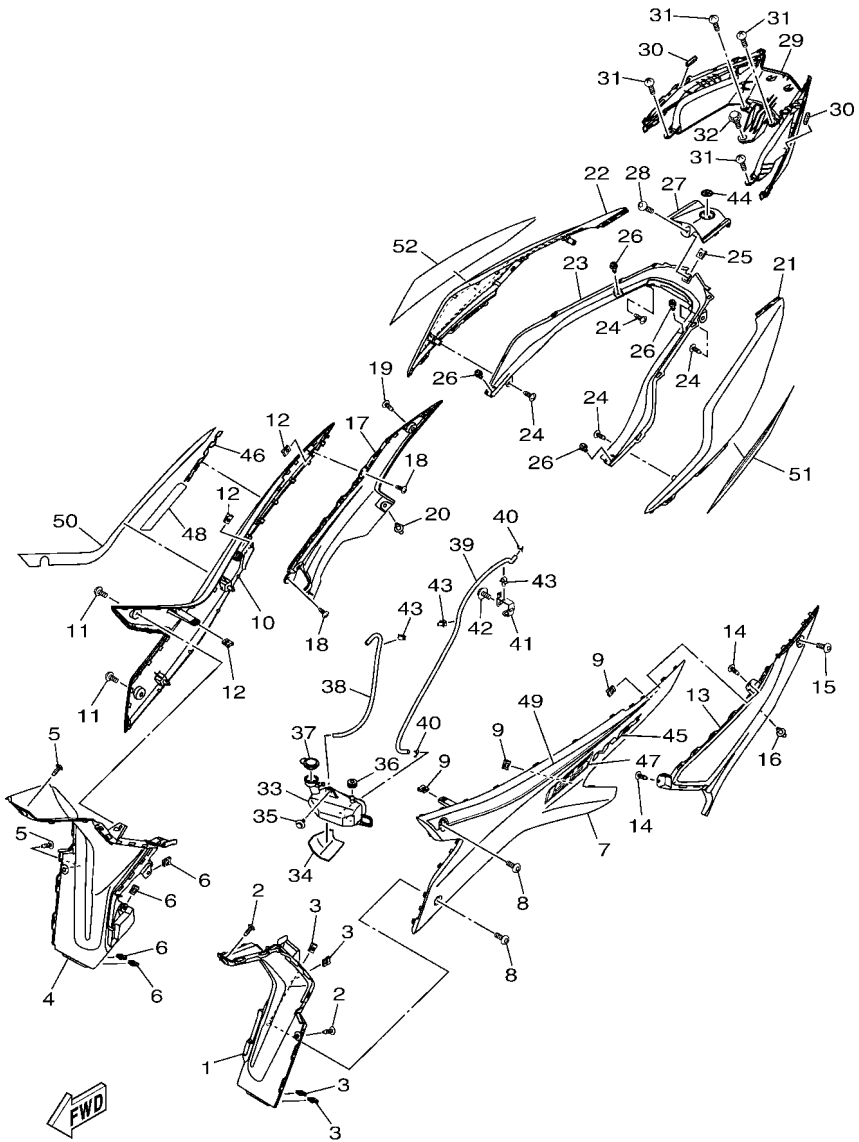
REF. NO.	PART NO.	DESCRIPTION	BDL8	BDL9	REMARKS
1	BBP-F1711-00	COVER, SIDE 1		1	
2	90160-05814	SCREW, ROUND TAPPING		2	
3	90183-05807	NUT, SPRING		4	
4	BBP-F1721-00	COVER, SIDE 2		1	
5	90160-05814	SCREW, ROUND TAPPING		2	
6	90183-05807	NUT, SPRING		4	
7	BBP-F1731-00-P5	COVER, SIDE 3		1	MDPBM5 FOR WMB
	BBP-F1731-00-P6	COVER, SIDE 3		1	DPRME FOR MDNM8
8	90160-05814	SCREW, ROUND TAPPING		2	
9	90183-05807	NUT, SPRING		3	
10	BBP-F1741-00-P5	COVER, SIDE 4		1	MDPBM5 FOR WMB
	BBP-F1741-00-P6	COVER, SIDE 4		1	DPRME FOR MDNM8
11	90160-05814	SCREW, ROUND TAPPING		2	
12	90183-05807	NUT, SPRING		3	
13	BBP-F171N-00	MOLE, SIDE COVER 3		1	
14	97702-50012	SCREW, TAPPING		2	
15	90160-05814	SCREW, ROUND TAPPING		1	
16	90269-06816	RIVET		1	
17	BBP-F171R-00	MOLE, SIDE COVER 4		1	
18	97702-50012	SCREW, TAPPING		2	
19	90160-05814	SCREW, ROUND TAPPING		1	
20	90269-06816	RIVET		1	
21	BBP-F171E-00-P5	COVER, SIDE 5		1	UR FOR WMB
	BBP-F171E-00-PA	COVER, SIDE 5		1	UR FOR MDNM8
22	BBP-F171X-00-P5	COVER, SIDE 6		1	UR FOR WMB
	BBP-F171X-00-PA	COVER, SIDE 6		1	UR FOR MDNM8
23	BBP-F171T-00	MOLE, SIDE COVER 5		1	

FIG. 17 SIDE COVER 2



BDL8440-Y170

REF. NO.	PART NO.	DESCRIPTION	BDL8	BDL9	REMARKS
24	97707-50016	SCREW, TRUSS HEAD TAPPING		4	
25	90183-05807	NUT, SPRING		1	
26	90269-06812	RIVET		4	
27	BBP-F471K-00-P5	COVER, TAIL 1		1	UR FOR WMB
	BBP-F471K-00-PC	COVER, TAIL 1		1	UR FOR MDNM8
28	90160-05814	SCREW, ROUND TAPPING		1	
29	BBP-F472K-00	COVER, TAIL 2		1	
30	90520-10850	DAMPER, PLATE		2	
31	97707-50016	SCREW, TRUSS HEAD TAPPING		4	
32	90109-068B5	BOLT		1	
33	B65-F1871-00	TANK, RECOVERY		1	
34	90520-02829	DAMPER, PLATE		1	
35	90109-068B5	BOLT		1	
36	90480-14808	GROMMET		1	
37	1S7-F1875-01	CAP		1	
38	B65-F1816-00	PIPE 1		1	
39	BBP-F1817-00	PIPE 2		1	
40	90467-08003	CLIP		2	
41	BBR-F2957-00	BRACKET, HOSE		1	
42	95D02-06012	BOLT, FLANGE DEEP RECESS		1	
43	90464-07805	CLAMP		3	
44	5P2-F1737-00	EMBLEM		1	
45	BBN-F173B-00	EMBLEM 3D		1	UR FOR MDNM8
	BBN-F173B-10	EMBLEM 3D		1	UR FOR WMB
46	BBN-F173B-00	EMBLEM 3D		1	UR FOR MDNM8
	BBN-F173B-10	EMBLEM 3D		1	UR FOR WMB
47	BDL-F1781-30	EMBLEM 1		1	UR FOR WMB



BDL8440-Y170

FIG. 17 SIDE COVER 2

REF. NO.	PART NO.	DESCRIPTION	BDL8	BDL9	REMARKS
47	BDL-F1781-40	EMBLEM 1		1	UR FOR MDNM8
48	BDL-F1781-30	EMBLEM 1		1	UR FOR WMB
	BDL-F1781-40	EMBLEM 1		1	UR FOR MDNM8
49	BDL-F173E-60	GRAPHIC 1		1	UR FOR WMB
	BDL-F173E-70	GRAPHIC 1		1	UR FOR MDNM8
50	BDL-F173F-60	GRAPHIC 2		1	UR FOR WMB
	BDL-F173F-70	GRAPHIC 2		1	UR FOR MDNM8
51	BDL-F174G-60	GRAPHIC 3		1	UR FOR WMB
	BDL-F174G-70	GRAPHIC 3		1	UR FOR MDNM8
52	BDL-F174H-60	GRAPHIC 4		1	UR FOR WMB
	BDL-F174H-70	GRAPHIC 4		1	UR FOR MDNM8

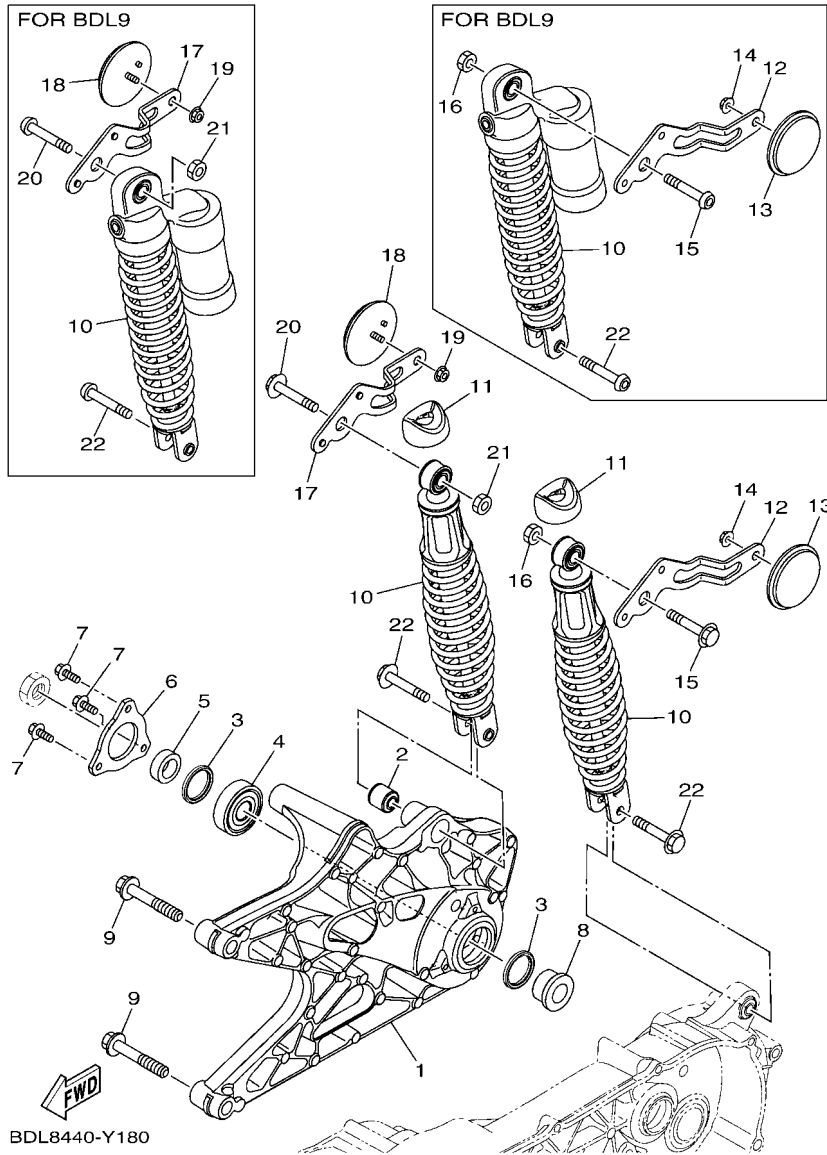
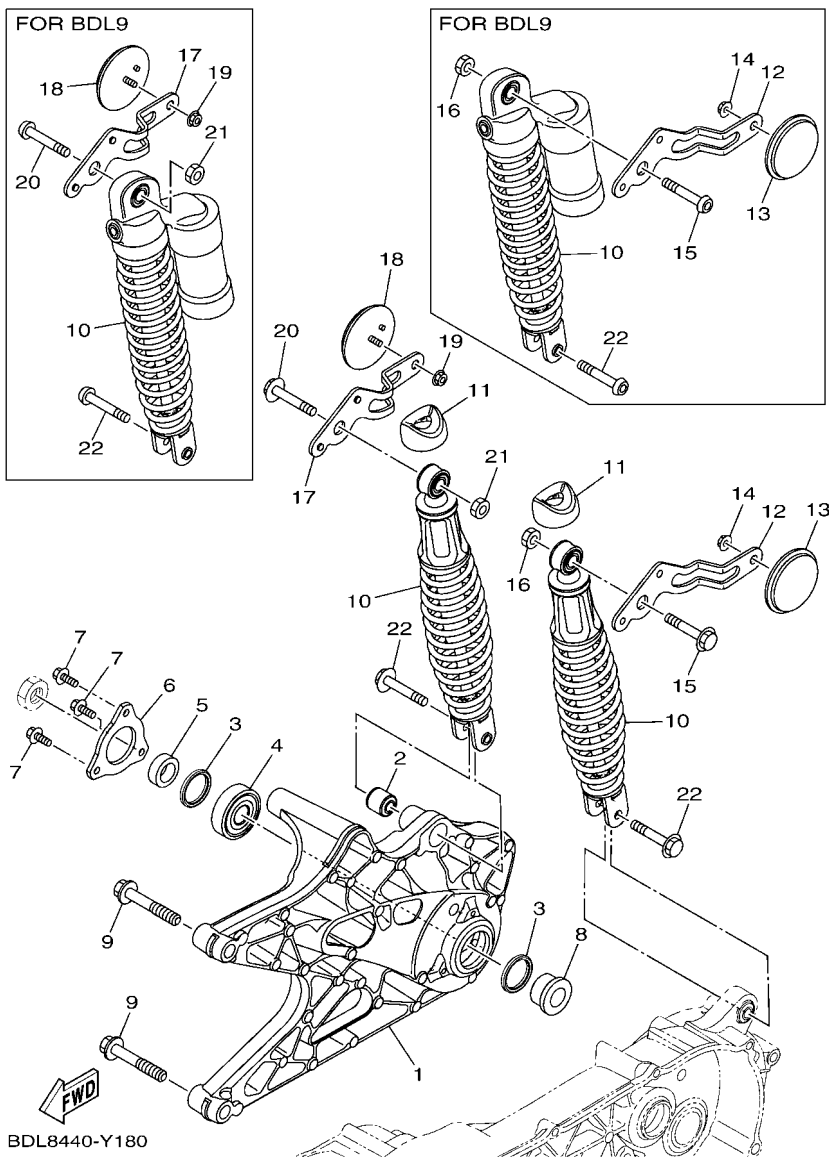


FIG. 18 REAR ARM & SUSPENSION

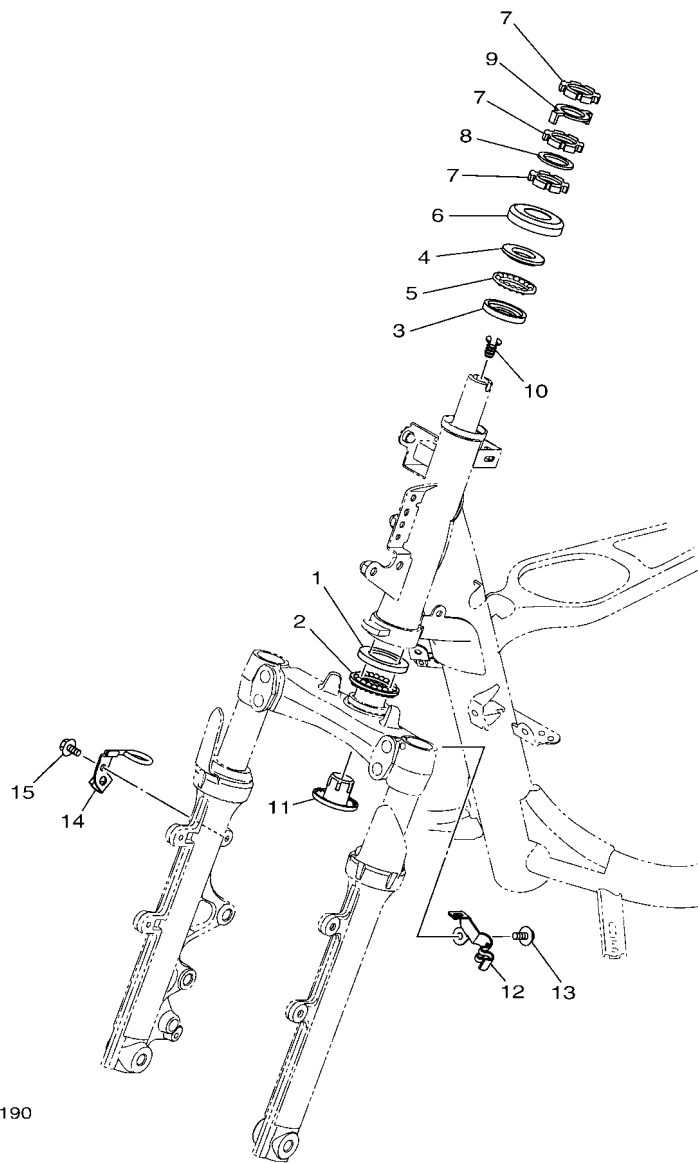
REF. NO.	PART NO.	DESCRIPTION	BDL8	BDL9	REMARKS
1	BBP-F2171-00	ARM, REAR 1	1	1	
2	5MX-F2216-00	BUSH, REAR SHOCK ABSORBER	1	1	UR EITHER CAN USE
	4D1-F2216-00	BUSH, REAR SHOCK ABSORBER	1	1	UR EITHER CAN USE
3	93106-28801	OIL SEAL	2	2	
4	93306-303YV	BEARING	1	1	
5	90387-17807	COLLAR	1	1	
6	2DP-F2117-10	CAP	1	1	
7	95D37-06016	BOLT, FLANGE DEEP RECESS	3	3	
8	90387-17808	COLLAR	1	1	
9	95D32-10060	BOLT, FLANGE DEEP RECESS	2	2	
10	B65-F2210-31	SHOCK ABSORBER ASSY, REAR	2		
	B63-F2210-31	SHOCK ABSORBER ASSY, REAR		2	UR FOR WMB
	B63-F2210-40	SHOCK ABSORBER ASSY, REAR		2	UR FOR MDNM8
11	B65-F2211-00	COVER	2		
12	BDL-F221A-00	BRACKET 1	1	1	
13	2FC-H5111-00	REFLECTOR, 1	1	1	
14	95702-05500	NUT, FLANGE	1	1	
15	90105-088H0	BOLT, FLANGE	1		
	90149-08804	SCREW		1	
16	95302-08600	NUT, HEXAGON	1	1	
17	BDL-F221B-00	BRACKET 2	1	1	
18	2FC-H5111-00	REFLECTOR, 1	1	1	
19	95702-05500	NUT, FLANGE	1	1	
20	90105-088H0	BOLT, FLANGE	1		
	90149-08804	SCREW		1	
21	95302-08600	NUT, HEXAGON	1	1	
22	90105-088H0	BOLT, FLANGE	2		

FIG. 18 REAR ARM & SUSPENSION



REF. NO.	PART NO.	DESCRIPTION	BDL8	BDL9				REMARKS
22	90149-08804	SCREW		2				

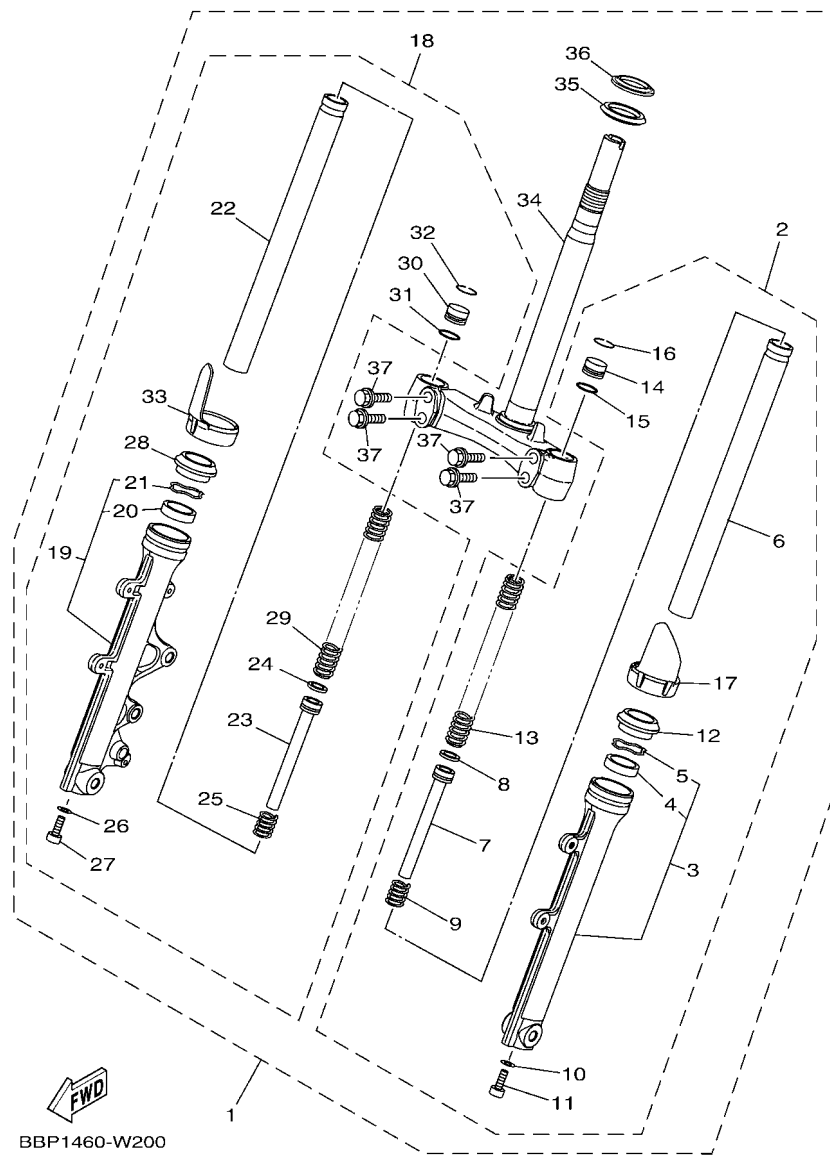
FIG. 19 STEERING



BBP1460-W190

REF. NO.	PART NO.	DESCRIPTION	BDL8	BDL9	REMARKS
1	1KL-F3412-10	RACE, BALL 2	1	1	
2	5VL-F341E-10	RETAINER, BALL BEARING	1	1	
3	4RT-F3412-10	RACE, BALL 2	1	1	
4	4RT-F3411-10	RACE, BALL 1	1	1	
5	1P6-F341E-10	RETAINER, BALL BEARING	1	1	
6	5TL-F3416-01	COVER, BALL RACE 2	1	1	
7	90179-25810	NUT	3	3	
8	90202-26142	WASHER, PLATE	1	1	
9	1PA-F3418-00	WASHER, SPECIAL	1	1	UR EITHER CAN USE
	1SK-F3418-00	WASHER, SPECIAL	1	1	UR EITHER CAN USE
10	B65-F312G-00	PLUG, HOLE	1	1	
11	B65-F3123-00	COVER, UNDER 1	1	1	
12	BBP-F5875-00	HOLDER, BRAKE HOSE 1	1	1	
13	95D02-06012	BOLT, FLANGE DEEP RECESS	1	1	
14	B65-F5876-00	HOLDER, BRAKE HOSE 2	1	1	
15	95D02-06012	BOLT, FLANGE DEEP RECESS	1	1	

FIG. 20 FRONT FORK



BBP1460-W200

REF. NO.	PART NO.	DESCRIPTION	BDL8	BDL9	REMARKS
1	BBP-F3100-00	FRONT FORK ASSY	1	1	
2	BBP-F3102-00	.DEMPER ASSY. (L)	1	1	
3	B65-F3126-00	..TUBE, OUTER (L.H)	1	1	
4	3AY-F3145-00	...OIL SEAL	1	1	
5	5P0-F3156-00	...RING, SNAP	1	1	
6	B65-F3110-00	..INNER TUBE COMP.1	1	1	
7	B65-F3170-10	..CYLINDER COMP., FRONT FORK	1	1	
8	2JG-F3157-00	..RING, PISTON	1	1	
9	5LM-F3152-00	..SPRING, SUB	1	1	
10	2BU-F3158-00	..GASKET	1	1	
11	31B-F3181-00	..BOLT, HEXAGON SOCKET HEAD	1	1	
12	5LM-F3144-00	..SEAL, DUST	1	1	
13	B63-F3141-00	..SPRING, FRONT FORK	1	1	
14	1FC-F3111-10	..BOLT, CAP	1	1	
15	2JG-F3147-00	..O-RING	1	1	
16	31B-F3153-00	..RING, SNAP	1	1	
17	B65-F315H-00	..PROTECTOR 1	1	1	
18	BBP-F3103-00	.DAMPER ASSY. (R)	1	1	
19	B65-F3136-00	..TUBE, OUTER 2	1	1	
20	3AY-F3145-00	...OIL SEAL	1	1	
21	5P0-F3156-00	...RING, SNAP	1	1	
22	B65-F3110-00	..INNER TUBE COMP.1	1	1	
23	B65-F3170-10	..CYLINDER COMP., FRONT FORK	1	1	
24	2JG-F3157-00	..RING, PISTON	1	1	
25	5LM-F3152-00	..SPRING, SUB	1	1	
26	2BU-F3158-00	..GASKET	1	1	
27	31B-F3181-00	..BOLT, HEXAGON SOCKET HEAD	1	1	

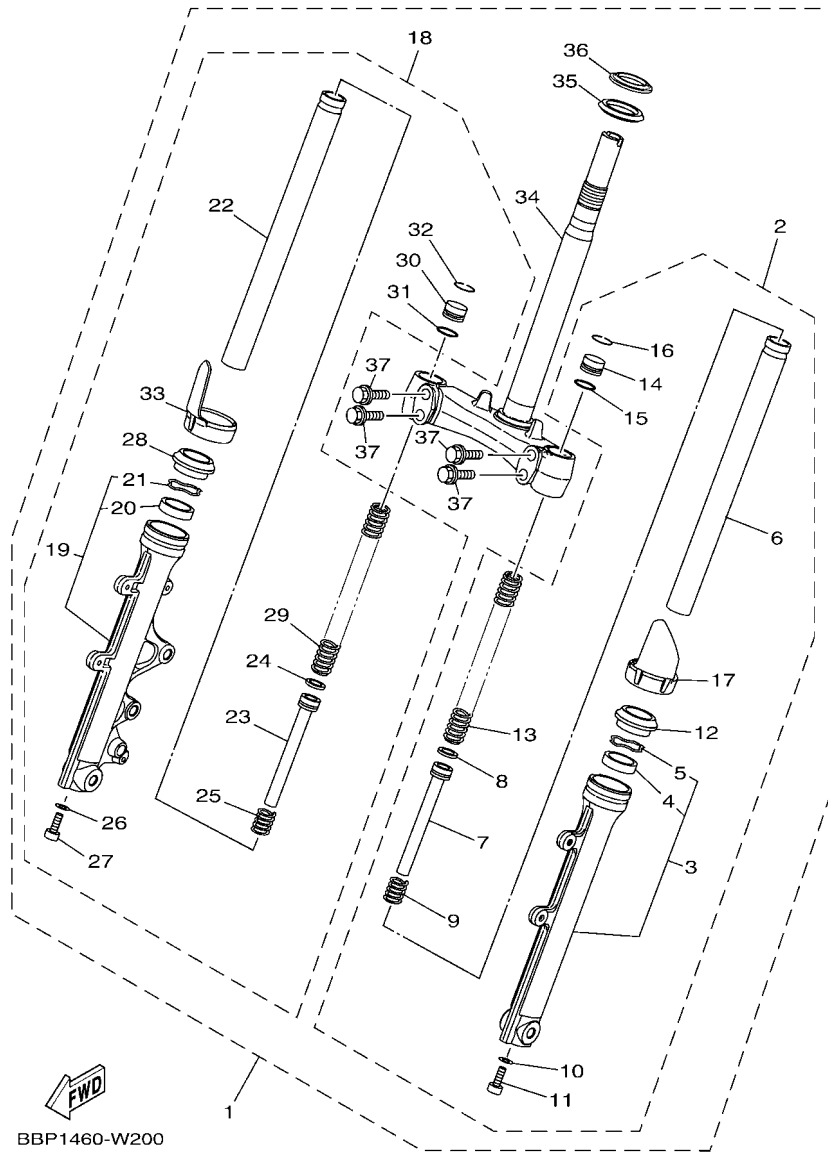
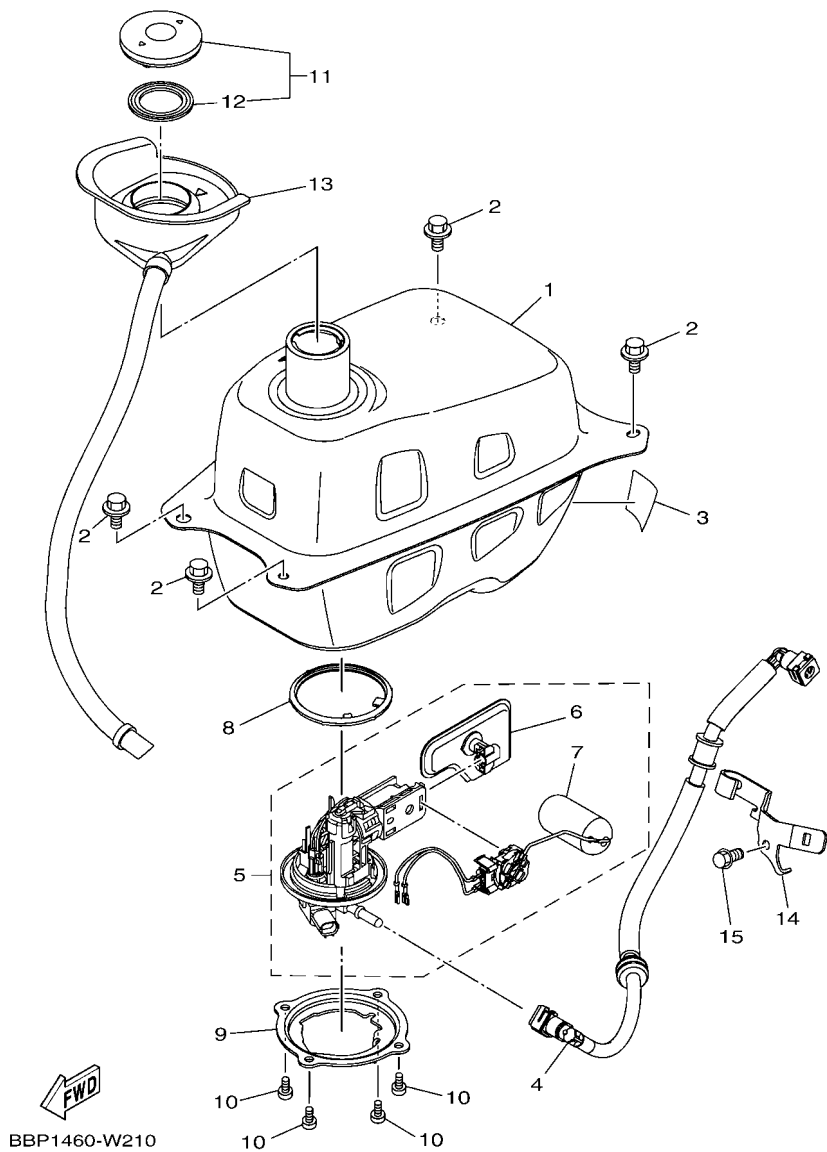


FIG. 20 FRONT FORK

REF. NO.	PART NO.	DESCRIPTION	BDL8	BDL9	REMARKS
28	5LM-F3144-00	..SEAL, DUST	1	1	
29	B63-F3141-00	..SPRING, FRONT FORK	1	1	
30	1FC-F3111-10	..BOLT, CAP	1	1	
31	2JG-F3147-00	..O-RING	1	1	
32	31B-F3153-00	..RING, SNAP	1	1	
33	B65-F315J-00	..PROTECTOR 2	1	1	
34	BBP-F3340-00	..UNDER BRACKET COMP.	1	1	
35	B63-F3462-00	..SEAL, DUST	1	1	
36	4FP-F3411-10	..RACE, BALL 1	1	1	
37	4D0-F3346-00	..BOLT 1	4	4	

FIG. 21 FUEL TANK



BBP1460-W210

REF. NO.	PART NO.	DESCRIPTION	QTY		REMARKS
			BDL8	BDL9	
1	BBP-F4110-00	FUEL TANK COMP.	1	1	
2	90119-068D7	BOLT, WITH WASHER	4	4	
3	5D9-F414G-10	SEAL	1	1	
4	B65-E3971-00	PIPE, FUEL 1	1	1	
5	BBP-E3907-00	FUEL PUMP COMP.	1		
	BBP-E3907-10	FUEL PUMP COMP.		1	
6	54P-E3915-00	.FILTER, FUEL SUCTION	1	1	
7	B65-H5752-00	.SENDER	1	1	
8	54P-F414G-10	SEAL	1	1	
9	2DP-F4491-00	BRACKET, FUEL PUMP	1	1	
10	91332-05010	BOLT	4	4	
11	4YY-F4610-00	CAP ASSY	1	1	
12	4YY-F4612-00	.PACKING, CAP	1	1	
13	B65-F414A-00	COVER, FILLER	1	1	
14	B6H-F419A-00	HOLDER	1	1	
15	95E37-06012	BOLT, FLANGE DEEP RECESS	1	1	

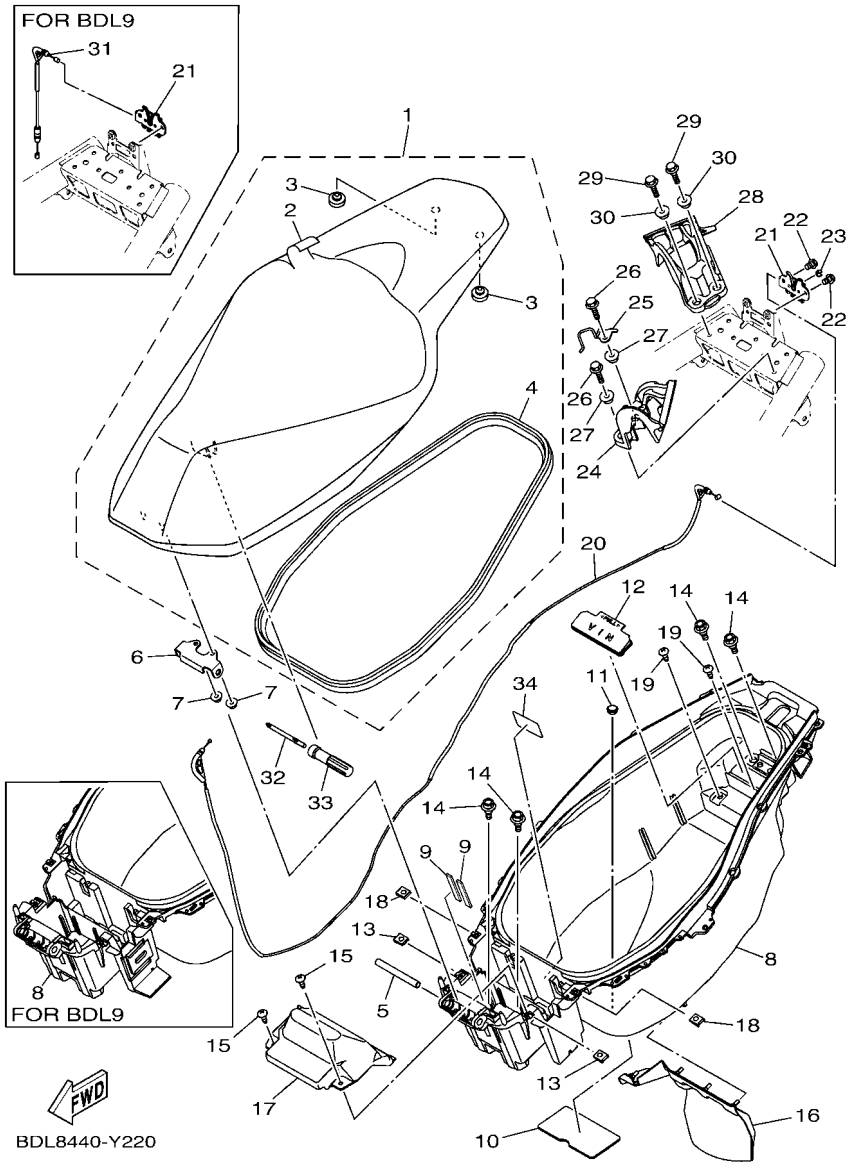
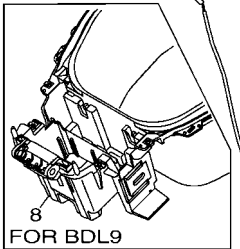
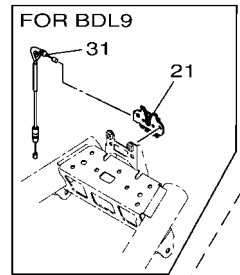


FIG. 22 SEAT

REF. NO.	PART NO.	DESCRIPTION	BDL8	BDL9	REMARKS
1	BDL-F4730-01	DOUBLE SEAT ASSY	1	1	
2	BDL-F470F-00	.SEAT COVER COMP.	1	1	
3	3C1-F4741-00	.PAD, SEAT	2	2	
4	BBP-F475M-00	.SEAL	1	1	
5	2WB-F4727-00	PIN, SEAT FITTING	1	1	
6	B65-F4726-00	HINGE, SEAT	1	1	
7	95702-06500	NUT, FLANGE	2	2	
8	BBP-F473R-00	BOX 1	1		
	BBP-F473R-10	BOX 1		1	
9	90520-04806	DAMPER, PLATE	2	2	
10	B63-F4737-00	DAMPER, SEAT	1	1	
11	4US-F6199-00	PLUG, BLIND	1	1	
12	B65-F384L-00	COVER, DUST	1	1	
13	90183-05807	NUT, SPRING	2	2	
14	90109-068B5	BOLT	4	4	
15	97707-50016	SCREW, TRUSS HEAD TAPPING	2	2	
16	B65-F1621-00	FLAP	1	1	
17	BBP-H2129-01	COVER, BATTERY	1	1	
18	90183-05807	NUT, SPRING	2	2	
19	97707-50016	SCREW, TRUSS HEAD TAPPING	2	2	
20	BBP-F478E-00	CABLE, SEAT LOCK	1	1	
21	40D-F4780-01	SEAT LOCK ASSY	1		
	B65-F4705-00	SEAT LOCK ASSY		1	
22	95E32-06010	BOLT, FLANGE DEEP RECESS	2	2	
23	1S8-F4768-00	STOPPER	1	1	
24	B65-F474A-00	ASSIST, GRIP	1	1	
25	B65-F472J-00	GUIDE	1	1	



BDL8440-Y220

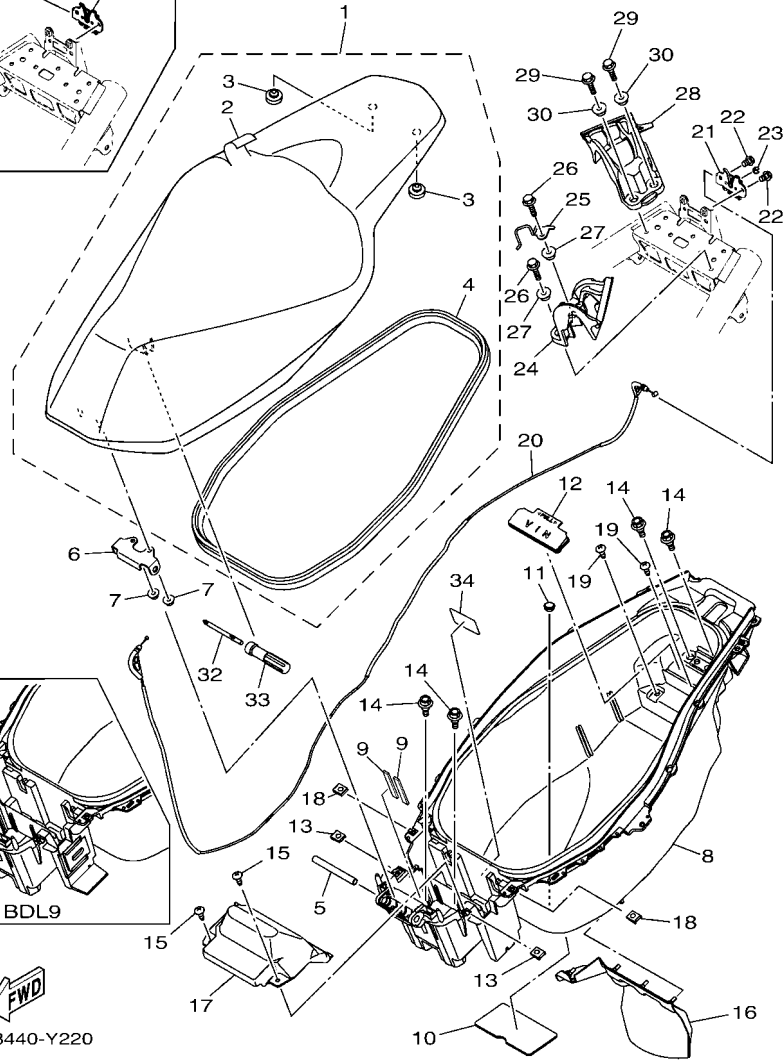
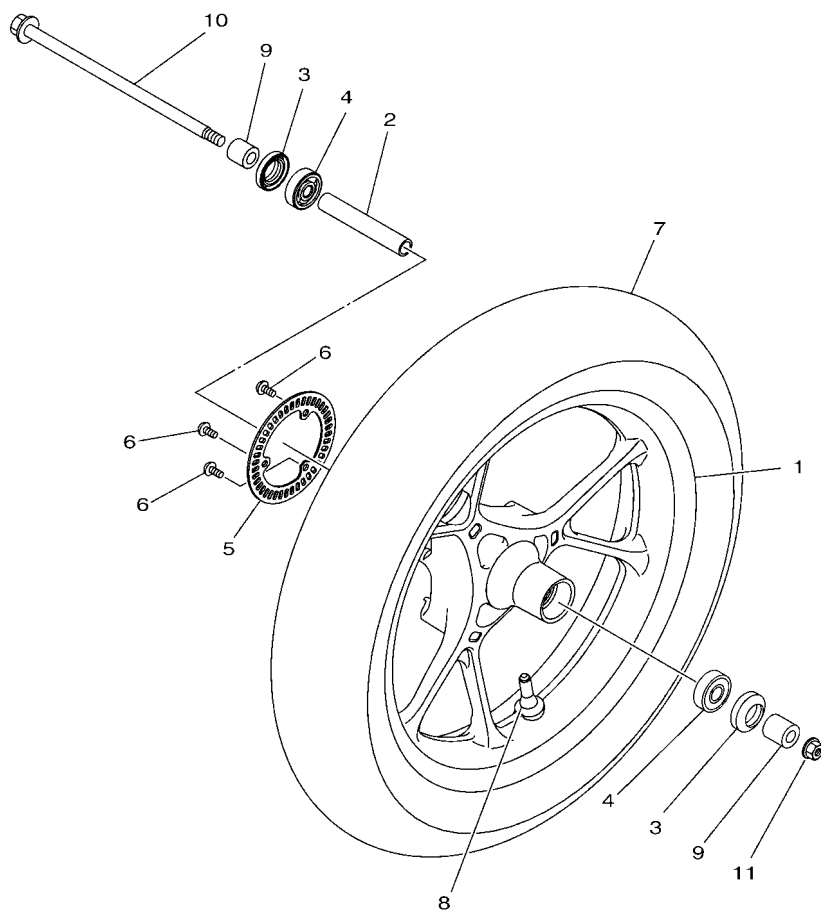


FIG. 22 SEAT

REF. NO.	PART NO.	DESCRIPTION	BDL8	BDL9	REMARKS
26	95D32-06025	BOLT, FLANGE DEEP RECESS	2	2	
27	90387-08840	COLLAR	2	2	
28	B65-F474W-00	ASSIST,GRIP 2	1	1	
29	95D32-06025	BOLT, FLANGE DEEP RECESS	2	2	
30	90387-08840	COLLAR	2	2	
31	B65-F479D-00	WIRE, SEAT LOCK 2		1	
32	B65-F8153-00	DRIVER PLUS	1	1	
33	3AY-F8151-00	GRIP, DRIVER	1	1	
34	B17-F1668-00	LABEL, TIRE	1	1	

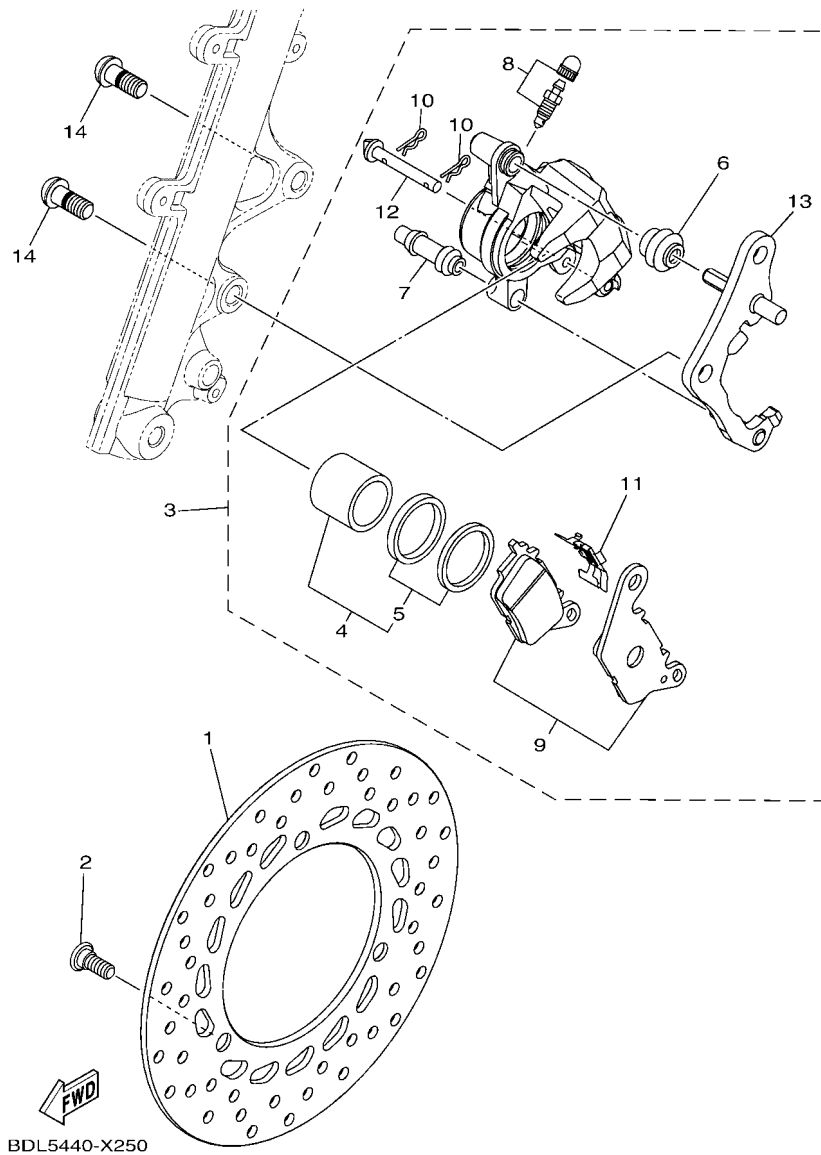
FIG. 23 FRONT WHEEL



REF. NO.	PART NO.	DESCRIPTION	BDL8	BDL9	REMARKS
1	B65-F5168-00-P5	CAST WHEEL, FRONT	1		VYRS6 FOR MNM3
	B65-F5168-00-33	CAST WHEEL, FRONT	1	1	YB FOR WMB,CM6
	B65-F5168-00-P7	CAST WHEEL, FRONT		1	MNYM3 FOR MDNM8
2	90387-10848	COLLAR	1	1	
3	93106-20816	OIL SEAL	2	2	
4	93306-300YF	BEARING	2	2	
5	2DP-F517G-00	ROTOR, SENSOR	1	1	
6	90149-05030	SCREW	3	3	
7	94111-14804	TIRE (110/80-14 M/C 53P)	1	1	INOUE
8	93900-00824	VALVE, RIM	1	1	
9	90387-10277	COLLAR	2	2	
10	B65-F5181-00	AXLE, WHEEL	1	1	
11	95602-10200	NUT, SELF-LOCKING	1	1	



B631422-S210



BDL5440-X250

FIG. 24 FRONT BRAKE CALIPER

REF. NO.	PART NO.	DESCRIPTION	BDL8	BDL9	REMARKS
1	2DP-F582U-00	DISK, BRAKE (RIGHT)	1	1	
2	90109-08232	BOLT	3	3	
3	B63-F580U-00	CALIPER ASSY (RIGHT)	1	1	
4	2BM-F5802-00	.PISTON ASSY, CALIPER	1	1	
5	5YP-F5803-50	.CALIPER SEAL KIT	1	1	
6	2BM-F5917-00	.BOOT, CALIPER	1	1	
7	5YP-F5937-00	.BOOT 2	1	1	
8	4C9-W0048-00	.BLEED SCREW KIT	1	1	
9	B63-F5805-00	.BRAKE PAD KIT	1	1	
10	5YP-F5925-01	.CLIP	2	2	
11	2BM-F5919-00	.SUPPORT, PAD	1	1	
12	5YP-F5924-00	.PIN, PAD	1	1	
13	2DP-F5920-00	.SUPT. BRKT. ASSY.	1	1	
14	90149-10805	SCREW	2	2	

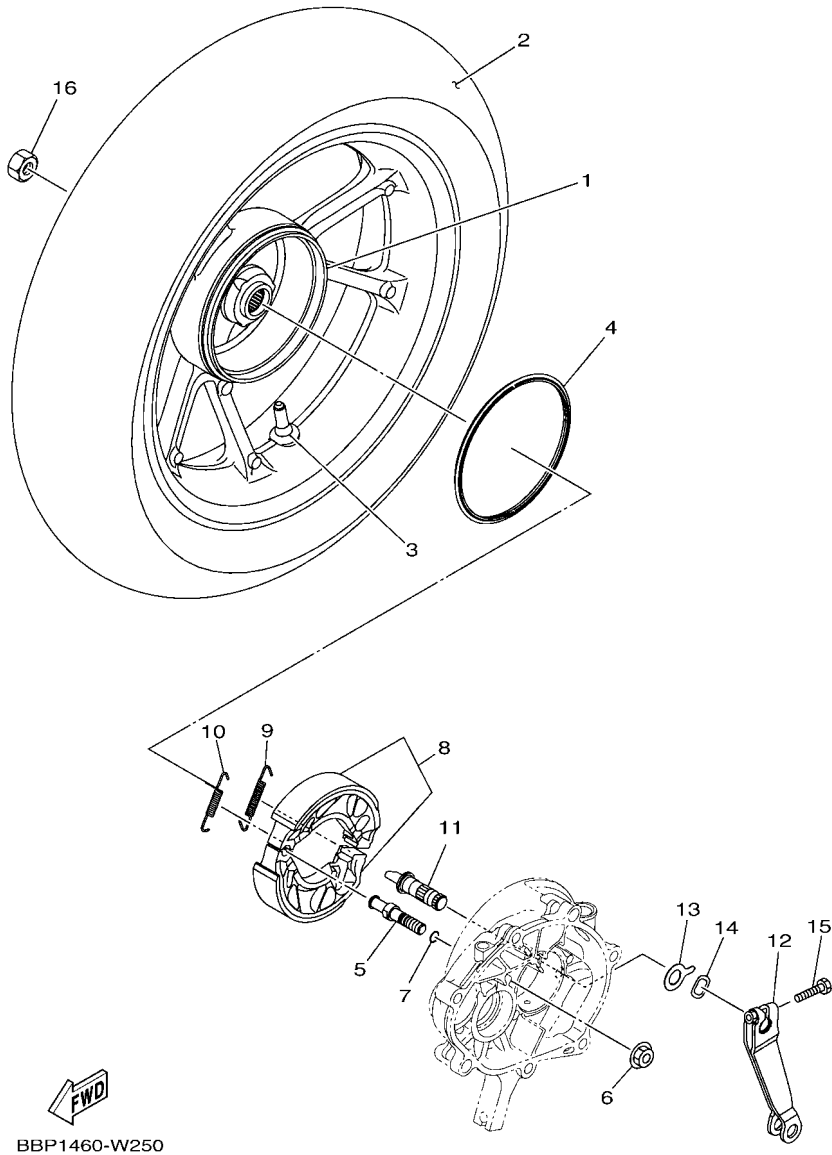
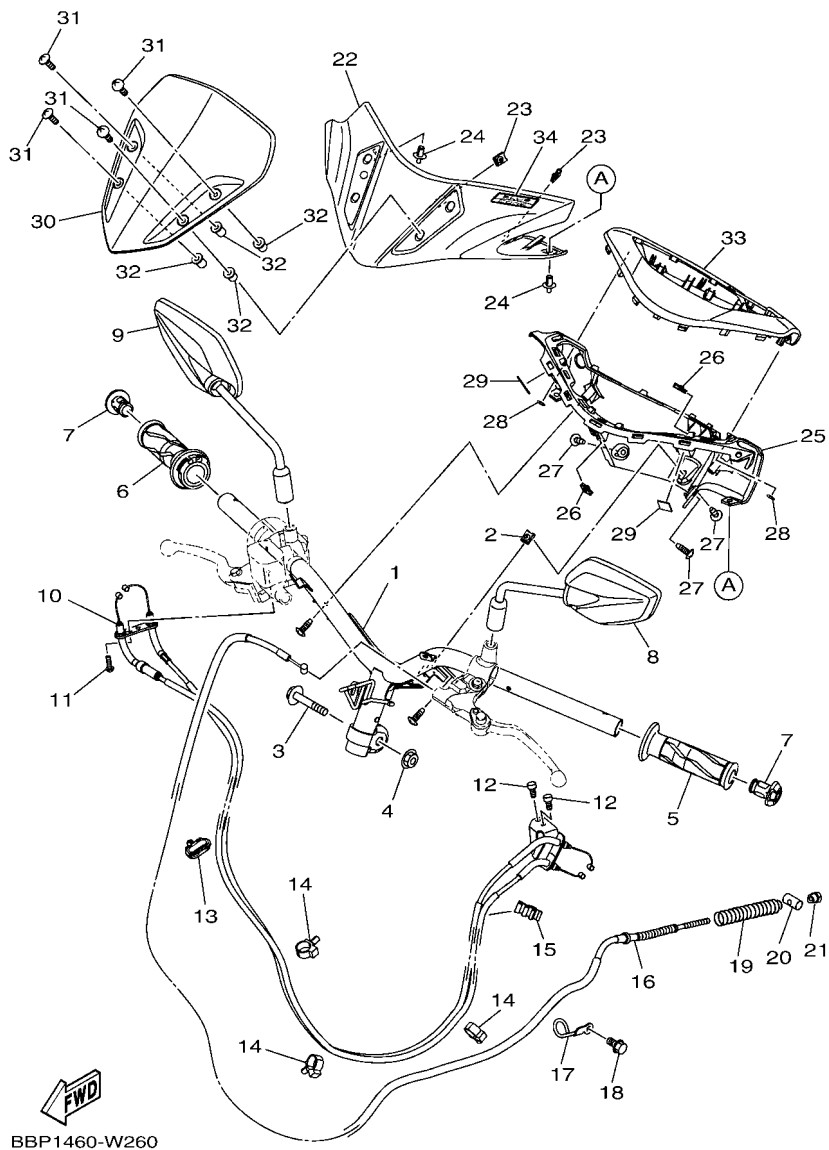


FIG. 25 REAR WHEEL

REF. NO.	PART NO.	DESCRIPTION	BDL8	BDL9	REMARKS
1	B65-F5338-00-P6	CAST WHEEL, REAR	1		VYRS6 FOR MNM3
	B65-F5338-00-33	CAST WHEEL, REAR	1	1	YB FOR WMB,CM6
	B65-F5338-00-P8	CAST WHEEL, REAR		1	MNYM3 FOR MDNM8
2	94114-14801	TIRE (140/70-14 M/C 62P)	1	1	INOUE
3	93900-00824	VALVE, RIM	1	1	
<hr/>					
4	B65-F5336-00	RING 2	1	1	
5	54P-F5326-00	PIN, PIVOT	1	1	
6	95702-10500	NUT, FLANGE	1	1	
7	93210-07802	O-RING	1	1	
8	5BP-F530K-20	BRAKE SHOE SET	1	1	
<hr/>					
9	90506-12001	SPRING, TENSION	1	1	
10	90506-15001	SPRING, TENSION	1	1	
11	B65-F5351-00	CAMSHAFT	1	1	
12	BBP-F5355-00	LEVER, CAMSHAFT	1	1	
13	5LW-F533A-00	PLATE, INDICATOR	1	1	
<hr/>					
14	90206-14093	WASHER, WAVE	1	1	
15	90101-06046	BOLT	1	1	
16	90185-16800	NUT, SELF-LOCKING	1	1	
<hr/>					
<hr/>					
<hr/>					



BBP1460-W260

FIG. 26 STEERING HANDLE & CABLE

REF. NO.	PART NO.	DESCRIPTION	BDL8	BDL9	REMARKS
1	BBP-F6110-00	HANDLE COMP.	1	1	
2	90183-05807	NUT, SPRING	1	1	
3	90105-108B0	BOLT, FLANGE	1	1	
4	90185-10011	NUT, SELF-LOCKING	1	1	
5	1VP-F6241-00	GRIP	1	1	
6	B92-F6240-00	GRIP ASSY	1	1	
7	B92-F6246-00	END, GRIP	2	2	
8	B70-F6280-00	REAR VIEW MIRROR ASSY (LEFT)	1	1	
9	B70-F6290-00	REAR VIEW MIRROR ASSY (RIGHT)	1	1	
10	BBP-F6301-01	THROTTLE CABLE ASSY	1	1	
11	92012-05016	BOLT, BUTTON HEAD	1	1	
12	91312-05010	BOLT, HEXAGON SOCKET HEAD	2	2	
13	90464-10802	CLAMP	1	1	
14	90464-16006	CLAMP	3	3	
15	90464-07807	CLAMP	1	1	
16	BBP-F6351-00	CABLE, BRAKE	1	1	
17	BBP-F637G-00	HOLDER, WIRE	1	1	
18	95E32-06012	BOLT, FLANGE DEEP RECESS	1	1	
19	90501-16804	SPRING, COMPRESSION	1	1	
20	90249-12008	PIN	1	1	
21	90179-06835	NUT	1	1	
22	BBP-F6143-00	COVER, HANDLE UPPER 1	1	1	
23	90183-05807	NUT, SPRING	2	2	
24	90269-06816	RIVET	2	2	
25	BBP-F6145-00	COVER, HANDLE UPPER 2	1	1	
26	90183-05807	NUT, SPRING	2	2	
27	97707-50016	SCREW, TRUSS HEAD TAPPING	3	3	

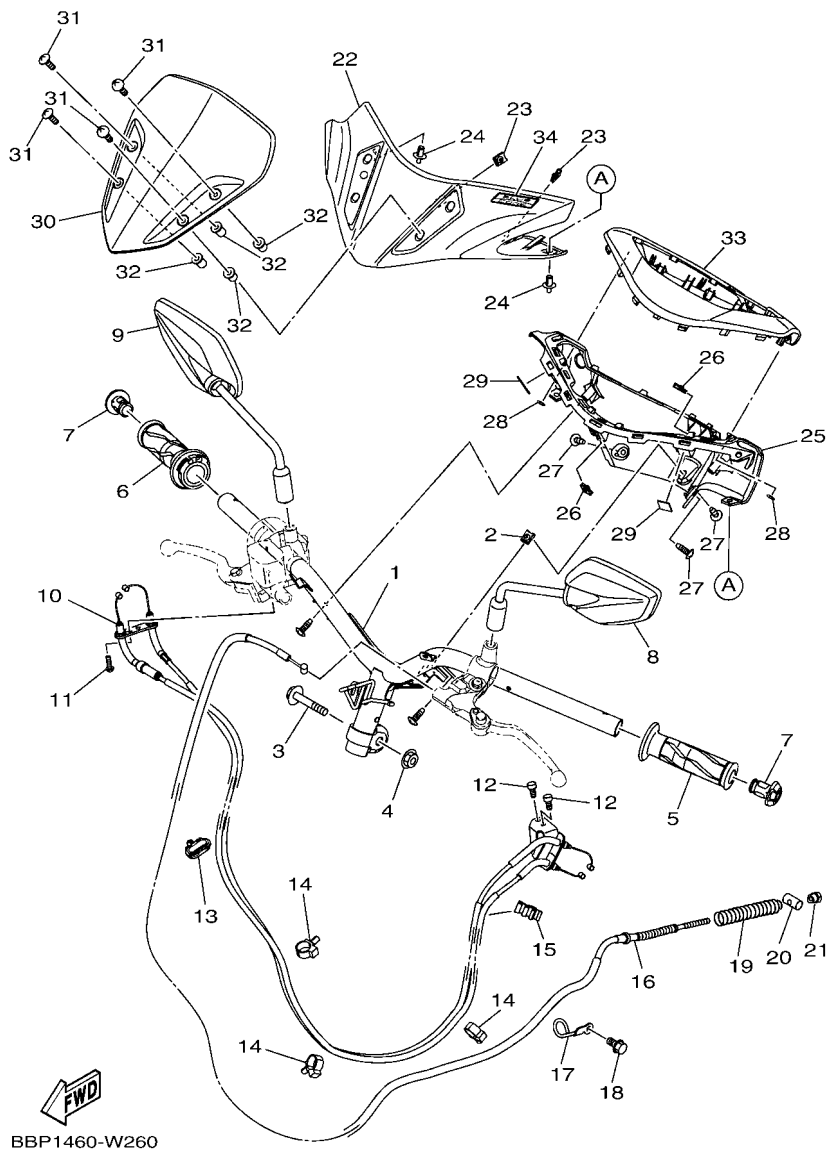
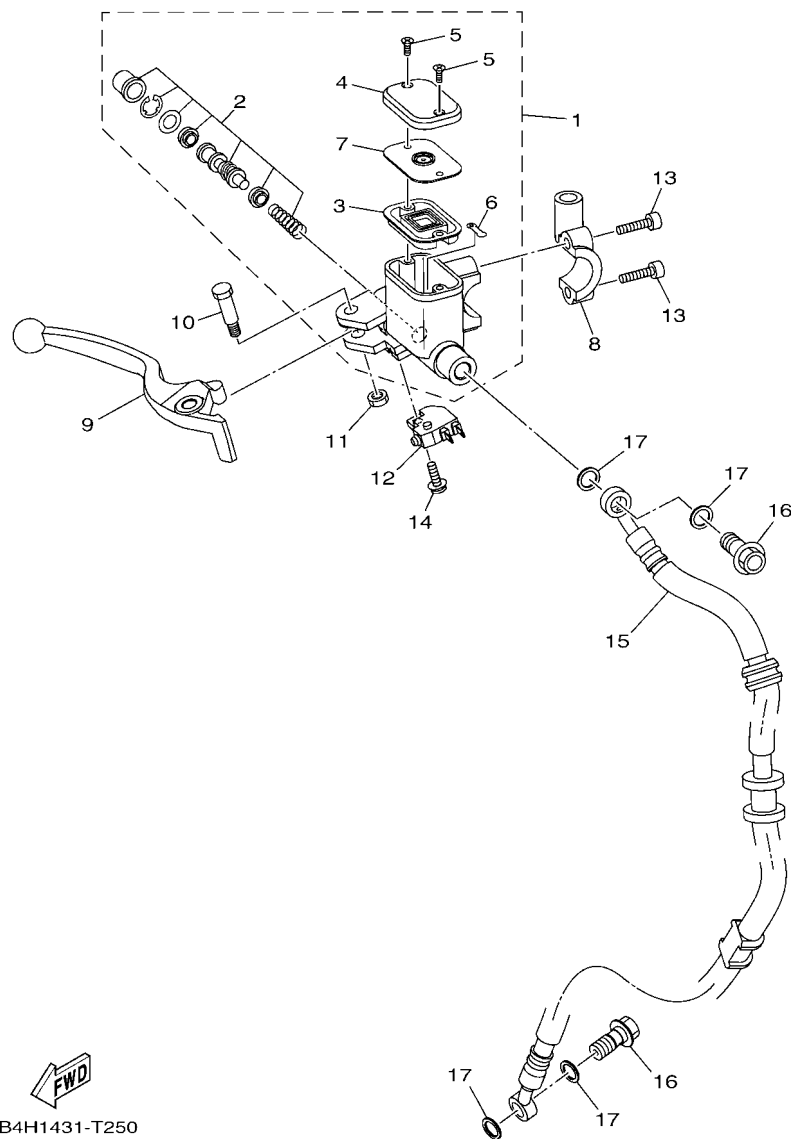


FIG. 26 STEERING HANDLE & CABLE

REF. NO.	PART NO.	DESCRIPTION	BDL8	BDL9	REMARKS
28	90183-05801	NUT, SPRING	2	2	
29	90520-01801	DAMPER, PLATE	2	2	
30	B65-F61AA-00	VISOR	1	1	
31	90150-05806	SCREW, ROUND HEAD	4	4	
32	90179-05802	NUT	4	4	
33	BBP-H3559-00-PB	COVER, METER	1		FOR MNM3
	BBP-H3559-00-P8	COVER, METER	1		FOR CM6
	BBP-H3559-00-PC	COVER, METER		1	MDPBM5 FOR WMB
	BBP-H3559-00-PD	COVER, METER		1	DPRME FOR MDNM8
34	B92-F1737-00	EMBLEM	1	1	

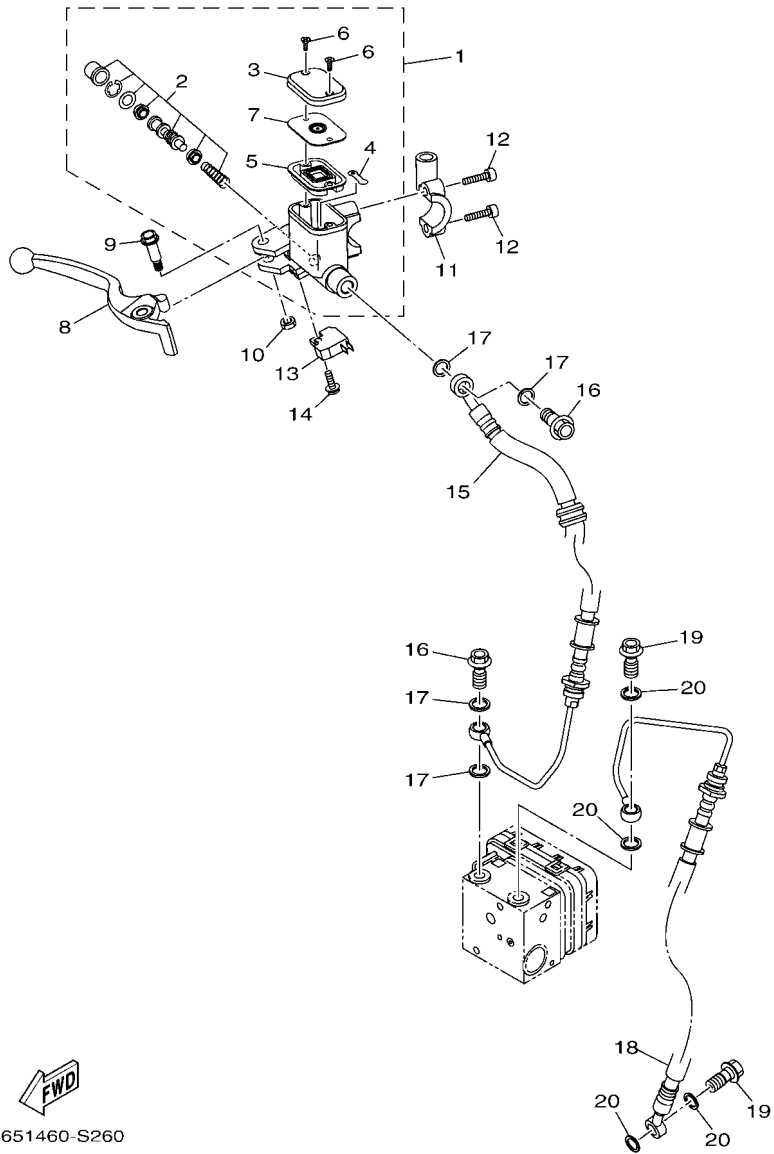
FIG. 27 FRONT MASTER CYLINDER




B4H1431-T250

REF. NO.	PART NO.	DESCRIPTION	BDL#	BDL#		REMARKS
1	2ND-F5870-00	MASTER CYLINDER SUB ASSY	1			
2	5P0-F580A-00	.CYLINDER KIT, MASTER	1			
3	2ND-F5854-00	.DIAPHRAGM, RESERVOIR	1			
4	2ND-F5852-00	.CAP, RESERVOIR	1			
5	36Y-2589H-00	.SCREW	2			
6	3RW-25889-00	.SEPARATOR	1			
7	2ND-F5855-00	.BUSH,DIAPHRAGM	1			
8	5TL-F5867-11	BRACKET,MASTER CYLINDER(BLACK)	1			
9	2PV-H3922-00	LEVER 2	1			
10	90109-06577	BOLT	1			
11	95602-06100	NUT, SELF-LOCKING	1			
12	2DP-H3980-01	FRONT STOP SWITCH ASSY	1			
13	91317-06025	BOLT, HEXAGON SOCKET HEAD	2			
14	97602-04312	SCREW, PAN HEAD WITH WASHER	1			
15	B65-F5872-00	HOSE, BRAKE 1	1			UR EITHER CAN USE
	B65-F5872-10	HOSE, BRAKE 1	1			UR EITHER CAN USE
16	90401-10812	BOLT, UNION	2			
17	90201-10118	WASHER, PLATE	4			

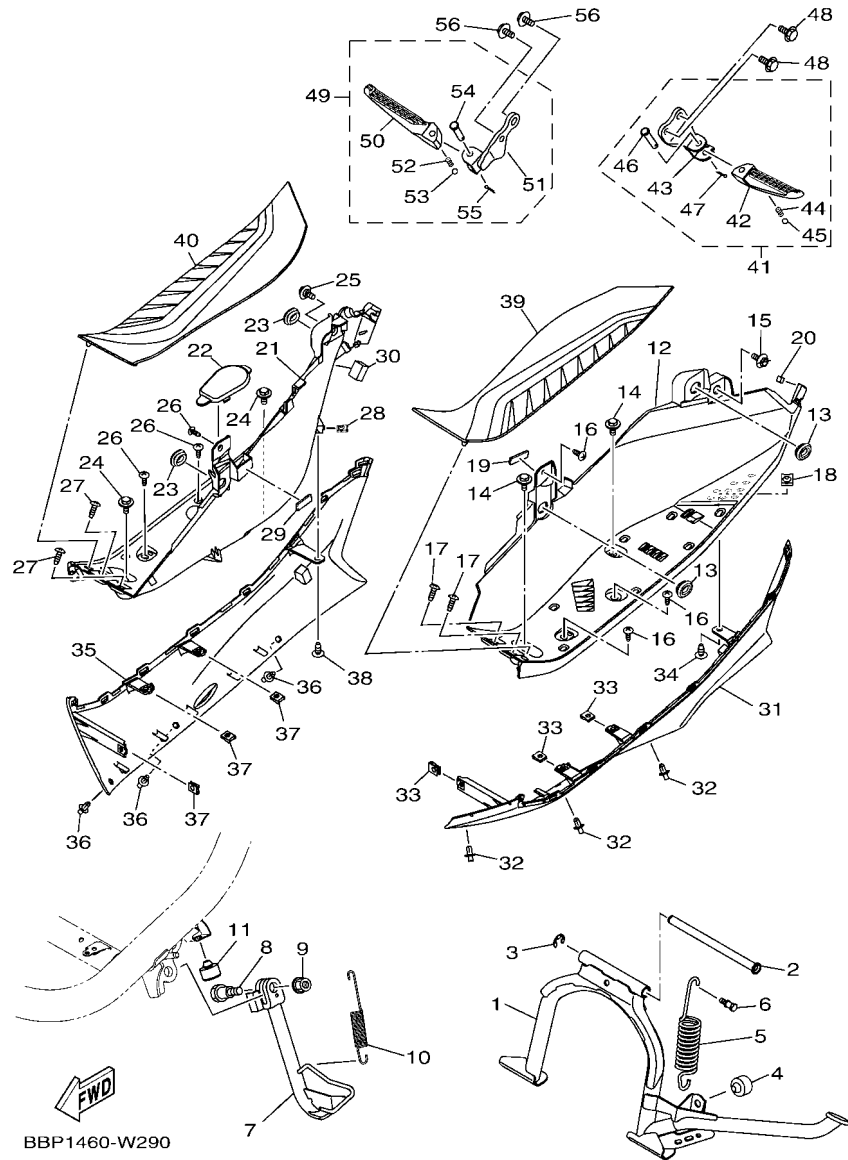
FIG. 28 FRONT MASTER CYLINDER 2




B651460-S260

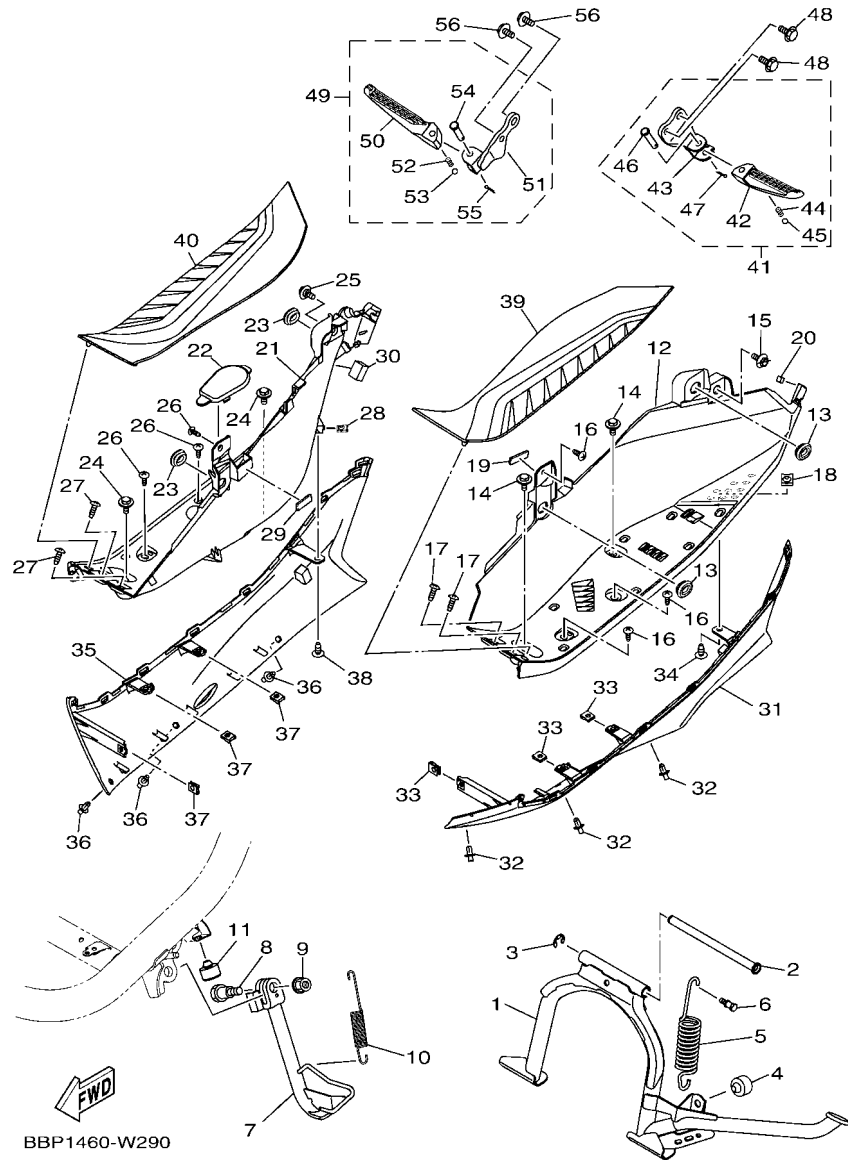
REF. NO.	PART NO.	DESCRIPTION	BDL 8	BDL 9	REMARKS
1	B63-F5870-00	MASTER CYLINDER SUB ASSY		1	
2	1WD-F5807-00	.CYLINDER KIT, MASTER		1	
3	B63-F5852-00	.CAP, RESERVOIR		1	
4	3RW-F5889-00	.SEPARATOR		1	
5	2ND-F5854-00	.DIAPHRAGM, RESERVOIR		1	
6	36Y-2589H-00	.SCREW		2	
7	2ND-F5855-00	.BUSH,DIAPHRAGM		1	
8	2PV-H3922-00	LEVER 2		1	
9	90109-06577	BOLT		1	
10	95602-06100	NUT, SELF-LOCKING		1	
11	5TL-F5867-11	BRACKET,MASTER CYLINDER(BLACK)		1	
12	91317-06025	BOLT, HEXAGON SOCKET HEAD		2	
13	2DP-H3980-01	FRONT STOP SWITCH ASSY		1	
14	97602-04312	SCREW, PAN HEAD WITH WASHER		1	
15	B65-F5873-00	HOSE, BRAKE 2		1	UR EITHER CAN USE
	B65-F5873-10	HOSE, BRAKE 2		1	UR EITHER CAN USE
16	90401-10812	BOLT, UNION		2	
17	90201-10118	WASHER, PLATE		4	
18	B65-F5874-00	HOSE, BRAKE 3		1	UR EITHER CAN US
	B65-F5874-10	HOSE, BRAKE 3		1	UR EITHER CAN US
19	90401-10812	BOLT, UNION		2	
20	90201-10118	WASHER, PLATE		4	

FIG. 29 STAND & FOOTREST



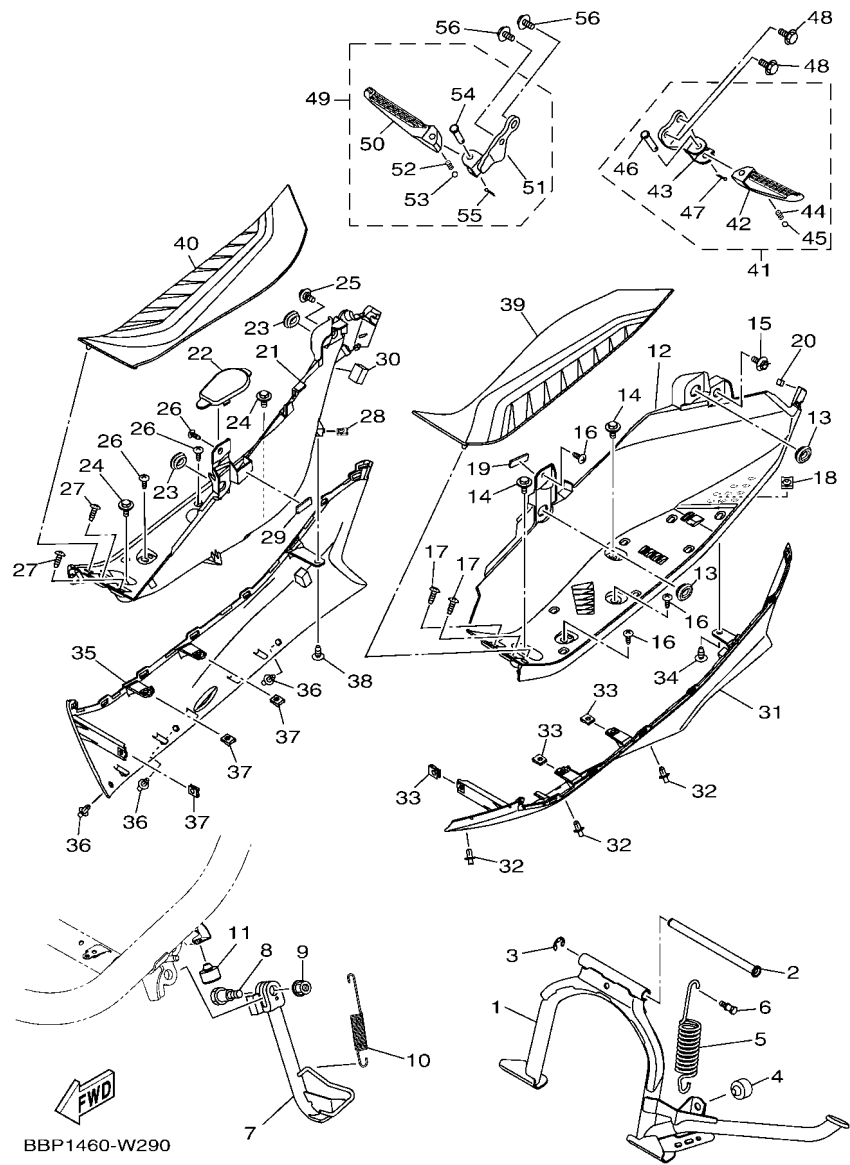
REF. NO.	PART NO.	DESCRIPTION	BDL8	BDL9	REMARKS
1	BBP-F7111-00	STAND, MAIN	1	1	
2	B6H-F7112-00	SHAFT, MAIN STAND	1	1	
3	99002-09600	CIRCLIP	1	1	
4	54P-F7114-00	STOPPER, MAIN STAND	1	1	
5	90506-40804	SPRING, TENSION	1	1	
6	90109-068B9	BOLT	1	1	
7	BBP-F7311-00	STAND, SIDE	1	1	
8	B65-F7217-00	BOLT	1	1	UR EITHER CAN USE
	B63-F7217-00	BOLT	1	1	UR EITHER CAN USE
9	95602-10200	NUT, SELF-LOCKING	1	1	
10	90506-20818	SPRING, TENSION	1	1	
11	4YY-F7114-00	STOPPER, MAIN STAND	1	1	
12	BBP-F7481-00	BOARD, FOOTREST	1	1	
13	90480-01559	GROMMET	2	2	
14	90119-06044	BOLT, WITH WASHER	2	2	
15	90109-068B5	BOLT	1	1	
16	97707-50016	SCREW, TRUSS HEAD TAPPING	3	3	
17	97702-50012	SCREW, TAPPING	2	2	
18	90183-05807	NUT, SPRING	1	1	
19	90520-03802	DAMPER, PLATE	1	1	
20	90520-04809	DAMPER, PLATE	1	1	
21	BBP-F7488-00	BOARD, FOOTREST 2	1	1	
22	2DP-F172W-00	COVER	1	1	
23	90480-01559	GROMMET	2	2	
24	90119-06044	BOLT, WITH WASHER	2	2	
25	90109-068B5	BOLT	1	1	
26	97707-50016	SCREW, TRUSS HEAD TAPPING	3	3	

FIG. 29 STAND & FOOTREST



REF. NO.	PART NO.	DESCRIPTION	BDL8	BDL9	REMARKS
27	97702-50012	SCREW, TAPPING	2	2	
28	90183-05807	NUT, SPRING	1	1	
29	90520-03802	DAMPER, PLATE	1	1	
30	90520-10850	DAMPER, PLATE	1	1	
31	BBP-F171L-00	MOLE, SIDE COVER 1	1	1	
32	90269-06816	RIVET	3	3	
33	90183-05807	NUT, SPRING	3	3	
34	97702-50012	SCREW, TAPPING	1	1	
35	BBP-F171M-00	MOLE, SIDE COVER 2	1	1	
36	90269-06816	RIVET	3	3	
37	90183-05807	NUT, SPRING	3	3	
38	97702-50012	SCREW, TAPPING	1	1	
39	BBP-F7483-00	MAT 1	1	1	
40	BBP-F7484-00	MAT 2	1	1	
41	BBP-F7430-00	REAR FOOTREST ASSY 1	1	1	
42	B65-F7431-01	.FOOTREST, REAR 1	1	1	
43	BBP-F7452-00	.BRACKET, FOOTREST 1	1	1	
44	90501-12743	.SPRING, COMPRESSION	1	1	
45	93501-04830	.BALL	1	1	
46	91701-08035	.PIN	1	1	
47	91401-25015	.PIN, COTTER	1	1	
48	95D32-08020	BOLT, FLANGE DEEP RECESS	2	2	
49	BBP-F7440-00	REAR FOOTREST ASSY 2	1	1	
50	B65-F7441-01	.FOOTREST, REAR 2	1	1	
51	BBP-F7462-00	.BRACKET, FOOTREST 2	1	1	
52	90501-12743	.SPRING, COMPRESSION	1	1	
53	93501-04830	.BALL	1	1	

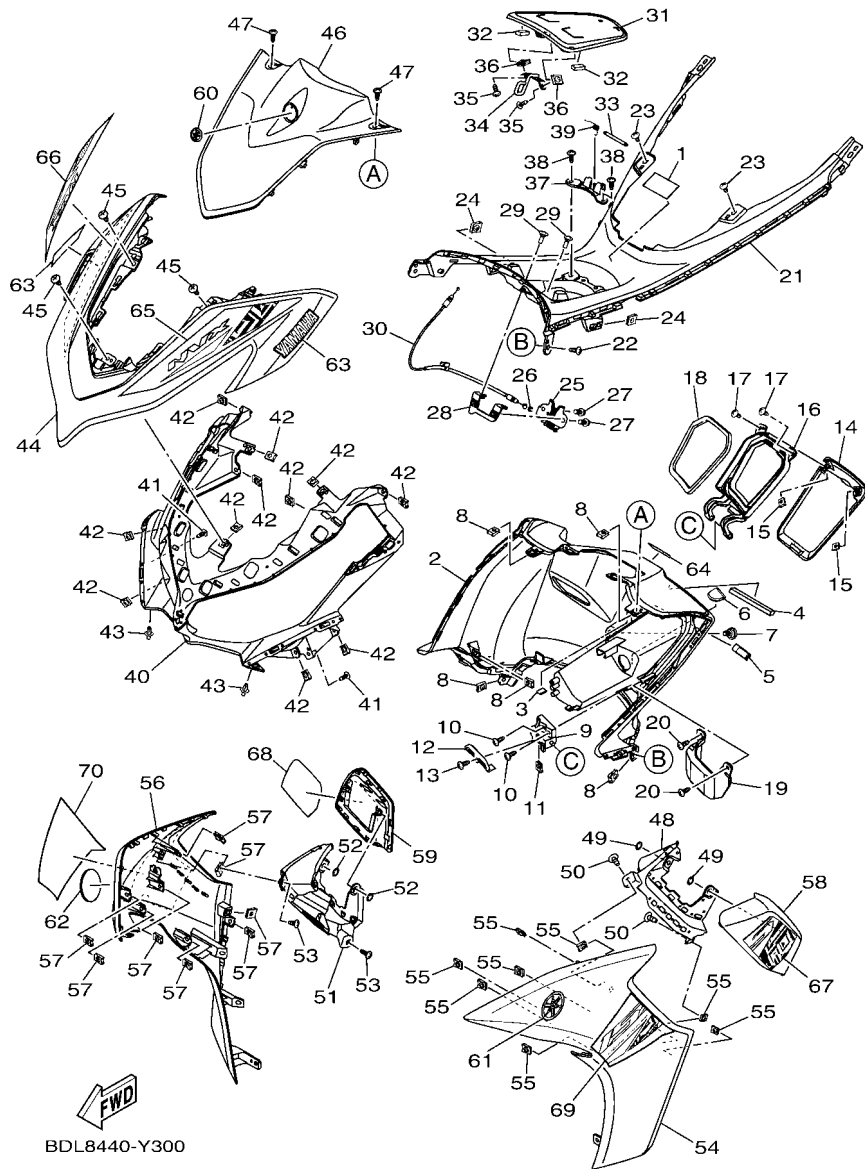
FIG. 29 STAND & FOOTREST



BBP1460-W290

REF. NO.	PART NO.	DESCRIPTION	BDL 8	BDL 9	REMARKS
54	91701-08035	.PIN	1	1	
55	91401-25015	.PIN, COTTER	1	1	
56	95D32-08020	BOLT, FLANGE DEEP RECESS	2	2	

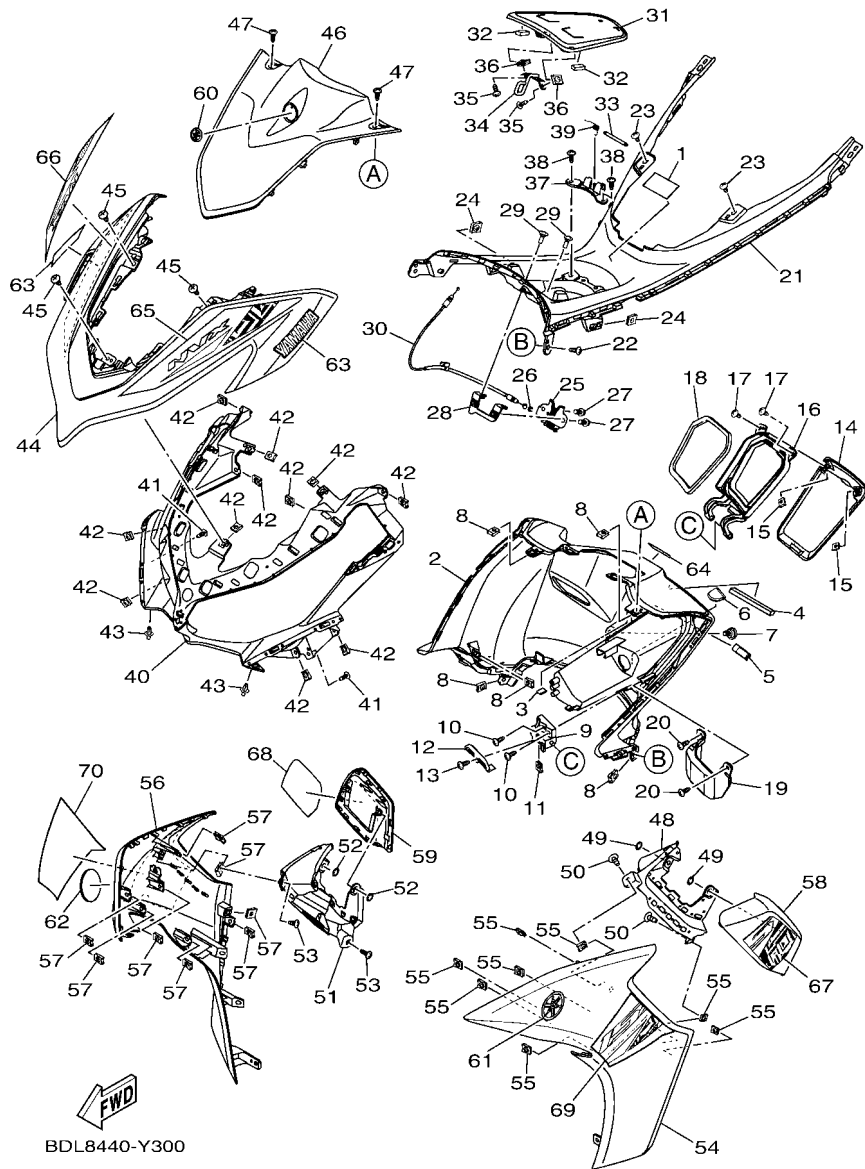
FIG. 30 LEG SHIELD



BDL8440-Y300

REF. NO.	PART NO.	DESCRIPTION	BDL8	BDL9	REMARKS
1	BG3-F1568-00	LABEL, WARNING	1		
2	BBP-F8312-00	LEG SHIELD 2	1		
3	90520-01806	DAMPER, PLATE	1		
4	90520-06822	DAMPER, PLATE	1		
5	BBP-F4618-00	PLATE, LOCK 3	1		
6	BBP-F8349-00	CAP	1		
7	90109-068B3	BOLT	1		
8	90183-05807	NUT, SPRING	5		
9	BBP-F8321-01	STAY 1	1		
10	90160-05012	SCREW, ROUND TAPPING	2		
11	90183-05807	NUT, SPRING	1		
12	BBN-F1796-00	HINGE	1		
13	97707-50016	SCREW, TRUSS HEAD TAPPING	1		
14	BBP-F177E-00	LID	1		
15	90183-05807	NUT, SPRING	2		
16	BBP-F8322-00	STAY 2	1		
17	97702-50012	SCREW, TAPPING	2		
18	90520-06821	DAMPER, PLATE	1		
19	BBP-F8365-01	COVER	1		
20	97707-50016	SCREW, TRUSS HEAD TAPPING	2		
21	BBP-F842M-01	COVER 1	1		
22	97702-50012	SCREW, TAPPING	1		
23	97707-50016	SCREW, TRUSS HEAD TAPPING	2		
24	90183-05807	NUT, SPRING	2		
25	40D-F4780-01	SEAT LOCK ASSY	1		
26	1S8-F4768-00	STOPPER	1		
27	95E32-06012	BOLT, FLANGE DEEP RECESS	2		

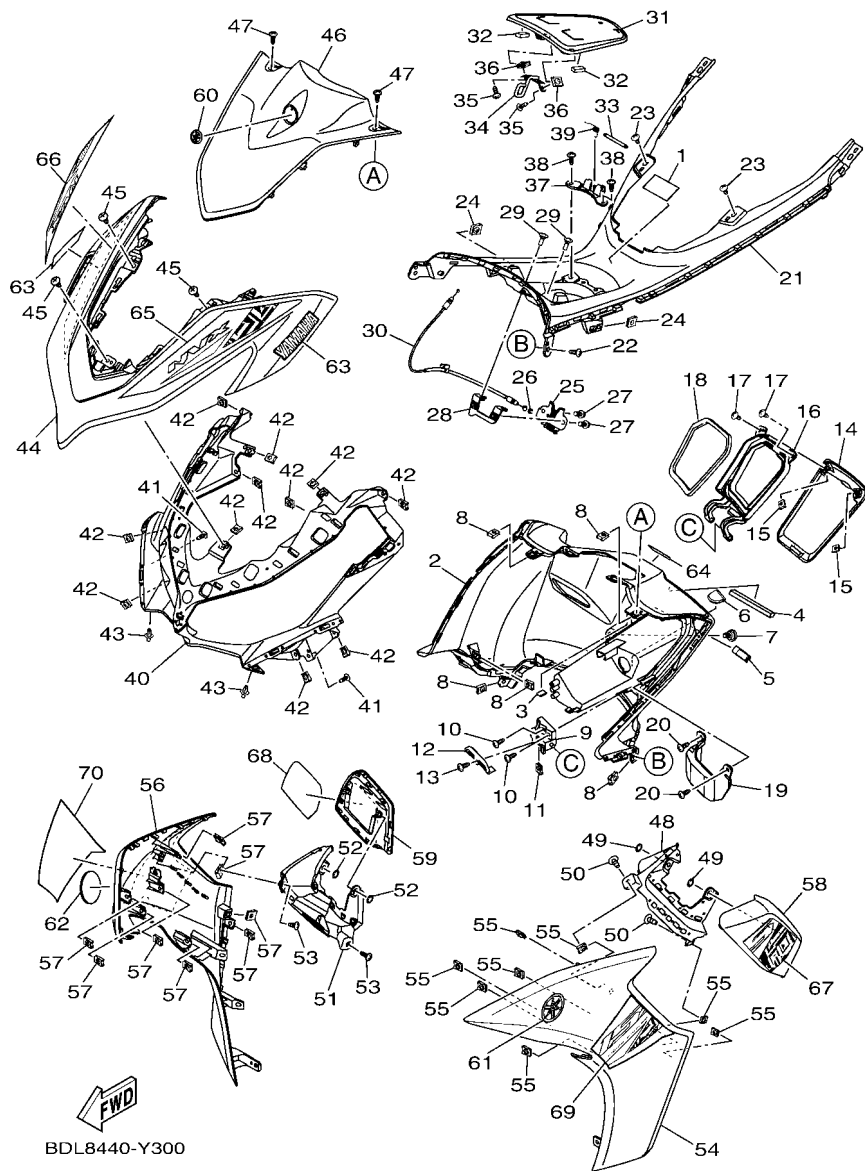
FIG. 30 LEG SHIELD



BDL8440-Y300

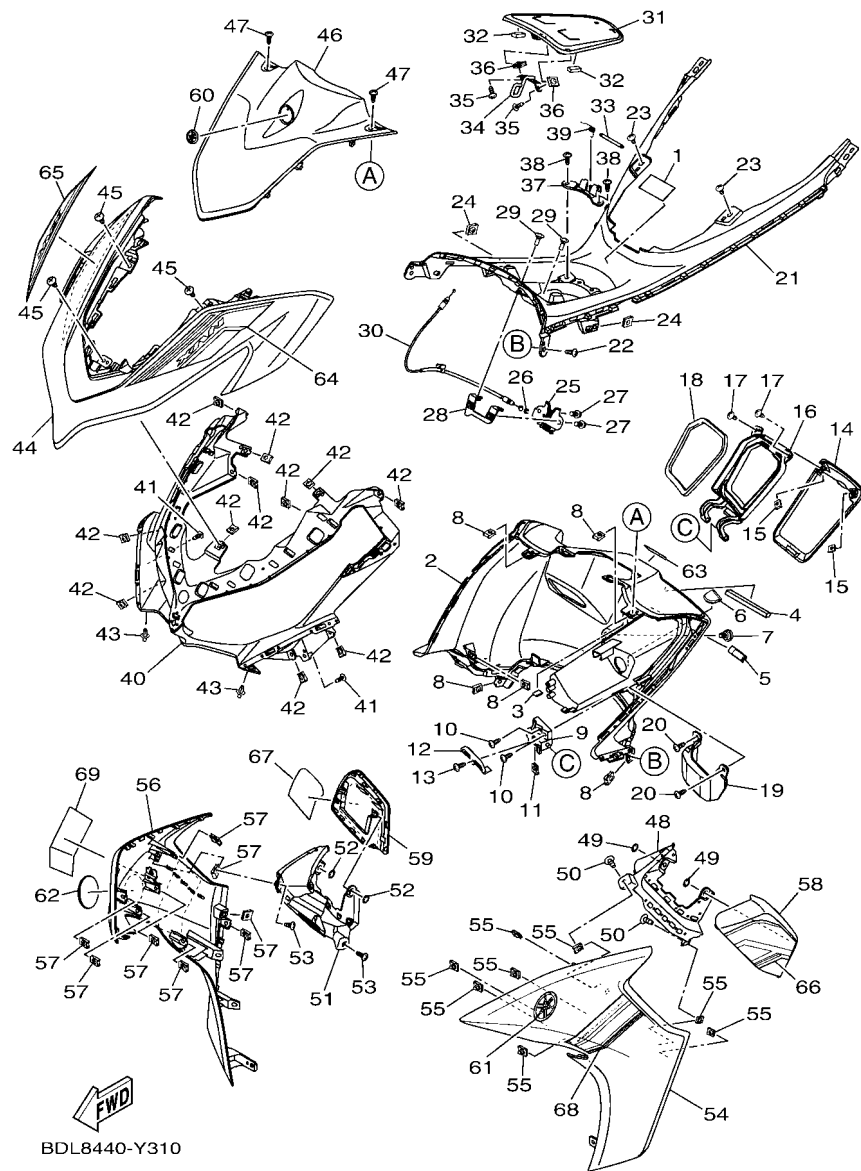
REF. NO.	PART NO.	DESCRIPTION	BDL8	BDL9	REMARKS
28	B65-F8357-10	STAY 2	1		
29	90149-05804	SCREW	2		
30	B65-F4494-10	WIRE, PULL	1		
31	BBP-F74A8-01	LID, FUEL	1		
32	90520-10850	DAMPER, PLATE	2		
33	B65-F818A-00	PIN	1		
34	B65-F131C-00	BAR LOCK	1		
35	98907-05012	SCREW, BIND	2		
36	90183-050A7	NUT, SPRING	2		
37	BBP-F846K-01	COVER, HINGE 1	1		
38	97707-50016	SCREW, TRUSS HEAD TAPPING	2		
39	BBP-F7426-00	SPRING, RETURN	1		
40	BBP-F8311-00	LEG SHIELD 1	1		
41	97702-50012	SCREW, TAPPING	2		
42	90183-05807	NUT, SPRING	11		
43	90269-06816	RIVET	2		
44	BBP-F2865-00-PB	COVER, FRONT	1		UR FOR MNM3
	BBP-F2865-00-P8	COVER, FRONT	1		UR FOR CM6
45	97707-50016	SCREW, TRUSS HEAD TAPPING	3		
46	BBN-F286F-00	COVER, FRONT 2	1		
47	90160-05814	SCREW, ROUND TAPPING	2		
48	BBP-F8351-01	COWLING	1		
49	90183-06815	NUT, SPRING	2		
50	97702-50012	SCREW, TAPPING	2		
51	BBP-F8377-01	COWLING	1		
52	90183-06815	NUT, SPRING	2		
53	97702-50012	SCREW, TAPPING	2		

FIG. 30 LEG SHIELD



REF. NO.	PART NO.	DESCRIPTION	BDL8	BDL9	REMARKS
54	BBP-F835U-00-PA	PANEL 1	1		UR FOR MNM3
	BBP-F835U-00-PB	PANEL 1	1		UR FOR CM6
55	90183-05807	NUT, SPRING	8		
56	BBP-F835V-00-PA	PANEL 2	1		UR FOR MNM3
	BBP-F835V-00-PB	PANEL 2	1		UR FOR CM6
57	90183-05807	NUT, SPRING	8		
58	BBP-F8345-00-P7	MOLE 1	1		SM12 FOR MNM3,CM6
59	BBP-F8346-00-P7	MOLE 2	1		SM12 FOR MNM3,CM6
60	5P2-F1737-00	EMBLEM	1		
61	5P2-F839B-00	EMBLEM 3D	1		
62	5P2-F839B-00	EMBLEM 3D	1		
63	99234-00100	EMBLEM, YAMAHA	2		
64	BDL-F834C-00	EMBLEM, 1	1		
65	BDL-F8391-40	GRAPHIC 1	1		UR FOR MNM3
	BDL-F8391-50	GRAPHIC 1	1		UR FOR CM6
66	BDL-F8392-40	GRAPHIC 2	1		UR FOR MNM3
	BDL-F8392-50	GRAPHIC 2	1		UR FOR CM6
67	BDL-F8393-40	GRAPHIC 3	1		UR FOR MNM3
	BDL-F8393-50	GRAPHIC 3	1		UR FOR CM6
68	BDL-F8394-40	GRAPHIC 4	1		UR FOR MNM3
	BDL-F8394-50	GRAPHIC 4	1		UR FOR CM6
69	BDL-F8398-40	GRAPHIC 5	1		UR FOR MNM3
	BDL-F8398-50	GRAPHIC 5	1		UR FOR CM6
70	BDL-F8399-40	GRAPHIC 6	1		UR FOR MNM3
	BDL-F8399-50	GRAPHIC 6	1		UR FOR CM6

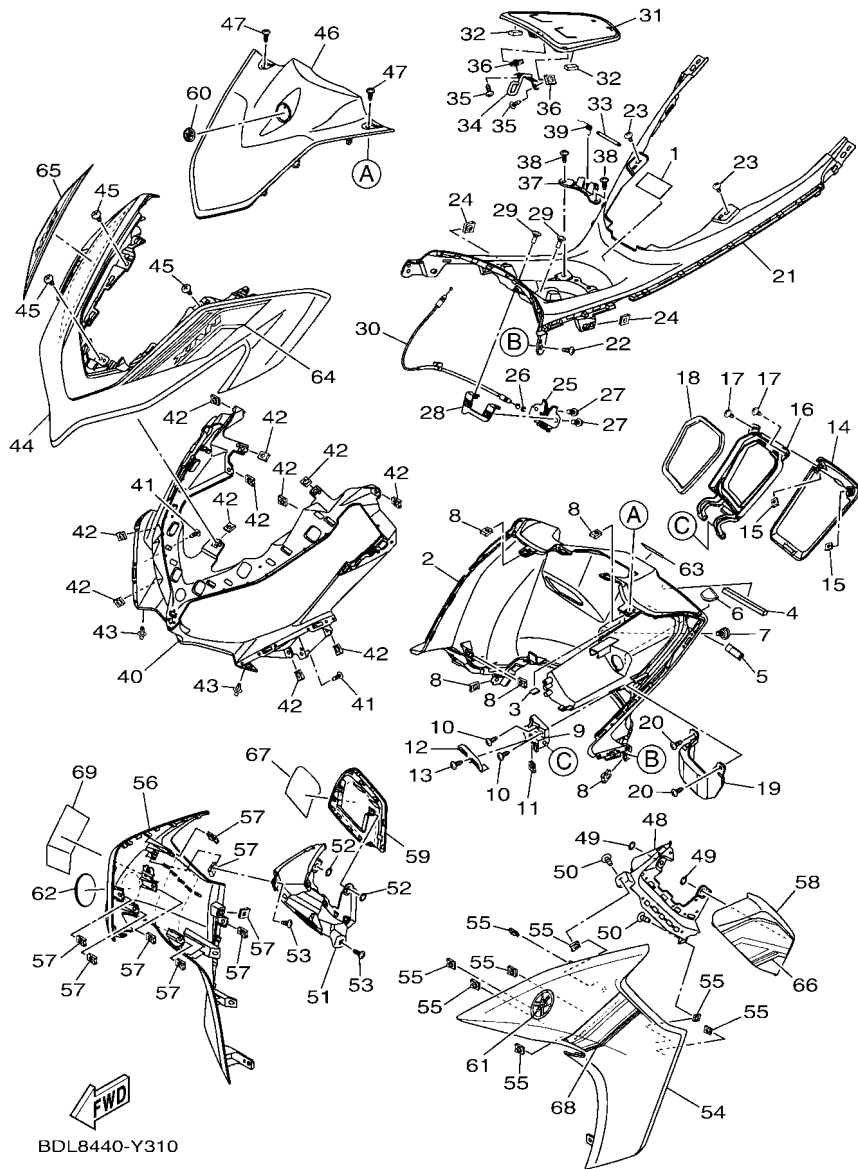
FIG. 31 LEG SHIELD 2



BDL8440-Y310

REF. NO.	PART NO.	DESCRIPTION	BDL8	BDL9	REMARKS
1	BG3-F1568-00	LABEL, WARNING		1	
2	BBP-F8312-00	LEG SHIELD 2		1	
3	90520-01806	DAMPER, PLATE		1	
4	90520-06822	DAMPER, PLATE		1	
5	BBP-F4618-00	PLATE, LOCK 3		1	
6	BBP-F8349-00	CAP		1	
7	90109-068B3	BOLT		1	
8	90183-05807	NUT, SPRING		5	
9	BBP-F8321-01	STAY 1		1	
10	90160-05012	SCREW, ROUND TAPPING		2	
11	90183-05807	NUT, SPRING		1	
12	BBN-F1796-00	HINGE		1	
13	97707-50016	SCREW, TRUSS HEAD TAPPING		1	
14	BBP-F177E-00	LID		1	
15	90183-05807	NUT, SPRING		2	
16	BBP-F8322-00	STAY 2		1	
17	97702-50012	SCREW, TAPPING		2	
18	90520-06821	DAMPER, PLATE		1	
19	BBP-F8365-01	COVER		1	
20	97707-50016	SCREW, TRUSS HEAD TAPPING		2	
21	BBP-F842M-01	COVER 1		1	
22	97702-50012	SCREW, TAPPING		1	
23	97707-50016	SCREW, TRUSS HEAD TAPPING		2	
24	90183-05807	NUT, SPRING		2	
25	40D-F4780-01	SEAT LOCK ASSY		1	
26	1S8-F4768-00	STOPPER		1	
27	95E32-06012	BOLT, FLANGE DEEP RECESS		2	

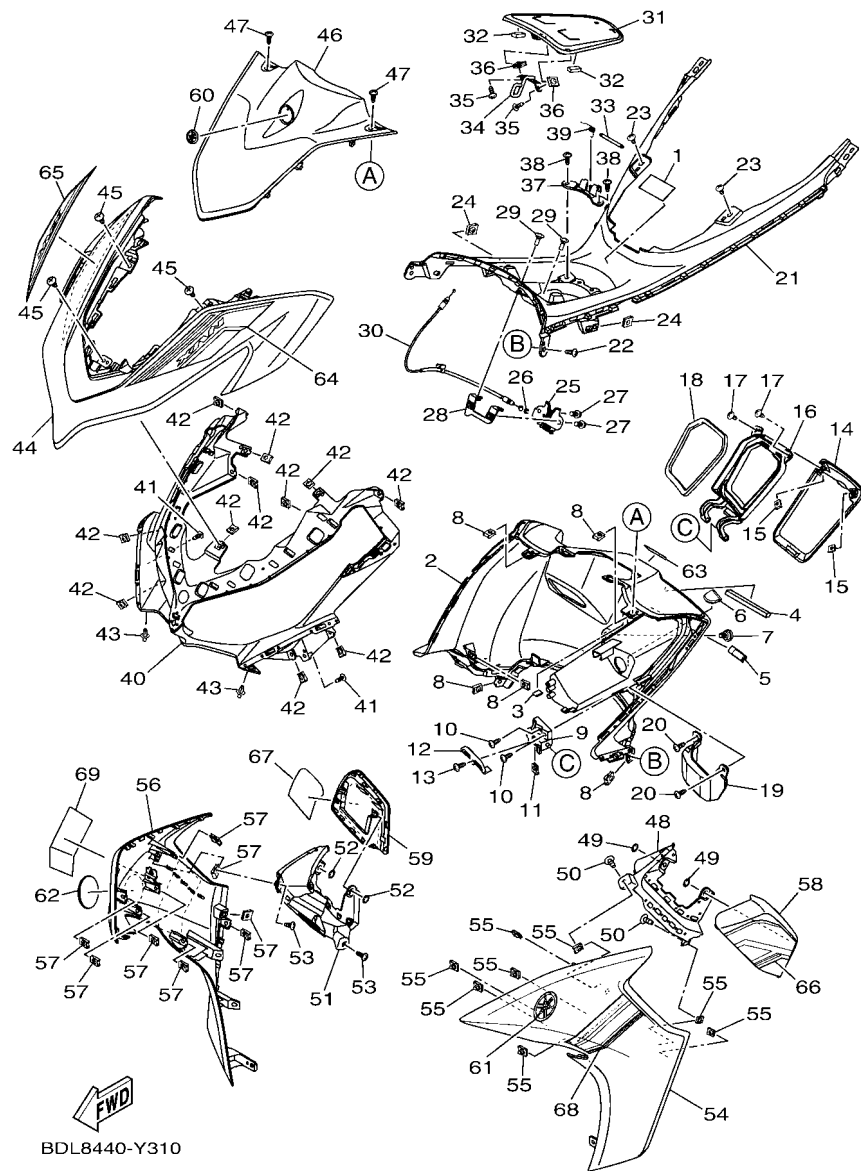
FIG. 31 LEG SHIELD 2



BDL8440-Y310

REF. NO.	PART NO.	DESCRIPTION	BDL8	BDL9	REMARKS
28	B65-F8357-10	STAY 2		1	
29	90149-05804	SCREW		2	
30	B65-F4494-10	WIRE, PULL		1	
31	BBP-F74A8-01	LID, FUEL		1	
32	90520-10850	DAMPER, PLATE		2	
33	B65-F818A-00	PIN		1	
34	B65-F131C-00	BAR LOCK		1	
35	98907-05012	SCREW, BIND		2	
36	90183-050A7	NUT, SPRING		2	
37	BBP-F846K-01	COVER, HINGE 1		1	
38	97707-50016	SCREW, TRUSS HEAD TAPPING		2	
39	BBP-F7426-00	SPRING, RETURN		1	
40	BBP-F8311-00	LEG SHIELD 1		1	
41	97702-50012	SCREW, TAPPING		2	
42	90183-05807	NUT, SPRING		11	
43	90269-06816	RIVET		2	
44	BBP-F2865-00-P5	COVER, FRONT		1	UR FOR WMB
	BBP-F2865-00-PA	COVER, FRONT		1	UR FOR MDNM8
45	97707-50016	SCREW, TRUSS HEAD TAPPING		3	
46	BBN-F286F-00	COVER, FRONT 2		1	
47	90160-05814	SCREW, ROUND TAPPING		2	
48	BBP-F8351-01	COWLING		1	
49	90183-06815	NUT, SPRING		2	
50	97702-50012	SCREW, TAPPING		2	
51	BBP-F8377-01	COWLING		1	
52	90183-06815	NUT, SPRING		2	
53	97702-50012	SCREW, TAPPING		2	

FIG. 31 LEG SHIELD 2

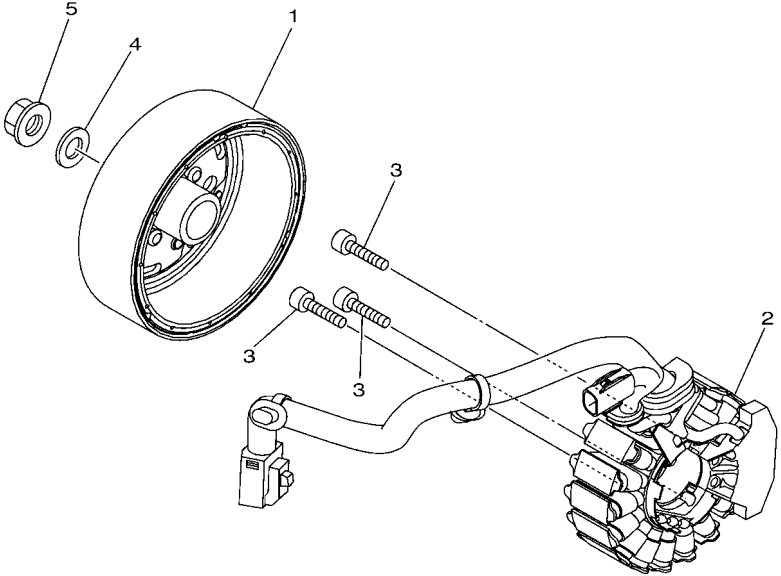


BDL8440-Y310

REF. NO.	PART NO.	DESCRIPTION	BDL 8	BDL 9	REMARKS
54	BBP-F835U-00-P5	PANEL 1		1	UR FOR WMB
	BBP-F835U-00-P9	PANEL 1		1	UR FOR MDNM8
55	90183-05807	NUT, SPRING		8	
56	BBP-F835V-00-P5	PANEL 2		1	UR FOR WMB
	BBP-F835V-00-P9	PANEL 2		1	UR FOR MDNM8
57	90183-05807	NUT, SPRING		8	
58	BBP-F8345-00-P5	MOLE 1		1	UR FOR WMB
	BBP-F8345-00-PB	MOLE 1		1	UR FOR MDNM8
59	BBP-F8346-00-P5	MOLE 2		1	UR FOR WMB
	BBP-F8346-00-PB	MOLE 2		1	UR FOR MDNM8
60	5P2-F1737-00	EMBLEM		1	
61	5P2-F839B-00	EMBLEM 3D		1	
62	5P2-F839B-00	EMBLEM 3D		1	
63	BDL-F834C-00	EMBLEM, 1		1	
64	BDL-F8391-60	GRAPHIC 1		1	UR FOR WMB
	BDL-F8391-70	GRAPHIC 1		1	UR FOR MDNM8
65	BDL-F8392-60	GRAPHIC 2		1	UR FOR WMB
	BDL-F8392-70	GRAPHIC 2		1	UR FOR MDNM8
66	BDL-F8393-60	GRAPHIC 3		1	UR FOR WMB
	BDL-F8393-70	GRAPHIC 3		1	UR FOR MDNM8
67	BDL-F8394-60	GRAPHIC 4		1	UR FOR WMB
	BDL-F8394-70	GRAPHIC 4		1	UR FOR MDNM8
68	BDL-F8398-60	GRAPHIC 5		1	UR FOR WMB
	BDL-F8398-70	GRAPHIC 5		1	UR FOR MDNM8
69	BDL-F8399-60	GRAPHIC 6		1	UR FOR WMB
	BDL-F8399-70	GRAPHIC 6		1	UR FOR MDNM8

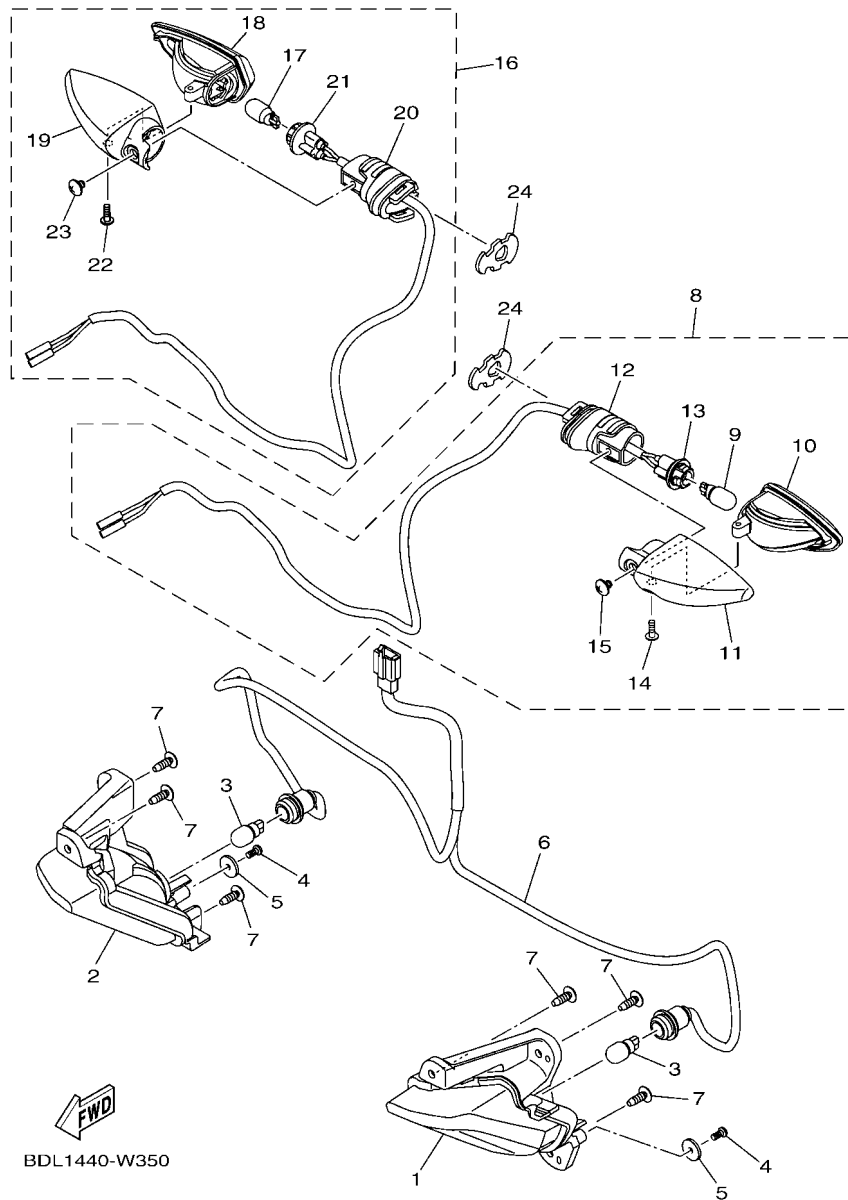
FIG. 32 GENERATOR

REF. NO.	PART NO.	DESCRIPTION	BDL8	BDL9		REMARKS
1	B6H-H1450-00	ROTOR ASSY	1	1		
2	B6H-H1410-00	STATOR ASSY	1	1		
3	90110-06880	BOLT, HEXAGON SOCKET HEAD	3	3		
4	90201-12688	WASHER, PLATE	1	1		
5	90179-12004	NUT	1	1		



BBP1460-W320

FIG. 33 FLASHER LIGHT

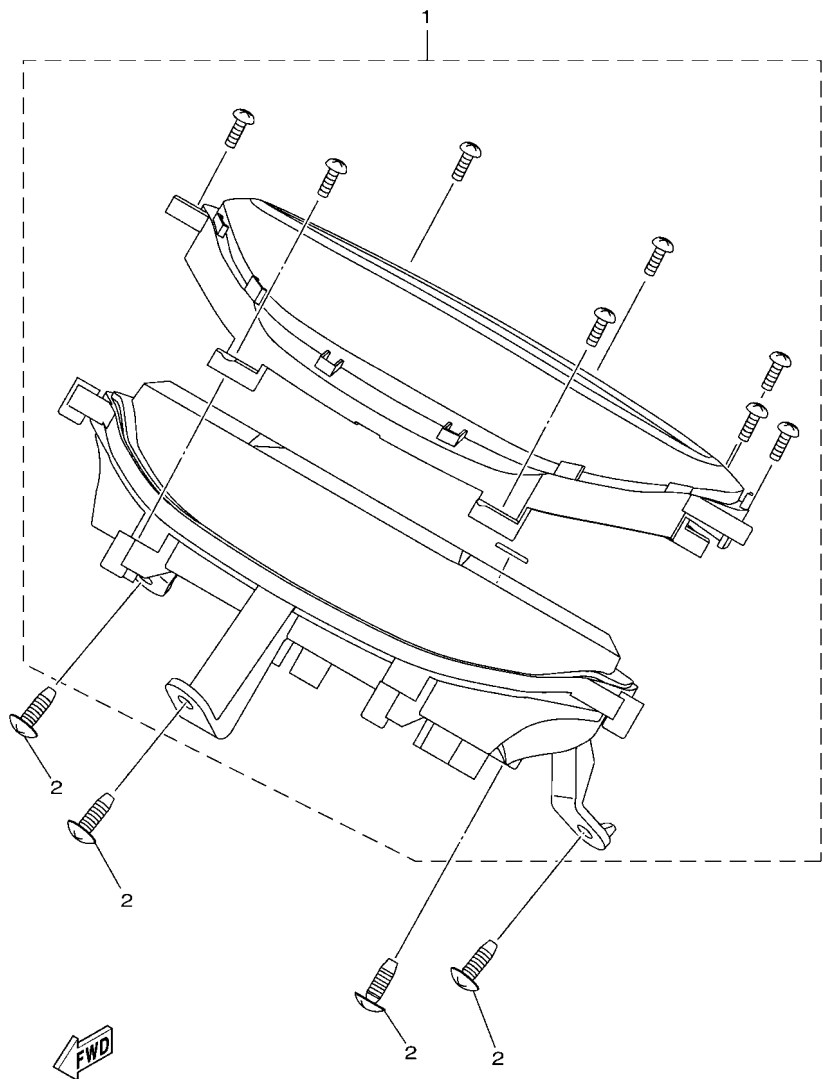


BDL1440-W350

REF. NO.	PART NO.	DESCRIPTION	BDL8	BDL9	REMARKS
1	B63-H3310-00	FRONT FLASHER LIGHT ASSY 1	1	1	
2	B63-H3320-00	FRONT FLASHER LIGHT ASSY 2	1	1	
3	2CB-H3311-00	BULB, FLASHER (12V-10W)	2	2	
4	97702-40612	SCREW, TAPPING	2	2	
5	1PB-H4127-00	WASHER, SPECIAL	2	2	
6	B63-H331E-01	CORD ASSY	1	1	
7	97702-50012	SCREW, TAPPING	6	6	
8	BG3-H3330-00	REAR FLASHER LIGHT ASSY 1	1	1	
9	55D-H3311-00	.BULB, FLASHER (12V-10W)	1	1	
10	55D-H333A-00	.LENS COMP 1	1	1	
11	55D-H3323-00	.BODY	1	1	
12	55D-H3328-00	.STAY, FLASHER 2	1	1	
13	BG3-H333E-00	.CORD ASSY	1	1	
14	55D-H3333-00	.SCREW, LENS FITTING	1	1	
15	55D-H3358-00	.SCREW, SPECIAL	1	1	
16	BG3-H3340-00	REAR FLASHER LIGHT ASSY 2	1	1	
17	55D-H3311-00	.BULB, FLASHER (12V-10W)	1	1	
18	55D-H334A-00	.LENS COMP 2	1	1	
19	55D-H332M-00	.BODY 2	1	1	
20	55D-H3328-00	.STAY, FLASHER 2	1	1	
21	BG3-H334E-00	.CORD ASSY	1	1	
22	55D-H3333-00	.SCREW, LENS FITTING	1	1	
23	55D-H3358-00	.SCREW, SPECIAL	1	1	
24	1VP-H3318-00	STAY, FLASHER 1	2	2	

FIG. 34 METER

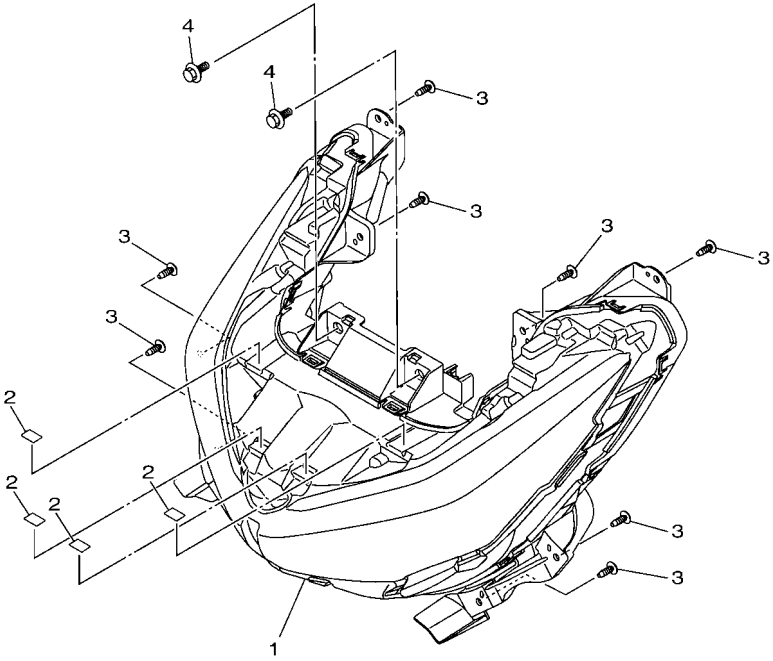
REF. NO.	PART NO.	DESCRIPTION	BDL 8	BDL 9	REMARKS
1	BBP-H3500-30	METER ASSY	1		
	BBP-H3500-40	METER ASSY		1	
2	97707-50016	SCREW, TRUSS HEAD TAPPING	4	4	



BBP1460-W340

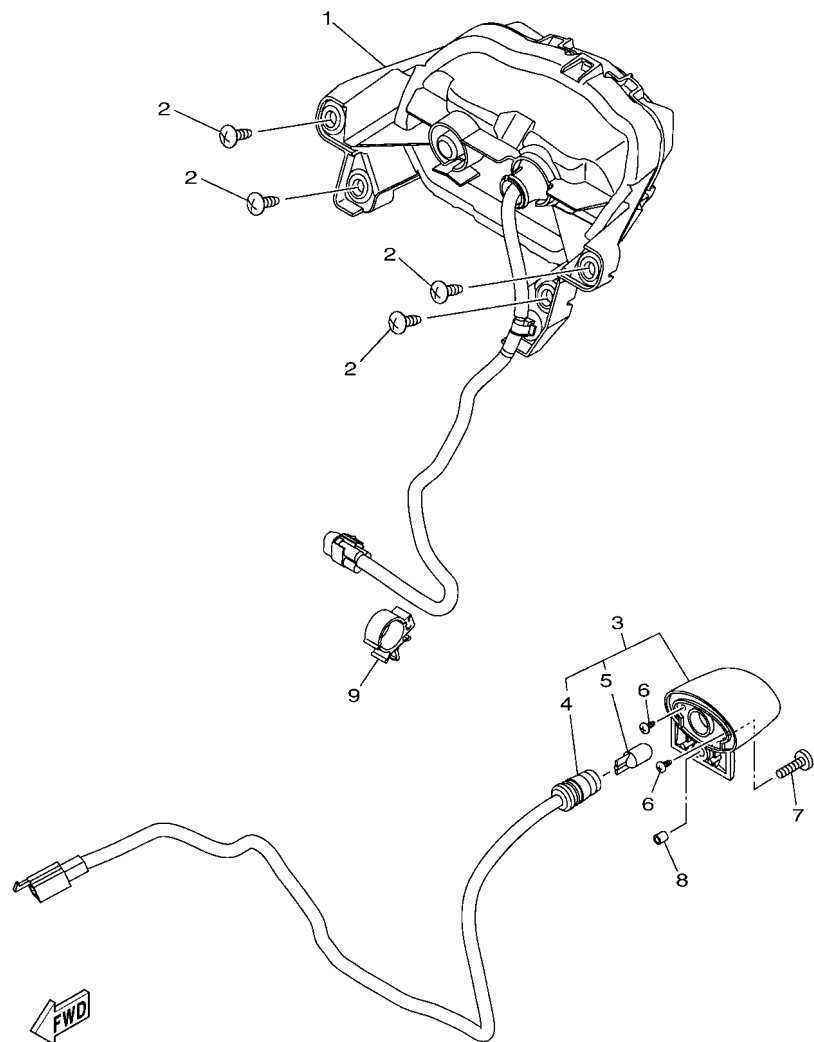
FIG. 35 HEADLIGHT

REF. NO.	PART NO.	DESCRIPTION			REMARKS
			BDL8	BDL9	
1	BBN-H4300-01	HEADLIGHT ASSY	1	1	
2	90520-01806	DAMPER, PLATE	4	4	
3	97707-50016	SCREW, TRUSS HEAD TAPPING	8	8	
4	90109-068B5	BOLT	2	2	



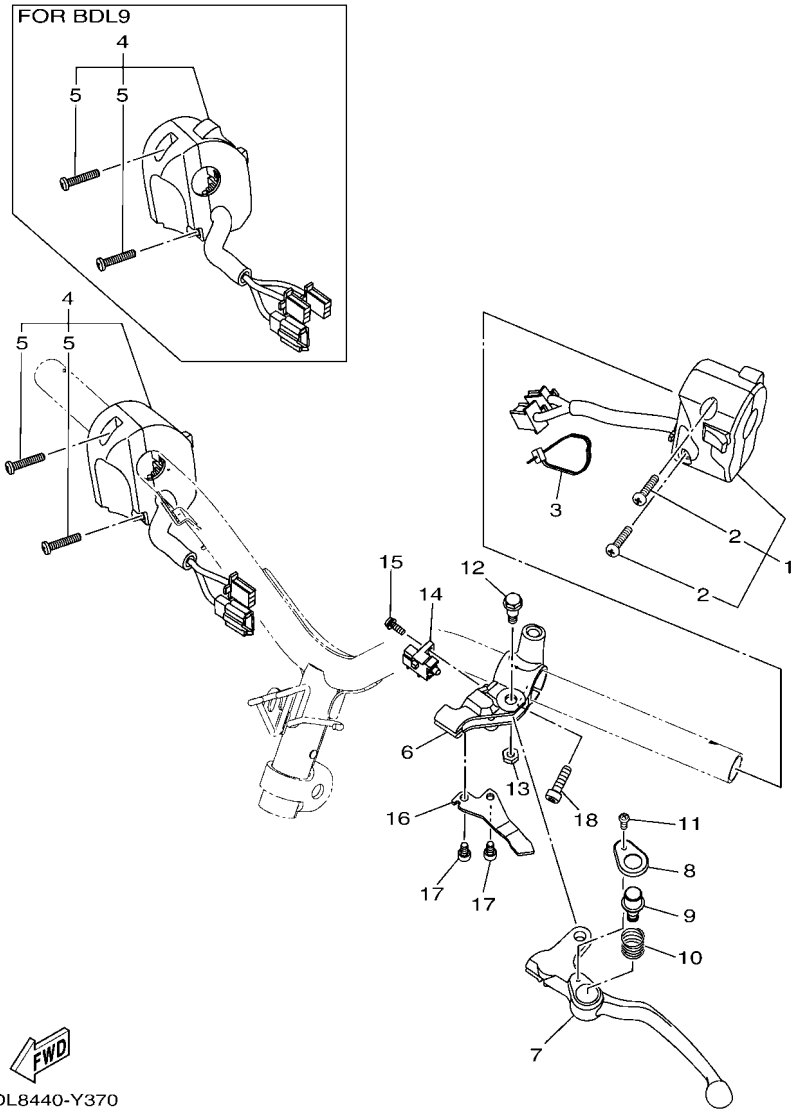
BBP1460-W350

FIG. 36 TAILLIGHT



BDL5440-X380

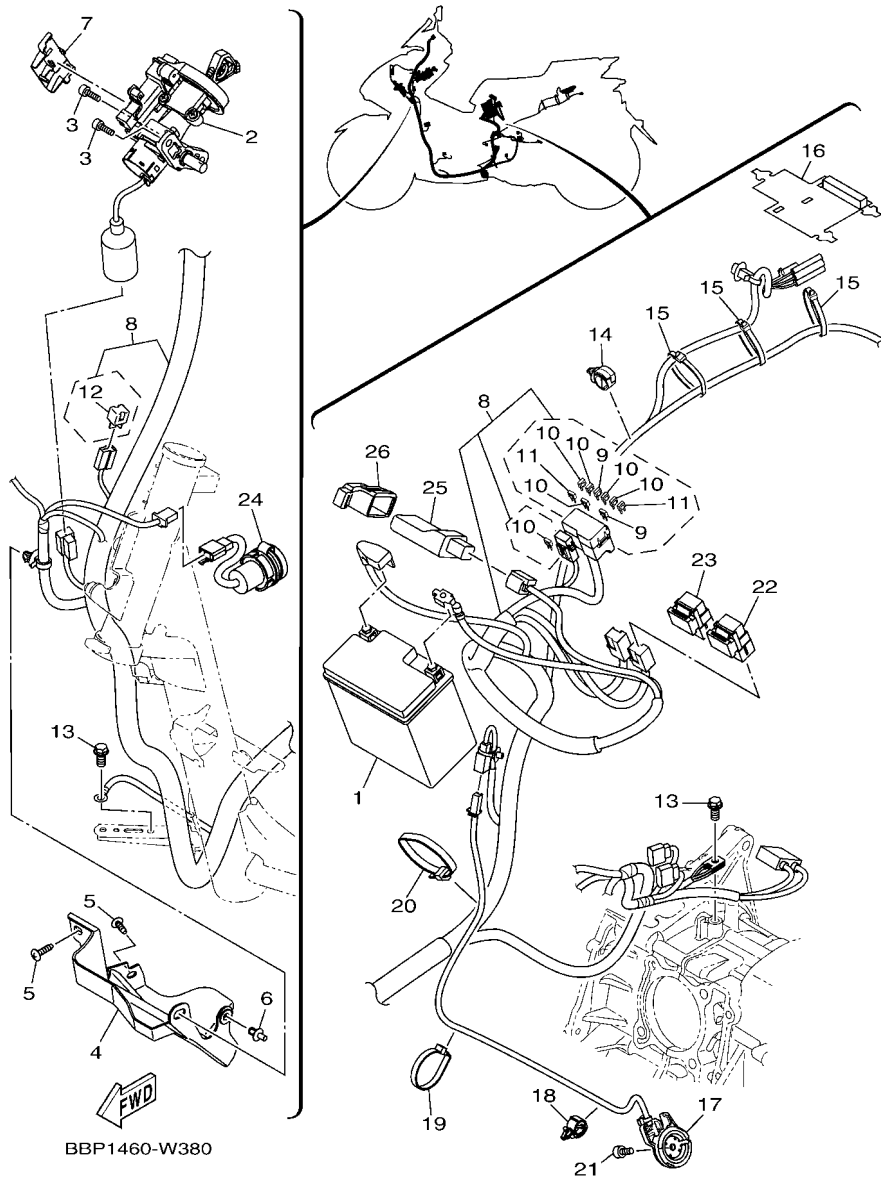
REF. NO.	PART NO.	DESCRIPTION			REMARKS
			BDL8	BDL9	
1	BBP-H4710-01	TAILLIGHT UNIT ASSY	1	1	
2	97707-50016	SCREW, TRUSS HEAD TAPPING	4	4	
3	BBN-H4740-01	LICENSE LIGHT ASSY	1	1	
4	1WD-H4547-01	.CORD, LICENSE LIGHT	1	1	
5	2ND-H4744-00	.BULB (12V-5W)	1	1	
6	1CK-H4726-00	.SCREW	2	2	
7	98907-04014	SCREW, BIND	1	1	
8	90445-05004	HOSE	1	1	
9	90464-16006	CLAMP	1	1	



BDL8440-Y370

FIG. 37 HANDLE SWITCH & LEVER

REF. NO.	PART NO.	DESCRIPTION	BDL8	BDL9	REMARKS
1	B6H-H3972-00	SWITCH, HANDLE 4	1	1	
2	98507-05025	.SCREW, PAN HEAD	2	2	
3	90464-36800	CLAMP	1	1	
4	BBP-H3975-01	SWITCH, HANDLE 2	1		
	B3F-H3973-01	SWITCH, HANDLE 3		1	
5	98507-05025	.SCREW, PAN HEAD	2	2	
6	B65-H2911-00	HOLDER, LEVER 1	1	1	
7	1LB-H3912-00	LEVER 1	1	1	
8	1LB-H3935-00	COVER	1	1	
9	1LB-H3967-00	PIN, LOCK 1	1	1	
10	40D-H3962-00	SPRING	1	1	
11	40D-H396X-00	SCREW, LEVER FITTING	1	1	
12	90109-06798	BOLT	1	1	
13	95602-06100	NUT, SELF-LOCKING	1	1	
14	B0R-H2530-10	STOP SWITCH ASSY	1	1	
15	97602-04312	SCREW, PAN HEAD WITH WASHER	1	1	
16	B65-H2556-00	DAMPER, STOPPER	1	1	
17	91332-05010	BOLT	2	2	
18	91337-06020	BOLT	1	1	



BBP1460-W380

FIG. 38 ELECTRICAL 1

REF. NO.	PART NO.	DESCRIPTION	BDL 8	BDL 9	REMARKS
1	BBM-H2100-00	BATTERY ASSY (YUASA YTZ6V)	1		
2	BDL-H252E-00	MAIN SWITCH COMP.	1		
3	90111-06162	BOLT, HEXAGON SOCKET BUTTON	2		
4	BBP-H2568-01	COVER, MAIN SWITCH	1		
5	97707-50016	SCREW, TRUSS HEAD TAPPING	2		
6	90269-06816	RIVET	1		
7	B65-H255D-01	COVER, MAIN SWITCH 2	1		
8	BDL-H2590-00	WIRE HARNESS ASSY	1		
9	B65-H2151-60	.FUSE (30A)	2		
10	B65-H2151-00	.FUSE (7.5A)	6		
11	B65-H2151-90	.FUSE(5A)	2		
12	3WP-81980-00	.DIODE ASSY	1		
13	95E32-06012	BOLT, FLANGE DEEP RECESS	2		
14	90464-13249	CLAMP	1		
15	90464-70800	CLAMP	3		
16	B65-H7229-01	BAND	1		
17	B65-H2566-01	SWITCH, SIDE STAND	1		
18	90464-13249	CLAMP	1		
19	90464-50800	CLAMP	1		
20	90464-65801	CLAMP	1		
21	90110-06888	BOLT, HEXAGON SOCKET HEAD	1		
22	BK6-H1950-00	RELAY ASSY	1		UR EITHER CAN USE
	2PH-H1940-11	STARTER RELAY ASSY	1		UR EITHER CAN USE
23	B3F-H1950-10	RELAY ASSY	1		UR EITHER CAN USE
	B63-H1950-10	RELAY ASSY	1		UR EITHER CAN USE
24	B6H-H254B-00	TERMINAL COMP.	1		
25	B6Y-H5810-04	COMMUNICATION CONT. UNIT ASSY	1		

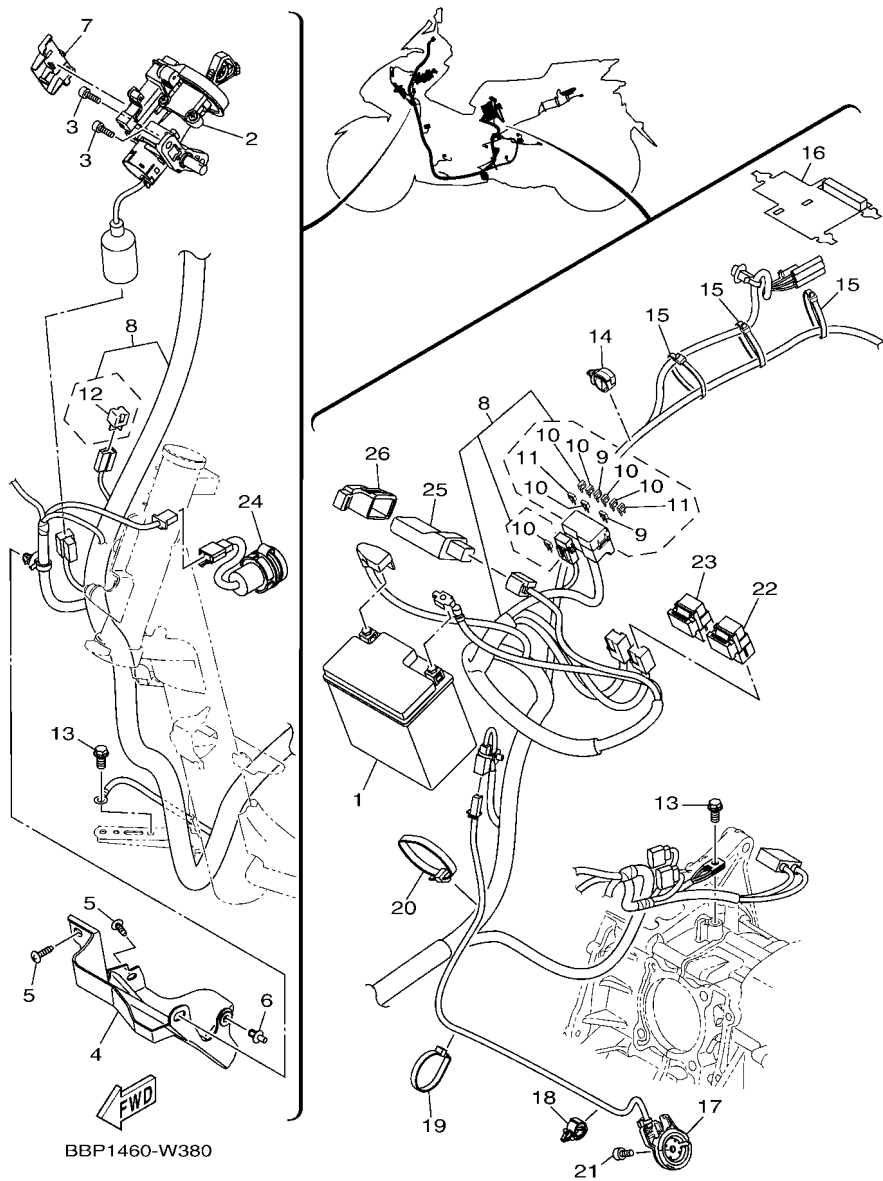


FIG. 38 ELECTRICAL 1

REF. NO.	PART NO.	DESCRIPTION	BDL 8	BDL 9	REMARKS
26	BBP-H5546-00	BAND	1		

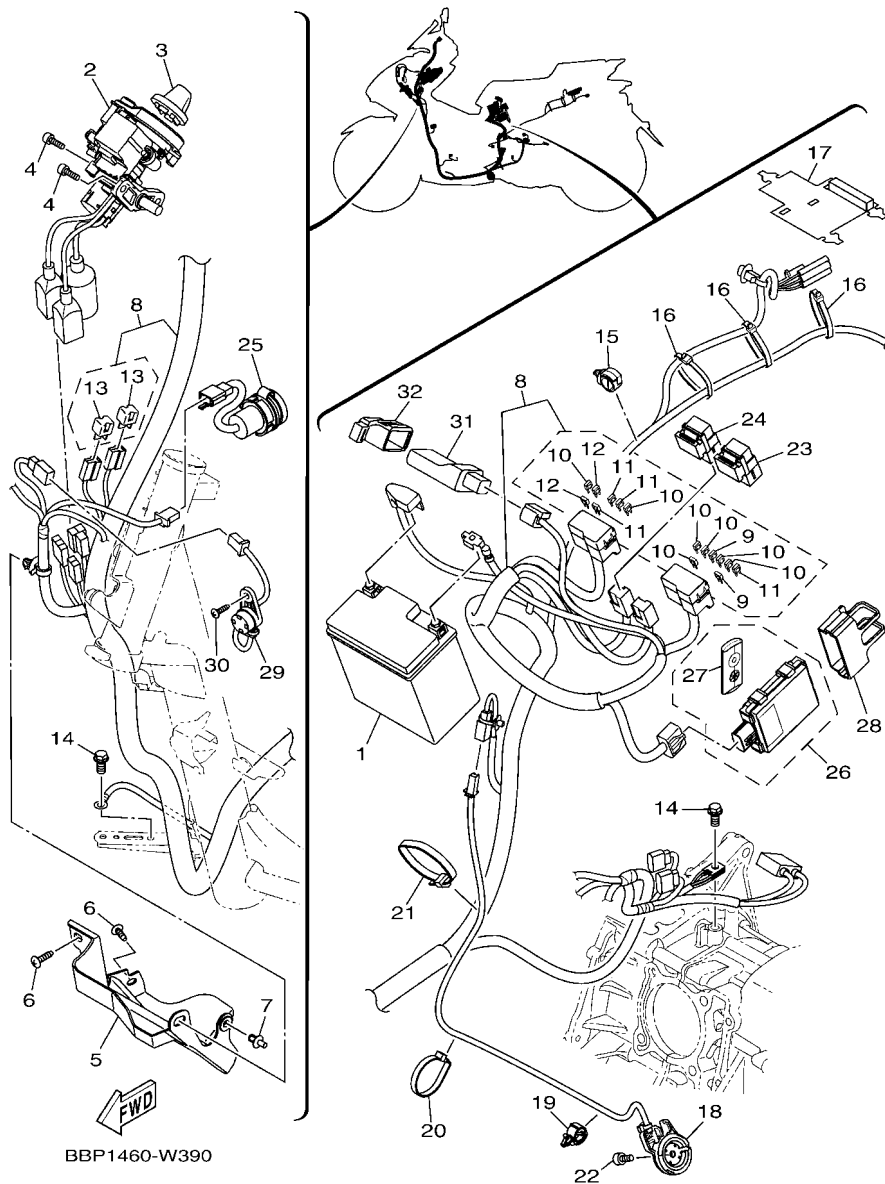


FIG. 39 ELECTRICAL 2

REF. NO.	PART NO.	DESCRIPTION	BDL8	BDL9	REMARKS
1	BC1-H2100-00	BATTERY ASSY (YUASA YTZ7V)		1	
2	BDL-H2501-01	MAIN SWITCH STEERING LOCK		1	
3	B5D-H276E-00	KNOB COMP.		1	
4	90111-06162	BOLT, HEXAGON SOCKET BUTTON		2	
5	BBP-H2568-01	COVER, MAIN SWITCH		1	
6	97707-50016	SCREW, TRUSS HEAD TAPPING		2	
7	90269-06816	RIVET		1	
8	BDL-H2590-10	WIRE HARNESS ASSY		1	
9	B65-H2151-60	.FUSE (30A)		2	
10	B65-H2151-00	.FUSE (7.5A)		7	
11	B65-H2151-90	.FUSE(5A)		4	
12	1LB-H2151-00	.FUSE (10A)		2	
13	3WP-81980-00	.DIODE ASSY		2	
14	95E32-06012	BOLT, FLANGE DEEP RECESS		2	
15	90464-13249	CLAMP		1	
16	90464-70800	CLAMP		3	
17	B65-H7229-01	BAND		1	
18	B65-H2566-01	SWITCH, SIDE STAND		1	
19	90464-13249	CLAMP		1	
20	90464-50800	CLAMP		1	
21	90464-65801	CLAMP		1	
22	90110-06888	BOLT, HEXAGON SOCKET HEAD		1	
23	BK6-H1950-00	RELAY ASSY		1	UR EITHER CAN USE
	2PH-H1940-11	STARTER RELAY ASSY		1	UR EITHER CAN USE
24	B3F-H1950-10	RELAY ASSY		1	UR EITHER CAN USE
	B63-H1950-10	RELAY ASSY		1	UR EITHER CAN USE
25	B6H-H254B-00	TERMINAL COMP.		1	

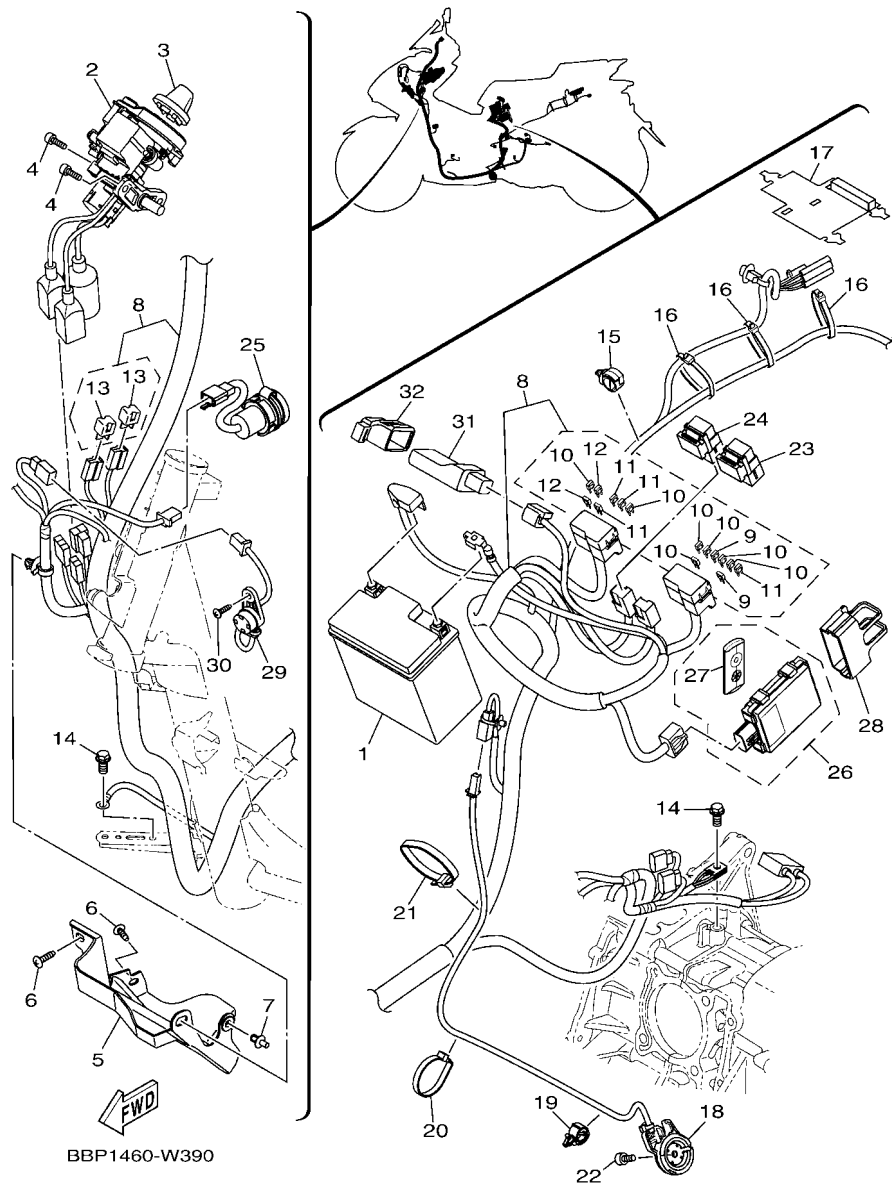
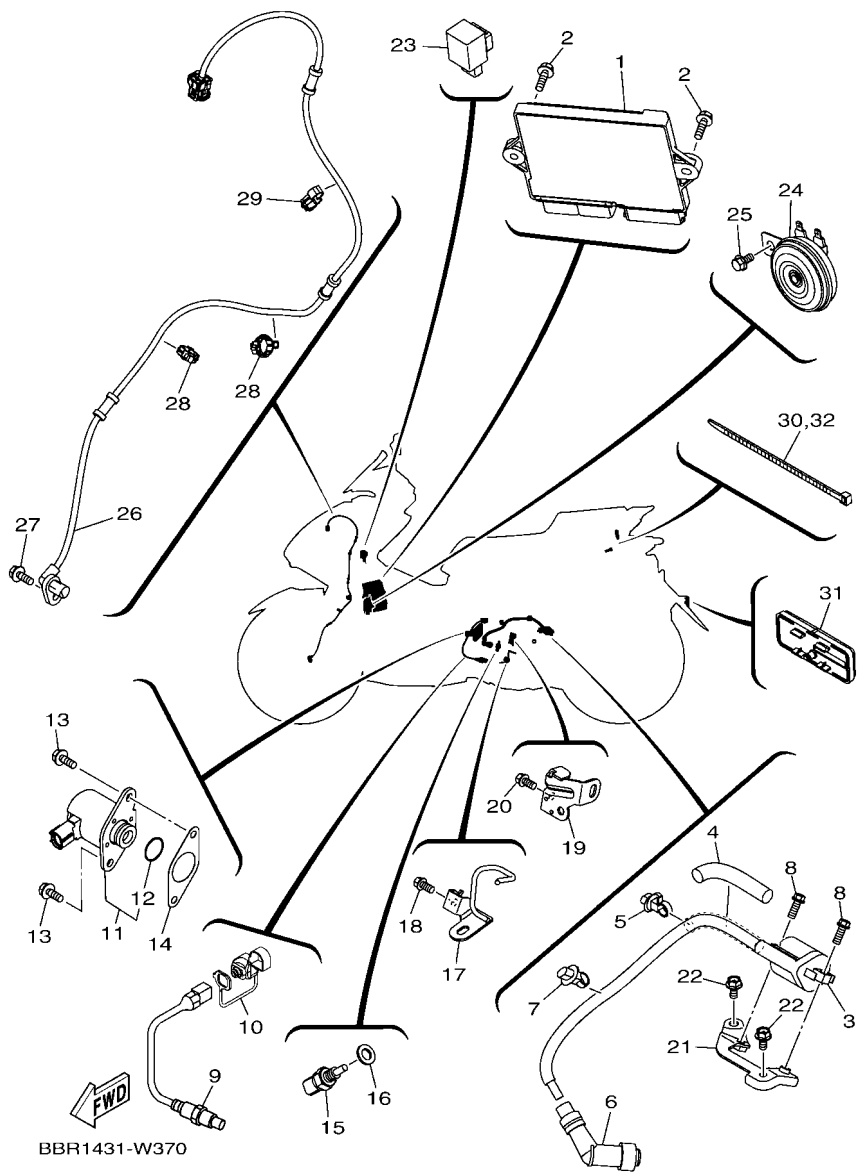


FIG. 39 ELECTRICAL 2

REF. NO.	PART NO.	DESCRIPTION	BDL 8	BDL 9	REMARKS
26	BX9-H6260-04	REMOTE CONTROL UNIT ASSY		1	
27	B2T-H6261-03	.XMTR. COMP.		1	
28	B65-H5546-00	BAND		1	
29	B3F-H3383-00	BUZZER		1	
30	97707-50016	SCREW, TRUSS HEAD TAPPING		1	
31	B6Y-H5810-04	COMMUNICATION CONT. UNIT ASSY		1	
32	BBP-H5546-00	BAND		1	

FIG. 40 ELECTRICAL 3



REF. NO.	PART NO.	DESCRIPTION	BDL 8	BDL 9	REMARKS
1	BDL-H594A-01	STARTER GEN. CONT. UNIT ASSY	1		
	BDL-H594A-11	STARTER GEN. CONT. UNIT ASSY		1	
2	95D32-06020	BOLT, FLANGE DEEP RECESS	2	2	
3	BBP-H2310-00	IGNITION COIL ASSY	1	1	
4	BBP-H2351-00	TUBE, CORD	1	1	
5	90464-14809	CLAMP	1	1	
6	2DP-H2370-00	PLUG CAP ASSY	1	1	
7	90464-25009	CLAMP	1	1	
8	90105-068C7	BOLT, FLANGE	2	2	
9	BBR-H592A-10	SENSOR, OXYGEN	1	1	
10	BBR-H816G-00	COVER CONNECTER	1	1	
11	BK6-H6110-10	SOLENOID	1	1	
12	BK6-H1847-00	.O-RING	1	1	
13	95D32-06016	BOLT, FLANGE DEEP RECESS	2	2	
14	2DP-H1861-00	GASKET	1	1	
15	52B-H3591-00	THERMO UNIT	1	1	
16	90430-10806	GASKET	1	1	
17	B6H-E5142-00	GUIDE 1	1	1	
18	95E37-06012	BOLT, FLANGE DEEP RECESS	1	1	
19	B6H-E5143-00	GUIDE 2	1	1	
20	95E37-06012	BOLT, FLANGE DEEP RECESS	1	1	
21	BBP-E5544-00	STAY 1	1	1	
22	90105-068D4	BOLT, FLANGE	2	2	
23	3XV-83350-22	FLASHER RELAY ASSY	1	1	
24	1WD-H3371-00	HORN	1	1	
25	95D02-06012	BOLT, FLANGE DEEP RECESS	1	1	
26	B63-H5970-01	WHEEL SENSOR ASSY, FRONT	1	1	

NUMERICAL INDEX

PART NO.	REF. NO.	PART NO.	REF. NO.	PART NO.	REF. NO.	PART NO.	REF. NO.	PART NO.	REF. NO.	PART NO.	REF. NO.
52S-12439-00	6 - 2	B6H-E2241-00	4 - 9	5TL-E443E-00	8 - 27	2DP-E7465-10	12 - 15	BBP-F171N-00	17 - 13	BDL-F1781-40	17 - 48
3RW-25889-00	27 - 6	B63-E2279-00	3 - 12	BBP-E443E-00	11 - 6	2DP-E7611-00	12 - 6	BBP-F171R-00	16 - 17	BBN-F1796-00	30 - 12
36Y-2589H-00	27 - 5	BBP-E2280-10	4 - 4	B5D-E443G-00	8 - 28	BBP-E7620-00	12 - 1		17 - 17		31 - 12
	28 - 6	B6H-E2288-01	4 - 5	B74-E4449-00	8 - 30	2DP-E7623-00	12 - 3	BBP-F171T-00	16 - 23	B65-F1816-00	16 - 38
3WP-81980-00	38 - 12	B63-E22A2-00	6 - 6	B6H-E4451-00	8 - 24	B8R-E7641-00	12 - 25		17 - 23		17 - 38
	39 - 13	B6H-E240A-01	6 - 4	B6H-E4452-10	8 - 25	44D-E7653-00	12 - 4	BBP-F171X-00-P5	17 - 22	BBP-F1817-00	16 - 39
3XV-83350-22	40 - 23	2DP-E2410-00	6 - 1	B6H-E4453-00	8 - 23	B6H-E7660-00	12 - 12	BBP-F171X-00-P8	16 - 22		17 - 39
BBB-E1102-00	1 - 1	B6H-E2422-00	5 - 1	2DP-E4613-00	9 - 4	B74-E7664-00	12 - 16	BBP-F171X-00-PA	17 - 22	B65-F1871-00	16 - 33
B63-E111F-00	3 - 18	BBN-E2422-00	5 - 1	B63-E4613-00	9 - 4	2DP-E7668-00	12 - 20	BBP-F171X-00-PB	16 - 22		17 - 30
2DP-E1133-10	1 - 2	B63-E2439-00	6 - 7	BK7-E4613-00	9 - 4	BBP-E7670-00	12 - 13	BBP-F1721-00	16 - 4	1S7-F1875-01	16 - 37
2DP-E1165-00	1 - 8	B6H-E2439-00	5 - 3	BBR-E4711-10	9 - 1	B6H-E7674-00	12 - 5		17 - 4		17 - 37
BBP-E1166-00	8 - 35	B6H-E2450-00	5 - 5	B6H-E4718-00	9 - 2	2DP-E7674-10	12 - 17	2DP-F172W-00	29 - 22	BBP-F194U-00	14 - 35
2DP-E1169-00	1 - 9	B65-E2462-02	6 - 5	B6H-E5142-00	40 - 17	B6H-E7678-00	12 - 21	BBP-F1731-00-P2	16 - 7	2DP-F2117-10	18 - 6
2DP-E1181-00	1 - 21	BBN-E2467-00	6 - 25	B6H-E5143-00	40 - 19	2DP-E7678-10	12 - 23	BBP-F1731-00-P5	17 - 7	B65-F2141-00	14 - 12
B6H-E1185-00	5 - 4	B6H-E2481-10	6 - 17	B6H-E5150-00	10 - 1	BBP-E7683-00	12 - 18	BBP-F1731-00-P6	17 - 7	BBP-F2210-40	18 - 1
2DP-E1191-00	1 - 7	B6H-E2482-00	6 - 18	B6H-E5316-00	11 - 14	2DP-E7684-00	12 - 19	5P2-F1737-00	16 - 44	B63-F2210-31	18 - 10
B3F-E1193-00	1 - 15	B6H-E2483-00	6 - 19	B6H-E5326-00	11 - 15	BAL-E8179-00	6 - 29		17 - 44	B65-F2210-31	18 - 10
B6H-E1311-00	1 - 25	B6H-E2491-00	6 - 20	B6H-E533C-00	11 - 20	BBP-F1110-00	14 - 1	B92-F1737-00	26 - 34	B63-F2210-40	18 - 10
2DP-E132G-00	1 - 13	B65-E2611-00	6 - 27	B6H-E533E-00	11 - 22	B65-F113B-00	14 - 11	BBN-F173B-00	17 - 45	B65-F2211-00	18 - 11
B6H-E1351-00	1 - 26	5ST-E2615-00	6 - 9	54P-E5351-01	7 - 3	B65-F117G-00	14 - 8		17 - 45	4D1-F2216-00	10 - 5
BB8-E1391-00	1 - 18	BB8-E2621-01	6 - 21	BBP-E5362-00	10 - 14	B65-F117K-00	15 - 21	BBN-F173B-10	17 - 45		18 - 2
BB8-E1392-00	1 - 19	5ST-E2843-00	6 - 10	5LW-E5363-00	10 - 16	B65-F131C-00	30 - 34		17 - 46	5MX-F2216-00	18 - 2
B6H-E1400-40	2 - 1	B63-E2843-00	6 - 8	B6H-E5371-00	10 - 29		31 - 34		17 - 45	BDL-F221A-00	18 - 12
B63-E1603-00	2 - 9	B6H-E3300-01	7 - 1	5LW-E5371-01	11 - 5	BBP-F1410-00	14 - 6		17 - 46	BDL-F221B-00	18 - 17
BK6-E1631-00	2 - 6	54P-E3411-00	7 - 4	B6H-E5373-00	10 - 30	B65-F1511-00	15 - 1	BDL-F173E-40	16 - 45	BBP-F2865-00-P5	31 - 44
2DP-E1633-00	2 - 7	2DP-E3556-00	8 - 12	2DP-E5407-00	11 - 11	B65-F1521-00	14 - 28	BDL-F173E-50	16 - 45	BBP-F2865-00-P8	30 - 44
2DP-E1651-00	2 - 4	B6H-E3585-00	8 - 1	B6H-E5411-01	11 - 1	BBP-F1552-00	15 - 6	BDL-F173E-60	17 - 49	BBP-F2865-00-PA	31 - 44
B63-E1681-00	2 - 2	B65-E3750-10	8 - 13	BBP-E5421-00	10 - 24	B65-F1556-00-PB	15 - 2	BDL-F173E-70	17 - 49	BBP-F2865-00-PB	30 - 44
BK6-E2111-00	3 - 1	2PV-E3761-00	8 - 6	B65-E5423-01	10 - 18	B65-F1556-00-PL	15 - 2	BDL-F173F-40	16 - 46	BBN-F286F-00	30 - 46
BB8-E2113-01	3 - 4	5LW-E3769-00	10 - 15	B6H-E5431-00	11 - 8	B65-F1556-00-PM	15 - 2	BDL-F173F-50	16 - 46		31 - 46
2DP-E2117-00	3 - 6	2PV-E3770-00	8 - 5	B6H-E5451-00	11 - 2	BDL-F1565-20	15 - 24	BDL-F173F-60	17 - 50	BBR-F2957-00	16 - 41
5TL-E2118-00	3 - 5	BBP-E3907-00	21 - 5	B6H-E5461-10	10 - 25	BDL-F1565-30	15 - 24	BDL-F173F-70	17 - 50		17 - 41
54P-E2119-00	3 - 3	BBP-E3907-10	21 - 5	B65-E5472-00	11 - 10	BG3-F1568-00	30 - 1	BBP-F1741-00-P2	16 - 10	BBP-F3100-00	20 - 1
B3F-E2121-00	3 - 2	54P-E3915-00	21 - 6	2DP-E5474-00	11 - 13		31 - 1	BBP-F1741-00-P5	17 - 10	BBP-F3102-00	20 - 2
50C-E2126-00	3 - 7	54P-E3938-00	8 - 9	B63-E5481-00	11 - 12	BBP-F1611-00	15 - 10	BBP-F1741-00-P6	17 - 10	BBP-F3103-00	20 - 18
2DP-E2150-01	3 - 8	B65-E3971-00	21 - 4	2DP-E5495-00	11 - 9	B65-F1621-00	22 - 16	BDL-F174G-60	17 - 51	B65-F3110-00	20 - 6
B65-E2156-00	3 - 16	54P-E4137-00	8 - 10	BBP-E5544-00	40 - 21	BBP-F162R-00	15 - 15	BDL-F174G-70	17 - 51		20 - 22
5YP-E2157-01	4 - 6	BBP-E4146-00	8 - 4	2DP-E5744-00	12 - 22	BBP-F162R-10	15 - 15	BDL-F174H-60	17 - 52	1FC-F3111-10	20 - 14
33S-E2159-01	3 - 9	54P-E4147-00	8 - 7	B65-E6111-01	13 - 9	B17-F1668-00	22 - 34	BDL-F174H-70	17 - 52		20 - 30
	3 - 14	5CA-E4147-00	8 - 8	BBP-E6611-00	12 - 24	BBP-F1711-00	16 - 1	BDL-F174J-20	16 - 47	B65-F3123-00	19 - 11
B6H-E2160-01	3 - 13	54P-E416A-00	8 - 18	BBP-E6620-00	12 - 7		17 - 1	BDL-F174J-30	16 - 47	B65-F3126-00	20 - 3
B6H-E2170-00	4 - 1	B6H-E4199-00	8 - 2	B65-E6626-00	12 - 10	BBP-F171E-00-P5	17 - 21	BDL-F174K-20	16 - 48	B65-F312G-00	19 - 10
2PV-E2210-01	4 - 11	54P-E4243-00	8 - 15	54P-E6629-00	12 - 9	BBP-F171E-00-P8	16 - 21	BDL-F174K-30	16 - 48	B65-F3136-00	20 - 19
B6H-E2213-00	4 - 12	54P-E4335-00	8 - 16	54P-E6819-00	12 - 11	BBP-F171E-00-PA	17 - 21	BBP-F177E-00	30 - 14	B63-F3141-00	20 - 13
B6H-E2223-00	5 - 2	B6H-E4411-10	8 - 20	B65-E7211-10	13 - 4	BBP-F171E-00-PB	16 - 21		31 - 14		20 - 29
BB8-E2226-00	3 - 11	B6H-E4412-10	8 - 21	B65-E7410-30	13 - 1	BBP-F171L-00	29 - 31	BDL-F1781-30	17 - 47	5LM-F3144-00	20 - 12
1DB-E2228-00	4 - 10	B6H-E4435-00	8 - 31	B65-E7421-00	13 - 3	BBP-F171M-00	29 - 35		17 - 48		20 - 28
B65-E2231-00	4 - 8	B6H-E4437-00	8 - 22	2DP-E7465-00	12 - 14	BBP-F171N-00	16 - 13	BDL-F1781-40	17 - 47	3AY-F3145-00	20 - 4

NUMERICAL INDEX

PART NO.	REF. NO.	PART NO.	REF. NO.	PART NO.	REF. NO.	PART NO.	REF. NO.	PART NO.	REF. NO.	PART NO.	REF. NO.
3AY-F3145-00	20 - 20	B65-F4705-00	22 - 21	5P0-F580A-00	27 - 2	54P-F7121-00	10 - 3	BBP-F835U-00-P9	31 - 54	2PH-H1940-11	39 - 23
2JG-F3147-00	20 - 15	BDL-F470F-00	22 - 2	B63-F580U-00	24 - 3	B63-F7217-00	29 - 8	BBP-F835U-00-PA	30 - 54	BK6-H1950-00	38 - 22
	20 - 31	BBP-F471K-00-P5	17 - 27	2DP-F582U-00	24 - 1	B65-F7217-00	29 - 8	BBP-F835U-00-PB	30 - 54		39 - 23
5LM-F3152-00	20 - 9	BBP-F471K-00-P8	16 - 27	2ND-F5852-00	27 - 4	BBP-F7311-00	29 - 7	BBP-F835V-00-P5	31 - 56	B3F-H1950-10	38 - 23
	20 - 25	BBP-F471K-00-PC	17 - 27	B63-F5852-00	28 - 3	BBP-F7426-00	30 - 39	BBP-F835V-00-P9	31 - 56		39 - 24
31B-F3153-00	20 - 16	BBP-F471K-00-PD	16 - 27	2ND-F5854-00	27 - 3		31 - 39	BBP-F835V-00-PA	30 - 56	B63-H1950-10	38 - 23
	20 - 32	B65-F4726-00	22 - 6		28 - 5	BBP-F7430-00	29 - 41	BBP-F835V-00-PB	30 - 56		39 - 24
5P0-F3156-00	20 - 5	2WB-F4727-00	22 - 5	2ND-F5855-00	27 - 7	B65-F7431-01	29 - 42	BBP-F8365-01	30 - 19	BBM-H2100-00	38 - 1
	20 - 21	B65-F472J-00	22 - 25		28 - 7	BBP-F7440-00	29 - 49		31 - 19	BC1-H2100-00	39 - 1
2JG-F3157-00	20 - 8	BBP-F472K-00	16 - 29	5TL-F5867-11	27 - 8	B65-F7441-01	29 - 50	BBP-F8377-01	30 - 51	BBP-H2129-01	22 - 17
	20 - 24		17 - 29		28 - 11	BBP-F7452-00	29 - 43		31 - 51	1LB-H2151-00	39 - 12
2BU-F3158-00	20 - 10	B65-F472T-00	14 - 29	2ND-F5870-00	27 - 1	BBP-F7462-00	29 - 51	BDL-F8391-40	30 - 65	B65-H2151-00	38 - 10
	20 - 26	BDL-F4730-01	22 - 1	B63-F5870-00	28 - 1	BBP-F7481-00	29 - 12	BDL-F8391-50	30 - 65		39 - 10
B65-F315H-00	20 - 17	B63-F4737-00	22 - 10	B65-F5872-00	27 - 15	BBP-F7483-00	29 - 39	BDL-F8391-60	31 - 64	B65-H2151-60	38 - 9
B65-F315J-00	20 - 33	B65-F4738-00	14 - 31	B65-F5872-10	27 - 15	BBP-F7484-00	29 - 40	BDL-F8391-70	31 - 64		39 - 9
B65-F3170-10	20 - 7	BBP-F473R-00	22 - 8	B65-F5873-00	28 - 15	BBP-F7488-00	29 - 21	BDL-F8392-40	30 - 66	B65-H2151-90	38 - 11
	20 - 23	BBP-F473R-10	22 - 8	B65-F5873-10	28 - 15	BBP-F74A8-01	30 - 31	BDL-F8392-50	30 - 66		39 - 11
31B-F3181-00	20 - 11	3C1-F4741-00	22 - 3	B65-F5874-00	28 - 18		31 - 31	BDL-F8392-60	31 - 65	BBP-H2310-00	40 - 3
	20 - 27	B65-F474A-00	22 - 24	B65-F5874-10	28 - 18	3AY-F8151-00	22 - 33	BDL-F8392-70	31 - 65	BBP-H2351-00	40 - 4
BBP-F3340-00	20 - 34	B65-F474W-00	22 - 28	BBP-F5875-00	19 - 12	B65-F8153-00	22 - 32	BDL-F8393-40	30 - 67	2DP-H2370-00	40 - 6
4D0-F3346-00	20 - 37	BBP-F475M-00	22 - 4	B65-F5876-00	19 - 14	B65-F818A-00	30 - 33	BDL-F8393-50	30 - 67	BDL-H2501-01	39 - 2
4FP-F3411-10	20 - 36	1S8-F4768-00	22 - 23	B65-F587A-10	14 - 24		31 - 33	BDL-F8393-60	31 - 66	BDL-H252E-00	38 - 2
4RT-F3411-10	19 - 4		30 - 26	B65-F5887-00	14 - 22	BBP-F8311-00	30 - 40	BDL-F8393-70	31 - 66	B0R-H2530-10	37 - 14
1KL-F3412-10	19 - 1		31 - 26	3RW-F5889-00	28 - 4		31 - 40	BDL-F8394-40	30 - 68	B6H-H254B-00	38 - 24
4RT-F3412-10	19 - 3	40D-F4780-01	22 - 21	2BM-F5917-00	24 - 6	BBP-F8312-00	30 - 2	BDL-F8394-50	30 - 68		39 - 25
5TL-F3416-01	19 - 6		30 - 25	2BM-F5919-00	24 - 11		31 - 2	BDL-F8394-60	31 - 67	B65-H2556-00	37 - 16
1PA-F3418-00	19 - 9		31 - 25	2DP-F5920-00	24 - 13	BBP-F8321-01	30 - 9	BDL-F8394-70	31 - 67	B65-H255D-01	38 - 7
1SK-F3418-00	19 - 9	BBP-F478E-00	22 - 20	5YP-F5924-00	24 - 12		31 - 9	BDL-F8398-40	30 - 69	B65-H2566-01	38 - 17
1P6-F341E-10	19 - 5	B65-F479D-00	22 - 31	5YP-F5925-01	24 - 10	BBP-F8322-00	30 - 16	BDL-F8398-50	30 - 69		39 - 18
5VL-F341E-10	19 - 2	B65-F482H-00	15 - 19	5YP-F5937-00	24 - 7		31 - 16	BDL-F8398-60	31 - 68	BBP-H2568-01	38 - 4
B63-F3462-00	20 - 35	B65-F5168-00-33	23 - 1	BBP-F6110-00	26 - 1	BBP-F8345-00-P5	31 - 58	BDL-F8398-70	31 - 68		39 - 5
B65-F384L-00	22 - 12	B65-F5168-00-P5	23 - 1	BBP-F6143-00	26 - 22	BBP-F8345-00-P7	30 - 58	BDL-F8399-40	30 - 70	BDL-H2590-00	38 - 8
BBP-F4110-00	21 - 1	B65-F5168-00-P7	23 - 1	BBP-F6145-00	26 - 25	BBP-F8345-00-PB	31 - 58	BDL-F8399-50	30 - 70	BDL-H2590-10	39 - 8
B65-F414A-00	21 - 13	2DP-F517G-00	23 - 5	4US-F6199-00	22 - 11	BBP-F8346-00-P5	31 - 59	BDL-F8399-60	31 - 69	B5D-H276E-00	39 - 3
5D9-F414G-00	14 - 2	B65-F5181-00	23 - 10	B65-F61AA-00	26 - 30	BBP-F8346-00-P7	30 - 59	BDL-F8399-70	31 - 69	B65-H2911-00	37 - 6
BBP-F414G-00	14 - 7	5BP-F530K-20	25 - 8	B92-F6240-00	26 - 6	BBP-F8346-00-PB	31 - 59	5P2-F839B-00	30 - 61	B63-H3310-00	33 - 1
54P-F414G-10	21 - 8	54P-F5326-00	25 - 5	1VP-F6241-00	26 - 5	BBP-F8349-00	30 - 6		30 - 62	2CB-H3311-00	33 - 3
5D9-F414G-10	14 - 3	B65-F5336-00	25 - 4	B92-F6246-00	26 - 7		31 - 6		31 - 61	55D-H3311-00	33 - 9
	21 - 3	B65-F5338-00-33	25 - 1	B70-F6280-00	26 - 8	BDL-F834C-00	30 - 64		31 - 62		33 - 17
B6H-F419A-00	21 - 14	B65-F5338-00-P6	25 - 1	B70-F6290-00	26 - 9		31 - 63	BBP-F842M-01	30 - 21	1VP-H3318-00	33 - 24
2DP-F4491-00	21 - 9	B65-F5338-00-P8	25 - 1	BBP-F6301-01	26 - 10	BBP-F8351-01	30 - 48		31 - 21	B63-H331E-01	33 - 6
B65-F4494-10	30 - 30	5LW-F533A-00	25 - 13	BBP-F6351-00	26 - 16		31 - 48	BBP-F846K-01	30 - 37	B63-H3320-00	33 - 2
	31 - 30	B65-F5351-00	25 - 11	BBP-F637G-00	26 - 17	BBP-F8356-00	14 - 20		31 - 37	55D-H3323-00	33 - 11
4YY-F4610-00	21 - 11	BBP-F5355-00	25 - 12	BBP-F7111-00	29 - 1	BBP-F8356-10	14 - 20	B6H-H1410-00	32 - 2	55D-H3328-00	33 - 12
4YY-F4612-00	21 - 12	2BM-F5802-00	24 - 4	B6H-F7112-00	29 - 2	B65-F8357-10	30 - 28	B6H-H1450-00	32 - 1		33 - 20
BBP-F4618-00	30 - 5	5YP-F5803-50	24 - 5	44D-F7114-00	14 - 16		31 - 28	BK6-H1847-00	40 - 12	55D-H332M-00	33 - 19
	31 - 5	B63-F5805-00	24 - 9	4YY-F7114-00	29 - 11	B65-F8358-10	14 - 26	2DP-H1861-00	40 - 14	BG3-H3330-00	33 - 8
B65-F465E-00	15 - 20	1WD-F5807-00	28 - 2	54P-F7114-00	29 - 4	BBP-F835U-00-P5	31 - 54	2PH-H1940-11	38 - 22	55D-H3333-00	33 - 14

NUMERICAL INDEX

PART NO.	REF. NO.	PART NO.	REF. NO.	PART NO.	REF. NO.	PART NO.	REF. NO.	PART NO.	REF. NO.	PART NO.	REF. NO.
55D-H3333-00	33 - 22	BDL-H594A-01	40 - 1	90119-06044	29 - 14	90183-05807	16 - 6	90201-16819	12 - 26	90464-10802	26 - 13
55D-H333A-00	33 - 10	BDL-H594A-11	40 - 1		29 - 24		16 - 9	90202-26142	19 - 8	90464-13249	38 - 14
BG3-H333E-00	33 - 13	B63-H5970-01	40 - 26	90119-06096	15 - 17		16 - 12	90206-14093	25 - 14		38 - 18
BG3-H3340-00	33 - 16	BK6-H6110-10	40 - 11	90119-068D7	21 - 2		16 - 25	90249-12008	26 - 20		39 - 15
55D-H334A-00	33 - 18	BX9-H6260-04	39 - 26	90149-05030	23 - 6		17 - 3	90269-06812	16 - 26		39 - 19
BG3-H334E-00	33 - 21	B2T-H6261-03	39 - 27	90149-05801	1 - 10		17 - 6		17 - 26	90464-14803	40 - 28
55D-H3358-00	33 - 15	B65-H7229-01	38 - 16	90149-05804	30 - 29		17 - 9	90269-06816	15 - 8	90464-14809	40 - 5
	33 - 23		39 - 17		31 - 29		17 - 12		16 - 16	90464-14810	40 - 29
1WD-H3371-00	40 - 24	BBR-H816G-00	40 - 10	90149-08804	18 - 15		17 - 25		16 - 20	90464-16006	26 - 14
B3F-H3383-00	39 - 29	4C9-W0048-00	24 - 8		18 - 20		22 - 13		17 - 16		36 - 9
BBP-H3500-30	34 - 1	B65-WE662-00	12 - 8		18 - 22		22 - 18		17 - 20	90464-25009	40 - 7
BBP-H3500-40	34 - 1	BBP-WE763-00	12 - 2	90149-10805	24 - 14		26 - 2		26 - 24	90464-36800	37 - 3
BBP-H3559-00-P8	26 - 33	90101-06046	25 - 15	90150-05806	26 - 31		26 - 23		29 - 32	90464-50800	38 - 19
BBP-H3559-00-PB	26 - 33	90105-068C7	40 - 8	90160-05012	30 - 10		26 - 26		29 - 36		39 - 20
BBP-H3559-00-PC	26 - 33	90105-068D4	40 - 22		31 - 10		29 - 18		30 - 43		40 - 30
BBP-H3559-00-PD	26 - 33	90105-088E3	14 - 18	90160-05814	16 - 2		29 - 28		31 - 43		40 - 32
52B-H3591-00	40 - 15	90105-088H0	18 - 15		16 - 5		29 - 33		38 - 6	90464-65801	38 - 20
1LB-H3912-00	37 - 7		18 - 20		16 - 8		29 - 37		39 - 7		39 - 21
2PV-H3922-00	27 - 9		18 - 22		16 - 11		30 - 8	90280-03017	2 - 5	90464-70800	38 - 15
	28 - 8	90105-10283	14 - 14		16 - 15		30 - 11	90340-12813	1 - 3		39 - 16
1LB-H3935-00	37 - 8	90105-108B0	26 - 3		16 - 19		30 - 15	90340-12816	10 - 10	90467-08003	16 - 40
40D-H3962-00	37 - 10	90109-06172	15 - 16		16 - 28		30 - 24	90380-10800	12 - 31		17 - 40
1LB-H3967-00	37 - 9	90109-06577	27 - 10		17 - 2		30 - 42	90387-068N8	41 - 3	90467-10008	10 - 31
40D-H396X-00	37 - 11		28 - 9		17 - 5		30 - 55	90387-08821	14 - 17	90467-11106	11 - 7
B6H-H3972-00	37 - 1	90109-06798	37 - 12		17 - 8		30 - 57	90387-08823	6 - 11	90467-11825	8 - 36
B3F-H3973-01	37 - 4	90109-068A4	15 - 5		17 - 11		31 - 8	90387-08840	22 - 27		10 - 32
BBP-H3975-01	37 - 4	90109-068B3	30 - 7		17 - 15		31 - 11		22 - 30	90467-12052	8 - 37
2DP-H3980-01	27 - 12		31 - 7		17 - 19		31 - 15	90387-10277	23 - 9	90467-12809	8 - 29
	28 - 13	90109-068B5	15 - 4		17 - 28		31 - 24	90387-10848	23 - 2	90467-19803	6 - 15
1PB-H4127-00	33 - 5		16 - 32		30 - 47		31 - 42	90387-10857	14 - 10		6 - 16
BBN-H4300-01	35 - 1		16 - 35		31 - 47		31 - 55	90387-17807	18 - 5	90467-20806	6 - 14
1WD-H4547-01	36 - 4		17 - 32	90170-05803	3 - 10		31 - 57	90387-17808	18 - 8	90480-01559	29 - 13
BBP-H4710-01	36 - 1		17 - 35		3 - 15	90183-06800	15 - 12	90388-10808	10 - 4		29 - 23
1CK-H4726-00	36 - 6		22 - 14	90170-08810	1 - 16		15 - 23	90388-10818	14 - 9	90480-14004	41 - 5
BBN-H4740-01	36 - 3		29 - 15	90170-12802	12 - 29	90183-06815	30 - 49	90401-10812	27 - 16	90480-14808	16 - 36
2ND-H4744-00	36 - 5		29 - 25	90179-05802	26 - 32		30 - 52		28 - 16		17 - 36
2FC-H5111-00	18 - 13		35 - 4	90179-06835	26 - 21		31 - 49		28 - 19	90480-14816	41 - 2
	18 - 18	90109-068B9	29 - 6	90179-12004	12 - 28		31 - 52	90430-06803	1 - 5	90480-14833	6 - 12
55D-H5130-00	40 - 31	90109-08232	24 - 2		32 - 5	90183-06818	15 - 3		1 - 28	90501-12743	29 - 44
B65-H5546-00	39 - 28	90110-06846	8 - 19	90179-25810	19 - 7	90185-10011	26 - 4		5 - 9		29 - 52
BBP-H5546-00	38 - 26	90110-06880	32 - 3	90183-04039	15 - 14	90185-16800	25 - 16	90430-08804	10 - 13	90501-16004	7 - 5
	39 - 32	90110-06888	38 - 21	90183-050A7	30 - 36	90201-08859	1 - 17	90430-10806	40 - 16	90501-16804	26 - 19
B65-H5752-00	21 - 7		39 - 22		31 - 36	90201-10118	27 - 17	90430-12803	10 - 11	90506-12001	25 - 9
B63-H5801-00	8 - 17	90110-06894	1 - 24	90183-05801	26 - 28		28 - 17	90445-05004	36 - 8	90506-15001	25 - 10
B6Y-H5810-04	38 - 25	90111-06162	38 - 3	90183-05807	14 - 32		28 - 20	90450-43805	8 - 34	90506-20818	29 - 10
	39 - 31		39 - 4		15 - 13	90201-12688	32 - 4	90464-07805	16 - 43	90506-40804	29 - 5
BBR-H592A-10	40 - 9	90111-06860	9 - 3		15 - 18	90201-15828	12 - 33		17 - 43	90520-01801	26 - 29
B3F-H5930-08	41 - 1	90119-06044	15 - 11		16 - 3	90201-15849	12 - 27	90464-07807	26 - 15	90520-01806	30 - 3

NUMERICAL INDEX

PART NO.	REF. NO.	PART NO.	REF. NO.	PART NO.	REF. NO.	PART NO.	REF. NO.	PART NO.	REF. NO.	PART NO.	REF. NO.
90520-01806	31 - 3	93102-20815	13 - 11	95702-06500	22 - 7	95E32-08035	10 - 28	97707-50016	31 - 45		
	35 - 2	93102-22829	10 - 9	95702-08500	9 - 5	95E32-08045	10 - 27		34 - 2		
90520-02829	14 - 4	93102-24802	10 - 19	95702-10500	25 - 6	95E37-06012	21 - 15		35 - 3		
	16 - 34	93102-32807	13 - 8	95817-06020	41 - 4		40 - 18		36 - 2		
	17 - 34	93106-20816	23 - 3	95D02-06012	16 - 42		40 - 20		38 - 5		
90520-03020	15 - 7	93106-28801	18 - 3		17 - 42	97602-04312	27 - 14		39 - 6		
90520-03802	29 - 19	93210-07802	25 - 7		19 - 13		28 - 14		39 - 30		
	29 - 29	93210-09806	4 - 2		19 - 15		37 - 15	97707-50025	8 - 26		
90520-04806	22 - 9	93210-14816	10 - 17		40 - 25	97702-40612	33 - 4	98502-05020	7 - 2		
90520-04809	29 - 20	93210-19809	5 - 14	95D32-06010	14 - 27	97702-50012	16 - 14	98502-06012	8 - 14		
90520-05815	14 - 33	93210-29800	7 - 6	95D32-06016	6 - 28		16 - 18	98507-05025	37 - 2		
90520-06821	30 - 18	93210-39803	5 - 11		40 - 13		17 - 14		37 - 5		
	31 - 18	93211-28800	10 - 20		40 - 27		17 - 18	98907-04014	36 - 7		
90520-06822	30 - 4	93300-608X0	5 - 7	95D32-06020	40 - 2		29 - 17	98907-05012	30 - 35		
	31 - 4	93306-001X3	4 - 3	95D32-06025	22 - 26		29 - 27		31 - 35		
90520-08803	14 - 5	93306-252XT	12 - 30		22 - 29		29 - 34	99002-09600	29 - 3		
90520-10834	14 - 34	93306-254Y2	13 - 10	95D32-06030	6 - 13		29 - 38	99009-08400	5 - 6		
90520-10850	16 - 30	93306-255X5	13 - 7		8 - 11		30 - 17	99009-25400	13 - 5		
	17 - 30	93306-300YF	23 - 4		8 - 32		30 - 22	99009-35700	12 - 32		
	29 - 30	93306-302YP	13 - 2	95D32-08020	29 - 48		30 - 41	99234-00100	30 - 63		
	30 - 32	93306-303YT	13 - 6		29 - 56		30 - 50	99480-03012	10 - 2		
	31 - 32	93306-303YV	18 - 4	95D32-08035	10 - 12		30 - 53	99530-08012	1 - 12		
90520-10851	11 - 18	93306-351Y5	13 - 12	95D32-10045	9 - 6		31 - 17		5 - 10		
90520-10853	6 - 22	93310-528YK	2 - 3	95D32-10060	9 - 7		31 - 22	99530-10114	1 - 22		
90520-10855	6 - 23	93450-16115	2 - 8		18 - 9		31 - 41		1 - 23		
	11 - 23	93501-04830	29 - 45	95D37-06016	18 - 7		31 - 50		10 - 6		
90520-10856	11 - 16		29 - 53	95E32-06010	1 - 4		31 - 53		10 - 21		
90520-15816	8 - 33	93900-00824	23 - 8		1 - 27		33 - 7		10 - 26		
90520-40800	11 - 21		25 - 3		22 - 22	97707-50016	14 - 30		11 - 3		
90520-40801	11 - 17	94111-14804	23 - 7	95E32-06012	14 - 36		15 - 9				
90520-50801	11 - 19	94114-14801	25 - 2		26 - 18		16 - 24				
91312-05010	26 - 12	94568-F9096	4 - 7		30 - 27		16 - 31				
91312-05016	3 - 17	94700-00415	1 - 20		31 - 27		17 - 24				
91317-06025	27 - 13	95022-06020	15 - 22		38 - 13		17 - 31				
	28 - 12	95027-06020	5 - 8		39 - 14		22 - 15				
91332-05010	21 - 10	95302-08600	18 - 16	95E32-06014	3 - 19		22 - 19				
	37 - 17		18 - 21	95E32-06020	4 - 13		26 - 27				
91332-06025	8 - 3	95602-06100	27 - 11		6 - 3		29 - 16				
91337-06020	37 - 18		28 - 10		6 - 26		29 - 26				
91401-25015	29 - 47		37 - 13		10 - 22		30 - 13				
	29 - 55	95602-08200	14 - 19	95E32-06025	5 - 12		30 - 20				
91701-08035	29 - 46	95602-10200	14 - 13	95E32-06030	1 - 11		30 - 23				
	29 - 54		14 - 15		10 - 23		30 - 38				
92012-05016	26 - 11		23 - 11	95E32-06035	11 - 4		30 - 45				
92012-06010	14 - 23		29 - 9	95E32-06045	5 - 13		31 - 13				
	14 - 25	95612-08618	1 - 6	95E32-06050	6 - 24		31 - 20				
92012-08012	14 - 21	95702-05500	18 - 14	95E32-06060	10 - 7		31 - 23				
93102-08800	1 - 14		18 - 19	95E32-06110	10 - 8		31 - 38				