



PARTS CATALOGUE

GDR155-A (BG38) MALAYSIA
GDR155-A (BG39) MALAYSIA

GDR155-A
PARTS CATALOGUE
©2019 by Yamaha Motor Co., Ltd.
1st edition, June 2019
All rights reserved.
Any reprinting or unauthorized use
without the written permission of
Yamaha Motor Co., Ltd.
is expressly prohibited.
Printed in Japan.

FOREWORD

This Parts Catalogue is related to the parts for the model(s) on the cover page. When you are ordering replacement parts, please refer to this Parts Catalogue and quote both part numbers and part names correctly.

1. Modifications or additions which have been made after the issue of the Parts Catalogue will be announced in the Parts News.
It is advisable that you make the necessary corrections to the Parts Catalogue according to the Parts News.

2. Abbreviations

The following abbreviations are used in this Parts Catalogue.

“UR” Use specified parts number.

“UN” Use as many as needed.

“AP” Alternate Parts

“LM” Locally Made (Parts need to be ordered locally)

“F#” Frame No. (Applicable machine No.)

“O/S” Over Size

3. The number of components for assembly

- Parts, which are to be supplied in an assembly, are listed with a dot (.) in front of the part name as shown below.
- The numeral appearing to the right of each component part indicates the quantity of parts for each assembly unit.

PART NO.	DESCRIPTION	Q'TY	REMARKS
2F5-83310-60	FRONT FLASHER LIGHT ASSY	2	
115-83311-60	.BULB (6V-18W)	1	

4. Applicable colours of graphics are represented in the “REMARKS” as shown below.

PART NO.	DESCRIPTION	Q'TY	REMARKS
2N4-24110-00-X5	FUEL TANK COMP.	2	MXR
3J1-24240-10	.GRAPHIC, FUEL TANK	1	FOR MXR

5. Note that the illustrations for reference in finding parts numbers are not to be used for assembling. When assembling, please use the applicable service manual.

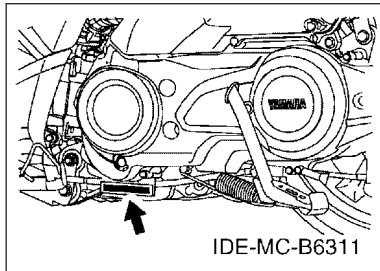
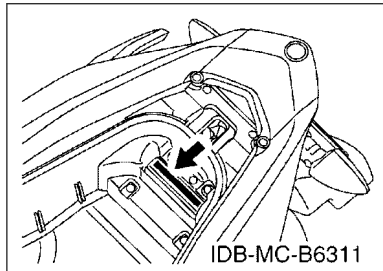
6. The asterisk (*) before a reference number indicates modified items after the first edition.

FOREWORD

7. Applicable Serial No.

Frame Serial No.

Engine Serial No.



8. Applicable Colour Code (The (*) mark shows Model colour.)

Abbreviation	Colour Name	Colour Code
DPBM15	DEEP PURPLISH BLUE METALLIC 15	1329
DPBMC(*)	DEEP PURPLISH BLUE METALLIC C	0564
LNOM3	LIGHT GRAYISH ORANGE ME 3	1743
MBL2	MAT BLACK 2	0582
MBM3(*)	MAT BLUE METALLIC 3	0960
MNM3(*)	MAT GRAY METALLIC 3	1278
MVBS1	MAT VIVID BLUE SOLID 1	1745
RM7(*)	RED METALLIC 7	1218
RYC1	REDDISH YELLOW COCKTAIL 1	0251
SMX	BLACK METALLIC X	0903
YB	YAMAHA BLACK	0033

9. Applicable Starting Serial No.

Frame Serial No.

Serial No.	Name Of Q'ty Column	Model Code

Engine Serial No.

Serial No.	Name Of Q'ty Column	Model Code

CONTENTS

ENGINE

CYLINDER.....	1
CRANKSHAFT & PISTON.....	3
VALVE.....	4
CAMSHAFT & CHAIN.....	5
WATER PUMP.....	6
RADIATOR & HOSE.....	7
OIL PUMP.....	9
INTAKE.....	10
EXHAUST.....	12
CRANKCASE.....	13
CRANKCASE COVER 1.....	15
CLUTCH.....	16
TRANSMISSION.....	18

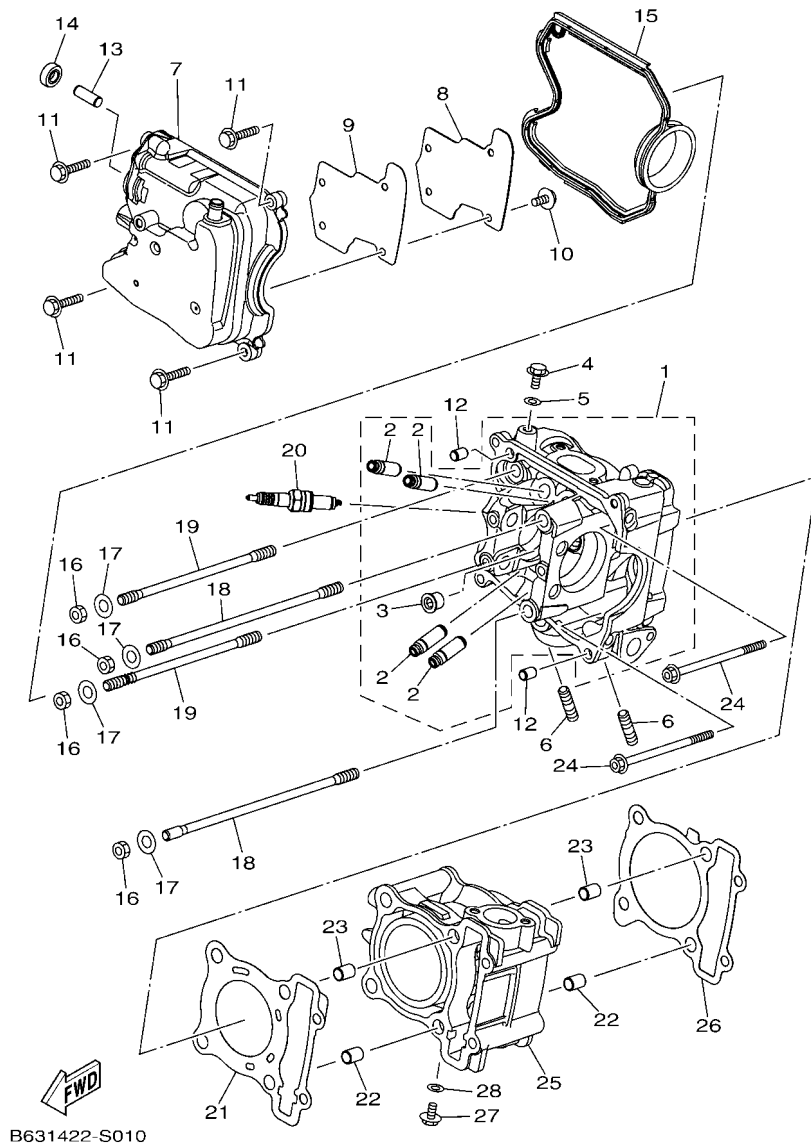
CHASSIS

FRAME.....	19
FENDER.....	21
SIDE COVER.....	22
SIDE COVER 2.....	25
REAR ARM & SUSPENSION.....	27
STEERING.....	28
FUEL TANK.....	30
SEAT.....	31
FRONT WHEEL.....	33
FRONT BRAKE CALIPER.....	34
REAR WHEEL.....	35
STEERING HANDLE & CABLE.....	36
FRONT MASTER CYLINDER.....	38
STAND & FOOTREST.....	39
LEG SHIELD.....	41
LEG SHIELD 2.....	44
GENERATOR.....	47
FLASHER LIGHT.....	48
METER.....	49
HEADLIGHT.....	50
TAILLIGHT.....	51
HANDLE SWITCH & LEVER.....	52
ELECTRICAL 1.....	53
ELECTRICAL 2.....	55

ELECTRICAL 3.....	56
-------------------	----

INDEX

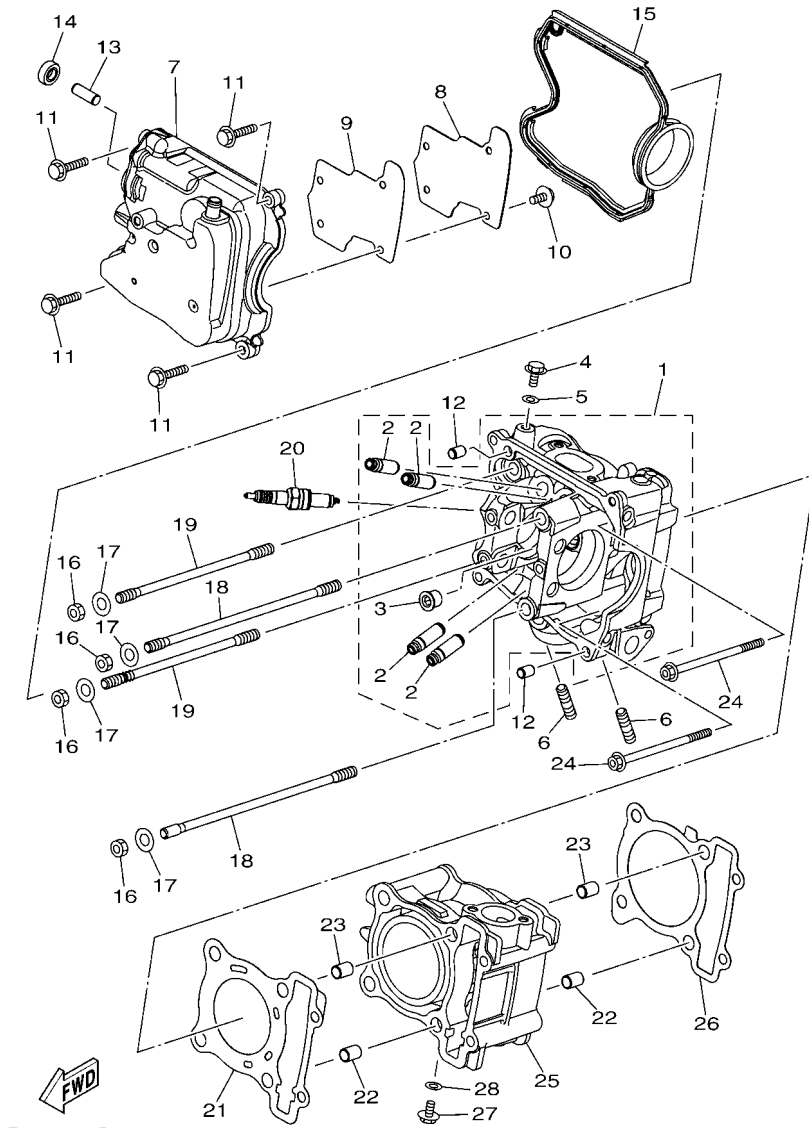
NUMERICAL INDEX.....	57
----------------------	----



B631422-S010

FIG. 1 CYLINDER

REF. NO.	PART NO.	DESCRIPTION	EG38	EG39	REMARKS
1	B65-E1102-00	CYLINDER HEAD ASSY	1	1	
2	2DP-E1133-10	.GUIDE, VALVE 1	4	4	
3	90340-12813	.PLUG, STRAIGHT SCREW	1	1	
4	95E32-06010	BOLT, FLANGE DEEP RECESS	1	1	
5	90430-06803	GASKET	1	1	
6	95612-08618	BOLT, STUD	2	2	
7	2DP-E1191-00	COVER, CYLINDER HEAD 1	1	1	
8	2DP-E1165-00	PLATE, BREATHER	1	1	
9	2DP-E1169-00	GASKET, BREATHER COVER	1	1	
10	90149-05801	SCREW	4	4	
11	95E32-06030	BOLT, FLANGE DEEP RECESS	4	4	
12	99530-08012	PIN, DOWEL	2	2	
13	2DP-E132G-00	ROD 1	1	1	
14	93102-08800	OIL SEAL	1	1	
15	B3F-E1193-00	GASKET, HEAD COVER 1	1	1	
16	95302-08600	NUT, HEXAGON	4	4	
17	90201-08859	WASHER, PLATE	4	4	
18	BB8-E1391-00	BOLT, STUD 1	2	2	
19	BB8-E1392-00	BOLT, STUD 2	2	2	
20	94700-00415	PLUG, SPARK (NGK CPR8EA)	1	1	UR
	94700-00870	PLUG, SPARK (DENSO U24EPR9)	1	1	UR
21	2DP-E1181-00	GASKET, CYLINDER HEAD 1	1	1	
22	99530-10114	PIN, DOWEL	2	2	
23	99530-10114	PIN, DOWEL	2	2	
24	90110-06378	BOLT, HEXAGON SOCKET HEAD	2	2	
25	2DP-E1311-10	CYLINDER 1	1	1	
26	B65-E1351-10	GASKET, CYLINDER	1	1	

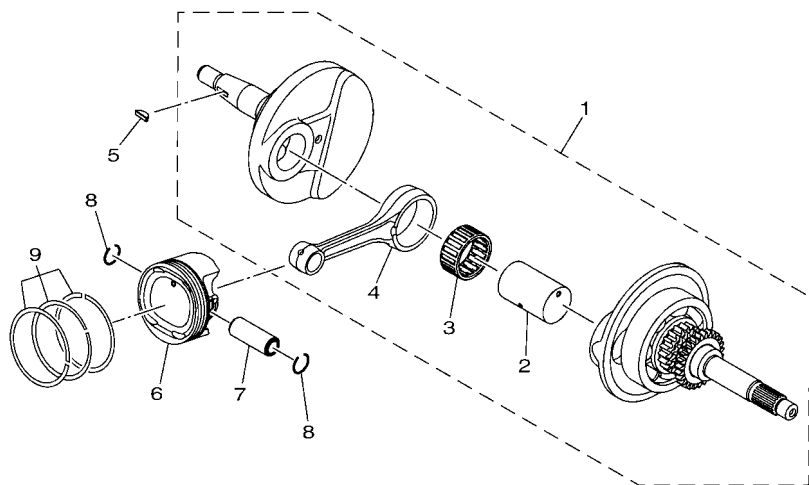


B631422-S010

FIG. 1 CYLINDER

REF. NO.	PART NO.	DESCRIPTION	EG38	EG39	REMARKS
27	95E32-06010	BOLT, FLANGE DEEP RECESS	1	1	
28	90430-06803	GASKET	1	1	

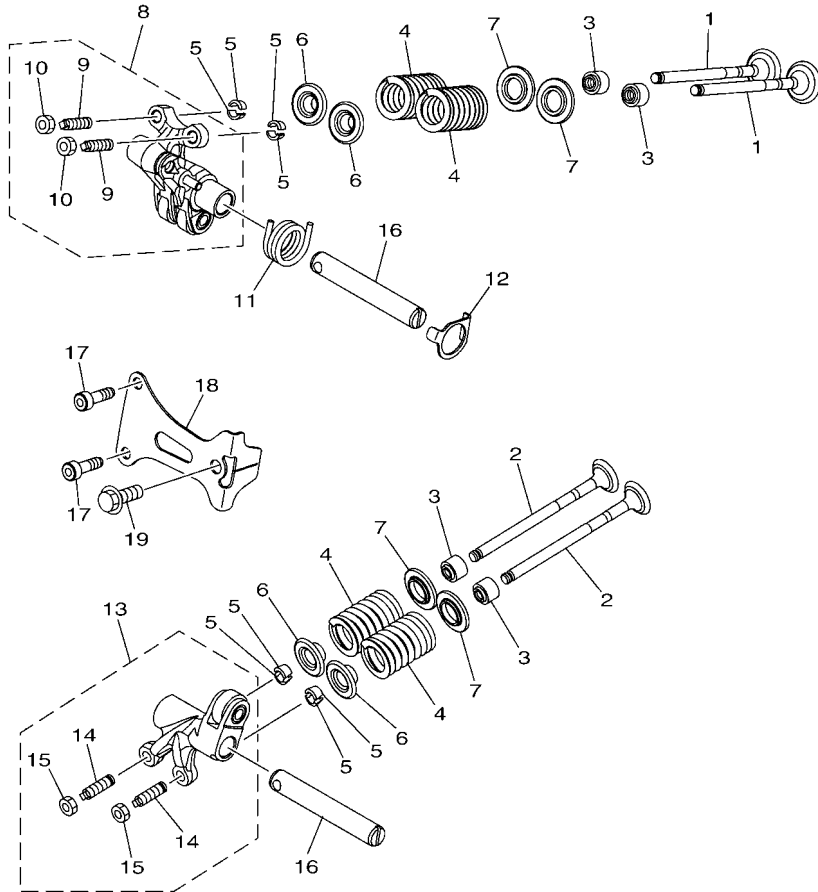
FIG. 2 CRANKSHAFT & PISTON



REF. NO.	PART NO.	DESCRIPTION			REMARKS
			EG38	EG39	
1	B65-E1400-10	CRANKSHAFT ASSY	1		UR
	B65-E1400-20	CRANKSHAFT ASSY	1	1	UR
2	B63-E1681-00	.PIN, CRANK 1	1	1	
3	93310-528YW	.BEARING	1	1	
4	2DP-E1651-00	.ROD, CONNECTING	1	1	
5	90280-03017	KEY, WOODRUFF	1	1	
6	2DP-E1631-00	PISTON (STD)	1	1	
7	2DP-E1633-00	PIN, PISTON	1	1	
8	93450-16115	CIRCLIP	2	2	
9	B63-E1603-00	PISTON RING SET (STD)	1	1	



B651460-S020

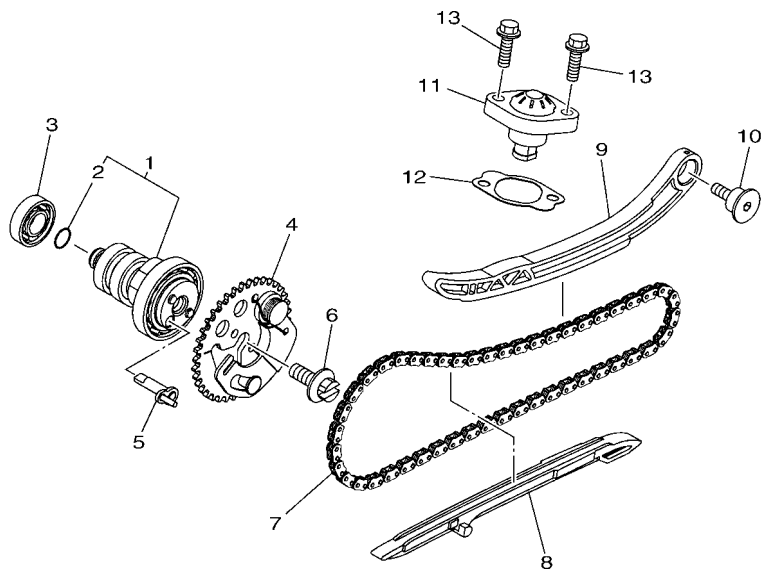


B631422-S030

FIG. 3 VALVE

REF. NO.	PART NO.	DESCRIPTION	EG38	EG39	REMARKS
1	2DP-E2111-00	VALVE, INTAKE	2	2	
2	B3F-E2121-00	VALVE, EXHAUST	2	2	
3	54P-E2119-00	SEAL, VALVE STEM	4	4	
4	B63-E2113-00	SPRING, VALVE INNER	4	4	
5	5TL-E2118-00	LOCK, VALVE SPRING RETAINER	8	8	
6	2DP-E2117-00	RETAINER, VALVE SPRING	4	4	
7	50C-E2126-00	SEAT, VALVE SPRING 2	4	4	
8	2DP-E2150-00	VALVE ROCKER ARM ASSY	1	1	
9	33S-E2159-01	.SCREW, VALVE ADJUSTING	2	2	
10	90170-05803	.NUT	2	2	
11	BB8-E2226-00	SPRING, COIL	1	1	
12	2DP-E2279-00	PLATE	1	1	
13	2DP-E2160-00	VALVE ROCKER ARM ASSY 2	1	1	
14	33S-E2159-01	.SCREW, VALVE ADJUSTING	2	2	
15	90170-05803	.NUT	2	2	
16	45P-E2156-00	SHAFT, ROCKER 2	2	2	
17	91312-05016	BOLT, HEXAGON SOCKET HEAD	2	2	
18	2DP-E111F-00	PLATE	1	1	
19	95E32-06014	BOLT, FLANGE DEEP RECESS	1	1	

FIG. 4 CAMSHAFT & CHAIN

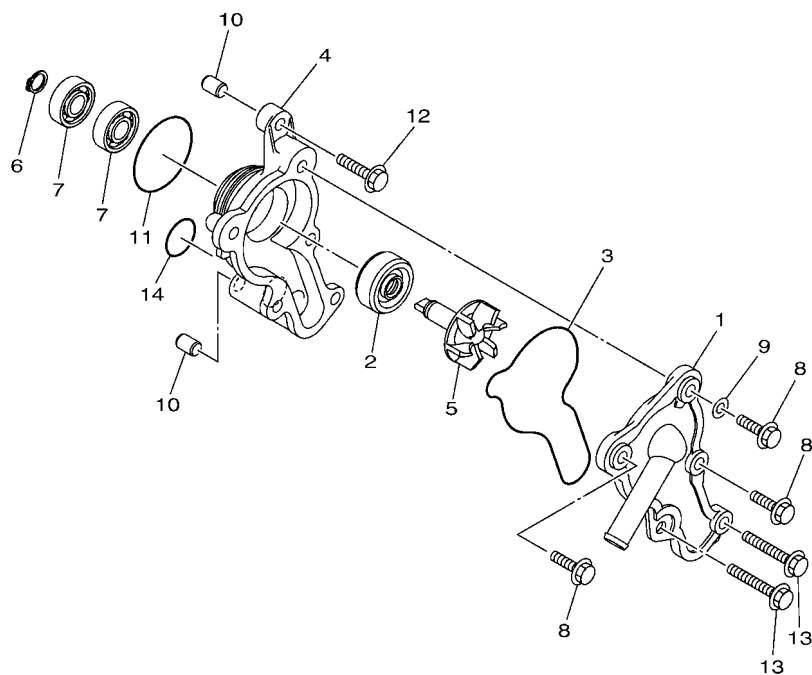


REF. NO.	PART NO.	DESCRIPTION	EG38	EG39	REMARKS
1	B65-E2170-10	CAMSHAFT ASSY 1	1	1	
2	93210-09806	.O-RING	1	1	
3	93306-001X9	BEARING	1	1	
4	B65-E2280-00	DECOMPRESSION ASSY	1	1	
5	B6H-E2288-00	CAM, DECOMPRESSION	1	1	
6	5YP-E2157-00	BOLT	1	1	
7	94568-F9096	CHAIN (DID SCR-0404 SV)	1	1	
8	B65-E2231-00	GUIDE, STOPPER 1	1	1	
9	2DP-E2241-00	GUIDE, STOPPER 2	1	1	
10	1LB-E2228-00	BOLT	1	1	
11	2PV-E2210-00	TENSIONER ASSY, CAM CHAIN	1	1	
12	B65-E2213-10	GASKET, TENSIONER CASE	1	1	
13	95E32-06020	BOLT, FLANGE DEEP RECESS	2	2	



B3F1460-T040

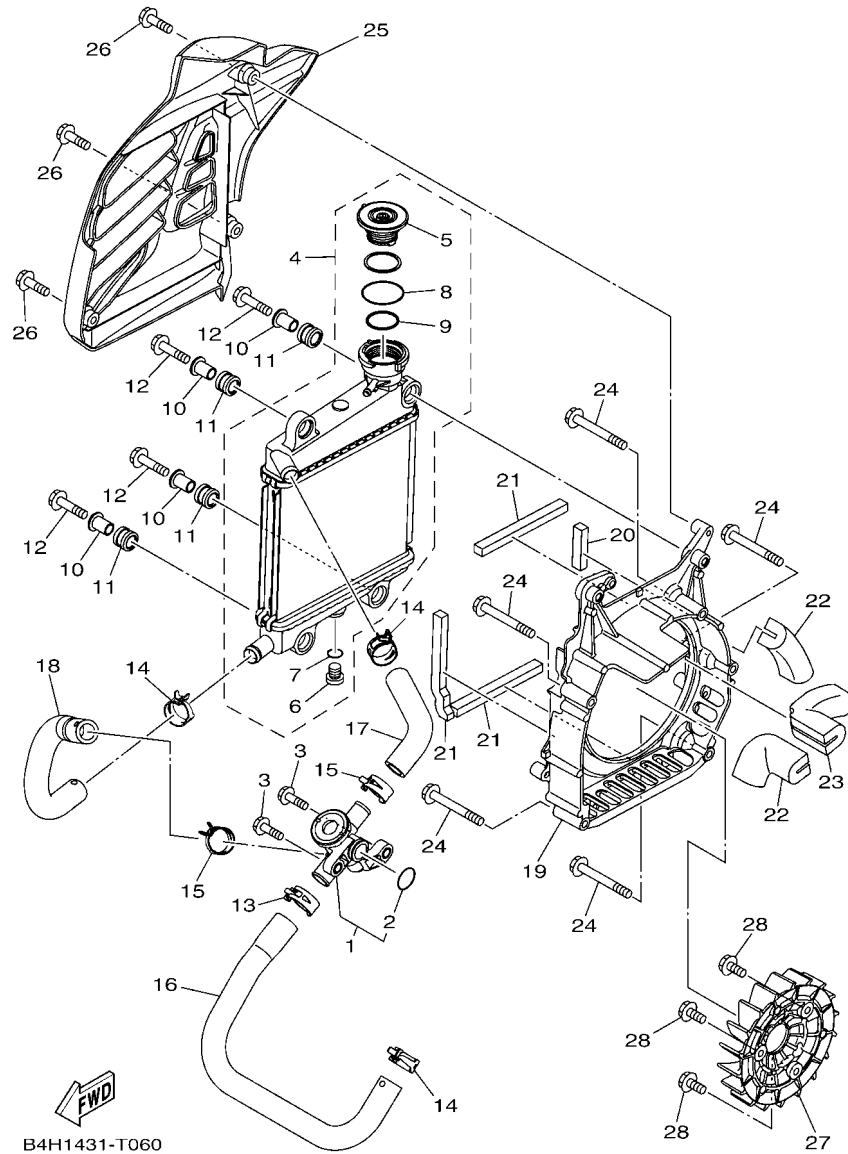
FIG. 5 WATER PUMP



REF. NO.	PART NO.	DESCRIPTION	EG38	EG39	REMARKS
1	B6H-E2422-00	COVER, HOUSING	1	1	
2	B6H-E2223-00	SEAL	1	1	
3	B6H-E2439-00	O-RING	1	1	
4	B6H-E1185-00	COVER, CYLINDER HEAD SIDE 3	1	1	
5	B6H-E2450-00	IMPELLER SHAFT ASSY	1	1	
6	99009-08400	CIRCLIP	1	1	
7	93300-608X0	BEARING	2	2	
8	95027-06020	BOLT, FLANGE	3	3	
9	90430-06803	GASKET	1	1	
10	99530-08012	PIN, DOWEL	2	2	
11	93210-39803	O-RING	1	1	
12	95E32-06025	BOLT, FLANGE DEEP RECESS	1	1	
13	95E32-06045	BOLT, FLANGE DEEP RECESS	2	2	
14	93210-19809	O-RING	1	1	


B6H1460-U050

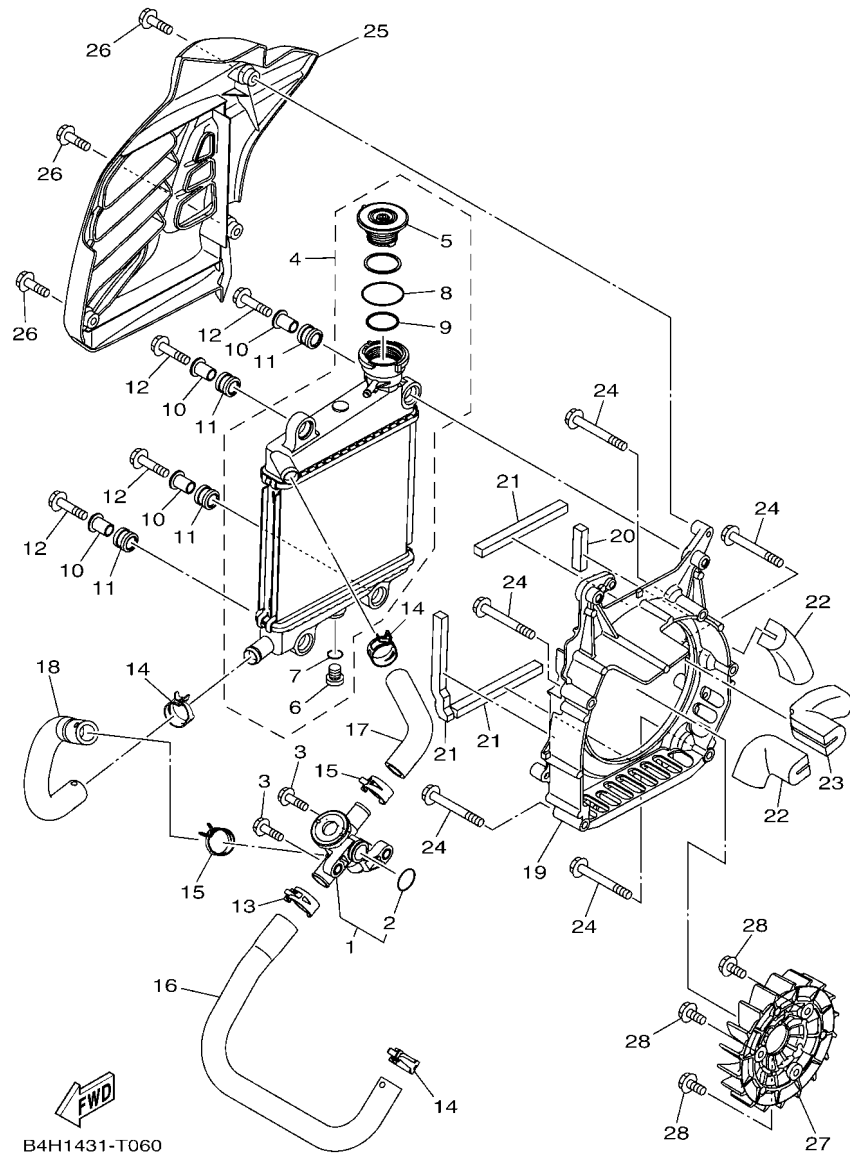
FIG. 6 RADIATOR & HOSE



B4H1431-T060

REF. NO.	PART NO.	DESCRIPTION	EG38	EG39	REMARKS
1	2DP-E2410-00	THERMOSTAT ASSY	1	1	
2	52S-12439-00	.O-RING	1	1	
3	95E32-06020	BOLT, FLANGE DEEP RECESS	2	2	
4	B3F-E240A-00	RADIATOR ASSY	1	1	
5	B65-E2462-00	.CAP, RADIATOR	1	1	
6	5ST-E2615-00	.COCK, DRAIN	1	1	
7	5ST-E2843-00	.O-RING	1	1	
8	B63-E2439-00	.O-RING	1	1	
9	B63-E2843-00	.O-RING	1	1	
10	90387-08823	COLLAR	4	4	
11	90480-14833	GROMMET	4	4	
12	95D32-06030	BOLT, FLANGE DEEP RECESS	4	4	
13	90467-20806	CLIP	1	1	
14	90467-19803	CLIP	3	3	
15	90467-19803	CLIP	2	2	
16	B65-E2481-00	PIPE 1	1	1	
17	B65-E2482-00	PIPE 2	1	1	
18	B65-E2483-00	PIPE 3	1	1	
19	B65-E2621-00	CASE, FAN	1	1	
20	90520-10826	DAMPER, PLATE	1	1	
21	90520-10827	DAMPER, PLATE	3	3	
22	90520-10844	DAMPER, PLATE	2	2	
23	90520-10845	DAMPER, PLATE	1	1	
24	95E32-06045	BOLT, FLANGE DEEP RECESS	5	5	
25	B65-E2467-00	COVER, RADIATOR	1	1	
26	95E32-06020	BOLT, FLANGE DEEP RECESS	3	3	
27	B65-E2611-00	FAN	1	1	

FIG. 6 RADIATOR & HOSE



REF. NO.	PART NO.	DESCRIPTION	EG38	EG39	REMARKS
28	95D32-06016	BOLT, FLANGE DEEP RECESS	3	3	

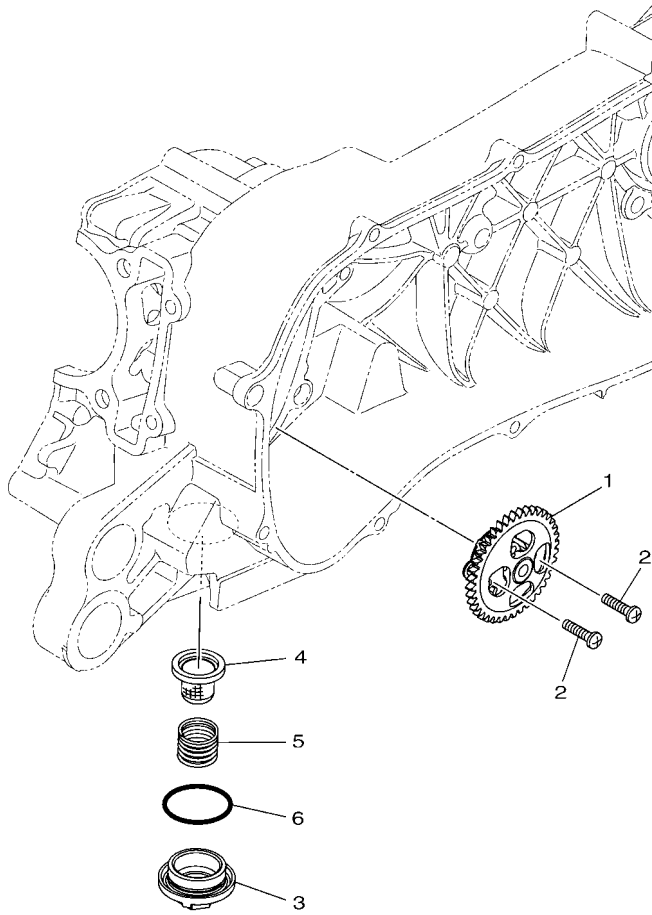
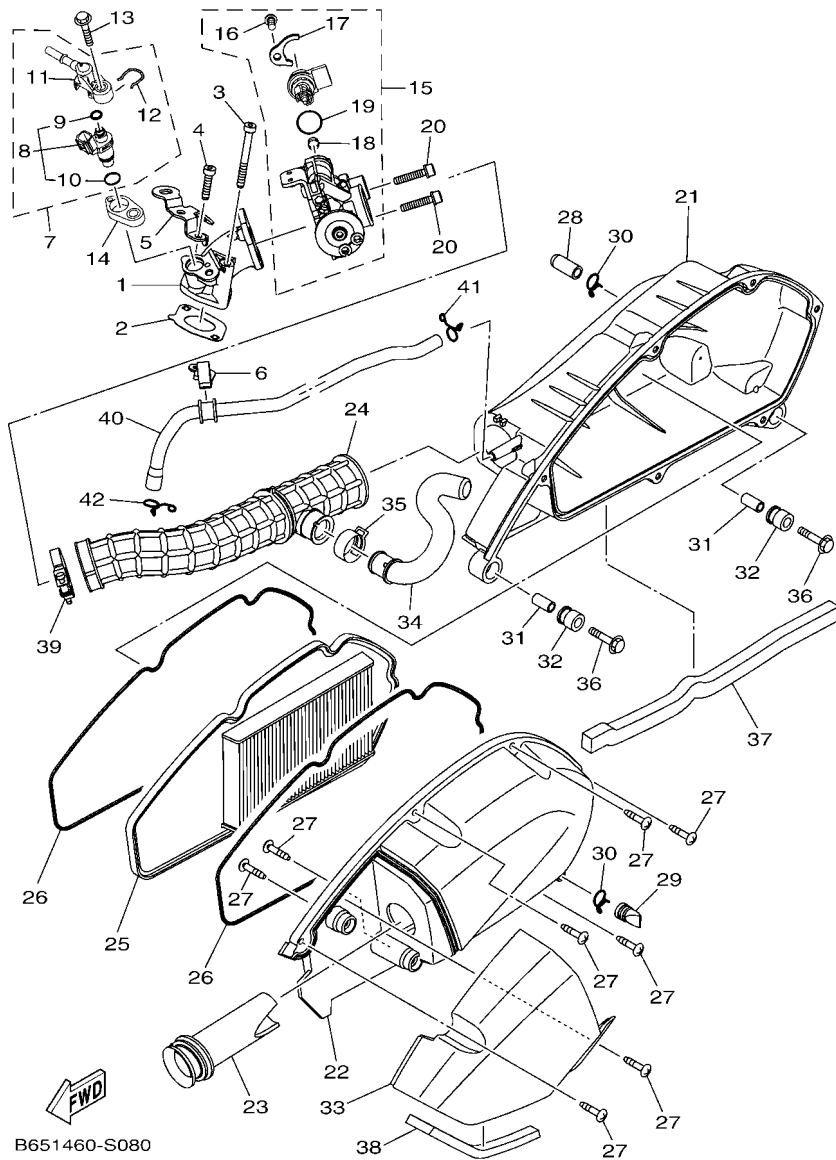


FIG. 7 OIL PUMP

REF. NO.	PART NO.	DESCRIPTION	EG38	EG39			REMARKS
			1	1			
1	B65-E3300-01	OIL PUMP ASSY	1	1			
2	98502-05020	SCREW, PAN HEAD	2	2			
3	54P-E5351-00	PLUG, DRAIN	1	1			
4	54P-E3411-00	STRAINER, OIL	1	1			
5	90501-16004	SPRING, COMPRESSION	1	1			
6	93210-29800	O-RING	1	1			


 B631422-S070



B651460-S080

FIG. 8 INTAKE

REF. NO.	PART NO.	DESCRIPTION	EG38	EG39	REMARKS
1	B65-E3585-00	MANIFOLD	1	1	
2	B65-E4199-10	GASKET	1	1	
3	91312-06055	BOLT, HEXAGON SOCKET HEAD	1	1	
4	91312-06025	BOLT, HEXAGON SOCKET HEAD	1	1	
5	B65-E4146-00	PLATE	1	1	
6	B65-E4346-00	PLATE	1	1	
7	BB8-E3770-10	INJECTOR ASSY	1	1	
8	BB8-E3761-10	.INJECTOR	1	1	
9	54P-E4147-00	.O-RING	1	1	
10	5CA-E4147-00	.O-RING	1	1	
11	54P-E3938-00	.PIPE	1	1	
12	54P-E4137-00	.CLIP	1	1	
13	95D32-06030	BOLT, FLANGE DEEP RECESS	1	1	
14	2DP-E3556-00	GASKET, MANIFOLD	1	1	
15	B65-E3750-00	THROTTLE BODY ASSY	1	1	
16	98502-06012	.SCREW, PAN HEAD	1	1	
17	54P-E4243-00	.PLATE	1	1	
18	54P-E4335-00	.SPRING, PLUNGER	1	1	
19	54P-E416A-00	.O-RING	1	1	
20	90110-06846	BOLT, HEXAGON SOCKET HEAD	2	2	
21	B65-E4411-00	CASE, AIR CLEANER 1	1	1	
22	B65-E4412-00	CAP, CLEANER CASE 1	1	1	
23	B65-E4437-00	DUCT	1	1	
24	B65-E4453-00	JOINT, AIR CLEANER 1	1	1	
25	B65-E4451-00	ELEMENT, AIR CLEANER	1	1	
26	B65-E4452-01	SEAL	2	2	
27	97707-50025	SCREW, TAPPING	8	8	

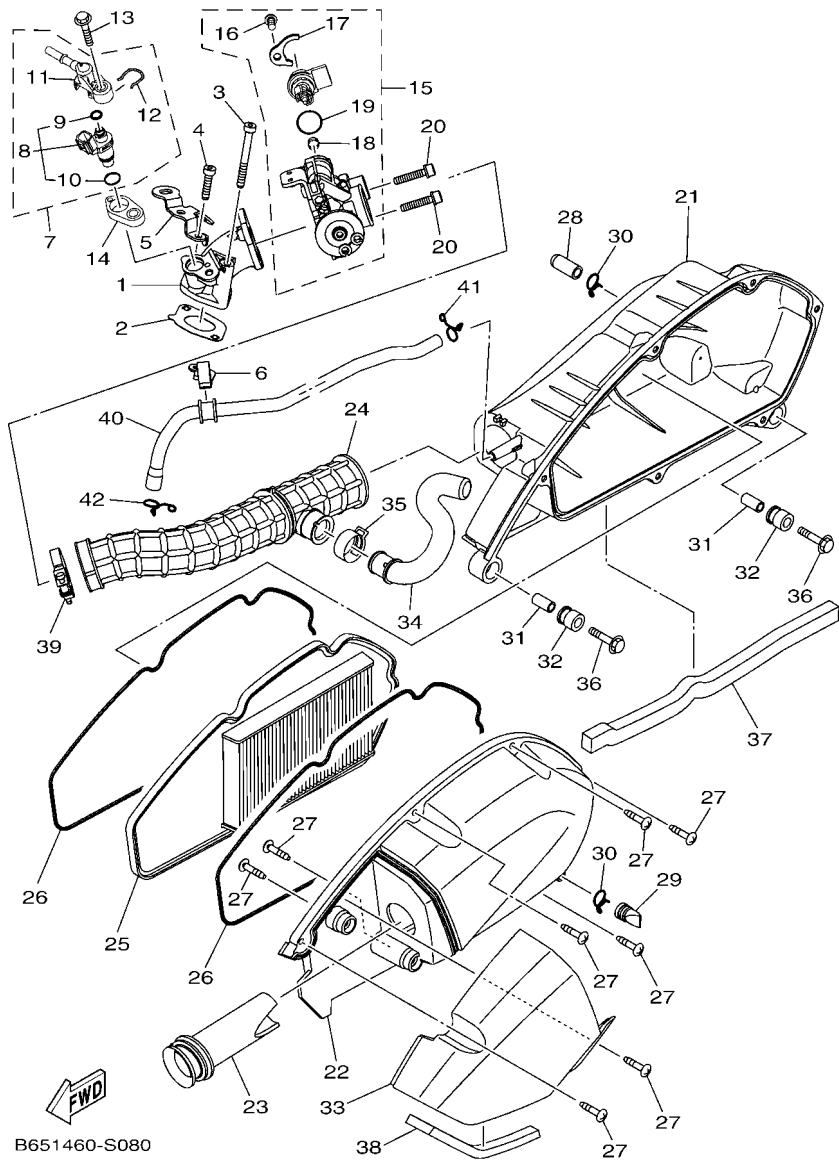
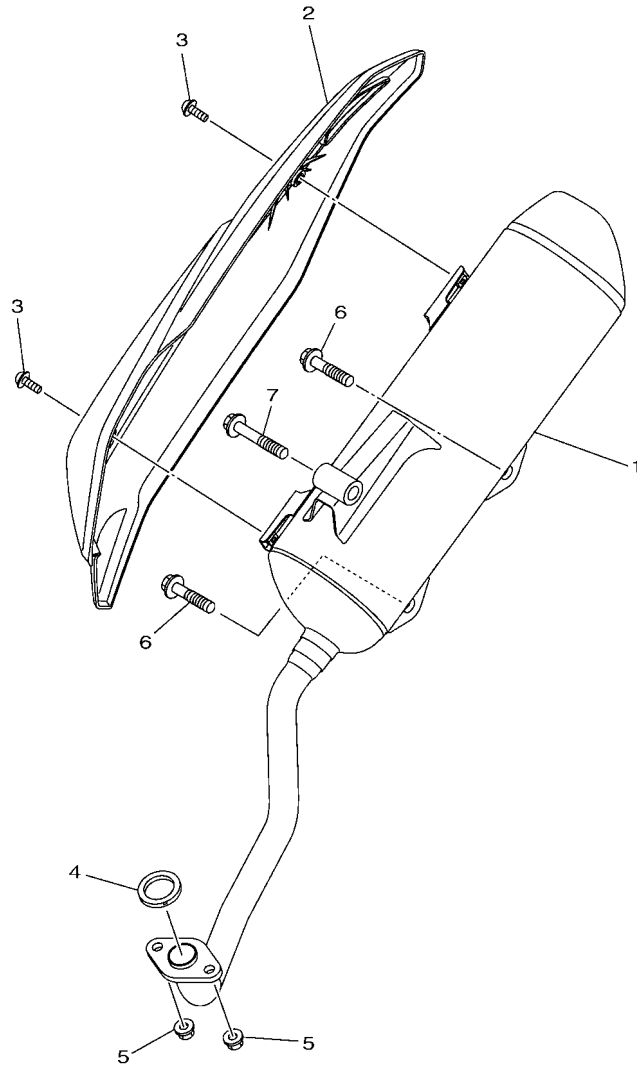


FIG. 8 INTAKE

REF. NO.	PART NO.	DESCRIPTION	EG38	EG39	REMARKS
28	52B-E443E-00	PIPE, DRAIN	1	1	
29	5TP-E443G-10	PIPE, DRAIN 2	1	1	
30	90467-12809	CLIP	2	2	
31	B74-E4449-00	COLLAR	2	2	
32	B74-E4435-00	GROMMET	2	2	
33	B65-E4417-00	COVER 1	1	1	
34	B65-E4419-00	PIPE	1	1	
35	90467-22802	CLIP	1	1	
36	95D32-06030	BOLT, FLANGE DEEP RECESS	2	2	
37	90520-15811	DAMPER, PLATE	1	1	
38	90520-10832	DAMPER, PLATE	1	1	
39	90450-43805	HOSE CLAMP ASSY	1	1	
40	B65-E1166-00	PIPE, BREATHER 1	1	1	
41	90467-11825	CLIP	1	1	
42	90467-12052	CLIP	1	1	

FIG. 9 EXHAUST



B631422-S090

REF. NO.	PART NO.	DESCRIPTION	EG38	EG39			REMARKS
1	B65-E4711-00	MUFFLER 1	1	1			
2	B65-E4718-00	PROTECTOR, MUFFLER 1	1	1			
3	90111-06807	BOLT,HEX. SOCKET BUTTON	2	2			
4	BK7-E4613-00	GASKET, EXHAUST PIPE	1	1			
5	95702-08500	NUT, FLANGE	2	2			
6	95D32-10045	BOLT, FLANGE DEEP RECESS	2	2			
7	95D32-10060	BOLT, FLANGE DEEP RECESS	1	1			

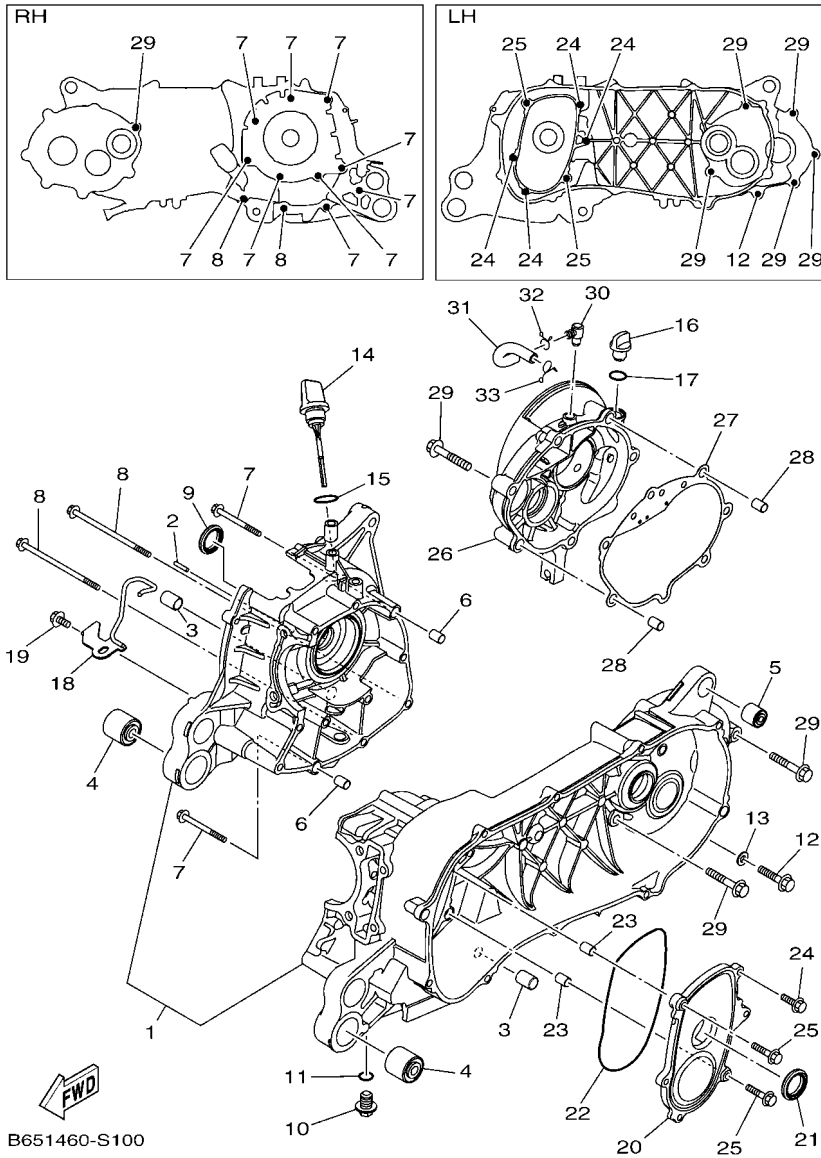


FIG. 10 CRANKCASE

REF. NO.	PART NO.	DESCRIPTION	EG38	EG39	REMARKS
1	B65-E5150-00	CRANKCASE ASSY	1	1	
2	99480-03012	PIN	1	1	
3	54P-F7121-00	BUSH	2	2	
4	90388-10808	DAMPER	2	2	
5	5MX-F2216-00	BUSH, REAR SHOCK ABSORBER	1	1	
6	99530-10114	PIN, DOWEL	2	2	
7	95E32-06060	BOLT, FLANGE DEEP RECESS	9	9	
8	95E32-06110	BOLT, FLANGE DEEP RECESS	2	2	
9	93102-22829	OIL SEAL	1	1	
10	90340-12816	PLUG, STRAIGHT SCREW	1	1	
11	90430-12803	GASKET	1	1	
12	95D32-08035	BOLT, FLANGE DEEP RECESS	1	1	
13	90430-08804	GASKET	1	1	
14	2DP-E5362-00	PLUG, OIL LEVEL	1	1	
15	5LW-E3769-00	O-RING	1	1	
16	5LW-E5363-00	PLUG, OIL	1	1	
17	93210-14816	O-RING	1	1	
18	B65-E5199-00	BRACKET	1	1	
19	95E32-06012	BOLT, FLANGE DEEP RECESS	1	1	
20	B65-E5423-00	COVER 2	1	1	
21	93102-24802	OIL SEAL	1	1	
22	93211-28800	O-RING	1	1	
23	99530-10114	PIN, DOWEL	2	2	
24	95E32-06020	BOLT, FLANGE DEEP RECESS	4	4	
25	95E32-06030	BOLT, FLANGE DEEP RECESS	2	2	
26	B65-E5421-00	COVER, CRANKCASE 2	1	1	
27	B65-E5461-10	GASKET, CRANKCASE COVER 2	1	1	

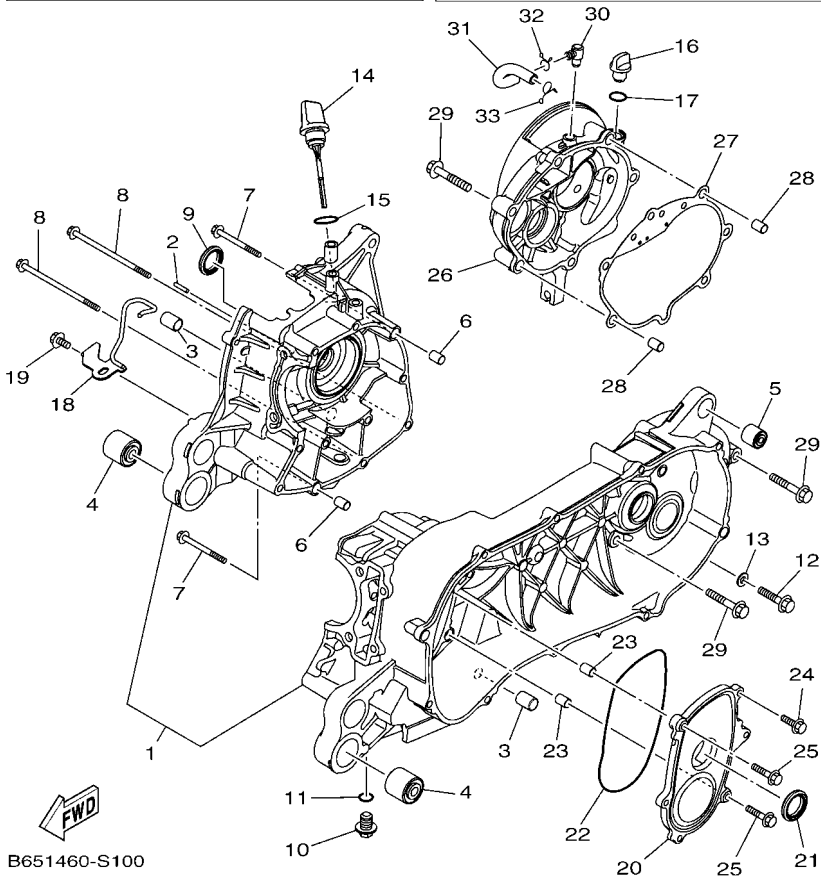
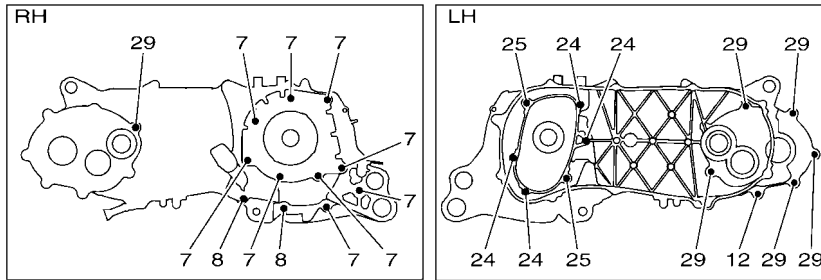
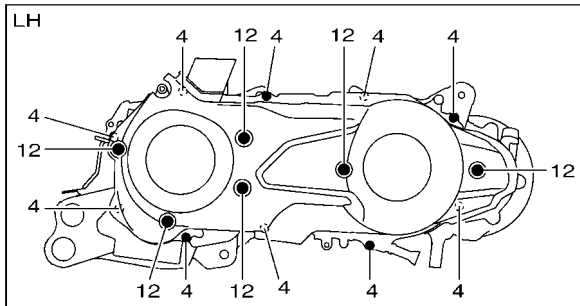
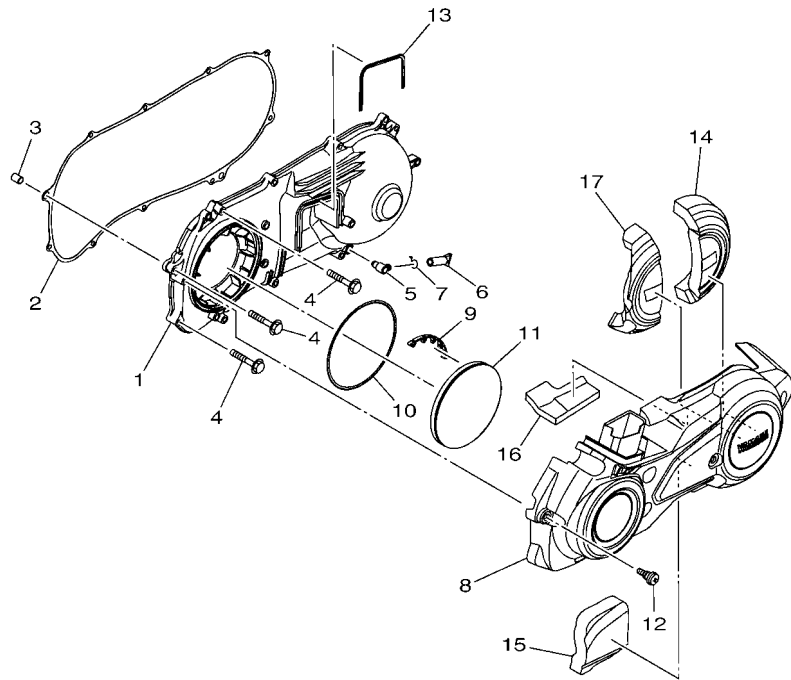


FIG. 10 CRANKCASE

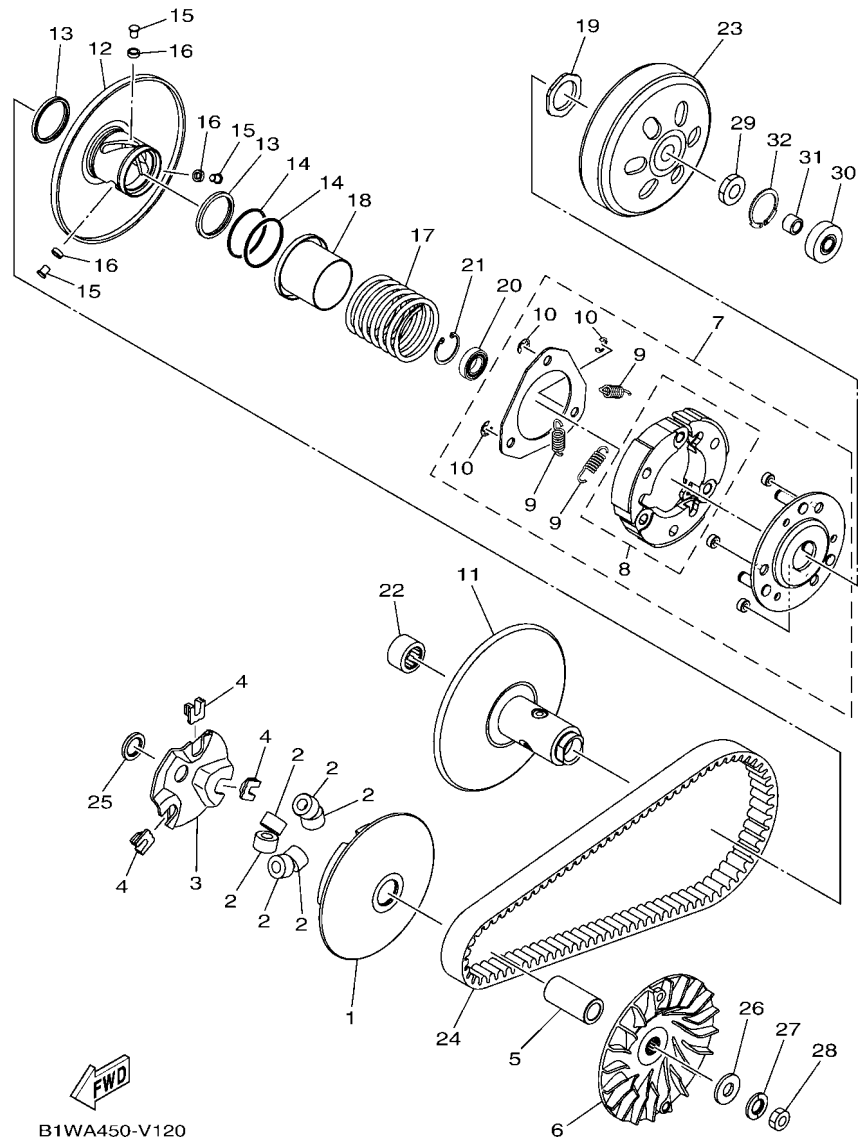
REF. NO.	PART NO.	DESCRIPTION	EG38	EG39	REMARKS
28	99530-10114	PIN, DOWEL	2	2	
29	95E32-08045	BOLT, FLANGE DEEP RECESS	6	6	
30	5LW-E5371-01	BREATHER	1	1	
31	B65-E5373-00	PIPE, BREATHER	1	1	
32	90467-10008	CLIP	1	1	
33	90467-11825	CLIP	1	1	
<hr/>					
<hr/>					
<hr/>					
<hr/>					
<hr/>					
<hr/>					
<hr/>					
<hr/>					

FIG. 11 CRANKCASE COVER 1




B631422-S110

REF. NO.	PART NO.	DESCRIPTION	EG38	EG39	REMARKS
1	B65-E5411-00	COVER, CRANKCASE 1	1	1	
2	B65-E5451-10	GASKET, CRANKCASE COVER 1	1	1	
3	99530-10114	PIN, DOWEL	1	1	
4	95E32-06035	BOLT, FLANGE DEEP RECESS	10	10	
5	5LW-E5371-01	BREATHER	1	1	
6	4ST-E443E-00	PIPE, DRAIN	1	1	
7	90467-11106	CLIP	1	1	
8	B65-E5431-00	COVER, CRANKCASE 3	1	1	
9	2DP-E5495-00	SEAL, PROTECTOR 1	1	1	
10	B65-E5472-00	SEAL, AIR DUCT	1	1	
11	2DP-E5407-00	ELEMENT 1	1	1	
12	2DP-E5481-00	BOLT 1	6	6	
13	2DP-E5474-00	SEAL, AIR DUCT	1	1	
14	B65-E5316-00	DAMPER 1	1	1	
15	B65-E5326-00	DAMPER 2	1	1	
16	B65-E5335-00	DAMPER 3	1	1	
17	B65-E5337-00	DAMPER 4	1	1	



B1WA450-V120

FIG. 12 CLUTCH

REF. NO.	PART NO.	DESCRIPTION	EG38	EG39	REMARKS
1	B65-E7620-00	PRIMARY SLIDING SHEAVE COMP.	1	1	
2	B65-E7632-00	WEIGHT	6	6	
3	2DP-E7623-00	CAM	1	1	
4	44D-E7653-00	SLIDER	3	3	
5	2DP-E7674-00	COLLAR, GUIDE	1	1	
6	2DP-E7611-00	SHEAVE, PRIMARY FIXED	1	1	
7	B6H-E6620-00	CLUTCH CARRIER ASSY	1	1	
8	B65-WE662-00	.CLUTCH WEIGHT SHOE SET	1	1	
9	B65-E6626-00	.SPRING, CLUTCH WEIGHT 1	3	3	
10	54P-E6819-00	.CIRCLIP, CLUTCH	3	3	
11	B6H-E7660-00	SECONDARY FIXED SHEAVE COMP.	1	1	
12	B6H-E7670-00	SECONDARY SLIDING SHEAVE	1	1	
13	2DP-E7465-00	SEAL	2	2	
14	2DP-E7465-10	SEAL	2	2	
15	B74-E7664-00	PIN, GUIDE	3	3	
16	2DP-E7674-10	COLLAR, GUIDE	3	3	
17	B65-E7683-00	SPRING, SECONDARY	1	1	
18	2DP-E7684-00	SEAT, SECONDARY SPRING	1	1	
19	2DP-E7668-00	NUT	1	1	
20	B6H-E7678-00	BEARING	1	1	
21	2DP-E5744-00	CIRCLIP	1	1	
22	2DP-E7678-10	BEARING	1	1	
23	B65-E6611-00	CLUTCH HOUSING COMP.	1	1	
24	B65-E7641-00	V-BELT	1	1	
25	90201-16819	WASHER, PLATE	1	1	
26	90201-163G6	WASHER, PLATE	1	1	
27	90208-12808	WASHER, CONICAL SPRING	1	1	

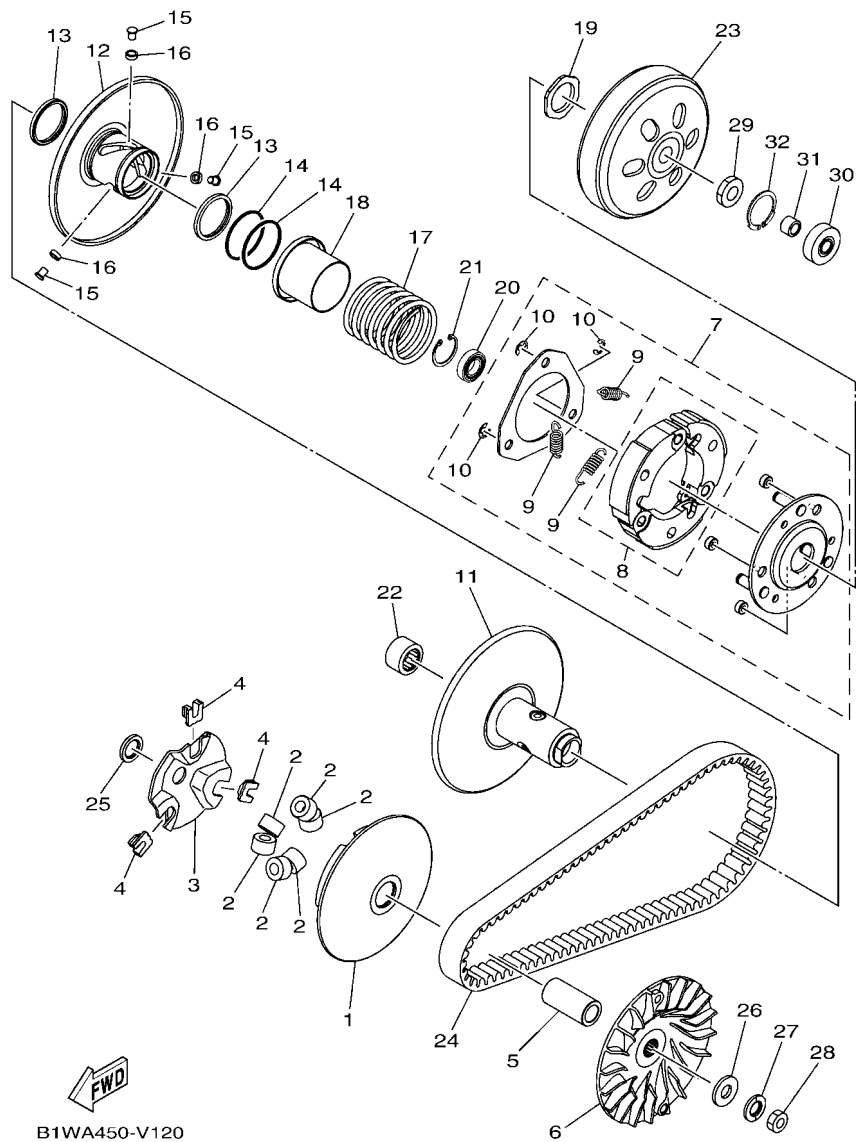
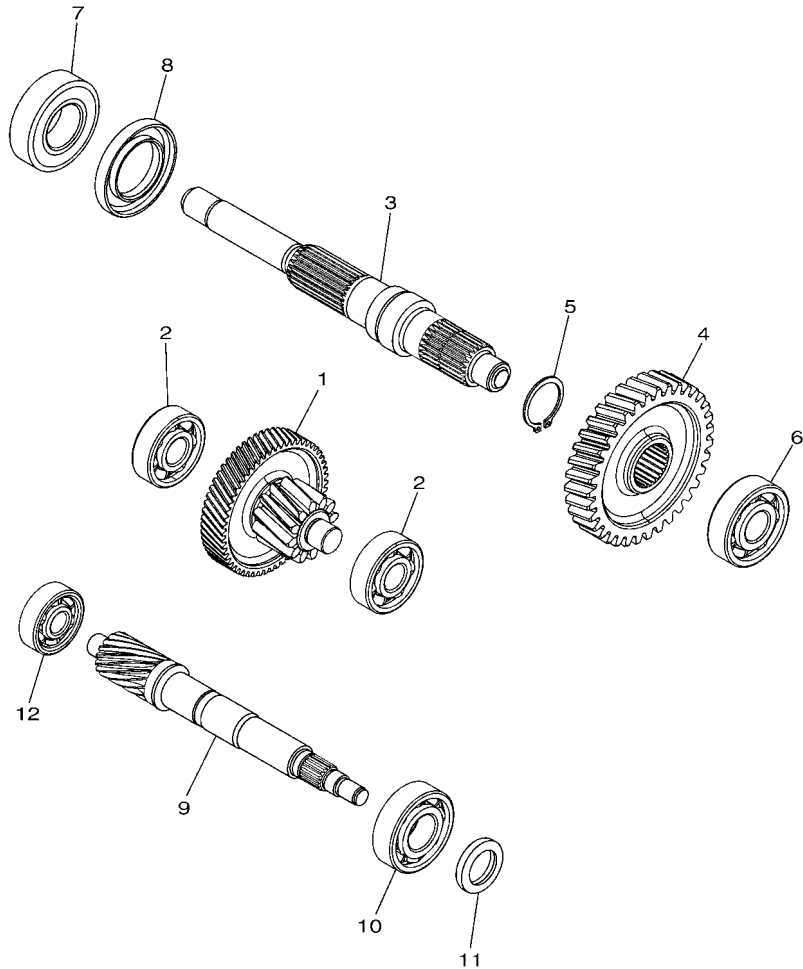


FIG. 12 CLUTCH

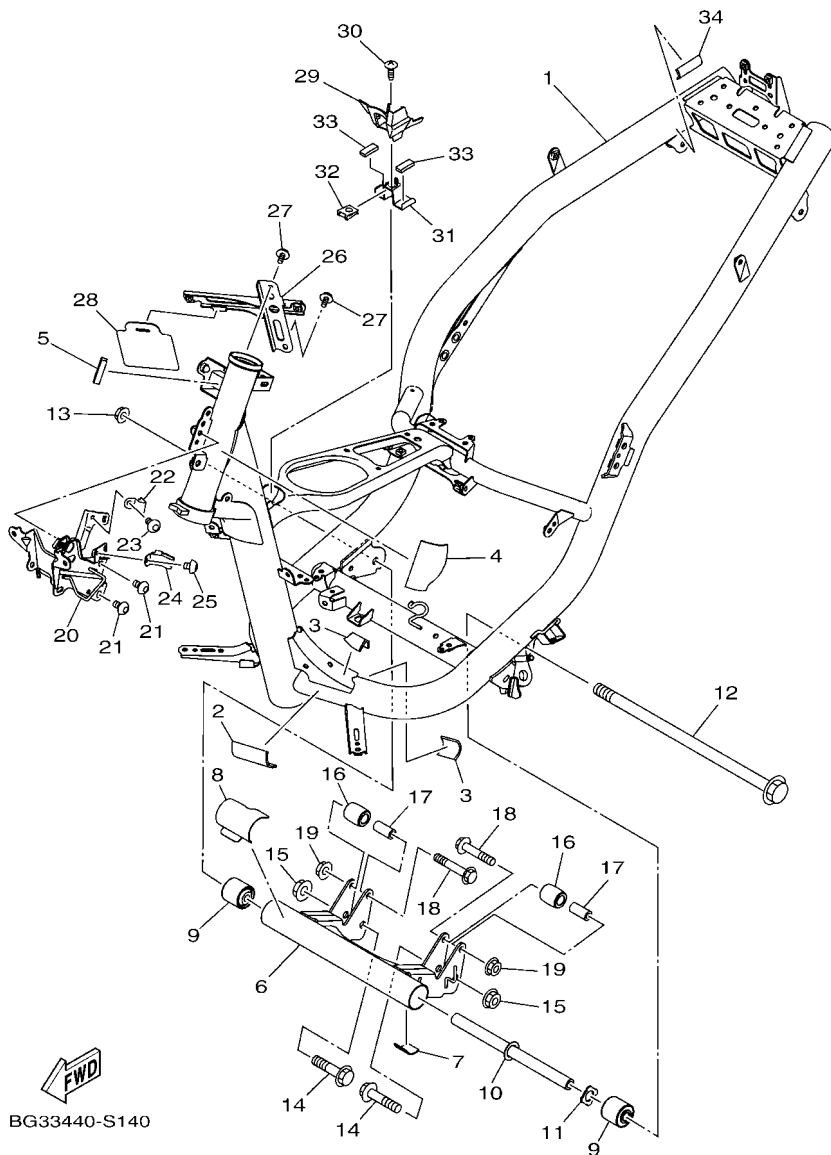
REF. NO.	PART NO.	DESCRIPTION			REMARKS
			EG38	EG39	
28	90170-12800	NUT	1	1	
29	90170-12803	NUT	1	1	
30	93306-252YR	BEARING	1	1	
31	90380-10803	BUSH, SOLID	1	1	
32	99009-35700	CIRCLIP	1	1	
<hr/>					
<hr/>					
<hr/>					
<hr/>					
<hr/>					
<hr/>					
<hr/>					
<hr/>					
<hr/>					
<hr/>					
<hr/>					
<hr/>					
<hr/>					
<hr/>					
<hr/>					



FWD
2DP1460-P140

FIG. 13 TRANSMISSION

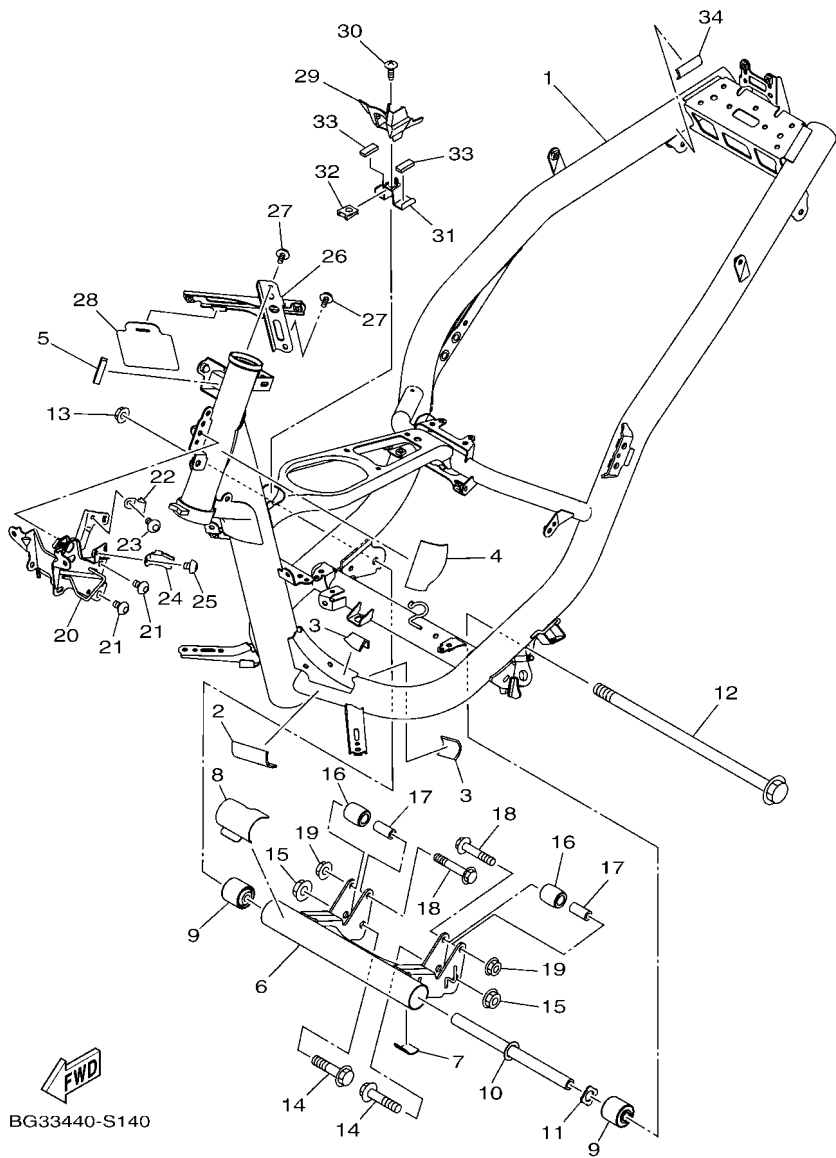
REF. NO.	PART NO.	DESCRIPTION	EG38	EG39	REMARKS
1	B65-E7410-00	MAIN AXLE COMP. (13T/56T)	1	1	UR
	B65-E7410-10	MAIN AXLE COMP. (13T/56T)	1	1	UR
	B65-E7410-20	MAIN AXLE COMP. (13T/56T)	1	1	UR
	B65-E7410-30	MAIN AXLE COMP. (13T/56T)	1	1	UR
2	93306-302YP	BEARING	2	2	
3	B65-E7421-00	AXLE, DRIVE	1	1	UR
	B65-E7421-10	AXLE, DRIVE	1	1	UR
4	B65-E7211-00	GEAR, 1ST WHEEL (40T)	1	1	UR
	B65-E7211-10	GEAR, 1ST WHEEL (40T)	1	1	UR
5	99009-25400	CIRCLIP	1	1	
6	93306-303YT	BEARING	1	1	
7	93306-255X5	BEARING	1	1	
8	93102-32807	OIL SEAL	1	1	
9	B65-E6111-00	GEAR, PRIMARY DRIVE (16T)	1	1	UR
	B65-E6111-10	GEAR, PRIMARY DRIVE (16T)	1	1	UR
10	93306-204XW	BEARING	1	1	
11	93102-20815	OIL SEAL	1	1	
12	93306-351Y5	BEARING	1	1	



BG33440-S140

FIG. 14 FRAME

REF. NO.	PART NO.	DESCRIPTION	EG38	EG39	REMARKS
1	B65-F1110-10	FRAME COMP.	1	1	
2	5D9-F414G-00	SEAL	1	1	
3	5D9-F414G-10	SEAL	2	2	
4	90520-02829	DAMPER, PLATE	1	1	
5	90520-08803	DAMPER, PLATE	1	1	
6	B65-F1410-00	ENGINE BRACKET COMP.	1	1	
7	5D9-F414G-10	SEAL	1	1	
8	B65-F117G-00	PROTECTOR	1	1	
9	90388-10818	DAMPER	2	2	
10	90387-10857	COLLAR	1	1	
11	B65-F113B-00	DAMPER	1	1	
12	B65-F2141-00	SHAFT, PIVOT	1	1	
13	95602-10200	NUT, S/L FLANGE	1	1	
14	90105-10283	BOLT, FLANGE	2	2	
15	95602-10200	NUT, S/L FLANGE	2	2	
16	5P2-F7114-00	STOPPER, MAIN STAND	2	2	
17	90387-08821	COLLAR	2	2	
18	90105-088E3	BOLT, FLANGE	2	2	
19	95602-08200	NUT, U FLANGE	2	2	
20	B65-F8356-30	STAY 1	1	1	
21	92012-08012	BOLT, BUTTON HEAD	2	2	
22	B65-F5887-00	HOLDER, BRAKE HOSE 3	1	1	
23	92012-06010	BOLT, BUTTON HEAD	1	1	
24	B65-F587A-10	HOLDER, BRAKE HOSE 4	1	1	
25	92012-06010	BOLT, BUTTON HEAD	1	1	
26	B65-F8358-10	STAY 3	1	1	
27	95D32-06010	BOLT, FLANGE DEEP RECESS	2	2	

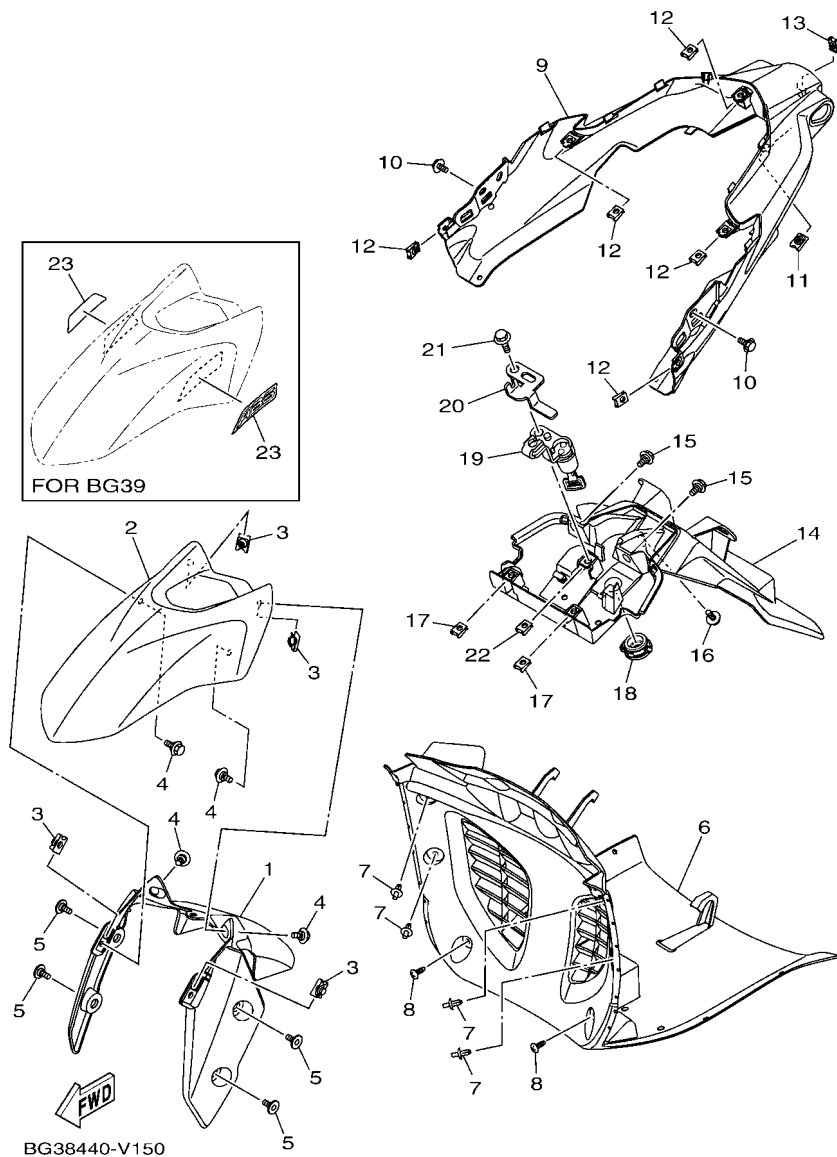


BG33440-S140

FIG. 14 FRAME

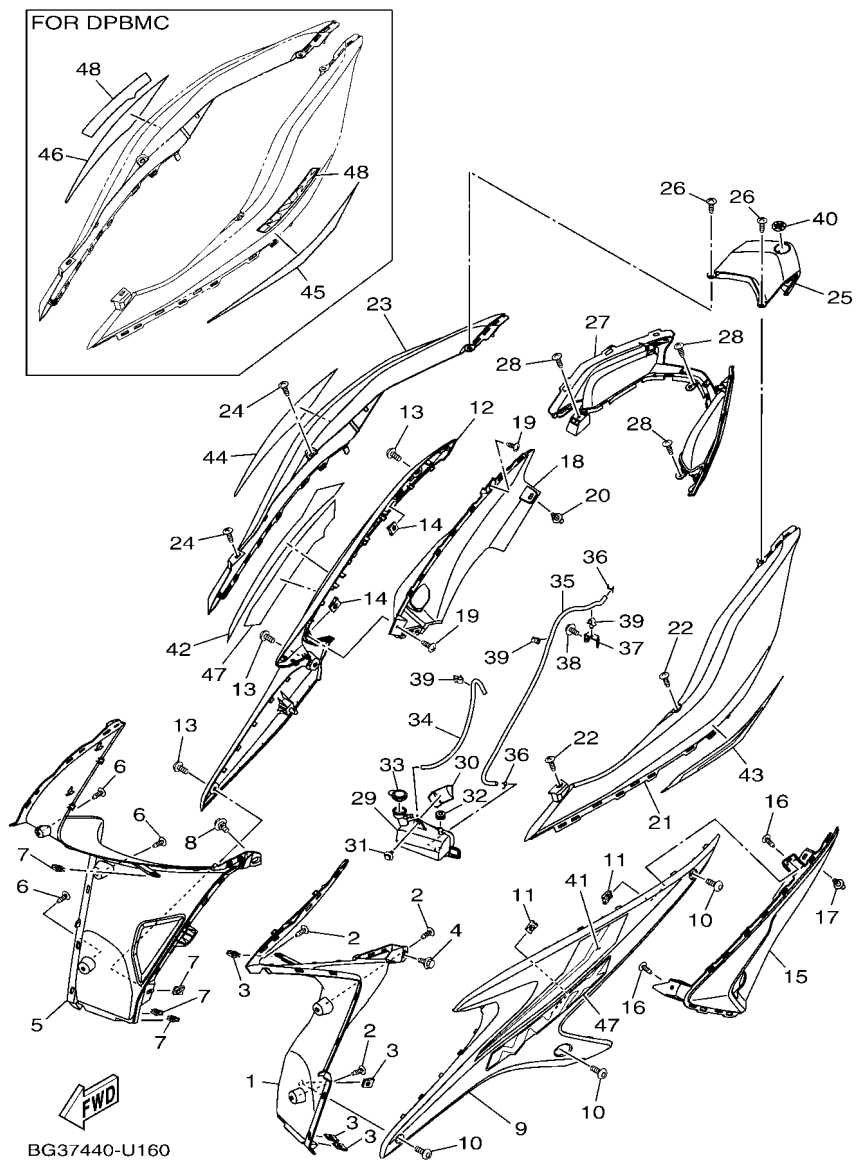
REF. NO.	PART NO.	DESCRIPTION	EG38	EG39	REMARKS
28	B65-F1521-00	FLAP, FRONT FENDER	1	1	
29	B65-F472T-00	COVER, SEAT LOCK	1	1	
30	97707-50016	SCREW, TRUSS HEAD TAPPING	1	1	
31	B65-F4738-00	BRACKET, SEAT	1	1	
32	90183-05807	NUT, SPRING	1	1	
33	90520-05815	DAMPER, PLATE	2	2	
34	90520-10834	DAMPER, PLATE	1	1	

FIG. 15 FENDER



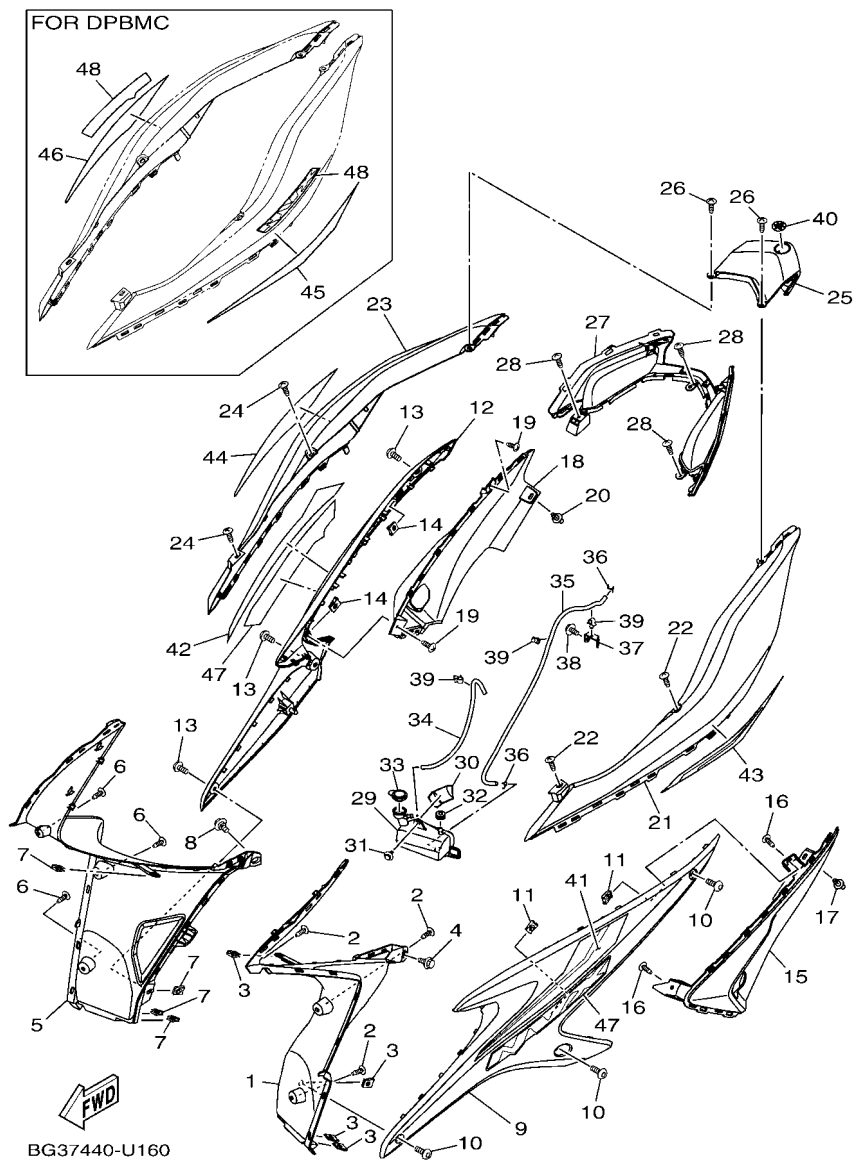
REF. NO.	PART NO.	DESCRIPTION			REMARKS
			BG38	BG39	
1	B65-F1511-00	FENDER, FRONT	1	1	
2	BG3-F1556-00-P3	FENDER, FRONT 2	1		UR FOR RM7
	BG3-F1556-00-P4	FENDER, FRONT 2	1		UR FOR MNM3
	BG3-F1556-00-P1	FENDER, FRONT 2	1		UR FOR DPBMC
	BG3-F1556-00-P5	FENDER, FRONT 2		1	UR LNOM3 FOR MBM3
3	90183-06818	NUT, SPRING	4	4	
4	90109-068B5	BOLT	4	4	
5	90109-068A4	BOLT	4	4	
6	B65-F1552-00	FENDER, INNER	1	1	
7	90269-06816	RIVET	4	4	
8	97707-50016	SCREW, TRUSS HEAD TAPPING	2	2	
9	B65-F1611-00	FENDER, REAR	1	1	
10	90119-06044	BOLT, WITH WASHER	2	2	
11	90183-06800	NUT, SPRING	1	1	
12	90183-05807	NUT, SPRING	5	5	
13	90183-04039	NUT, SPRING	1	1	
14	B65-F162R-10	FENDER 2	1	1	
15	90109-068B5	BOLT	2	2	
16	90119-06096	BOLT, WITH WASHER	1	1	
17	90183-05807	NUT, SPRING	2	2	
18	B65-F482H-00	CAP	1	1	
19	B65-F465E-00	ROTOR COMP.	1	1	
20	B65-F117K-00	STAY, LOCK	1	1	
21	95022-06020	BOLT, FLANGE	1	1	
22	90183-06800	NUT, SPRING	1	1	
23	BG3-F1578-20	EMBLEM		2	

FIG. 16 SIDE COVER



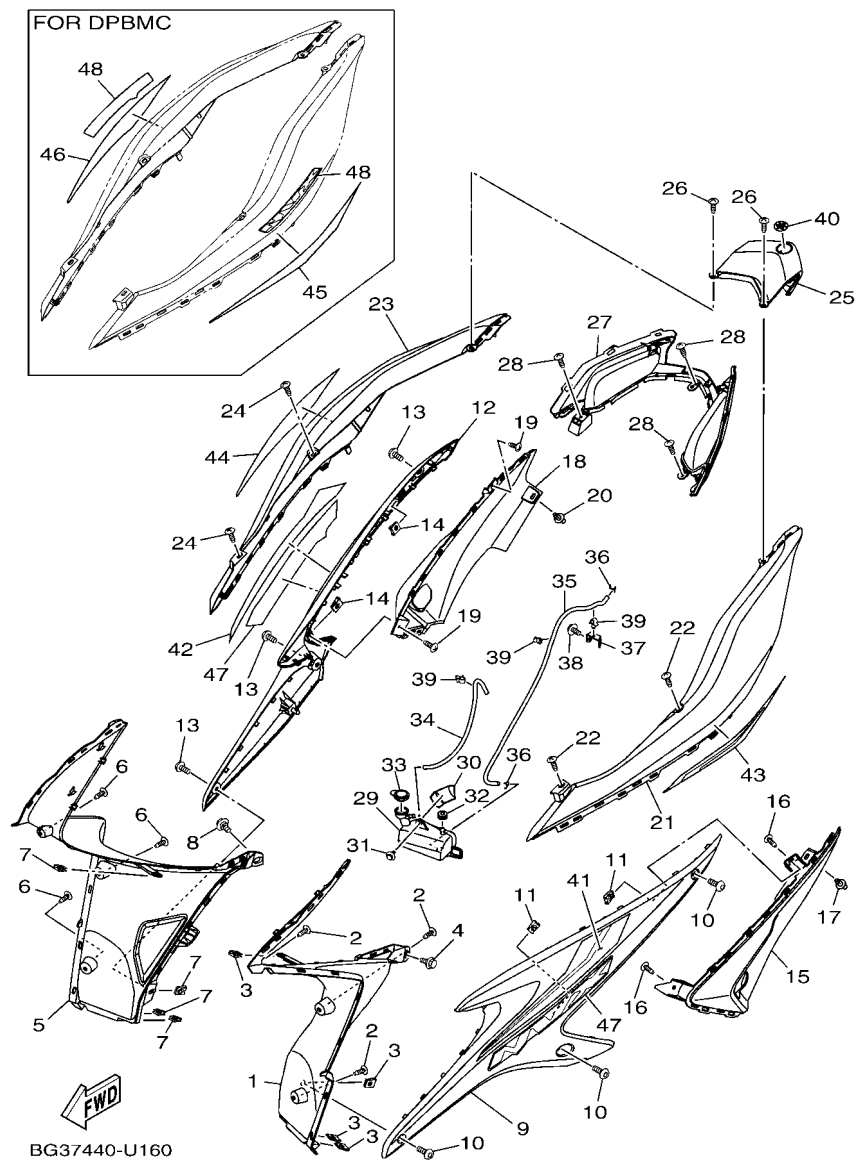
REF. NO.	PART NO.	DESCRIPTION	BG38	BG39	REMARKS
1	B65-F1711-00	COVER, SIDE 1	1		
2	97707-50016	SCREW, TRUSS HEAD TAPPING	3		
3	90183-05807	NUT, SPRING	4		
4	90109-068B5	BOLT	1		
5	B65-F1721-00	COVER, SIDE 2	1		
6	97707-50016	SCREW, TRUSS HEAD TAPPING	3		
7	90183-05807	NUT, SPRING	4		
8	90109-068B5	BOLT	1		
9	BG3-F1731-00-P0	COVER, SIDE 3	1		UR MBL2 FOR RM7
	BG3-F1731-00-P2	COVER, SIDE 3	1		UR RYC1 FOR MNM3
	BG3-F1731-00-P3	COVER, SIDE 3	1		UR SMX FOR DPBMC
10	90167-05801	SCREW, TAPPING	3		
11	90183-05807	NUT, SPRING	2		
12	BG3-F1741-00-P0	COVER, SIDE 4	1		UR MBL2 FOR RM7
	BG3-F1741-00-P2	COVER, SIDE 4	1		UR RYC1 FOR MNM3
	BG3-F1741-00-P3	COVER, SIDE 4	1		UR SMX FOR DPBMC
13	90167-05801	SCREW, TAPPING	3		
14	90183-05807	NUT, SPRING	2		
15	B65-F171N-00	MOLE, SIDE COVER 3	1		
16	97707-50016	SCREW, TRUSS HEAD TAPPING	2		
17	90269-06816	RIVET	1		
18	B65-F171R-00	MOLE, SIDE COVER 4	1		
19	97707-50016	SCREW, TRUSS HEAD TAPPING	2		
20	90269-06816	RIVET	1		
21	BG3-F171E-00-P3	COVER, SIDE 5	1		UR FOR RM7
	BG3-F171E-00-P4	COVER, SIDE 5	1		UR FOR MNM3
	BG3-F171E-00-P2	COVER, SIDE 5	1		UR SMX FOR DPBMC

FIG. 16 SIDE COVER



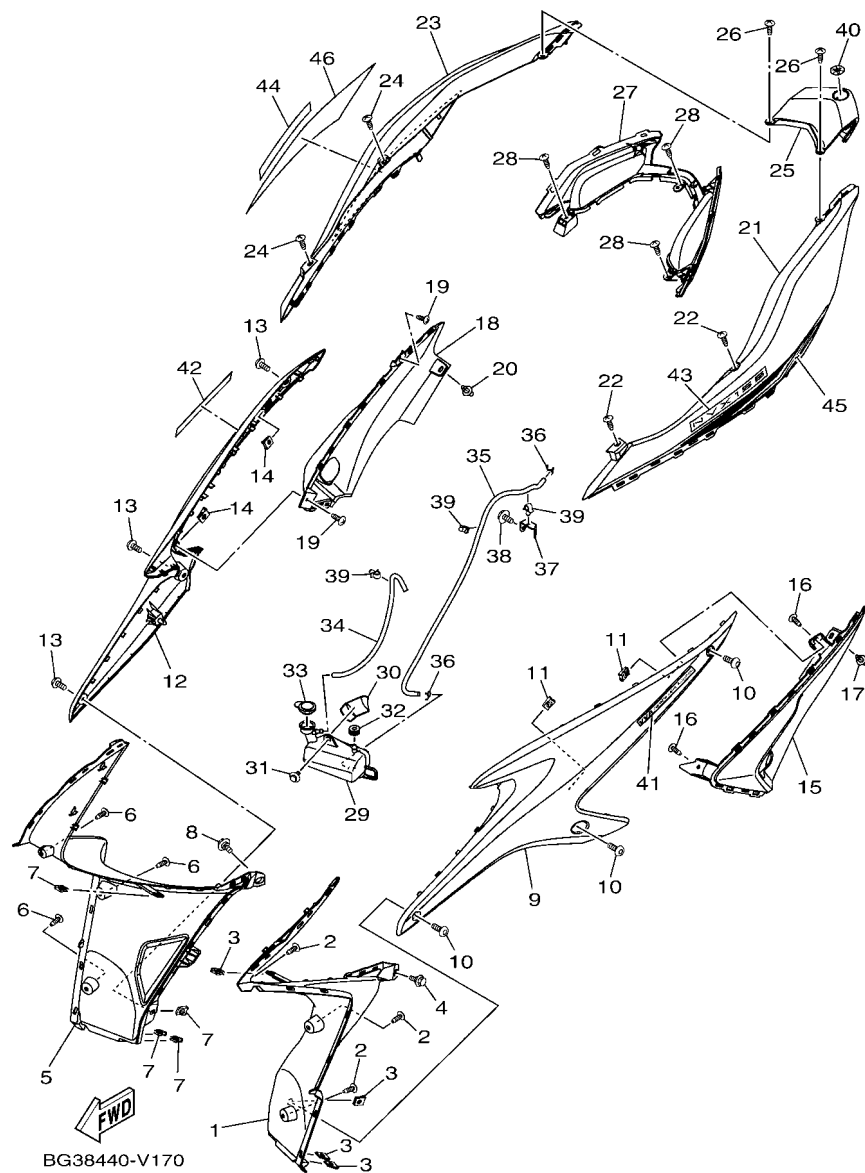
REF. NO.	PART NO.	DESCRIPTION	BG38	BG39	REMARKS
22	97707-50016	SCREW, TRUSS HEAD TAPPING	2		
23	BG3-F171X-00-P3	COVER, SIDE 6	1		UR FOR RM7
	BG3-F171X-00-P4	COVER, SIDE 6	1		UR FOR MNM3
	BG3-F171X-00-P2	COVER, SIDE 6	1		UR SMX FOR DPBMC
24	97707-50016	SCREW, TRUSS HEAD TAPPING	2		
25	BG3-F471K-00-P3	COVER, TAIL 1	1		UR FOR RM7
	BG3-F471K-00-P4	COVER, TAIL 1	1		UR FOR MNM3
	BG3-F471K-00-P2	COVER, TAIL 1	1		UR SMX FOR DPBMC
26	97707-50016	SCREW, TRUSS HEAD TAPPING	2		
27	B65-F472K-00	COVER, TAIL 2	1		
28	97707-50016	SCREW, TRUSS HEAD TAPPING	3		
29	B65-F1871-00	TANK, RECOVERY	1		
30	90520-02829	DAMPER, PLATE	1		
31	90109-068B5	BOLT	1		
32	90480-14808	GROMMET	1		
33	1S7-F1875-01	CAP	1		
34	B65-F1816-00	PIPE 1	1		
35	B65-F1817-00	PIPE 2	1		
36	90467-08003	CLIP	2		
37	B65-F2957-10	BRACKET, HOSE	1		
38	95D02-06012	BOLT, FLANGE DEEP RECESS	1		
39	90464-07805	CLAMP	3		
40	5P2-F1737-00	EMBLEM	1		
41	BG3-F173E-40	GRAPHIC 1	1		UR FOR RM7
	BG3-F173E-50	GRAPHIC 1	1		UR FOR MNM3
42	BG3-F173F-40	GRAPHIC 2	1		UR FOR RM7
	BG3-F173F-50	GRAPHIC 2	1		UR FOR MNM3

FIG. 16 SIDE COVER



REF. NO.	PART NO.	DESCRIPTION	BG38	BG39	REMARKS
43	BG3-F174G-30	GRAPHIC 3	1		UR FOR RM7
	BG3-F174G-40	GRAPHIC 3	1		UR FOR MNM3
44	BG3-F174H-30	GRAPHIC 4	1		UR FOR RM7
	BG3-F174H-40	GRAPHIC 4	1		UR FOR MNM3
45	BG3-F174J-40	GRAPHIC 5	1		FOR DPBMC
46	BG3-F174K-40	GRAPHIC 6	1		FOR DPBMC
47	BG3-F1781-30	EMBLEM 1	2		UR FOR RM7
	BG3-F1781-40	EMBLEM 1	2		UR FOR MNM3
48	BG3-F1783-00	EMBLEM 3	2		FOR DPBMC

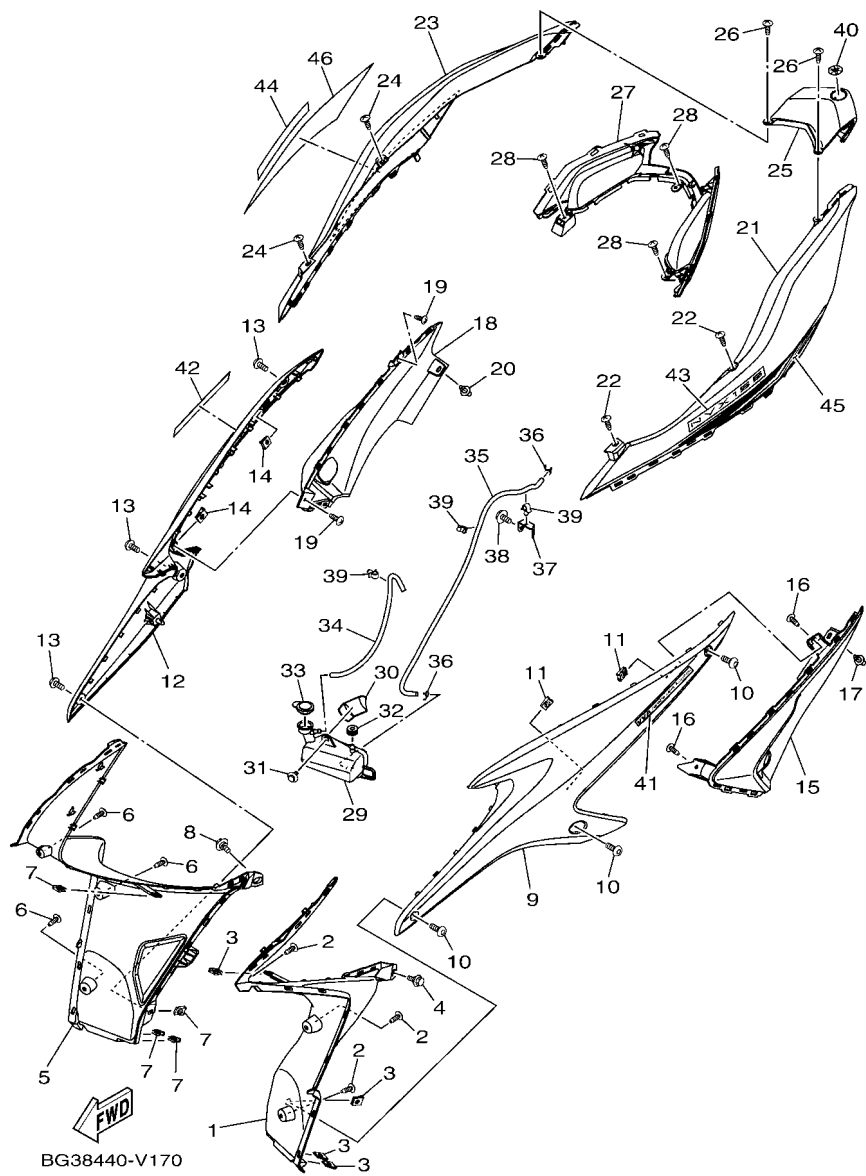
FIG. 17 SIDE COVER 2



BG38440-V170

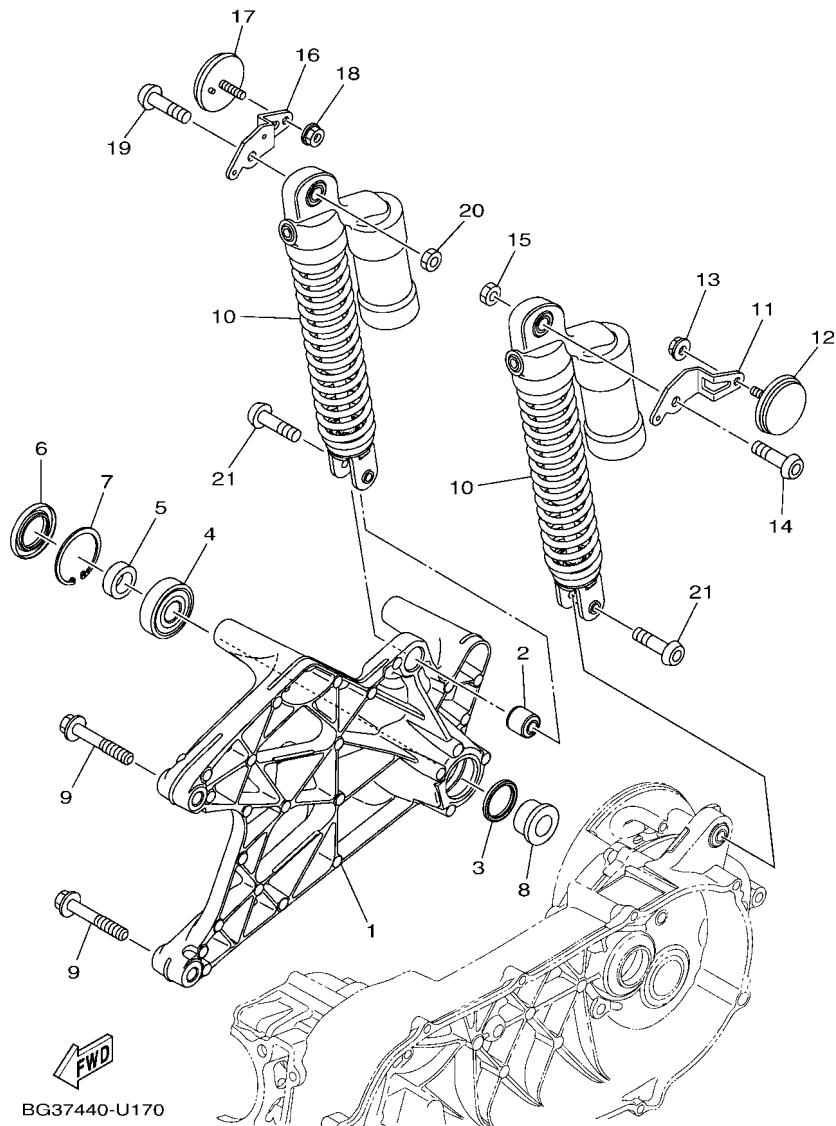
REF. NO.	PART NO.	DESCRIPTION	BG38	BG39	REMARKS
1	B65-F1711-00	COVER, SIDE 1		1	
2	97707-50016	SCREW, TRUSS HEAD TAPPING		3	
3	90183-05807	NUT, SPRING		4	
4	90109-068B5	BOLT		1	
5	B65-F1721-00	COVER, SIDE 2		1	
6	97707-50016	SCREW, TRUSS HEAD TAPPING		3	
7	90183-05807	NUT, SPRING		4	
8	90109-068B5	BOLT		1	
9	BG3-F1731-00-P4	COVER, SIDE 3		1	LNOM3 FOR MBM3
10	90167-05801	SCREW, TAPPING		3	
11	90183-05807	NUT, SPRING		2	
12	BG3-F1741-00-P4	COVER, SIDE 4		1	LNOM3 FOR MBM3
13	90167-05801	SCREW, TAPPING		3	
14	90183-05807	NUT, SPRING		2	
15	B65-F171N-00	MOLE, SIDE COVER 3		1	
16	97707-50016	SCREW, TRUSS HEAD TAPPING		2	
17	90269-06816	RIVET		1	
18	B65-F171R-00	MOLE, SIDE COVER 4		1	
19	97707-50016	SCREW, TRUSS HEAD TAPPING		2	
20	90269-06816	RIVET		1	
21	BG3-F171E-00-P5	COVER, SIDE 5		1	MBM3
22	97707-50016	SCREW, TRUSS HEAD TAPPING		2	
23	BG3-F171X-00-P5	COVER, SIDE 6		1	MBM3
24	97707-50016	SCREW, TRUSS HEAD TAPPING		2	
25	BG3-F471K-00-P5	COVER, TAIL 1		1	MBM3
26	97707-50016	SCREW, TRUSS HEAD TAPPING		2	
27	B65-F472K-00	COVER, TAIL 2		1	

FIG. 17 SIDE COVER 2



REF. NO.	PART NO.	DESCRIPTION	BG38	BG39	REMARKS
28	97707-50016	SCREW, TRUSS HEAD TAPPING		3	
29	B65-F1871-00	TANK, RECOVERY		1	
30	90520-02829	DAMPER, PLATE		1	
31	90109-068B5	BOLT		1	
32	90480-14808	GROMMET		1	
33	1S7-F1875-01	CAP		1	
34	B65-F1816-00	PIPE 1		1	
35	B65-F1817-00	PIPE 2		1	
36	90467-08003	CLIP		2	
37	B65-F2957-10	BRACKET, HOSE		1	
38	95D02-06012	BOLT, FLANGE DEEP RECESS		1	
39	90464-07805	CLAMP		3	
40	5P2-F1737-00	EMBLEM		1	
41	BG3-F1781-50	EMBLEM 1		1	
42	BG3-F1781-50	EMBLEM 1		1	
43	BG3-F1783-30	EMBLEM 3		1	
44	BG3-F1783-30	EMBLEM 3		1	
45	BG3-F174G-50	GRAPHIC 3		1	
46	BG3-F174H-50	GRAPHIC 4		1	

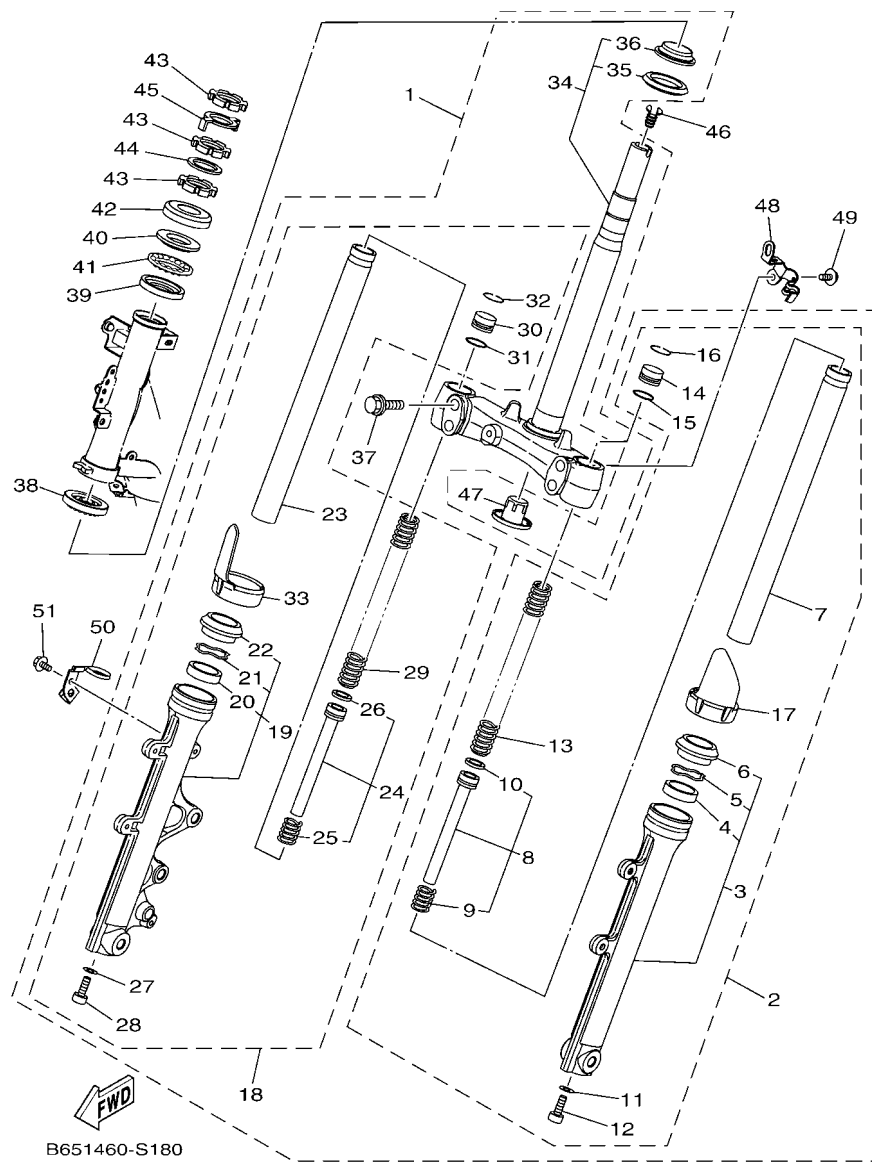
FIG. 18 REAR ARM & SUSPENSION



BG37440-U170

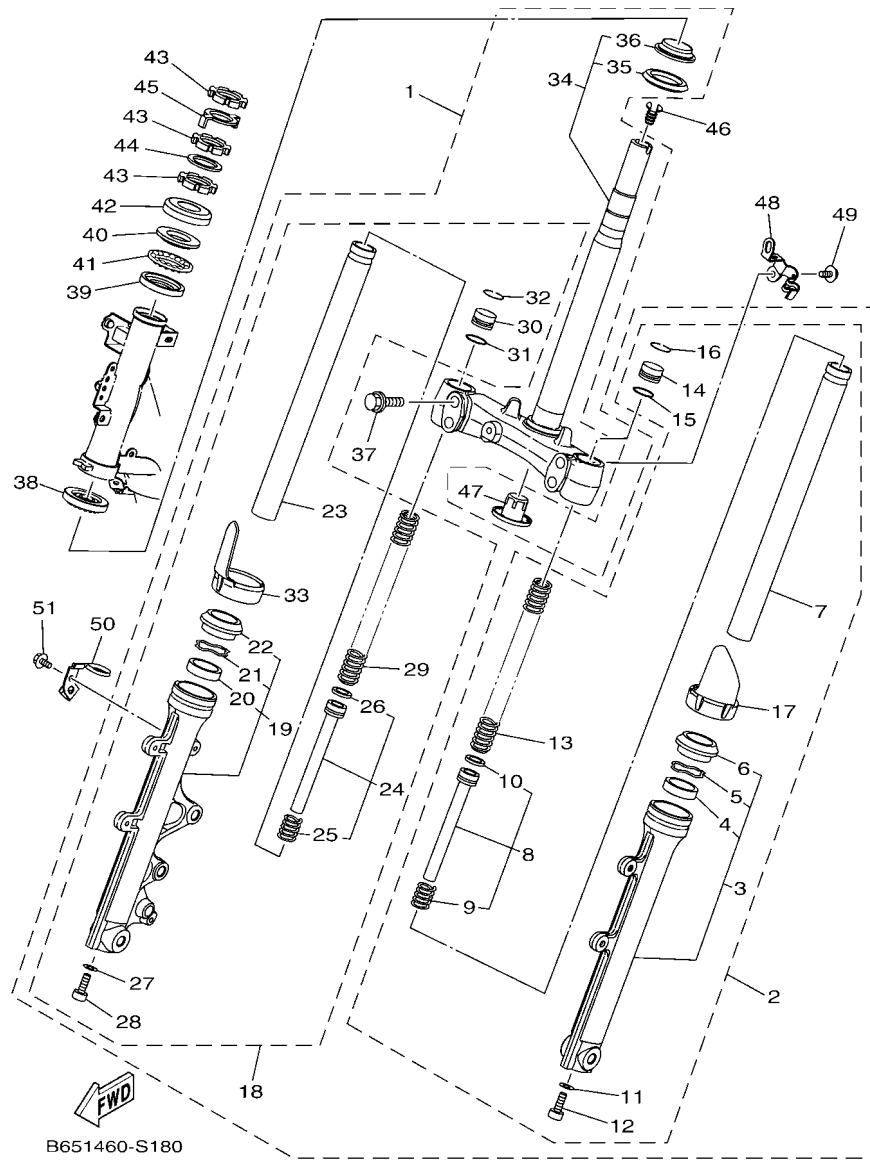
REF. NO.	PART NO.	DESCRIPTION	BG38	BG39	REMARKS
1	B65-F2171-00	ARM, REAR 1	1	1	
2	5MX-F2216-00	BUSH, REAR SHOCK ABSORBER	1	1	UR
	4D1-F2216-00	BUSH, REAR SHOCK ABSORBER	1	1	UR
3	93106-28801	OIL SEAL	1	1	
4	93306-303YV	BEARING	1	1	
5	90387-17807	COLLAR	1	1	
6	93106-28813	OIL SEAL	1	1	
7	99009-47500	CIRCLIP	1	1	
8	90387-17808	COLLAR	1	1	
9	95D32-10060	BOLT, FLANGE DEEP RECESS	2	2	
10	B63-F2210-30	SHOCK ABSORBER ASSY, REAR	2	2	
11	BG3-F221A-10	BRACKET 1	1	1	
12	2FC-H5111-00	REFLECTOR, 1	1	1	
13	95702-05500	NUT, FLANGE	1	1	
14	90149-08804	SCREW	1	1	
15	95302-08600	NUT, HEXAGON	1	1	
16	BG3-F221B-10	BRACKET 2	1	1	
17	2FC-H5111-00	REFLECTOR, 1	1	1	
18	95702-05500	NUT, FLANGE	1	1	
19	90149-08804	SCREW	1	1	
20	95302-08600	NUT, HEXAGON	1	1	
21	90149-08804	SCREW	2	2	

FIG. 19 STEERING



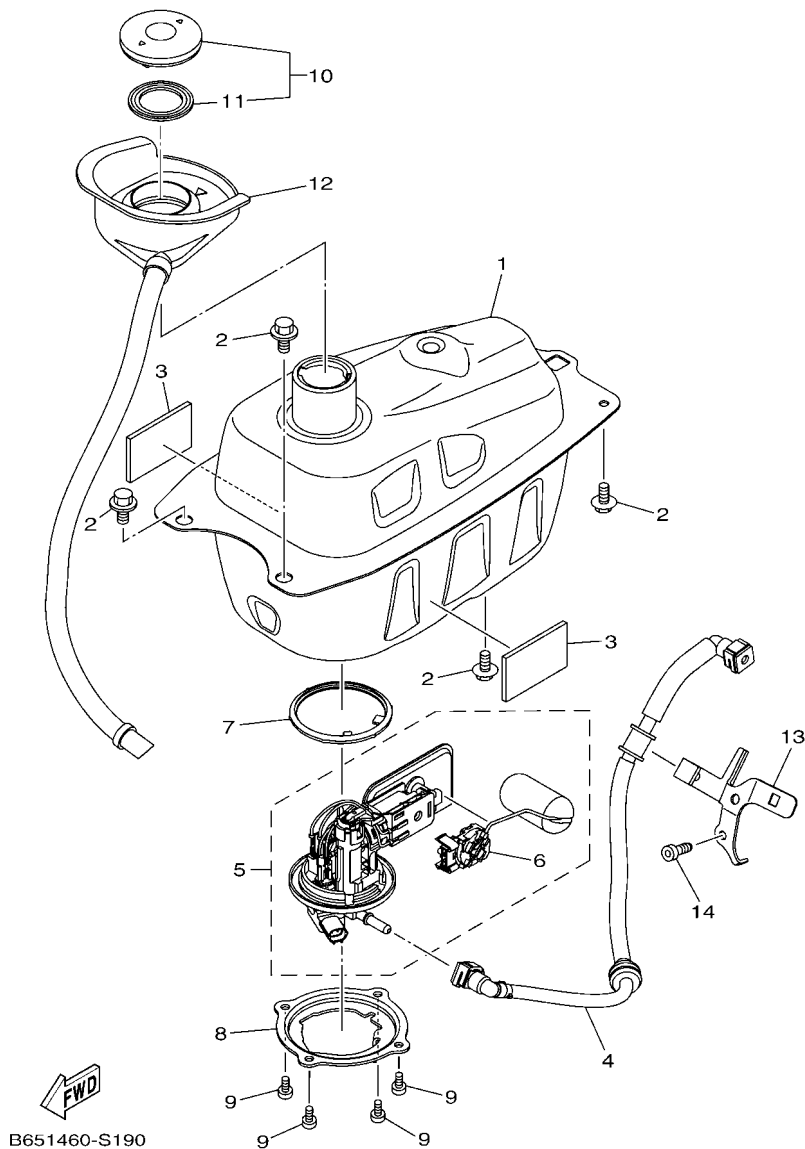
REF. NO.	PART NO.	DESCRIPTION	EG38	EG39	REMARKS
1	B65-F3100-10	FRONT FORK ASSY	1	1	
2	B65-F3102-10	.FRONT FORK ASSY (L.H)	1	1	
3	B65-F3126-00	..TUBE, OUTER (L.H)	1	1	
4	3AY-F3145-00	...OIL SEAL	1	1	
5	5P0-F3156-00	...RING, SNAP	1	1	
6	5LM-F3144-00	...SEAL, DUST	1	1	
7	B65-F3110-00	..INNER TUBE COMP.1	1	1	
8	B65-F3170-10	..CYLINDER COMP., FRONT FORK	1	1	
9	5LM-F3152-00	...SPRING, SUB	1	1	
10	2JG-F3157-00	...RING, PISTON	1	1	
11	2BU-F3158-00	..GASKET	1	1	
12	278-F3181-50	..BOLT, HEXAGON SOCKET HEAD	1	1	
13	B63-F3141-00	..SPRING, FRONT FORK	1	1	
14	1FC-F3111-10	..BOLT, CAP	1	1	
15	2JG-F3147-00	..O-RING	1	1	
16	31B-F3153-00	..RING, SNAP	1	1	
17	B65-F315H-00	..PROTECTOR 1	1	1	
18	B65-F3103-10	.FRONT FORK ASSY (R.H)	1	1	
19	B65-F3136-00	..TUBE, OUTER 2	1	1	
20	3AY-F3145-00	...OIL SEAL	1	1	
21	5P0-F3156-00	...RING, SNAP	1	1	
22	5LM-F3144-00	...SEAL, DUST	1	1	
23	B65-F3110-00	..INNER TUBE COMP.1	1	1	
24	B65-F3170-10	..CYLINDER COMP., FRONT FORK	1	1	
25	5LM-F3152-00	...SPRING, SUB	1	1	
26	2JG-F3157-00	...RING, PISTON	1	1	
27	2BU-F3158-00	..GASKET	1	1	

FIG. 19 STEERING



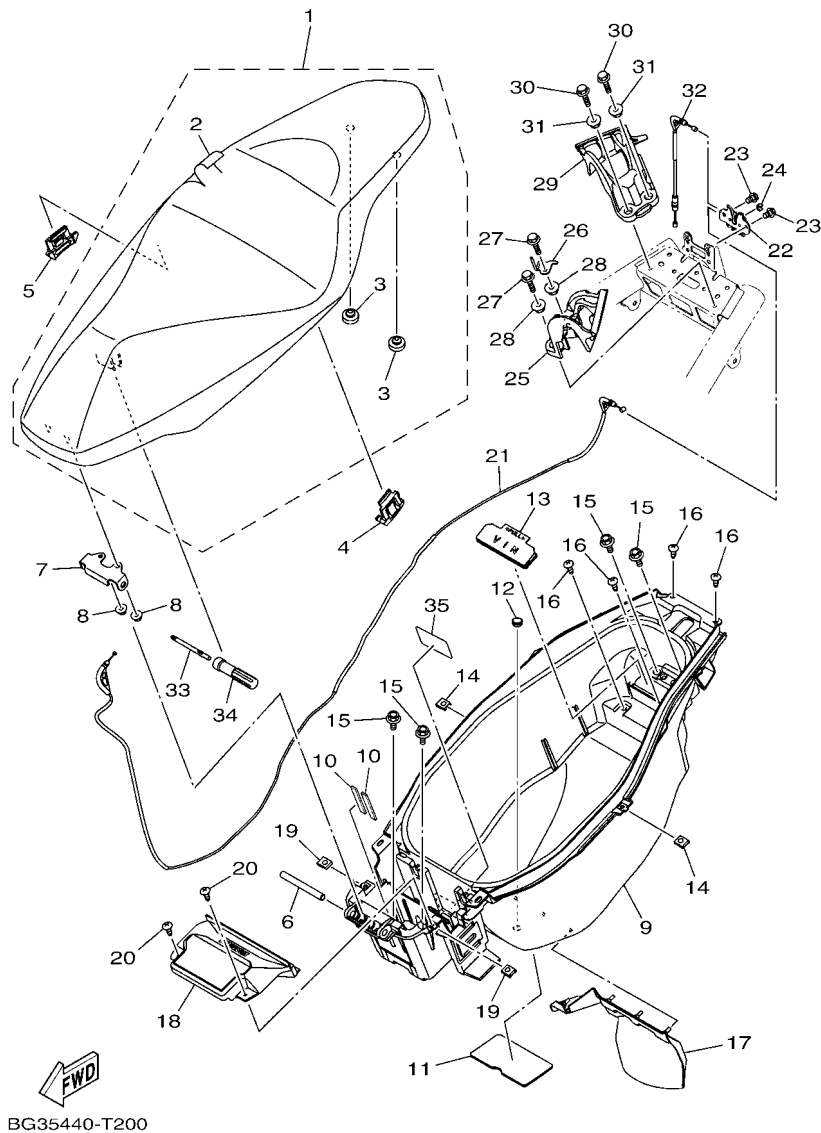
REF. NO.	PART NO.	DESCRIPTION	EG38	EG39	REMARKS
28	278-F3181-50	..BOLT, HEXAGON SOCKET HEAD	1	1	
29	B63-F3141-00	..SPRING, FRONT FORK	1	1	
30	1FC-F3111-10	..BOLT, CAP	1	1	
31	2JG-F3147-00	..O-RING	1	1	
32	31B-F3153-00	..RING, SNAP	1	1	
33	B65-F315J-00	..PROTECTOR 2	1	1	
34	B65-F3340-00	..UNDER BRACKET COMP.	1	1	
35	B63-F3462-00	..SEAL, DUST	1	1	
36	2TD-F3875-00	..BEARING, STEERING LOWER	1	1	
37	4D0-F3346-00	..BOLT 1	4	4	
38	2TD-F3873-00	BEARING, STEERING UPPER	1	1	
39	4RT-F3412-10	RACE, BALL 2	1	1	
40	4RT-F3411-10	RACE, BALL 1	1	1	
41	1P6-F341E-10	RETAINER, BALL BEARING	1	1	
42	5TL-F3416-00	COVER, BALL RACE 2	1	1	
43	90179-25810	NUT	3	3	
44	90202-26142	WASHER, PLATE	1	1	
45	1PA-F3418-00	WASHER, SPECIAL	1	1	
46	B65-F312G-00	PLUG, HOLE	1	1	
47	B65-F3123-00	COVER, UNDER 1	1	1	
48	B65-F5875-00	HOLDER, BRAKE HOSE 1	1	1	
49	95D02-06012	BOLT, FLANGE DEEP RECESS	1	1	
50	B65-F5876-00	HOLDER, BRAKE HOSE 2	1	1	
51	95D02-06012	BOLT, FLANGE DEEP RECESS	1	1	

FIG. 20 FUEL TANK



B651460-S190

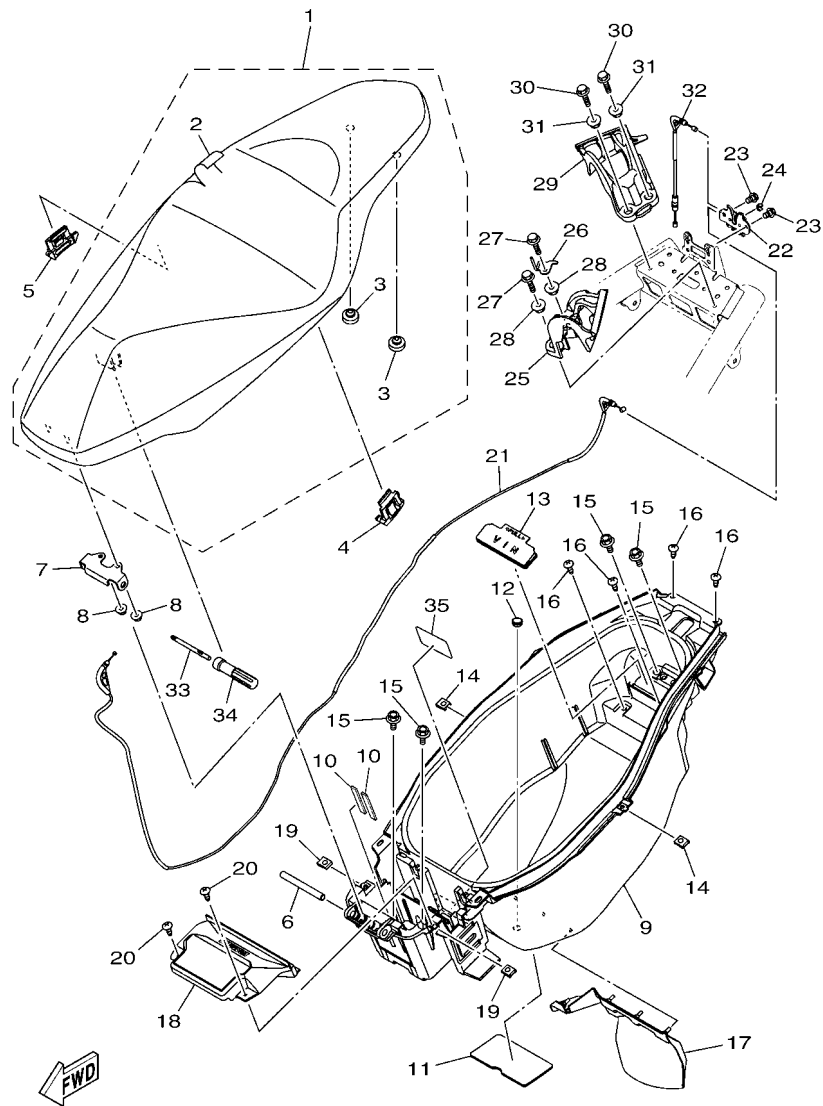
REF. NO.	PART NO.	DESCRIPTION	EG38	EG39	REMARKS
1	B65-F4110-00	FUEL TANK COMP.	1	1	
2	90119-068B7	BOLT, WITH WASHER	4	4	
3	90520-02829	DAMPER, PLATE	2	2	
4	B65-E3971-00	PIPE, FUEL 1	1	1	
5	B65-E3907-10	FUEL PUMP COMP.	1	1	
6	B65-H5752-00	.SENDER UNIT ASSY, FUEL METER	1	1	
7	54P-F414G-10	SEAL	1	1	
8	2DP-F4491-00	BRACKET, FUEL PUMP	1	1	
9	91332-05010	BOLT	4	4	
10	4YY-F4610-00	CAP ASSY	1	1	
11	4YY-F4612-00	.PACKING, CAP	1	1	
12	B65-F414A-00	COVER, FILLER	1	1	
13	B65-F419A-10	HOLDER	1	1	
14	91317-06016	BOLT,HEX.SOCKET HEAD	1	1	



BG35440-T200

FIG. 21 SEAT

REF. NO.	PART NO.	DESCRIPTION	BG38	BG39	REMARKS
1	B65-F4730-10	DOUBLE SEAT ASSY	1		UR FOR RM7,MNM3
	B65-F4730-20	DOUBLE SEAT ASSY	1		UR FOR DPBMC
	B65-F4730-30	DOUBLE SEAT ASSY		1	
2	B65-F470F-10	.SEAT COVER COMP.	1		UR FOR RM7,MNM3
	B65-F470F-20	.SEAT COVER COMP.	1		UR FOR DPBMC
	B65-F470F-30	.SEAT COVER COMP.		1	
3	3C1-F4741-00	.PAD, SEAT	2	2	
4	B65-F476A-00	PLATE, GUIDE 1	1	1	
5	B65-F476E-00	PLATE, GUIDE 2	1	1	
6	2WB-F4727-00	PIN, SEAT FITTING	1	1	
7	B65-F4726-00	HINGE, SEAT	1	1	
8	95702-06500	NUT, FLANGE	2	2	
9	B65-F473R-10	BOX 1	1	1	
10	90520-04806	DAMPER, PLATE	2	2	
11	B63-F4737-00	DAMPER, SEAT	1	1	
12	4US-F6199-00	PLUG, BLIND	1	1	
13	B65-F384L-00	COVER, DUST	1	1	
14	90183-05807	NUT, SPRING	2	2	
15	90109-068B5	BOLT	4	4	
16	97707-50016	SCREW, TRUSS HEAD TAPPING	4	4	
17	B65-F1621-00	FLAP	1	1	
18	B65-H2129-00	COVER, BATTERY	1	1	
19	90183-05807	NUT, SPRING	2	2	
20	97707-50016	SCREW, TRUSS HEAD TAPPING	2	2	
21	B65-F478E-01	CABLE, SEAT LOCK	1	1	
22	B65-F4780-00	SEAT LOCK ASSY	1	1	
23	95E32-06010	BOLT, FLANGE DEEP RECESS	2	2	

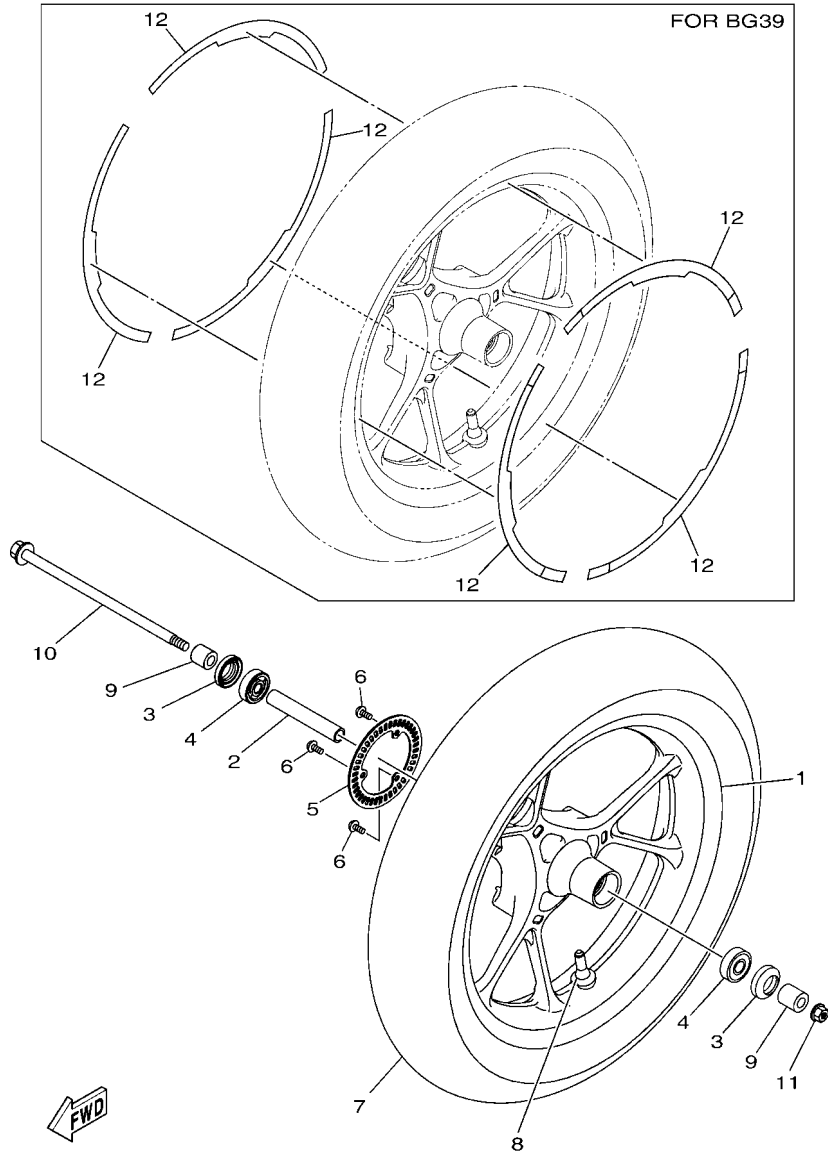


BG35440-T200

FIG. 21 SEAT

REF. NO.	PART NO.	DESCRIPTION	BG38	BG39	REMARKS
24	1S8-F4768-00	STOPPER	1	1	
25	B65-F474A-00	ASSIST, GRIP	1	1	
26	B65-F472J-00	GUIDE	1	1	
27	95D32-06025	BOLT, FLANGE DEEP RECESS	2	2	
28	90387-08840	COLLAR	2	2	
29	B65-F474W-00	ASSIST, GRIP 2	1	1	
30	95D32-06025	BOLT, FLANGE DEEP RECESS	2	2	
31	90387-08840	COLLAR	2	2	
32	B65-F479D-00	WIRE, SEAT LOCK 2	1	1	
33	B65-F8153-00	DRIVER PLUS	1	1	
34	3AY-F8151-00	GRIP, DRIVER	1	1	
35	BG3-F8199-30	MANUAL, OWNER'S	1	1	

FIG. 22 FRONT WHEEL



BG38440-V220

REF. NO.	PART NO.	DESCRIPTION	BG38	BG39	REMARKS
1	B65-F5168-00-33	CAST WHEEL, FRONT	1		YB FOR RM7,MNM.
	B65-F5168-00-P0	CAST WHEEL, FRONT	1		DPBM15 FOR DPBMC
	B65-F5168-00-33	CAST WHEEL, FRONT		1	YB FOR MBM3
2	90387-10848	COLLAR	1	1	
3	93106-20816	OIL SEAL	2	2	
4	93306-300YF	BEARING	2	2	
5	2DP-F517G-00	ROTOR, SENSOR	1	1	
6	90149-05030	SCREW	3	3	
7	94111-14804	TIRE (110/80-14 M/C 53P)	1	1	INOUE
8	93900-00824	VALVE, RIM	1	1	
9	90387-10277	COLLAR	2	2	
10	B65-F5181-00	AXLE, WHEEL	1	1	
11	95602-10200	NUT, S/L FLANGE	1	1	
12	B65-F51G1-00	GRAPHIC 1		6	

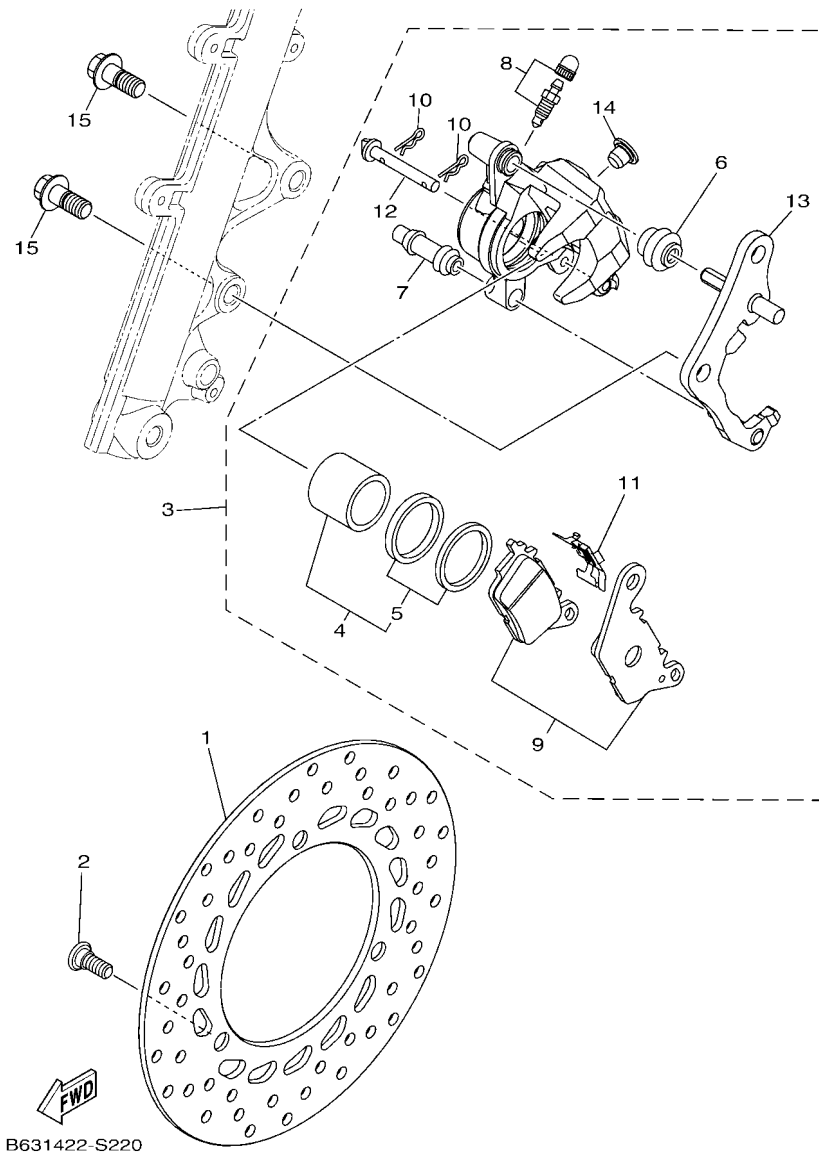
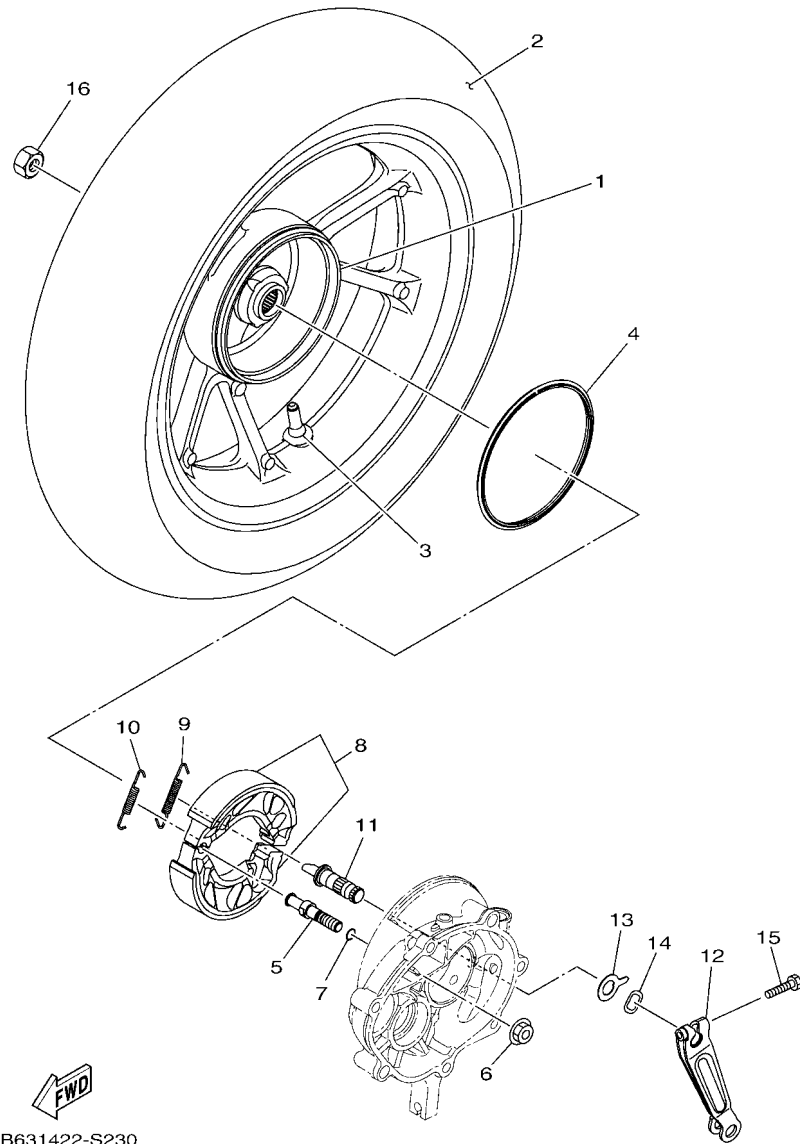


FIG. 23 FRONT BRAKE CALIPER

REF. NO.	PART NO.	DESCRIPTION	EG38	EG39	REMARKS
1	2DP-F582U-00	DISK, BRAKE (RIGHT)	1	1	
2	90109-08232	BOLT	3	3	
3	B63-F580U-00	CALIPER ASSY (RIGHT)	1	1	
4	2BM-F5802-00	.PISTON ASSY, CALIPER	1	1	
5	5YP-F5803-50	.CALIPER SEAL KIT	1	1	
6	2BM-F5917-00	.BOOT, CALIPER	1	1	
7	5YP-F5937-00	.BOOT 2	1	1	
8	4C9-W0048-00	.BLEED SCREW KIT	1	1	
9	B63-F5805-00	.BRAKE PAD KIT	1	1	
10	5YP-F5925-01	.CLIP	2	2	
11	2BM-F5919-00	.SUPPORT, PAD	1	1	
12	5YP-F5924-00	.PIN, PAD	1	1	
13	2DP-F5920-00	.SUPT. BRKT. ASSY.	1	1	
14	2R6-F5916-00	.PLUG	1	1	
15	90105-10831	BOLT, FLANGE	2	2	

FIG. 24 REAR WHEEL



B631422-S230

REF. NO.	PART NO.	DESCRIPTION	EG38	EG39	REMARKS
1	B65-F5338-00-33	CAST WHEEL, REAR	1		YB FOR RM7,MNM3
	B65-F5338-00-P0	CAST WHEEL, REAR	1		DPBM15 FOR DPBMC
	B65-F5338-00-P1	CAST WHEEL, REAR		1	UR MVBS1 FOR MBM3
2	94114-14801	TIRE (140/70-14 M/C 62P)	1	1	INOUE
3	93900-00824	VALVE, RIM	1	1	
4	B65-F5336-00	RING 2	1	1	
5	54P-F5326-00	PIN, PIVOT	1	1	
6	95702-10500	NUT, FLANGE	1	1	
7	93210-07802	O-RING	1	1	
8	5BP-F530K-20	BRAKE SHOE SET	1	1	
9	90506-12001	SPRING, TENSION	1	1	
10	90506-15001	SPRING, TENSION	1	1	
11	B65-F5351-00	CAMSHAFT	1	1	
12	B65-F5355-00	LEVER, CAMSHAFT	1	1	
13	5LW-F533A-00	PLATE, INDICATOR	1	1	
14	90206-14093	WASHER, WAVE	1	1	
15	90101-06046	BOLT	1	1	
16	90185-16800	NUT, SELF-LOCKING	1	1	

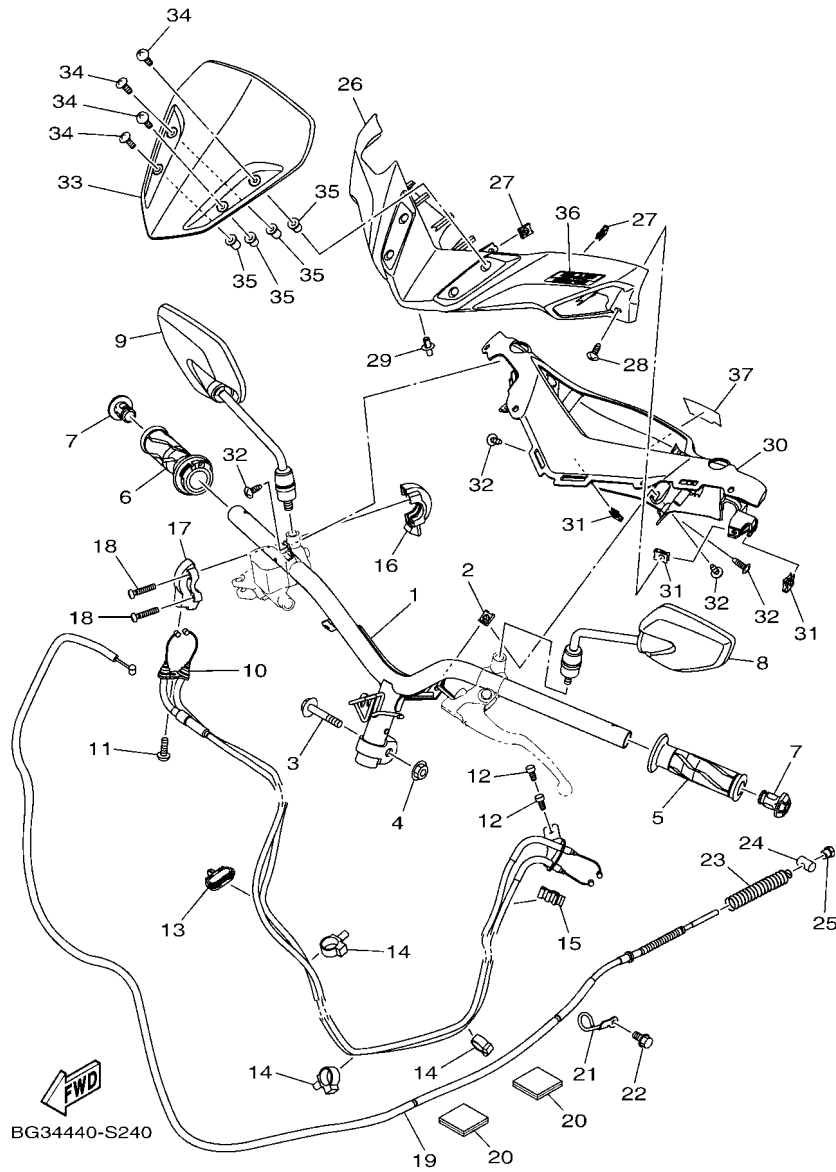
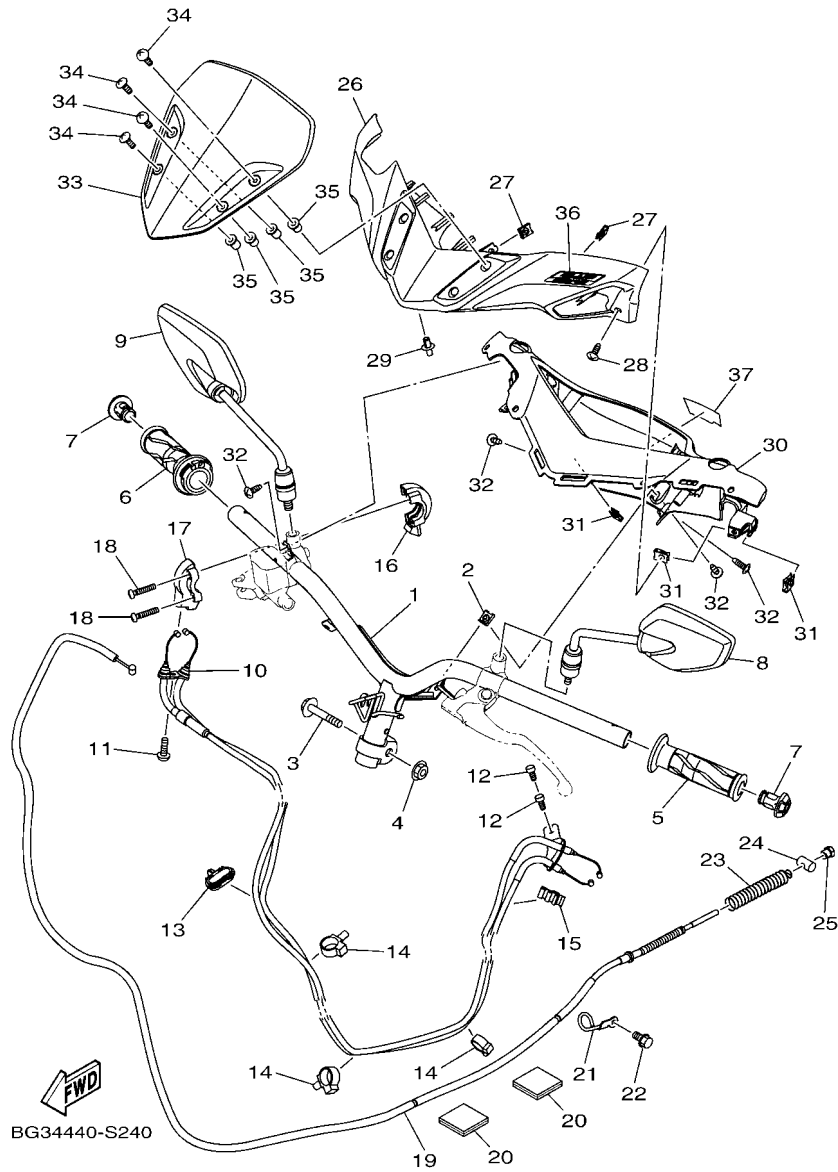


FIG. 25 STEERING HANDLE & CABLE

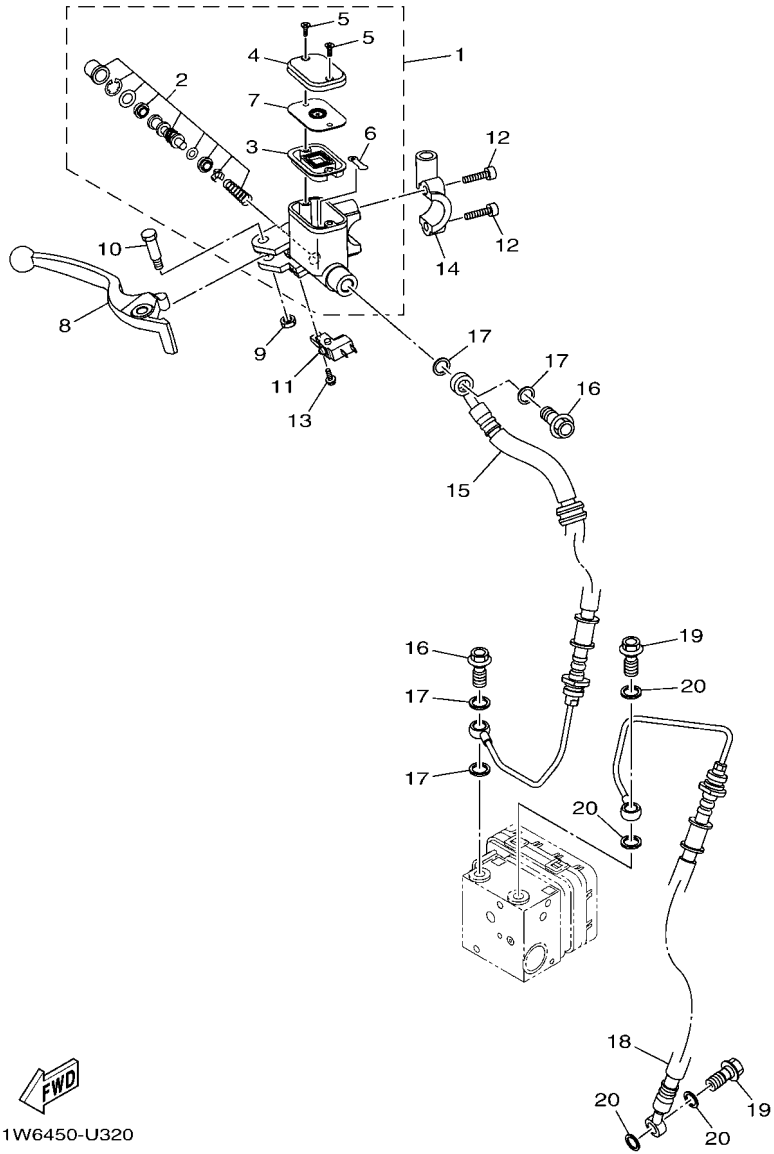
REF. NO.	PART NO.	DESCRIPTION	BG38	BG39	REMARKS
1	B65-F6110-00	HANDLE COMP.	1	1	
2	90183-05807	NUT, SPRING	1	1	
3	90105-108B0	BOLT, FLANGE	1	1	
4	90185-10011	NUT, SELF-LOCKING	1	1	
5	1VP-F6241-00	GRIP	1	1	
6	B92-F6240-00	GRIP ASSY	1	1	
7	B92-F6246-00	END, GRIP	2	2	
8	2WB-F6280-00	REAR VIEW MIRROR ASSY (LEFT)	1	1	
9	2WB-F6290-00	REAR VIEW MIRROR ASSY (RIGHT)	1	1	
10	B65-F6301-10	THROTTLE CABLE ASSY	1	1	
11	92012-05016	BOLT, BUTTON HEAD	1	1	
12	91312-05010	BOLT, HEXAGON SOCKET HEAD	2	2	
13	90464-10802	CLAMP	1	1	
14	90464-16006	CLAMP	3	3	
15	90464-07807	CLAMP	1	1	
16	55D-F6281-00	CAP, GRIP UPPER	1	1	
17	55D-F6282-00	CAP, GRIP UNDER	1	1	
18	98502-05025	SCREW, PAN HEAD	2	2	
19	B65-F6351-00	CABLE, BRAKE	1	1	
20	BG3-F7485-00	SEAL	2	2	
21	B65-F637G-00	HOLDER, WIRE	1	1	
22	95E32-06012	BOLT, FLANGE DEEP RECESS	1	1	
23	90501-16804	SPRING, COMPRESSION	1	1	
24	90249-12008	PIN	1	1	
25	90179-06835	NUT	1	1	
26	B65-F6143-00	COVER, HANDLE UPPER 1	1	1	
27	90183-05807	NUT, SPRING	2	2	

FIG. 25 STEERING HANDLE & CABLE



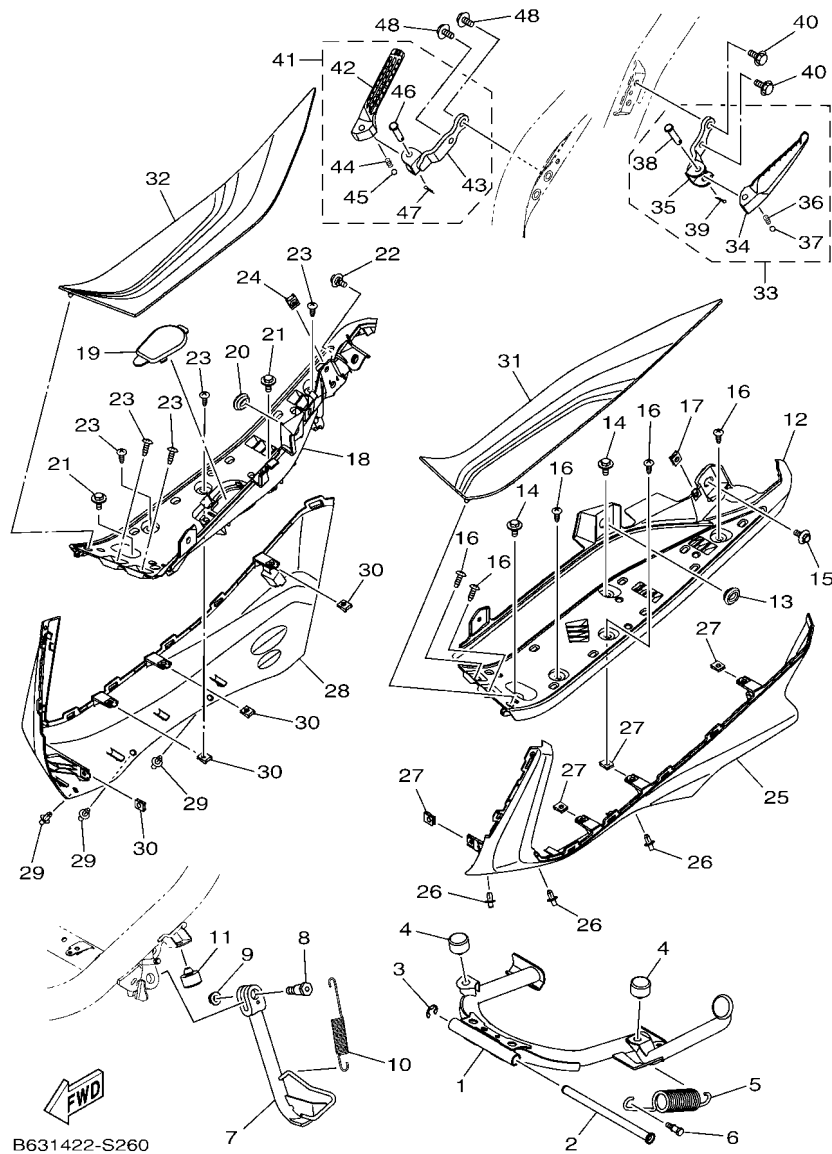
REF. NO.	PART NO.	DESCRIPTION	BG38	BG39	REMARKS
28	97707-50016	SCREW, TRUSS HEAD TAPPING	1	1	
29	90269-06816	RIVET	1	1	
30	BG3-F6145-00-P3	COVER, HANDLE UPPER 2	1		UR FOR RM7
	BG3-F6145-00-P4	COVER, HANDLE UPPER 2	1		UR FOR MNM3
	BG3-F6145-00-P1	COVER, HANDLE UPPER 2	1		UR FOR DPBMC
	BG3-F6145-00-P5	COVER, HANDLE UPPER 2		1	UR FOR MBM3
31	90183-05807	NUT, SPRING	3	3	
32	97707-50016	SCREW, TRUSS HEAD TAPPING	4	4	
33	B65-F61AA-00	VISOR	1	1	
34	90150-05806	SCREW, ROUND HEAD	4	4	
35	90179-05802	NUT	4	4	
36	B92-F1737-00	EMBLEM	1	1	
37	BG3-F60C1-40	EMBLEM 1	1		UR FOR RM7,MNM3
	BG3-F60C1-00	EMBLEM 1	1		UR FOR DPBMC
	BG3-F60C1-50	EMBLEM 1		1	

FIG. 26 FRONT MASTER CYLINDER



FWD
B1W6450-U320

REF. NO.	PART NO.	DESCRIPTION			REMARKS
			EG38	EG39	
1	B63-F5870-00	MASTER CYLINDER SUB ASSY	1	1	
2	1WD-F5807-00	.CYLINDER KIT, MASTER	1	1	
3	2ND-F5854-00	.DIAPHRAGM, RESERVOIR	1	1	
4	B63-F5852-00	.CAP, RESERVOIR	1	1	
5	36Y-2589H-00	.SCREW	2	2	
6	3RW-F5889-00	.SEPARATOR	1	1	
7	2ND-F5855-00	.BUSH,DIAPHRAGM	1	1	
8	2PV-H3922-00	LEVER 2	1	1	
9	95602-06100	NUT, SELF-LOCKING	1	1	
10	90109-06577	BOLT	1	1	
11	B5D-H3980-00	FRONT STOP SWITCH ASSY	1	1	
12	91317-06025	BOLT,HEX.SOCKET HEAD	2	2	
13	97602-04312	SCREW, PAN HEAD WITH WASHER	1	1	
14	5TL-F5867-11	BRACKET,MASTER CYLINDER(BLACK)	1	1	
15	B65-F5873-00	HOSE, BRAKE 2	1	1	
16	90401-10812	BOLT, UNION	2	2	
17	90201-10118	WASHER, PLATE	4	4	
18	B65-F5874-00	HOSE, BRAKE 3	1	1	
19	90401-10812	BOLT, UNION	2	2	
20	90201-10118	WASHER, PLATE	4	4	



B631422-S260

FIG. 27 STAND & FOOTREST

REF. NO.	PART NO.	DESCRIPTION	EG38	EG39	REMARKS
1	B65-F7111-00	STAND, MAIN	1	1	
2	2PH-F7112-00	SHAFT, MAIN STAND	1	1	
3	99002-09600	CIRCLIP	1	1	
4	5VW-F7214-00	STOPPER	2	2	
5	90506-40804	SPRING, TENSION	1	1	
6	90109-068B9	BOLT	1	1	
7	B65-F7311-00	STAND, SIDE	1	1	
8	B65-F7217-00	BOLT	1	1	
9	95602-10200	NUT, S/L FLANGE	1	1	
10	90506-20818	SPRING, TENSION	1	1	
11	5VW-F7214-00	STOPPER	1	1	
12	B65-F7481-00	BOARD, FOOTREST	1	1	
13	90480-01559	GROMMET	1	1	
14	90119-06044	BOLT, WITH WASHER	2	2	
15	90109-068B5	BOLT	1	1	
16	97707-50016	SCREW, TRUSS HEAD TAPPING	5	5	
17	90183-05807	NUT, SPRING	1	1	
18	B65-F7488-00	BOARD, FOOTREST 2	1	1	
19	2DP-F172W-00	COVER	1	1	
20	90480-01559	GROMMET	1	1	
21	90119-06044	BOLT, WITH WASHER	2	2	
22	90109-068B5	BOLT	1	1	
23	97707-50016	SCREW, TRUSS HEAD TAPPING	5	5	
24	90183-05807	NUT, SPRING	1	1	
25	B65-F171L-00	MOLE, SIDE COVER 1	1	1	
26	90269-06816	RIVET	3	3	
27	90183-05807	NUT, SPRING	4	4	

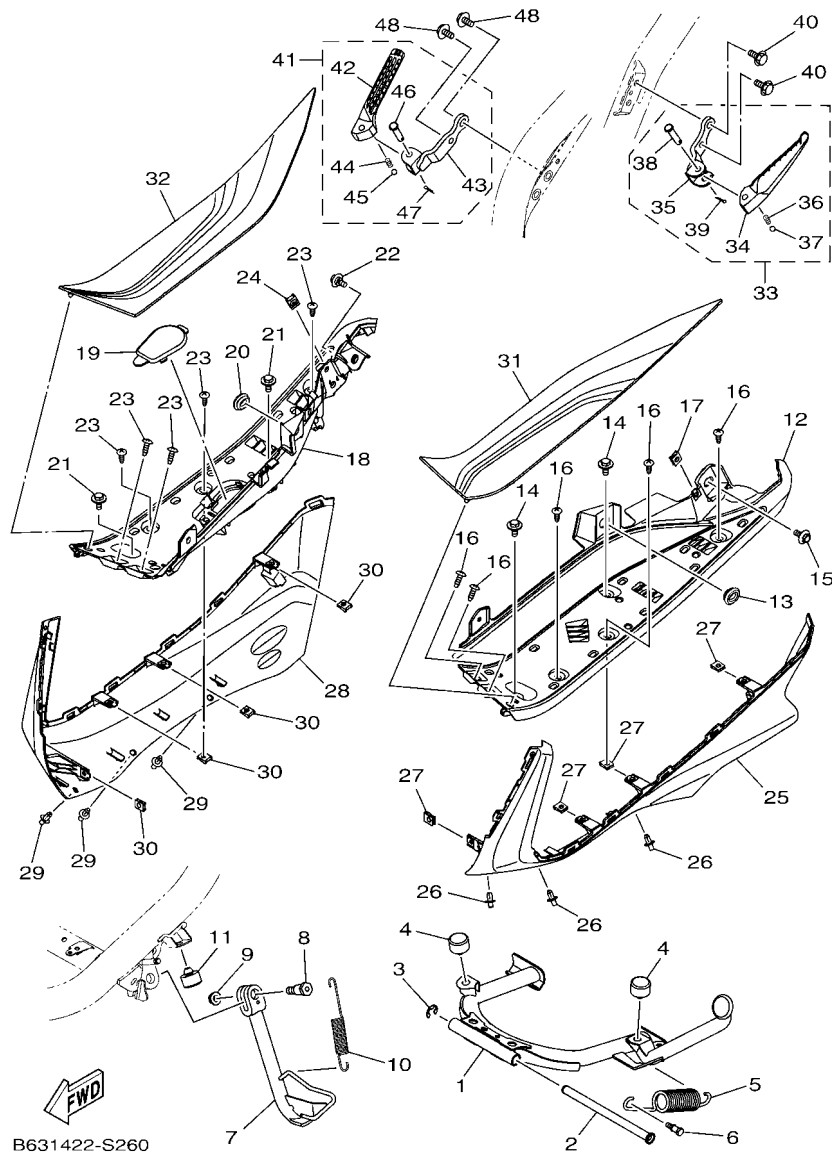
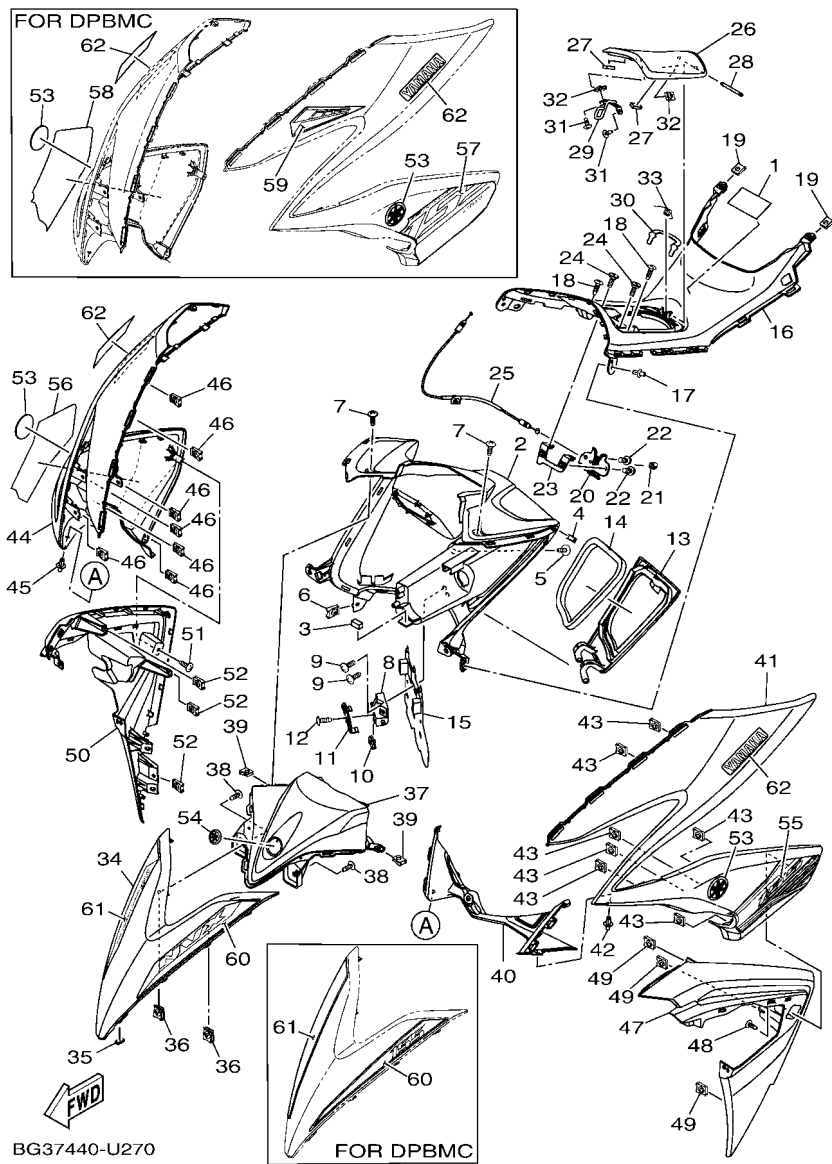


FIG. 27 STAND & FOOTREST

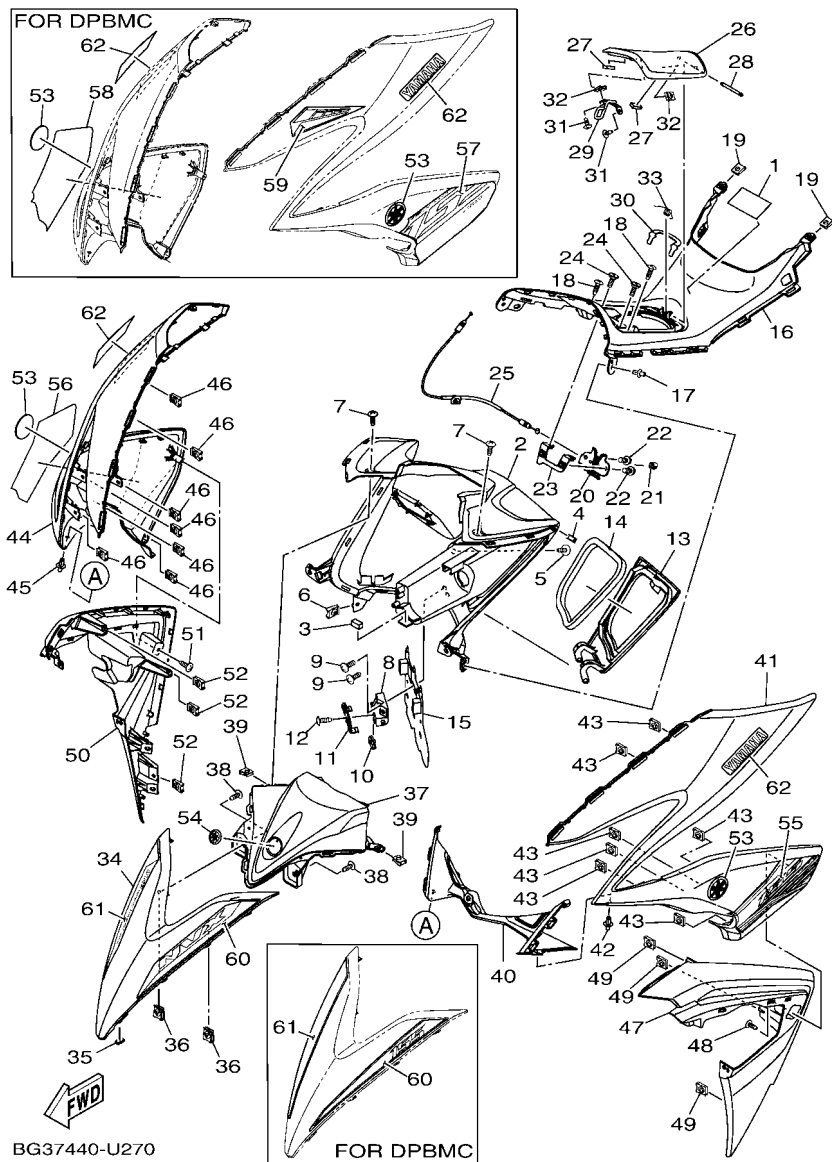
REF. NO.	PART NO.	DESCRIPTION	EG38	EG39	REMARKS
28	B65-F171M-00	MOLE, SIDE COVER 2	1	1	
29	90269-06816	RIVET	3	3	
30	90183-05807	NUT, SPRING	4	4	
31	B65-F7483-00	MAT 1	1	1	
32	B65-F7484-00	MAT 2	1	1	
33	B65-F7430-00	REAR FOOTREST ASSY 1	1	1	
34	B65-F7431-00	.FOOTREST, REAR 1	1	1	
35	B65-F7452-00	.BRACKET, FOOTREST 1	1	1	
36	90501-12743	.SPRING, COMPRESSION	1	1	
37	93501-04830	.BALL	1	1	
38	91701-08035	.PIN	1	1	
39	91401-25015	.PIN, COTTER	1	1	
40	95D32-08020	BOLT, FLANGE DEEP RECESS	2	2	
41	B65-F7440-00	REAR FOOTREST ASSY 2	1	1	
42	B65-F7441-00	.FOOTREST, REAR 2	1	1	
43	B65-F7462-00	.BRACKET, FOOTREST 2	1	1	
44	90501-12743	.SPRING, COMPRESSION	1	1	
45	93501-04830	.BALL	1	1	
46	91701-08035	.PIN	1	1	
47	91401-25015	.PIN, COTTER	1	1	
48	95D32-08020	BOLT, FLANGE DEEP RECESS	2	2	

FIG. 28 LEG SHIELD



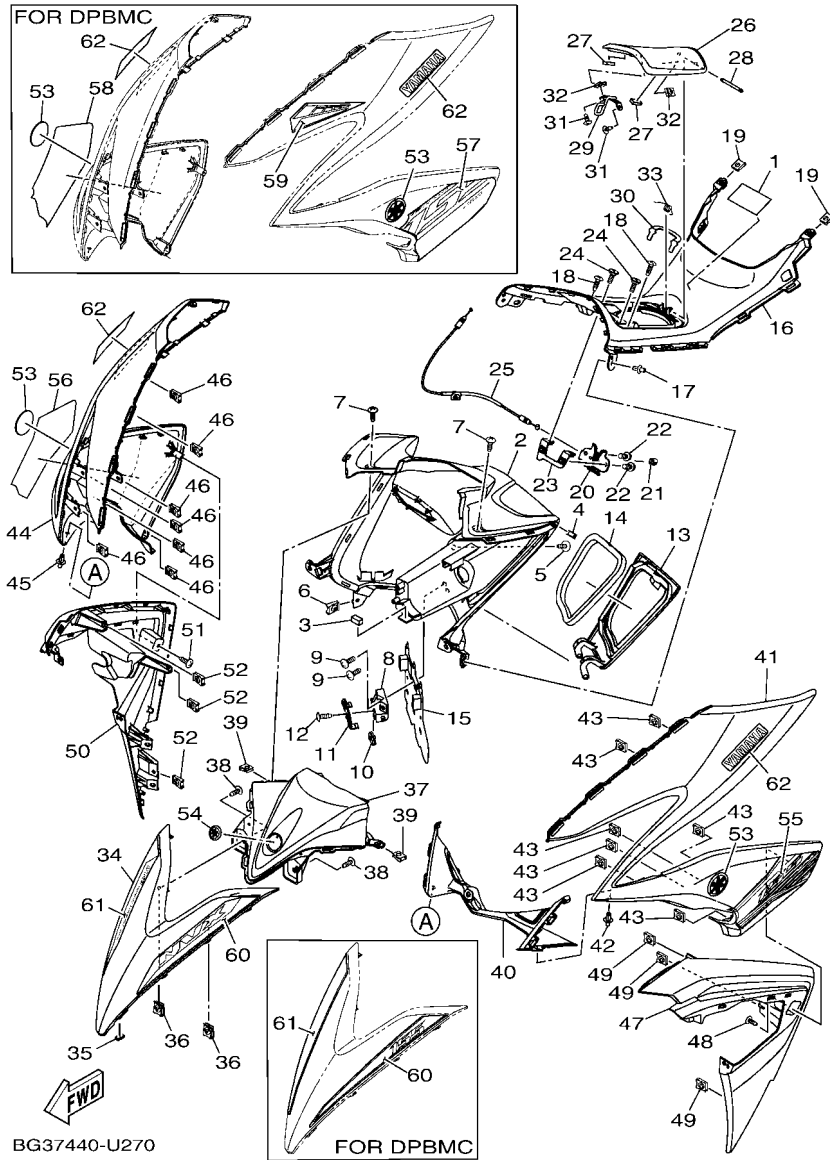
REF. NO.	PART NO.	DESCRIPTION	EG38	EG39	REMARKS
1	BG3-F1568-00	LABEL, WARNING	1		
2	B65-F8311-00	LEG SHIELD 1	1		
3	90520-10839	DAMPER, PLATE	1		
4	4HC-24618-00	PLATE, LOCK 3	1		
5	90159-06810	SCREW, WITH WASHER	1		
6	90183-05807	NUT, SPRING	1		
7	97707-50016	SCREW, TRUSS HEAD TAPPING	2		
8	B65-F8321-00	STAY 1	1		
9	90160-05012	SCREW, ROUND TAPPING	2		
10	90183-05807	NUT, SPRING	1		
11	B65-F1796-00	HINGE	1		
12	97707-50016	SCREW, TRUSS HEAD TAPPING	1		
13	B65-F177E-00	LID	1		
14	90520-03831	DAMPER, PLATE	1		
15	B65-F179E-00	BAND	1		
16	B65-F842M-00	COVER 1	1		
17	90269-06816	RIVET	1		
18	97707-50016	SCREW, TRUSS HEAD TAPPING	2		
19	90183-05807	NUT, SPRING	2		
20	40D-F4780-01	SEAT LOCK ASSY	1		
21	1S8-F4768-00	STOPPER	1		
22	95E32-06012	BOLT, FLANGE DEEP RECESS	2		
23	B65-F8357-10	STAY 2	1		
24	90149-05804	SCREW	2		
25	B65-F4494-10	WIRE, PULL	1		
26	B65-F74A8-00	LID, FUEL	1		
27	90520-06810	DAMPER, PLATE	2		

FIG. 28 LEG SHIELD

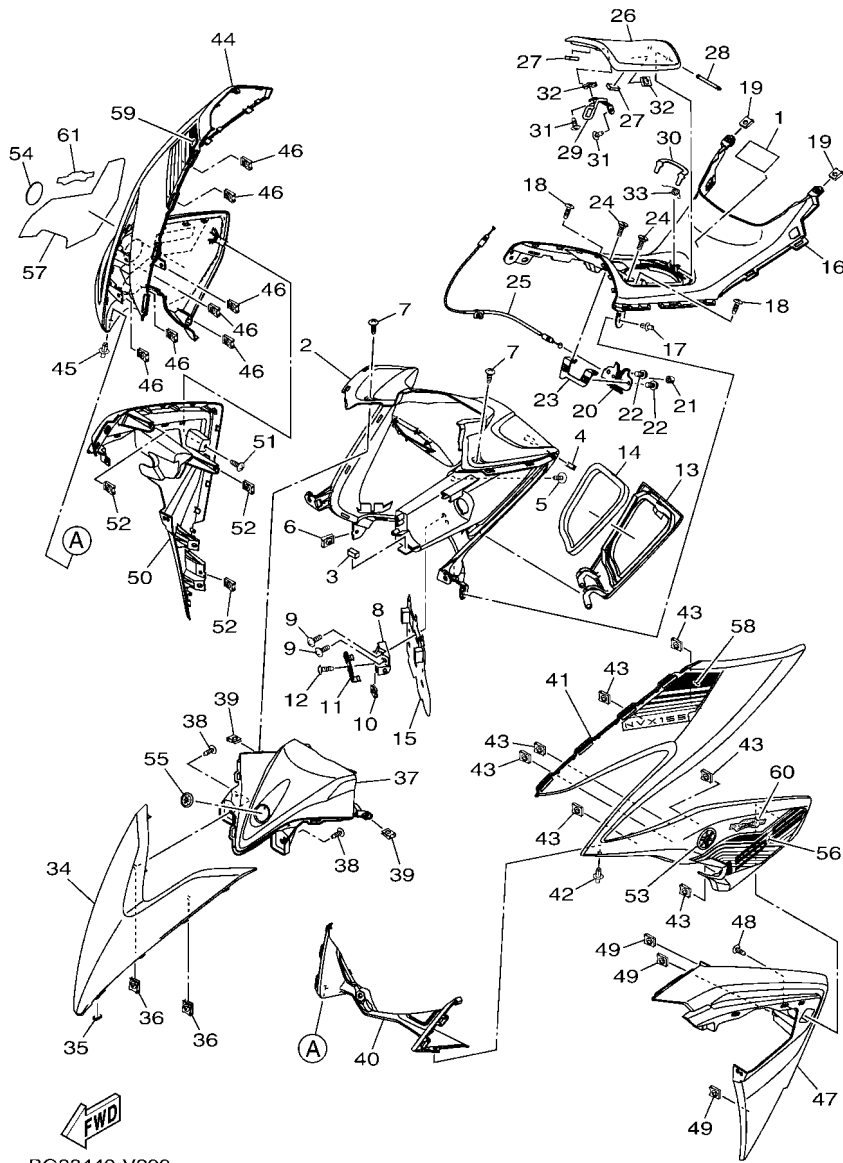


REF. NO.	PART NO.	DESCRIPTION	BG38	BG39	REMARKS
28	B65-F818A-00	PIN	1		
29	B65-F131C-00	BAR LOCK	1		
30	B65-F8227-00	DAMPER 2	1		
31	97707-50012	SCREW, TRUSS HEAD TAPPING	2		
32	90183-05807	NUT, SPRING	2		
33	B65-F7426-00	SPRING, RETURN	1		
34	BG3-F2865-00-P0	COVER, FRONT	1		UR MBL2 FOR RM7
	BG3-F2865-00-P2	COVER, FRONT	1		UR RYC1 FOR MNM3
	BG3-F2865-00-P1	COVER, FRONT	1		UR FOR DPBMC
35	90520-02005	DAMPER, PLATE	1		
36	90183-05807	NUT, SPRING	2		
37	B65-F842N-00	COVER 2	1		
38	97707-50016	SCREW, TRUSS HEAD TAPPING	2		
39	90183-05807	NUT, SPRING	2		
40	B65-F286F-00	COVER, FRONT 2	1		
41	BG3-F8351-00-P3	BODY, COWLING	1		UR FOR RM7
	BG3-F8351-00-P4	BODY, COWLING	1		UR FOR MNM3
	BG3-F8351-00-P1	BODY, COWLING	1		UR FOR DPBMC
42	90269-06816	RIVET	1		
43	90183-05807	NUT, SPRING	7		
44	BG3-F8377-00-P3	BODY, COWLING 2	1		UR FOR RM7
	BG3-F8377-00-P4	BODY, COWLING 2	1		UR FOR MNM3
	BG3-F8377-00-P1	BODY, COWLING 2	1		UR FOR DPBMC
45	90269-06816	RIVET	1		
46	90183-05807	NUT, SPRING	7		
47	B65-F835U-00	PANEL 1	1		
48	97707-50016	SCREW, TRUSS HEAD TAPPING	1		

FIG. 28 LEG SHIELD



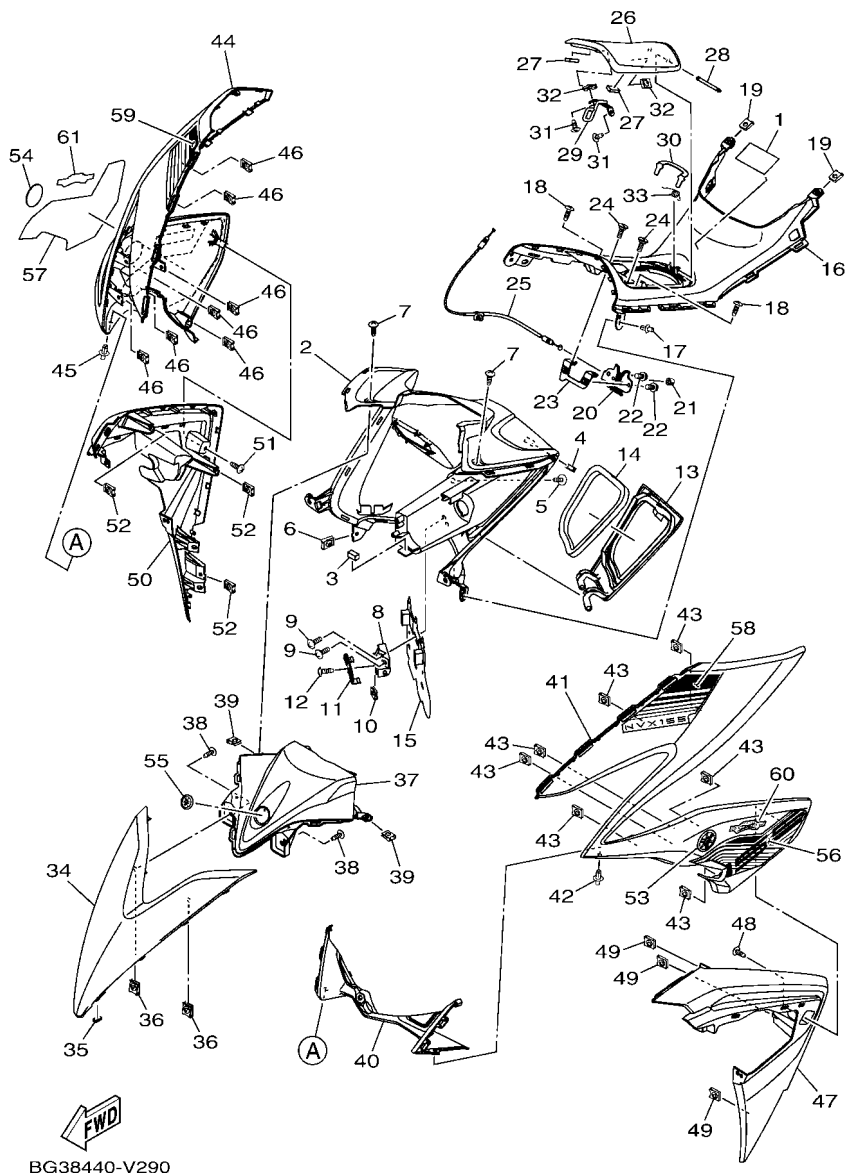
REF. NO.	PART NO.	DESCRIPTION	BG38	BG39	REMARKS
49	90183-05807	NUT, SPRING	3		
50	B65-F835V-00	PANEL 2	1		
51	97707-50016	SCREW, TRUSS HEAD TAPPING	1		
52	90183-05807	NUT, SPRING	3		
53	5P2-F839B-00	EMBLEM 3D	2		
54	5P2-F1737-00	EMBLEM	1		
55	BG3-F8391-40	GRAPHIC 1	1		UR FOR RM7
	BG3-F8391-50	GRAPHIC 1	1		UR FOR MNM3
56	BG3-F8392-40	GRAPHIC 2	1		UR FOR RM7
	BG3-F8392-50	GRAPHIC 2	1		UR FOR MNM3
57	BG3-F8393-40	GRAPHIC 3	1		FOR DPBMC
58	BG3-F8394-20	GRAPHIC 4	1		FOR DPBMC
59	BG3-F8398-20	GRAPHIC 5	1		FOR DPBMC
60	BG3-F839F-00	GRAPHIC 9	1		UR FOR RM7
	BG3-F839F-10	GRAPHIC 9	1		UR FOR MNM3
	BG3-F839A-10	GRAPHIC 7	1		UR FOR DPBMC
61	BG3-F839G-00	GRAPHIC 10	1		UR FOR RM7
	BG3-F839G-10	GRAPHIC 10	1		UR FOR MNM3
	BG3-F839E-10	GRAPHIC 8	1		UR FOR DPBMC
62	99234-00080	EMBLEM, YAMAHA	2		UR FOR RM7, MNM3
	99231-00080	EMBLEM, YAMAHA	2		UR FOR DPBMC



BG38440-V290

FIG. 29 LEG SHIELD 2

REF. NO.	PART NO.	DESCRIPTION	BG38	BG39	REMARKS
1	BG3-F1568-00	LABEL, WARNING		1	
2	B65-F8311-00	LEG SHIELD 1		1	
3	90520-10839	DAMPER, PLATE		1	
4	4HC-24618-00	PLATE, LOCK 3		1	
5	90159-06810	SCREW, WITH WASHER		1	
6	90183-05807	NUT, SPRING		1	
7	97707-50016	SCREW, TRUSS HEAD TAPPING		2	
8	B65-F8321-00	STAY 1		1	
9	90160-05012	SCREW, ROUND TAPPING		2	
10	90183-05807	NUT, SPRING		1	
11	B65-F1796-00	HINGE		1	
12	97707-50016	SCREW, TRUSS HEAD TAPPING		1	
13	B65-F177E-00	LID		1	
14	90520-03831	DAMPER, PLATE		1	
15	B65-F179E-00	BAND		1	
16	B65-F842M-00	COVER 1		1	
17	90269-06816	RIVET		1	
18	97707-50016	SCREW, TRUSS HEAD TAPPING		2	
19	90183-05807	NUT, SPRING		2	
20	40D-F4780-01	SEAT LOCK ASSY		1	
21	1S8-F4768-00	STOPPER		1	
22	95E32-06012	BOLT, FLANGE DEEP RECESS		2	
23	B65-F8357-10	STAY 2		1	
24	90149-05804	SCREW		2	
25	B65-F4494-10	WIRE, PULL		1	
26	B65-F74A8-00	LID, FUEL		1	
27	90520-06810	DAMPER, PLATE		2	

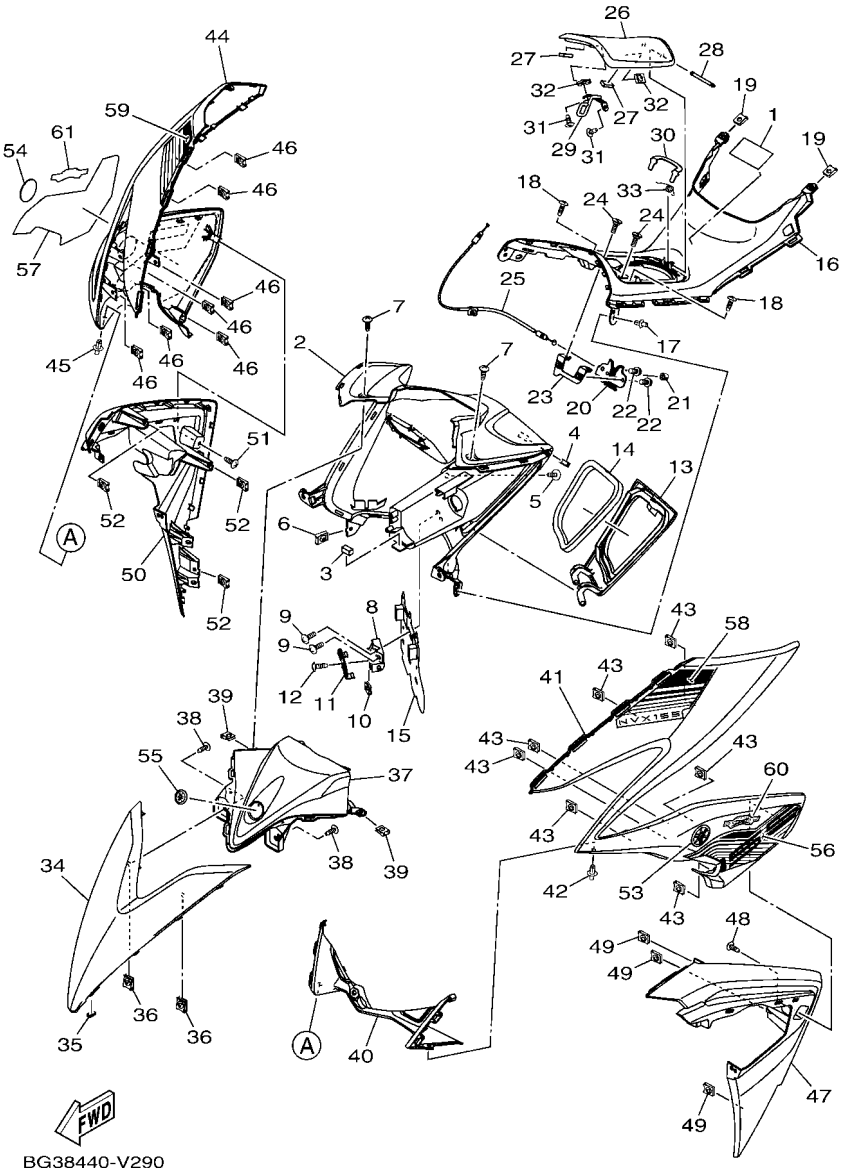


BG38440-V290

FIG. 29 LEG SHIELD 2

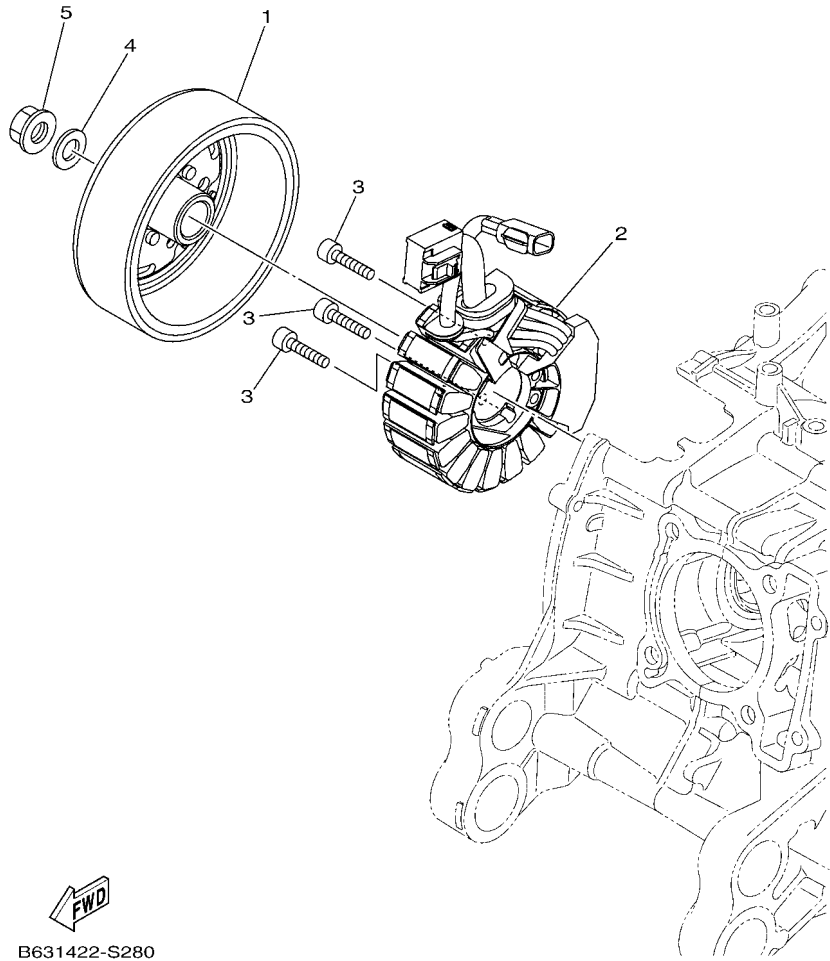
REF. NO.	PART NO.	DESCRIPTION	BG38	BG39	REMARKS
28	B65-F818A-00	PIN		1	
29	B65-F131C-00	BAR LOCK		1	
30	B65-F8227-00	DAMPER 2		1	
31	97707-50012	SCREW, TRUSS HEAD TAPPING		2	
32	90183-05807	NUT, SPRING		2	
33	B65-F7426-00	SPRING, RETURN		1	
34	BG3-F2865-00-P3	COVER, FRONT		1	LNOM3 FOR MBM3
35	90520-02005	DAMPER, PLATE		1	
36	90183-05807	NUT, SPRING		2	
37	B65-F842N-00	COVER 2		1	
38	97707-50016	SCREW, TRUSS HEAD TAPPING		2	
39	90183-05807	NUT, SPRING		2	
40	B65-F286F-00	COVER, FRONT 2		1	
41	BG3-F8351-00-P5	BODY, COWLING		1	MBM3
42	90269-06816	RIVET		1	
43	90183-05807	NUT, SPRING		7	
44	BG3-F8377-00-P5	BODY, COWLING 2		1	MBM3
45	90269-06816	RIVET		1	
46	90183-05807	NUT, SPRING		7	
47	B65-F835U-00	PANEL 1		1	
48	97707-50016	SCREW, TRUSS HEAD TAPPING		1	
49	90183-05807	NUT, SPRING		3	
50	B65-F835V-00	PANEL 2		1	
51	97707-50016	SCREW, TRUSS HEAD TAPPING		1	
52	90183-05807	NUT, SPRING		3	
53	5P2-F839B-00	EMBLEM 3D		1	
54	5P2-F839B-00	EMBLEM 3D		1	

FIG. 29 LEG SHIELD 2



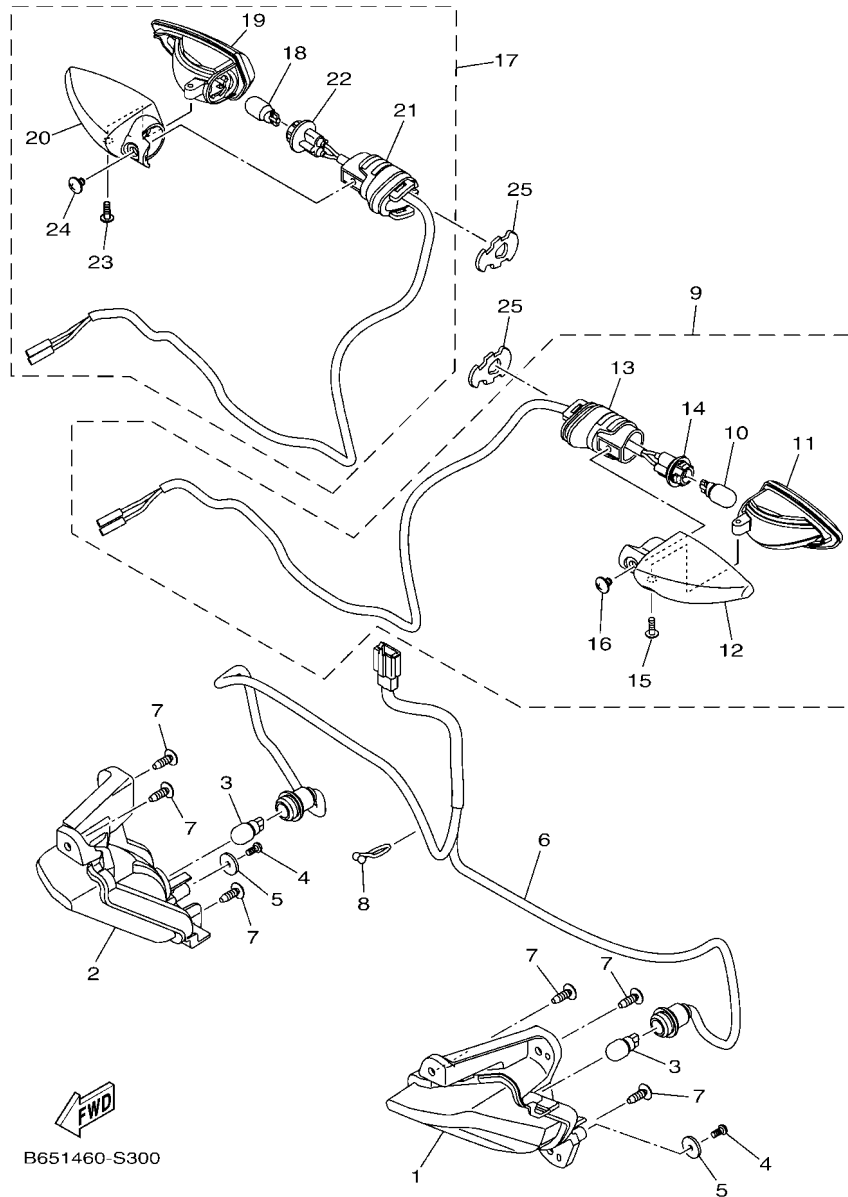
REF. NO.	PART NO.	DESCRIPTION	BG38	BG39	REMARKS
55	5P2-F1737-00	EMBLEM		1	
56	BG3-F8391-60	GRAPHIC 1		1	
57	BG3-F8392-60	GRAPHIC 2		1	
58	BG3-F8393-50	GRAPHIC 3		1	
59	BG3-F8394-30	GRAPHIC 4		1	
60	BG3-F834C-10	EMBLEM, 1		1	
61	BG3-F834C-10	EMBLEM, 1		1	

FIG. 30 GENERATOR




 B631422-S280

REF. NO.	PART NO.	DESCRIPTION	EG38	EG39	REMARKS
1	B63-H1450-00	ROTOR ASSY	1	1	
2	B63-H1410-00	STATOR ASSY	1	1	
3	90110-06880	BOLT, HEXAGON SOCKET HEAD	3	3	
4	90201-12688	WASHER, PLATE	1	1	
5	90179-12004	NUT	1	1	
<hr/>					
<hr/>					
<hr/>					
<hr/>					
<hr/>					
<hr/>					
<hr/>					
<hr/>					
<hr/>					

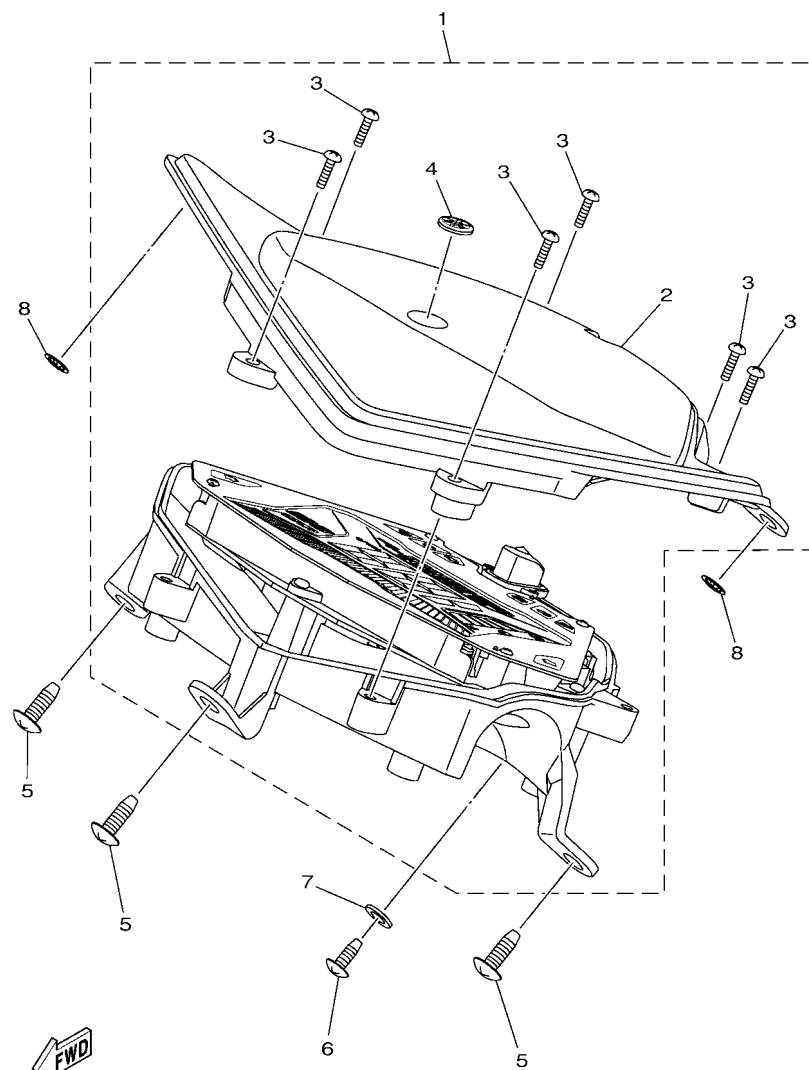


B651460-S300

FIG. 31 FLASHER LIGHT

REF. NO.	PART NO.	DESCRIPTION	BG38	BG39	REMARKS
1	B63-H3310-00	FRONT FLASHER LIGHT ASSY 1	1	1	
2	B63-H3320-00	FRONT FLASHER LIGHT ASSY 2	1	1	
3	2CB-H3311-00	BULB, FLASHER (12V-10W)	2	2	
4	97702-40612	SCREW, TAPPING	2	2	
5	1PB-H4127-00	WASHER, SPECIAL	2	2	
6	B63-H331E-00	CORD ASSY	1	1	
7	97707-50016	SCREW, TRUSS HEAD TAPPING	6	6	
8	90464-15804	CLAMP	1	1	
9	BG3-H3330-00	REAR FLASHER LIGHT ASSY 1	1	1	
10	55D-H3311-00	.BULB, FLASHER (12V-10W)	1	1	
11	55D-H333A-00	.LENS COMP 1	1	1	
12	55D-H3323-00	.BODY	1	1	
13	55D-H3328-00	.STAY, FLASHER 2	1	1	
14	BG3-H333E-00	.CORD ASSY	1	1	
15	55D-H3333-00	.SCREW, LENS FITTING	1	1	
16	55D-H3358-00	.SCREW, SPECIAL	1	1	
17	BG3-H3340-00	REAR FLASHER LIGHT ASSY 2	1	1	
18	55D-H3311-00	.BULB, FLASHER (12V-10W)	1	1	
19	55D-H334A-00	.LENS COMP 2	1	1	
20	55D-H332M-00	.BODY 2	1	1	
21	55D-H3328-00	.STAY, FLASHER 2	1	1	
22	BG3-H334E-00	.CORD ASSY	1	1	
23	55D-H3333-00	.SCREW, LENS FITTING	1	1	
24	55D-H3358-00	.SCREW, SPECIAL	1	1	
25	1VP-H3318-00	STAY, FLASHER 1	2	2	

FIG. 32 METER

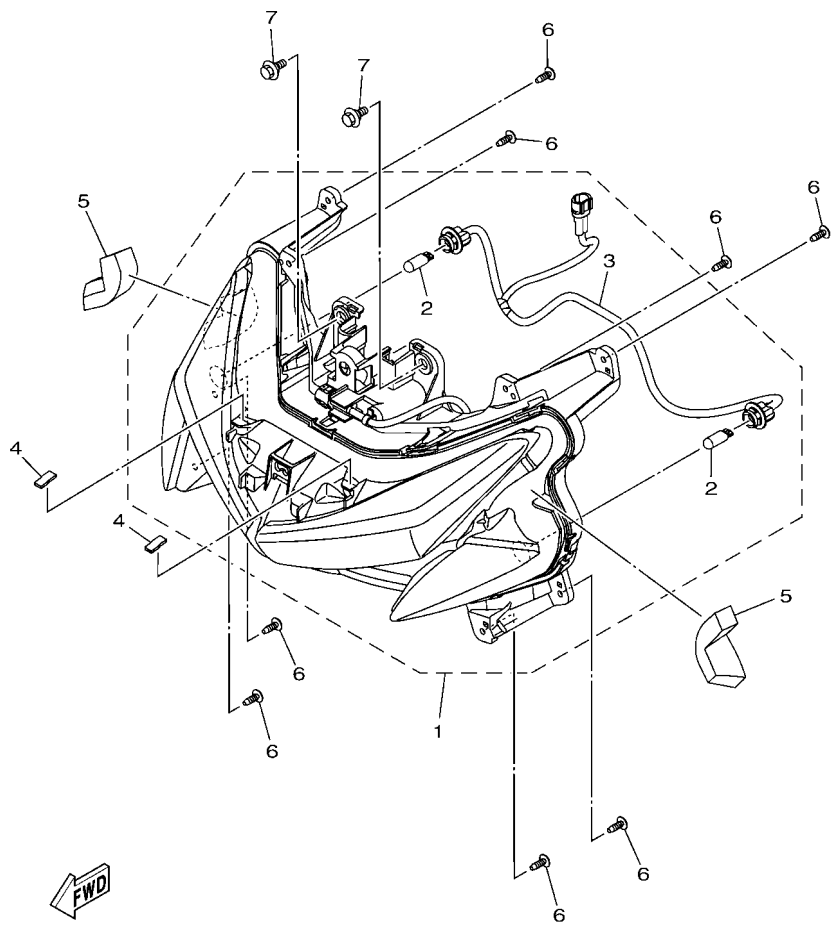


B1W6450-U400

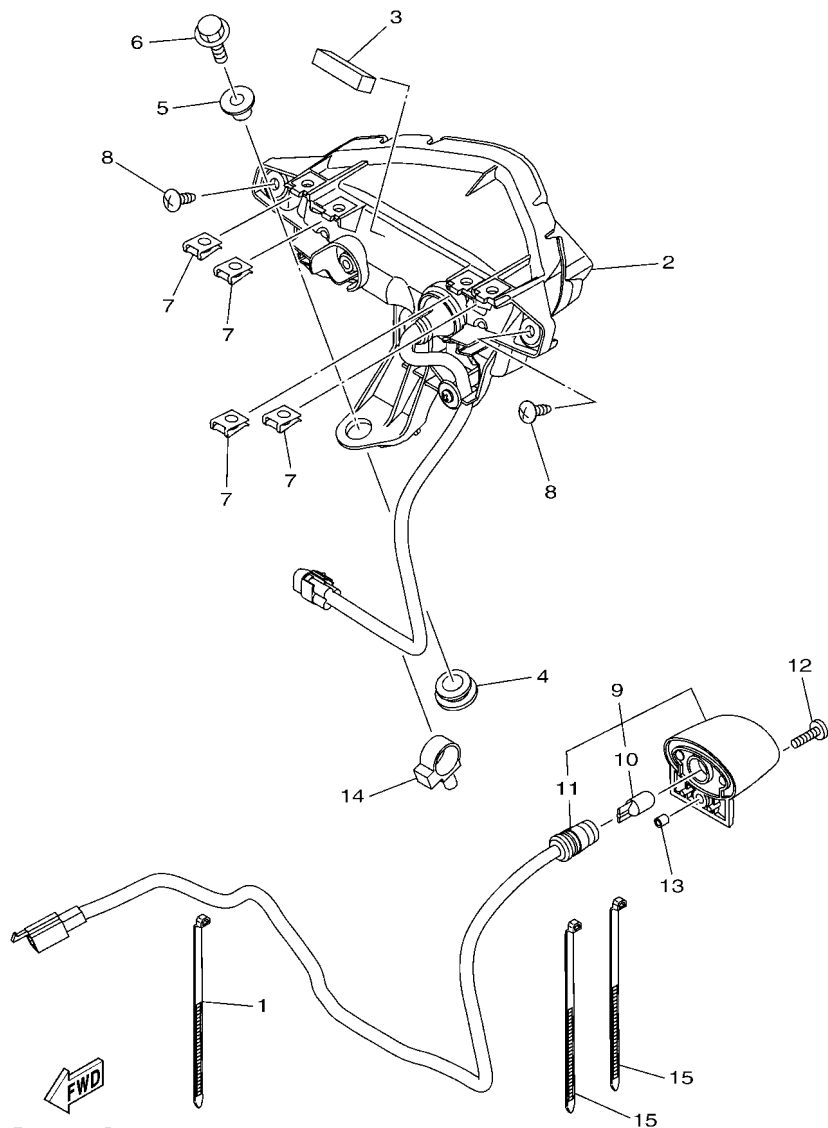
REF. NO.	PART NO.	DESCRIPTION	EG38	EG39	REMARKS
1	B65-H3500-21	METER ASSY	1	1	
2	B65-H3571-00	.CASE, SPEEDOMETER UPPER	1	1	
3	B65-H3333-00	.SCREW, LENS FITTING	6	6	
4	44D-F3108-00	.EMBLEM	1	1	
5	97702-50016	SCREW, TAPPING	3	3	
6	97707-40012	SCREW, TAPPING	1	1	
7	90201-04803	WASHER, PLATE	1	1	
8	90183-05801	NUT, SPRING	2	2	

FIG. 33 HEADLIGHT

REF. NO.	PART NO.	DESCRIPTION	EG38	EG39	REMARKS
1	B63-H4300-01	HEADLIGHT ASSY	1	1	
2	31B-H5353-00	.BULB (12V-5W)	2	2	
3	B63-H4312-01	.CORD ASSY	1	1	
4	90520-02014	DAMPER, PLATE	2	2	
5	1S7-F6113-00	DAMPER	2	2	
6	97707-50016	SCREW, TRUSS HEAD TAPPING	8	8	
7	90109-068B5	BOLT	2	2	



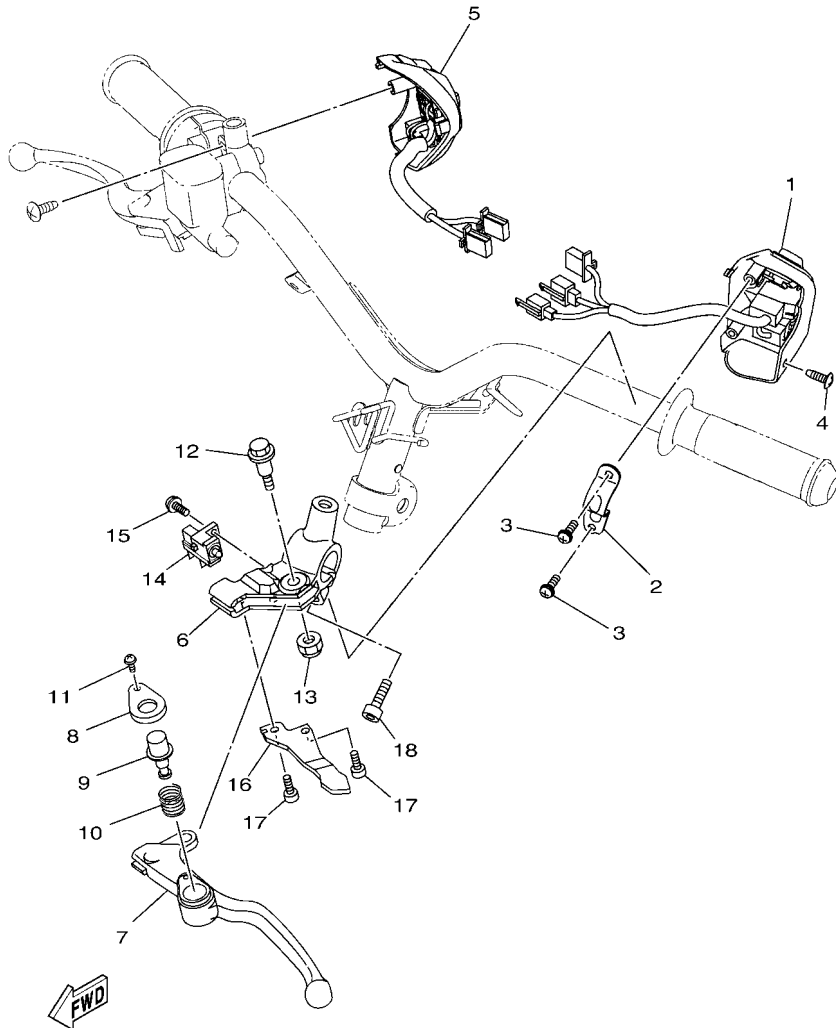
BF6J431-V310



B633422-S320

FIG. 34 TAILLIGHT

REF. NO.	PART NO.	DESCRIPTION	EG38	EG39	REMARKS
1	90464-50800	CLAMP	1	1	
2	B65-H4710-01	TAILLIGHT UNIT ASSY	1	1	
3	90520-10834	DAMPER, PLATE	1	1	
4	90480-14823	GROMMET	1	1	
5	90387-068G3	COLLAR	1	1	
6	95D32-06020	BOLT, FLANGE DEEP RECESS	1	1	
7	90183-05807	NUT, SPRING	4	4	
8	97707-50016	SCREW, TRUSS HEAD TAPPING	2	2	
9	B63-H4740-00	LICENCE LIGHT ASSY	1	1	
10	1CK-H4744-00	.BULB (12V-W5W)	1	1	
11	1WD-H4547-00	.CORD, LICENCE LIGHT	1	1	
12	98907-04014	SCREW, BIND	1	1	
13	90445-05004	HOSE	1	1	
14	90464-16006	CLAMP	1	1	
15	90464-50800	CLAMP	2	2	

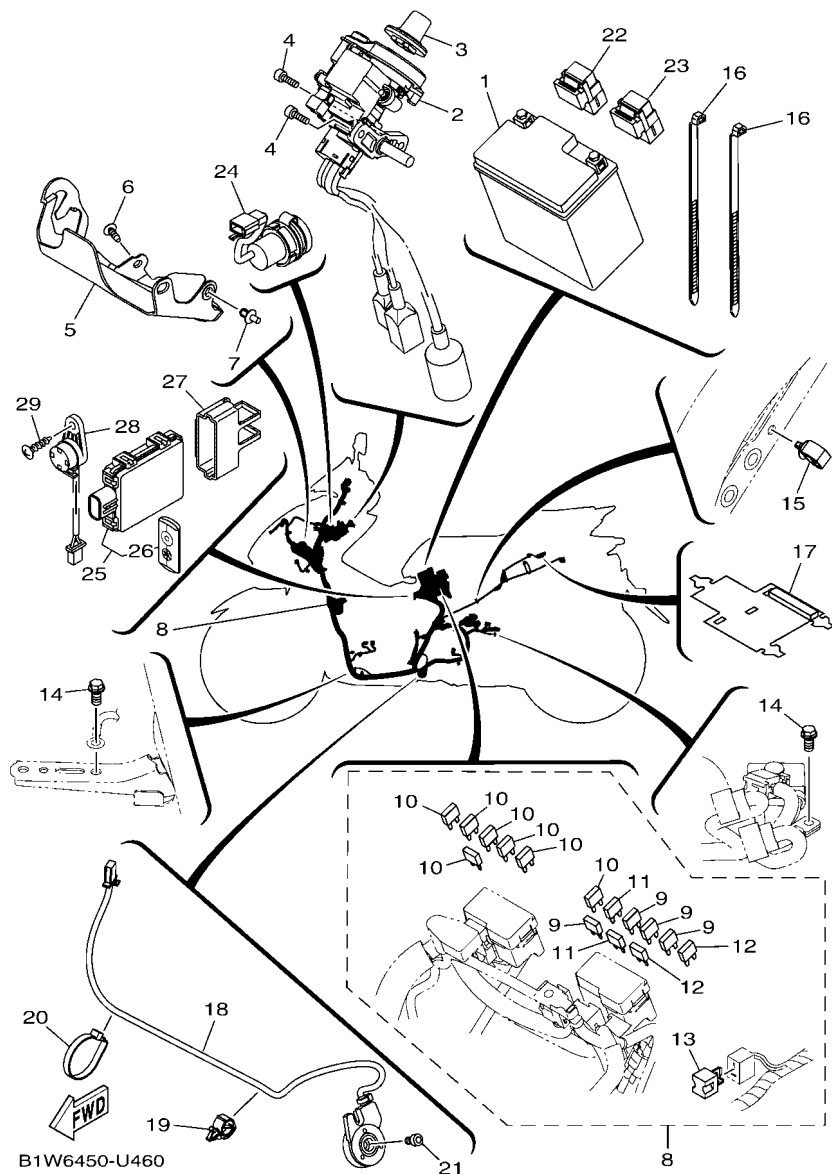


B1W6450-U440

FIG. 35 HANDLE SWITCH & LEVER

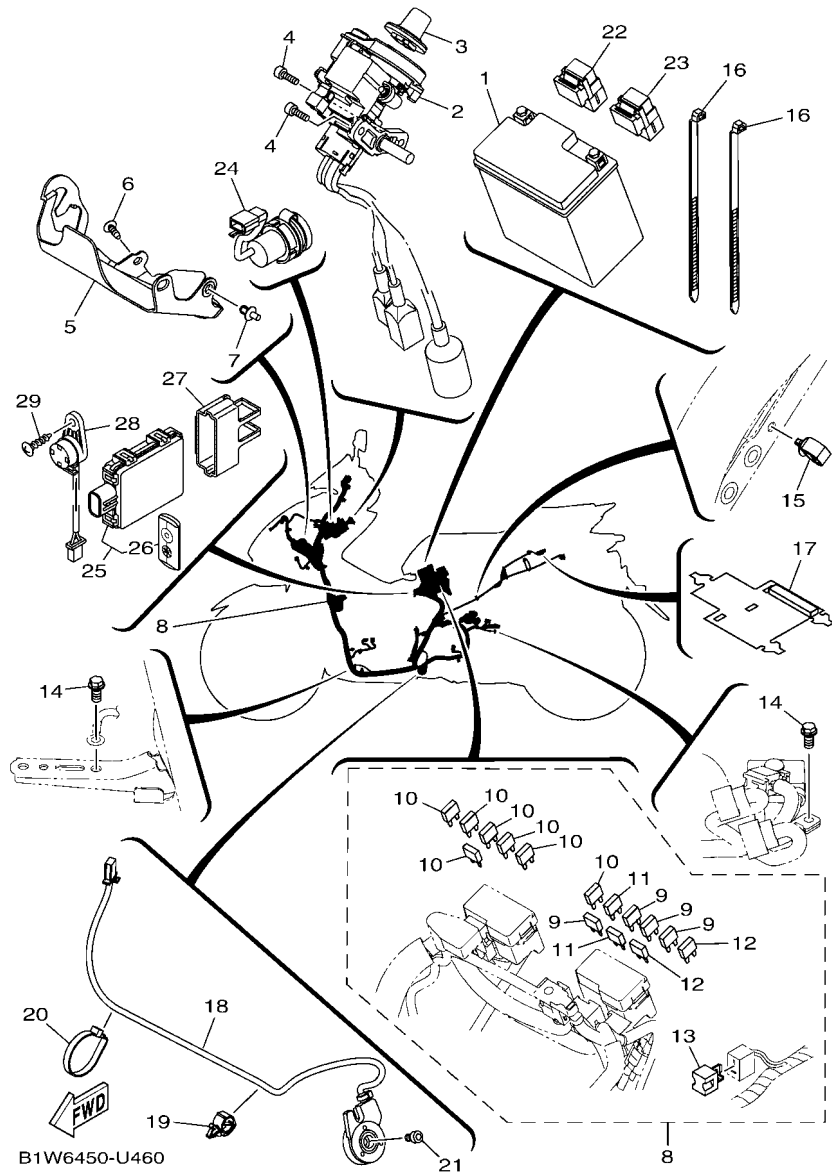
REF. NO.	PART NO.	DESCRIPTION	EG38	EG39	REMARKS
1	B65-H3973-10	SWITCH, HANDLE 3	1	1	
2	5TL-H3955-20	BRACKET 1	1	1	
3	97602-05216	SCREW, PAN HEAD WITH WASHER	2	2	
4	97707-50016	SCREW, TRUSS HEAD TAPPING	1	1	
5	BN1-H3975-10	SWITCH, HANDLE 2	1	1	
6	B65-H2911-00	HOLDER, LEVER 1	1	1	
7	1LB-H3912-00	LEVER 1	1	1	
8	1LB-H3935-00	COVER	1	1	
9	1LB-H3967-00	PIN, LOCK 1	1	1	
10	40D-H3962-00	SPRING	1	1	
11	40D-H396X-00	SCREW, LEVER FITTING	1	1	
12	90109-06798	BOLT	1	1	
13	95602-06100	NUT, SELF-LOCKING	1	1	
14	B0R-H2530-00	STOP SWITCH ASSY	1	1	
15	97602-04312	SCREW, PAN HEAD WITH WASHER	1	1	
16	B65-H2556-00	DAMPER, STOPPER	1	1	
17	91332-05010	BOLT	2	2	
18	91337-06020	BOLT	1	1	

FIG. 36 ELECTRICAL 1

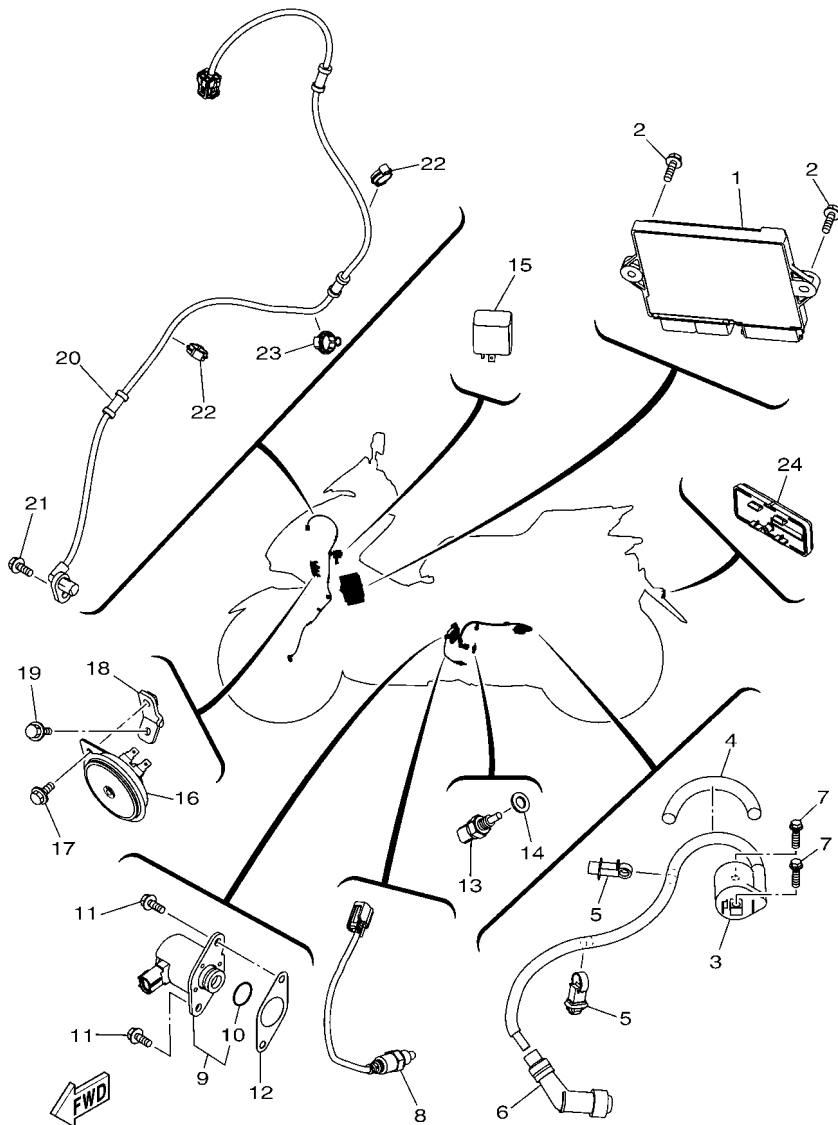


REF. NO.	PART NO.	DESCRIPTION	EG38	EG39	REMARKS
1	BC1-H2100-00	BATTERY ASSY (YUASA YTZ7V)	1	1	
2	BG3-H2501-02	MAIN SWITCH STEERING LOCK	1	1	
3	B65-H276E-01	KNOB COMP.	1	1	
4	90111-06162	BOLT,HEX. SOCKET BUTTON	2	2	
5	B65-H2568-10	COVER, MAIN SWITCH	1	1	
6	97707-50016	SCREW, TRUSS HEAD TAPPING	1	1	
7	90269-06816	RIVET	1	1	
8	B65-H2590-30	WIRE HARNESS ASSY	1	1	
9	B65-H2151-80	.FUSE (2A)	4	4	
10	B65-H2151-00	.FUSE (7.5A)	7	7	
11	1LB-H2151-00	.FUSE (10A)	2	2	
12	B65-H2151-60	.FUSE (30A)	2	2	
13	3WP-81980-00	.DIODE ASSY	1	1	
14	95E32-06012	BOLT, FLANGE DEEP RECESS	2	2	
15	90464-13249	CLAMP	1	1	
16	90464-50800	CLAMP	2	2	
17	B65-H7229-01	BAND	1	1	
18	B65-H2566-01	SWITCH, SIDE STAND	1	1	
19	90464-13249	CLAMP	1	1	
20	90464-50800	CLAMP	1	1	
21	90110-06888	BOLT, HEXAGON SOCKET HEAD	1	1	
22	B3F-H1950-10	RELAY ASSY	1	1	
23	BK6-H1950-00	RELAY ASSY	1	1	
24	BB8-H254B-00	TERMINAL COMP.	1	1	
25	B74-H6260-05	REMOTE CONTROL UNIT ASSY	1	1	
26	B74-H6261-02	.XMTR. COMP.	1	1	
27	B65-H5546-00	BAND	1	1	

FIG. 36 ELECTRICAL 1



REF. NO.	PART NO.	DESCRIPTION	EG38	EG39	REMARKS
28	B3F-H3383-00	BUZZER	1	1	
29	97707-50016	SCREW, TRUSS HEAD TAPPING	1	1	

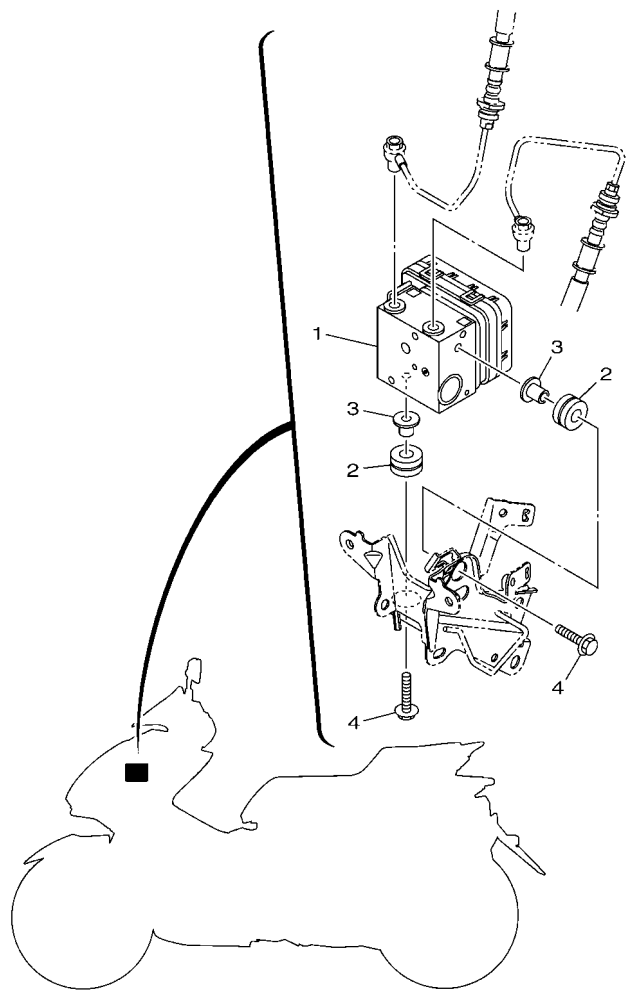


B631422-S350

FIG. 37 ELECTRICAL 2

REF. NO.	PART NO.	DESCRIPTION	EG38	EG39	REMARKS
1	B63-H594A-30	STARTER GEN. CONT. UNIT ASSY	1	1	
2	95D32-06020	BOLT, FLANGE DEEP RECESS	2	2	
3	B65-H2310-00	IGNITION COIL ASSY	1	1	
4	B65-H2351-00	TUBE, CORD	1	1	
5	90464-14809	CLAMP	2	2	
6	2DP-H2370-00	PLUG CAP ASSY	1	1	
7	95E32-06020	BOLT, FLANGE DEEP RECESS	2	2	
8	2BM-H592A-20	SENSOR, OXYGEN	1	1	
9	BK6-H6110-00	SOLENOID	1	1	
10	BK6-H1847-00	.O-RING	1	1	
11	95D32-06016	BOLT, FLANGE DEEP RECESS	2	2	
12	2DP-H1861-00	GASKET	1	1	
13	54P-H3591-00	THERMO UNIT	1	1	
14	90430-10806	GASKET	1	1	
15	1PA-H3350-00	FLASHER RELAY ASSY	1	1	
16	2DP-H3371-00	HORN	1	1	
17	95D02-06012	BOLT, FLANGE DEEP RECESS	1	1	
18	B65-H3378-00	STAY, HORN	1	1	
19	95D02-06012	BOLT, FLANGE DEEP RECESS	1	1	
20	B63-H5970-00	WHEEL SENSOR ASSY, FRONT	1	1	
21	95D32-06016	BOLT, FLANGE DEEP RECESS	1	1	
22	90464-14803	CLAMP	2	2	
23	90464-14810	CLAMP	1	1	
24	55D-H5130-00	REAR REFLECTOR ASSY	1	1	

FIG. 38 ELECTRICAL 3



REF. NO.	PART NO.	DESCRIPTION	EG38	EG39	REMARKS
1	B63-H5930-01	HYDRAULIC UNIT ASSY	1	1	
2	90480-14816	GROMMET	2	2	
3	90387-068N8	COLLAR	2	2	
4	95817-06020	BOLT, FLANGE	2	2	


 B633422-S360

NUMERICAL INDEX

PART NO.	REF. NO.	PART NO.	REF. NO.	PART NO.	REF. NO.	PART NO.	REF. NO.	PART NO.	REF. NO.	PART NO.	REF. NO.
52S-12439-00	6 - 2	2DP-E2279-00	3 - 12	B74-E4449-00	8 - 31	B65-E7620-00	12 - 1	BG3-F171X-00-P3	16 - 23	B65-F1871-00	16 - 29
4HC-24618-00	28 - 4	B65-E2280-00	4 - 4	B65-E4451-00	8 - 25	2DP-E7623-00	12 - 3	BG3-F171X-00-P4	16 - 23		
	29 - 4	B6H-E2288-00	4 - 5	B65-E4452-01	8 - 26	B65-E7632-00	12 - 2	BG3-F171X-00-P5	17 - 23	1S7-F1875-01	16 - 33
36Y-2589H-00	26 - 5	B3F-E240A-00	6 - 4	B65-E4453-00	8 - 24	B65-E7641-00	12 - 24	B65-F1721-00	16 - 5		17 - 33
3WP-81980-00	36 - 13	2DP-E2410-00	6 - 1	BK7-E4613-00	9 - 4	44D-E7653-00	12 - 4		17 - 5	B65-F2141-00	14 - 12
B65-E1102-00	1 - 1	B6H-E2422-00	5 - 1	B65-E4711-00	9 - 1	B6H-E7660-00	12 - 11	2DP-F172W-00	27 - 19	B65-F2171-00	18 - 1
2DP-E111F-00	3 - 18	B63-E2439-00	6 - 8	B65-E4718-00	9 - 2	B74-E7664-00	12 - 15	BG3-F1731-00-P0	16 - 9	B63-F2210-30	18 - 10
2DP-E1133-10	1 - 2	B6H-E2439-00	5 - 3	B65-E5150-00	10 - 1	2DP-E7668-00	12 - 19	BG3-F1731-00-P2	16 - 9	4D1-F2216-00	18 - 2
2DP-E1165-00	1 - 8	B6H-E2450-00	5 - 5	B65-E5199-00	10 - 18	B6H-E7670-00	12 - 12	BG3-F1731-00-P3	16 - 9	5MX-F2216-00	10 - 5
B65-E1166-00	8 - 40	B65-E2462-00	6 - 5	B65-E5316-00	11 - 14	2DP-E7674-00	12 - 5	BG3-F1731-00-P4	17 - 9		18 - 2
2DP-E1169-00	1 - 9	B65-E2467-00	6 - 25	B65-E5326-00	11 - 15	2DP-E7674-10	12 - 16	5P2-F1737-00	16 - 40	BG3-F221A-10	18 - 11
2DP-E1181-00	1 - 21	B65-E2481-00	6 - 16	B65-E5335-00	11 - 16	B6H-E7678-00	12 - 20		17 - 40	BG3-F221B-10	18 - 16
B6H-E1185-00	5 - 4	B65-E2482-00	6 - 17	B65-E5337-00	11 - 17	2DP-E7678-10	12 - 22		28 - 54	BG3-F2865-00-P0	28 - 34
2DP-E1191-00	1 - 7	B65-E2483-00	6 - 18	54P-E5351-00	7 - 3	B65-E7683-00	12 - 17		29 - 55	BG3-F2865-00-P1	28 - 34
B3F-E1193-00	1 - 15	B65-E2611-00	6 - 27	2DP-E5362-00	10 - 14	2DP-E7684-00	12 - 18	B92-F1737-00	25 - 36	BG3-F2865-00-P2	28 - 34
2DP-E1311-10	1 - 25	5ST-E2615-00	6 - 6	5LW-E5363-00	10 - 16	B65-F1110-10	14 - 1	BG3-F173E-40	16 - 41	BG3-F2865-00-P3	29 - 34
2DP-E132G-00	1 - 13	B65-E2621-00	6 - 19	5LW-E5371-01	10 - 30	B65-F113B-00	14 - 11	BG3-F173E-50	16 - 41	B65-F286F-00	28 - 40
B65-E1351-10	1 - 26	5ST-E2843-00	6 - 7		11 - 5	B65-F117G-00	14 - 8	BG3-F173F-40	16 - 42		29 - 40
BB8-E1391-00	1 - 18	B63-E2843-00	6 - 9	B65-E5373-00	10 - 31	B65-F117K-00	15 - 20	BG3-F173F-50	16 - 42	B65-F2957-10	16 - 37
BB8-E1392-00	1 - 19	B65-E3300-01	7 - 1	2DP-E5407-00	11 - 11	B65-F131C-00	28 - 29	BG3-F1741-00-P0	16 - 12		17 - 37
B65-E1400-10	2 - 1	54P-E3411-00	7 - 4	B65-E5411-00	11 - 1		29 - 29	BG3-F1741-00-P2	16 - 12	B65-F3100-10	19 - 1
B65-E1400-20	2 - 1	2DP-E3556-00	8 - 14	B65-E5421-00	10 - 26	B65-F1410-00	14 - 6	BG3-F1741-00-P3	16 - 12	B65-F3102-10	19 - 2
B63-E1603-00	2 - 9	B65-E3585-00	8 - 1	B65-E5423-00	10 - 20	B65-F1511-00	15 - 1	BG3-F1741-00-P4	17 - 12	B65-F3103-10	19 - 18
2DP-E1631-00	2 - 6	B65-E3750-00	8 - 15	B65-E5431-00	11 - 8	B65-F1521-00	14 - 28	BG3-F174G-30	16 - 43	44D-F3108-00	32 - 4
2DP-E1633-00	2 - 7	BB8-E3761-10	8 - 8	B65-E5451-10	11 - 2	B65-F1552-00	15 - 6	BG3-F174G-40	16 - 43	B65-F3110-00	19 - 7
2DP-E1651-00	2 - 4	5LW-E3769-00	10 - 15	B65-E5461-10	10 - 27	BG3-F1556-00-P1	15 - 2	BG3-F174G-50	17 - 45		19 - 23
B63-E1681-00	2 - 2	BB8-E3770-10	8 - 7	B65-E5472-00	11 - 10	BG3-F1556-00-P3	15 - 2	BG3-F174H-30	16 - 44	1FC-F3111-10	19 - 14
2DP-E2111-00	3 - 1	B65-E3907-10	20 - 5	2DP-E5474-00	11 - 13	BG3-F1556-00-P4	15 - 2	BG3-F174H-40	16 - 44		19 - 30
B63-E2113-00	3 - 4	54P-E3938-00	8 - 11	2DP-E5481-00	11 - 12	BG3-F1556-00-P5	15 - 2	BG3-F174H-50	17 - 46	B65-F3123-00	19 - 47
2DP-E2117-00	3 - 6	B65-E3971-00	20 - 4	2DP-E5495-00	11 - 9	BG3-F1568-00	28 - 1	BG3-F174J-40	16 - 45	B65-F3126-00	19 - 3
5TL-E2118-00	3 - 5	54P-E4137-00	8 - 12	2DP-E5744-00	12 - 21		29 - 1	BG3-F174K-40	16 - 46	B65-F312G-00	19 - 46
54P-E2119-00	3 - 3	B65-E4146-00	8 - 5	B65-E6111-00	13 - 9	BG3-F1578-20	15 - 23	B65-F177E-00	28 - 13	B65-F3136-00	19 - 19
B3F-E2121-00	3 - 2	54P-E4147-00	8 - 9	B65-E6111-10	13 - 9	B65-F1611-00	15 - 9		29 - 13	B63-F3141-00	19 - 13
50C-E2126-00	3 - 7	5CA-E4147-00	8 - 10	B65-E6611-00	12 - 23	B65-F1621-00	21 - 17	BG3-F1781-30	16 - 47		19 - 29
2DP-E2150-00	3 - 8	54P-E416A-00	8 - 19	B6H-E6620-00	12 - 7	B65-F162R-10	15 - 14	BG3-F1781-40	16 - 47	5LM-F3144-00	19 - 6
45P-E2156-00	3 - 16	B65-E4199-10	8 - 2	B65-E6626-00	12 - 9	B65-F1711-00	16 - 1	BG3-F1781-50	17 - 41		19 - 22
5YP-E2157-00	4 - 6	54P-E4243-00	8 - 17	54P-E6819-00	12 - 10		17 - 1		17 - 42	3AY-F3145-00	19 - 4
33S-E2159-01	3 - 9	54P-E4335-00	8 - 18	B65-E7211-00	13 - 4	BG3-F171E-00-P2	16 - 21	BG3-F1783-00	16 - 48		19 - 20
	3 - 14	B65-E4346-00	8 - 6	B65-E7211-10	13 - 4	BG3-F171E-00-P3	16 - 21	BG3-F1783-30	17 - 43	2JG-F3147-00	19 - 15
2DP-E2160-00	3 - 13	B65-E4411-00	8 - 21	B65-E7410-00	13 - 1	BG3-F171E-00-P4	16 - 21		17 - 44		19 - 31
B65-E2170-10	4 - 1	B65-E4412-00	8 - 22	B65-E7410-10	13 - 1	BG3-F171E-00-P5	17 - 21	B65-F1796-00	28 - 11	5LM-F3152-00	19 - 9
2PV-E2210-00	4 - 11	B65-E4417-00	8 - 33	B65-E7410-20	13 - 1	B65-F171L-00	27 - 25		29 - 11		19 - 25
B65-E2213-10	4 - 12	B65-E4419-00	8 - 34	B65-E7410-30	13 - 1	B65-F171M-00	27 - 28	B65-F179E-00	28 - 15	31B-F3153-00	19 - 16
B6H-E2223-00	5 - 2	B74-E4435-00	8 - 32	B65-E7421-00	13 - 3	B65-F171N-00	16 - 15		29 - 15		19 - 32
BB8-E2226-00	3 - 11	B65-E4437-00	8 - 23	B65-E7421-10	13 - 3		17 - 15	B65-F1816-00	16 - 34	5P0-F3156-00	19 - 5
1LB-E2228-00	4 - 10	4ST-E443E-00	11 - 6	2DP-E7465-00	12 - 13	B65-F171R-00	16 - 18		17 - 34		19 - 21
B65-E2231-00	4 - 8	52B-E443E-00	8 - 28	2DP-E7465-10	12 - 14		17 - 18	B65-F1817-00	16 - 35	2JG-F3157-00	19 - 10
2DP-E2241-00	4 - 9	5TP-E443G-10	8 - 29	2DP-E7611-00	12 - 6	BG3-F171X-00-P2	16 - 23		17 - 35		19 - 26

NUMERICAL INDEX

PART NO.	REF. NO.	PART NO.	REF. NO.	PART NO.	REF. NO.	PART NO.	REF. NO.	PART NO.	REF. NO.	PART NO.	REF. NO.
2BU-F3158-00	19 - 11	B63-F4737-00	21 - 11	B65-F5887-00	14 - 22	B65-F7483-00	27 - 31	5P2-F839B-00	29 - 53	55D-H3333-00	31 - 23
	19 - 27	B65-F4738-00	14 - 31	3RW-F5889-00	26 - 6	B65-F7484-00	27 - 32		29 - 54	B65-H3333-00	32 - 3
B65-F315H-00	19 - 17	B65-F473R-10	21 - 9	2R6-F5916-00	23 - 14	BG3-F7485-00	25 - 20	BG3-F839E-10	28 - 61	55D-H333A-00	31 - 11
B65-F315J-00	19 - 33	3C1-F4741-00	21 - 3	2BM-F5917-00	23 - 6	B65-F7488-00	27 - 18	BG3-F839F-10	28 - 60	BG3-H333E-00	31 - 14
B65-F3170-10	19 - 8	B65-F474A-00	21 - 25	2BM-F5919-00	23 - 11	B65-F74A8-00	28 - 26	BG3-F839F-10	28 - 60	BG3-H3340-00	31 - 17
	19 - 24	B65-F474W-00	21 - 29	2DP-F5920-00	23 - 13		29 - 26	BG3-F839G-00	28 - 61	55D-H334A-00	31 - 19
278-F3181-50	19 - 12	1S8-F4768-00	21 - 24	5YP-F5924-00	23 - 12	3AY-F8151-00	21 - 34	BG3-F839G-10	28 - 61	BG3-H334E-00	31 - 22
	19 - 28		28 - 21	5YP-F5925-01	23 - 10	B65-F8153-00	21 - 33	B65-F842M-00	28 - 16	1PA-H3350-00	37 - 15
B65-F3340-00	19 - 34		29 - 21	5YP-F5937-00	23 - 7	B65-F818A-00	28 - 28		29 - 16	55D-H3358-00	31 - 16
4D0-F3346-00	19 - 37	B65-F476A-00	21 - 4	BG3-F60C1-00	25 - 37		29 - 28	B65-F842N-00	28 - 37		31 - 24
4RT-F3411-10	19 - 40	B65-F476E-00	21 - 5	BG3-F60C1-40	25 - 37	BG3-F8199-30	21 - 35		29 - 37	2DP-H3371-00	37 - 16
4RT-F3412-10	19 - 39	B65-F4780-00	21 - 22	BG3-F60C1-50	25 - 37	B65-F8227-00	28 - 30	B63-H1410-00	30 - 2	B65-H3378-00	37 - 18
5TL-F3416-00	19 - 42	40D-F4780-01	28 - 20	B65-F6110-00	25 - 1		29 - 30	B63-H1450-00	30 - 1	B3F-H3383-00	36 - 28
1PA-F3418-00	19 - 45		29 - 20	1S7-F6113-00	33 - 5	B65-F8311-00	28 - 2	BK6-H1847-00	37 - 10	B65-H3500-21	32 - 1
1P6-F341E-10	19 - 41	B65-F478E-01	21 - 21	B65-F6143-00	25 - 26		29 - 2	2DP-H1861-00	37 - 12	B65-H3571-00	32 - 2
B63-F3462-00	19 - 35	B65-F479D-00	21 - 32	BG3-F6145-00-P1	25 - 30	B65-F8321-00	28 - 8	BK6-H1950-00	36 - 23	54P-H3591-00	37 - 13
B65-F384L-00	21 - 13	B65-F482H-00	15 - 18	BG3-F6145-00-P3	25 - 30		29 - 8	B3F-H1950-10	36 - 22	1LB-H3912-00	35 - 7
2TD-F3873-00	19 - 38	B65-F5168-00-33	22 - 1	BG3-F6145-00-P4	25 - 30	BG3-F834C-10	29 - 60	BC1-H2100-00	36 - 1	2PV-H3922-00	26 - 8
2TD-F3875-00	19 - 36		22 - 1	BG3-F6145-00-P5	25 - 30		29 - 61	B65-H2129-00	21 - 18	1LB-H3935-00	35 - 8
B65-F4110-00	20 - 1	B65-F5168-00-P0	22 - 1	4US-F6199-00	21 - 12	BG3-F8351-00-P1	28 - 41	1LB-H2151-00	36 - 11	5TL-H3955-20	35 - 2
B65-F414A-00	20 - 12	2DP-F517G-00	22 - 5	B65-F61AA-00	25 - 33	BG3-F8351-00-P3	28 - 41	B65-H2151-00	36 - 10	40D-H3962-00	35 - 10
5D9-F414G-00	14 - 2	B65-F5181-00	22 - 10	B92-F6240-00	25 - 6	BG3-F8351-00-P4	28 - 41	B65-H2151-60	36 - 12	1LB-H3967-00	35 - 9
54P-F414G-10	20 - 7	B65-F51G1-00	22 - 12	1VP-F6241-00	25 - 5	BG3-F8351-00-P5	29 - 41	B65-H2151-80	36 - 9	40D-H396X-00	35 - 11
5D9-F414G-10	14 - 3	5BP-F530K-20	24 - 8	B92-F6246-00	25 - 7	B65-F8356-30	14 - 20	B65-H2310-00	37 - 3	B65-H3973-10	35 - 1
	14 - 7	54P-F5326-00	24 - 5	2WB-F6280-00	25 - 8	B65-F8357-10	28 - 23	B65-H2351-00	37 - 4	BN1-H3975-10	35 - 5
B65-F419A-10	20 - 13	B65-F5336-00	24 - 4	55D-F6281-00	25 - 16		29 - 23	2DP-H2370-00	37 - 6	B5D-H3980-00	26 - 11
2DP-F4491-00	20 - 8	B65-F5338-00-33	24 - 1	55D-F6282-00	25 - 17	B65-F8358-10	14 - 26	BG3-H2501-02	36 - 2	1PB-H4127-00	31 - 5
B65-F4494-10	28 - 25	B65-F5338-00-P0	24 - 1	2WB-F6290-00	25 - 9	B65-F835U-00	28 - 47	B0R-H2530-00	35 - 14	B63-H4300-01	33 - 1
	29 - 25	B65-F5338-00-P1	24 - 1	B65-F6301-10	25 - 10		29 - 47	BB8-H254B-00	36 - 24	B63-H4312-01	33 - 3
4YY-F4610-00	20 - 10	5LW-F533A-00	24 - 13	B65-F6351-00	25 - 19	B65-F835V-00	28 - 50	B65-H2556-00	35 - 16	1WD-H4547-00	34 - 11
4YY-F4612-00	20 - 11	B65-F5351-00	24 - 11	B65-F637G-00	25 - 21		29 - 50	B65-H2566-01	36 - 18	B65-H4710-01	34 - 2
B65-F465E-00	15 - 19	B65-F5355-00	24 - 12	B65-F7111-00	27 - 1	BG3-F8377-00-P1	28 - 44	B65-H2568-10	36 - 5	B63-H4740-00	34 - 9
B65-F470F-10	21 - 2	2BM-F5802-00	23 - 4	2PH-F7112-00	27 - 2	BG3-F8377-00-P3	28 - 44	B65-H2590-30	36 - 8	1CK-H4744-00	34 - 10
B65-F470F-20	21 - 2	5YP-F5803-50	23 - 5	5P2-F7114-00	14 - 16	BG3-F8377-00-P4	28 - 44	B65-H276E-01	36 - 3	2FC-H5111-00	18 - 12
B65-F470F-30	21 - 2	B63-F5805-00	23 - 9	54P-F7121-00	10 - 3	BG3-F8377-00-P5	29 - 44	B65-H2911-00	35 - 6		18 - 17
BG3-F471K-00-P2	16 - 25	1WD-F5807-00	26 - 2	5VW-F7214-00	27 - 4	BG3-F8391-40	28 - 55	B63-H3310-00	31 - 1	55D-H5130-00	37 - 24
BG3-F471K-00-P3	16 - 25	B63-F580U-00	23 - 3		27 - 11	BG3-F8391-50	28 - 55	2CB-H3311-00	31 - 3	31B-H5353-00	33 - 2
BG3-F471K-00-P4	16 - 25	2DP-F582U-00	23 - 1	B65-F7217-00	27 - 8	BG3-F8391-60	29 - 56	55D-H3311-00	31 - 10	B65-H5546-00	36 - 27
BG3-F471K-00-P5	17 - 25	B63-F5852-00	26 - 4	B65-F7311-00	27 - 7	BG3-F8392-40	28 - 56		31 - 18	B65-H5752-00	20 - 6
B65-F4726-00	21 - 7	2ND-F5854-00	26 - 3	B65-F7426-00	28 - 33	BG3-F8392-50	28 - 56	1VP-H3318-00	31 - 25	2BM-H592A-20	37 - 8
2WB-F4727-00	21 - 6	2ND-F5855-00	26 - 7		29 - 33	BG3-F8392-60	29 - 57	B63-H331E-00	31 - 6	B63-H5930-01	38 - 1
B65-F472J-00	21 - 26	5TL-F5867-11	26 - 14	B65-F7430-00	27 - 33	BG3-F8393-40	28 - 57	BG3-H3320-00	31 - 2	B63-H594A-30	37 - 1
B65-F472K-00	16 - 27	B63-F5870-00	26 - 1	B65-F7431-00	27 - 34	BG3-F8393-50	29 - 58	55D-H3323-00	31 - 12	B63-H5970-00	37 - 20
	17 - 27	B65-F5873-00	26 - 15	B65-F7440-00	27 - 41	BG3-F8394-20	28 - 58	55D-H3328-00	31 - 13	BK6-H6110-00	37 - 9
B65-F472T-00	14 - 29	B65-F5874-00	26 - 18	B65-F7441-00	27 - 42	BG3-F8394-30	29 - 59		31 - 21	B74-H6260-05	36 - 25
B65-F4730-10	21 - 1	B65-F5875-00	19 - 48	B65-F7452-00	27 - 35	BG3-F8398-20	28 - 59	55D-H332M-00	31 - 20	B74-H6261-02	36 - 26
B65-F4730-20	21 - 1	B65-F5876-00	19 - 50	B65-F7462-00	27 - 43	BG3-F839A-10	28 - 60	BG3-H3330-00	31 - 9	B65-H7229-01	36 - 17
B65-F4730-30	21 - 1	B65-F587A-10	14 - 24	B65-F7481-00	27 - 12	5P2-F839B-00	28 - 53	55D-H3333-00	31 - 15	4C9-W0048-00	23 - 8

NUMERICAL INDEX

PART NO.	REF. NO.	PART NO.	REF. NO.	PART NO.	REF. NO.	PART NO.	REF. NO.	PART NO.	REF. NO.	PART NO.	REF. NO.
B65-WE662-00	12 - 8	90167-05801	17 - 10	90183-05807	29 - 43	90387-10857	14 - 10	90480-14823	34 - 4	92012-06010	14 - 23
90101-06046	24 - 15		17 - 13		29 - 46	90387-17807	18 - 5	90480-14833	6 - 11		14 - 25
90105-088E3	14 - 18	90170-05803	3 - 10		29 - 49	90387-17808	18 - 8	90501-12743	27 - 36	92012-08012	14 - 21
90105-10283	14 - 14		3 - 15		29 - 52	90388-10808	10 - 4		27 - 44	93102-08800	1 - 14
90105-10831	23 - 15	90170-12800	12 - 28		34 - 7	90388-10818	14 - 9	90501-16004	7 - 5	93102-20815	13 - 11
90105-108B0	25 - 3	90170-12803	12 - 29	90183-06800	15 - 11	90401-10812	26 - 16	90501-16804	25 - 23	93102-22829	10 - 9
90109-06577	26 - 10	90179-05802	25 - 35		15 - 22		26 - 19	90506-12001	24 - 9	93102-24802	10 - 21
90109-06798	35 - 12	90179-06835	25 - 25	90183-06818	15 - 3	90430-06803	1 - 5	90506-15001	24 - 10	93102-32807	13 - 8
90109-068A4	15 - 5	90179-12004	30 - 5	90185-10011	25 - 4		1 - 28	90506-20818	27 - 10	93106-20816	22 - 3
90109-068B5	15 - 4	90179-25810	19 - 43	90185-16800	24 - 16		5 - 9	90506-40804	27 - 5	93106-28801	18 - 3
	15 - 15	90183-04039	15 - 13	90201-04803	32 - 7	90430-08804	10 - 13	90520-02005	28 - 35	93106-28813	18 - 6
	16 - 4	90183-05801	32 - 8	90201-08859	1 - 17	90430-10806	37 - 14		29 - 35	93210-07802	24 - 7
	16 - 8	90183-05807	14 - 32	90201-10118	26 - 17	90430-12803	10 - 11	90520-02014	33 - 4	93210-09806	4 - 2
	16 - 31		15 - 12		26 - 20	90445-05004	34 - 13	90520-02829	14 - 4	93210-14816	10 - 17
	17 - 4		15 - 17	90201-12688	30 - 4	90450-43805	8 - 39		16 - 30	93210-19809	5 - 14
	17 - 8		16 - 3	90201-163G6	12 - 26	90464-07805	16 - 39		17 - 30	93210-29800	7 - 6
	17 - 31		16 - 7	90201-16819	12 - 25		17 - 39		20 - 3	93210-39803	5 - 11
	21 - 15		16 - 11	90202-26142	19 - 44	90464-07807	25 - 15	90520-03831	28 - 14	93211-28800	10 - 22
	27 - 15		16 - 14	90206-14093	24 - 14	90464-10802	25 - 13		29 - 14	93300-608X0	5 - 7
	27 - 22		17 - 3	90208-12808	12 - 27	90464-13249	36 - 15	90520-04806	21 - 10	93306-001X9	4 - 3
	33 - 7		17 - 7	90249-12008	25 - 24		36 - 19	90520-05815	14 - 33	93306-204XW	13 - 10
90109-068B9	27 - 6		17 - 11	90269-06816	15 - 7	90464-14803	37 - 22	90520-06810	28 - 27	93306-252YR	12 - 30
90109-08232	23 - 2		17 - 14		16 - 17	90464-14809	37 - 5		29 - 27	93306-255X5	13 - 7
90110-06378	1 - 24		21 - 14		16 - 20	90464-14810	37 - 23	90520-08803	14 - 5	93306-300YF	22 - 4
90110-06846	8 - 20		21 - 19		17 - 17	90464-15804	31 - 8	90520-10826	6 - 20	93306-302YP	13 - 2
90110-06880	30 - 3		25 - 2		17 - 20	90464-16006	25 - 14	90520-10827	6 - 21	93306-303YT	13 - 6
90110-06888	36 - 21		25 - 27		25 - 29		34 - 14	90520-10832	8 - 38	93306-303YV	18 - 4
90111-06162	36 - 4		25 - 31		27 - 26	90464-50800	34 - 1	90520-10834	14 - 34	93306-351Y5	13 - 12
90111-06807	9 - 3		27 - 17		27 - 29		34 - 15		34 - 3	93310-528YW	2 - 3
90119-06044	15 - 10		27 - 24		28 - 17		36 - 16	90520-10839	28 - 3	93450-16115	2 - 8
	27 - 14		27 - 27		28 - 42		36 - 20		29 - 3	93501-04830	27 - 37
	27 - 21		27 - 30		28 - 45	90467-08003	16 - 36	90520-10844	6 - 22		27 - 45
90119-06096	15 - 16		28 - 6		29 - 17		17 - 36	90520-10845	6 - 23	93900-00824	22 - 8
90119-068B7	20 - 2		28 - 10		29 - 42	90467-10008	10 - 32	90520-15811	8 - 37		24 - 3
90149-05030	22 - 6		28 - 19		29 - 45	90467-11106	11 - 7		25 - 12	94111-14804	22 - 7
90149-05801	1 - 10		28 - 32		36 - 7	90467-11825	8 - 41	91312-05016	3 - 17	94114-14801	24 - 2
90149-05804	28 - 24		28 - 36	90280-03017	2 - 5		10 - 33	91312-06025	8 - 4	94568-F9096	4 - 7
	29 - 24		28 - 39	90340-12813	1 - 3	90467-12052	8 - 42	91312-06055	8 - 3	94700-00415	1 - 20
90149-08804	18 - 14		28 - 43	90340-12816	10 - 10	90467-12809	8 - 30	91317-06016	20 - 14	94700-00870	1 - 20
	18 - 19		28 - 46	90380-10803	12 - 31	90467-19803	6 - 14	91317-06025	26 - 12	95022-06020	15 - 21
	18 - 21		28 - 49	90387-068G3	34 - 5		6 - 15	91332-05010	20 - 9	95027-06020	5 - 8
90150-05806	25 - 34		28 - 52	90387-068N8	38 - 3	90467-20806	6 - 13		35 - 17	95302-08600	1 - 16
90159-06810	28 - 5		29 - 6	90387-08821	14 - 17	90467-22802	8 - 35	91337-06020	35 - 18		18 - 15
	29 - 5		29 - 10	90387-08823	6 - 10	90480-01559	27 - 13	91401-25015	27 - 39		18 - 20
90160-05012	28 - 9		29 - 19	90387-08840	21 - 28		27 - 20		27 - 47	95602-06100	26 - 9
	29 - 9		29 - 32		21 - 31	90480-14808	16 - 32	91701-08035	27 - 38		35 - 13
90167-05801	16 - 10		29 - 36	90387-10277	22 - 9		17 - 32		27 - 46	95602-08200	14 - 19
	16 - 13		29 - 39	90387-10848	22 - 2	90480-14816	38 - 2	92012-05016	25 - 11	95602-10200	14 - 13

NUMERICAL INDEX

PART NO.	REF. NO.	PART NO.	REF. NO.	PART NO.	REF. NO.	PART NO.	REF. NO.	PART NO.	REF. NO.	PART NO.	REF. NO.
95602-10200	14 - 15	95E32-06030	1 - 11	97707-50016	29 - 18						
	22 - 11		10 - 25		29 - 38						
	27 - 9	95E32-06035	11 - 4		29 - 48						
95612-08618	1 - 6	95E32-06045	5 - 13		29 - 51						
95702-05500	18 - 13		6 - 24		31 - 7						
	18 - 18	95E32-06060	10 - 7		33 - 6						
95702-06500	21 - 8	95E32-06110	10 - 8		34 - 8						
95702-08500	9 - 5	95E32-08045	10 - 29		35 - 4						
95702-10500	24 - 6	97602-04312	26 - 13		36 - 6						
95817-06020	38 - 4		35 - 15		36 - 29						
95D02-06012	16 - 38	97602-05216	35 - 3	97707-50025	8 - 27						
	17 - 38	97702-40612	31 - 4	98502-05020	7 - 2						
	19 - 49	97702-50016	32 - 5	98502-05025	25 - 18						
	19 - 51	97707-40012	32 - 6	98502-06012	8 - 16						
	37 - 17	97707-50012	28 - 31	98907-04014	34 - 12						
	37 - 19		29 - 31	99002-09600	27 - 3						
95D32-06010	14 - 27	97707-50016	14 - 30	99009-08400	5 - 6						
95D32-06016	6 - 28		15 - 8	99009-25400	13 - 5						
	37 - 11		16 - 2	99009-35700	12 - 32						
	37 - 21		16 - 6	99009-47500	18 - 7						
95D32-06020	34 - 6		16 - 16	99231-00080	28 - 62						
	37 - 2		16 - 19	99234-00080	28 - 62						
95D32-06025	21 - 27		16 - 22	99480-03012	10 - 2						
	21 - 30		16 - 24	99530-08012	1 - 12						
95D32-06030	6 - 12		16 - 26		5 - 10						
	8 - 13		16 - 28	99530-10114	1 - 22						
	8 - 36		17 - 2		1 - 23						
95D32-08020	27 - 40		17 - 6		10 - 6						
	27 - 48		17 - 16		10 - 23						
95D32-08035	10 - 12		17 - 19		10 - 28						
95D32-10045	9 - 6		17 - 22		11 - 3						
95D32-10060	9 - 7		17 - 24								
	18 - 9		17 - 26								
95E32-06010	1 - 4		17 - 28								
	1 - 27		21 - 16								
	21 - 23		21 - 20								
95E32-06012	10 - 19		25 - 28								
	25 - 22		25 - 32								
	28 - 22		27 - 16								
	29 - 22		27 - 23								
	36 - 14		28 - 7								
95E32-06014	3 - 19		28 - 12								
95E32-06020	4 - 13		28 - 18								
	6 - 3		28 - 38								
	6 - 26		28 - 48								
	10 - 24		28 - 51								
	37 - 7		29 - 7								
95E32-06025	5 - 12		29 - 12								