



PARTS CATALOGUE

RX-Z (5PV3) MALAYSIA



1F5PV-440E1

()

RX-Z
PARTS CATALOGUE
©2006 by Yamaha Motor Co., Ltd.
1st edition, December 2006
All rights reserved.
Any reprinting or unauthorized use
without the written permission of
Yamaha Motor Co., Ltd.
is expressly prohibited.
Printed in Japan.

FOREWORD

This Parts Catalogue is related to the parts for the model(s) on the cover page. When you are ordering replacement parts, please refer to this Parts Catalogue and quote both part numbers and part names correctly.

1. Modifications or additions which have been made after the issue of the Parts Catalogue will be announced in the Parts News.

It is advisable that you make the necessary corrections to the Parts Catalogue according to the Parts News.

2. Abbreviations

The following abbreviations are used in this Parts Catalogue.

“UR” Use specified parts number.

“UN” Use as many as needed.

“AP” Alternate Parts

“LM” Locally Made (Parts need to be ordered locally)

“F#” Frame No. (Applicable machine No.)

“O/S” Over Size

3. The number of components for assembly

- Parts, which are to be supplied in an assembly, are listed with a dot (.) in front of the part name as shown below.
- The numeral appearing to the right of each component part indicates the quantity of parts for each assembly unit.

PART NO.	DESCRIPTION	Q'TY	REMARKS
2F5-83310-60	FRONT FLASHER LIGHT ASSY	2	
115-83311-60	.BULB (6V-18W)	1	

4. Applicable colours of graphics are represented in the “REMARKS” as shown below.

PART NO.	DESCRIPTION	Q'TY	REMARKS
2N4-24110-00-X5	FUEL TANK COMP.	2	MXR
3J1-24240-10	.GRAPHIC, FUEL TANK	1	FOR MXR

5. Note that the illustrations for reference in finding parts numbers are not to be used for assembling. When assembling, please use the applicable service manual.

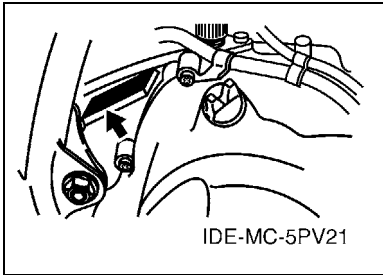
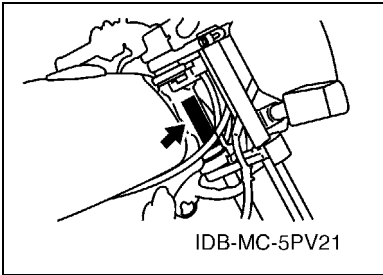
6. The asterisk (*) before a reference number indicates modified items after the first edition.

FOREWORD

7. Applicable Serial No.

Frame Serial No.

Engine Serial No.



8. Applicable Colour Code (The (*) mark shows Model colour.)

Abbreviation	Colour Name	Colour Code
BMC(*)	BLUE METALLIC C	0775
CIS	CIRCUIT SILVER	00WN
DRMK(*)	DEEP RED METALLIC K	0918
LGB	LOW GLOSS BLACK	0098
S3	SILVER 3	0791
SMX(*)	BLACK METALLIC X	0903
YB	YAMAHA BLACK	0033

9. Applicable Starting Serial No.

Frame Serial No.

Serial No.	Name Of Q'ty Column	Model Code

Engine Serial No.

Serial No.	Name Of Q'ty Column	Model Code

CONTENTS

ENGINE

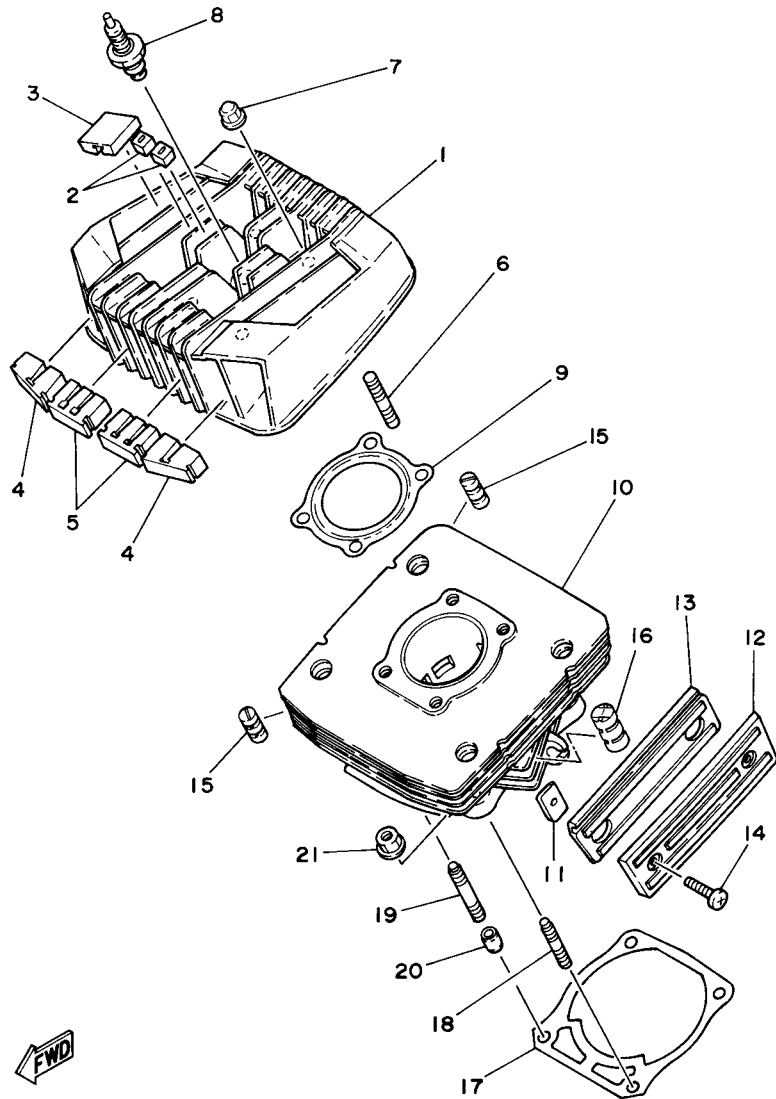
CYLINDER	1
CRANKSHAFT & PISTON	2
OIL PUMP	4
INTAKE	6
CARBURETOR	8
EXHAUST	9
CRANKCASE	10
CRANKCASE COVER 1	11
STARTER	12
CLUTCH	13
TRANSMISSION	14
TACHOMETER GEAR	16
SHIFT CAM & FORK	17
SHIFT SHAFT	18

CHASSIS

FRAME	19
FENDER	20
SIDE COVER	21
OIL TANK	23
REAR ARM & SUSPENSION	24
STEERING	25
FRONT FORK	26
FUEL TANK	28
SEAT	30
FRONT WHEEL	31
FRONT BRAKE CALIPER	32
REAR WHEEL	33
STEERING HANDLE & CABLE	36
FRONT MASTER CYLINDER	37
STAND & FOOTREST	38
COWLING 1	40
GENERATOR	42
FLASHER LIGHT	43
METER	44
HEADLIGHT	45
TAILLIGHT	46
HANDLE SWITCH & LEVER	47
ELECTRICAL 1	48
ELECTRICAL 2	49

INDEX

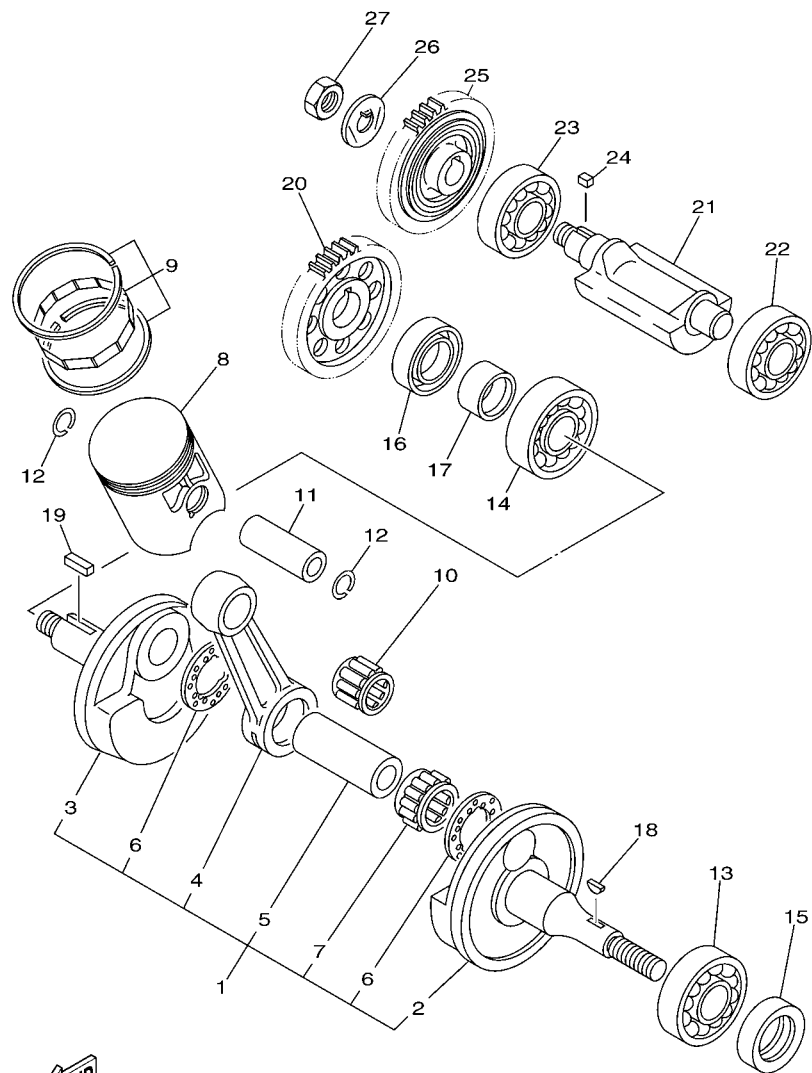
NUMERICAL INDEX	50
-----------------------	----



FWD
55F440-6010

FIG. 1 CYLINDER

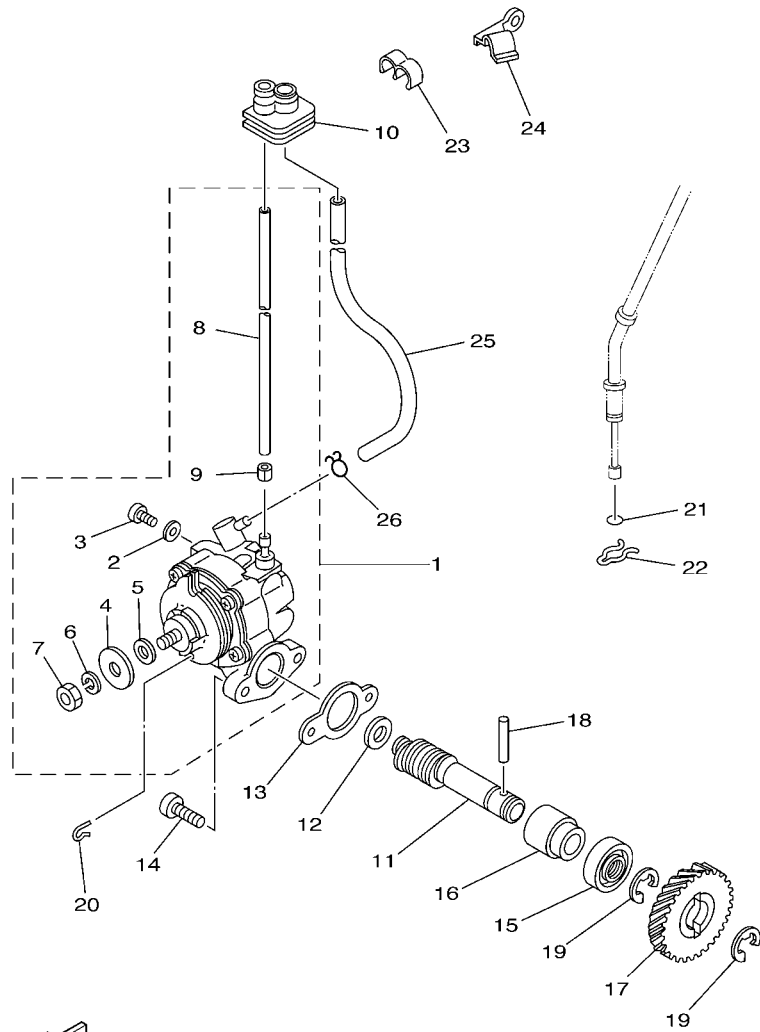
REF. NO.	PART NO.	DESCRIPTION	SPV3				REMARKS
1	55K-11111-10	HEAD, CYLINDER 1	1				
2	463-11127-02	ABSORBER 3	6				
3	55K-11161-00	ABSORBER 1	2				
4	55K-11127-00	ABSORBER 3	2				
5	4Y2-11129-00	ABSORBER 5	2				
6	90116-08393	BOLT, STUD	4				
7	90176-08061	NUT, CROWN	4				
8	94701-00261	PLUG SPARK (NGK BR9ES)	1				
9	55G-11181-00	GASKET, CYLINDER HEAD 1	1				
10	5PV-11311-00	CYLINDER 1	1				
11	55K-1131E-00	HOLDER 1	4				
12	55K-1131M-10	COVER	2				
13	55K-11326-00	SEAT	2				
14	90154-06029	SCREW, BINDING	4				
15	4X8-11162-00	ABSORBER 2	4				
16	30X-11127-00	ABSORBER 3	2				
17	55K-11351-01	GASKET, CYLINDER	1				
18	90116-08318	BOLT, STUD	2				
19	90116-08388	BOLT, STUD	2				
20	99530-10114	PIN, DOWEL	2				
21	90179-08299	NUT	4				



FWD
3XL3440-0020

FIG. 2 CRANKSHAFT & PISTON

REF. NO.	PART NO.	DESCRIPTION	SPV3				REMARKS
1	55K-11400-01	CRANKSHAFT ASSY	1				
2	55K-11412-01	.CRANK 1	1				
3	55K-11422-00	.CRANK 2	1				
4	55K-11651-00	.ROD, CONNECTING	1				
5	55K-11681-00	.PIN, CRANK 1	1				
6	90209-22257	.WASHER	2				
7	93310-522J0	.BEARING	1				
8	5PV-11631-00-A0	PISTON (STD)	1				
	5PV-11635-00	PISTON (0.25MM O/S)	1				AP
	5PV-11636-00	PISTON (0.50MM O/S)	1				AP
	5PV-11637-00	PISTON (0.75MM O/S)	1				AP
	5PV-11638-00	PISTON (1.00MM O/S)	1				AP
9	5PV-11603-00	PISTON RING SET (STD)	1				
	5PV-11604-00	PISTON RING SET (0.25MM O/S)	1				AP
	5PV-11605-00	PISTON RING SET (0.50MM O/S)	1				AP
	5PV-11606-00	PISTON RING SET (0.75MM O/S)	1				AP
	5PV-11607-00	PISTON RING SET (1.00MM O/S)	1				AP
10	93310-216J2	BEARING	1				
11	4Y2-11633-00	PIN, PISTON	1				
12	93450-17044	CIRCLIP	2				
13	93306-20529	BEARING	1				
14	93306-30421	BEARING	1				
15	93103-25098	OIL SEAL	1				
16	93103-28097	OIL SEAL	1				
17	90387-207F3	COLLAR	1				
18	90280-03017	KEY, WOODRUFF	1				
19	90282-05047	KEY, STRAIGHT	1				



5PV1440-1030

FIG. 3 OIL PUMP

REF. NO.	PART NO.	DESCRIPTION	5PV3				REMARKS
1	55K-13101-02	OIL PUMP ASSY	1				
2	90430-04004	.GASKET	1				
3	98901-04008	.SCREW, BIND	1				
4	137-13138-01	.PLATE, ADJUSTING	1				
5	137-13137-00-03	.SHIM (T=0.3)	1				UR
	137-13137-00-05	.SHIM (T=0.5)	1				UR
	137-13137-00-10	.SHIM (T=1.0)	1				UR
6	92901-05100	.WASHER, SPRING	1				
7	95301-05600	.NUT	1				
8	90445-05681	.HOSE (L210)	1				
9	90468-02033	.CLIP	1				
10	18G-13174-00	HOLDER, OIL PIPE	1				
11	55K-13175-01	SHAFT, WORM	1				
12	90201-08624	WASHER, PLATE	1				
13	126-13116-01	GASKET, PUMP CASE	1				
14	98507-05014	SCREW, PAN HEAD	2				
15	93101-10001	OIL SEAL	1				
16	137-13176-00	METAL, WORM SHAFT OUTER	1				
17	10V-13178-01	GEAR, PUMP DRIVE	1				
18	93603-22028	PIN, DOWEL	1				
19	93430-08007	CIRCLIP	2				
20	363-13133-01	CLIP	1				
21	93210-07100	O-RING	1				
22	90468-08086	CLIP	1				
23	90468-15020	CLIP	1				
24	367-13174-00	HOLDER, OIL PIPE	1				
25	90445-092E8	HOSE (L450)	1				

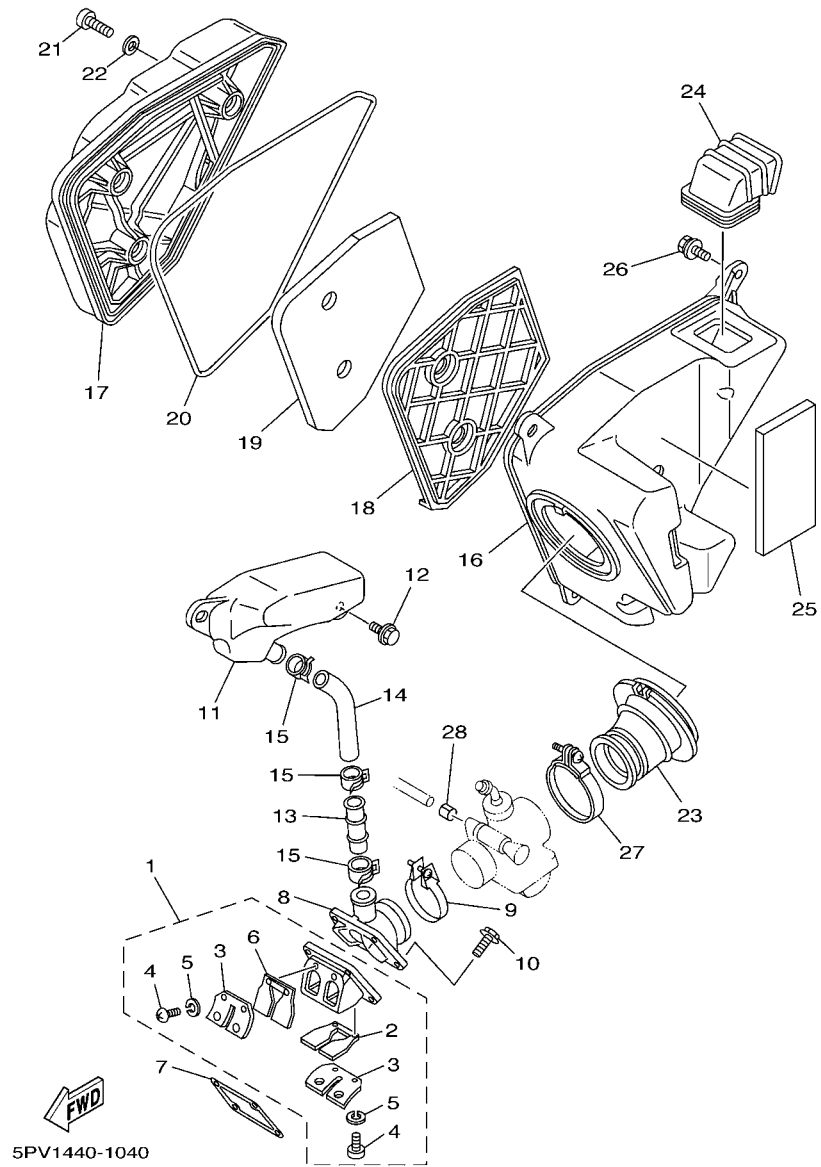


FIG. 4 INTAKE

REF. NO.	PART NO.	DESCRIPTION	5PV3				REMARKS
1	3BS-13610-00	REED VALVE ASSY	1				
2	3BS-13613-00	.REED, VALVE	1				
3	10V-13616-01	.STOPPER, REED VALVE	2				
4	98507-03008	.SCREW, PAN HEAD	4				
5	92907-03100	.WASHER, SPRING	4				
6	3BS-13613-10	.REED, VALVE	1				
7	3GG-13621-00	GASKET, VALVE SEAT	1				
8	31K-13565-01	JOINT, CARBURETOR	1				
9	3XL-13575-00	BAND	1				
10	95027-06025	BOLT, FLANGE	4				
11	55K-13581-01	CHAMBER, AIR	1				
12	90119-06117	BOLT, WITH WASHER	2				
13	55K-13584-00	PIPE, INTAKE MANIFOLD	1				
14	90445-21551	HOSE (L165)	1				
15	90467-20050	CLIP	3				
16	55F-E4411-00	CASE, AIR CLEANER 1	1				
17	55F-E4412-00	CAP, CLEANER CASE 1	1				
18	55F-E4468-00	PLATE,ELEMENT FITTING	1				
19	3BS-E4451-00	ELEMENT, AIR CLEANER	1				
20	3XL-E4476-00	SEAL	1				
21	98507-06025	SCREW, PAN HEAD	3				
22	92907-06600	WASHER, PLATE	3				
23	3XL-E4453-00	JOINT, AIR CLEANER 1	1				
24	29N-14437-00	DUCT	1				
25	3BS-F1747-00	DAMPER	1				
26	90159-06084	SCREW, WITH WASHER	2				
27	90460-49058	CLAMP, HOSE	1				

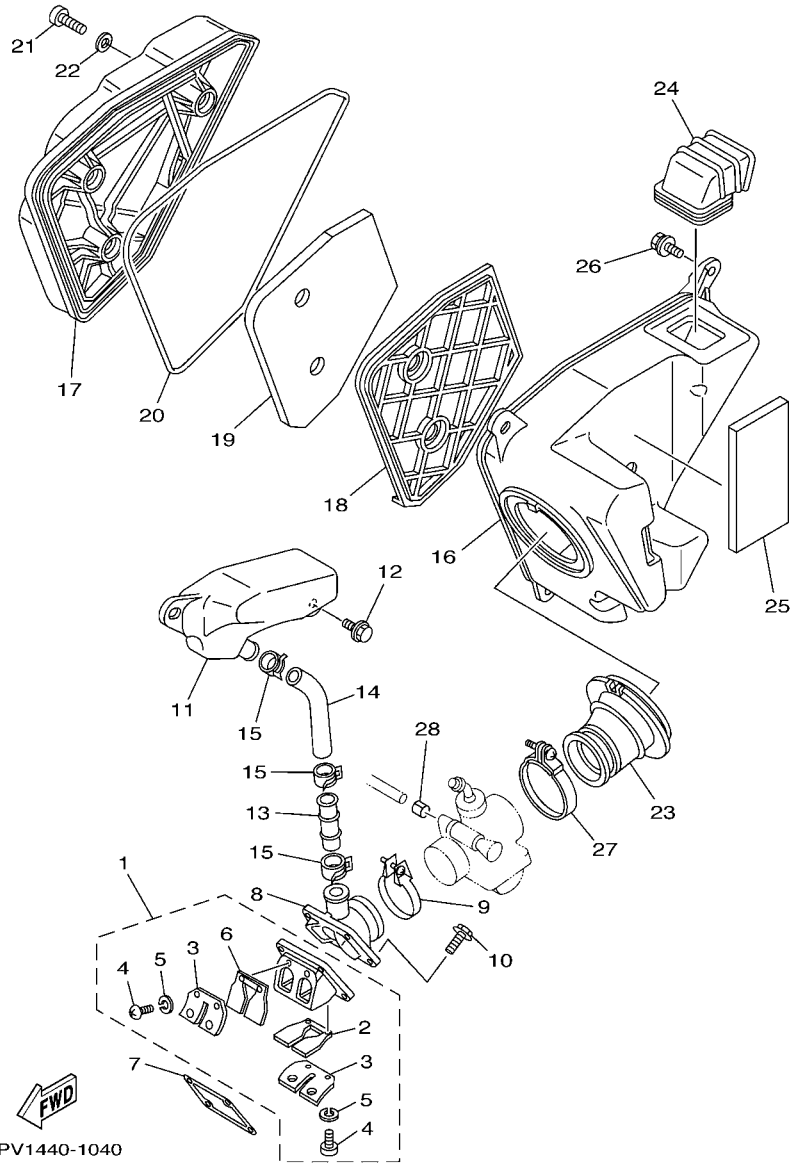


FIG. 4 INTAKE

REF. NO.	PART NO.	DESCRIPTION	5PV3				REMARKS
28	90468-02033	CLIP	1				

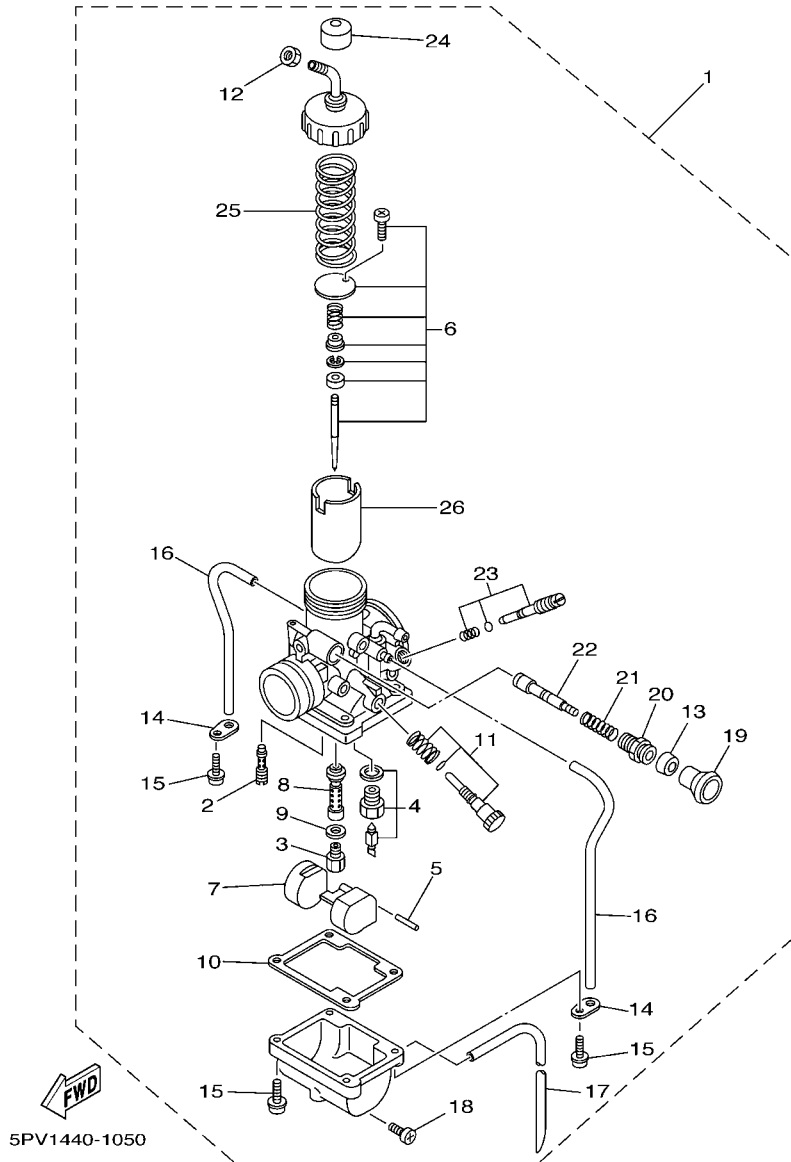
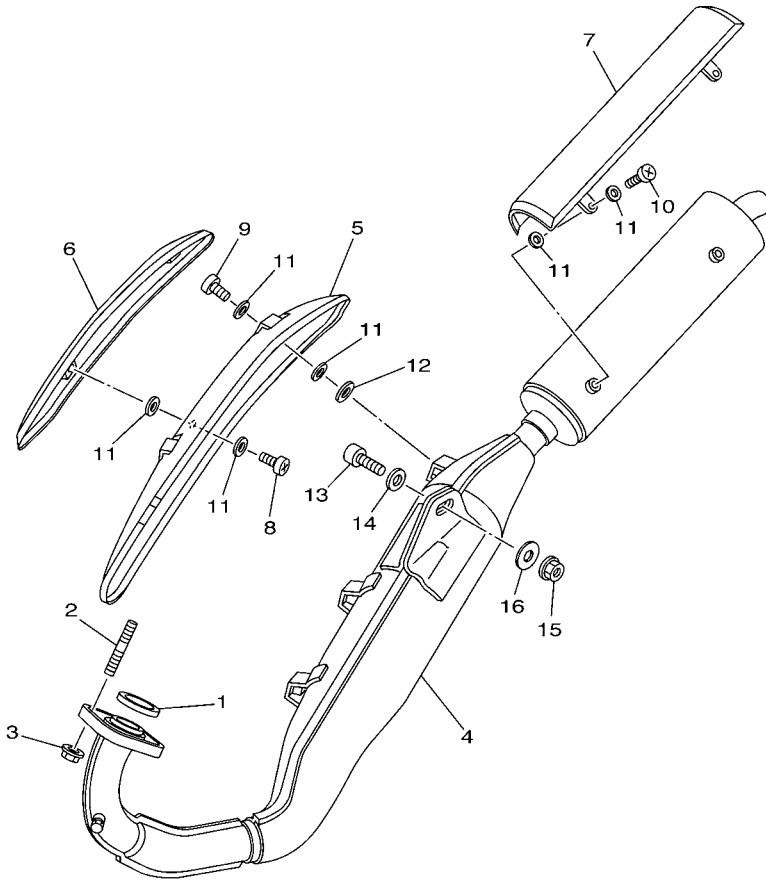


FIG. 5 CARBURETOR

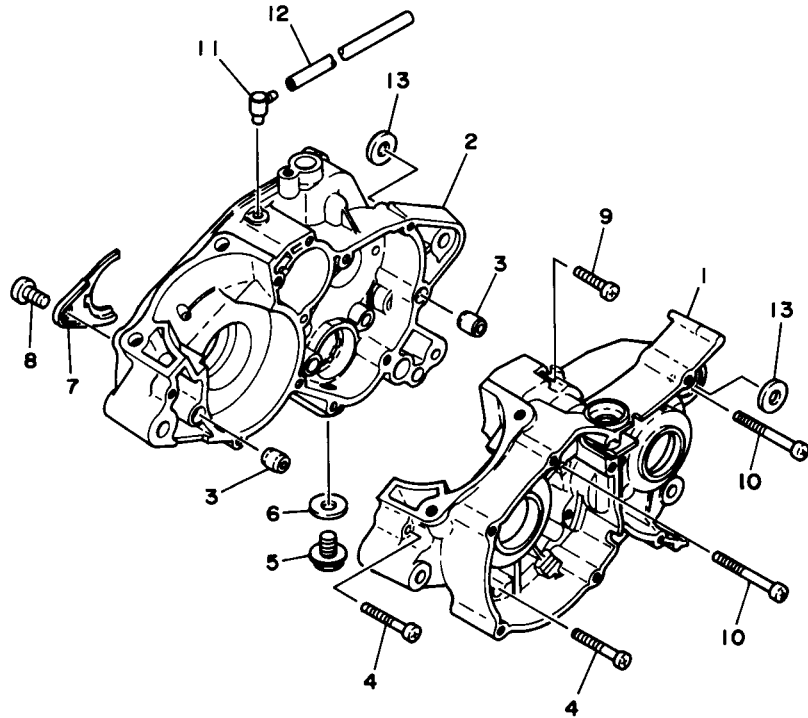
REF. NO.	PART NO.	DESCRIPTION	SPV3				REMARKS
1	5PV-E4101-00	CARBURETOR ASSY 1	1				
2	1NT-14142-22	.JET, PILOT (# 22.5)	1				
3	137-14143-39	.JET, MAIN (#195)	1				
4	1TT-14107-25	.NEEDLE VALVE SET	1				
5	127-14186-00	.PIN, FLOAT	1				
6	5PV-1490J-00	.NEEDLE SET	1				
7	314-14185-00	.FLOAT	1				
8	5PV-14141-38	.NOZZLE, MAIN	1				
9	137-14153-00	.WASHER, MAIN JET	1				
10	304-14184-00	.GASKET, FLOAT CHAMBER	1				
11	31J-14103-00	.THROTTLE SCREW SET	1				
12	802-14161-00	.NUT, CABLE ADJUSTING	1				
13	353-14138-00	.CLIP, PLUNGER	1				
14	132-14146-00	.PLATE	2				
15	97607-04116	.SCREW, WITH WASHER	4				
16	183-14197-00	.PIPE	2				
17	3RR-14193-10	.PIPE	1				
18	12R-14191-00	.PLUG, DRAIN	1				
19	132-14173-00	.COVER, PLUNGER CAP	1				
20	152-14174-00	.CAP, PLUNGER	1				
21	156-14135-00	.SPRING, PLUNGER	1				
22	5PV-14171-00	.PLUNGER, STARTER	1				
23	10W-14104-00	.AIR SCREW SET	1				
24	3X3-14169-00	.CAP	1				
25	248-14131-00	.SPRING, THROTTLE VALVE	1				
26	3RR-1411F-20	.VALVE, THROTTLE 2	1				



FWD
5PV2440-D060

FIG. 6 EXHAUST

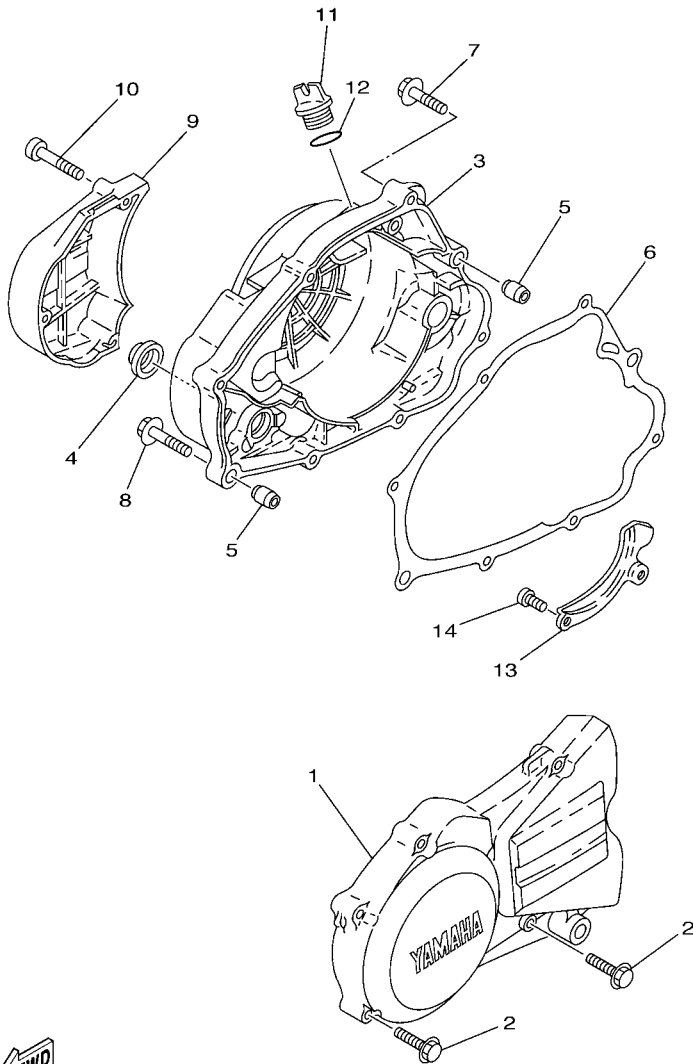
REF. NO.	PART NO.	DESCRIPTION	5PV3				REMARKS
1	3PA-14613-10	GASKET, EXHAUST PIPE	1				
2	90116-08166	BOLT, STUD	2				
3	95707-08500	NUT, FLANGE	2				
4	5PV-E4711-01	MUFFLER 1	1				
5	5PV-E4718-00	PROTECTOR, MUFFLER 1	1				
6	5PV-E4728-00	PROTECTOR, MUFFLER 2	1				
7	5PV-E4758-00	PROTECTOR, SILENCER	1				
8	98907-06010	SCREW, BIND	3				
9	98980-06010	SCREW, BIND	2				
10	98907-06008	SCREW, BIND	4				
11	90201-05013	WASHER, PLATE	18				
12	90201-06055	WASHER, PLATE	3				
13	91314-10035	BOLT	1				
14	92907-10600	WASHER, PLATE	1				
15	95707-10500	NUT, FLANGE	1				
16	90201-101J1	WASHER, PLATE	1				



FWD
55K400-5070

FIG. 7 CRANKCASE

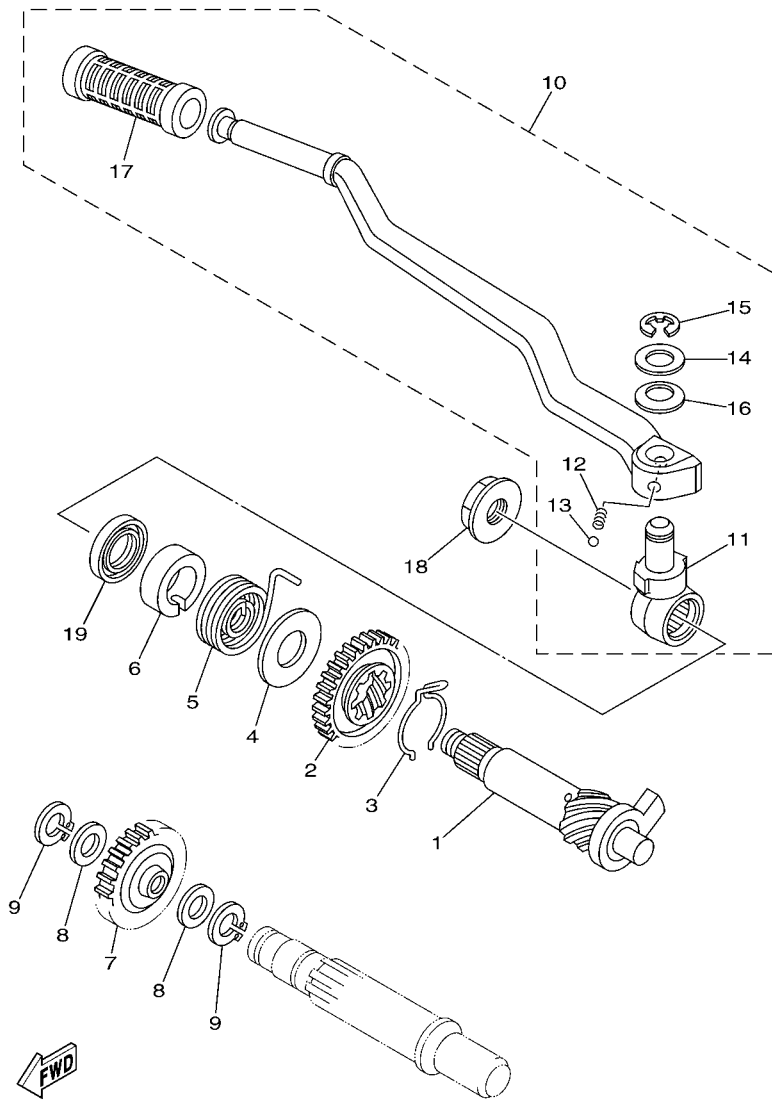
REF. NO.	PART NO.	DESCRIPTION	SPV3				REMARKS
1	55K-15111-00	CRANKCASE 1	1				
2	55K-15121-00	CRANKCASE 2	1				
3	99530-12016	PIN, DOWEL	2				
4	98507-06045	SCREW, PAN HEAD	6				
5	90340-12059	PLUG, STRAIGHT SCREW	1				
6	90430-12227	GASKET	1				
7	55K-15128-00	HOLDER	1				
8	98507-08010	SCREW, PAN HEAD	1				
9	98507-06030	SCREW, PAN HEAD	1				
10	98507-06060	SCREW, PAN HEAD	5				
11	120-15371-00	BREATHER	1				
12	90446-07009	HOSE	1				
13	90201-122F8	WASHER, PLATE	2				



5PV1440-1080

FIG. 8 CRANKCASE COVER 1

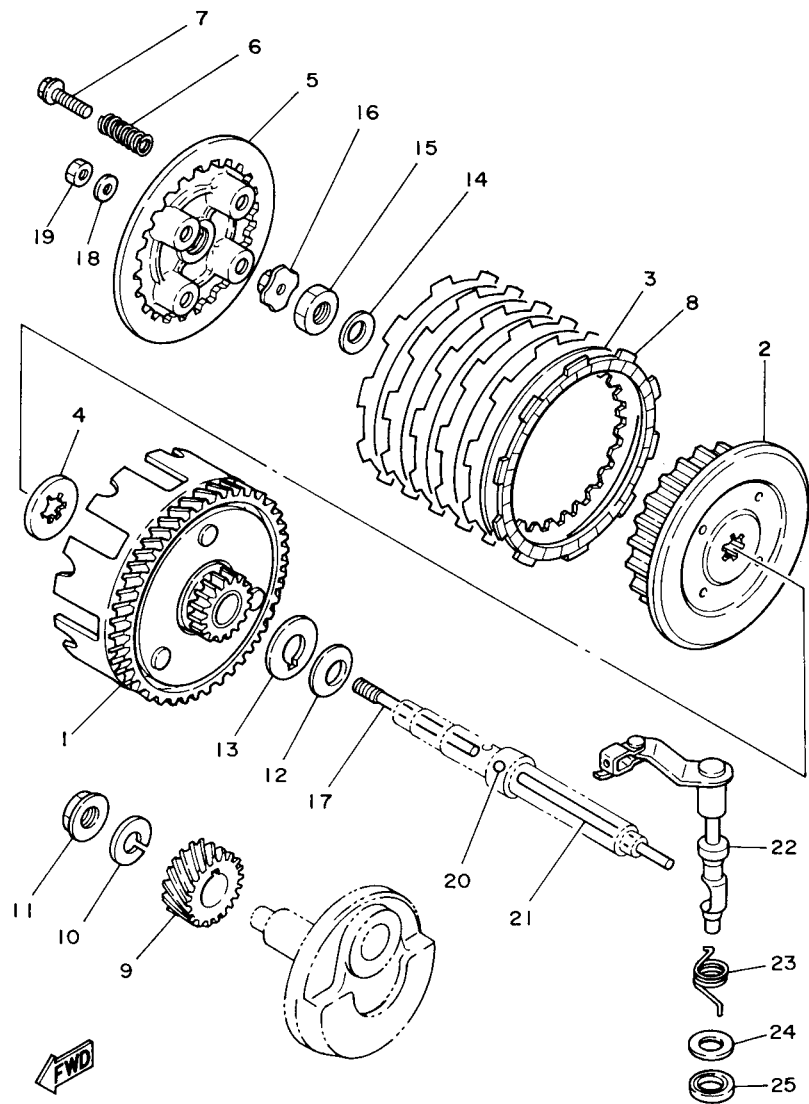
REF. NO.	PART NO.	DESCRIPTION	5PV3				REMARKS
1	3XL-E5411-00	COVER, CRANKCASE 1	1				
2	95027-06030	BOLT, FLANGE	6				
3	55K-15421-10	COVER, CRANKCASE 2	1				
4	3Y1-15361-00	GAUGE, LEVEL	1				
5	99530-10114	PIN, DOWEL	2				
6	55K-15451-01	GASKET, CRANKCASE COVER 1	1				
7	95027-06030	BOLT, FLANGE	6				
8	95027-06035	BOLT, FLANGE	2				
9	55K-15416-10	COVER, OIL PUMP	1				
10	95027-06040	BOLT, FLANGE	2				
11	3Y1-15363-00	PLUG, OIL	1				
12	93210-19123	O-RING	1				
13	2RH-15492-00	COVER	1				
14	90157-06071	SCREW, PAN HEAD	2				



3XL3440-0090

FIG. 9 STARTER

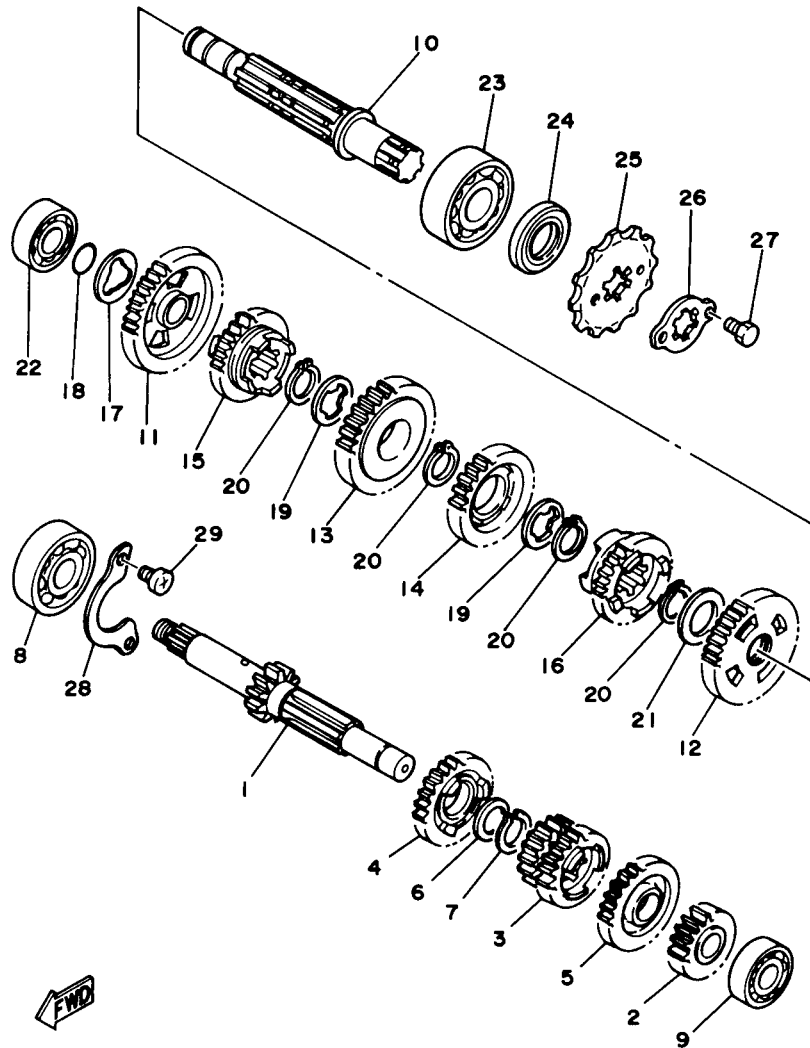
REF. NO.	PART NO.	DESCRIPTION	SPV3				REMARKS
1	55K-15660-00	KICK AXLE ASSY	1				
2	10V-15641-00	GEAR, KICK (23T)	1				
3	90468-26048	CLIP	1				
4	90201-202F9	WASHER, PLATE	1				
5	90508-26556	SPRING, TORSION	1				
6	10V-15666-00	SPACER	1				
7	10V-15651-00	GEAR, KICK IDLE (29T)	1				
8	90201-154E8	WASHER, PLATE (T=1.0)	2				
9	99009-15400	CIRCLIP	2				
10	3XL-E5620-00	KICK CRANK ASSY	1				
11	3XL-E5621-00	.BOSS, KICK CRANK	1				
12	90501-13866	.SPRING, COMPRESSION	1				
13	93507-32819	.BALL	1				
14	90201-127J6	.WASHER, PLATE	1				
15	93430-08007	.CIRCLIP	1				
16	90208-12040	.WASHER, CONICAL SPRING	1				
17	2N9-E5618-00	.COVER, KICK LEVER	1				
18	90179-12659	NUT	1				
19	93109-20014	OIL SEAL	1				



3XL2440-3100

FIG. 10 CLUTCH

REF. NO.	PART NO.	DESCRIPTION	SPV3				REMARKS
1	55K-16150-00	PRIMARY DRIVEN GEAR COMP.(71T)	1				
2	4Y2-16371-01	BOSS, CLUTCH	1				
3	1V1-16324-00	PLATE, CLUTCH 1	5				
4	4V0-16154-00	PLATE, THRUST 1	1				
5	10V-16351-00	PLATE, PRESSURE 1	1				
6	90501-20568	SPRING, COMPRESSION	4				
7	90119-05001	BOLT, WITH WASHER	4				
8	4V0-16321-00	PLATE, FRICTION	6				
9	2A6-16111-00	GEAR, PRIMARY DRIVE (22T)	1				
10	90204-12007	WASHER, SPRING	1				
11	90179-12659	NUT	1				
12	90208-17032	WASHER, CONICAL SPRING	1				
13	10V-16154-00	PLATE, THRUST 1	1				
14	90208-12015	WASHER, CONICAL SPRING	1				
15	90170-12060	NUT	1				
16	1W1-16358-01	PLATE, PUSH	1				
17	1W1-16356-02	ROD, PUSH 1	1				
18	92907-06200	WASHER	1				
19	95307-06600	NUT	1				
20	93503-16003	BALL	1				
21	2X3-16357-00	ROD, PUSH 2	1				
22	55K-16380-01	PUSH LEVER ASSY	1				
23	90508-20555	SPRING, TORSION	1				
24	90201-14217	WASHER, PLATE	1				
25	93104-14004	OIL SEAL	1				



FWD
36S440-8110

FIG. 11 TRANSMISSION

REF. NO.	PART NO.	DESCRIPTION	SPV3				REMARKS
1	55K-17411-01	AXLE, MAIN (12T)	1				
2	55K-17121-00	GEAR, 2ND PINION (16T)	1				
3	10W-17131-01	GEAR, 3RD/4TH PINION (19T/21T)	1				
4	10W-17151-02	GEAR, 5TH PINION (23T)	1				
5	55G-17161-00	GEAR, 6TH PINION (24T)	1				
6	90201-20266	WASHER, PLATE (T=1.0)	1				
7	93410-20038	CIRCLIP	1				
8	93306-30304	BEARING	1				
9	93306-20201	BEARING	1				
10	55K-17421-00	AXLE, DRIVE	1				
11	10W-17211-00	GEAR, 1ST WHEEL (34T)	1				
12	10W-17221-00	GEAR, 2ND WHEEL (29T)	1				
13	10W-17231-00	GEAR, 3RD WHEEL (26T)	1				
14	10W-17241-01	GEAR, 4TH WHEEL (24T)	1				
15	10W-17251-01	GEAR, 5TH WHEEL (23T)	1				
16	10W-17261-00	GEAR, 6TH WHEEL (22T)	1				
17	90209-15270	WASHER	1				
18	93210-12095	O-RING	1				
19	90209-18135	WASHER	2				
20	93410-22039	CIRCLIP	4				
21	90201-22555	WASHER, PLATE	1				
22	93306-20201	BEARING	1				
23	93306-30401	BEARING	1				
24	93102-20143	OIL SEAL	1				
25	93822-16095	SPROCKET,DRIVE (16T)	1				
26	5H0-17456-00	HOLDER, SPROCKET	1				
27	97027-06010	BOLT	2				

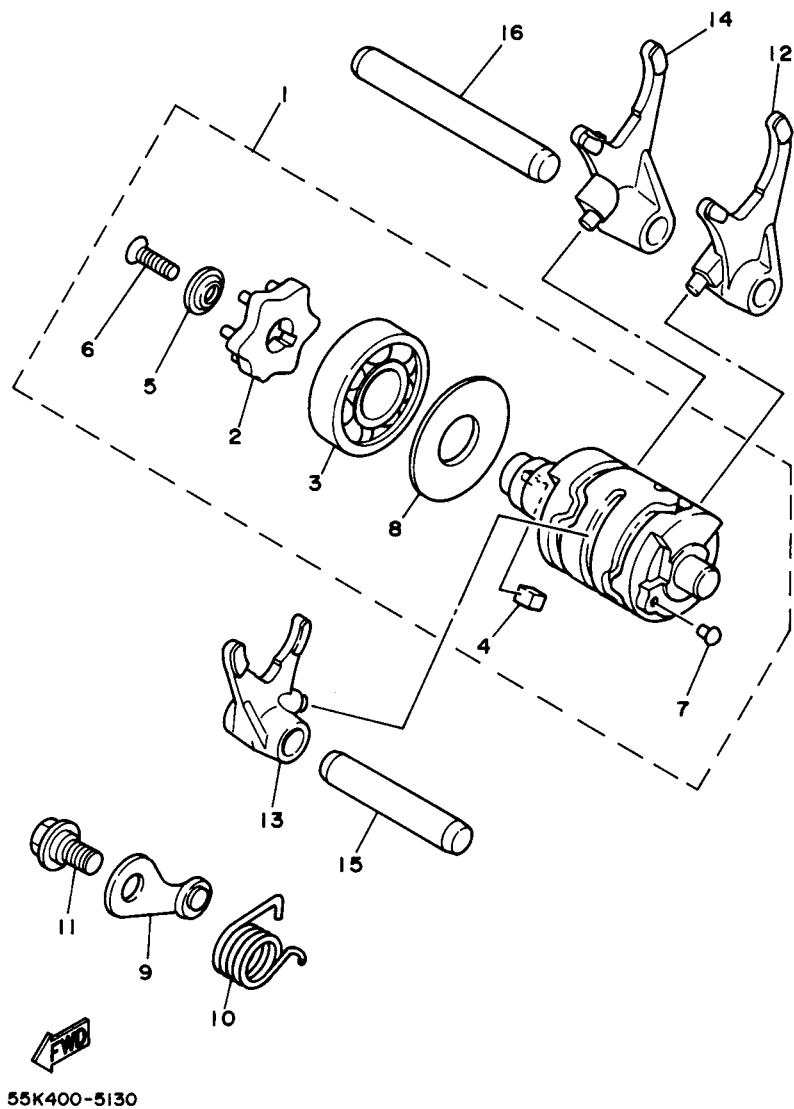
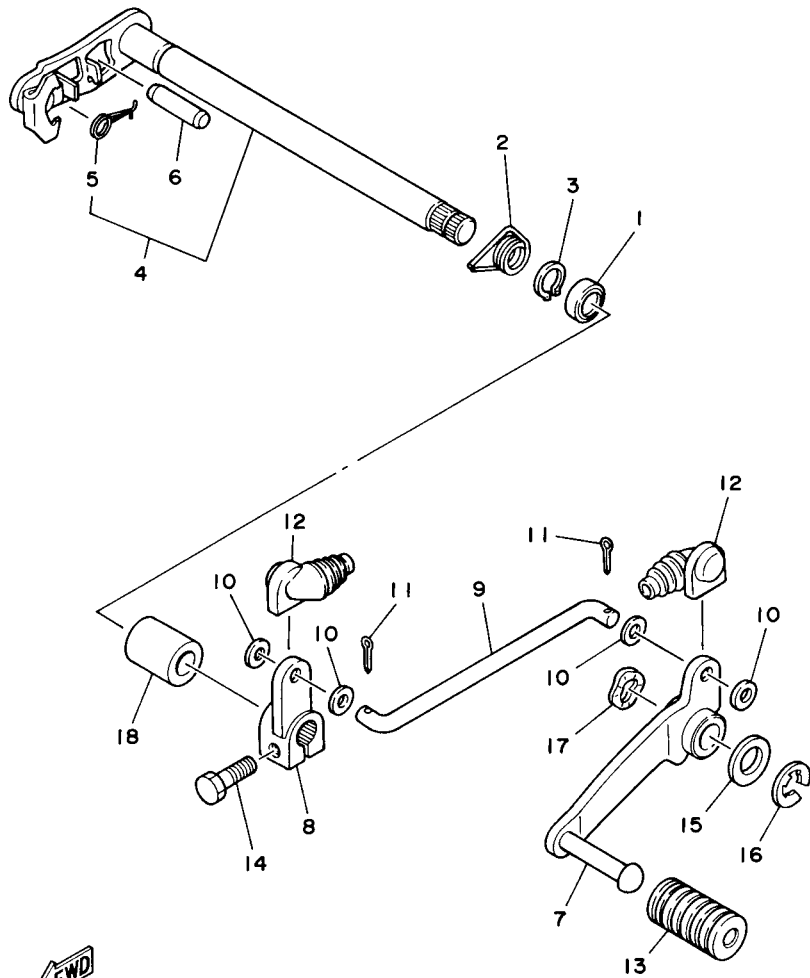


FIG. 13 SHIFT CAM & FORK

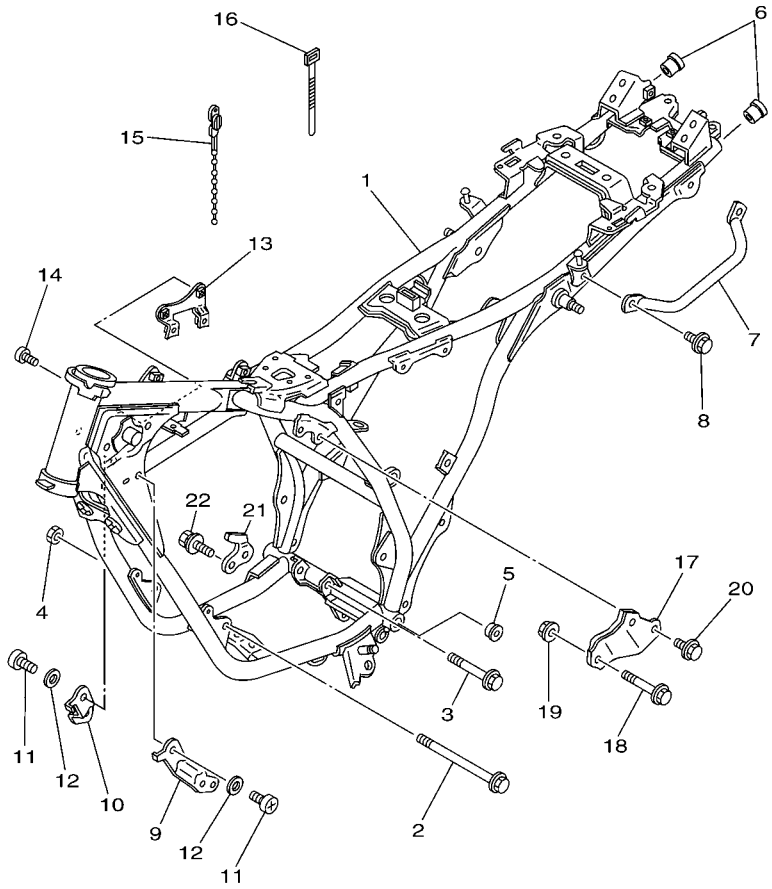
REF. NO.	PART NO.	DESCRIPTION	SPV3				REMARKS
1	55G-18540-00	SHIFT CAM ASSY	1				
2	5R2-18185-00	.SEGMENT	1				
3	93306-00422	.BEARING	1				
4	90282-04036	.KEY, STRAIGHT	1				
5	3R4-18561-00	.PLATE, SIDE 1	1				
6	90151-05023	.SCREW, COUNTERSUNK	1				
7	136-18542-00	.POINT, NEUTRAL	1				
8	90201-203F0	.WASHER, PLATE (T=0.5)	1				
9	10V-18140-00	STOPPER LEVER ASSY	1				
10	90508-26561	SPRING, TORSION	1				
11	90109-063F7	BOLT	1				
12	55K-18511-01	FORK, SHIFT 1	1				
13	55K-18512-00	FORK, SHIFT 2	1				
14	55K-18513-00	FORK, SHIFT 3	1				
15	55K-18531-00	BAR, SHIFT FORK GUIDE 1	1				
16	55K-18535-00	BAR, SHIFT FORK GUIDE 2	1				



3BS440-8140

FIG. 14 SHIFT SHAFT

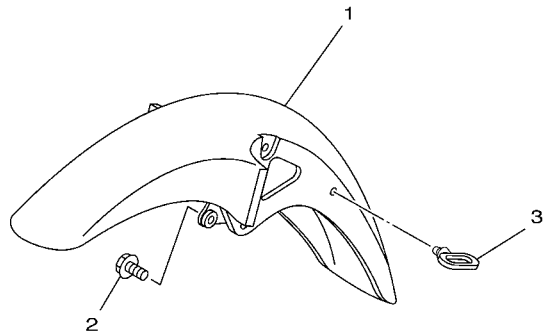
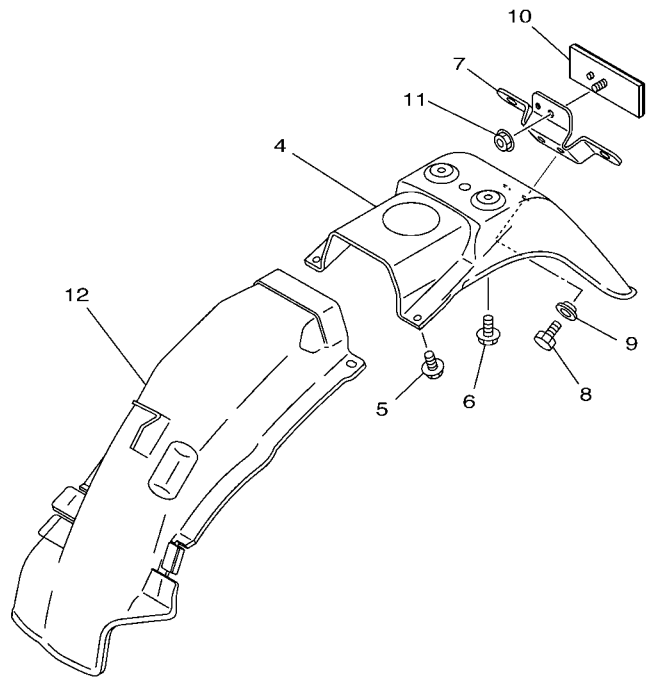
REF. NO.	PART NO.	DESCRIPTION	SPV3				REMARKS
1	93101-12173	OIL SEAL	1				
2	90508-32642	SPRING, TORSION	1				
3	99001-10600	CIRCLIP	1				
4	55K-18101-05	SHIFT SHAFT ASSY	1				
5	90508-10514	.SPRING, TORSION	1				
6	93608-30152	PIN, DOWEL	1				
7	3XL-E8111-00	PEDAL, SHIFT	1				
8	3XL-E8112-00	ARM, SHIFT	1				
9	3XL-E8115-00	ROD, SHIFT	1				
10	92907-06200	WASHER	4				
11	91401-20012	PIN, COTTER	2				
12	5R2-18154-00	COVER, DUST	2				
13	5H3-E8113-00	COVER, SHIFT PEDAL	1				
14	97027-06020	BOLT	1				
15	90201-12749	WASHER, PLATE	1				
16	99009-12400	CIRCLIP	1				
17	90206-12074	WASHER, WAVE	1				
18	90560-12191	SPACER	1				



FWD
5PV3440-F150

FIG. 15 FRAME

REF. NO.	PART NO.	DESCRIPTION	5PV3				REMARKS
1	5PV-F1110-00-33	FRAME COMP.	1				YB
2	90105-08045	BOLT, FLANGE	1				
3	90105-08721	BOLT, FLANGE	1				
4	90185-08054	NUT, SELF-LOCKING	1				
5	90338-18122	PLUG	2				
6	90338-16148	PLUG	2				
7	55F-F1165-00	HANDLE, STANDING	1				
8	95807-08012	BOLT, FLANGE	2				
9	55F-F113J-00	BRACKET, REFLECTOR 1	1				
10	55F-F113K-00	BRACKET, REFLECTOR 2	1				
11	98507-06012	SCREW, PAN HEAD	2				
12	92907-06600	WASHER, PLATE	2				
13	55F-F1359-00	BRACKET, COIL	1				
14	98907-06012	SCREW, BIND	2				
15	90464-20031	CLAMP	3				
16	437-83936-01	BAND, SWITCH CORD	1				
17	5PV-F1315-00	STAY, ENGINE 2	1				
18	95817-08040	BOLT, FLANGE	1				
19	95707-08500	NUT, FLANGE	1				
20	95817-08016	BOLT, FLANGE	2				
21	3XL-F741G-00	STOPPER, KICK CRANK	1				
22	97527-06520	BOLT, WITH WASHER	2				



5PV1440-1160

FIG. 16 FENDER

REF. NO.	PART NO.	DESCRIPTION	5PV3				REMARKS
1	55F-F1510-10-P9	FRONT FENDER COMP.	1				UR FOR DRMK
	55F-F1510-10-PA	FRONT FENDER COMP.	1				UR FOR BMC
	55F-F1510-10-PB	FRONT FENDER COMP.	1				UR FOR SMX
2	95817-06016	BOLT, FLANGE	4				
3	15K-F1518-00	HOLDER, CABLE	1				
4	55F-F1611-01	FENDER, REAR	1				
5	90119-06044	BOLT, WITH WASHER	2				
6	90119-06114	BOLT, WITH WASHER	2				
7	4HF-F1685-00	BRACKET, LICENSE	1				
8	97007-06016	BOLT	2				
9	90387-06820	COLLAR	2				
10	4VH-H5130-00	REAR REFLECTOR ASSY	1				
11	95707-05500	NUT, FLANGE	1				
12	55F-F1629-00	GUARD, MUD	1				

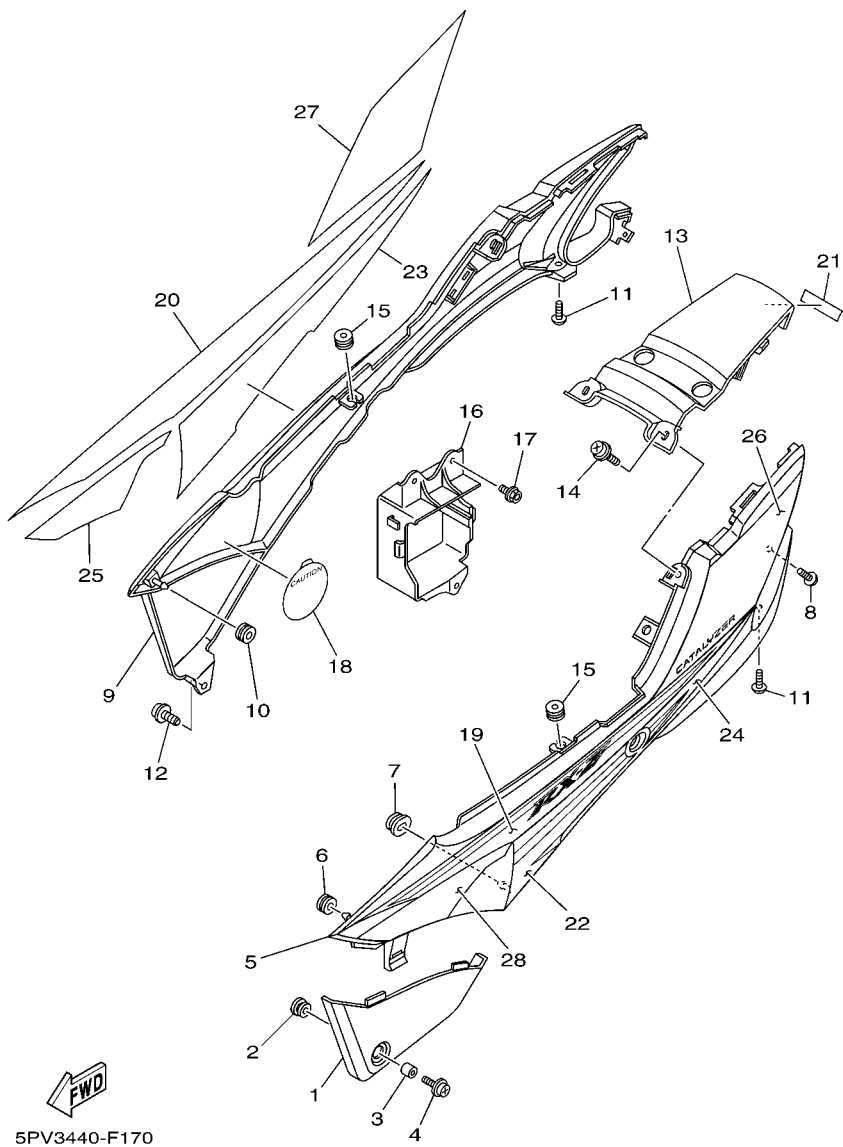


FIG. 17 SIDE COVER

REF. NO.	PART NO.	DESCRIPTION	5PV3				REMARKS
1	5PV-F1711-00	COVER, SIDE 1	1				
2	90480-13398	GROMMET	1				
3	90387-060G7	COLLAR	1				
4	90159-06067	SCREW, WITH WASHER	1				
5	5PV-F1731-00-P2	COVER, SIDE 3	1				SMX
6	90480-13804	GROMMET	1				
7	90480-01141	GROMMET	1				
8	97707-50016	SCREW, TRUSS HEAD TAPPING	1				
9	5PV-F1741-00-P2	COVER, SIDE 4	1				SMX
10	90480-13804	GROMMET	1				
11	97707-50016	SCREW, TRUSS HEAD TAPPING	2				
12	90159-06067	SCREW, WITH WASHER	1				
13	5PV-F171E-00-P2	COVER, SIDE 5	1				SMX
14	90159-06067	SCREW, WITH WASHER	2				
15	90480-12053	GROMMET	2				
16	55F-F177G-00	BOX, BATTERY	1				
17	90119-06079	BOLT, WITH WASHER	3				
18	55F-F1785-00	EMBLEM 5	1				
19	5PV-F173E-60	GRAPHIC 1	1				UR FOR DRMK
	5PV-F173E-70	GRAPHIC 1	1				UR FOR BMC
	5PV-F173E-80	GRAPHIC 1	1				UR FOR SMX
20	5PV-F173F-60	GRAPHIC 2	1				UR FOR DRMK
	5PV-F173F-70	GRAPHIC 2	1				UR FOR BMC
	5PV-F173F-80	GRAPHIC 2	1				UR FOR SMX
21	99236-00080	EMBLEM, YAMAHA	1				
22	5PV-F174G-30	GRAPHIC 3	1				UR FOR DRMK
	5PV-F174G-40	GRAPHIC 3	1				UR FOR BMC

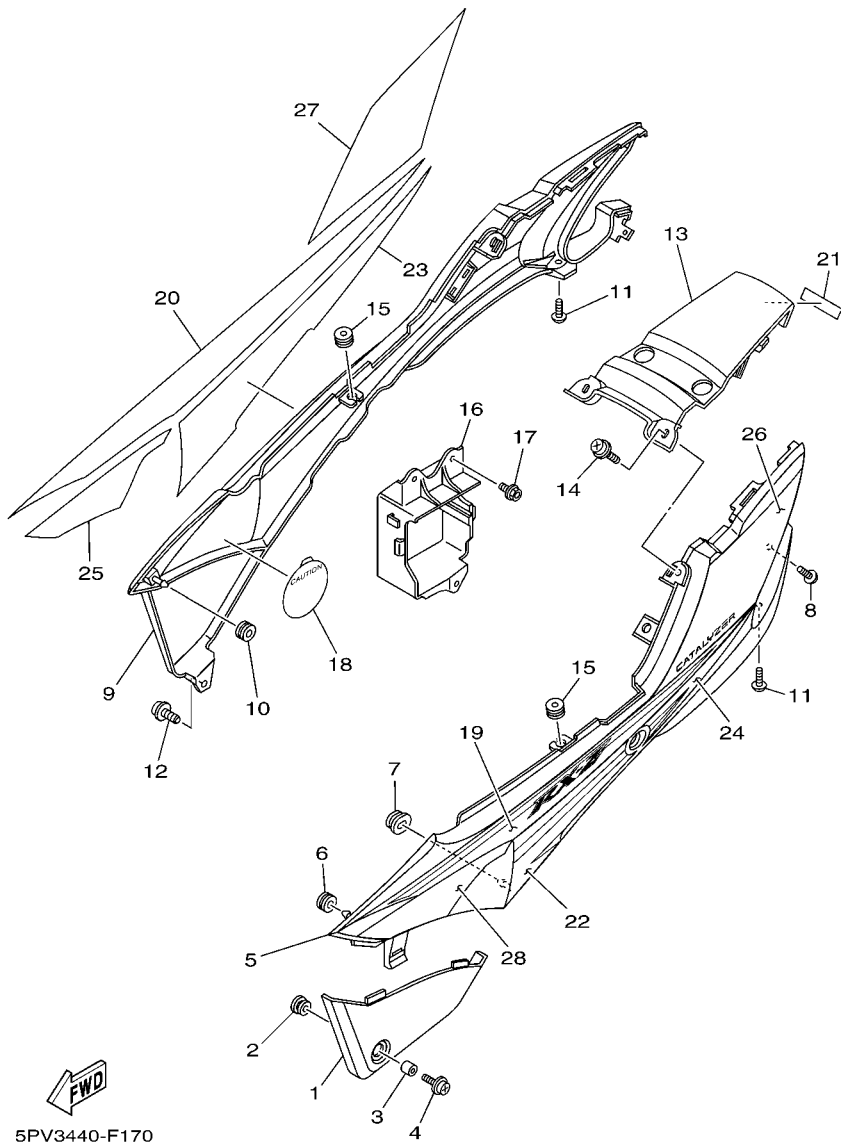
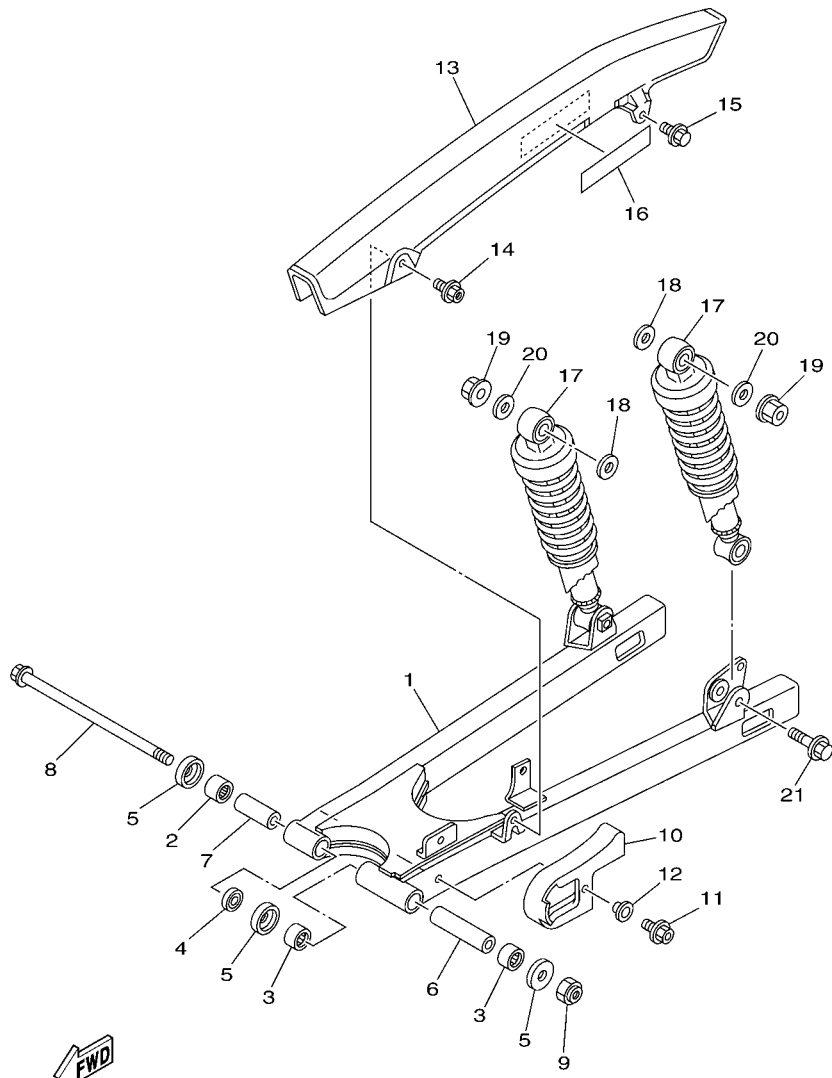


FIG. 17 SIDE COVER

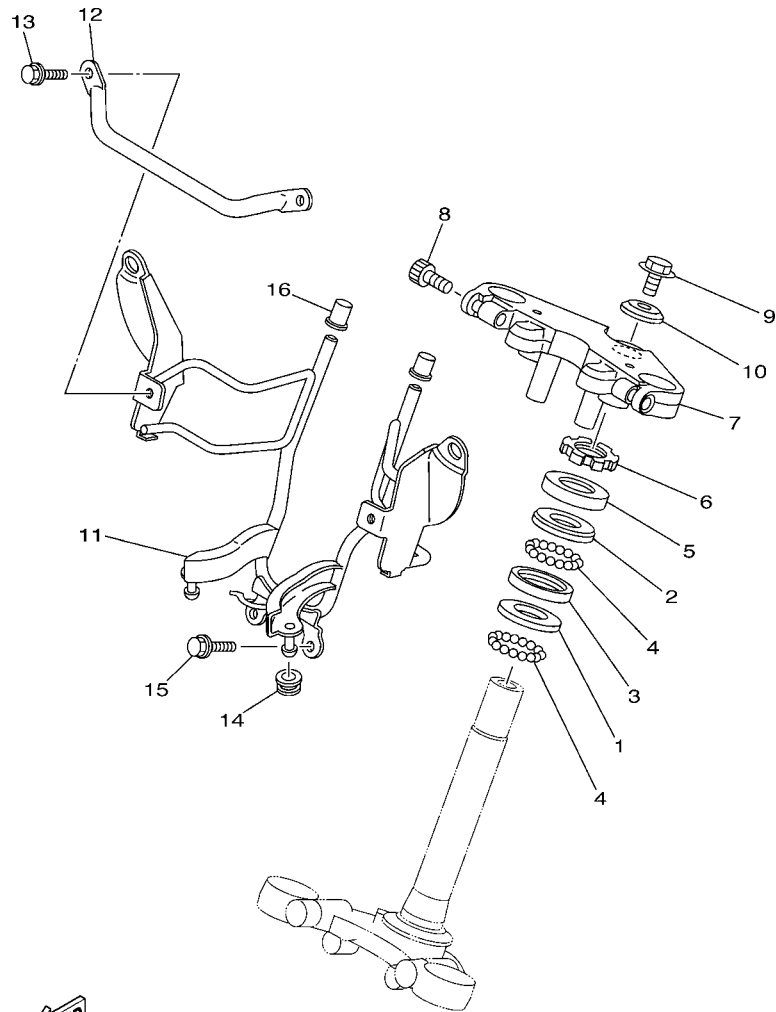
REF. NO.	PART NO.	DESCRIPTION	5PV3				REMARKS
22	5PV-F174G-50	GRAPHIC 3	1				UR FOR SMX
23	5PV-F174H-30	GRAPHIC 4	1				UR FOR DRMK
	5PV-F174H-40	GRAPHIC 4	1				UR FOR BMC
	5PV-F174H-50	GRAPHIC 4	1				UR FOR SMX
24	5PV-F174J-30	GRAPHIC 5	1				UR FOR DRMK
	5PV-F174J-40	GRAPHIC 5	1				UR FOR BMC
	5PV-F174J-50	GRAPHIC 5	1				UR FOR SMX
25	5PV-F174K-30	GRAPHIC 6	1				UR FOR DRMK
	5PV-F174K-40	GRAPHIC 6	1				UR FOR BMC
	5PV-F174K-50	GRAPHIC 6	1				UR FOR SMX
26	5PV-F173X-30	GRAPHIC 7	1				UR FOR DRMK
	5PV-F173X-40	GRAPHIC 7	1				UR FOR BMC
	5PV-F173X-50	GRAPHIC 7	1				UR FOR SMX
27	5PV-F173Y-00	GRAPHIC 8	1				UR FOR DRMK
	5PV-F173Y-10	GRAPHIC 8	1				UR FOR BMC
	5PV-F173Y-20	GRAPHIC 8	1				UR FOR SMX
28	5PV-F179L-00	GRAPHIC 9	1				UR FOR DRMK
	5PV-F179L-10	GRAPHIC 9	1				UR FOR BMC
	5PV-F179L-20	GRAPHIC 9	1				UR FOR SMX



5PV3440-F190

FIG. 19 REAR ARM & SUSPENSION

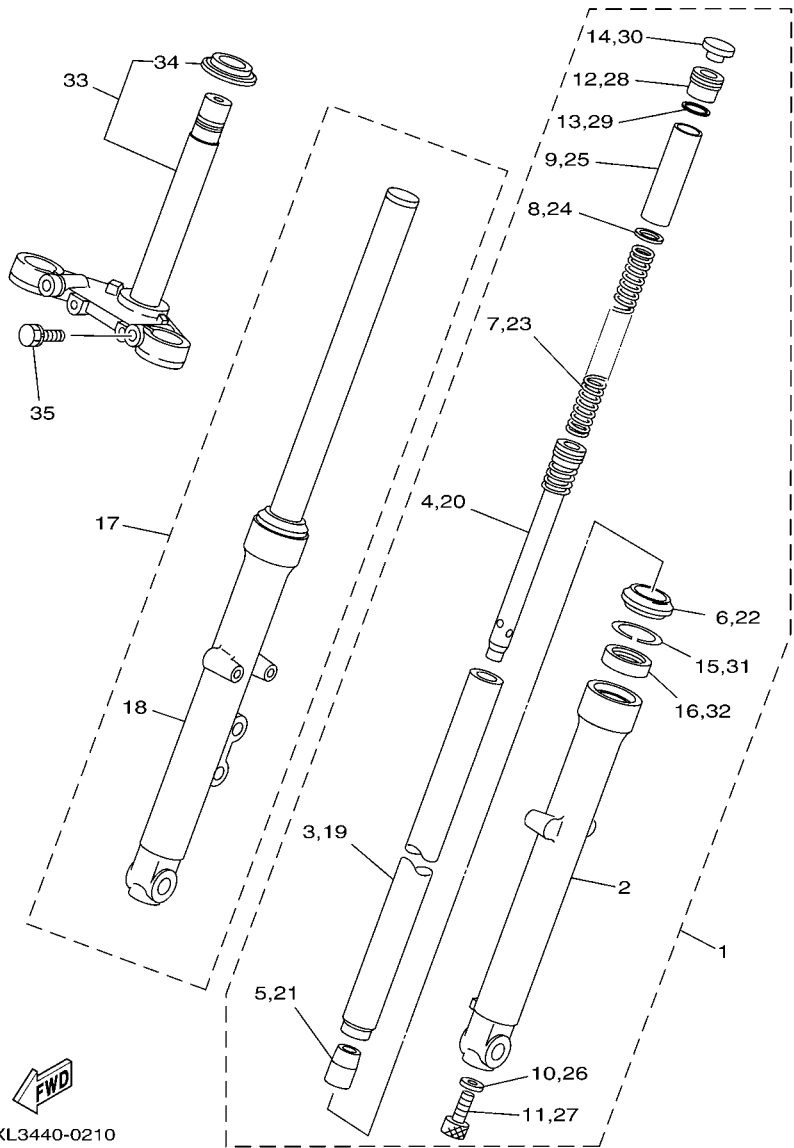
REF. NO.	PART NO.	DESCRIPTION	5PV3				REMARKS
1	5PV-F2110-00-WN	REAR ARM COMP.	1				CIS
2	93317-218Y4	BEARING	1				
3	93315-218Y4	BEARING	2				
4	93109-18824	OIL SEAL	1				
5	55K-22129-00	COVER, THRUST 2	3				
6	90387-12805	COLLAR	1				
7	90380-12816	BUSH, SOLID	1				
8	55K-22141-00	SHAFT, PIVOT	1				
9	95607-12200	NUT, SELF-LOCKING	1				
10	3XL-F2151-00	SEAL, GUARD	1				
11	90119-05062	BOLT, WITH WASHER	1				
12	90209-06187	WASHER	1				
13	55F-F2311-00	CASE, CHAIN	1				
14	90119-06117	BOLT, WITH WASHER	1				
15	90119-06056	BOLT, WITH WASHER	1				
16	55F-F1668-00	LABEL, TIRE	1				
17	3XL-F2210-00	SHOCK ABSORBER ASSY, REAR	2				
18	90201-12190	WASHER, PLATE	2				
19	95707-10500	NUT, FLANGE	2				
20	90201-106F2	WASHER, PLATE	2				
21	90105-10778	BOLT, FLANGE	2				



5PV1440-1200

FIG. 20 STEERING

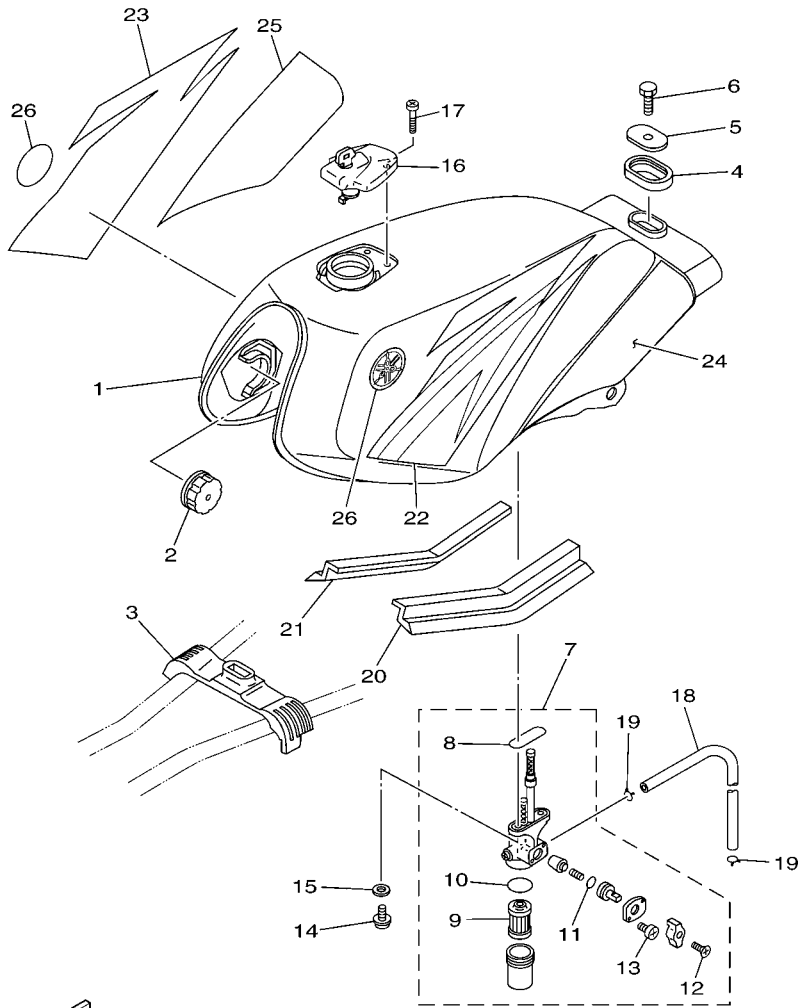
REF. NO.	PART NO.	DESCRIPTION	5PV3				REMARKS
1	156-23412-00	RACE, BALL 2	1				
2	183-23411-00	RACE, BALL 1	1				
3	183-23412-00	RACE, BALL 2	1				
4	93501-04011	BALL	38				
5	136-23415-00	COVER, BALL RACE 1	1				
6	90179-25802	NUT	1				
7	3XL-F3435-00	CROWN, HANDLE	1				
8	91314-08025	BOLT	2				
9	90105-10006	BOLT, FLANGE	1				
10	90209-10020	WASHER	1				
11	5PV-F3174-00	STAY, HEADLIGHT	1				
12	55F-F1165-00	HANDLE, STANDING	1				
13	95807-06012	BOLT, FLANGE	2				
14	90480-12320	GROMMET	2				
15	95807-06012	BOLT, FLANGE	2				
16	3Y6-2317J-00	DAMPER 1	2				



3XL3440-0210

FIG. 21 FRONT FORK

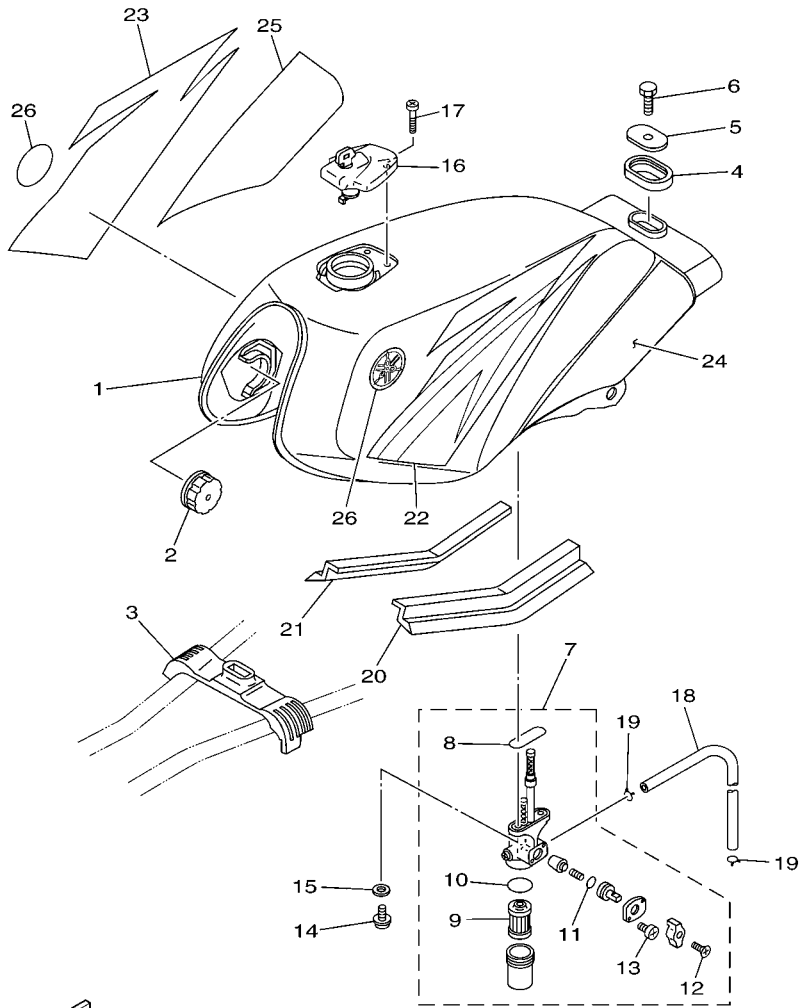
REF. NO.	PART NO.	DESCRIPTION	SPV3				REMARKS
1	5PV-F3102-10	FRONT FORK ASSY (L.H)	1				
2	5PV-F3106-00	.OUTER TUBE COMP. (L.H)	1				
3	3XL-F3110-10	.INNER TUBE COMP.1	1				
4	55F-F3170-00	.CYLINDER COMP., FRONT FORK	1				
5	2K5-F3173-00	.SPINDLE, TAPER	1				
6	3XL-F3144-10	.SEAL, DUST	1				
7	3XL-F3141-00	.SPRING, FRONT FORK	1				
8	3XL-F3146-10	.WASHER, OIL SEAL	1				
9	5PV-F3118-00	.SPACER	1				
10	509-F3158-L0	.GASKET	1				
11	278-F3181-50	.BOLT, HEXAGON SOCKET HEAD	1				
12	1X0-F3111-00	.BOLT, CAP	1				
13	146-F3114-00	.GASKET	1				
14	1X0-F3168-00	.CAP, FRONT FORK	1				
15	3V3-23122-00	.RING, SNAP	1				LM
16	3XL-F3145-10	.OIL SEAL	1				
17	5PV-F3103-10	FRONT FORK ASSY (R.H)	1				
18	5PV-F3107-00	.OUTER TUBE COMP. (R.H)	1				
19	3XL-F3110-10	.INNER TUBE COMP.1	1				
20	55F-F3170-00	.CYLINDER COMP., FRONT FORK	1				
21	2K5-F3173-00	.SPINDLE, TAPER	1				
22	3XL-F3144-10	.SEAL, DUST	1				
23	3XL-F3141-00	.SPRING, FRONT FORK	1				
24	3XL-F3146-10	.WASHER, OIL SEAL	1				
25	5PV-F3118-00	.SPACER	1				
26	509-F3158-L0	.GASKET	1				
27	278-F3181-50	.BOLT, HEXAGON SOCKET HEAD	1				



5PV3440-F220

FIG. 22 FUEL TANK

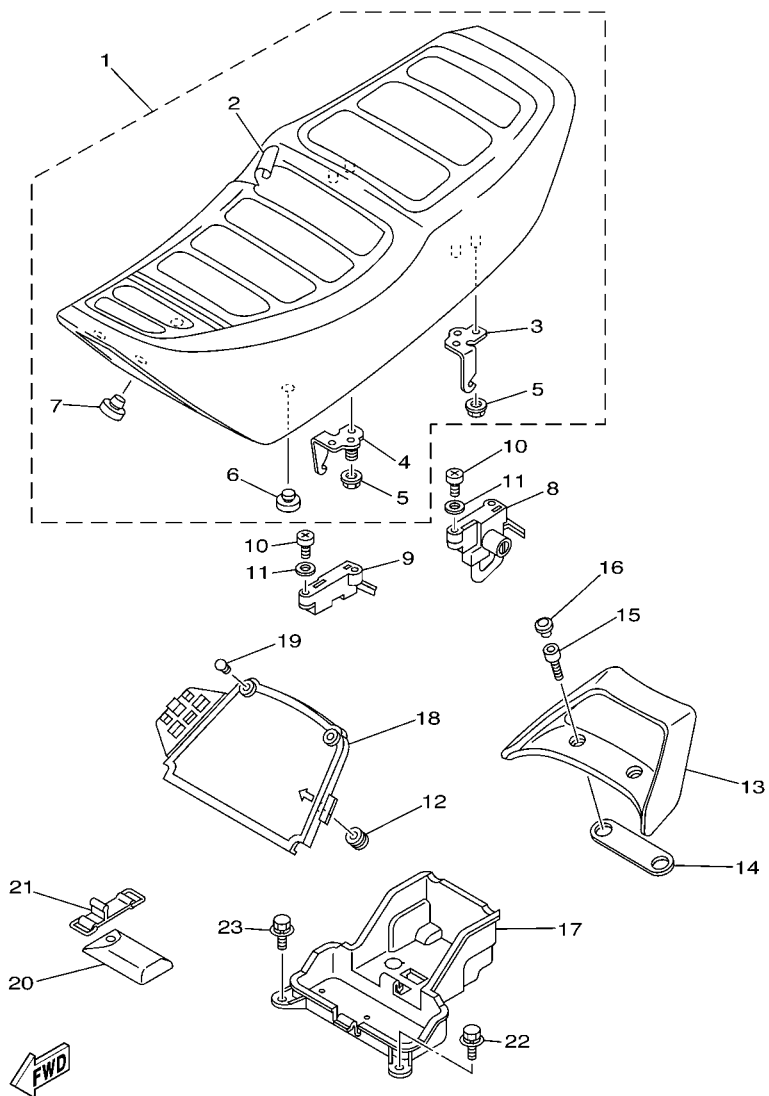
REF. NO.	PART NO.	DESCRIPTION	5PV3			REMARKS
1	3XL-F4110-00-PB	FUEL TANK COMP.	1			UR FOR DRMK
	3XL-F4110-00-PC	FUEL TANK COMP.	1			UR FOR BMC
	3XL-F4110-00-PD	FUEL TANK COMP.	1			UR FOR SMX
2	3XL-F4181-00	DAMPER, LOCATING 1	2			
3	3XL-F4182-00	DAMPER, LOCATING 2	1			
4	3Y6-24183-00	DAMPER, LOCATING 3	1			
5	3XL-F4186-00	WASHER, SPECIAL	1			
6	97007-08030	BOLT	1			
7	55F-24500-11	FUEL COCK ASSY 1	1			
8	4X8-24512-00	.O-RING	1			
9	55K-24515-01	.NET, FILTER 2	1			
10	55K-24565-00	.O-RING	1			
11	3AJ-24534-01	.SEAL, COCK	1			
12	90149-04242	.SCREW	1			
13	98507-03008	.SCREW, PAN HEAD	2			
14	90149-06011	SCREW	2			
15	90202-05193	WASHER, PLATE	2			
16	4X8-24650-05	CAP ASSY	1			
17	98507-05010	SCREW, PAN HEAD	2			
18	90445-091K5	HOSE (L485)	1			
19	90467-09006	CLIP	2			
20	5PV-F476U-00	PROTECTOR,1	1			
21	5PV-F476V-00	PROTECTOR,2	1			
22	5PV-F4244-60	GRAPHIC, FUEL TANK 1	1			UR FOR DRMK
	5PV-F4244-70	GRAPHIC, FUEL TANK 1	1			UR FOR BMC
	5PV-F4244-80	GRAPHIC, FUEL TANK 1	1			UR FOR SMX
23	5PV-F4245-60	GRAPHIC, FUEL TANK 2	1			UR FOR DRMK



5PV3440-F220

FIG. 22 FUEL TANK

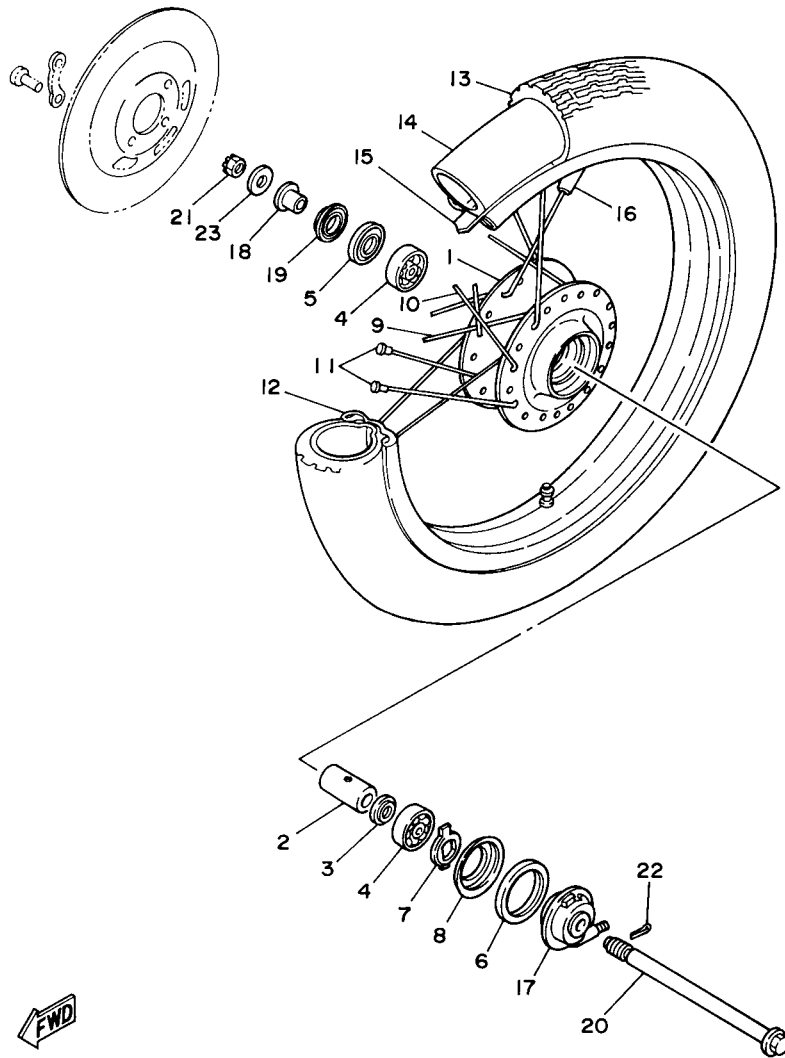
REF. NO.	PART NO.	DESCRIPTION	5PV3			REMARKS
23	5PV-F4245-70	GRAPHIC, FUEL TANK 2	1			UR FOR BMC
	5PV-F4245-80	GRAPHIC, FUEL TANK 2	1			UR FOR SMX
24	5PV-F4246-60	GRAPHIC 3	1			UR FOR DRMK,BMC
	5PV-F4246-70	GRAPHIC 3	1			UR FOR SMX
25	5PV-F4247-60	GRAPHIC	1			UR FOR DRMK,BMC
	5PV-F4247-70	GRAPHIC	1			UR FOR SMX
26	5PV-F411B-00	EMBLEM	2			



5PV2440-D230

FIG. 23 SEAT

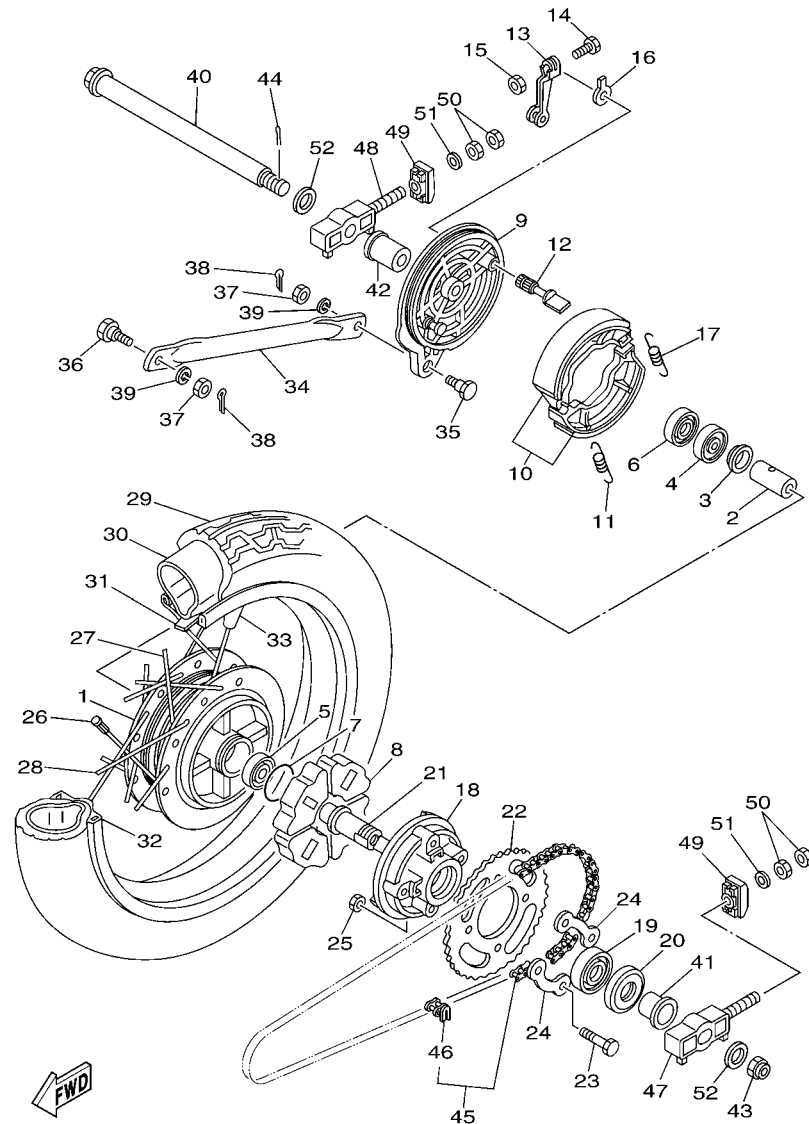
REF. NO.	PART NO.	DESCRIPTION	5PV3				REMARKS
1	5PV-F4730-00	DOUBLE SEAT ASSY	1				
2	5PV-F4731-00	.COVER, SEAT	1				
3	3XL-F4728-00	.BRACKET, SEAT	1				
4	3XL-F4738-00	.BRACKET, SEAT	1				
5	95707-06500	.NUT, FLANGE	4				
6	116-24741-00	.PAD, SEAT	2				
7	3XL-F4724-00	.DAMPER, SEAT	2				
8	55K-24705-00	SEAT LOCK ASSY	1				
9	55K-24760-00	SEAT LEVER ASSY	1				
10	98507-06016	SCREW, PAN HEAD	4				
11	92907-06600	WASHER, PLATE	4				
12	90480-12320	GROMMET	1				
13	5BU-F4773-00-P6	HANDLE, SEAT	1				S3
14	5BU-F4742-00	GROMMET	1				
15	91317-08030	BOLT	2				
16	341-23469-00	CAP, BOLT	2				
17	5PV-F473R-00	BOX 1	1				
18	5PV-F473T-00	LID 1	1				
19	1J7-21717-00	DAMPER	2				
20	55K-28100-00	TOOL KIT	1				
21	55F-F811G-00	BAND	1				
22	90119-06060	BOLT, WITH WASHER	1				
23	90119-06060	BOLT, WITH WASHER	1				



FWD
3XL1440-0241

FIG. 24 FRONT WHEEL

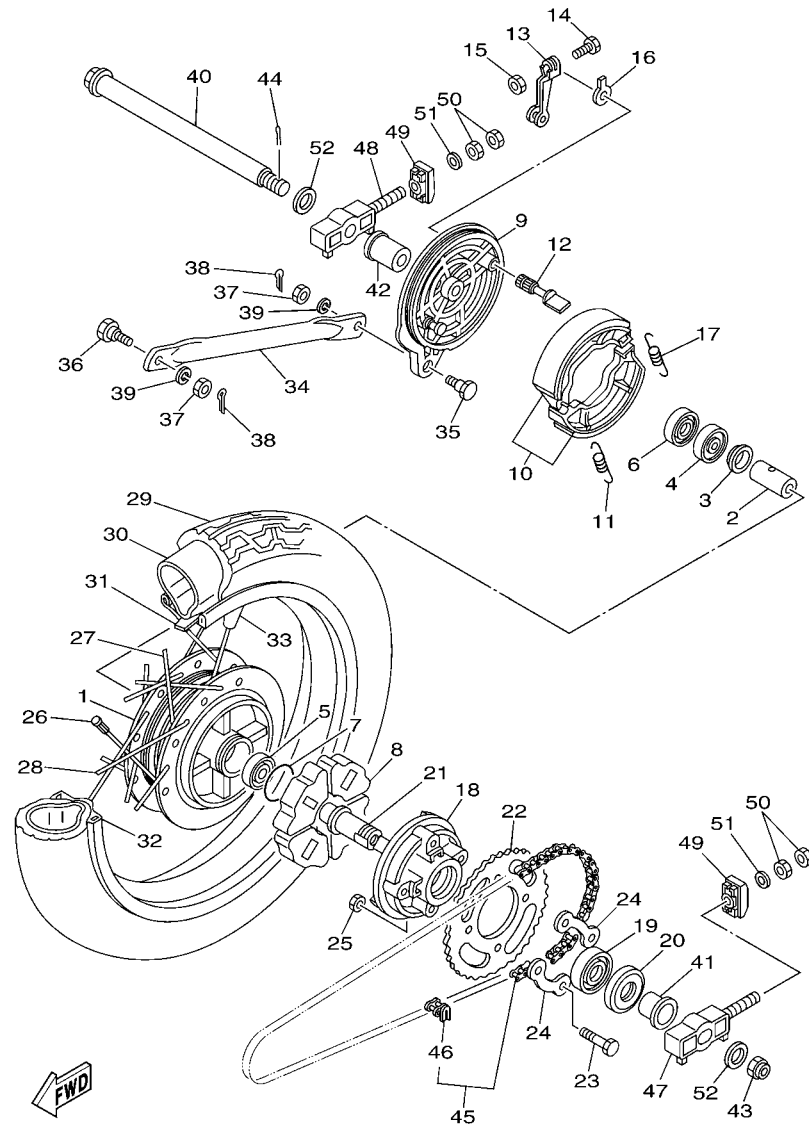
REF. NO.	PART NO.	DESCRIPTION	SPV3				REMARKS
1	37L-F5111-00-98	HUB, FRONT	1				LGB
2	90560-15293	SPACER	1				
3	5H3-F5115-00	FLANGE, SPACER 1	1				
4	93306-20205	BEARING	2				UR KOYO
	93306-202YL	BEARING	2				UR
5	93106-22016	OIL SEAL	1				
6	93105-45017	OIL SEAL	1				
7	5H3-F5149-00	CLUTCH, METER	1				
8	5H3-F5846-00	RETAINER, CLUTCH	1				
9	5H3-F5196-00	SPOKE, INNER 1	18				
10	5H3-F5197-00	SPOKE, OUTER 1	18				
11	5H3-F5195-00	NIPPLE, SPOKE	36				
12	94416-18810	RIM (1.60-18)	1				
13	94108-18801	TIRE (80/90-18 45H)	1				
14	94225-18876	TUBE (2.50-18 TR4)	1				INOUE
15	94327-18846	BAND, RIM (2.75-18)	1				INOUE
16	5BU-F5398-00	BALANCER, WHEEL	1				UN
17	3M5-25190-10	GEAR UNIT ASSY	1				
18	90387-151M3	COLLAR	1				
19	55K-25118-00	COVER, HUB DUST	1				
20	5PV-F5181-00	AXLE, WHEEL	1				
21	90171-14020	NUT, CASTLE	1				
22	91401-30030	PIN, COTTER	1				
23	92903-14200	WASHER	1				



5PV3440-F260

FIG. 26 REAR WHEEL

REF. NO.	PART NO.	DESCRIPTION	5PV3				REMARKS
1	55F-F5311-00-98	HUB, REAR	1				LGB
2	90560-15136	SPACER	1				
3	5H3-F5115-00	FLANGE, SPACER 1	1				
4	93306-20205	BEARING	1				UR KOYO
	93306-202YL	BEARING	1				UR
5	93306-20204	BEARING	1				UR KOYO
	93306-202YK	BEARING	1				UR
6	93104-22018	OIL SEAL	1				
7	93210-42101	O-RING	1				
8	5H3-F5364-00	DAMPER	4				
9	55F-F5321-00-98	PLATE, BRAKE SHOE	1				LGB
10	5BP-F530K-20	BRAKE SHOE SET	1				
11	90506-12001	SPRING, TENSION	1				
12	248-25351-10	CAMSHAFT	1				
13	3XL-F5355-00	LEVER, CAMSHAFT	1				
14	90101-06278	BOLT	1				
15	95307-06600	NUT	1				
16	3Y6-2533A-01	PLATE, INDICATOR	1				
17	90506-15001	SPRING, TENSION	1				
18	55F-F5366-00	CLUTCH, HUB	1				
19	93306-00406	BEARING	1				UR NTN
	93306-004YD	BEARING	1				UR
20	93106-26815	OIL SEAL	1				
21	90387-15877	COLLAR	1				
22	3XL-F5446-00	SPROCKET, DRIVEN (46T)	1				
23	90109-08361	BOLT	4				
24	3M5-25412-00	WASHER	2				



5PV3440-F260

FIG. 26 REAR WHEEL

REF. NO.	PART NO.	DESCRIPTION	5PV3				REMARKS
25	90179-08168	NUT	4				
26	5H3-F5395-00	NIPPLE, SPOKE	36				
27	55F-F5396-00	SPOKE, INNER 2	18				
28	55F-F5397-00	SPOKE, OUTER 2	18				
29	94109-18801	TIRE (90/90-18 51H)	1				
30	94230-18875	TUBE (3.00-18 TR4)	1				INOUE
31	94327-18846	BAND, RIM (2.75-18)	1				INOUE
32	94416-18808	RIM (1.60-18)	1				
33	5BU-F5398-00	BALANCER, WHEEL	1				UN
34	55F-F5371-00	BAR, TENSION	1				
35	90109-08063	BOLT	1				
36	90109-08368	BOLT	1				
37	95307-08600	NUT	2				
38	90468-12007	CLIP	2				
39	92907-08100	WASHER, SPRING	2				
40	5PV-F5381-00	AXLE, WHEEL	1				
41	90387-15878	COLLAR	1				
42	90387-150M4	COLLAR	1				
43	90171-14016	NUT, CASTLE	1				
44	91401-30030	PIN, COTTER	1				
45	94580-88120	CHAIN (DID 428HG-120L)	1				
46	94680-88001	.JOINT, CHAIN (DID 428HG)	1				
47	3BS-F5388-10	PULLER, CHAIN 1	1				
48	3BS-F5389-00	PULLER, CHAIN 2	1				
49	3BS-F539F-00	PLATE 1	2				
50	95304-08600	NUT	4				
51	92903-08600	WASHER, PLATE	2				

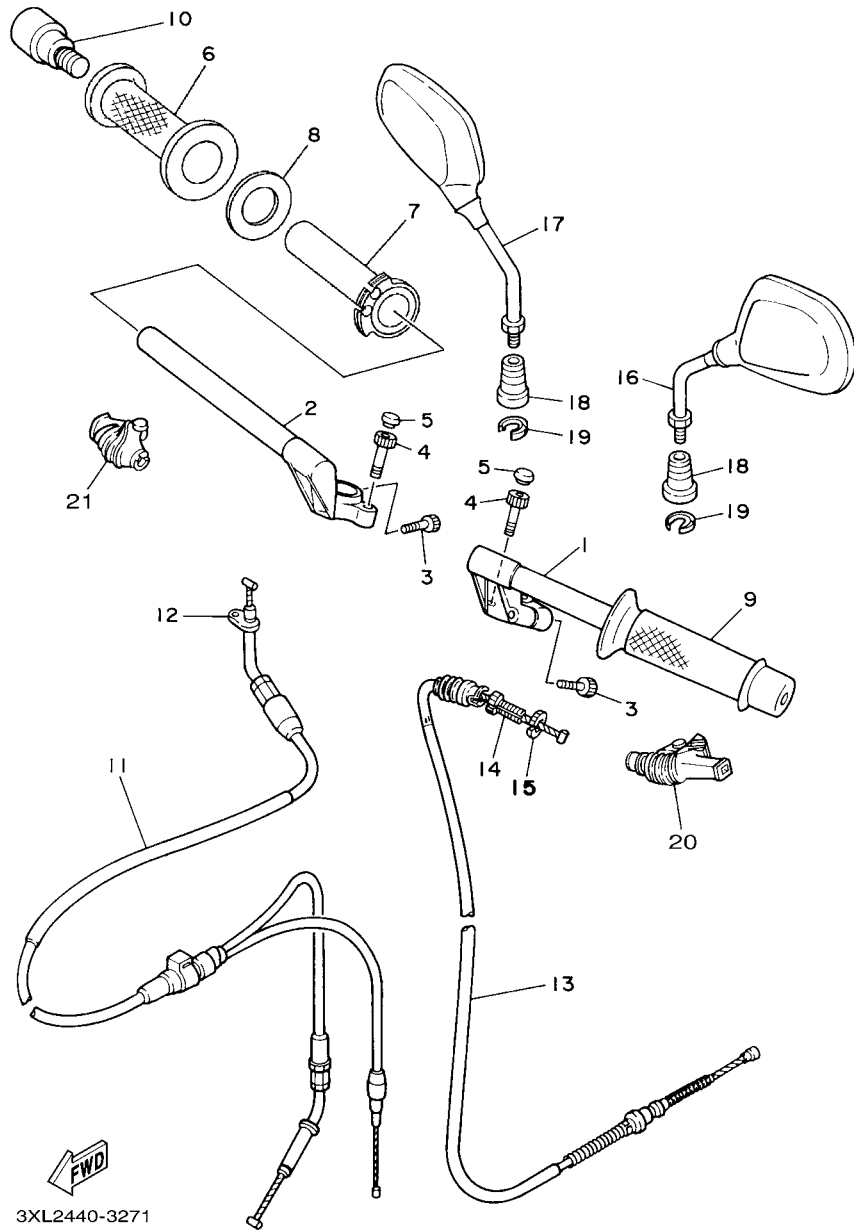
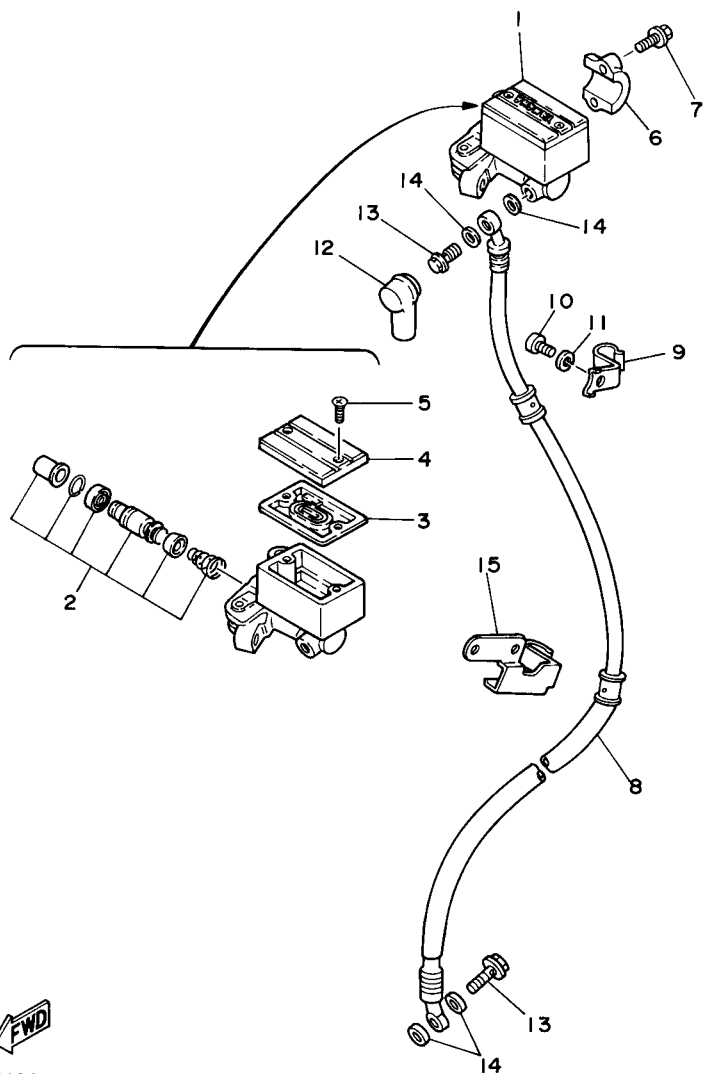


FIG. 27 STEERING HANDLE & CABLE

REF. NO.	PART NO.	DESCRIPTION	SPV3				REMARKS
1	3XX-26121-00	HANDLEBAR (LEFT)	1				
2	3XX-26122-00	HANDLEBAR (RIGHT)	1				
3	91314-08025	BOLT	2				
4	91317-06016	BOLT	2				
5	2H9-23469-00	CAP, BOLT	2				
6	4UL-F6242-00	GRIP (RIGHT)	1				
7	3XL-F6243-00	TUBE, THROTTLE GUIDE	1				
8	90201-261L1	WASHER, PLATE	1				
9	4UL-F6241-00	GRIP	1				
10	3XL-F6246-00	END, GRIP	2				
11	5PV-F6260-00	CABLE ASSY, THROTTLE & PUMP	1				
12	584-26393-02	HOLDER	1				
13	3XL-F6335-00	CABLE, CLUTCH	1				
14	90123-08046	BOLT	1				
15	90179-08148	NUT	1				
16	3YR-F6280-00	REAR VIEW MIRROR ASSY (LEFT)	1				
17	3YR-F6290-00	REAR VIEW MIRROR ASSY (RIGHT)	1				
18	5LW-F629T-00	BOOT 1	2				
19	3YR-F6129-00	WASHER	2				
20	1E6-26372-00	COVER, HANDLE LEVER 1	1				
21	3XL-F6372-00	COVER, HANDLE LEVER 1	1				

FIG. 28 FRONT MASTER CYLINDER



55K400-5280

REF. NO.	PART NO.	DESCRIPTION	SPV3				REMARKS
1	2RJ-25870-00	MASTER CYLINDER SUB ASSY	1				
2	4L0-W0041-00	.CYLINDER KIT, MASTER	1				
3	4L0-25854-00	.DIAPHRAGM, RESERVOIR	1				
4	4H7-25852-00	.CAP, RESERVOIR	1				
5	98706-04012	.SCREW, FLAT HEAD	2				
6	4L0-25867-00	BRACKET, MASTER CYLINDER	1				
7	95827-06025	BOLT, FLANGE	2				
8	3XL-F5872-01	HOSE, BRAKE 1	1				
9	55K-25875-00	HOLDER, BRAKE HOSE 1	1				
10	98507-06012	SCREW, PAN HEAD	1				
11	92907-06600	WASHER, PLATE	1				
12	4L0-25862-01	BOOT, MASTER CYLINDER	1				
13	90401-10159	BOLT, UNION	2				
14	90201-10118	WASHER, PLATE	4				
15	4X8-25876-00	HOLDER, BRAKE HOSE 2	1				

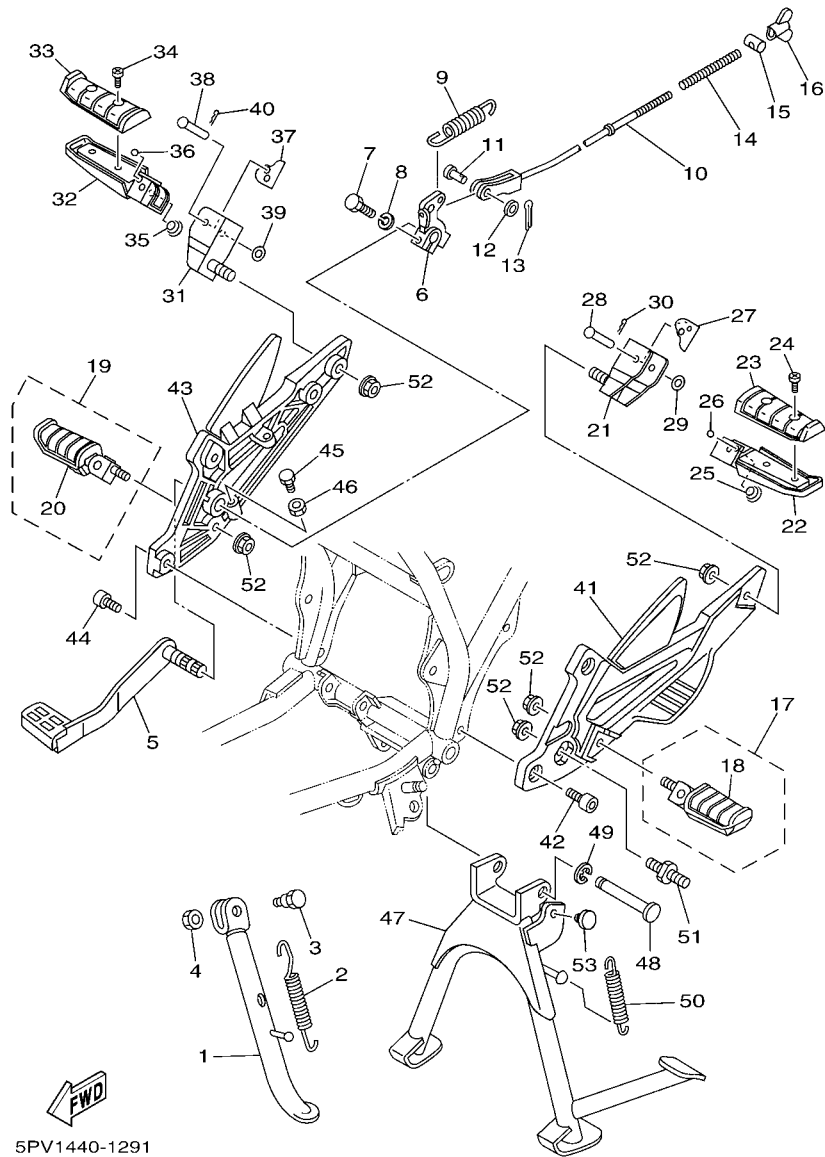
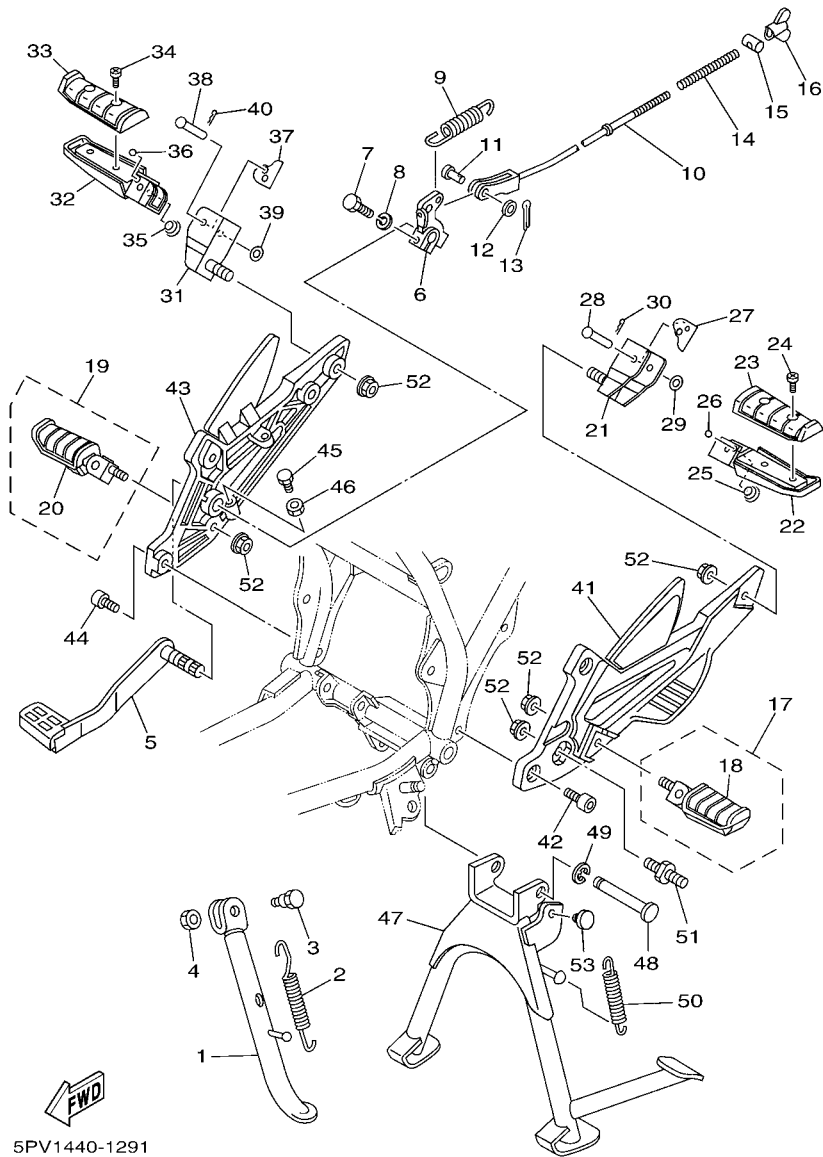


FIG. 29 STAND & FOOTREST

REF. NO.	PART NO.	DESCRIPTION	SPV3				REMARKS
1	55F-F7311-01	STAND, SIDE	1				
2	90507-29033	SPRING, TENSION	1				
3	90109-10473	BOLT	1				
4	90185-10037	NUT, SELF-LOCKING	1				
5	5PV-F7211-00	PEDAL, BRAKE	1				
6	55K-27252-00	LEVER, BRAKE PEDAL	1				
7	90109-06470	BOLT	1				
8	92907-06100	WASHER, SPRING	1				
9	90506-20221	SPRING, TENSION	1				
10	55K-27231-02	ROD, BRAKE	1				
11	90240-06076	PIN, CLEVIS	1				
12	92907-06600	WASHER, PLATE	1				
13	91401-20012	PIN, COTTER	1				
14	90501-10245	SPRING, COMPRESSION	1				
15	90249-12008	PIN	1				
16	90175-06013	NUT, WING	1				
17	3XL-F7410-00	FRONT FOOTREST ASSY (LEFT)	1				
18	3XL-F7413-00	.COVER, FOOTREST	1				
19	3XL-F7420-00	FRONT FOOTREST ASSY (RIGHT)	1				
20	3XL-F7413-00	.COVER, FOOTREST	1				
21	3XL-F7432-00	BRACKET 1	1				
22	3XL-F7431-00	FOOTREST, REAR 1	1				
23	3XL-F7433-00	COVER, REAR FOOTREST	1				
24	98507-05010	SCREW, PAN HEAD	2				
25	90501-16761	SPRING, COMPRESSION	1				
26	93501-04011	BALL	1				
27	33M-27437-00	WASHER, SPECIAL	1				



5PV1440-1291

FIG. 29 STAND & FOOTREST

REF. NO.	PART NO.	DESCRIPTION	5PV3				REMARKS
28	91701-06040	PIN, CLEVIS	1				
29	92907-06200	WASHER	1				
30	91401-20012	PIN, COTTER	1				
31	3XL-F7432-00	BRACKET 1	1				
32	3XL-F7441-00	FOOTREST, REAR 2	1				
33	3XL-F7433-00	COVER, REAR FOOTREST	1				
34	98507-05010	SCREW, PAN HEAD	2				
35	90501-16761	SPRING, COMPRESSION	1				
36	93501-04011	BALL	1				
37	33M-27437-00	WASHER, SPECIAL	1				
38	91701-06040	PIN, CLEVIS	1				
39	92907-06200	WASHER	1				
40	91401-20012	PIN, COTTER	1				
41	5PV-F7452-10	BRACKET, FOOTREST 1	1				
42	91314-10020	BOLT	2				
43	5PV-F7462-10	BRACKET, FOOTREST 2	1				
44	91314-10020	BOLT	2				
45	97007-06016	BOLT	1				
46	95307-06600	NUT	1				
47	5PV-F7111-00-33	STAND, MAIN	1				YB
48	55K-27112-00	SHAFT, MAIN STAND	1				
49	93430-10015	CIRCLIP	1				
50	90506-35297	SPRING, TENSION	1				
51	90109-105A5	BOLT	1				
52	95707-10500	NUT, FLANGE	5				
53	5BU-F7214-00	STOPPER	1				

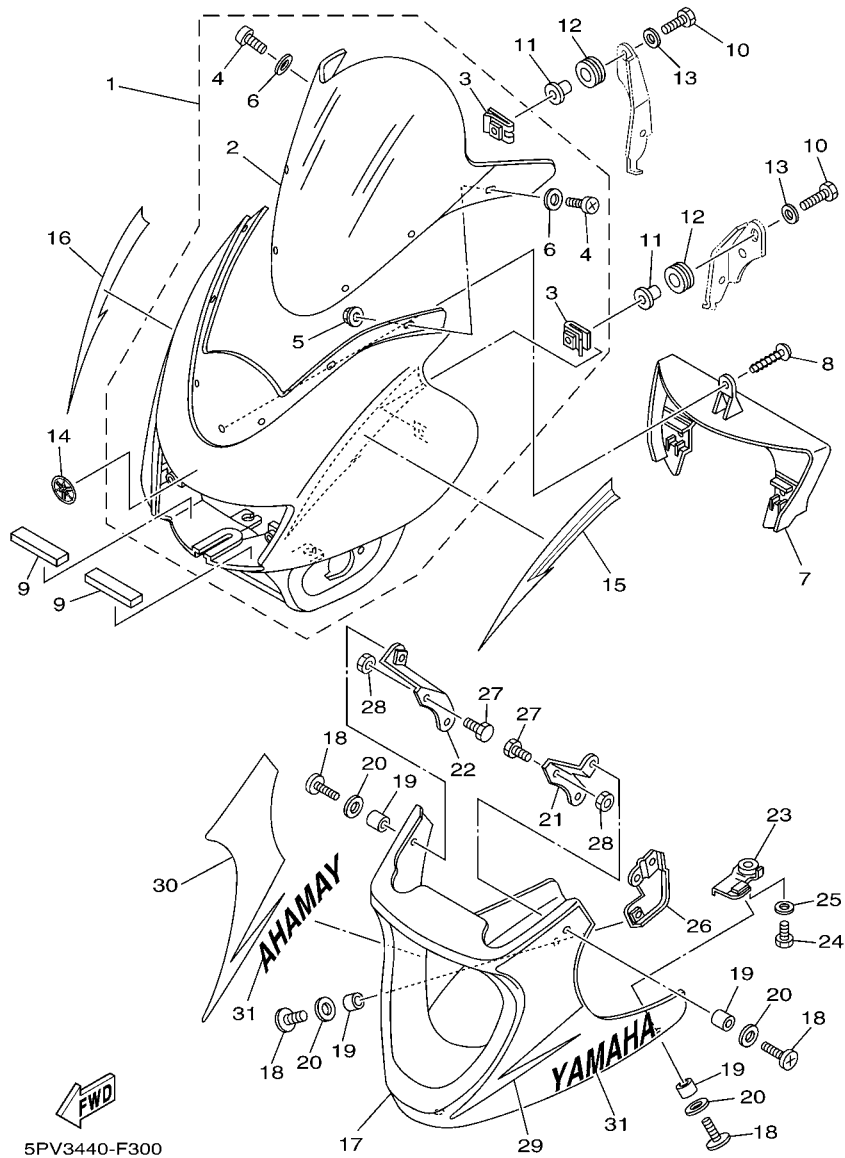


FIG. 30 COWLING 1

REF. NO.	PART NO.	DESCRIPTION	SPV3			REMARKS
1	5PV-F8350-00-P3	COWLING ASSY	1			UR FOR DRMK
	5PV-F8350-00-P4	COWLING ASSY	1			UR FOR BMC
	5PV-F8350-00-P5	COWLING ASSY	1			UR FOR SMX
2	5PV-F8381-00	.WINDSHIELD	1			
3	25G-21535-00	.NUT 1	2			
4	90150-05023	.SCREW, ROUND HEAD	6			
5	95707-05500	.NUT, FLANGE	6			
6	90201-05725	.WASHER, PLATE	6			
7	5PV-F8365-00	COVER	1			
8	97707-50012	SCREW, TRUSS HEAD TAPPING	3			
9	5PV-F8371-00	DAMPER	2			
10	97007-06025	BOLT	2			
11	90387-068J7	COLLAR	2			
12	90480-13813	GROMMET	2			
13	90201-06557	WASHER, PLATE	2			
14	5PV-F836D-00	TUNING FORK MARK	1			
15	5PV-F8391-60	GRAPHIC 1	1			UR FOR DRMK
	5PV-F8391-70	GRAPHIC 1	1			UR FOR BMC
	5PV-F8391-80	GRAPHIC 1	1			UR FOR SMX
16	5PV-F8392-60	GRAPHIC 2	1			UR FOR DRMK
	5PV-F8392-70	GRAPHIC 2	1			UR FOR BMC
	5PV-F8392-80	GRAPHIC 2	1			UR FOR SMX
17	5PV-F8385-00-P1	COVER, LOWER	1			SMX
18	90150-06021	SCREW, ROUND HEAD	4			
19	90387-06043	COLLAR	4			
20	90202-10165	WASHER, PLATE	4			
21	3XL-F836A-00	BRACKET 1	1			

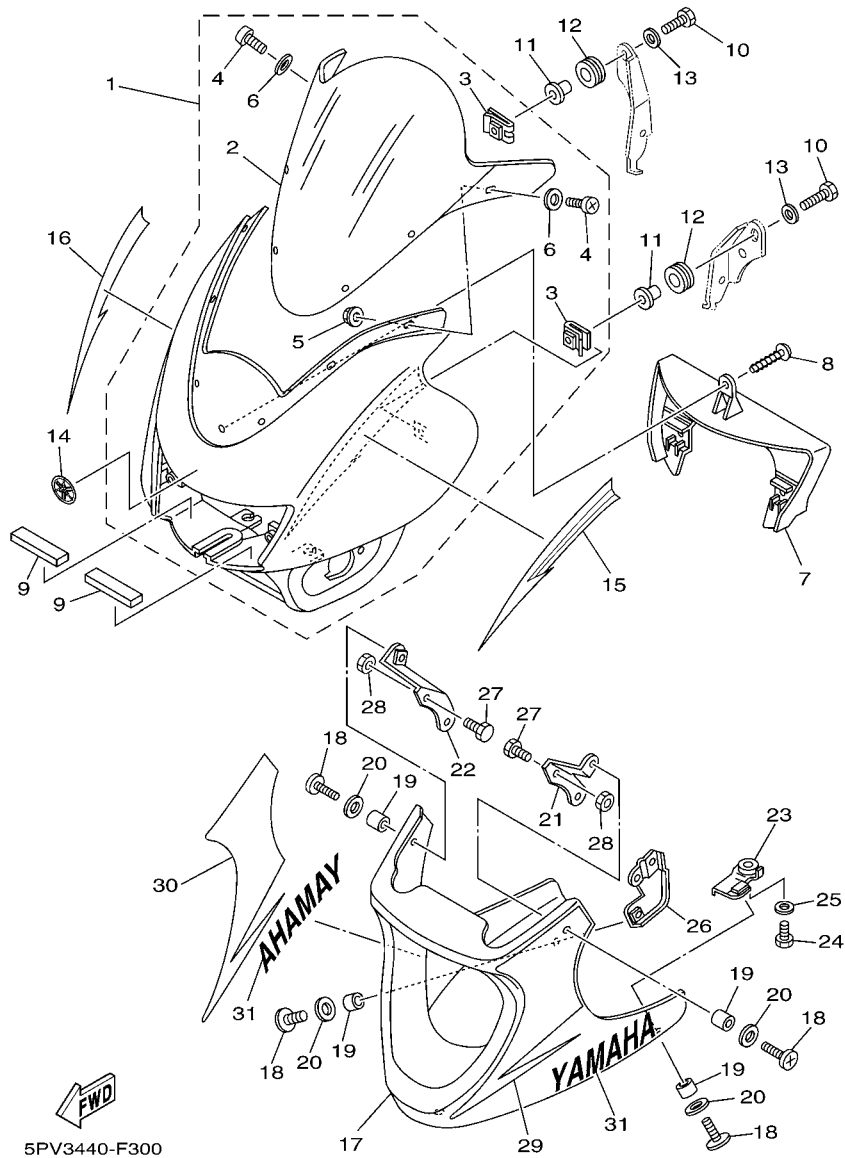


FIG. 30 COWLING 1

REF. NO.	PART NO.	DESCRIPTION	5PV3				REMARKS
22	3XL-F836E-00	BRACKET 2	1				
23	5PV-F836F-00	BRACKET 3	1				
24	97007-08016	BOLT	1				
25	92907-08600	WASHER, PLATE	1				
26	3XL-F836G-00	BRACKET 4	1				
27	97007-06012	BOLT	2				
28	95307-06600	NUT	2				
29	5PV-F8393-60	GRAPHIC 3	1				UR FOR DRMK
	5PV-F8393-70	GRAPHIC 3	1				UR FOR BMC
	5PV-F8393-80	GRAPHIC 3	1				UR FOR SMX
30	5PV-F8394-60	GRAPHIC 4	1				UR FOR DRMK
	5PV-F8394-70	GRAPHIC 4	1				UR FOR BMC
	5PV-F8394-80	GRAPHIC 4	1				UR FOR SMX
31	99231-00140	EMBLEM, YAMAHA	2				

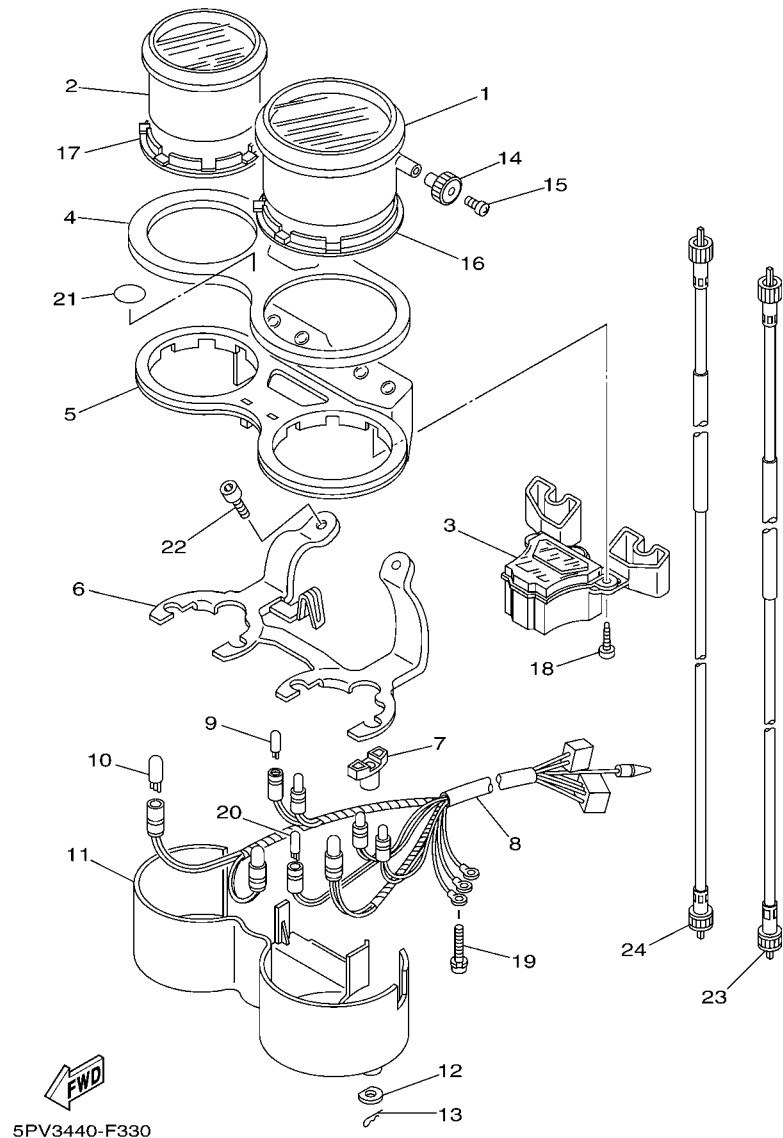
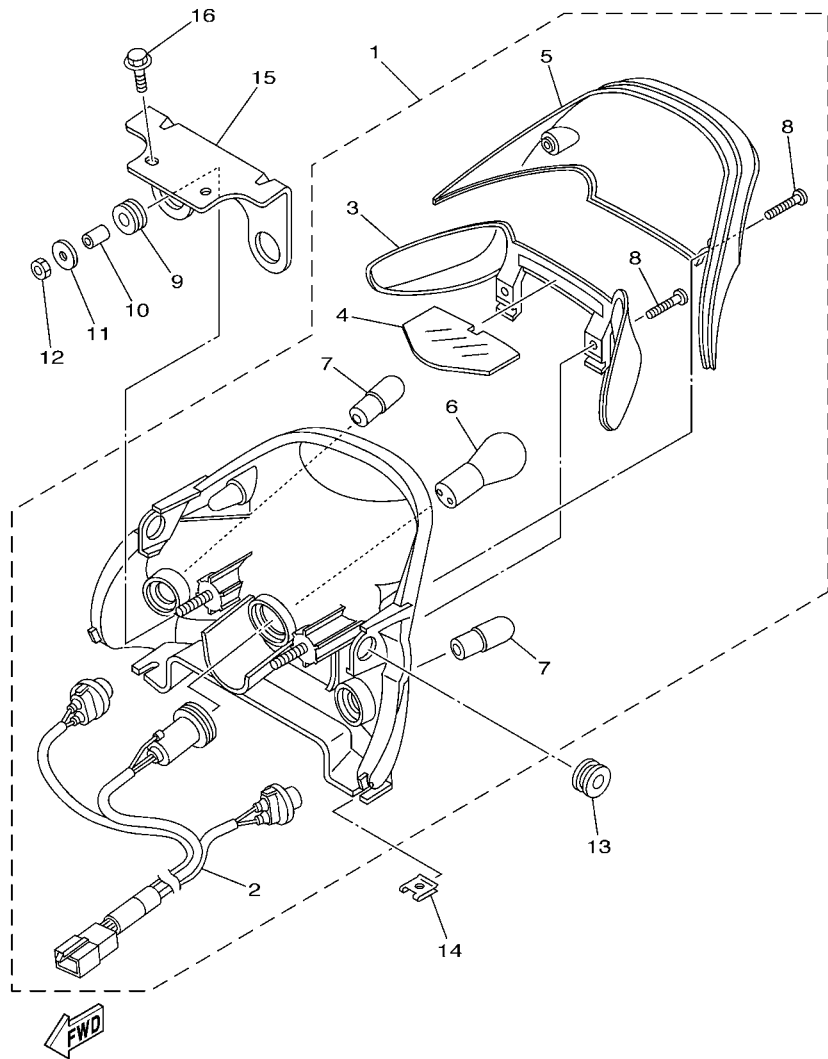


FIG. 33 METER

REF. NO.	PART NO.	DESCRIPTION	SPV3				REMARKS
1	5PV-83570-00	SPEEDOMETER ASSY	1				
2	5PV-83540-00	TACHOMETER ASSY	1				
3	5PV-85750-00	FUEL METER ASSY	1				
4	5PV-83611-00	PANEL, METER	1				
5	3XL-83568-00	PILOT BOX, UPPER	1				
6	3XL-83519-00	BRACKET, METER	1				
7	51Y-83523-00	DAMPER	4				
8	3XL-83509-00	SOCKET CORD ASSY	1				
9	42X-83517-00	BULB (12V-3W)	4				
10	1YT-83517-00	BULB (12V-1.7W T10)	3				
11	51Y-83579-00	COVER, METER 2	1				
12	51Y-83524-00	WASHER, SPECIAL	4				
13	437-83525-00	CLIP	4				
14	12R-83578-00	KNOB, TRIP METER	1				
15	90157-02031	SCREW, PAN HEAD	1				
16	51Y-83513-00	DAMPER	1				
17	51Y-83541-00	DAMPER	1				
18	90164-04023	SCREW, TAPPING	2				
19	90159-03102	SCREW, WITH WASHER	3				
20	2GV-83517-00	BULB (12V-1.7W T6.5)	1				
21	5PV-F836B-00	TUNING FORK MARK	1				
22	95027-06025	BOLT, FLANGE	2				
23	5PV-H3550-00	SPEEDOMETER CABLE ASSY	1				
24	3XL-H3560-00	TACHOMETER CABLE ASSY	1				

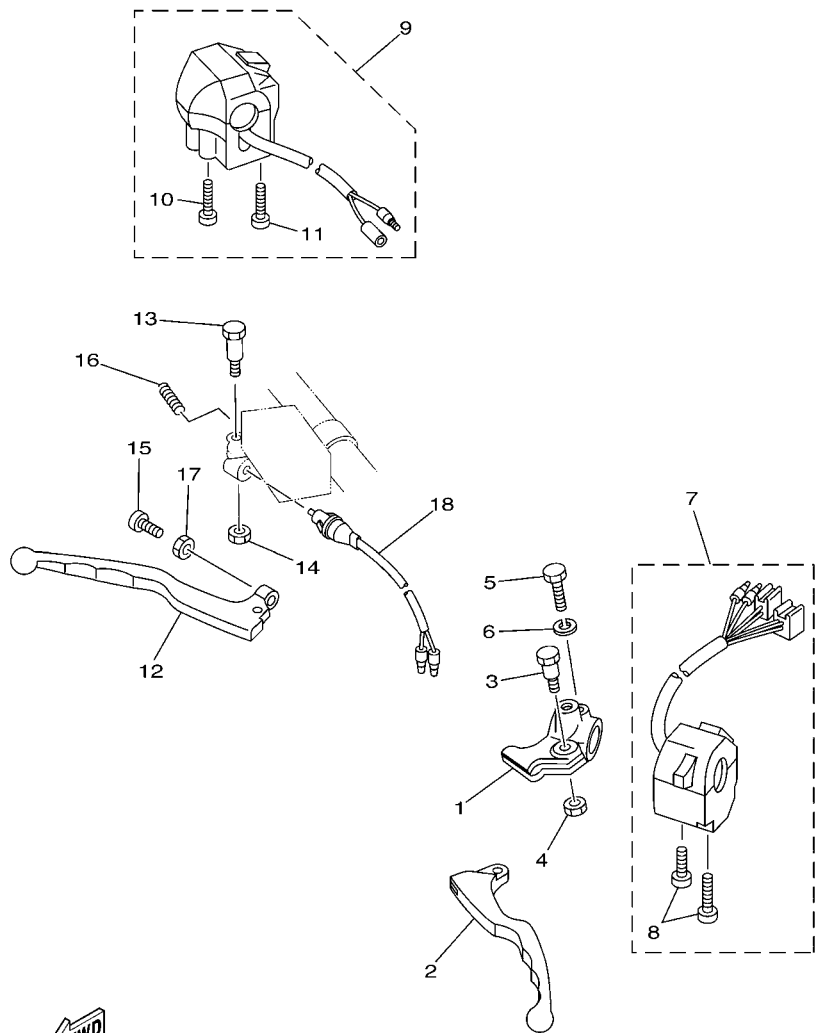


5PV1440-1350

FIG. 35 TAILLIGHT

REF. NO.	PART NO.	DESCRIPTION	5PV3				REMARKS
1	5PV-H4710-00	TAILLIGHT UNIT ASSY	1				
2	5PV-H451E-00	.CORD ASSY	1				
3	5PV-H3332-00	.LENS, FLASHER	1				
4	5CT-8472F-00	.LENS, LICENCE LIGHT	1				
5	5CT-H4721-00	.LENS, TAILLIGHT	1				
6	4US-H4714-00	.BULB (12V-21/5W)	1				
7	5LM-H3311-00	.BULB, FLASHER (12V-10W)	2				
8	97706-40620	.SCREW, TAPPING	4				
9	90480-18880	GROMMET	2				
10	90387-066M1	COLLAR	2				
11	90201-06071	WASHER, PLATE	2				
12	95307-06600	NUT	2				
13	90480-13813	GROMMET	2				
14	90183-05042	NUT, SPRING	3				
15	5PV-H4702-00	BRACKET, TAILLIGHT	1				
16	95807-06012	BOLT, FLANGE	2				

FIG. 36 HANDLE SWITCH & LEVER



3XL3440-0360

REF. NO.	PART NO.	DESCRIPTION	SPV3				REMARKS
1	55K-82911-00	HOLDER, LEVER 1	1				
2	2H0-83912-30	LEVER 1	1				
3	90109-06797	BOLT	1				
4	95607-06100	NUT, U	1				
5	97007-06022	BOLT	1				
6	92907-06100	WASHER, SPRING	1				
7	3XL-H3972-00	SWITCH, HANDLE 4	1				
8	98506-05035	.SCREW, PAN HEAD	2				
9	3XL-H3976-00	SWITCH, HANDLE 1	1				
10	98506-05040	.SCREW, PAN HEAD	1				
11	98506-05045	.SCREW, PAN HEAD	1				
12	4L0-83922-00	LEVER 2	1				
13	90109-06577	BOLT	1				
14	95607-06100	NUT, U	1				
15	90149-06131	SCREW	1				
16	90501-10312	SPRING, COMPRESSION	1				
17	90170-06010	NUT	1				
18	1A0-83980-30	FRONT STOP SWITCH ASSY	1				

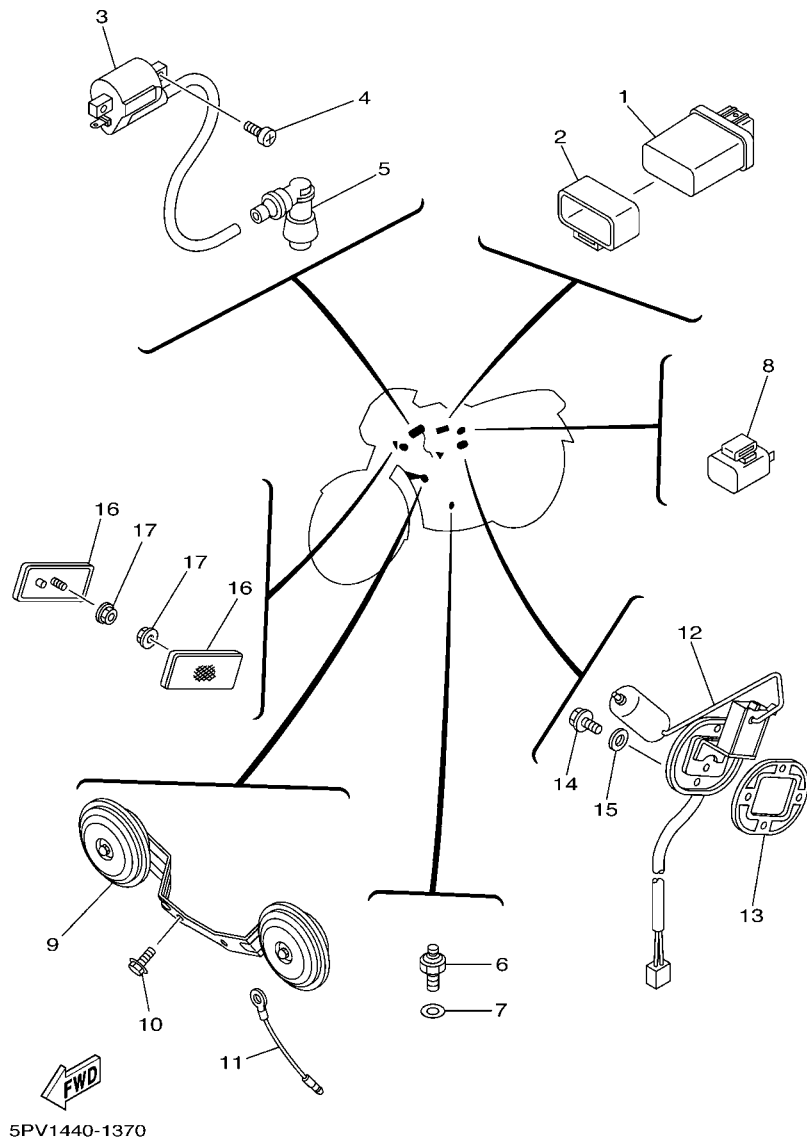
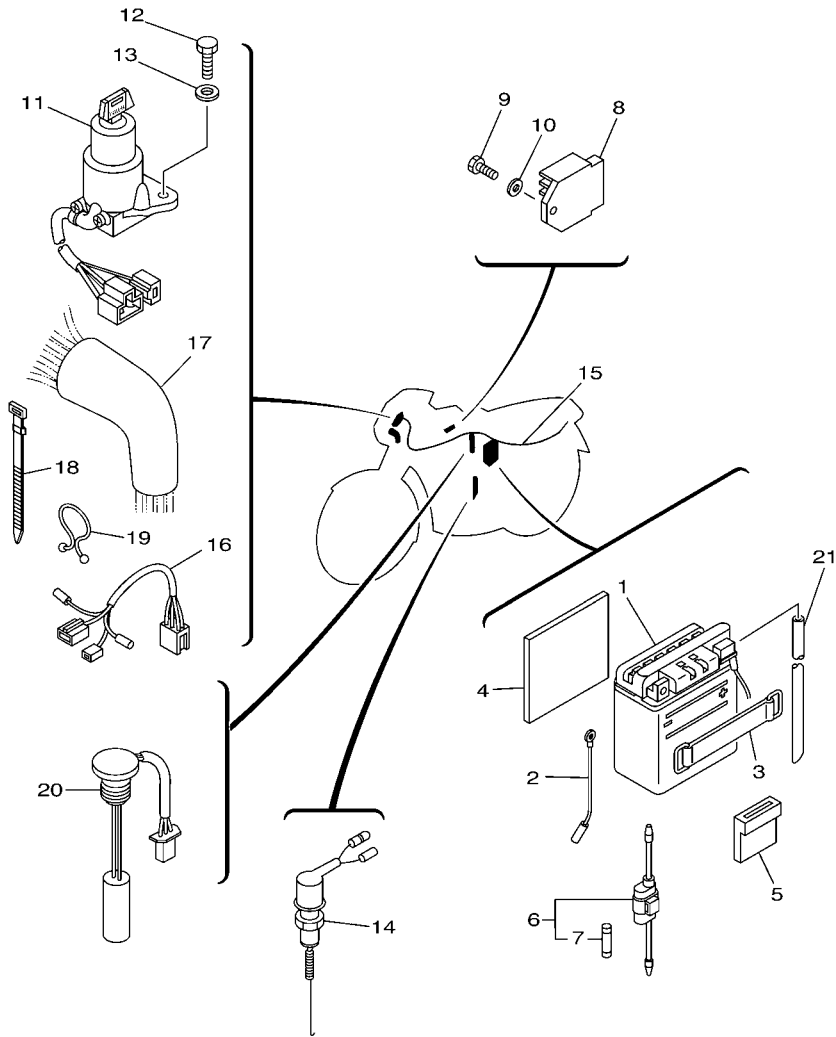


FIG. 37 ELECTRICAL 1

REF. NO.	PART NO.	DESCRIPTION	5PV3				REMARKS
1	5PV-85540-00	C.D.I. UNIT ASSY	1				
2	5PV-H5546-00	BAND	1				
3	4BE-82310-10	IGNITION COIL ASSY	1				
4	98507-06020	SCREW, PAN HEAD	2				
5	56J-82370-00	PLUG CAP ASSY	1				
6	4KM-82540-00	NEUTRAL SWITCH ASSY	1				
7	90430-10148	GASKET	1				
8	29G-83350-20	FLASHER RELAY ASSY	1				
9	5PV-H3370-00	HORN ASSY	1				
10	95807-08012	BOLT, FLANGE	2				
11	55F-H3373-00	LEAD, HORN	1				
12	55K-85752-00	SENDER UNIT ASSY, FUEL METER	1				
13	2H7-85753-00	GASKET, SENDER UNIT	1				
14	95807-06014	BOLT, FLANGE	4				
15	90202-05193	WASHER, PLATE	4				
16	20G-85110-00	REFLECTOR ASSY	2				
17	95707-05500	NUT, FLANGE	2				



5PV2440-D380

FIG. 38 ELECTRICAL 2

REF. NO.	PART NO.	DESCRIPTION	5PV3				REMARKS
1	3XL-H2100-00	BATTERY ASSY (YB3L-B)	1				
2	5PV-H2116-00	WIRE, MINUS LEAD	1				
3	4J7-H2131-00	BAND, BATTERY	1				
4	5PV-F1638-00	DAMPER 1	1				
5	2N9-H2121-00	PAD, BATTERY	1				
6	2JG-82150-01	FUSE HOLDER ASSY	1				
7	27V-82151-00	.FUSE (7A)	2				
8	3LA-81960-01	RECTIFIER & REGULATOR ASSY	1				
9	98507-06016	SCREW, PAN HEAD	1				
10	92907-06600	WASHER, PLATE	1				
11	55K-82501-30	MAIN SWITCH STEERING LOCK	1				
12	97017-06016	BOLT	2				
13	92907-06600	WASHER, PLATE	2				
14	5R2-82530-02	STOP SWITCH ASSY	1				
15	5PV-H2590-00	WIRE HARNESS ASSY	1				
16	5PV-H2583-00	WIRE, SUB LEAD	1				
17	5PV-H2599-00	COVER, CONNECTER	1				
18	437-83936-11	BAND, SWITCH CORD	1				
19	90464-15800	CLAMP	1				
20	5PV-85720-00	OIL LEVEL GAUGE ASSY	1				
21	90445-084A7	HOSE (L540)	1				

NUMERICAL INDEX

PART NO.	REF. NO.	PART NO.	REF. NO.	PART NO.	REF. NO.	PART NO.	REF. NO.	PART NO.	REF. NO.	PART NO.	REF. NO.
55K-11111-10	1 - 1	3BS-13610-00	4 - 1	4V0-16154-00	10 - 4	156-23411-00	21 - 34	4BE-82310-10	37 - 3	3XL-E5411-00	8 - 1
30X-11127-00	1 - 16	3BS-13613-00	4 - 2	4V0-16321-00	10 - 8	183-23411-00	20 - 2	56J-82370-00	37 - 5	2N9-E5618-00	9 - 17
55K-11127-00	1 - 4	3BS-13613-10	4 - 6	1V1-16324-00	10 - 3	156-23412-00	20 - 1	55K-82501-30	38 - 11	3XL-E5620-00	9 - 10
463-11127-02	1 - 2	10V-13616-01	4 - 3	10V-16351-00	10 - 5	183-23412-00	20 - 3	5R2-82530-02	38 - 14	3XL-E5621-00	9 - 11
4Y2-11129-00	1 - 5	3GG-13621-00	4 - 7	1W1-16356-02	10 - 17	136-23415-00	20 - 5	4KM-82540-00	37 - 6	3XL-E8111-00	14 - 7
55K-11161-00	1 - 3	31J-14103-00	5 - 11	2X3-16357-00	10 - 21	2H9-23469-00	27 - 5	55K-82911-00	36 - 1	3XL-E8112-00	14 - 8
4X8-11162-00	1 - 15	10W-14104-00	5 - 23	1W1-16358-01	10 - 16	341-23469-00	23 - 16	29G-83350-20	37 - 8	5H3-E8113-00	14 - 13
55G-11181-00	1 - 9	1TT-14107-25	5 - 4	4Y2-16371-01	10 - 2	3Y6-24183-00	22 - 4	3XL-83509-00	33 - 8	3XL-E8115-00	14 - 9
5PV-11311-00	1 - 10	3RR-1411F-20	5 - 26	55K-16380-01	10 - 22	55F-24500-11	22 - 7	51Y-83513-00	33 - 16	5PV-F1110-00-33	15 - 1
55K-1131E-00	1 - 11	248-14131-00	5 - 25	55K-17121-00	11 - 2	4X8-24512-00	22 - 8	1YT-83517-00	33 - 10	55F-F113J-00	15 - 9
55K-1131M-10	1 - 12	156-14135-00	5 - 21	10W-17131-01	11 - 3	55K-24515-01	22 - 9	2GV-83517-00	33 - 20	55F-F113K-00	15 - 10
55K-11326-00	1 - 13	353-14138-00	5 - 13	10W-17151-02	11 - 4	3AJ-24534-01	22 - 11	42X-83517-00	33 - 9	55F-F1165-00	15 - 7
55K-11351-01	1 - 17	5PV-14141-38	5 - 8	55G-17161-00	11 - 5	55K-24565-00	22 - 10	3XL-83519-00	33 - 6		20 - 12
55K-11400-01	2 - 1	1NT-14142-22	5 - 2	10W-17211-00	11 - 11	4X8-24650-05	22 - 16	51Y-83523-00	33 - 7	5PV-F1315-00	15 - 17
55K-11412-01	2 - 2	137-14143-39	5 - 3	10W-17221-00	11 - 12	55K-24705-00	23 - 8	51Y-83524-00	33 - 12	55F-F1359-00	15 - 13
55K-11422-00	2 - 3	132-14146-00	5 - 14	10W-17231-00	11 - 13	116-24741-00	23 - 6	437-83525-00	33 - 13	55F-F1510-10-P9	16 - 1
55K-11454-00	2 - 21	137-14153-00	5 - 9	10W-17241-01	11 - 14	55K-24760-00	23 - 9	5PV-83540-00	33 - 2	55F-F1510-10-PA	16 - 1
55K-11530-00	2 - 25	802-14161-00	5 - 12	10W-17251-01	11 - 15	55K-25118-00	24 - 19	51Y-83541-00	33 - 17	55F-F1510-10-PB	16 - 1
10V-11536-01	2 - 20	3X3-14169-00	5 - 24	10W-17261-00	11 - 16	3M5-25190-10	24 - 17	3XL-83568-00	33 - 5	15K-F1518-00	16 - 3
5PV-11603-00	2 - 9	5PV-14171-00	5 - 22	55K-17411-01	11 - 1	3Y6-2533A-01	26 - 16	5PV-83570-00	33 - 1	55F-F1611-01	16 - 4
5PV-11604-00	2 - 9	132-14173-00	5 - 19	55K-17421-00	11 - 10	248-25351-10	26 - 12	12R-83578-00	33 - 14	55F-F1629-00	16 - 12
5PV-11605-00	2 - 9	152-14174-00	5 - 20	5H0-17456-00	11 - 26	3M5-25412-00	26 - 24	51Y-83579-00	33 - 11	5PV-F1638-00	38 - 4
5PV-11606-00	2 - 9	304-14184-00	5 - 10	55K-17471-00	11 - 28	3XL-2580U-00	25 - 4	5PV-83611-00	33 - 4	55F-F1668-00	19 - 16
5PV-11607-00	2 - 9	314-14185-00	5 - 7	4L0-17811-00	12 - 5	4X8-25827-00	25 - 6	2H0-83912-30	36 - 2	4HF-F1685-00	16 - 7
5PV-11631-00-A0	2 - 8	127-14186-00	5 - 5	4L0-17818-00	12 - 7	4H7-25852-00	28 - 4	4L0-83922-00	36 - 12	5PV-F1711-00	17 - 1
4Y2-11633-00	2 - 11	12R-14191-00	5 - 18	55K-17831-01	12 - 2	4L0-25854-00	28 - 3	437-83936-01	15 - 16	5PV-F171E-00-P2	17 - 13
5PV-11635-00	2 - 8	3RR-14193-10	5 - 17	17F-17841-00	12 - 3	4L0-25862-01	28 - 12	437-83936-11	38 - 18	5PV-F1731-00-P2	17 - 5
5PV-11636-00	2 - 8	183-14197-00	5 - 16	17F-17861-00	12 - 1	4L0-25867-00	28 - 6	1A0-83980-30	36 - 18	5PV-F173E-60	17 - 19
5PV-11637-00	2 - 8	29N-14437-00	4 - 24	55K-18101-05	14 - 4	2RJ-25870-00	28 - 1	5CT-8472F-00	35 - 4	5PV-F173E-70	17 - 19
5PV-11638-00	2 - 8	3PA-14613-10	6 - 1	10V-18140-00	13 - 9	55K-25875-00	28 - 9	20G-85110-00	37 - 16	5PV-F173E-80	17 - 19
55K-11651-00	2 - 4	5PV-1490J-00	5 - 6	5R2-18154-00	14 - 12	4X8-25876-00	28 - 15	5PV-85540-00	37 - 1	5PV-F173F-60	17 - 20
55K-11681-00	2 - 5	55K-15111-00	7 - 1	5R2-18185-00	13 - 2	4X8-25917-00	25 - 11	5PV-85550-01	31 - 1	5PV-F173F-70	17 - 20
55K-13101-02	3 - 1	55K-15121-00	7 - 2	55K-18511-01	13 - 12	11H-25919-00	25 - 9	5PV-85560-00	31 - 2	5PV-F173F-80	17 - 20
126-13116-01	3 - 13	55K-15128-00	7 - 7	55K-18512-00	13 - 13	34L-25924-00	25 - 8	5PV-85720-00	38 - 20	5PV-F173X-30	17 - 26
363-13133-01	3 - 20	3Y1-15361-00	8 - 4	55K-18513-00	13 - 14	5R2-25937-00	25 - 12	5PV-85750-00	33 - 3	5PV-F173X-40	17 - 26
137-13137-00-03	3 - 5	3Y1-15363-00	8 - 11	55K-18531-00	13 - 15	3XX-26121-00	27 - 1	55K-85752-00	37 - 12	5PV-F173X-50	17 - 26
137-13137-00-05	3 - 5	120-15371-00	7 - 11	55K-18535-00	13 - 16	3XX-26122-00	27 - 2	2H7-85753-00	37 - 13	5PV-F173Y-00	17 - 27
137-13137-00-10	3 - 5	55K-15416-10	8 - 9	55G-18540-00	13 - 1	1E6-26372-00	27 - 20	5PV-E4101-00	5 - 1	5PV-F173Y-10	17 - 27
137-13138-01	3 - 4	55K-15421-10	8 - 3	136-18542-00	13 - 7	584-26393-02	27 - 12	55F-E4411-00	4 - 16	5PV-F173Y-20	17 - 27
18G-13174-00	3 - 10	55K-15451-01	8 - 6	3R4-18561-00	13 - 5	55K-27112-00	29 - 48	55F-E4412-00	4 - 17	5PV-F1741-00-P2	17 - 9
367-13174-00	3 - 24	2RH-15492-00	8 - 13	25G-21535-00	30 - 3	55K-27231-02	29 - 10	3BS-E4451-00	4 - 19	3XL-F1745-00	18 - 4
55K-13175-01	3 - 11	10V-15641-00	9 - 2	1J7-21717-00	23 - 19	55K-27252-00	29 - 6	3XL-E4453-00	4 - 23	3BS-F1747-00	4 - 25
137-13176-00	3 - 16	10V-15651-00	9 - 7	10V-21771-00	18 - 2	33M-27437-00	29 - 27	55F-E4468-00	4 - 18	5PV-F174G-30	17 - 22
10V-13178-01	3 - 17	55K-15660-00	9 - 1	55K-22129-00	19 - 5		29 - 37	3XL-E4476-00	4 - 20	5PV-F174G-40	17 - 22
31K-13565-01	4 - 8	10V-15666-00	9 - 6	55K-22141-00	19 - 8	55K-28100-00	23 - 20	5PV-E4711-01	6 - 4	5PV-F174G-50	17 - 22
3XL-13575-00	4 - 9	2A6-16111-00	10 - 9	3V3-23122-00	21 - 15	3LA-81960-01	38 - 8	5PV-E4718-00	6 - 5	5PV-F174H-30	17 - 23
55K-13581-01	4 - 11	55K-16150-00	10 - 1		21 - 31	2JG-82150-01	38 - 6	5PV-E4728-00	6 - 6	5PV-F174H-40	17 - 23
55K-13584-00	4 - 13	10V-16154-00	10 - 13	3Y6-2317J-00	20 - 16	27V-82151-00	38 - 7	5PV-E4758-00	6 - 7	5PV-F174H-50	17 - 23

NUMERICAL INDEX

PART NO.	REF. NO.	PART NO.	REF. NO.	PART NO.	REF. NO.	PART NO.	REF. NO.	PART NO.	REF. NO.	PART NO.	REF. NO.
5PV-F174J-30	17 - 24	1M3-F3346-01	21 - 35	5H3-F5395-00	26 - 26	5PV-F836F-00	30 - 23	4US-H4714-00	35 - 6	90157-02031	33 - 15
5PV-F174J-40	17 - 24	3XL-F3435-00	20 - 7	55F-F5396-00	26 - 27	3XL-F836G-00	30 - 26	5CT-H4721-00	35 - 5	90157-06071	8 - 14
5PV-F174J-50	17 - 24	3XL-F4110-00-PB	22 - 1	55F-F5397-00	26 - 28	5PV-F8371-00	30 - 9	4VH-H5130-00	16 - 10		11 - 29
5PV-F174K-30	17 - 25	3XL-F4110-00-PC	22 - 1	5BU-F5398-00	24 - 16	5PV-F8381-00	30 - 2	5PV-H5546-00	37 - 2	90159-03102	33 - 19
5PV-F174K-40	17 - 25	3XL-F4110-00-PD	22 - 1		26 - 33	5PV-F8385-00-P1	30 - 17	4L0-W0041-00	28 - 2	90159-06067	17 - 4
5PV-F174K-50	17 - 25	5PV-F411B-00	22 - 26	3BS-F539F-00	26 - 49	5PV-F8391-60	30 - 15	3XL-W0045-00	25 - 5		17 - 12
55F-F1751-00	18 - 1	3XL-F4181-00	22 - 2	3XL-F5446-00	26 - 22	5PV-F8391-70	30 - 15	404-W0048-30	25 - 10		17 - 14
55F-F177G-00	17 - 16	3XL-F4182-00	22 - 3	5PV-F582U-00	25 - 1	5PV-F8391-80	30 - 15	4X8-W0057-00	25 - 7	90159-06084	4 - 26
55F-F1785-00	17 - 18	3XL-F4186-00	22 - 5	5H3-F5843-00	25 - 3	5PV-F8392-60	30 - 16	90101-06278	26 - 14	90164-04023	33 - 18
5PV-F179L-00	17 - 28	5PV-F4244-60	22 - 22	5H3-F5846-00	24 - 8	5PV-F8392-70	30 - 16	90105-08045	15 - 2	90170-06010	36 - 17
5PV-F179L-10	17 - 28	5PV-F4244-70	22 - 22	3XL-F5872-01	28 - 8	5PV-F8392-80	30 - 16	90105-08721	15 - 3	90170-12060	10 - 15
5PV-F179L-20	17 - 28	5PV-F4244-80	22 - 22	3YR-F6129-00	27 - 19	5PV-F8393-60	30 - 29	90105-10006	20 - 9	90170-12337	2 - 27
5PV-F2110-00-WN	19 - 1	5PV-F4245-60	22 - 23	4UL-F6241-00	27 - 9	5PV-F8393-70	30 - 29	90105-10634	25 - 13	90171-14016	26 - 43
3XL-F2151-00	19 - 10	5PV-F4245-70	22 - 23	4UL-F6242-00	27 - 6	5PV-F8393-80	30 - 29	90105-10778	19 - 21	90171-14020	24 - 21
3XL-F2210-00	19 - 17	5PV-F4245-80	22 - 23	3XL-F6243-00	27 - 7	5PV-F8394-60	30 - 30	90109-063F7	13 - 11	90175-06013	29 - 16
55F-F2311-00	19 - 13	5PV-F4246-60	22 - 24	3XL-F6246-00	27 - 10	5PV-F8394-70	30 - 30	90109-06470	29 - 7	90176-08061	1 - 7
5PV-F3102-10	21 - 1	5PV-F4246-70	22 - 24	5PV-F6260-00	27 - 11	5PV-F8394-80	30 - 30	90109-06577	36 - 13	90179-08148	27 - 15
5PV-F3103-10	21 - 17	5PV-F4247-60	22 - 25	3YR-F6280-00	27 - 16	3XL-H2100-00	38 - 1	90109-06797	36 - 3	90179-08168	26 - 25
5PV-F3106-00	21 - 2	5PV-F4247-70	22 - 25	3YR-F6290-00	27 - 17	5PV-H2116-00	38 - 2	90109-08063	26 - 35	90179-08299	1 - 21
5PV-F3107-00	21 - 18	3XL-F4724-00	23 - 7	5LW-F629T-00	27 - 18	2N9-H2121-00	38 - 5	90109-08361	26 - 23	90179-12248	31 - 5
3XL-F3110-10	21 - 3	3XL-F4728-00	23 - 3	3XL-F6335-00	27 - 13	4J7-H2131-00	38 - 3	90109-08367	25 - 2	90179-12659	9 - 18
	21 - 19	5PV-F4730-00	23 - 1	3XL-F6372-00	27 - 21	5PV-H2583-00	38 - 16	90109-08368	26 - 36		10 - 11
1X0-F3111-00	21 - 12	5PV-F4731-00	23 - 2	5PV-F7111-00-33	29 - 47	5PV-H2590-00	38 - 15	90109-10473	29 - 3	90179-25802	20 - 6
	21 - 28	3XL-F4738-00	23 - 4	5PV-F7211-00	29 - 5	5PV-H2599-00	38 - 17	90109-105A5	29 - 51	90183-05042	35 - 14
146-F3114-00	21 - 13	5PV-F473R-00	23 - 17	5BU-F7214-00	29 - 53	5PV-H3310-00	32 - 1	90116-08166	6 - 2	90185-08054	15 - 4
	21 - 29	5PV-F473T-00	23 - 18	55F-F7311-01	29 - 1	4AC-H3311-00	32 - 2	90116-08318	1 - 18	90185-10037	29 - 4
5PV-F3118-00	21 - 9	5BU-F4742-00	23 - 14	3XL-F7410-00	29 - 17		32 - 9	90116-08388	1 - 19	90201-05013	6 - 11
	21 - 25	5PV-F476U-00	22 - 20	3XL-F7413-00	29 - 18	5LM-H3311-00	35 - 7	90116-08393	1 - 6	90201-05725	30 - 6
3XL-F3141-00	21 - 7	5PV-F476V-00	22 - 21		29 - 20	4TT-H3312-00	32 - 3	90119-05001	10 - 7	90201-06055	6 - 12
	21 - 23	5BU-F4773-00-P6	23 - 13	3XL-F741G-00	15 - 21		32 - 10	90119-05062	19 - 11	90201-06071	35 - 11
3XL-F3144-10	21 - 6	37L-F5111-00-98	24 - 1	3XL-F7420-00	29 - 19	4TT-H331E-00	32 - 5		34 - 4	90201-06557	30 - 13
	21 - 22	5H3-F5115-00	24 - 3	3XL-F7431-00	29 - 22	5PV-H3320-00	32 - 8	90119-06044	16 - 5	90201-06674	12 - 8
3XL-F3145-10	21 - 16		26 - 3	3XL-F7432-00	29 - 21	5PV-H3321-00	32 - 6		18 - 6	90201-08624	3 - 12
	21 - 32	5H3-F5149-00	24 - 7		29 - 31	4TT-H332E-00	32 - 12	90119-06056	19 - 15	90201-087H6	12 - 4
3XL-F3146-10	21 - 8	5PV-F5181-00	24 - 20	3XL-F7433-00	29 - 23	5PV-H3332-00	35 - 3	90119-06060	23 - 22	90201-10118	28 - 14
	21 - 24	5H3-F5195-00	24 - 11		29 - 33	5PV-H3341-00	32 - 13		23 - 23	90201-101J1	6 - 16
509-F3158-L0	21 - 10	5H3-F5196-00	24 - 9	3XL-F7441-00	29 - 32	5PV-H3370-00	37 - 9	90119-06079	17 - 17	90201-106F2	19 - 20
	21 - 26	5H3-F5197-00	24 - 10	5PV-F7452-10	29 - 41	55F-H3373-00	37 - 11	90119-06114	16 - 6	90201-12190	19 - 18
1X0-F3168-00	21 - 14	5BP-F530K-20	26 - 10	5PV-F7462-10	29 - 43	5PV-H3550-00	33 - 23	90119-06117	4 - 12	90201-122F8	7 - 13
	21 - 30	55F-F5311-00-98	26 - 1	55F-F811G-00	23 - 21	3XL-H3560-00	33 - 24		19 - 14	90201-123L6	31 - 4
55F-F3170-00	21 - 4	55F-F5321-00-98	26 - 9	5PV-F8350-00-P3	30 - 1	3XL-H3972-00	36 - 7	90123-08046	27 - 14	90201-12749	14 - 15
	21 - 20	3XL-F5355-00	26 - 13	5PV-F8350-00-P4	30 - 1	3XL-H3976-00	36 - 9	90149-04242	22 - 12	90201-127J6	9 - 14
2K5-F3173-00	21 - 5	5H3-F5364-00	26 - 8	5PV-F8350-00-P5	30 - 1	5PV-H4310-00	34 - 1	90149-06011	22 - 14	90201-14217	10 - 24
	21 - 21	55F-F5366-00	26 - 18	5PV-F8365-00	30 - 7	4UE-H4312-00	34 - 2	90149-06131	36 - 15	90201-154E8	9 - 8
5PV-F3174-00	20 - 11	55F-F5371-00	26 - 34	3XL-H836A-00	30 - 21	5PV-H4343-00	34 - 3	90150-05023	30 - 4	90201-156J5	26 - 52
278-F3181-50	21 - 11	5PV-F5381-00	26 - 40	5PV-F836B-00	33 - 21	5PV-H451E-00	35 - 2	90150-06021	30 - 18	90201-20266	11 - 6
	21 - 27	3BS-F5388-10	26 - 47	5PV-F836D-00	30 - 14	5PV-H4702-00	35 - 15	90151-05023	13 - 6	90201-202F9	9 - 4
55F-F3340-00	21 - 33	3BS-F5389-00	26 - 48	3XL-F836E-00	30 - 22	5PV-H4710-00	35 - 1	90154-06029	1 - 14	90201-203F0	13 - 8

NUMERICAL INDEX

PART NO.	REF. NO.	PART NO.	REF. NO.	PART NO.	REF. NO.	PART NO.	REF. NO.	PART NO.	REF. NO.	PART NO.	REF. NO.
90201-22555	11 - 21	90464-15800	38 - 19	91317-08030	23 - 15	93306-00422	13 - 3	95027-06030	8 - 7	97706-40620	35 - 8
90201-261L1	27 - 8	90464-20031	15 - 15	91401-20012	14 - 11	93306-004YD	26 - 19	95027-06035	8 - 8	97707-50012	30 - 8
90202-05193	22 - 15	90467-08003	18 - 3		29 - 13	93306-20201	11 - 9	95027-06040	8 - 10		32 - 7
	37 - 15	90467-08075	3 - 26		29 - 30		11 - 22	95301-05600	3 - 7		32 - 14
90202-10165	30 - 20		18 - 5		29 - 40	93306-20204	26 - 5	95304-08600	26 - 50	97707-50016	17 - 8
90204-12007	10 - 10	90467-09006	22 - 19	91401-30030	24 - 22	93306-20205	24 - 4	95307-06600	10 - 19		17 - 11
90206-12074	14 - 17	90467-20050	4 - 15		26 - 44		26 - 4		26 - 15	98506-05035	36 - 8
90208-12015	10 - 14	90468-02033	3 - 9	91701-06040	29 - 28	93306-20216	2 - 22		29 - 46	98506-05040	36 - 10
90208-12040	9 - 16		4 - 28		29 - 38	93306-202YK	26 - 5		30 - 28	98506-05045	36 - 11
90208-17032	10 - 12	90468-08086	3 - 22	92901-05100	3 - 6	93306-202YL	24 - 4		35 - 12	98507-03008	4 - 4
90209-06187	19 - 12	90468-12007	26 - 38	92903-08600	26 - 51		26 - 4	95307-08600	26 - 37		22 - 13
90209-10020	20 - 10	90468-15020	3 - 23	92903-14200	24 - 23	93306-20313	2 - 23	95607-06100	36 - 4	98507-05010	22 - 17
90209-15270	11 - 17	90468-26048	9 - 3	92907-03100	4 - 5	93306-20529	2 - 13		36 - 14		29 - 24
90209-18135	11 - 19	90480-01141	17 - 7	92907-06100	12 - 10	93306-30304	11 - 8	95607-12200	19 - 9		29 - 34
90209-22257	2 - 6	90480-12053	17 - 15		29 - 8	93306-30401	11 - 23	95707-05500	16 - 11	98507-05014	3 - 14
90215-12235	2 - 26	90480-12320	20 - 14		36 - 6	93306-30421	2 - 14		30 - 5	98507-06012	15 - 11
90240-06076	29 - 11		23 - 12	92907-06200	10 - 18	93310-216J2	2 - 10		37 - 17		28 - 10
90249-12008	29 - 15	90480-13398	17 - 2		14 - 10	93310-522J0	2 - 7	95707-06500	23 - 5	98507-06016	23 - 10
90280-03017	2 - 18	90480-13804	17 - 6		29 - 29	93315-218Y4	19 - 3	95707-08500	6 - 3		38 - 9
90282-04036	13 - 4		17 - 10		29 - 39	93317-218Y4	19 - 2		15 - 19	98507-06020	37 - 4
90282-05013	2 - 24	90480-13813	30 - 12	92907-06600	4 - 22	93410-20038	11 - 7	95707-10500	6 - 15	98507-06025	4 - 21
90282-05047	2 - 19		35 - 13		15 - 12	93410-22039	11 - 20		19 - 19	98507-06030	7 - 9
90338-16148	15 - 6	90480-18880	35 - 9		23 - 11	93430-08007	3 - 19		29 - 52	98507-06045	7 - 4
90338-18122	15 - 5	90501-10245	29 - 14		28 - 11		9 - 15	95807-06012	20 - 13	98507-06060	7 - 10
90340-12059	7 - 5	90501-10312	36 - 16		29 - 12	93430-10015	29 - 49		20 - 15	98507-08010	7 - 8
90380-12816	19 - 7	90501-13866	9 - 12		38 - 10	93450-17044	2 - 12		35 - 16	98507-08020	31 - 3
90387-06043	30 - 19	90501-16761	29 - 25		38 - 13	93501-04011	20 - 4	95807-06014	37 - 14	98706-04012	28 - 5
90387-060G7	17 - 3		29 - 35	92907-08100	26 - 39		29 - 26	95807-08012	15 - 8	98901-04008	3 - 3
90387-066M1	35 - 10	90501-20568	10 - 6	92907-08600	30 - 25		29 - 36		37 - 10	98907-06008	6 - 10
90387-06820	16 - 9	90506-12001	26 - 11	92907-10600	6 - 14	93503-16003	10 - 20	95817-06016	16 - 2	98907-06010	6 - 8
90387-068J7	30 - 11	90506-15001	26 - 17	93101-10001	3 - 15	93507-32819	9 - 13	95817-08016	15 - 20	98907-06012	15 - 14
90387-12805	19 - 6	90506-20221	29 - 9	93101-12173	14 - 1	93603-22028	3 - 18	95817-08040	15 - 18	98980-06010	6 - 9
90387-150M4	26 - 42	90506-35297	29 - 50	93102-20143	11 - 24	93608-30152	14 - 6	95827-06025	28 - 7	99001-10600	14 - 3
90387-151M3	24 - 18	90507-29033	29 - 2	93103-25098	2 - 15	93822-16095	11 - 25	97007-06012	12 - 9	99009-12400	14 - 16
90387-15877	26 - 21	90508-10514	14 - 5	93103-28097	2 - 16	94108-18801	24 - 13		30 - 27	99009-15400	9 - 9
90387-15878	26 - 41	90508-20555	10 - 23	93104-14004	10 - 25	94109-18801	26 - 29	97007-06016	16 - 8	99231-00140	30 - 31
90387-207F3	2 - 17	90508-26556	9 - 5	93104-22018	26 - 6	94225-18876	24 - 14		29 - 45	99236-00080	17 - 21
90401-10159	28 - 13	90508-26561	13 - 10	93105-45017	24 - 6	94230-18875	26 - 30	97007-06022	36 - 5	99530-10114	1 - 20
90430-04004	3 - 2	90508-32642	14 - 2	93106-22016	24 - 5	94327-18846	24 - 15	97007-06025	30 - 10		8 - 5
90430-10148	37 - 7	90560-12191	14 - 18	93106-26815	26 - 20		26 - 31	97007-08016	30 - 24	99530-12016	7 - 3
90430-12227	7 - 6	90560-15136	26 - 2	93109-18824	19 - 4	94416-18808	26 - 32	97007-08030	22 - 6		
90445-05681	3 - 8	90560-15293	24 - 2	93109-20014	9 - 19	94416-18810	24 - 12	97017-06016	38 - 12		
90445-084A7	38 - 21	91314-08025	20 - 8	93210-07100	3 - 21	94580-88120	26 - 45	97027-06010	11 - 27		
90445-091K5	22 - 18		27 - 3	93210-12095	11 - 18	94680-88001	26 - 46	97027-06020	14 - 14		
90445-092E8	3 - 25	91314-10020	29 - 42	93210-12327	12 - 6	94701-00261	1 - 8	97527-06520	15 - 22		
90445-21551	4 - 14		29 - 44	93210-19123	8 - 12	95027-06025	4 - 10	97607-04116	5 - 15		
90446-07009	7 - 12	91314-10035	6 - 13	93210-42101	26 - 7		33 - 22	97701-30112	32 - 4		
90460-49058	4 - 27	91317-06016	27 - 4	93306-00406	26 - 19	95027-06030	8 - 2		32 - 11		