

PARTS CATALOGUE



MDNMA



PGD

XP560D (B7M7) EUROPE

XP560D (B7M8) SOUTH AFRICA

NEWS NO.	DATE	COMMENT
PE0-MC-200097	Dec.,25,2020	MOD:FIG. 44 ELECTRICAL 1 LIST REVISION

XP560D
PARTS CATALOGUE
©2020 by Yamaha Motor Co., Ltd.
1st edition, October 2020
All rights reserved.
Any reprinting or unauthorized use
without the written permission of
Yamaha Motor Co., Ltd.
is expressly prohibited.
Printed in Japan.

FOREWORD

This Parts Catalogue is related to the parts for the model(s) on the cover page. When you are ordering replacement parts, please refer to this Parts Catalogue and quote both part numbers and part names correctly.

1. Modifications or additions which have been made after the issue of the Parts Catalogue will be announced in the Parts News.
It is advisable that you make the necessary corrections to the Parts Catalogue according to the Parts News.

2. Abbreviations

The following abbreviations are used in this Parts Catalogue.

“UR” Use specified parts number.

“UN” Use as many as needed.

“AP” Alternate Parts

“LM” Locally Made (Parts need to be ordered locally)

“F#” Frame No. (Applicable machine No.)

“O/S” Over Size

3. The number of components for assembly

- Parts, which are to be supplied in an assembly, are listed with a dot (.) in front of the part name as shown below.
- The numeral appearing to the right of each component part indicates the quantity of parts for each assembly unit.

PART NO.	DESCRIPTION	Q'TY	REMARKS
2F5-83310-60	FRONT FLASHER LIGHT ASSY	2	
115-83311-60	.BULB (6V-18W)	1	

4. Applicable colours of graphics are represented in the “REMARKS” as shown below.

PART NO.	DESCRIPTION	Q'TY	REMARKS
2N4-24110-00-X5	FUEL TANK COMP.	2	MXR
3J1-24240-10	.GRAPHIC, FUEL TANK	1	FOR MXR

5. Note that the illustrations for reference in finding parts numbers are not to be used for assembling. When assembling, please use the applicable service manual.

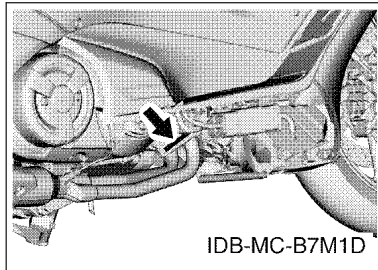
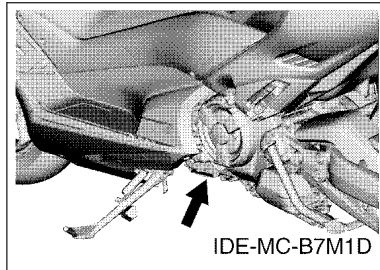
6. The asterisk (*) before a reference number indicates modified items after the first edition.

FOREWORD

7. Applicable Serial No.

Engine Serial No.

Frame Serial No.



8. Applicable Colour Code (The (*) mark shows Model colour.)

Abbreviation	Colour Name	Colour Code
MBL2	MAT BLACK 2	0582
MDNMA(*)	MAT DARK GRAY METALLIC A	1760
NG	NEBURA GOLD	008L
PGD(*)	PASTEL DARK GRAY	003E
SMX	BLACK METALLIC X	0903

CONTENTS

ENGINE

CYLINDER.....	1
CRANKSHAFT & PISTON.....	2
VALVE.....	4
CAMSHAFT & CHAIN.....	6
WATER PUMP.....	7
RADIATOR & HOSE.....	8
OIL PUMP.....	10
INTAKE.....	11
INTAKE 2.....	12
EXHAUST.....	13
CRANKCASE.....	15
CRANKCASE COVER 1.....	16
CRANKCASE COVER 2.....	17
STARTER.....	19
CLUTCH.....	20
CLUTCH 2.....	21
TRANSMISSION.....	23

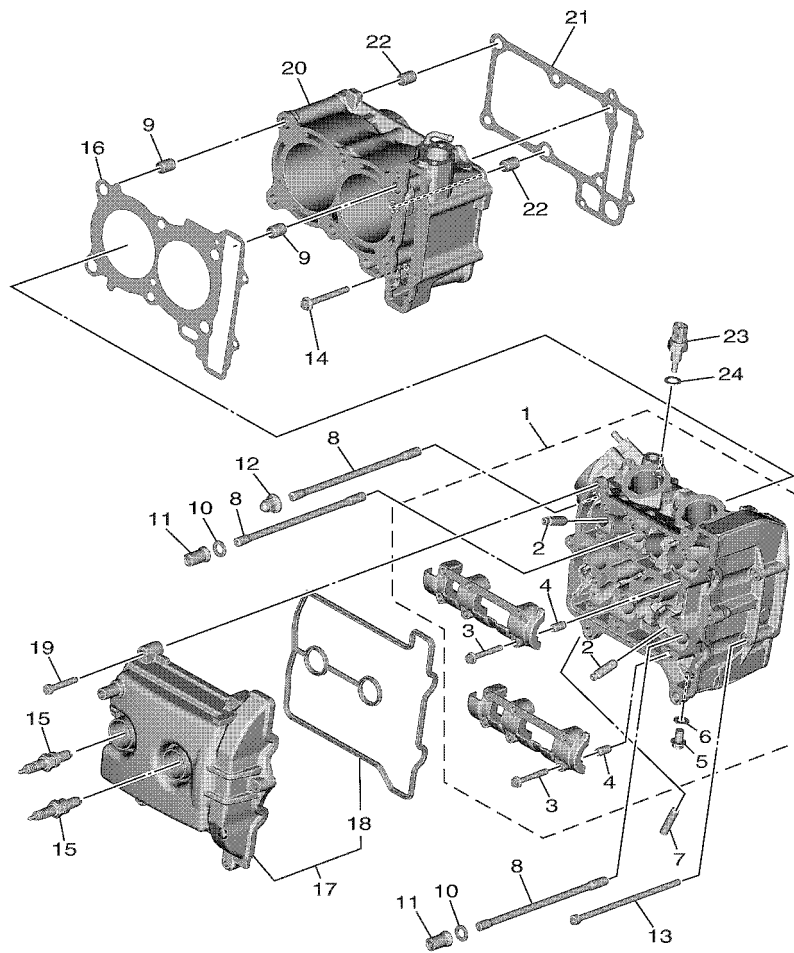
CHASSIS

FRAME.....	24
FENDER.....	27
SIDE COVER.....	28
SIDE COVER 2.....	31
REAR ARM & SUSPENSION.....	33
STEERING.....	36
FRONT FORK.....	37
FUEL TANK.....	39
SEAT.....	41
SEAT 2.....	42
FRONT WHEEL.....	44
FRONT BRAKE CALIPER.....	45
REAR WHEEL.....	47
REAR BRAKE CALIPER.....	48
STEERING HANDLE & CABLE.....	50
FRONT MASTER CYLINDER.....	52
STAND & FOOTREST.....	54
STAND & FOOTREST 2.....	56
LEG SHIELD.....	58
WINDSHIELD.....	60

GENERATOR.....	63
FLASHER LIGHT.....	64
METER.....	65
HEADLIGHT.....	66
TAILLIGHT.....	67
HANDLE SWITCH & LEVER.....	68
ELECTRICAL 1.....	69
ELECTRICAL 2.....	72
ELECTRICAL 3.....	75
ELECTRICAL 4.....	76

INDEX

NUMERICAL INDEX.....	77
----------------------	----



B7M1300DV010

FIG. 1 CYLINDER

REF. NO.	PART NO.	DESCRIPTION	B7M7	B7M8	REMARKS
1	B7M-11101-09	CYLINDER HEAD ASSY	1	1	
2	5NL-11133-10	.GUIDE, VALVE 1	8	8	
3	90105-06027	.BOLT, FLANGE	12	12	
4	91808-16023	.PIN, DOWEL	2	2	
5	95E32-08012	.BOLT, FLANGE DEEP RECESS	1	1	
6	90430-08119	.GASKET	1	1	
7	95612-08618	BOLT, STUD	4	4	
8	90116-09584	BOLT, STUD	6	6	
9	93612-16254	PIN, DOWEL	2	2	
10	90201-090P4	WASHER, PLATE	4	4	
11	90179-09612	NUT	4	4	
12	90176-09001	NUT, CROWN	2	2	
13	90110-06021	BOLT, HEXAGON SOCKET HEAD	2	2	
14	90110-06379	BOLT, HEXAGON SOCKET HEAD	1	1	
15	94701-00443	PLUG, SPARK (NGK LMAR7G)	2	2	
16	B7M-11181-00	GASKET, CYLINDER HEAD 1	1	1	
17	B7M-11190-01	COVER, CYLINDER HEAD 1	1	1	
18	B7M-11193-00	.GASKET, HEAD COVER 1	1	1	
19	91312-06035	BOLT, HEXAGON SOCKET HEAD	6	6	
20	B7M-11310-09	CYLINDER	1	1	
21	59C-11351-00	GASKET, CYLINDER	1	1	
22	93612-16254	PIN, DOWEL	2	2	
23	4P9-83591-00	THERMO UNIT	1	1	
24	90430-10004	GASKET	1	1	

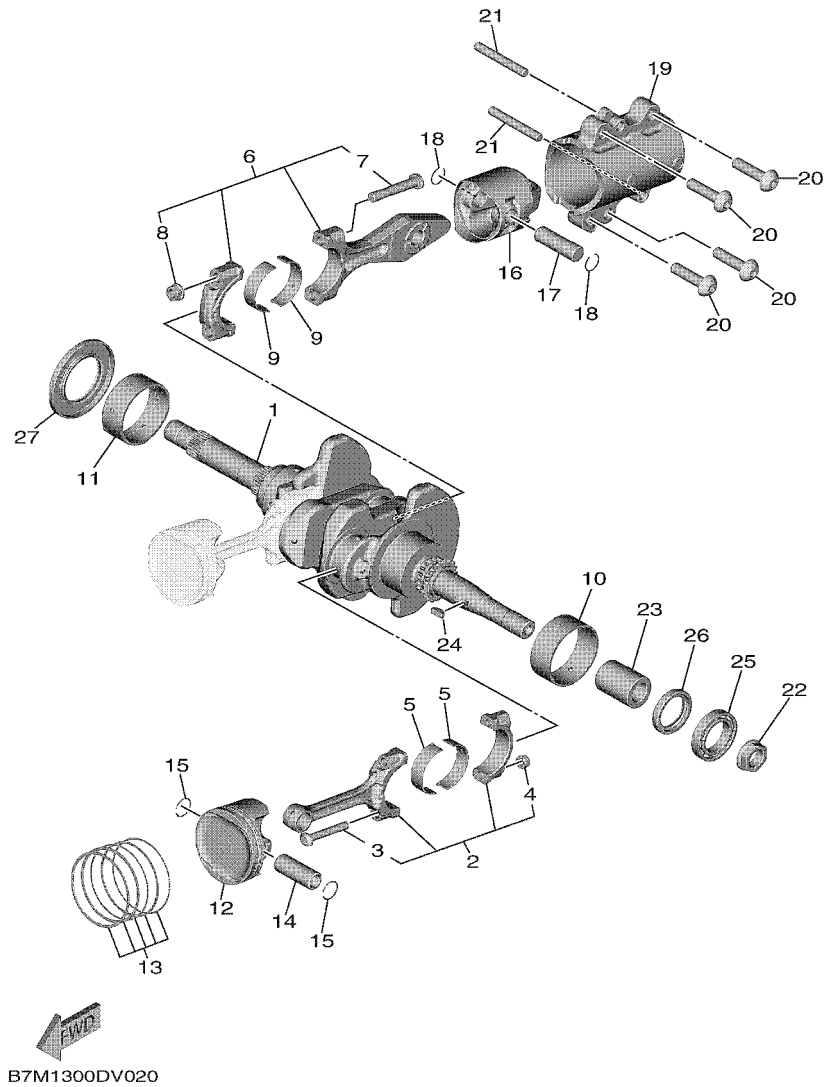


FIG. 2 CRANKSHAFT & PISTON

REF. NO.	PART NO.	DESCRIPTION			REMARKS
			B7M7	B7M8	
1	B7M-11400-01	CRANKSHAFT ASSY	1	1	
2	B7M-11650-00	CONNECTING ROD ASSY	2	2	
3	5VU-11654-00	.BOLT, CONNECTING ROD	2	2	
4	90179-07652	.NUT	2	2	
5	B7M-11656-00	PLANE BEARING, CONNECTING ROD	4	4	UR BLUE
	B7M-11656-10	PLANE BEARING, CONNECTING ROD	4	4	UR BLACK
	B7M-11656-20	PLANE BEARING, CONNECTING ROD	4	4	UR BROWN
	B7M-11656-30	PLANE BEARING, CONNECTING ROD	4	4	UR GREEN
6	59C-11660-10	CONNECTING ROD ASSY	1	1	
7	4X7-11654-01	.BOLT, CONNECTING ROD	2	2	
8	90179-09379	.NUT	2	2	
9	B7M-11656-00	PLANE BEARING, CONNECTING ROD	2	2	UR BLUE
	B7M-11656-10	PLANE BEARING, CONNECTING ROD	2	2	UR BLACK
	B7M-11656-20	PLANE BEARING, CONNECTING ROD	2	2	UR BROWN
	B7M-11656-30	PLANE BEARING, CONNECTING ROD	2	2	UR GREEN
10	B7M-11416-00	PLANE BEARING, CRANKSHAFT 1	1	1	UR BLUE
	B7M-11416-10	PLANE BEARING, CRANKSHAFT 1	1	1	UR BLACK
	B7M-11416-20	PLANE BEARING, CRANKSHAFT 1	1	1	UR BROWN
	B7M-11416-30	PLANE BEARING, CRANKSHAFT 1	1	1	UR GREEN
	B7M-11416-40	PLANE BEARING, CRANKSHAFT 1	1	1	UR YELLOW
	B7M-11416-A0	PLANE BEARING, CRANKSHAFT 1	1	1	UR WHITE
11	B7M-11417-00	PLANE BEARING, CRANKSHAFT 2	1	1	UR BLUE
	B7M-11417-10	PLANE BEARING, CRANKSHAFT 2	1	1	UR BLACK
	B7M-11417-20	PLANE BEARING, CRANKSHAFT 2	1	1	UR BROWN
	B7M-11417-30	PLANE BEARING, CRANKSHAFT 2	1	1	UR GREEN
	B7M-11417-40	PLANE BEARING, CRANKSHAFT 2	1	1	UR YELLOW
	B7M-11417-A0	PLANE BEARING, CRANKSHAFT 2	1	1	UR WHITE

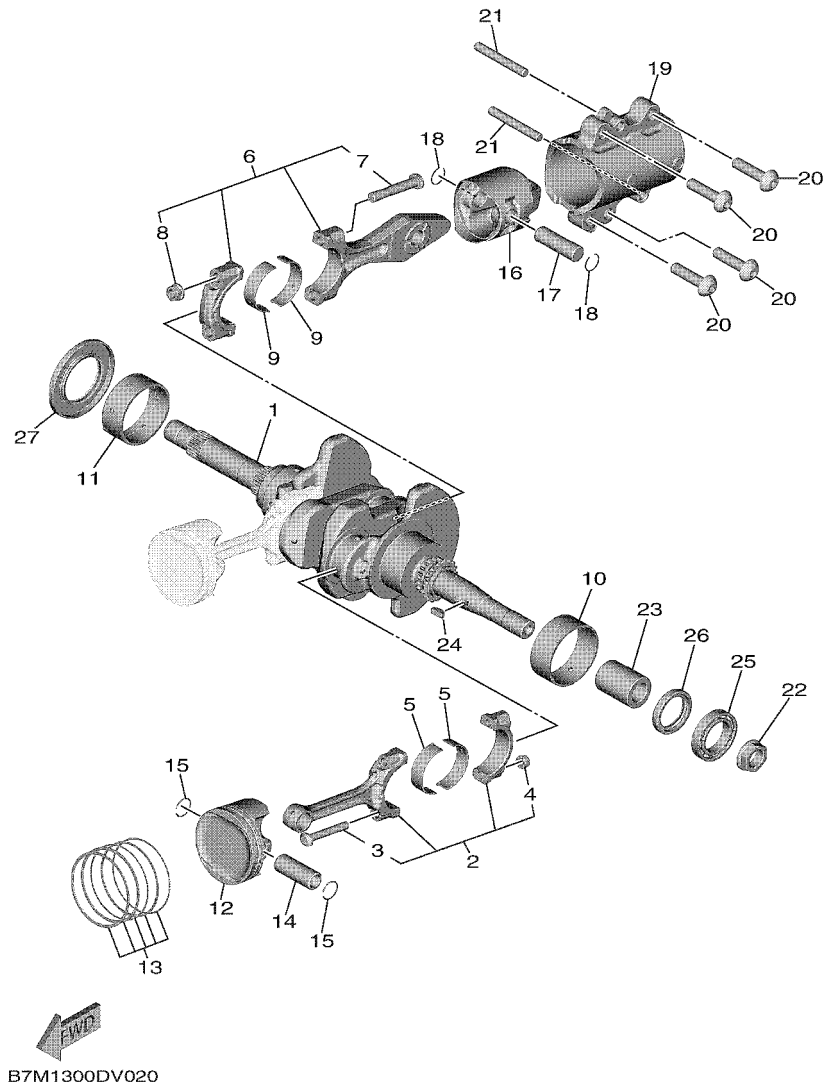
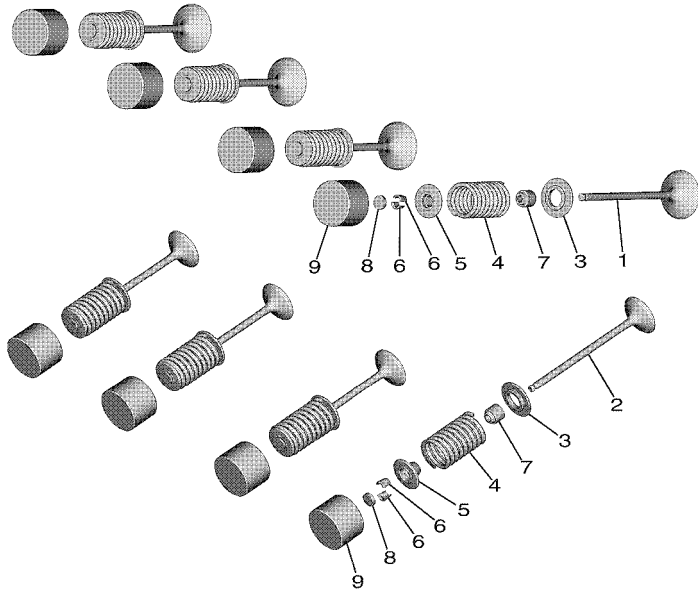


FIG. 2 CRANKSHAFT & PISTON

REF. NO.	PART NO.	DESCRIPTION	B7M7	B7M8	REMARKS
12	B7M-11631-00	PISTON (STD)	2	2	
13	B7M-11603-00	PISTON RING SET (STD)	2	2	
14	B7M-11633-00	PIN, PISTON	2	2	
15	93450-18157	CIRCLIP	4	4	
16	BC3-11642-01-A0	PISTON 2 (STD)	1	1	
17	5GJ-11455-10	SHAFT 1	1	1	
18	93450-16068	CIRCLIP	2	2	
19	59C-11312-00	SLEEVE, CYLINDER	1	1	
20	90111-10026	BOLT, HEX. SOCKET BUTTON	4	4	
21	93608-60001	PIN, DOWEL	2	2	
22	90179-18007	NUT	1	1	
23	90387-18001	COLLAR	1	1	
24	90280-05048	KEY, WOODRUFF	1	1	
25	93306-90602	BEARING	1	1	
26	93101-30001	OIL SEAL	1	1	
27	93102-44008	OIL SEAL	1	1	

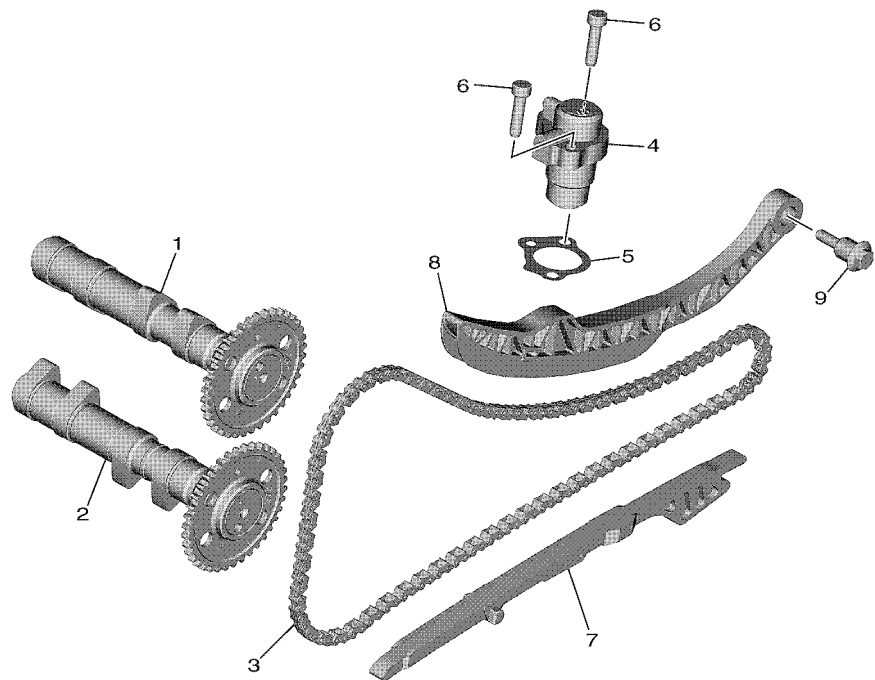


BC31300DS030

FIG. 3 VALVE

REF. NO.	PART NO.	DESCRIPTION	B7M7	B7M8			REMARKS
1	B7M-12111-00	VALVE, INTAKE	4	4			
2	59C-12121-01	VALVE, EXHAUST	4	4			
3	8GC-12126-00	SEAT, VALVE SPRING 2	8	8			
4	59C-12113-00	SPRING, VALVE INNER	8	8			
5	3TJ-12117-00	RETAINER, VALVE SPRING	8	8			
6	1HX-12118-00	LOCK, VALVE SPRING RETAINER	16	16			
7	4TV-12119-00	SEAL, VALVE STEM	8	8			
8	1HX-12168-00	PAD, ADJUSTING 2 (1.20)	8	8			UR
	1HX-12168-20	PAD, ADJUSTING 2 (1.25)	8	8			UR
	1HX-12168-40	PAD, ADJUSTING 2 (1.30)	8	8			UR
	1HX-12168-60	PAD, ADJUSTING 2 (1.35)	8	8			UR
	1HX-12168-80	PAD, ADJUSTING 2 (1.40)	8	8			UR
	1HX-12168-A0	PAD, ADJUSTING 2 (1.45)	8	8			UR
	1HX-12168-F0	PAD, ADJUSTING 2 (1.50)	8	8			UR
	1HX-12168-H1	PAD, ADJUSTING 2 (1.55)	8	8			UR
	1HX-12168-K1	PAD, ADJUSTING 2 (1.60)	8	8			UR
	1HX-12168-M1	PAD, ADJUSTING 2 (1.65)	8	8			UR
	1HX-12168-R1	PAD, ADJUSTING 2 (1.70)	8	8			UR
	1HX-12168-U1	PAD, ADJUSTING 2 (1.75)	8	8			UR
	1HX-12168-W1	PAD, ADJUSTING 2 (1.80)	8	8			UR
	1HX-12168-Y1	PAD, ADJUSTING 2 (1.85)	8	8			UR
	1HX-12169-11	PAD, ADJUSTING 2 (1.90)	8	8			UR
	1HX-12169-31	PAD, ADJUSTING 2 (1.95)	8	8			UR
	1HX-12169-50	PAD, ADJUSTING 2 (2.00)	8	8			UR
	1HX-12169-70	PAD, ADJUSTING 2 (2.05)	8	8			UR
	1HX-12169-90	PAD, ADJUSTING 2 (2.10)	8	8			UR
	1HX-12169-E0	PAD, ADJUSTING 2 (2.15)	8	8			UR

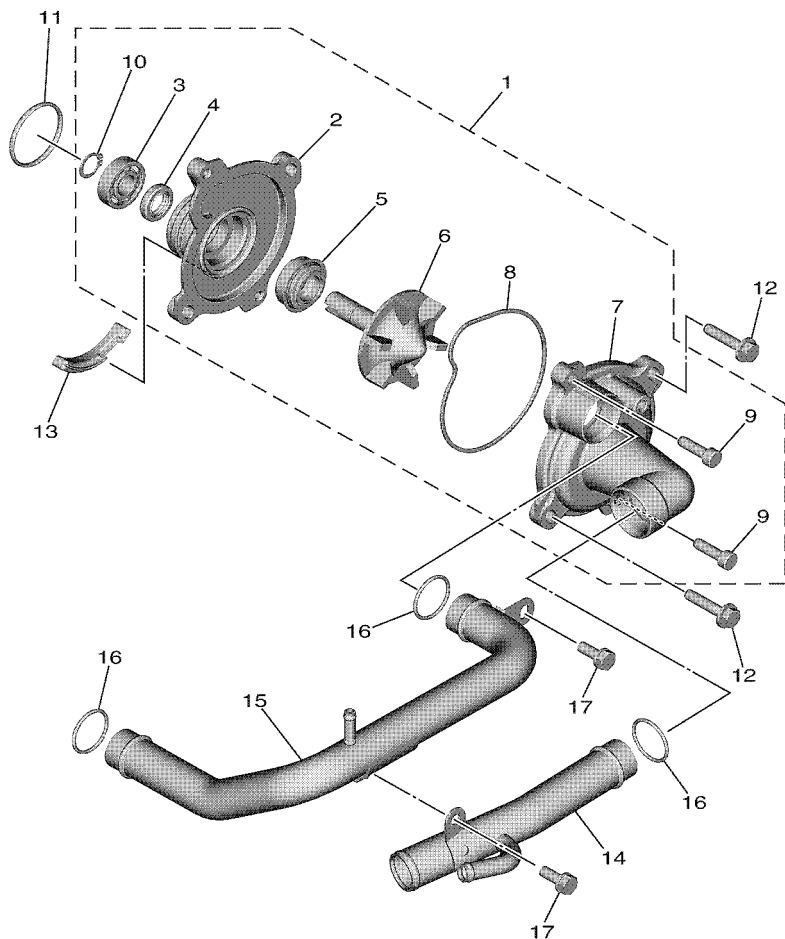
FIG. 4 CAMSHAFT & CHAIN




 B7M1300DV040

REF. NO.	PART NO.	DESCRIPTION	B7M7	B7M8	REMARKS
1	B7M-12170-00	CAMSHAFT ASSY 1	1	1	
2	B7M-12180-00	CAMSHAFT ASSY 2	1	1	
3	94591-53134	CHAIN	1	1	
4	B7M-12210-00	TENSIONER ASSY, CAM CHAIN	1	1	
5	15B-12213-00	GASKET, TENSIONER CASE	1	1	
6	91312-06025	BOLT, HEXAGON SOCKET HEAD	2	2	
7	59C-12251-00	DAMPER, CHAIN 1	1	1	
8	B7M-12252-00	DAMPER, CHAIN 2	1	1	
9	90109-06295	BOLT	1	1	

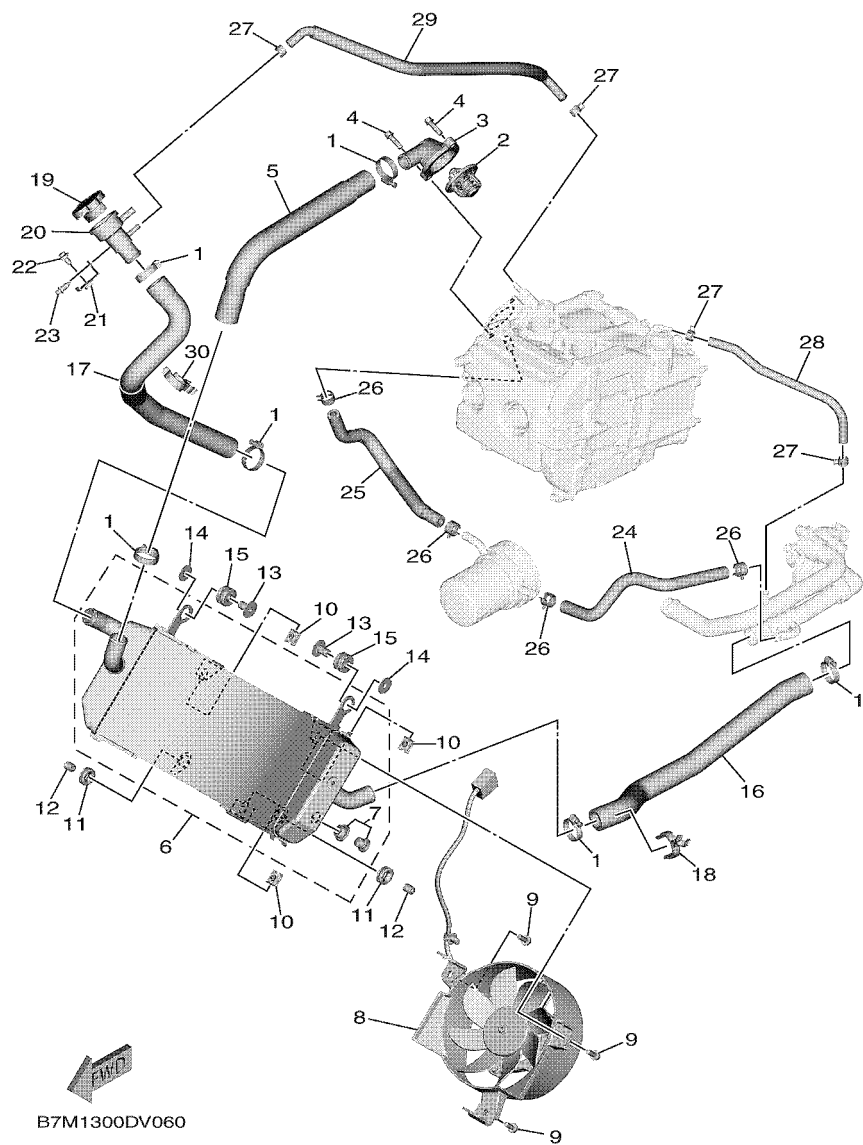
FIG. 5 WATER PUMP



AWC
B7M1300DV050

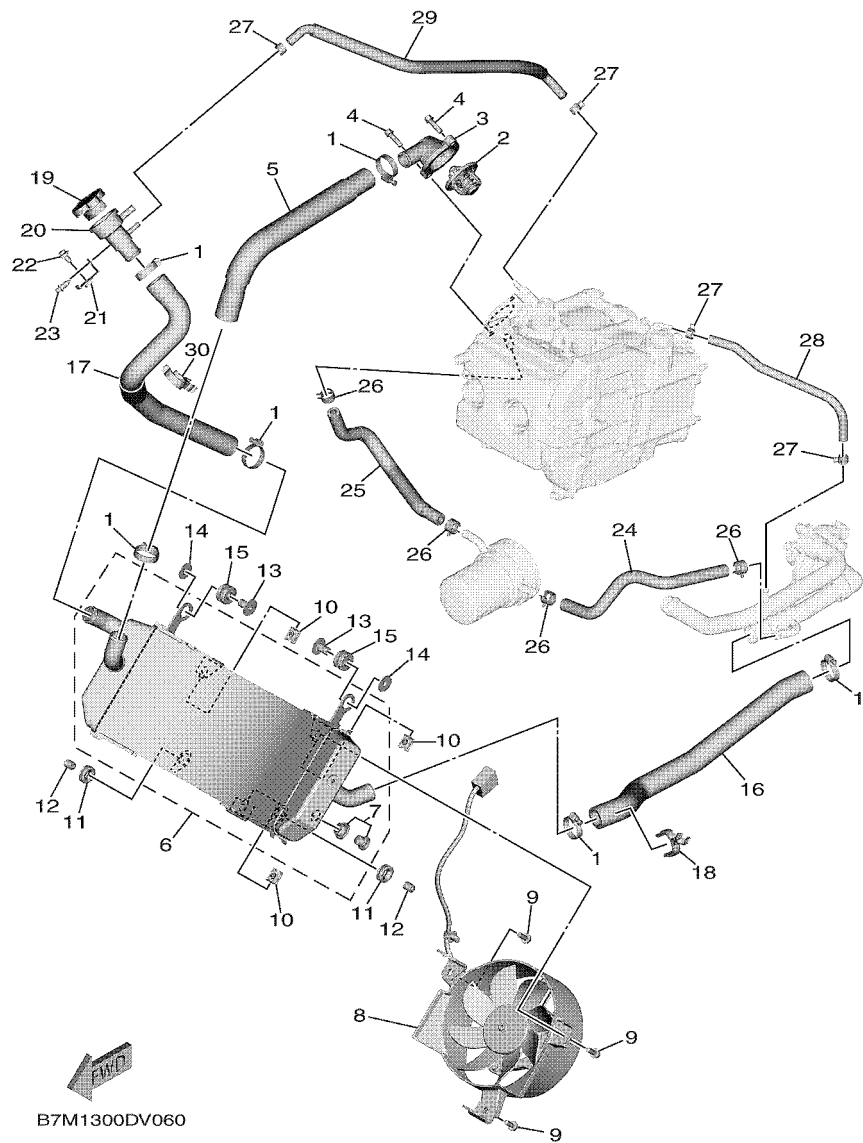
REF. NO.	PART NO.	DESCRIPTION	B7M7	B7M8	REMARKS
1	59C-12420-10	WATER PUMP ASSY	1	1	
2	5VU-12421-00	.HOUSING, WATER PUMP	1	1	
3	93306-00106	.BEARING	1	1	
4	93102-12442	.OIL SEAL	1	1	
5	5VK-12438-00	.SEAL, MECHANICAL	1	1	
6	20S-12450-00	.IMPELLER SHAFT ASSY	1	1	
7	5GJ-12422-02	.COVER, HOUSING	1	1	
8	1WG-12439-00	.O-RING	1	1	
9	91312-06020	.BOLT, HEXAGON SOCKET HEAD	2	2	
10	99009-12400	.CIRCLIP	1	1	
11	93210-33133	O-RING	1	1	
12	90119-06312	BOLT, WITH WASHER	2	2	
13	59C-12437-00	STOPPER	1	1	
14	B7M-12481-00	PIPE 1	1	1	
15	B7M-12482-00	PIPE 2	1	1	
16	93210-21190	O-RING	3	3	
17	90119-06270	BOLT, WITH WASHER	2	2	

FIG. 6 RADIATOR & HOSE

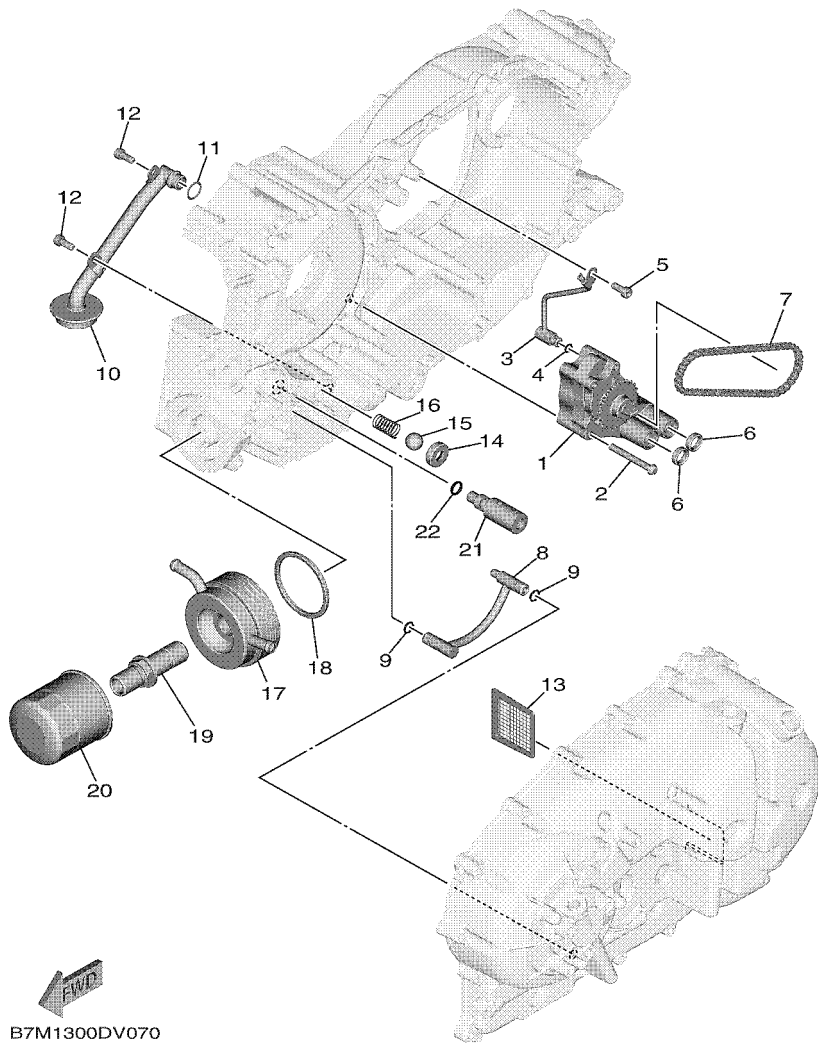


REF. NO.	PART NO.	DESCRIPTION	B7M7	B7M8	REMARKS
1	90450-32015	HOSE CLAMP ASSY	6	6	
2	1WS-12410-01	THERMOSTAT ASSY	1	1	
3	B7M-12413-00	COVER, THERMOSTAT	1	1	
4	95E32-06020	BOLT, FLANGE DEEP RECESS	2	2	
5	B7M-12483-00	PIPE 3	1	1	
6	B7M-12461-00	RADIATOR COMP	1	1	
7	5VU-12478-00	.COCK, DRAIN	1	1	
8	BC3-12405-00	BLOWER ASSY	1	1	
9	2S3-12675-00	BOLT, BLOWER HOLDING	3	3	
10	5SL-12671-00	NUT 1	3	3	
11	90480-16301	GROMMET	2	2	
12	90387-065L7	COLLAR	2	2	
13	90387-06065	COLLAR	2	2	
14	90201-06033	WASHER, PLATE	2	2	
15	90480-15363	GROMMET	2	2	
16	BC3-12476-00	PIPE 6	1	1	
17	BC3-12477-00	PIPE 7	1	1	
18	90464-28175	CLAMP	1	1	
19	5SL-12462-00	CAP, RADIATOR	1	1	
20	5GJ-12591-00	SUPT, FILLER NECK	1	1	
21	BC3-1244E-00	BRACKET 1	1	1	
22	90109-06264	BOLT	1	1	
23	90269-07014	RIVET	1	1	
24	B7M-1243A-00	HOSE 1	1	1	
25	B7M-1243E-00	HOSE 2	1	1	
26	90467-15001	CLIP	4	4	
27	90467-10038	CLIP	4	4	

FIG. 6 RADIATOR & HOSE



REF. NO.	PART NO.	DESCRIPTION	B7M7	B7M8	REMARKS
28	BC3-12589-00	HOSE 6	1	1	
29	B7M-12551-00	HOSE 7	1	1	
30	90464-23001	CLAMP	1	1	



B7M1300DV070

FIG. 7 OIL PUMP

REF. NO.	PART NO.	DESCRIPTION	B7M7	B7M8	REMARKS
1	59C-13300-00	OIL PUMP ASSY	1	1	
2	92012-06050	BOLT, BUTTON HEAD	3	3	
3	5GJ-13161-00	PIPE, DELIVERY 1	1	1	
4	93210-06422	O-RING	1	1	
5	90110-06168	BOLT, HEXAGON SOCKET HEAD	1	1	

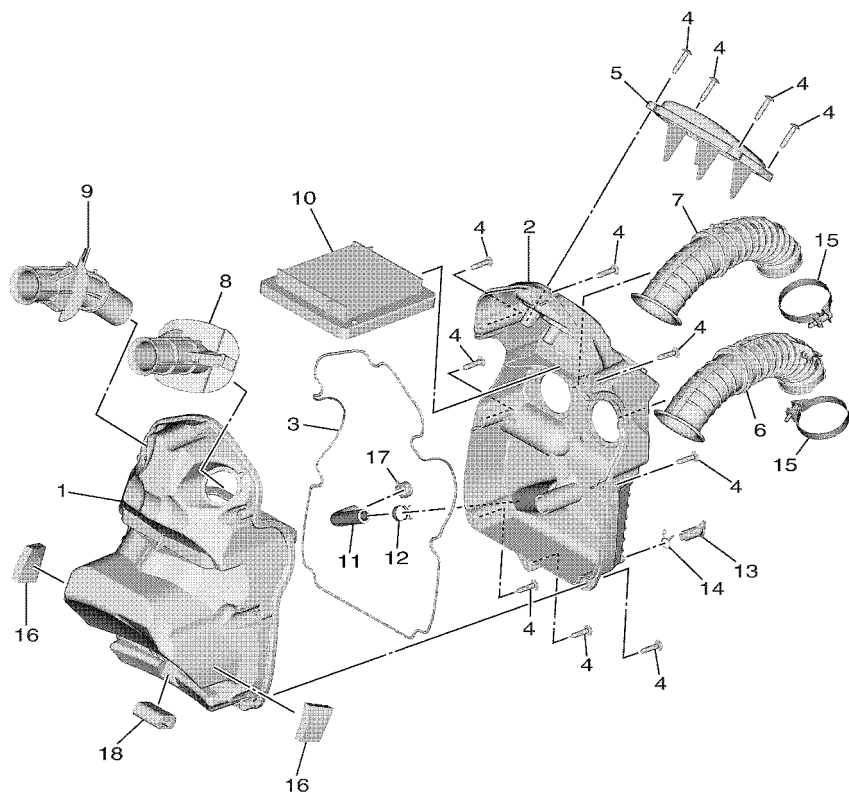
6	5GJ-13475-00	GASKET	2	2	
7	94580-25058	CHAIN (DID25 58L)	1	1	
8	5GJ-13405-00	OIL PIPE COMP. 1	1	1	
9	93210-09525	O-RING	2	2	
10	5GJ-13410-00	STRAINER HOUSING ASSY	1	1	

11	93210-14579	O-RING	1	1	
12	90110-06168	BOLT, HEXAGON SOCKET HEAD	2	2	
13	22F-13411-01	STRAINER, OIL	1	1	
14	3LD-13113-00	SEAT, CHECK BALL	1	1	
15	93505-08030	BALL	1	1	

16	90501-104F9	SPRING, COMPRESSION	1	1	
17	B7M-13470-00	OIL COOLER ASSY	1	1	
18	1XD-13475-00	GASKET	1	1	
19	90401-20009	BOLT, UNION	1	1	
20	5GH-13440-61	ELEMENT ASSY, OIL CLEANER	1	1	

21	4G0-13490-01	RELIEF VALVE ASSY	1	1	
22	93210-10096	O-RING	1	1	

FIG. 8 INTAKE



← FWD
B7M1300DV080

REF. NO.	PART NO.	DESCRIPTION			REMARKS
			B7M7	B7M8	
1	B7M-14411-00	CASE, AIR CLEANER 1	1	1	
2	B7M-14412-00	CAP, CLEANER CASE 1	1	1	
3	B7M-14452-00	SEAL	1	1	
4	90160-05013	SCREW, ROUND TAPPING	12	12	
5	B7M-1441A-00	COVER, CLEANER CASE 1	1	1	
6	B7M-14469-00	FUNNEL, AIR	1	1	
7	B7M-1446C-00	FUNNEL 2	1	1	
8	BC3-14437-00	DUCT	1	1	
9	BC3-1443A-00	DUCT	1	1	
10	B7M-14451-00	ELEMENT, AIR CLEANER	1	1	
11	B7M-11166-00	PIPE, BREATHER 1	1	1	
12	90467-15054	CLIP	1	1	
13	5XT-1443E-00	PIPE, DRAIN	1	1	
14	90467-11106	CLIP	1	1	
15	90450-46005	HOSE CLAMP ASSY	2	2	
16	90520-10036	DAMPER, PLATE	2	2	
17	90467-15001	CLIP	1	1	
18	B7M-14409-00	DAMPER	1	1	

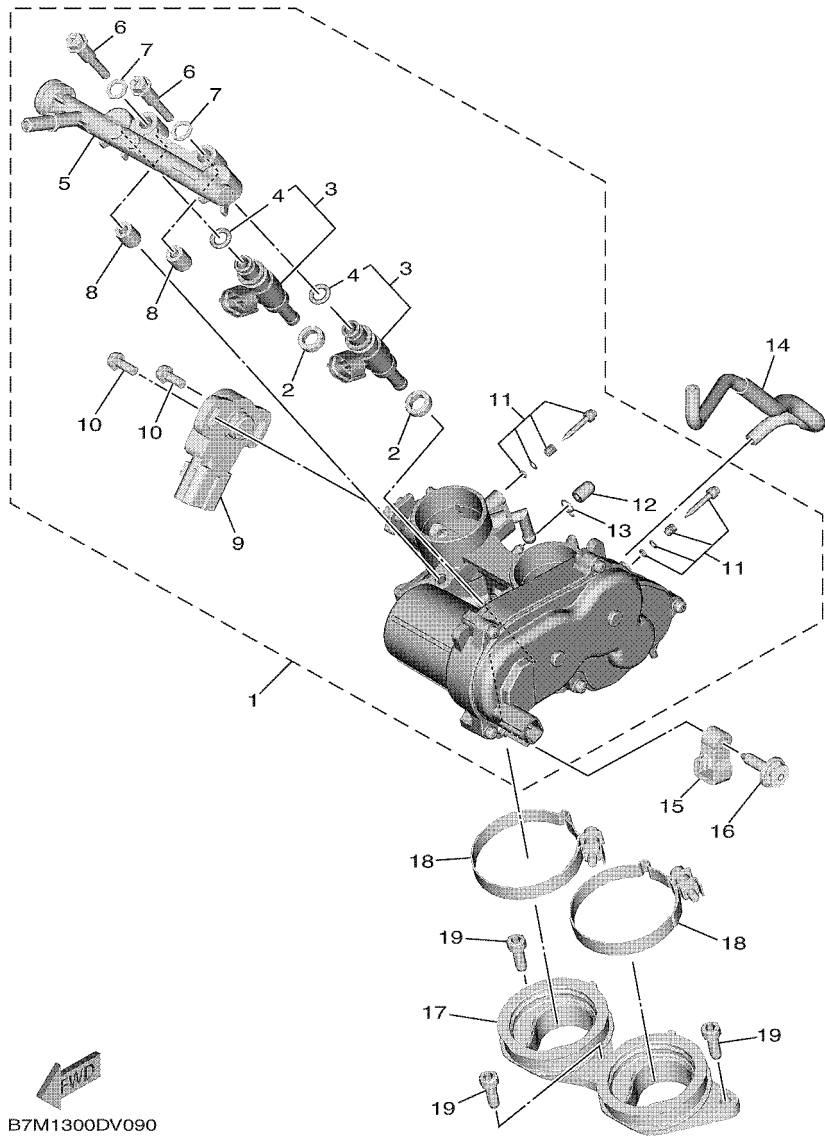


FIG. 9 INTAKE 2

REF. NO.	PART NO.	DESCRIPTION	B7M7	B7M8	REMARKS
1	B7M-13750-01	THROTTLE BODY ASSY	1	1	
2	8FP-13556-00	.RUBBER, INJECTOR	2	2	
3	1WS-13761-10	.INJECTOR	2	2	
4	5PS-14147-00	.O-RING	1	1	
5	B7M-13938-00	.PIPE	1	1	
6	8HG-13573-00	.BOLT 1	2	2	
7	8GL-13571-00	.WASHER	2	2	
8	8HG-14534-00	.COLLAR	2	2	
9	B7M-85885-00	.THROTTLE SENSOR ASSY	1	1	
10	8CC-14216-10	.SCREW	2	2	
11	2C0-14105-00	.PILOT SCREW SET	2	2	
12	895-14169-00	.CAP	1	1	
13	8A7-14139-00	.CLIP, PIPE	1	1	
14	B7M-13542-00	HOSE, VACUUM SENSING 1	1	1	
15	B7M-14435-00	GROMMET	1	1	
16	90269-06010	RIVET	1	1	
17	B7M-13635-00	JOINT, INTAKE 1	1	1	
18	90450-56009	HOSE CLAMP ASSY	2	2	
19	91312-06016	BOLT, HEXAGON SOCKET HEAD	3	3	

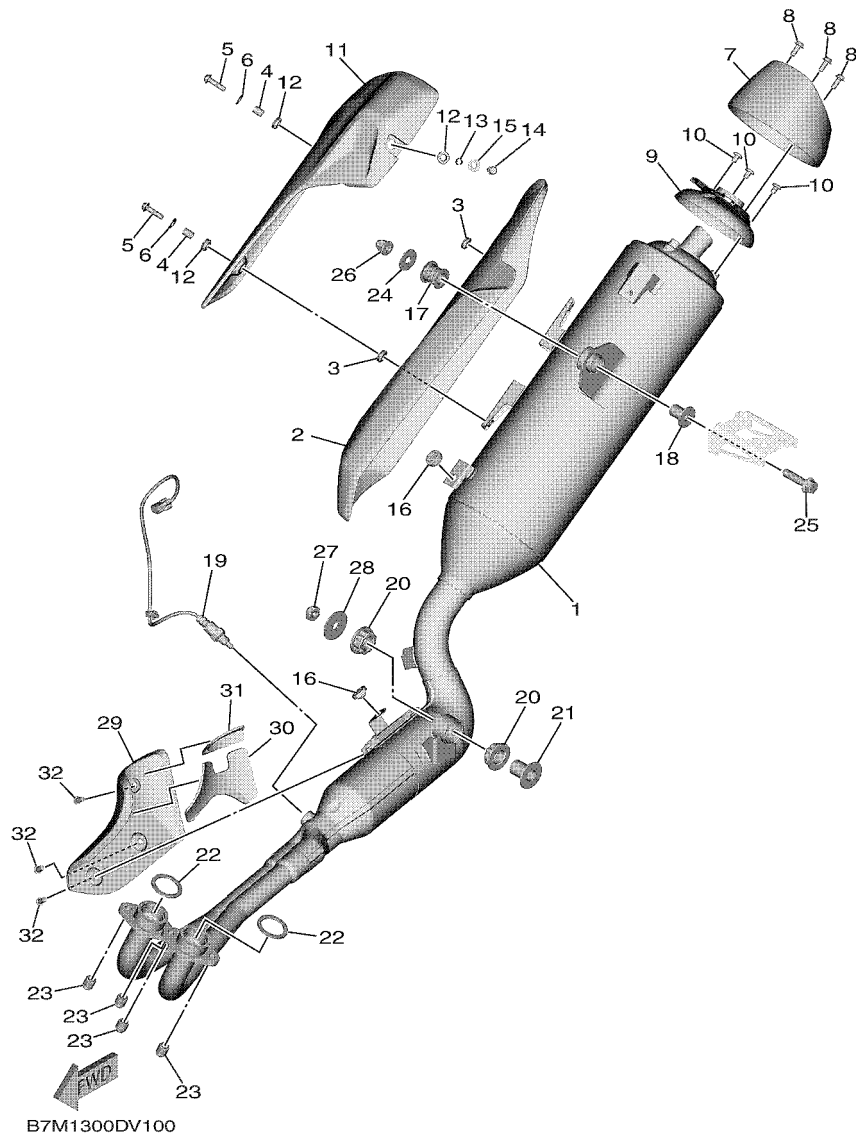


FIG. 10 EXHAUST

REF. NO.	PART NO.	DESCRIPTION	B7M7	B7M8	REMARKS
1	B7M-14703-00	MUFFLER COMP. 1	1	1	
2	B7M-1465T-00	PLATE, PROTECTOR 2	1	1	
3	90480-12581	GROMMET	2	2	
4	90387-06317	COLLAR	2	2	
5	90111-06066	BOLT,HEX. SOCKET BUTTON	2	2	
6	90201-062G3	WASHER, PLATE	2	2	
7	B7M-14799-00	CAP	1	1	
8	90111-06015	BOLT,HEX. SOCKET BUTTON	3	3	
9	BC3-14629-00	STAY, PROTECTOR	1	1	
10	98980-06008	SCREW, BIND	3	3	
11	BC3-14718-00	PROTECTOR, MUFFLER 1	1	1	
12	90480-12581	GROMMET	3	3	
13	90387-06141	COLLAR	1	1	
14	90111-06015	BOLT,HEX. SOCKET BUTTON	1	1	
15	90201-062G3	WASHER, PLATE	1	1	
16	22W-24181-00	DAMPER, LOCATING 1	2	2	
17	36Y-27424-01	DAMPER, FOOTREST 2	1	1	
18	90387-10046	COLLAR	1	1	
19	BC3-8592A-10	SENSOR, OXYGEN	1	1	
20	B7M-27424-00	DAMPER, FOOTREST 2	2	2	
21	B7M-14648-00	COLLAR 2	1	1	
22	4BR-14613-00	GASKET, EXHAUST PIPE	2	2	
23	90179-08442	NUT	4	4	
24	90201-10669	WASHER, PLATE	1	1	
25	95D32-10040	BOLT, FLANGE DEEP RECESS	1	1	
26	90176-10075	NUT, CROWN	1	1	
27	90185-10022	NUT, SELF-LOCKING	1	1	

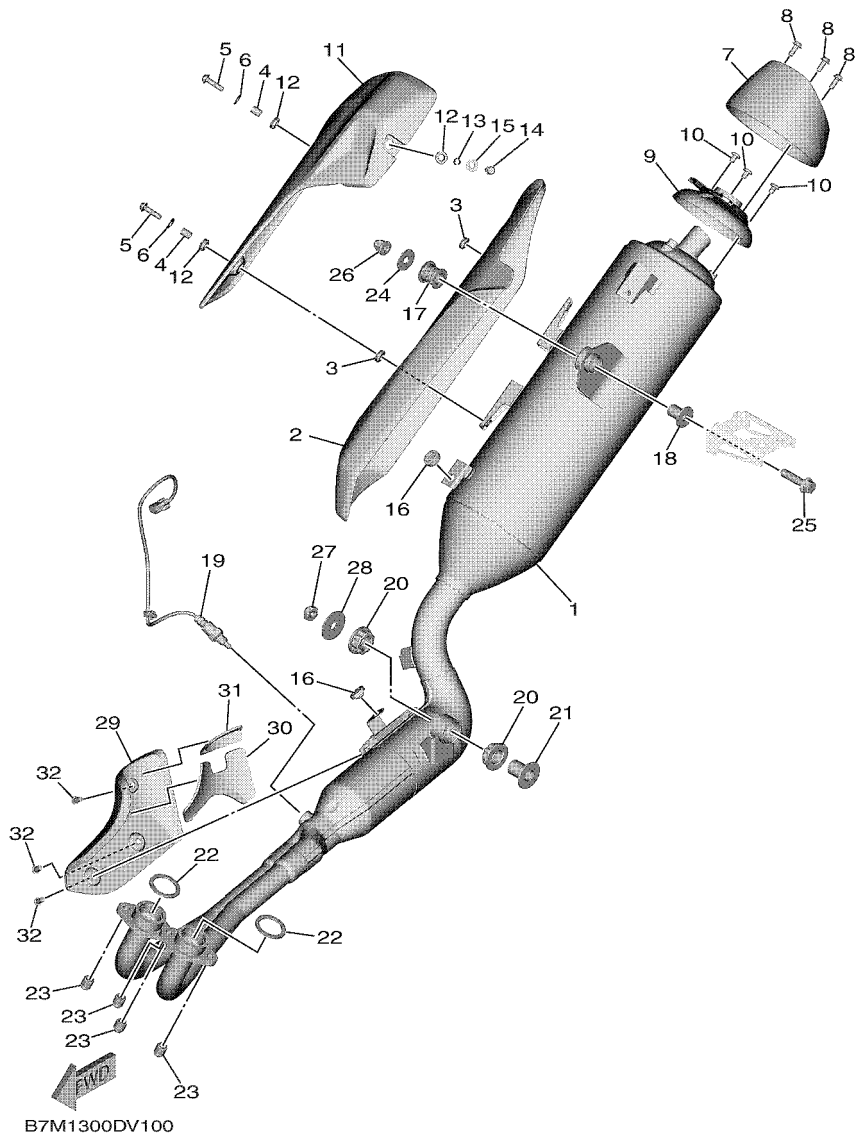
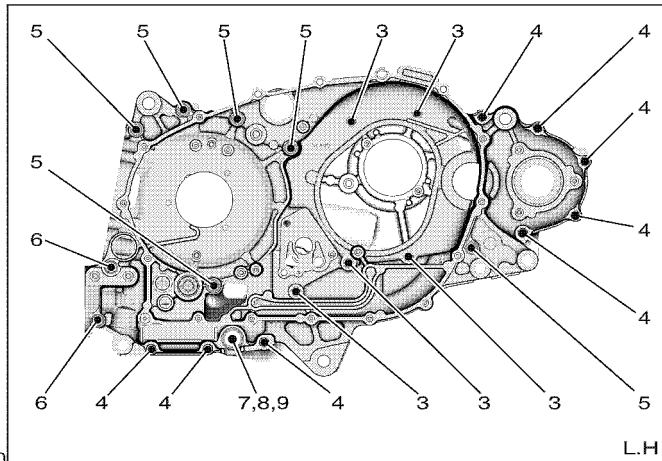
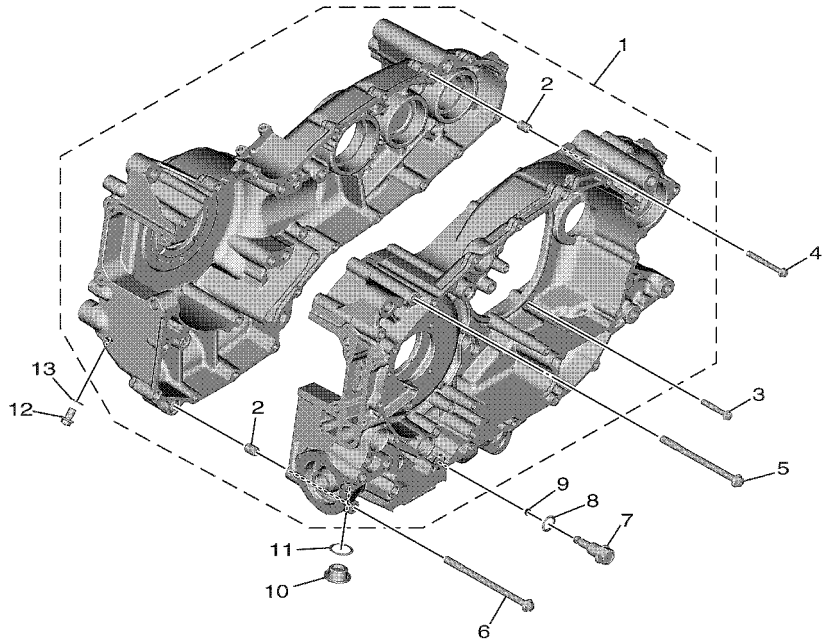


FIG. 10 EXHAUST

REF. NO.	PART NO.	DESCRIPTION			REMARKS
			B7M7	B7M8	
28	90201-10071	WASHER, PLATE	1	1	
29	BC3-14738-00	PROTECTOR, MUFFLER 3	1	1	
30	B7M-1475P-00	SEAT	1	1	
31	B7M-1476P-00	SEAT	1	1	
32	90111-06183	BOLT,HEX. SOCKET BUTTON	3	3	

FIG. 11 CRANKCASE



BC31300DS110

REF. NO.	PART NO.	DESCRIPTION			REMARKS
			B7M7	B7M8	
1	B7M-15100-09	CRANKCASE ASSY	1	1	
2	99530-10114	.PIN, DOWEL	2	2	
3	95E32-06035	BOLT, FLANGE DEEP RECESS	5	5	
4	95E32-06050	BOLT, FLANGE DEEP RECESS	8	8	
5	95022-08110	BOLT, FLANGE	6	6	
6	95022-08120	BOLT, FLANGE	2	2	
7	15B-15481-00	BOLT 1	1	1	
8	214-11198-01	GASKET	1	1	
9	93210-48364	O-RING	1	1	
10	4H7-15189-00	PLUG	1	1	
11	93210-22382	O-RING	1	1	
12	95E32-08012	BOLT, FLANGE DEEP RECESS	1	1	
13	90430-08119	GASKET	1	1	

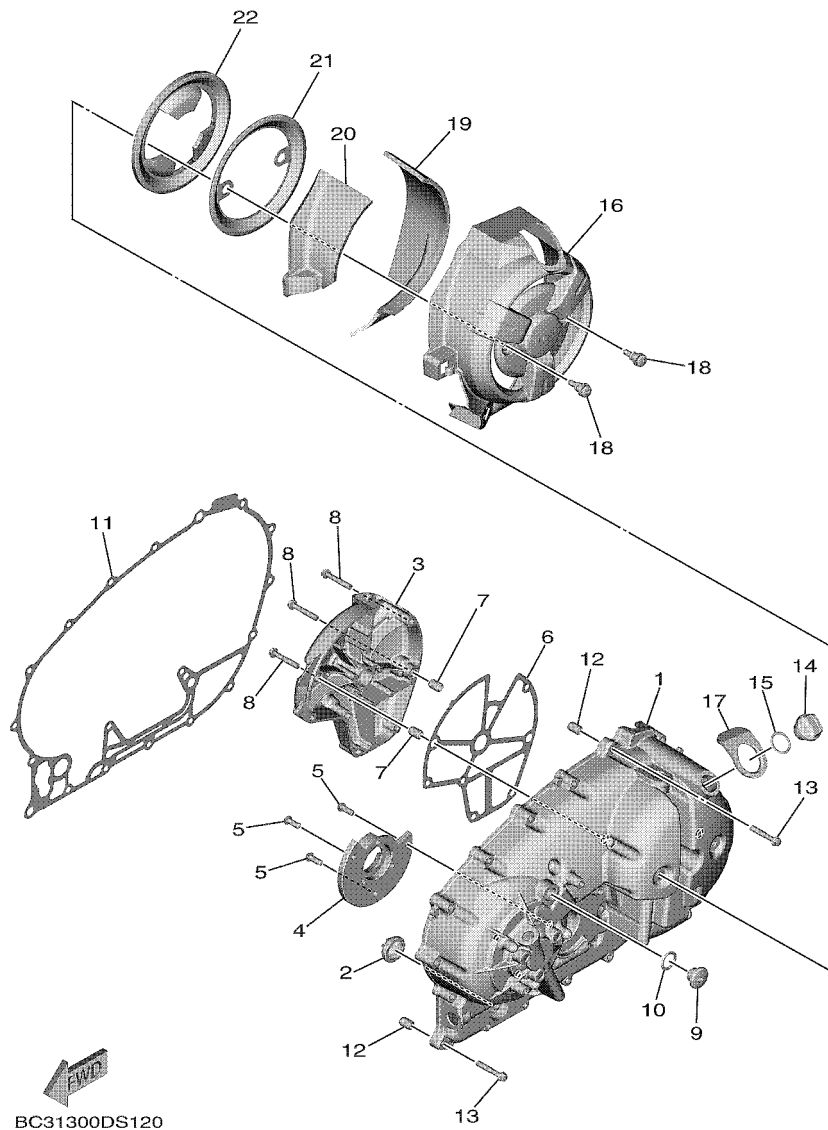
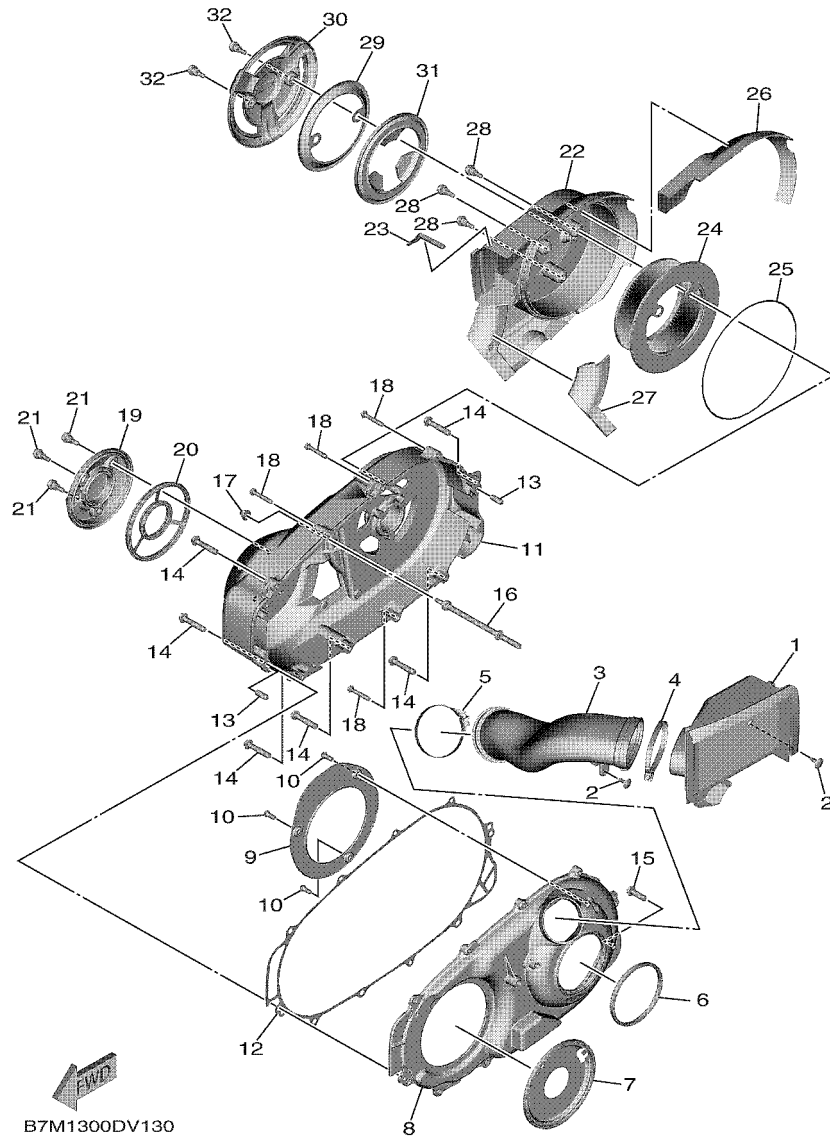


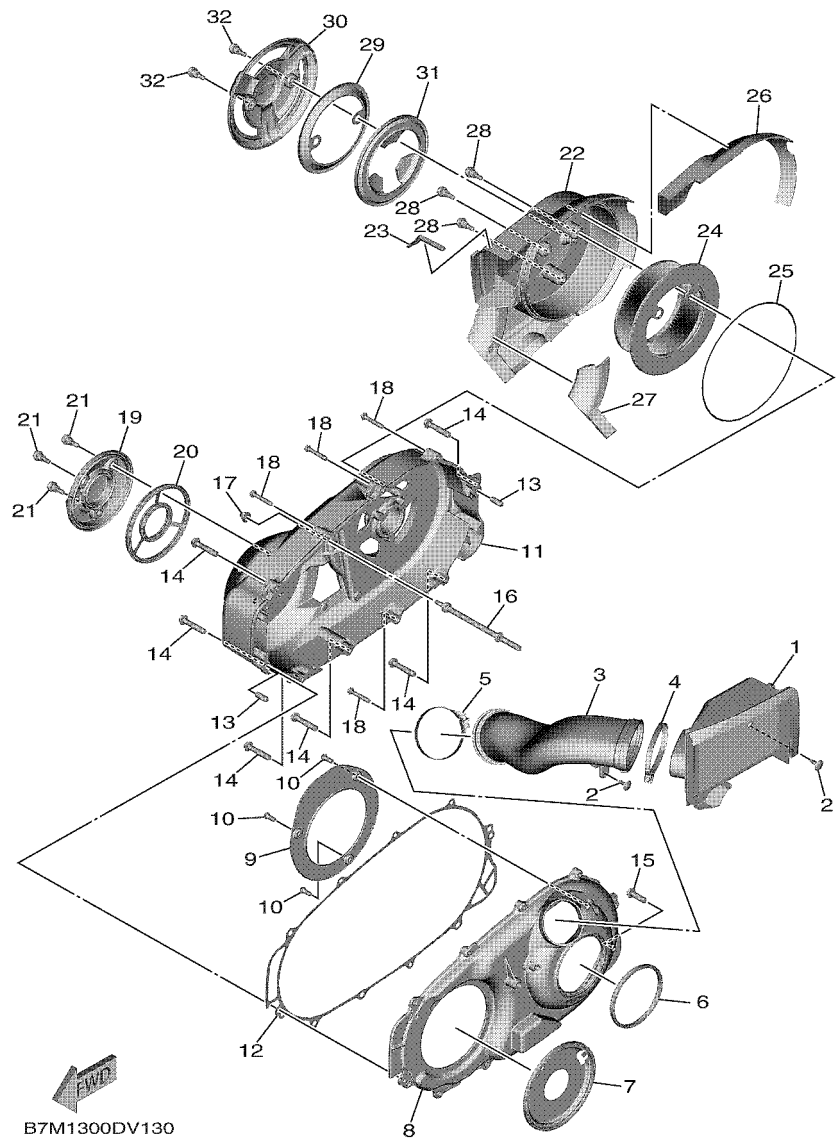
FIG. 12 CRANKCASE COVER 1

REF. NO.	PART NO.	DESCRIPTION	B7M7	B7M8	REMARKS
1	59C-15411-10	COVER, CRANKCASE 1	1	1	
2	2H7-15361-00	GAUGE, LEVEL	1	1	
3	59C-15414-00	COVER 1	1	1	
4	5GJ-15417-00	COVER, CAP	1	1	
5	90149-06082	SCREW	3	3	
6	5GJ-15453-01	GASKET	1	1	
7	99530-10114	PIN, DOWEL	2	2	
8	95E32-06035	BOLT, FLANGE DEEP RECESS	7	7	
9	36Y-15189-00	PLUG	1	1	
10	93210-16325	O-RING	1	1	
11	B7M-15451-00	GASKET, CRANKCASE COVER 1	1	1	
12	99530-10114	PIN, DOWEL	2	2	
13	95E32-06035	BOLT, FLANGE DEEP RECESS	19	19	
14	5GJ-15363-10	PLUG, OIL	1	1	
15	93210-19123	O-RING	1	1	
16	BC3-15415-00	COVER, 1	1	1	
17	5GJ-15486-00	GROMMET	1	1	
18	2PW-15481-01	BOLT 1	2	2	
19	BC3-15316-00	DAMPER 1	1	1	
20	BC3-15335-00	DAMPER 3	1	1	
21	BC3-15499-00	PROTECTOR, COVER	1	1	
22	BC3-15789-00	DAMPER	1	1	

FIG. 13 CRANKCASE COVER 2



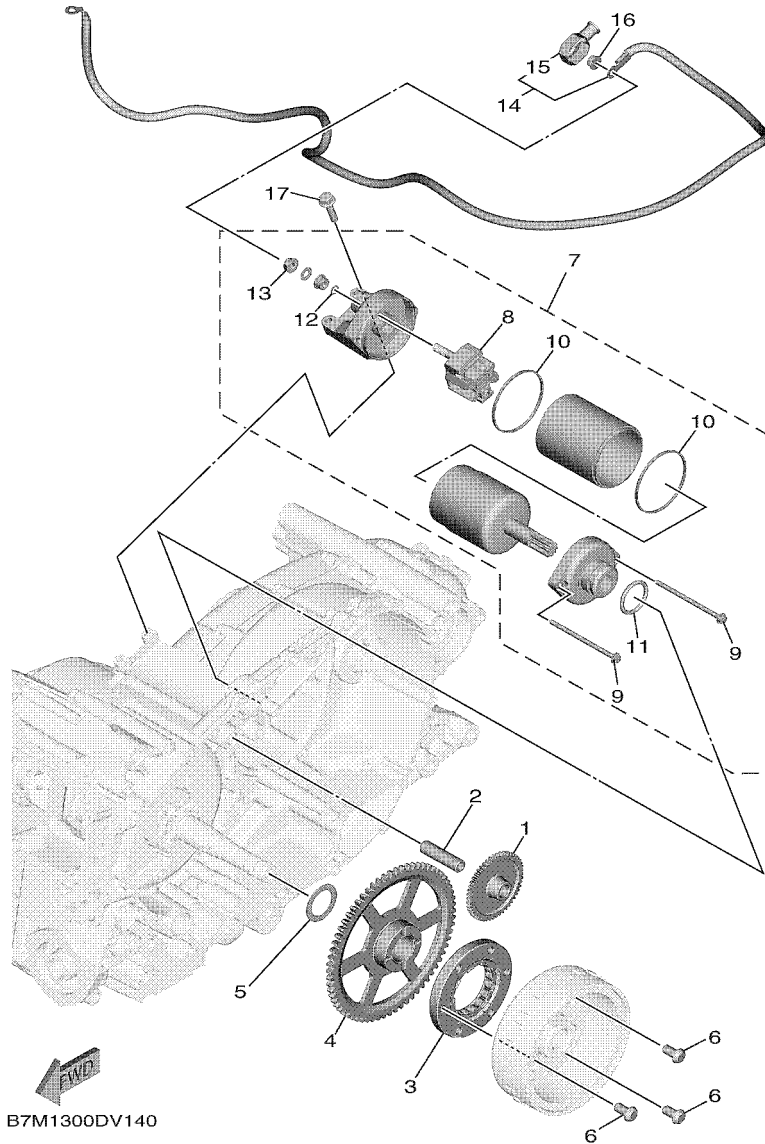
REF. NO.	PART NO.	DESCRIPTION	B7M7	B7M8	REMARKS
1	B7M-15407-00	ELEMENT 1	1	1	
2	90269-05009	RIVET	2	2	
3	BC3-15473-00	DUCT, AIR	1	1	
4	90450-01002	HOSE CLAMP ASSY	1	1	
5	90450-74001	HOSE CLAMP ASSY	1	1	
6	5GJ-15474-00	SEAL, AIR DUCT	1	1	
7	15B-15191-00	PLATE	1	1	
8	59C-15431-00	COVER, CRANKCASE 3	1	1	
9	5GJ-15113-00	PLATE	1	1	
10	92012-06014	BOLT, BUTTON HEAD	3	3	
11	59C-15421-10	COVER, CRANKCASE 2	1	1	
12	59C-15461-00	GASKET, CRANKCASE COVER 2	1	1	
13	99480-08020	PIN	2	2	
14	95E32-08040	BOLT, FLANGE DEEP RECESS	6	6	
15	95E32-08025	BOLT, FLANGE DEEP RECESS	1	1	
16	59C-15768-00	BOLT	1	1	
17	90176-06017	NUT, CROWN	1	1	
18	95E32-06035	BOLT, FLANGE DEEP RECESS	4	4	
19	4B5-15492-00	COVER	1	1	
20	5GJ-1542A-00	DAMPER 1	1	1	
21	2PW-15481-01	BOLT 1	3	3	
22	BC3-15423-00	COVER 2	1	1	
23	90520-04016	DAMPER, PLATE	1	1	
24	59C-15408-00	ELEMENT 2	1	1	
25	48U-14452-00	SEAL	1	1	
26	59C-15326-10	DAMPER 2	1	1	
27	BC3-1542B-00	DAMPER 2	1	1	



B7M1300DV130

FIG. 13 CRANKCASE COVER 2

REF. NO.	PART NO.	DESCRIPTION	B7M7	B7M8	REMARKS		
28	2PW-15481-01	BOLT 1	3	3			
29	BC3-15499-00	PROTECTOR, COVER	1	1			
30	BC3-1543A-00	COVER, ELEMENT	1	1			
31	BC3-15789-00	DAMPER	1	1			
32	2PW-15481-01	BOLT 1	2	2			



B7M1300DV140

FIG. 14 STARTER

REF. NO.	PART NO.	DESCRIPTION			REMARKS
			B7M7	B7M8	
1	B7M-15512-00	GEAR, IDLER 1	1	1	
2	36Y-15521-01	SHAFT 1	1	1	
3	1WS-15590-00	STARTER ONE-WAY ASSY	1	1	
4	B7M-15517-00	GEAR, IDLER 2	1	1	
5	90201-25290	WASHER, PLATE	1	1	
6	90149-08030	SCREW	3	3	
7	BC3-81890-00	MOTOR ASSY	1	1	
8	4B5-81840-00	.BRUSH HOLDER ASSY	1	1	
9	4B5-81826-00	.BOLT	2	2	
10	4B5-81844-00	.GASKET	2	2	
11	1FK-81847-00	.O-RING	1	1	
12	3TB-81847-00	.O-RING	1	1	
13	4XV-8182A-00	.NUT	1	1	
14	BC3-81815-00	CORD, STARTER MOTOR	1	1	
15	4B5-81871-00	.CAP	1	1	
16	4XV-8182A-00	NUT	1	1	
17	95D32-06025	BOLT, FLANGE DEEP RECESS	2	2	

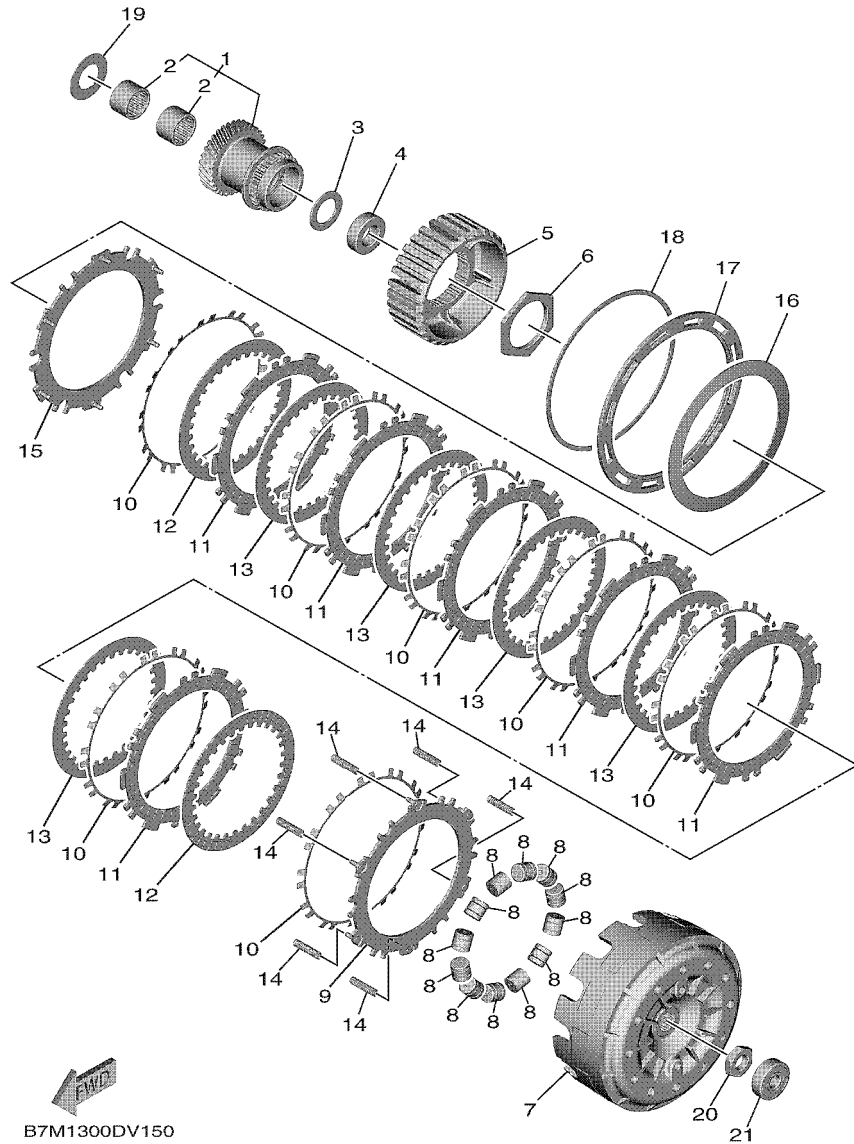
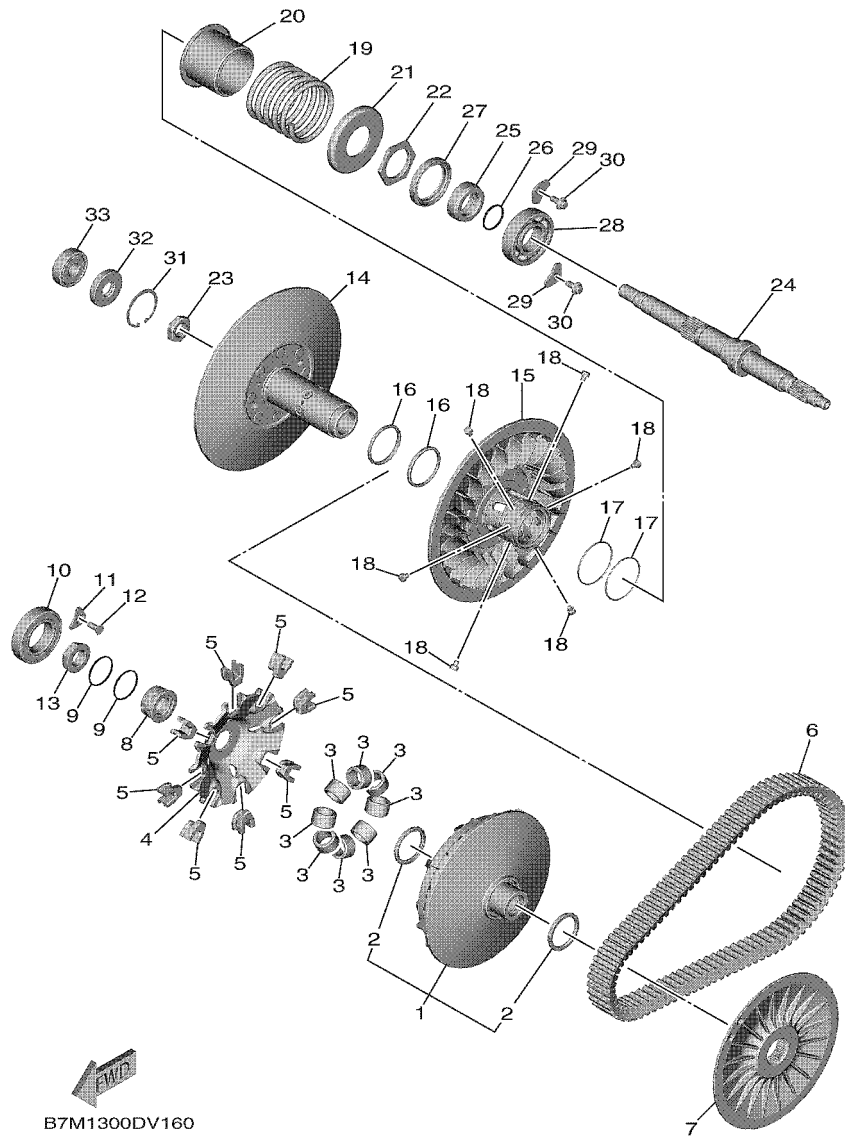


FIG. 15 CLUTCH

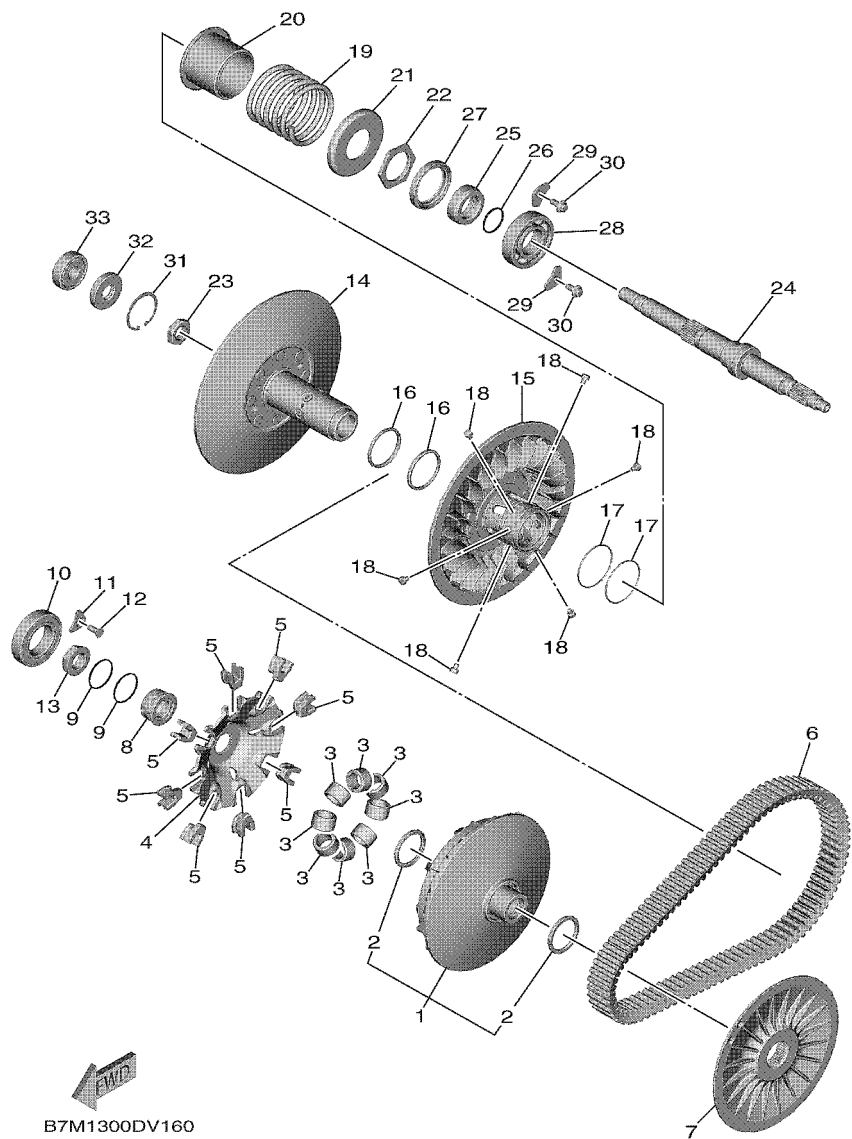
REF. NO.	PART NO.	DESCRIPTION			REMARKS
			B7M7	B7M8	
1	B7M-16110-00	PRIMARY DRIVE GEAR ASSY	1	1	
2	93317-32493	.BEARING	2	2	
3	90201-244A9	WASHER, PLATE (2.05T)	1	1	
4	90387-20018	COLLAR	1	1	
5	B7M-16371-00	BOSS, CLUTCH	1	1	
6	90170-48003	NUT	1	1	
7	B7M-16511-00	HOUSING, CLUTCH	1	1	
8	5GJ-16540-00	ROLLER WEIGHT ASSY	12	12	
9	5GJ-16520-00	PLATE, THRUST WEIGHT	1	1	
10	5GJ-16533-00	SPRING, CLUTCH	7	7	
11	B7M-16321-00	PLATE, FRICTION	6	6	
12	B7M-16325-00	PLATE, CLUTCH 2	2	2	
13	B7M-16324-00	PLATE, CLUTCH 1	5	5	
14	90501-110A0	SPRING, COMPRESSION	6	6	
15	5GJ-16550-00	PRESSURE PLATE ASSY	1	1	
16	5GJ-16334-00	SPRING, CLUTCH 2	1	1	
17	5GJ-16537-00	PLATE, SPRING STOPPER	1	1	UR (HOLE 0)
	5GJ-16537-10	PLATE, SPRING STOPPER	1	1	UR (HOLE 1)
	5GJ-16537-20	PLATE, SPRING STOPPER	1	1	UR (HOLE 2)
	5GJ-16537-30	PLATE, SPRING STOPPER	1	1	UR (HOLE 3)
18	5GJ-16529-00	CLIP	1	1	
19	90201-24017	WASHER, PLATE	1	1	
20	90170-16326	NUT	1	1	
21	93306-30102	BEARING	1	1	

FIG. 16 CLUTCH 2

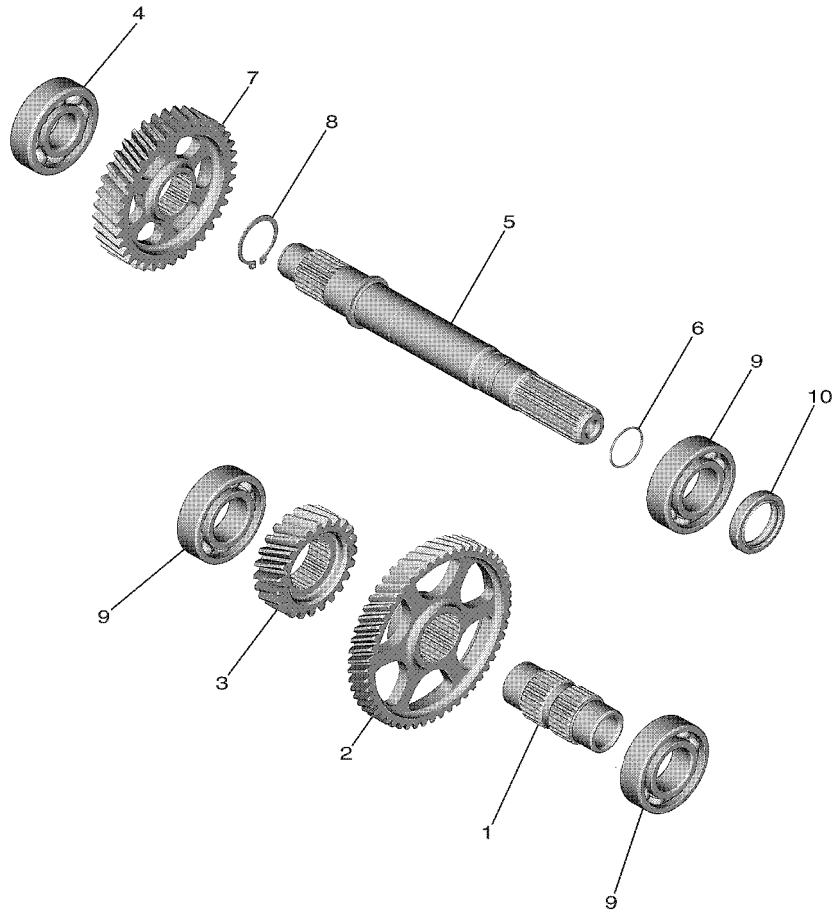


REF. NO.	PART NO.	DESCRIPTION			REMARKS
			B7M7	B7M8	
1	B7M-17601-09	PRIMARY SHEAVE ASSY	1	1	
2	93101-35001	.OIL SEAL	2	2	
3	5VU-17632-10	WEIGHT	8	8	
4	BC3-17623-00	CAM	1	1	
5	59C-17653-01	SLIDER	8	8	
6	B7M-17641-00	V-BELT	1	1	
7	59C-17611-00	SHEAVE, PRIMARY FIXED	1	1	
8	59C-17649-01	SPACER	1	1	
9	93210-30611	O-RING	2	2	
10	93306-00713	BEARING	1	1	
11	4XM-15383-00	PLATE, BEARING COVER	1	1	
12	90151-06024	SCREW, COUNTERSUNK	1	1	
13	90179-20013	NUT	1	1	
14	59C-17660-00	SECONDARY FIXED SHEAVE COMP.	1	1	
15	59C-17670-00	SECONDARY SLIDING SHEAVE	1	1	
16	93104-41119	OIL SEAL	2	2	
17	93210-44545	O-RING	2	2	
18	4CW-17664-00	PIN, GUIDE	6	6	
19	90501-620A1	SPRING, COMPRESSION	1	1	
20	5GJ-17690-00	SPRING SEAT COMP.	1	1	
21	4WV-17644-00	SEAT,SPRING	1	1	
22	90170-36279	NUT	1	1	
23	90170-18221	NUT	1	1	
24	B7M-17681-00	SHAFT, SECONDARY	1	1	
25	90387-26001	COLLAR	1	1	
26	93210-26001	O-RING	1	1	
27	93102-42004	OIL SEAL	1	1	

FIG. 16 CLUTCH 2



REF. NO.	PART NO.	DESCRIPTION	B7M7	B7M8	REMARKS
28	93306-20651	BEARING	1	1	
29	5GJ-15383-00	PLATE, BEARING COVER	2	2	
30	90110-06036	BOLT, HEXAGON SOCKET HEAD	2	2	
31	99009-42500	CIRCLIP	1	1	
32	93102-15004	OIL SEAL	1	1	
33	93306-30217	BEARING	1	1	




 B7M1300DV170

FIG. 17 TRANSMISSION

REF. NO.	PART NO.	DESCRIPTION	B7M7	B7M8	REMARKS
1	59C-17411-10	AXLE, MAIN	1	1	
2	59C-16151-00	GEAR, PRIMARY DRIVEN (52T)	1	1	
3	B7M-17111-00	GEAR, 1ST PINION	1	1	
4	93306-30427	BEARING	1	1	
5	B7M-17421-00	AXLE, DRIVE	1	1	
6	93210-21006	O-RING	1	1	
7	B7M-17211-00	GEAR, 1ST WHEEL (36T)	1	1	
8	99009-25400	CIRCLIP	1	1	
9	93306-205A8	BEARING	3	3	
10	93102-25064	OIL SEAL	1	1	

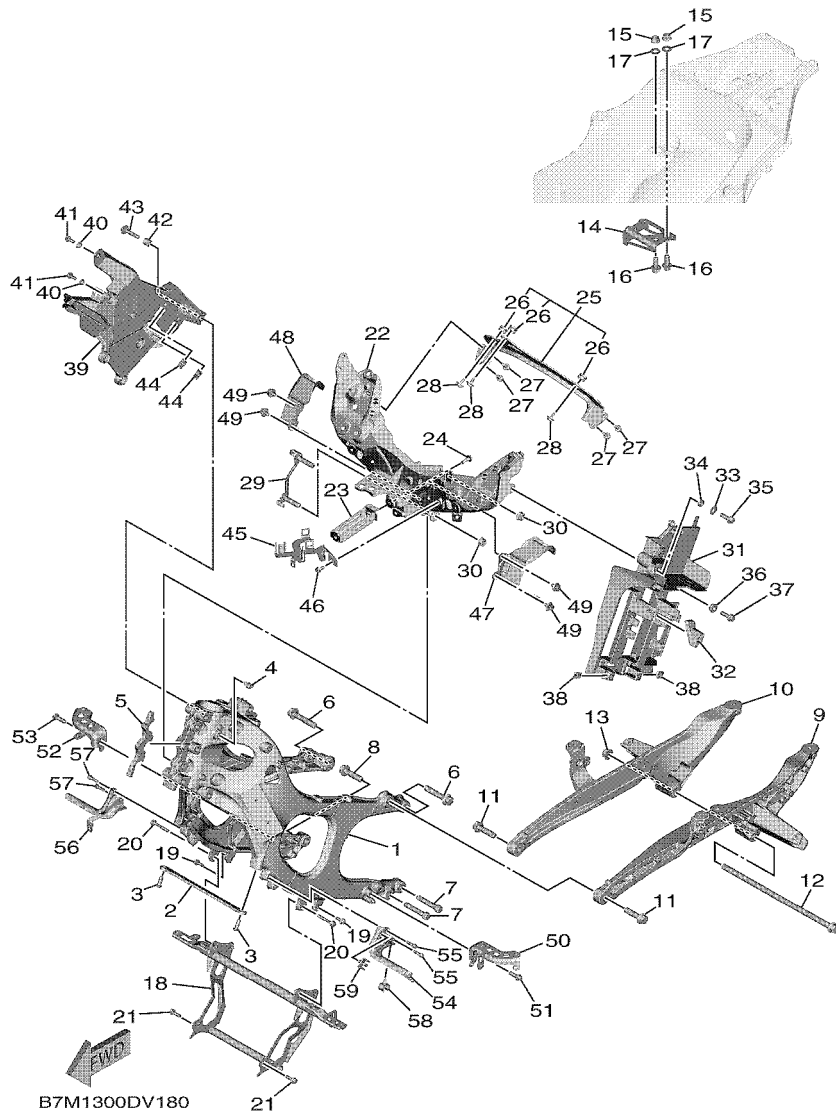


FIG. 18 FRAME

REF. NO.	PART NO.	DESCRIPTION			REMARKS
			B7M7	B7M8	
1	B7M-21110-00	FRAME COMP.	1	1	
2	BC3-21236-00	REINFORCEMENT	1	1	
3	90149-08055	SCREW	2	2	
4	5VX-21279-10	PLUG, BLIND	1	1	
5	BC3-2113B-00	DAMPER	1	1	
6	BC3-21481-00	BOLT, ENGINE MOUNTING 1	2	2	
7	90110-10046	BOLT, HEXAGON SOCKET HEAD	2	2	
8	90105-12109	BOLT, FLANGE	1	1	
9	BC3-21195-00	SEAT, RAIL 1	1	1	
10	BC3-21185-00	SEAT, RAIL 2	1	1	
11	90105-12109	BOLT, FLANGE	2	2	
12	90105-12052	BOLT, FLANGE	1	1	
13	95602-12200	NUT, SELF-LOCKING	1	1	
14	BC3-21445-00	STAY, MUFFLER 1	1	1	
15	95602-10200	NUT, S/L FLANGE	2	2	
16	95D37-10025	BOLT, FLANGE DEEP RECESS	2	2	
17	90201-10078	WASHER, PLATE	2	2	
18	BC3-2142K-00	BRACKET, RADIATOR	1		
	BV1-2142K-00	BRACKET, RADIATOR		1	
19	95812-06016	BOLT, FLANGE	2	2	
20	95812-06040	BOLT, FLANGE	2	2	
21	95D32-06020	BOLT, FLANGE DEEP RECESS	2	2	
22	BC3-28356-00	STAY 1	1	1	
23	BC3-84118-00	STAY, HEADLIGHT 1	1	1	
24	90110-06173	BOLT, HEXAGON SOCKET HEAD	1	1	
25	BC3-28320-00	LEG SHIELD STAY SET	1	1	
26	4XV-83513-00	.DAMPER	3	3	

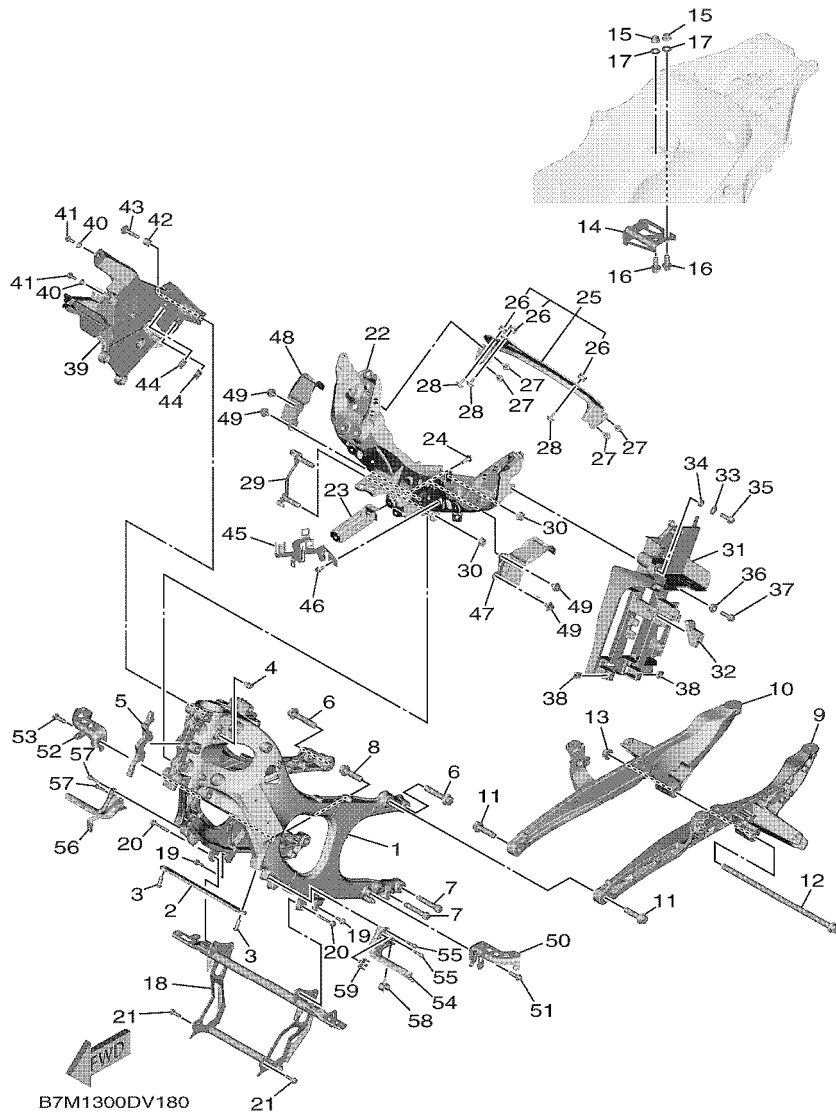


FIG. 18 FRAME

REF. NO.	PART NO.	DESCRIPTION			REMARKS
			B7M7	B7M8	
27	95D32-06012	BOLT, FLANGE DEEP RECESS	4	4	
28	90169-05006	TAPPING SCREW	3	3	
29	BC3-28336-00	PLATE	1	1	
30	95702-10500	NUT, FLANGE	2	2	
31	B7M-8212B-00	BOX, BATTERY 1	1	1	
32	B7M-2139X-00	DAMPER	1	1	
33	90201-087F0	WASHER, PLATE	1	1	
34	90387-085E1	COLLAR	1	1	
35	90105-08073	BOLT, FLANGE	1	1	
36	90387-10114	COLLAR	1	1	
37	90105-08129	BOLT, FLANGE	1	1	
38	90183-06069	NUT, SPRING	2	2	
39	BC3-8212C-00	BOX, BATTERY 2	1	1	
40	90387-06107	COLLAR	2	2	
41	95D02-06016	BOLT, FLANGE DEEP RECESS	2	2	
42	90387-10100	COLLAR	1	1	
43	90119-08112	BOLT, WITH WASHER	1	1	
44	90183-06069	NUT, SPRING	2	2	
45	BC3-2116M-00	BRACKET 10	1	1	
46	90111-06092	BOLT, HEX. SOCKET BUTTON	1	1	
47	BC3-2117F-00	COVER	1	1	
48	BC3-2117M-00	COVER 2	1	1	
49	90269-07076	RIVET	4	4	
50	BC3-2141A-00	BRACKET 1	1		
	BV1-2141A-00	BRACKET 1		1	
51	90105-08M35	BOLT, FLANGE	1	1	
52	BC3-2141E-00	BRACKET 2	1	1	

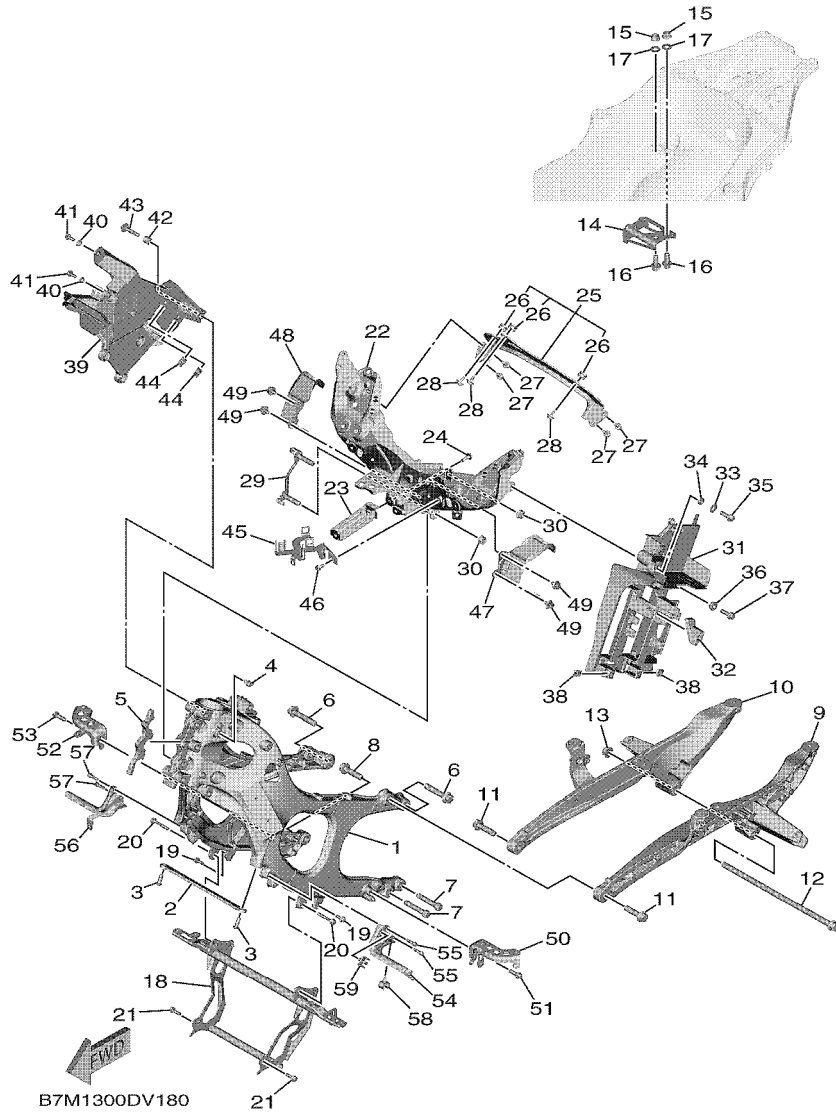
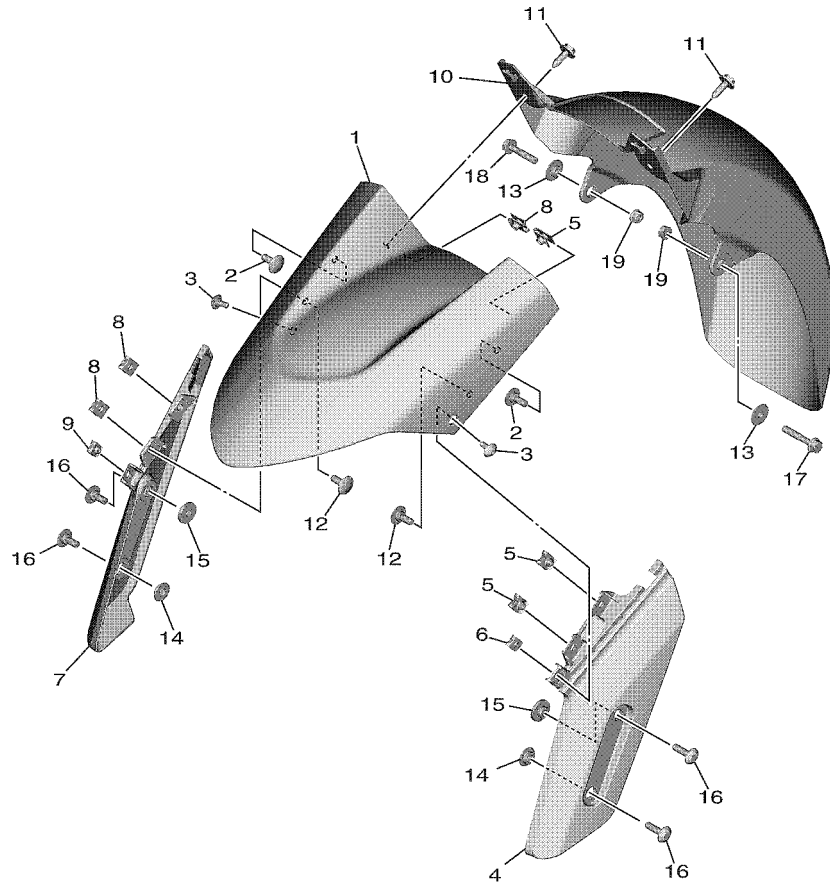


FIG. 18 FRAME

REF. NO.	PART NO.	DESCRIPTION	B7M7	B7M8	REMARKS
53	90105-08M35	BOLT, FLANGE	1	1	
54	BC3-2144H-00	BRACKET, FOOTREST 3	1	1	
55	90105-06127	BOLT, FLANGE	2	2	
56	BC3-2145H-00	BRACKET, FOOTREST 4	1	1	
57	90105-06127	BOLT, FLANGE	2	2	
<hr/>					
58	90464-09130	CLAMP	1	1	
59	90464-08126	CLAMP	1	1	
<hr/>					
<hr/>					
<hr/>					
<hr/>					
<hr/>					
<hr/>					
<hr/>					

FIG. 19 FENDER



BC31300DS190

REF. NO.	PART NO.	DESCRIPTION	B7M7	B7M8	REMARKS
1	2PW-21511-00-PC	FENDER, FRONT	1	1	UR FOR MDNMA
	2PW-21511-00-3E	FENDER, FRONT	1	1	UR FOR PGD
2	90149-06117	SCREW	2	2	
3	90111-05049	BOLT,HEX. SOCKET BUTTON	2	2	
4	2PW-21513-00	STAY, FENDER 1	1	1	
5	90183-060A6	NUT, SPRING	3	3	
6	90183-050A6	NUT, SPRING	1	1	
7	2PW-21514-00	STAY, FENDER 2	1	1	
8	90183-060A6	NUT, SPRING	3	3	
9	90183-050A6	NUT, SPRING	1	1	
10	2PW-21556-00	FENDER, FRONT 2	1	1	
11	90119-06156	BOLT, WITH WASHER	2	2	
12	90149-06117	SCREW	2	2	
13	90387-06153	COLLAR	2	2	
14	90387-08079	COLLAR	2	2	
15	90387-06325	COLLAR	2	2	
16	90111-06140	BOLT,HEX. SOCKET BUTTON	4	4	
17	95D32-06035	BOLT, FLANGE DEEP RECESS	1	1	
18	95D32-06030	BOLT, FLANGE DEEP RECESS	1	1	
19	95702-06500	NUT, FLANGE	2	2	

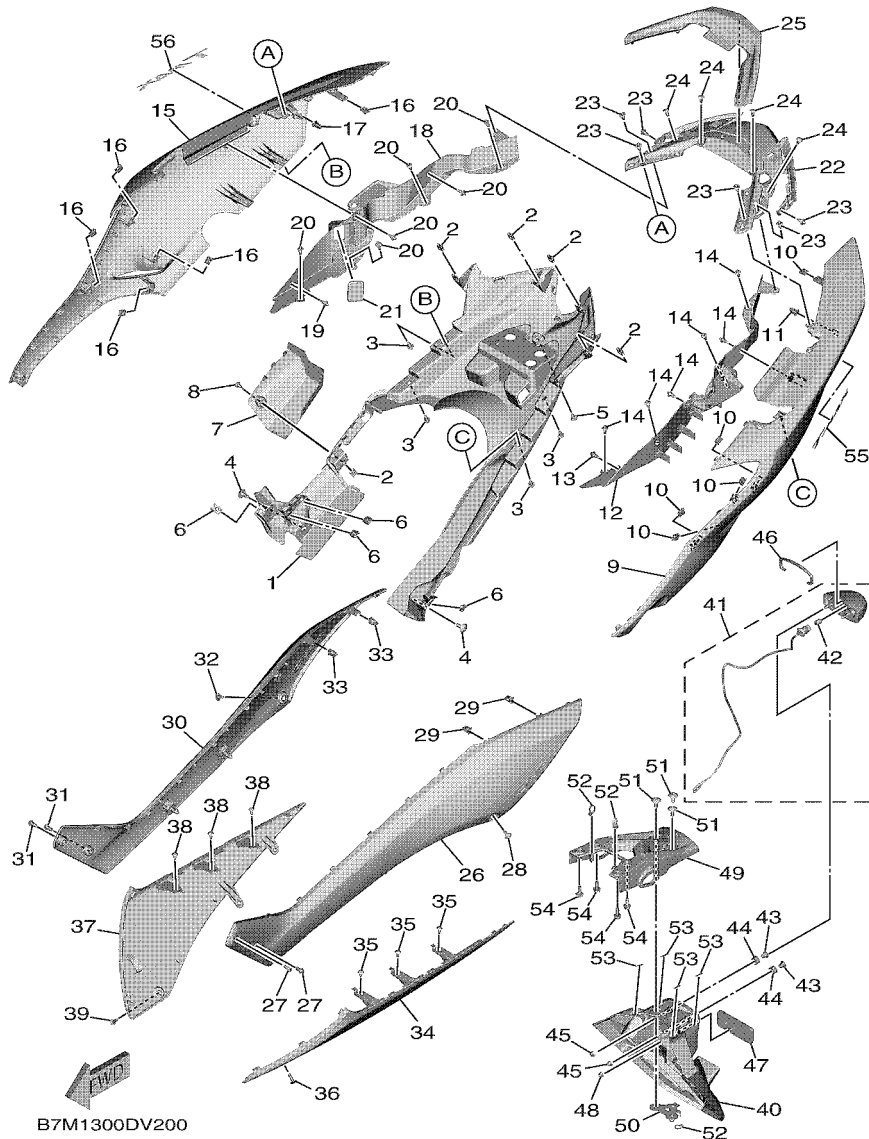


FIG. 20 SIDE COVER

REF. NO.	PART NO.	DESCRIPTION	B7M7	B7M8	REMARKS
1	B7M-2171E-00	COVER, SIDE 5	1	1	
2	90183-05042	NUT, SPRING	5	5	
3	90269-06008	RIVET	4	4	
4	90111-06089	BOLT, HEX. SOCKET BUTTON	2	2	
5	97707-50012	SCREW, TRUSS HEAD TAPPING	1	1	
6	90183-060A6	NUT, SPRING	4	4	
7	BC3-2177B-00	LID, COVER	1	1	
8	90167-05079	SCREW, TAPPING	1	1	
9	B7M-21711-00-P2	COVER, SIDE 1	1	1	UR FOR MDNMA
	B7M-21711-00-3E	COVER, SIDE 1	1	1	UR FOR PGD
10	90183-05042	NUT, SPRING	5	5	
11	90464-07018	CLAMP	1	1	
12	B7M-2172G-00	PANEL 3	1	1	
13	90269-06019	RIVET	1	1	
14	90269-06008	RIVET	6	6	
15	B7M-21721-00-P2	COVER, SIDE 2	1	1	UR FOR MDNMA
	B7M-21721-00-3E	COVER, SIDE 2	1	1	UR FOR PGD
16	90183-05042	NUT, SPRING	5	5	
17	90464-07018	CLAMP	1	1	
18	B7M-2172H-00	PANEL 4	1	1	
19	90269-06019	RIVET	1	1	
20	90269-06008	RIVET	6	6	
21	90338-36004	PLUG	1	1	
22	B7M-2171A-00	COVER, TOP	1	1	
23	90269-06008	RIVET	6	6	
24	97702-50012	SCREW, TAPPING	4	4	
25	B7M-2175N-00	COVER, FLANGE	1	1	

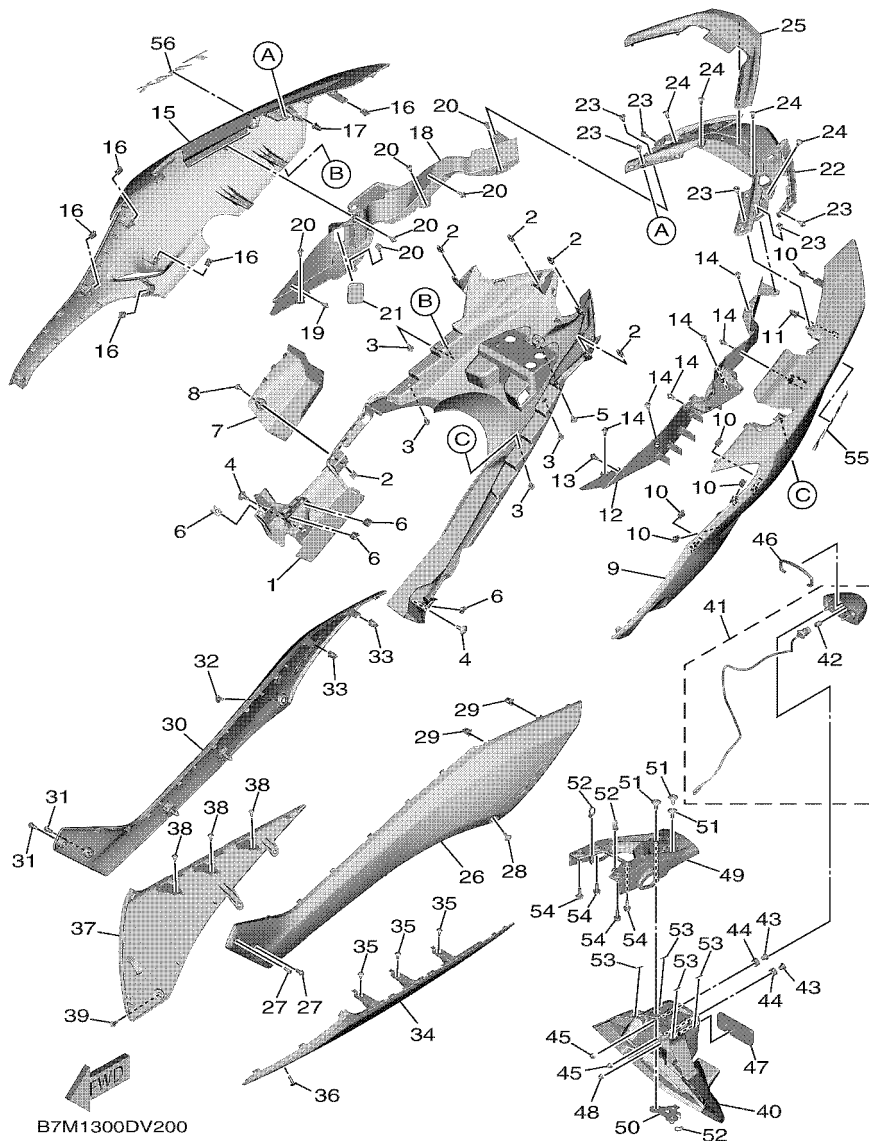


FIG. 20 SIDE COVER

REF. NO.	PART NO.	DESCRIPTION	B7M7	B7M8	REMARKS
26	B7M-21731-00-P0	COVER, SIDE 3	1	1	UR MBL2 FOR MDNMA
	B7M-21731-00-P1	COVER, SIDE 3	1	1	UR SMX FOR PGD
27	92014-06012	BOLT, BUTTON HEAD	2	2	
28	90111-05045	BOLT,HEX. SOCKET BUTTON	1	1	
29	90464-07018	CLAMP	2	2	
30	B7M-21741-00-P0	COVER, SIDE 4	1	1	UR MBL2 FOR MDNMA
	B7M-21741-00-P1	COVER, SIDE 4	1	1	UR SMX FOR PGD
31	92014-06012	BOLT, BUTTON HEAD	2	2	
32	90111-05045	BOLT,HEX. SOCKET BUTTON	1	1	
33	90464-07018	CLAMP	2	2	
34	BC3-2171L-00-P6	MOLE, SIDE COVER 1	1	1	UR FOR MDNMA
	BC3-2171L-00-3E	MOLE, SIDE COVER 1	1	1	UR FOR PGD
35	97702-50012	SCREW, TAPPING	3	3	
36	90167-05076	SCREW, TAPPING	1	1	
37	BC3-2171M-00-P6	MOLE, SIDE COVER 2	1	1	UR FOR MDNMA
	BC3-2171M-00-3E	MOLE, SIDE COVER 2	1	1	UR FOR PGD
38	97702-50012	SCREW, TAPPING	3	3	
39	90167-05076	SCREW, TAPPING	1	1	
40	BC3-21629-00	GUARD, MUD	1	1	
41	BC3-84740-00	LICENCE LIGHT ASSY	1	1	
42	1TP-84347-00	.BULB (12V-5W)	1	1	
43	90387-05042	COLLAR	2	2	
44	90480-11009	GROMMET	2	2	
45	95602-05200	NUT, SELF-LOCKING	2	2	
46	BC3-21773-00	GROMMET	1	1	
47	3Y6-85130-02	REAR REFLECTOR ASSY	1	1	
48	95607-05200	NUT, S/L FLANGE	1	1	

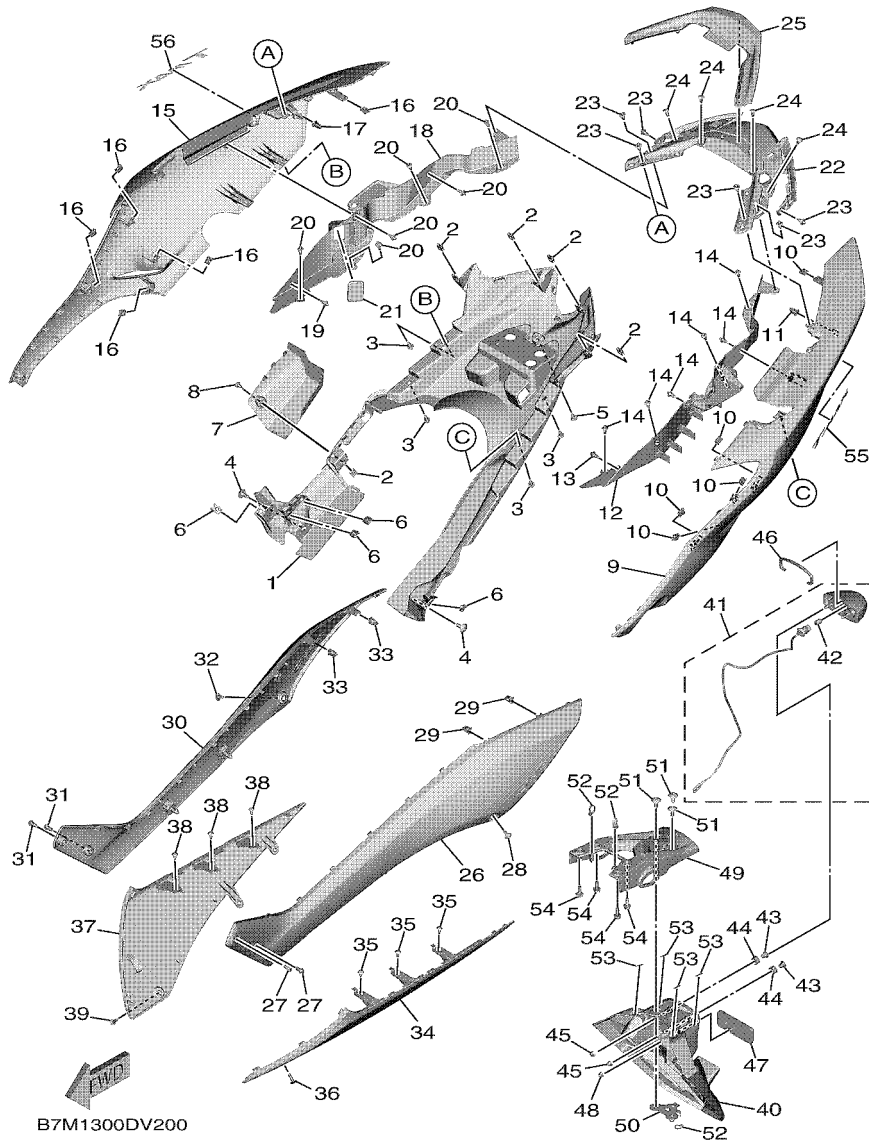
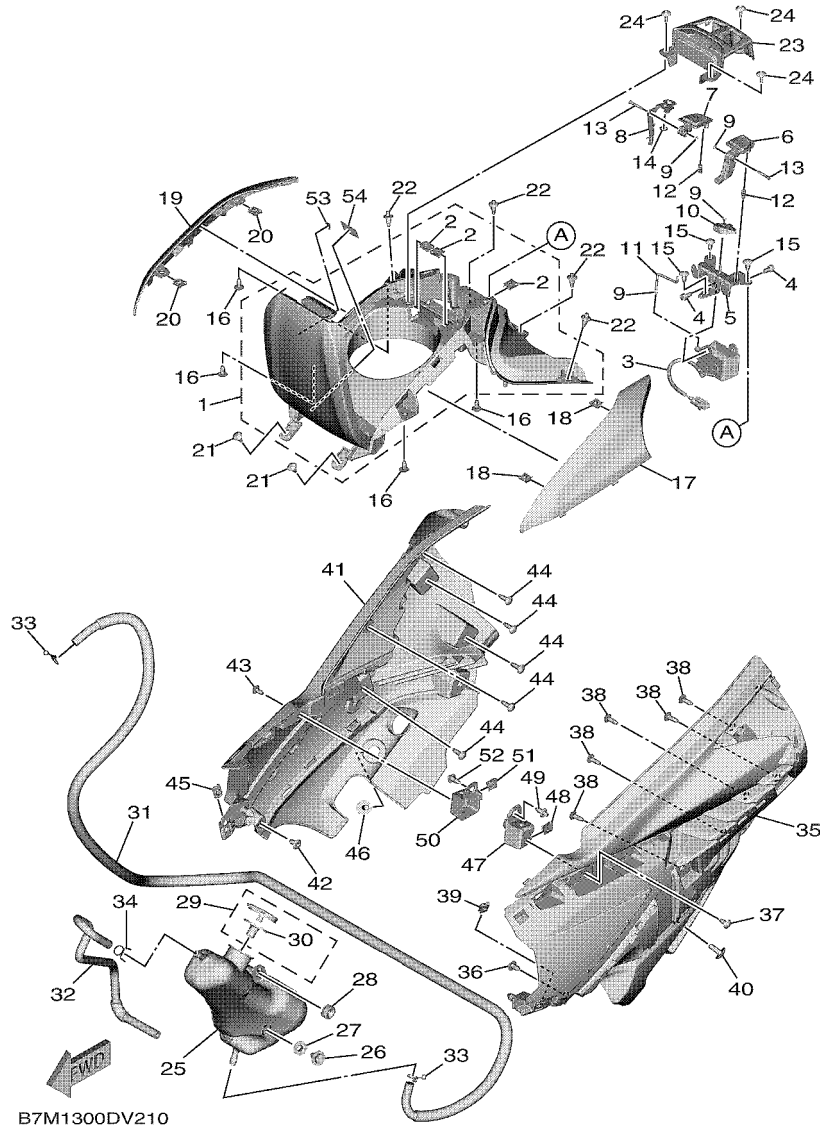


FIG. 20 SIDE COVER

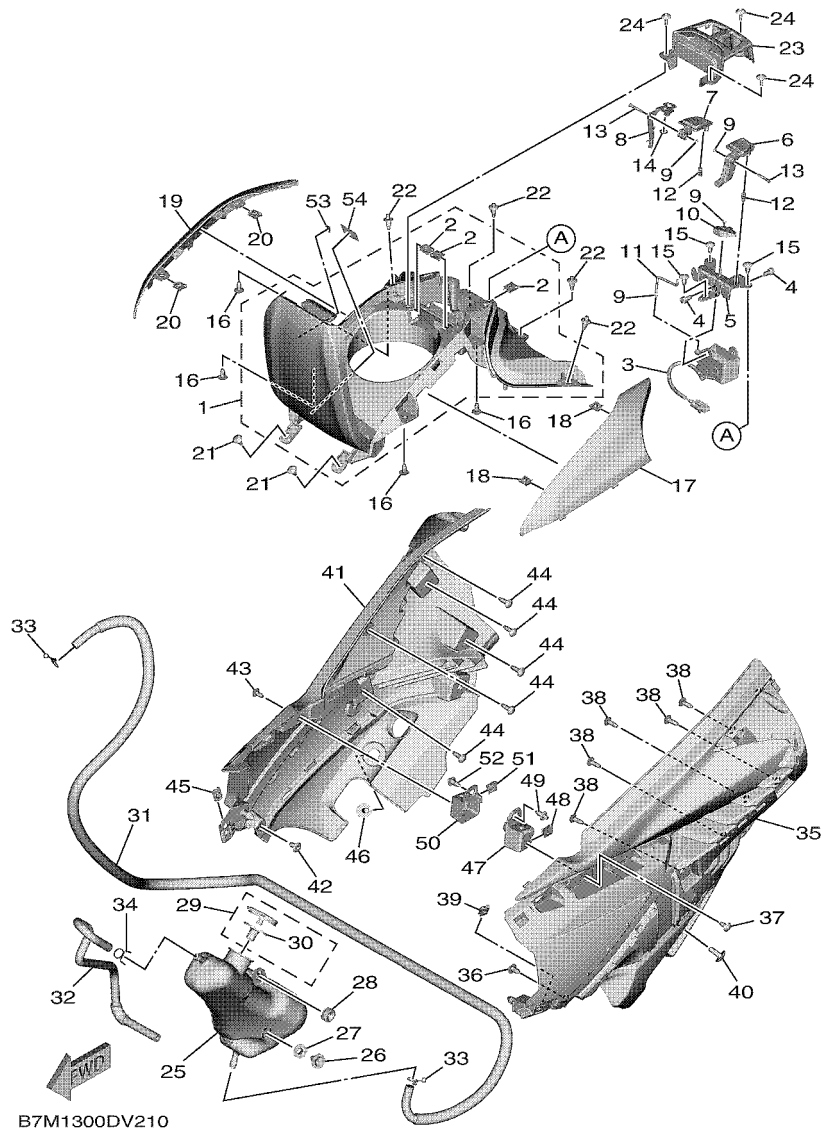
REF. NO.	PART NO.	DESCRIPTION	B7M7	B7M8	REMARKS
49	BC3-21671-00	REINF., REAR FENDER	1	1	
50	BC3-2161G-00	BRACKET 6	1	1	
51	90111-06089	BOLT, HEX. SOCKET BUTTON	3	3	
52	90465-10098	CLAMP	3	3	
53	BC3-21669-00	SEAL	4	4	
54	95D32-06016	BOLT, FLANGE DEEP RECESS	4	4	
55	5GJ-2173B-61	EMBLEM 3D	1	1	UR FOR MDNMA
	5GJ-2173B-30	EMBLEM 3D	1	1	UR FOR PGD
56	5GJ-2173B-61	EMBLEM 3D	1	1	UR FOR MDNMA
	5GJ-2173B-30	EMBLEM 3D	1	1	UR FOR PGD

FIG. 21 SIDE COVER 2



REF. NO.	PART NO.	DESCRIPTION	B7M7	B7M8	REMARKS
1	BC3-24765-00	LID, DOUBLE SEAT	1	1	
2	90183-05042	.NUT, SPRING	3	3	
3	BC3-86111-00	COIL, SOLENOID	1	1	
4	91312-05010	BOLT, HEXAGON SOCKET HEAD	2	2	
5	B7M-2172K-00	BRACKET 1	1	1	
6	B7M-2477F-00	LEVER, SEAT	1	1	
7	B7M-24776-00	LEVER, SEAT	1	1	
8	B7M-2172N-00	BRACKET 4	1	1	
9	93430-02001	CIRCLIP	4	4	
10	BC3-2178J-00	LOCK	1	1	
11	BC3-2178V-00	SHAFT, LOCK	1	1	
12	90501-05512	SPRING, COMPRESSION	2	2	
13	B7M-24624-00	PIN 2	2	2	
14	90183-05M02	NUT, SPRING	1	1	
15	90160-05015	SCREW, ROUND TAPPING	3	3	
16	97702-50012	SCREW, TAPPING	4	4	
17	BC3-24129-A0	COVER, SIDE 1	1	1	
18	90183-05042	NUT, SPRING	2	2	
19	BC3-24139-A0	COVER, SIDE 2	1	1	
20	90183-05042	NUT, SPRING	2	2	
21	97702-50012	SCREW, TAPPING	2	2	
22	90269-06008	RIVET	4	4	
23	BC3-24796-00	COVER	1	1	
24	90167-05079	SCREW, TAPPING	3	3	
25	BC3-21871-00	TANK, RECOVERY	1	1	
26	90119-06230	BOLT, WITH WASHER	1	1	
27	90387-06681	COLLAR	1	1	

FIG. 21 SIDE COVER 2



REF. NO.	PART NO.	DESCRIPTION	B7M7	B7M8	REMARKS
28	90480-10334	GROMMET	1	1	
29	1AA-21815-00	CAP	1	1	
30	1AA-21874-00	.GASKET	1	1	
31	B7M-21816-00	PIPE 1	1	1	
32	BC3-21817-00	PIPE 2	1	1	
33	90467-090A2	CLIP	2	2	
34	90467-10008	CLIP	1	1	
35	B7M-2171N-00	MOLE, SIDE COVER 3	1	1	
36	90269-06019	RIVET	1	1	
37	97702-50012	SCREW, TAPPING	1	1	
38	97702-50016	SCREW, TAPPING	5	5	
39	90183-05076	NUT, SPRING	1	1	
40	90110-06200	BOLT, HEXAGON SOCKET HEAD	1	1	
41	B7M-2171R-00	MOLE, SIDE COVER 4	1	1	
42	90269-06019	RIVET	1	1	
43	97702-50012	SCREW, TAPPING	1	1	
44	97702-50016	SCREW, TAPPING	5	5	
45	90183-05076	NUT, SPRING	1	1	
46	90110-06200	BOLT, HEXAGON SOCKET HEAD	1	1	
47	B7M-2175T-00	BRACKET 1	1	1	
48	90183-05042	NUT, SPRING	1	1	
49	90269-06008	RIVET	1	1	
50	B7M-2175U-00	BRACKET 2	1	1	
51	90183-05042	NUT, SPRING	1	1	
52	90269-06008	RIVET	1	1	
53	B88-2817K-20	LABEL, FUEL	1		
54	5PW-2415E-02	LABEL, CAUTION	1	1	

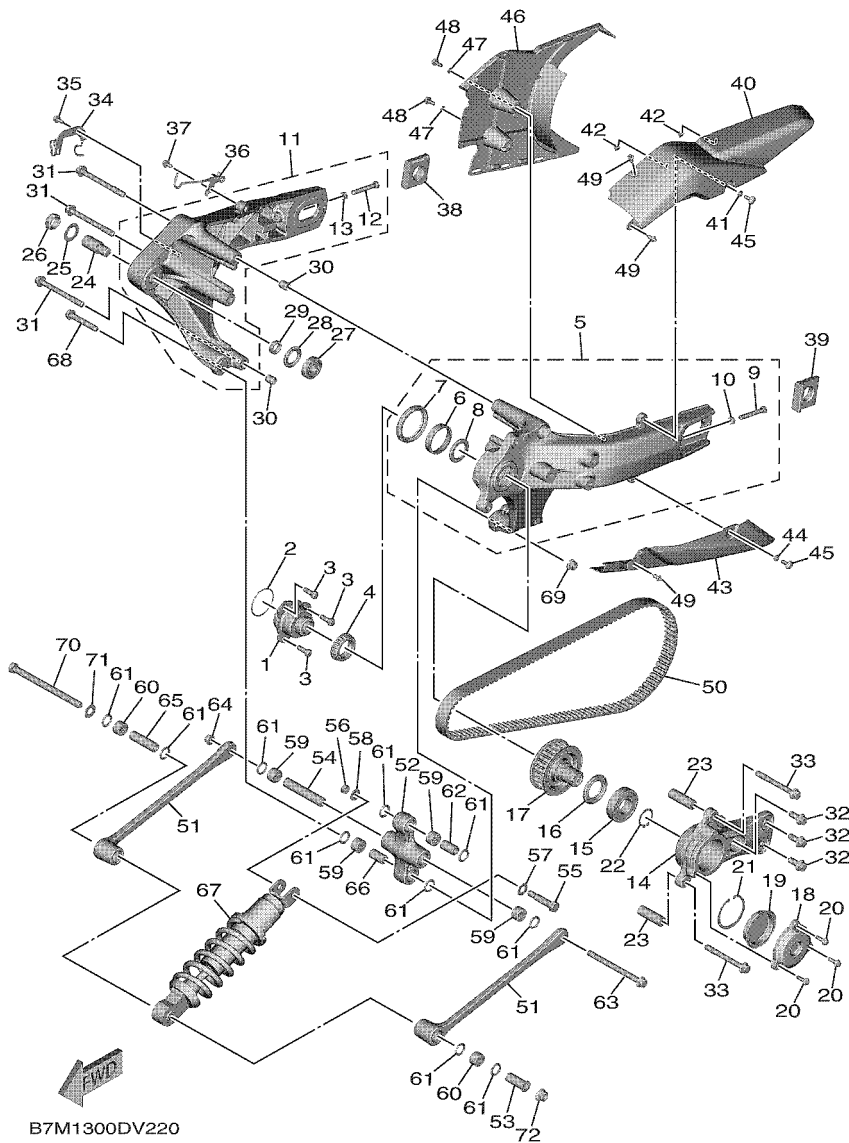


FIG. 22 REAR ARM & SUSPENSION

REF. NO.	PART NO.	DESCRIPTION	B7M7	B7M8	REMARKS
1	15B-17524-00	HOLDER	1	1	
2	93210-50553	O-RING	1	1	
3	91312-08020	BOLT, HEXAGON SOCKET HEAD	3	3	
4	93332-00086	BEARING	1	1	
5	BC3-2210M-00	REAR ARM ASSY 1	1	1	
6	5GJ-17554-00	.RETAINER, BEARING	1	1	
7	93102-55004	.OIL SEAL	1	1	
8	93102-30284	.OIL SEAL	1	1	
9	90101-08013	.BOLT	1	1	
10	95302-08600	.NUT, HEXAGON	1	1	
11	BC3-2210N-01	REAR ARM ASSY 2	1	1	
12	90101-08013	.BOLT	1	1	
13	95302-08600	.NUT, HEXAGON	1	1	
14	BC3-22465-00	HOLDER	1	1	
15	93306-20662	BEARING	1	1	
16	93102-35023	OIL SEAL	1	1	
17	B7M-17651-00	PULLEY, BELT	1	1	
18	59C-2219X-00	COVER	1	1	
19	59C-2214F-00	DAMPER 1	1	1	
20	90110-06163	BOLT, HEXAGON SOCKET HEAD	3	3	
21	99009-62500	CIRCLIP	1	1	
22	99009-30400	CIRCLIP	1	1	
23	59C-46153-00	COLLAR, GUIDE	2	2	
24	15B-22141-00	SHAFT, PIVOT	1	1	
25	90201-22018	WASHER, PLATE	1	1	
26	1J7-22143-00	NUT	1	1	
27	93332-00010	BEARING	1	1	

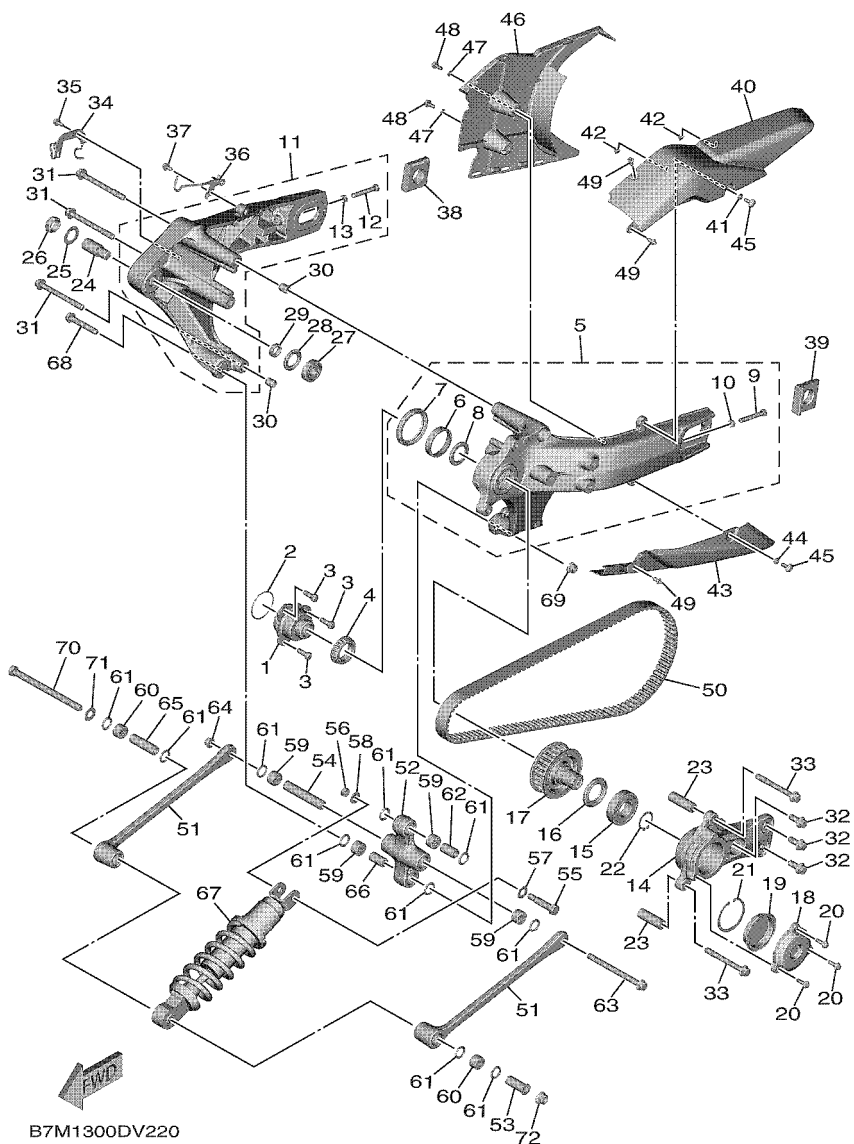
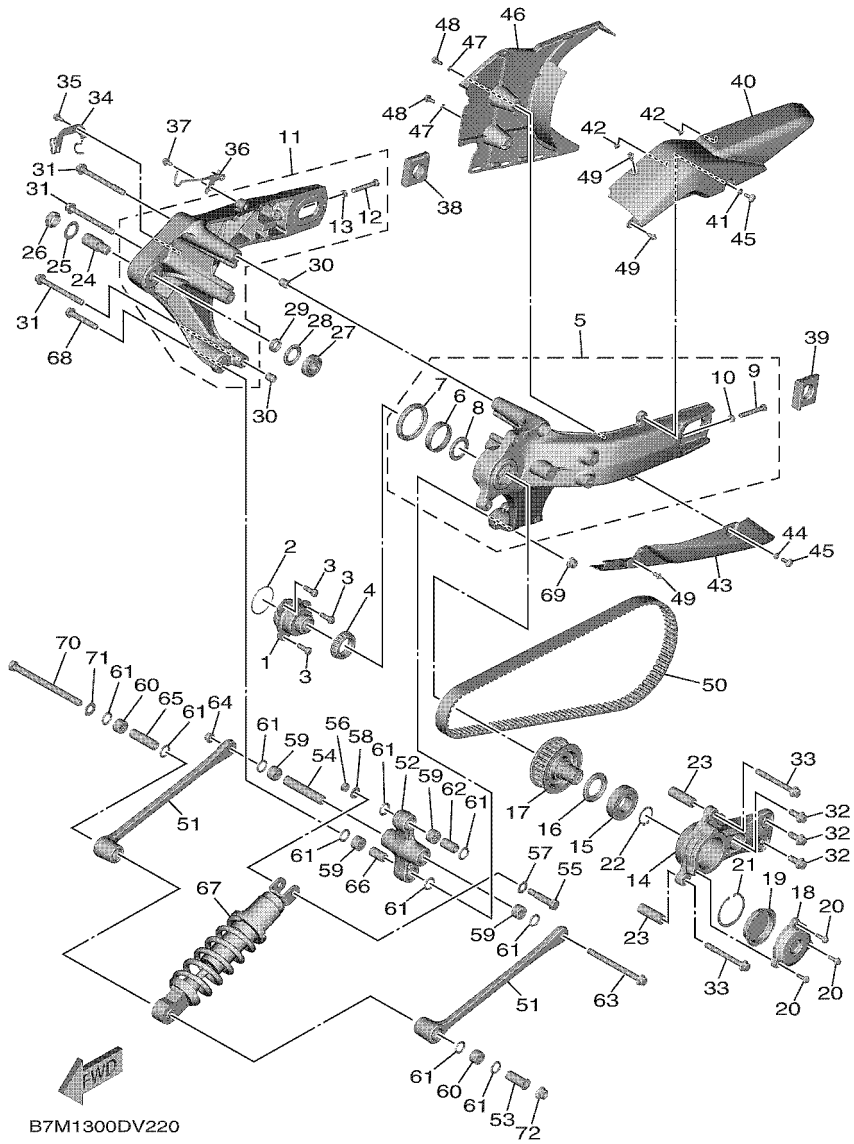


FIG. 22 REAR ARM & SUSPENSION

REF. NO.	PART NO.	DESCRIPTION	B7M7	B7M8	REMARKS
28	93102-25017	OIL SEAL	1	1	
29	90387-17011	COLLAR	1	1	
30	99530-14016	PIN, DOWEL	2	2	
31	95D32-10100	BOLT, FLANGE DEEP RECESS	3	3	
32	95D32-10025	BOLT, FLANGE DEEP RECESS	3	3	
33	95D32-10090	BOLT, FLANGE DEEP RECESS	2	2	
34	BC3-21682-00	STAY, PLATE	1	1	
35	95D32-06012	BOLT, FLANGE DEEP RECESS	1	1	
36	BC3-2587A-00	HOLDER, BRAKE HOSE 4	1	1	
37	90105-06181	BOLT, FLANGE	1	1	
38	5VY-25388-00	PULLER, CHAIN 1	1	1	
39	5VY-25389-01	PULLER, CHAIN 2	1	1	
40	BC3-22311-00	CASE, CHAIN	1	1	
41	90387-06372	COLLAR	1	1	
42	90468-040A0	CLIP	2	2	
43	BC3-22312-00	CASE, CHAIN 2	1	1	
44	90387-06372	COLLAR	1	1	
45	90111-06116	BOLT, HEX. SOCKET BUTTON	2	2	
46	BC3-22381-00	COVER 1	1	1	
47	90387-06372	COLLAR	2	2	
48	95D32-06014	BOLT, FLANGE DEEP RECESS	2	2	
49	90269-06001	RIVET	3	3	
50	BC3-46241-01	BELT	1	1	
51	BC3-2217M-00	ARM 1	2	2	
52	BC3-2217A-00	ARM, RELAY	1	1	
53	BC3-2248B-00	COLLAR, ROD 1	1	1	
54	BC3-2248C-00	COLLAR, ROD 2	1	1	

FIG. 22 REAR ARM & SUSPENSION



REF. NO.	PART NO.	DESCRIPTION	B7M7	B7M8	REMARKS
55	90109-10027	BOLT	1	1	
56	95612-10100	NUT, U	1	1	
57	90201-13015	WASHER, PLATE	1	1	
58	90201-10035	WASHER, PLATE	1	1	
59	93315-31758	BEARING	4	4	
60	93315-41774	BEARING	2	2	
61	93109-17071	OIL SEAL	10	10	
62	90387-127W0	COLLAR	1	1	
63	90105-10220	BOLT, FLANGE	1	1	
64	95602-10200	NUT, S/L FLANGE	1	1	
65	BC3-2248B-10	COLLAR, ROD 1	1	1	
66	BC3-22882-00	COLLAR, DISTANCE 1	1	1	
67	B7M-22210-00	SHOCK ABSORBER ASSY, REAR	1	1	
68	90105-10318	BOLT, FLANGE	1	1	
69	95602-10200	NUT, S/L FLANGE	1	1	
70	90101-12060	BOLT	1	1	
71	90201-12034	WASHER, PLATE	1	1	
72	95602-12200	NUT, SELF-LOCKING	1	1	

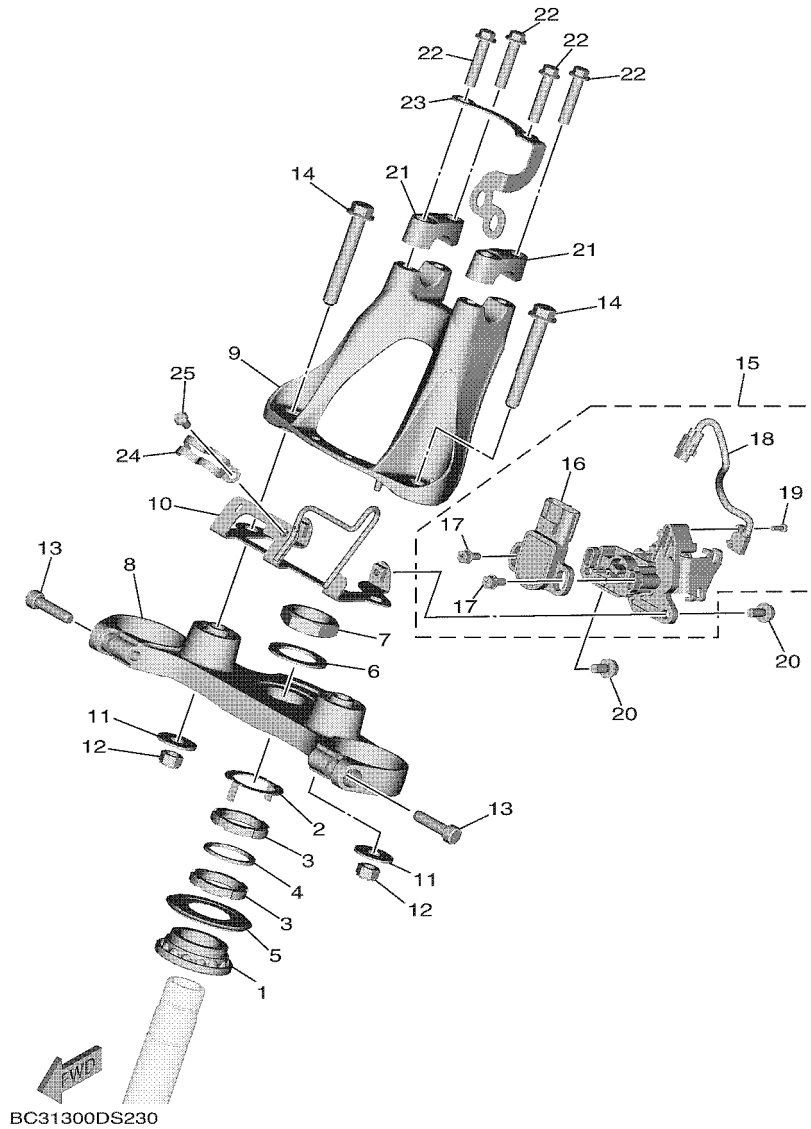


FIG. 23 STEERING

REF. NO.	PART NO.	DESCRIPTION			REMARKS
			B7M7	B7M8	
1	93399-99932	BEARING	1	1	
2	4XV-23418-00	WASHER, SPECIAL	1	1	
3	90179-30006	NUT	2	2	
4	90202-30235	WASHER, PLATE	1	1	
5	4XV-23415-01	COVER, BALL RACE 1	1	1	
6	90201-28017	WASHER, PLATE	1	1	
7	90170-28419	NUT	1	1	
8	BC3-W2341-00	CROWN HANDLE	1	1	
9	59C-23442-01	HOLDER, HANDLE LOWER	1	1	
10	BC3-2334H-00	BRACKET 2	1	1	
11	90201-10043	WASHER, PLATE	2	2	
12	95602-10100	NUT, U	2	2	
13	91312-08030	BOLT, HEXAGON SOCKET HEAD	2	2	
14	90105-10211	BOLT, FLANGE	2	2	
15	BC3-26250-10	THROTTLE LEVER ASSY	1	1	
16	1MC-85884-00	.ACCELERATOR SENSOR ASSY	1	1	
17	5FL-14216-00	.SCREW	2	2	
18	1MC-81860-00	.SWITCH ASSY	1	1	
19	1MC-14216-00	.SCREW	1	1	
20	95D32-06014	BOLT, FLANGE DEEP RECESS	2	2	
21	2PW-23441-00	HOLDER, HANDLE UPPER	2	2	
22	95022-08035	BOLT, FLANGE	4	4	
23	BC3-2334G-00	BRACKET 1	1	1	
24	BC3-23857-00	HOLDER	1	1	
25	92012-06010	BOLT, BUTTON HEAD	1	1	

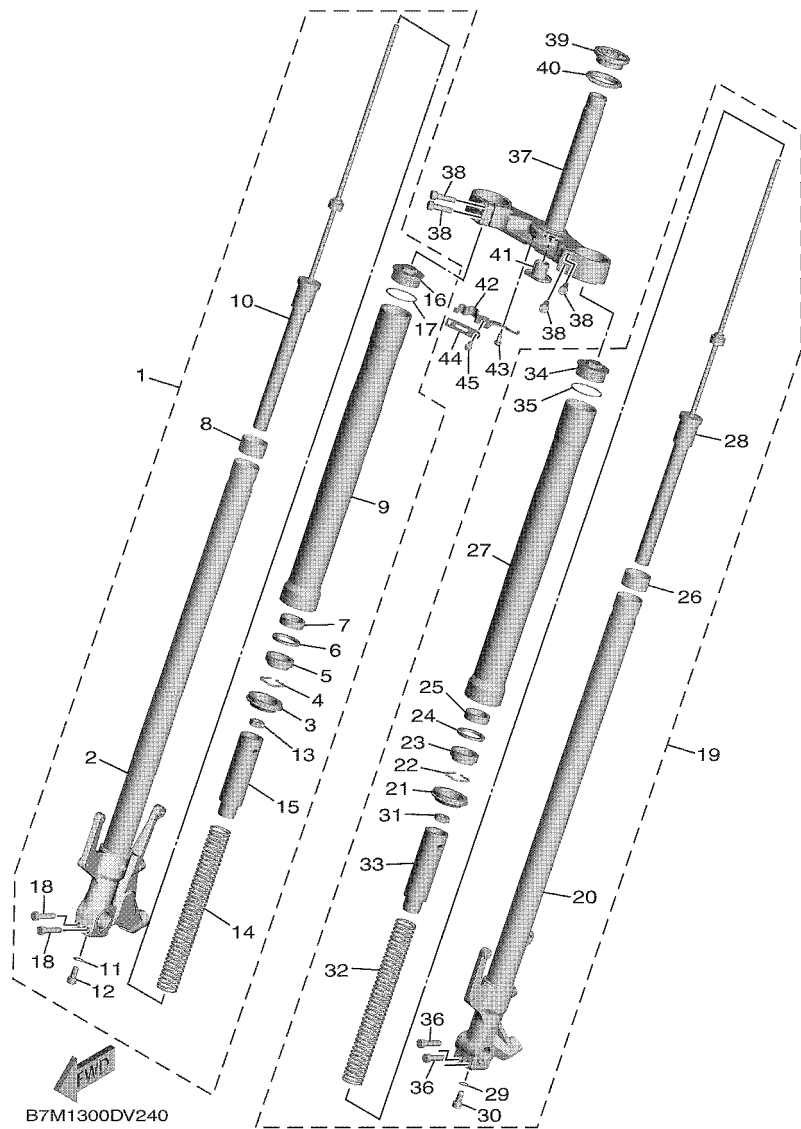


FIG. 24 FRONT FORK

REF. NO.	PART NO.	DESCRIPTION	B7M7	B7M8	REMARKS
1	B7M-23103-00	FRONT FORK ASSY (R.H)	1	1	UR FOR MDNMA
	B3T-23103-00	FRONT FORK ASSY (R.H)	1	1	UR FOR PGD
2	BC3-23110-00	.INNER TUBE COMP.1	1	1	
3	4EB-23144-00	.SEAL, DUST	1	1	
4	26H-23156-00	.RING, SNAP	1	1	
5	4EB-23145-01	.OIL SEAL	1	1	
6	36Y-23146-10	.WASHER, OIL SEAL	1	1	
7	1RC-23125-00	.METAL, SLIDE 1	1	1	
8	4FM-23171-40	.METAL, SLIDE	1	1	
9	BC3-23126-00	.TUBE, OUTER (L.H)	1	1	UR FOR MDNMA
	BC3-23126-10	.TUBE, OUTER (L.H)	1	1	UR FOR PGD
10	B7M-23170-00	.CYLINDER COMP., FRONT FORK	1	1	
11	509-23158-L0	.GASKET	1	1	(KYB)
12	278-23181-50	.BOLT, HEXAGON SOCKET HEAD	1	1	
13	3LC-23357-00	.NUT	1	1	
14	B7M-23141-00	.SPRING, FRONT FORK	1	1	
15	5VY-23118-00	.SPACER	1	1	
16	2PW-23111-00	.BOLT, CAP	1	1	
17	39P-23147-00	.O-RING	1	1	
18	91314-08040	.BOLT, HEXAGON SOCKET HEAD	2	2	
19	B7M-23102-00	FRONT FORK ASSY (L.H)	1	1	UR FOR MDNMA
	B3T-23102-00	FRONT FORK ASSY (L.H)	1	1	UR FOR PGD
20	BC3-23120-00	.INNER TUBE COMP.2	1	1	
21	4EB-23144-00	.SEAL, DUST	1	1	
22	26H-23156-00	.RING, SNAP	1	1	
23	4EB-23145-01	.OIL SEAL	1	1	
24	36Y-23146-10	.WASHER, OIL SEAL	1	1	

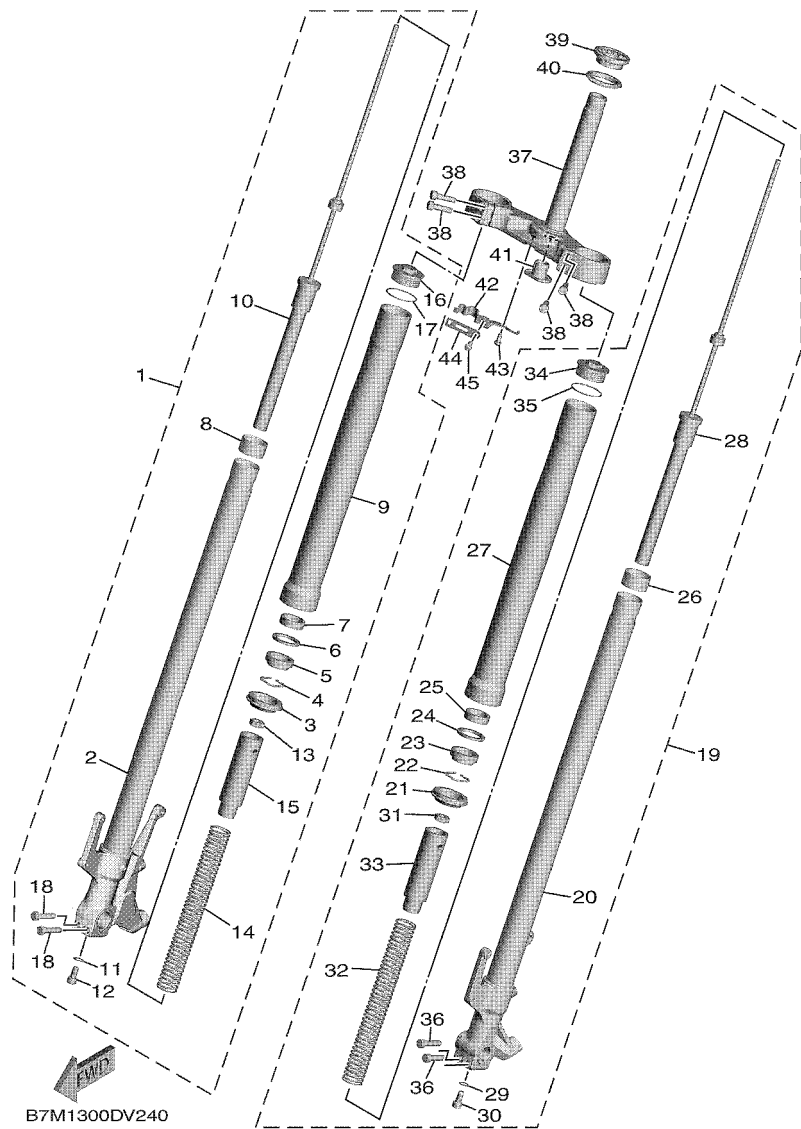
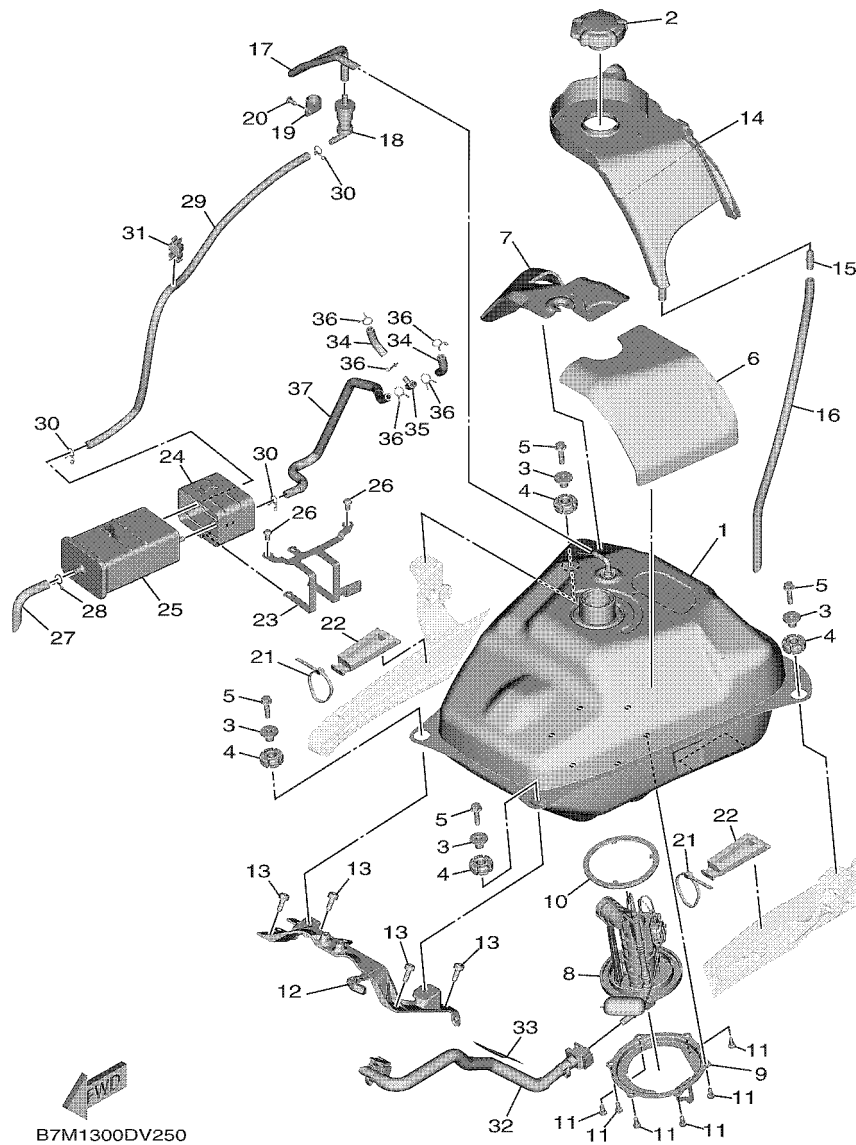


FIG. 24 FRONT FORK

REF. NO.	PART NO.	DESCRIPTION	B7M7	B7M8	REMARKS
25	1RC-23125-00	.METAL, SLIDE 1	1	1	
26	4FM-23171-40	.METAL, SLIDE	1	1	
27	BC3-23126-00	.TUBE, OUTER (L.H)	1	1	UR FOR MDNMA
	BC3-23126-10	.TUBE, OUTER (L.H)	1	1	UR FOR PGD
28	B7M-23170-10	.CYLINDER COMP., FRONT FORK	1	1	
29	509-23158-L0	.GASKET	1	1	(KYB)
30	278-23181-50	.BOLT, HEXAGON SOCKET HEAD	1	1	
31	3LC-23357-00	.NUT	1	1	
32	B7M-23141-00	.SPRING, FRONT FORK	1	1	
33	5VY-23118-00	.SPACER	1	1	
34	2PW-23111-00	.BOLT, CAP	1	1	
35	39P-23147-00	.O-RING	1	1	
36	91314-08040	.BOLT, HEXAGON SOCKET HEAD	2	2	
37	BC3-23340-00	UNDER BRACKET COMP.	1	1	
38	91312-08030	BOLT, HEXAGON SOCKET HEAD	4	4	
39	93399-99957	BEARING	1	1	
40	3FV-23462-00	SEAL, STEERING	1	1	
41	5PB-23123-00	COVER, UNDER 1	1	1	
42	BC3-2317E-00	STAY 1	1	1	
43	90149-06233	SCREW	1	1	
44	BC3-2317F-00	STAY 2	1	1	
45	92012-06012	BOLT, BUTTON HEAD	1	1	

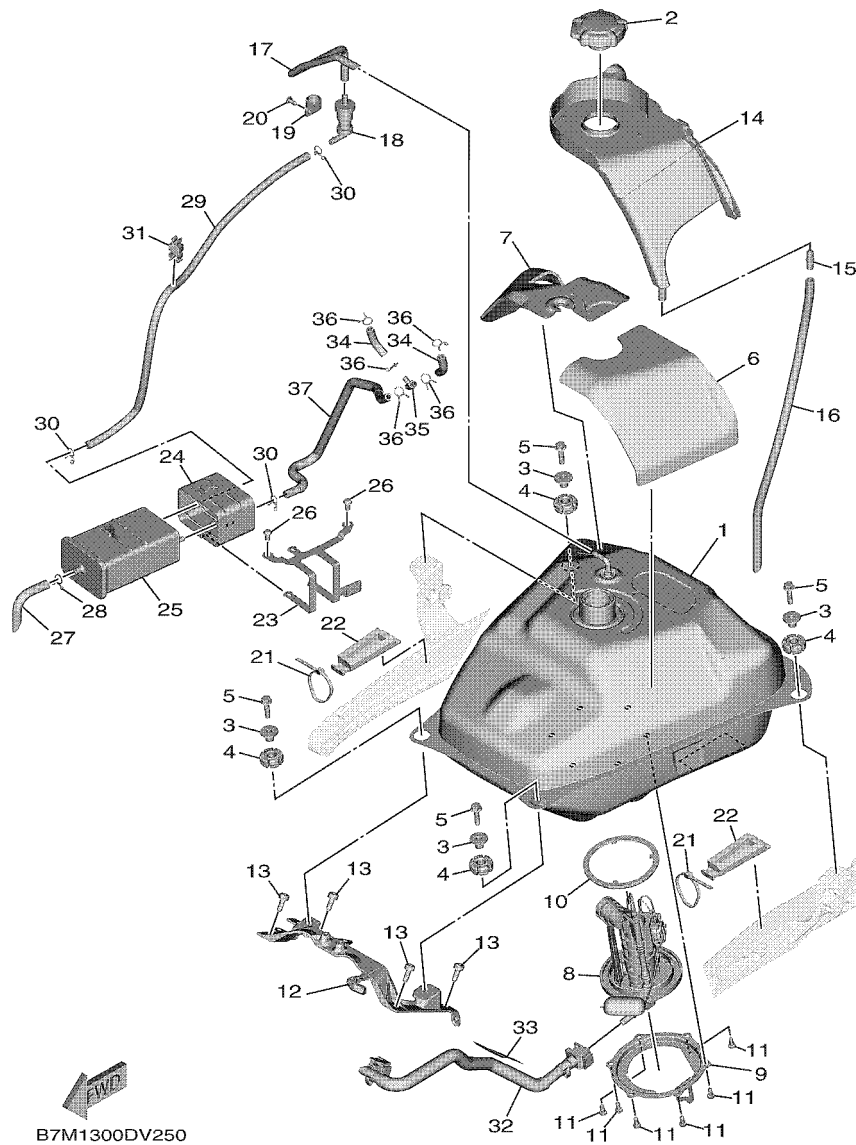


B7M1300DV250

FIG. 25 FUEL TANK

REF. NO.	PART NO.	DESCRIPTION			REMARKS
			B7M7	B7M8	
1	BC3-24110-00	FUEL TANK COMP.	1	1	
2	BC3-24610-01	CAP ASSY	1	1	
3	90387-062U9	COLLAR	4	4	
4	BC3-24339-00	GROMMET	4	4	
5	95D32-06025	BOLT, FLANGE DEEP RECESS	4	4	
6	BC3-24182-00	DAMPER, LOCATING 2	1	1	
7	BC3-24185-00	DAMPER, LOCATING 5	1	1	
8	BC3-13907-02	FUEL PUMP COMP.	1	1	
9	BC3-24491-00	BRACKET, FUEL PUMP	1	1	
10	1S4-24486-00	O-RING	1	1	
11	91312-05010	BOLT, HEXAGON SOCKET HEAD	6	6	
12	B7M-21345-00	BRACKET, TANK FITTING	1	1	
13	90110-06043	BOLT, HEXAGON SOCKET HEAD	4	4	
14	B7M-2414A-00	COVER, FILLER	1	1	
15	4JP-21753-00	BOSS, CONNECTOR	1	1	
16	BC3-24318-00	PIPE, OVERFLOW	1	1	
17	BC3-24313-00	PIPE 3	1	1	
18	5RB-24180-00	ROLL OVER VALVE ASSY	1	1	
19	90464-15014	CLAMP	1	1	
20	90269-05001	RIVET	1	1	
21	1UA-82591-00	BAND	2	2	
22	BC3-24184-00	DAMPER, LOCATING 4	2	2	
23	BC3-2419F-00	BRACKET, CANISTOR	1	1	
24	BC3-24183-00	DAMPER, LOCATING 3	1	1	
25	BC3-24170-00	CANISTER ASSY	1	1	
26	92012-06010	BOLT, BUTTON HEAD	2	2	
27	5EL-24316-10	PIPE 6	1	1	

FIG. 25 FUEL TANK



B7M1300DV250

REF. NO.	PART NO.	DESCRIPTION	B7M7	B7M8	REMARKS
28	90467-110A3	CLIP	1	1	
29	B7M-24315-00	PIPE 5	1	1	
30	90467-090A2	CLIP	3	3	
31	90464-10M52	CLAMP	1	1	
32	B7M-13971-01	PIPE, FUEL 1	1	1	
33	B7M-2476U-00	PROTECTOR 1	1	1	
34	B7M-14465-00	PIPE	2	2	
35	90413-06031	WAY 3	1	1	
36	90467-09006	CLIP	5	5	
37	B7M-13758-00	PIPE, JOINT	1	1	

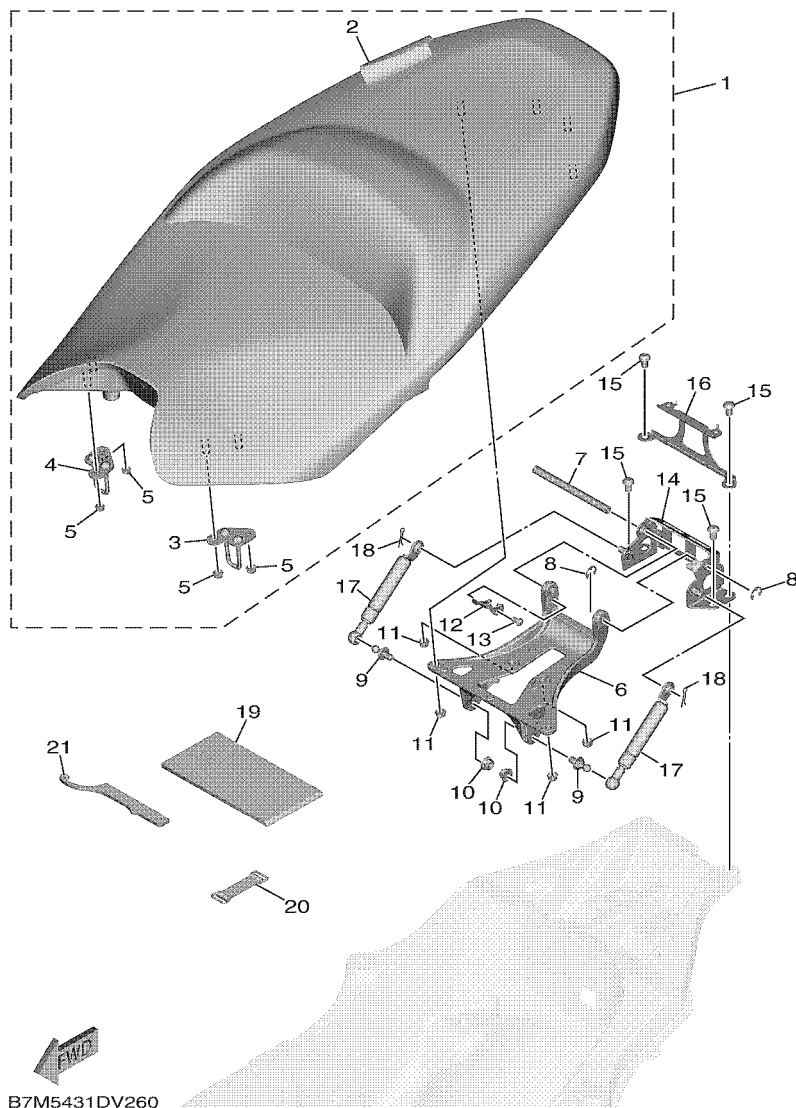
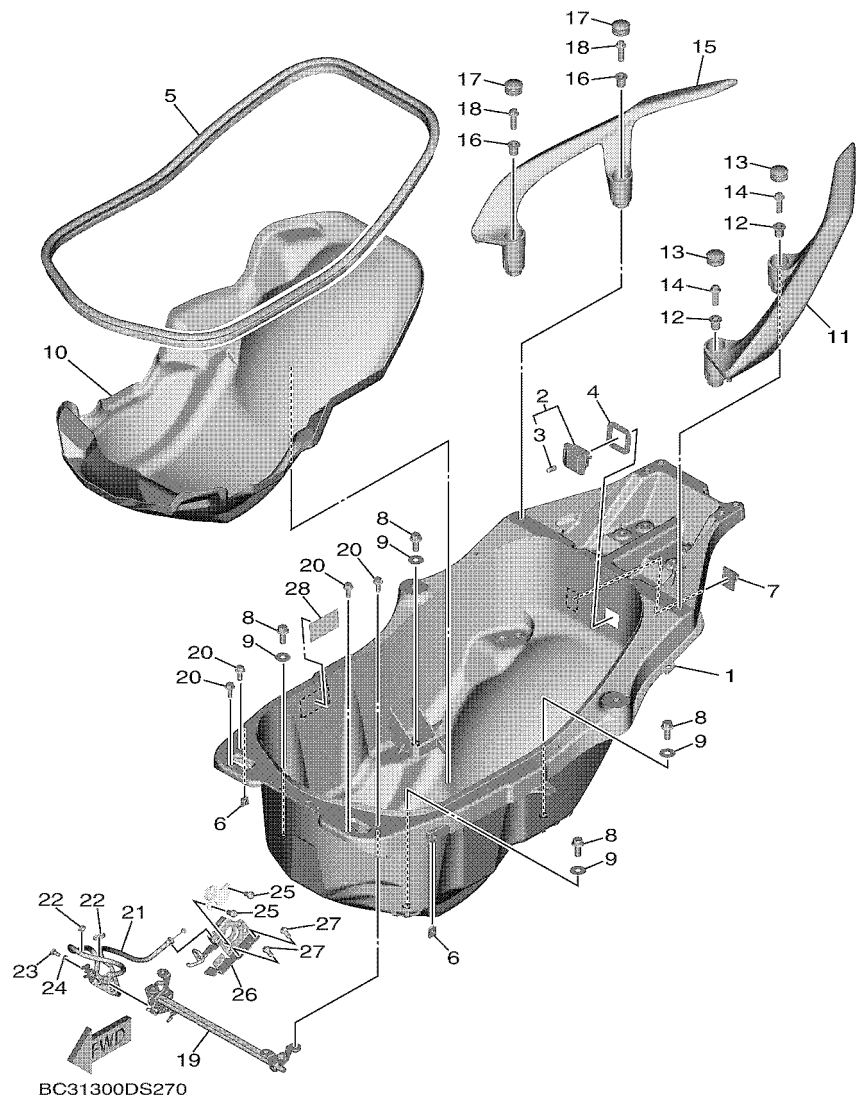


FIG. 26 SEAT

REF. NO.	PART NO.	DESCRIPTION	B7M7	B7M8	REMARKS
1	BC3-24730-33	DOUBLE SEAT ASSY	1	1	UR FOR MDNMA
	BC3-24730-13	DOUBLE SEAT ASSY	1	1	UR FOR PGD
2	BC3-24731-33	.COVER, SEAT	1	1	UR FOR MDNMA
	BC3-24731-13	.COVER, SEAT	1	1	UR FOR PGD
3	BC3-24738-00	.BRACKET, SEAT	1	1	
4	BC3-24748-00	.BRACKET, SEAT	1	1	
5	95602-06200	.NUT, SELF-LOCKING	4	4	
6	2PW-24726-00	HINGE, SEAT	1	1	
7	2PW-24727-00	PIN, SEAT FITTING	1	1	
8	93430-09038	CIRCLIP	2	2	
9	4B5-2474E-00	ARM	2	2	
10	95602-08200	NUT, U FLANGE	2	2	
11	95602-06200	NUT, SELF-LOCKING	4	4	
12	2PW-24718-00	BRACKET, SEAT	1	1	
13	92012-06010	BOLT, BUTTON HEAD	1	1	
14	B7M-24769-00	HINGE, SEAT	1	1	
15	92012-08012	BOLT, BUTTON HEAD	4	4	
16	B7M-2475U-00	BRACKET, TAIL COVER	1	1	
17	4B5-2478G-04	STOPPER	2	2	
18	90468-16001	CLIP	2	2	
19	2PW-28100-11	TOOL KIT	1	1	
20	3TJ-82131-00	BAND, BATTERY	1	1	
21	1RC-28135-00	SPANNER, SPECIAL	1	1	

FIG. 27 SEAT 2



REF. NO.	PART NO.	DESCRIPTION	B7M7	B7M8	REMARKS
1	BC3-2473R-00	BOX 1	1	1	
2	4HC-84770-00	LIGHT, ACCESSORY	1	1	
3	4HC-84347-00	.BULB (12V-2W)	1	1	
4	5GJ-2839M-00	SEAL, BOX 2	1	1	
5	BC3-2173M-00	SEAL 3	1	1	
6	90183-05076	NUT, SPRING	2	2	
7	90464-25160	CLAMP	1	1	
8	95D32-08020	BOLT, FLANGE DEEP RECESS	4	4	
9	90201-08103	WASHER, PLATE	4	4	
10	BC3-24747-00	DAMPER, SEAT	1	1	
11	BC3-2474A-00-P6	ASSIST, GRIP	1	1	UR FOR MDNMA
	BC3-2474A-00-3E	ASSIST, GRIP	1	1	UR FOR PGD
12	90387-08068	COLLAR	2	2	
13	4B5-2476U-00	PROTECTOR 1	2	2	
14	90105-08054	BOLT, FLANGE	2	2	
15	BC3-2474W-00-P6	ASSIST,GRIP 2	1	1	UR FOR MDNMA
	BC3-2474W-00-3E	ASSIST,GRIP 2	1	1	UR FOR PGD
16	90387-08068	COLLAR	2	2	
17	4B5-2476U-00	PROTECTOR 1	2	2	
18	90105-08054	BOLT, FLANGE	2	2	
19	BC3-24780-01	SEAT LOCK ASSY	1	1	
20	95D32-06016	BOLT, FLANGE DEEP RECESS	4	4	
21	BC3-2478D-00	SEAT LOCK CABLE ASSY	1	1	
22	3MA-82591-00	BAND	2	2	
23	97002-05010	BOLT	1	1	
24	92902-05600	WASHER, PLATE	1	1	
25	92012-06012	BOLT, BUTTON HEAD	2	2	

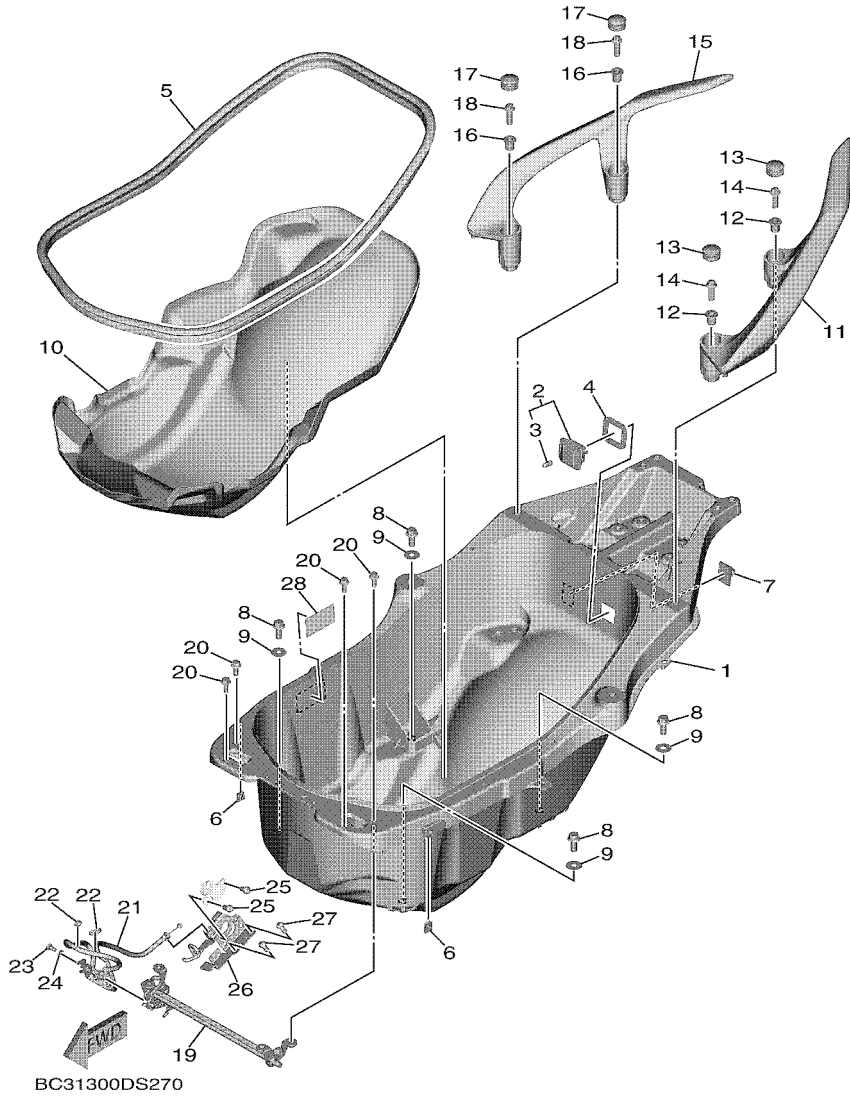
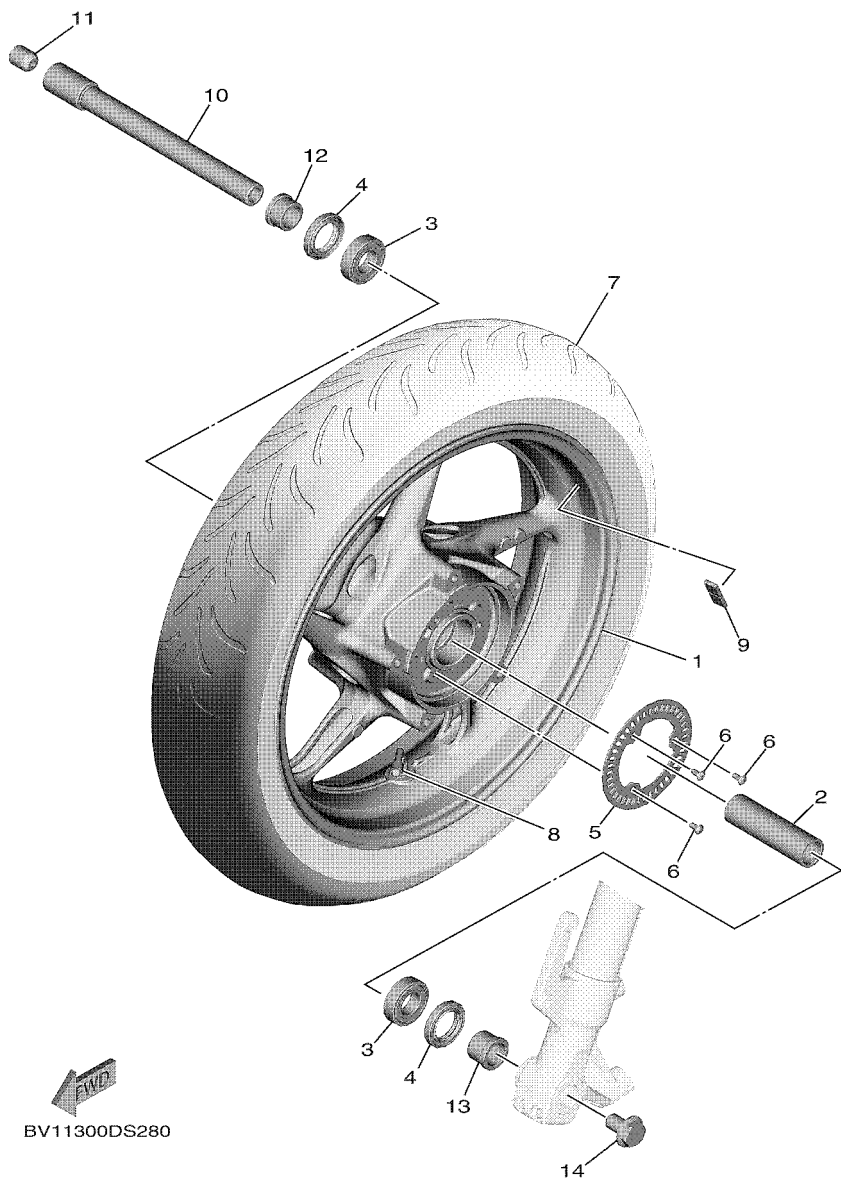


FIG. 27 SEAT 2

REF. NO.	PART NO.	DESCRIPTION			REMARKS
			B7M7	B7M8	
26	BC3-2117K-00	STAY, LOCK	1	1	
27	92012-06012	BOLT, BUTTON HEAD	2	2	
28	BC3-21668-00	LABEL, TIRE	1	1	



BV11300DS280

FIG. 28 FRONT WHEEL

REF. NO.	PART NO.	DESCRIPTION	B7M7	B7M8	REMARKS
1	2PW-25168-00-8L	CAST WHEEL, FRONT	1	1	UR NG FOR MDNMA
	2PW-25168-00-P1	CAST WHEEL, FRONT	1	1	UR MBL2 FOR PGD
2	5EA-25117-00	SPACER, BEARING	1	1	
3	93306-07208	BEARING	2	2	
4	93106-28043	OIL SEAL	2	2	
5	2DR-2517G-00	ROTOR, SENSOR	1	1	
6	90149-05029	SCREW	3	3	
7	94112-15012	TIRE (120/70R15 M/C56H T/L BS)	1	1	BRIDESTONE
8	93900-00025	VALVE, RIM (PVR59A)	1	1	TAIHEIYO
9	23P-25398-00	BALANCER, WHEEL	1	1	UN
10	BC3-25181-00	AXLE, WHEEL	1	1	
11	5PW-25188-00	CAP	1	1	
12	90387-22016	COLLAR	1	1	
13	90387-22030	COLLAR	1	1	
14	90105-14002	BOLT, FLANGE	1	1	

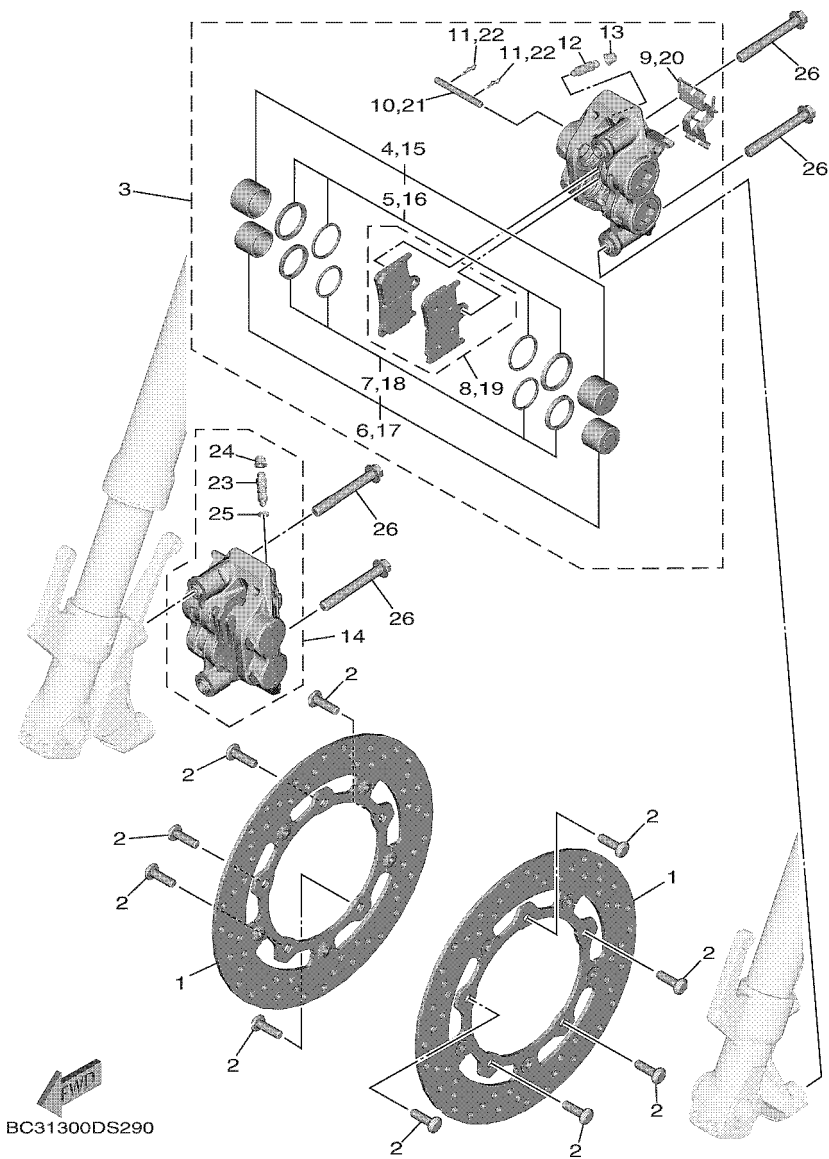


FIG. 29 FRONT BRAKE CALIPER

REF. NO.	PART NO.	DESCRIPTION	B7M7	B7M8	REMARKS
1	59C-2581T-00	DISK BRAKE ASSY	2	2	
2	90109-083G4	BOLT	10	10	
3	2PW-2580T-20	CALIPER ASSY (LEFT)	1	1	UR FOR MDNMA
	2PW-2580T-00	CALIPER ASSY (LEFT)	1	1	UR FOR PGD
4	4SV-25802-10	.PISTON ASSY, CALIPER	1	1	
5	3GM-25803-10	.CALIPER SEAL KIT	1	1	
6	4SV-25802-00	.PISTON ASSY, CALIPER	1	1	
7	3MA-25803-10	.CALIPER SEAL KIT	1	1	
8	4B5-25805-00	.BRAKE PAD KIT	1	1	
9	13S-25919-00	.SUPPORT, PAD	1	1	
10	4SV-25924-00	.PIN, PAD	1	1	
11	3GM-25925-00	.CLIP	2	2	
12	1J3-25824-00	.SCREW, BLEED	1	1	
13	306-25825-01	.CAP	1	1	
14	2PW-2580U-30	CALIPER ASSY (RIGHT)	1	1	UR FOR MDNMA
	2PW-2580U-10	CALIPER ASSY (RIGHT)	1	1	UR FOR PGD
15	4SV-25802-10	.PISTON ASSY, CALIPER	1	1	
16	3GM-25803-10	.CALIPER SEAL KIT	1	1	
17	4SV-25802-00	.PISTON ASSY, CALIPER	1	1	
18	3MA-25803-10	.CALIPER SEAL KIT	1	1	
19	4B5-25805-00	.BRAKE PAD KIT	1	1	
20	13S-25919-00	.SUPPORT, PAD	1	1	
21	4SV-25924-00	.PIN, PAD	1	1	
22	3GM-25925-00	.CLIP	2	2	
23	5VS-25824-00	.SCREW, BLEED	1	1	
24	306-25825-01	.CAP	1	1	
25	5VS-25975-00	.RUBBER, BUSHING	1	1	

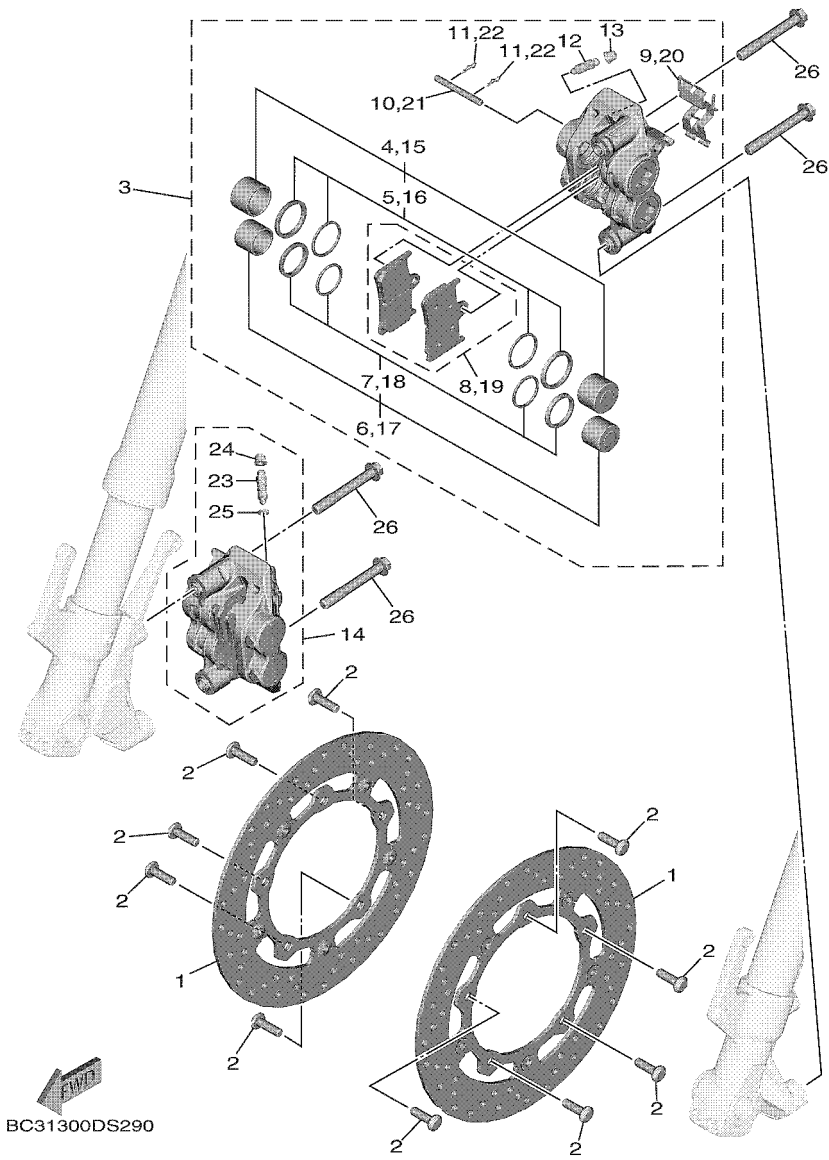


FIG. 29 FRONT BRAKE CALIPER

REF. NO.	PART NO.	DESCRIPTION	B7M7	B7M8	REMARKS
26	90105-10440	BOLT, FLANGE	4	4	

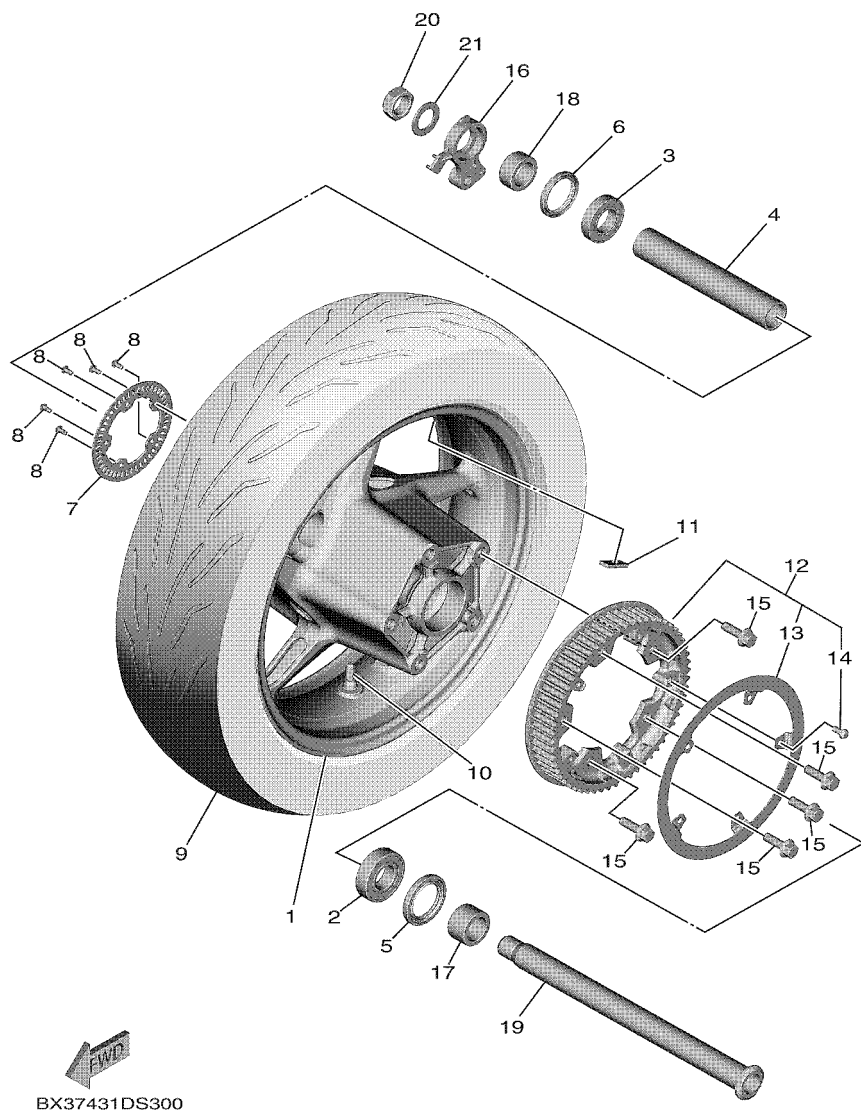
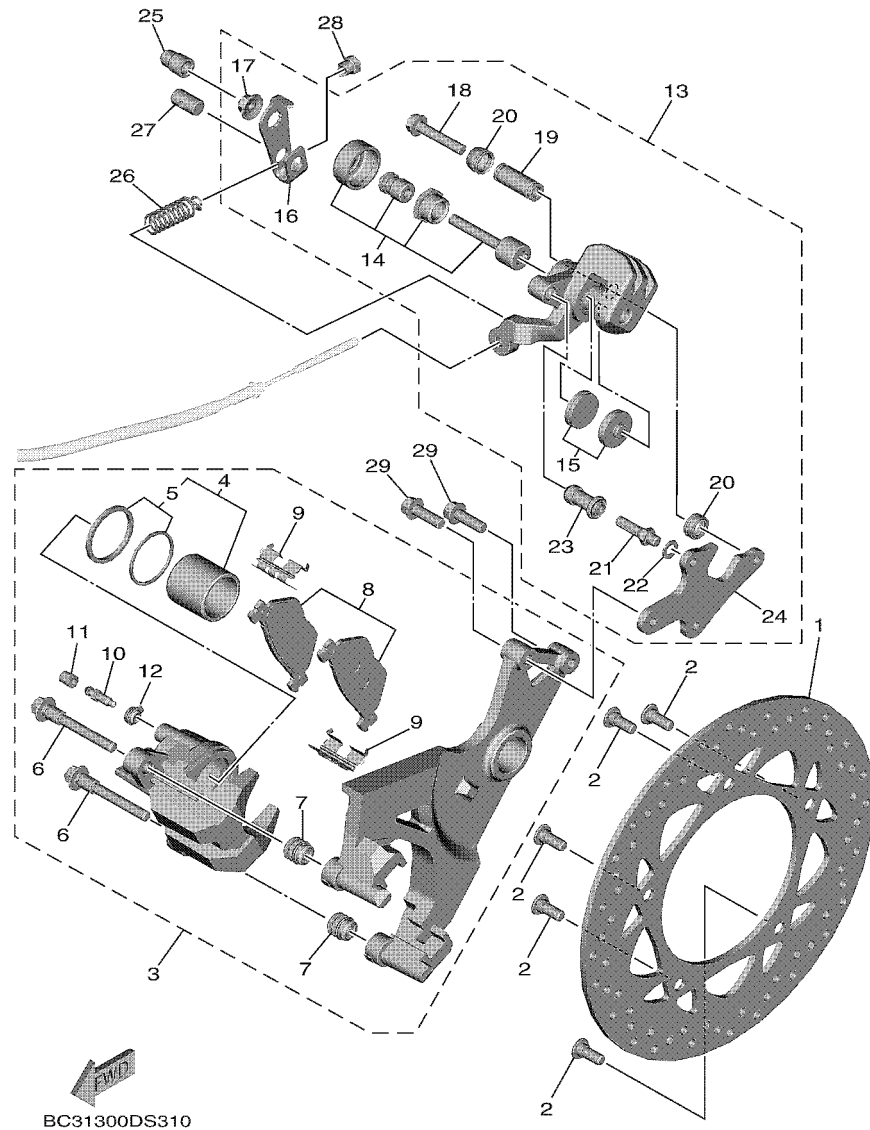


FIG. 30 REAR WHEEL

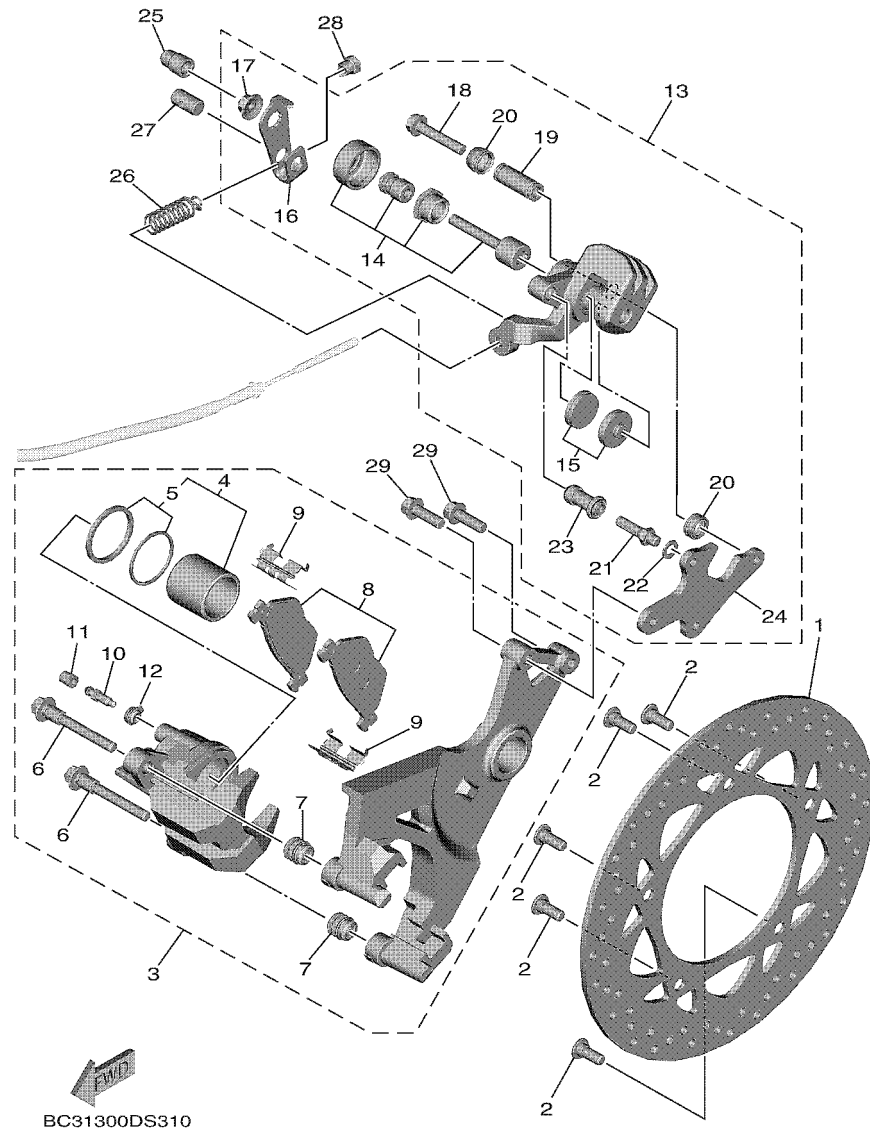
REF. NO.	PART NO.	DESCRIPTION			REMARKS
			B7M7	B7M8	
1	BC3-25338-00-8L	CAST WHEEL, REAR	1	1	UR NG FOR MDNMA
	BC3-25338-00-P0	CAST WHEEL, REAR	1	1	UR MBL2 FOR PGD
2	93306-205B5	BEARING	1	1	
3	93306-07809	BEARING	1	1	
4	59C-25317-01	SPACER, BEARING	1	1	
5	93106-40013	OIL SEAL	1	1	
6	93106-40027	OIL SEAL	1	1	
7	2PW-2517G-00	ROTOR, SENSOR	1	1	
8	90149-05029	SCREW	5	5	
9	94116-15019	TIRE (160/60R15 M/C67H T/L BS)	1	1	BRIDGESTONE
10	93900-00030	VALVE, RIM (TR412)	1	1	TAIHEIYO
11	23P-25398-00	BALANCER, WHEEL	1	1	UN
12	BC3-25470-00	SPROCKET, DRIVEN (59T)	1	1	
13	BC3-27883-00	.GEAR, RING	1	1	
14	90111-06064	.BOLT, HEX. SOCKET BUTTON	5	5	
15	90105-10237	BOLT, FLANGE	5	5	
16	2PW-2537A-00	HOUSING, SENSOR REAR	1	1	
17	BC3-25376-00	COLLAR, WHEEL	1	1	
18	2PW-25377-10	COLLAR, WHEEL	1	1	
19	BC3-25381-00	AXLE, WHEEL	1	1	
20	90185-24002	NUT, SELF-LOCKING	1	1	
21	90201-25020	WASHER, PLATE	1	1	

FIG. 31 REAR BRAKE CALIPER



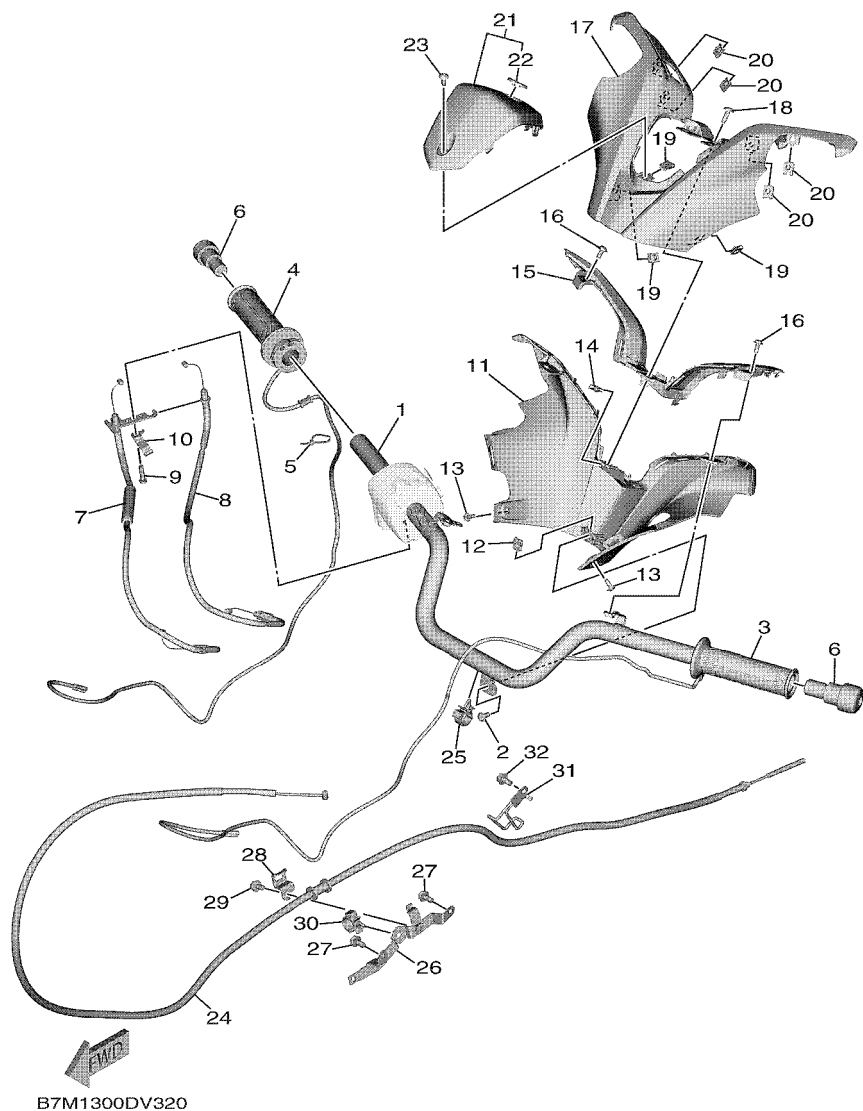
REF. NO.	PART NO.	DESCRIPTION			REMARKS
			B7M7	B7M8	
1	59C-2582W-00	DISK, REAR BRAKE 2	1	1	
2	90149-08009	SCREW	5	5	
3	59C-2580W-01	CALIPER ASSY, REAR 2	1	1	
4	59C-25802-00	.PISTON ASSY, CALIPER	1	1	
5	59C-25803-00	.CALIPER SEAL KIT	1	1	
6	59C-25914-00	.PIN, SLIDE	2	2	
7	4TT-25937-00	.BOOT 2	2	2	
8	59C-25806-00	.BRAKE PAD KIT 2	1	1	
9	5JW-25919-00	.SUPPORT, PAD	2	2	
10	5GM-25824-00	.SCREW, BLEED	1	1	
11	1D7-25825-00	.CAP	1	1	
12	5GM-25975-00	.RUBBER, BUSHING	1	1	
13	2PW-259A0-00	CALIPER ASSY 2	1	1	
14	59C-25802-50	.PISTON ASSY, CALIPER	1	1	
15	59C-25805-50	.BRAKE PAD KIT	1	1	
16	59C-259A3-00	.ARM	1	1	
17	59C-259A4-00	.NUT, ADJUSTING	1	1	
18	59C-25914-50	.PIN, SLIDE	1	1	
19	59C-25838-00	.SLEEVE, CALIPER	1	1	
20	1UY-25917-51	.BOOT, CALIPER	2	2	
21	1UY-25926-51	.BOLT	1	1	
22	1UY-25938-51	.WASHER, SPRING	1	1	
23	1UY-25937-51	.BOOT 2	1	1	
24	2PW-25921-50	.BRACKET, SUPPORT	1	1	
25	59C-25825-00	CAP	1	1	
26	59C-25333-00	SPRING, RETURN	1	1	
27	90249-12004	PIN	1	1	

FIG. 31 REAR BRAKE CALIPER



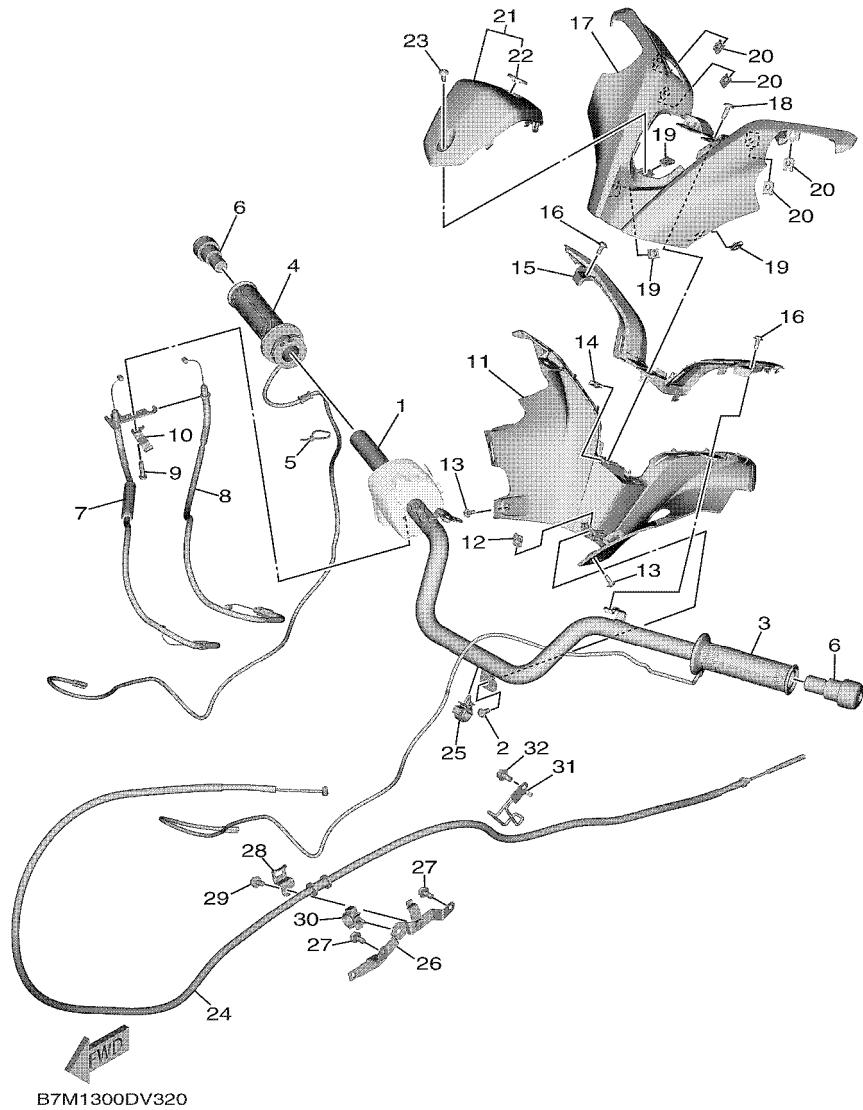
REF. NO.	PART NO.	DESCRIPTION			REMARKS
			B7M7	B7M8	
28	90179-06018	NUT	1	1	
29	90105-08440	BOLT, FLANGE	2	2	

FIG. 32 STEERING HANDLE & CABLE



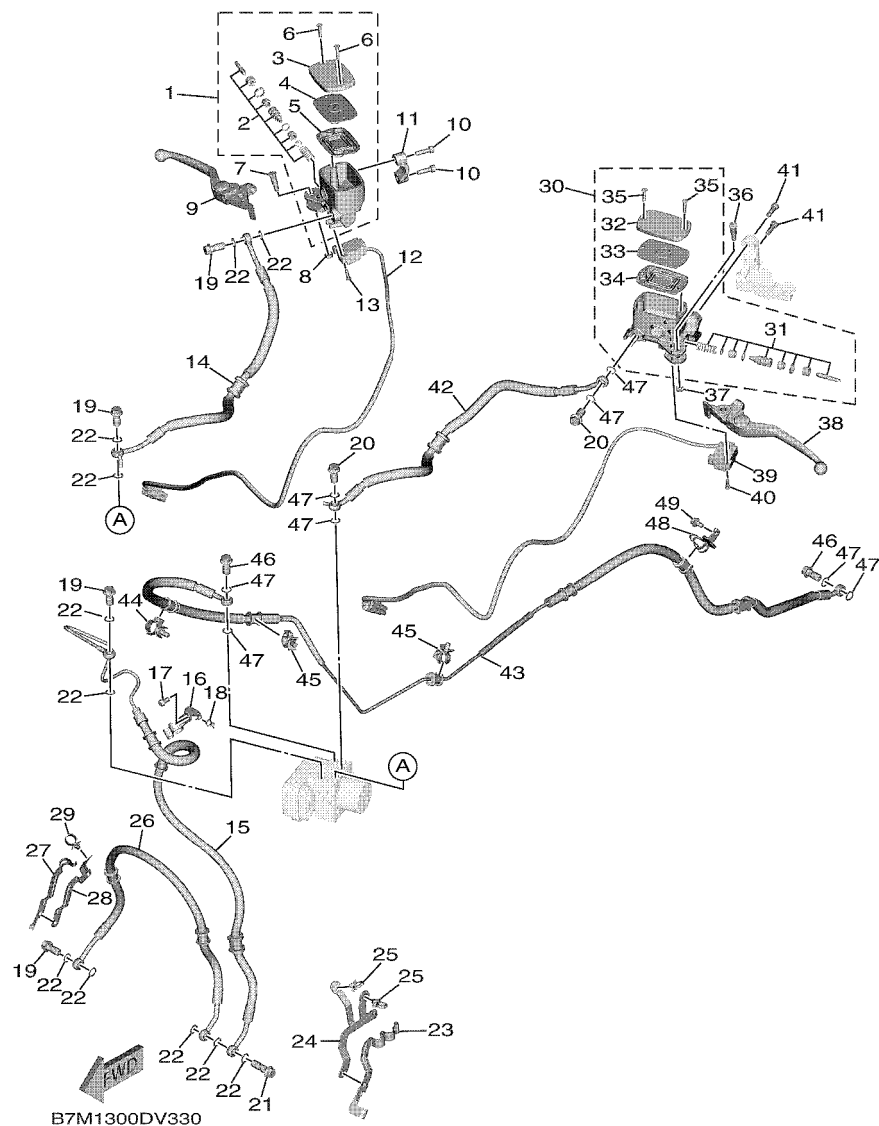
REF. NO.	PART NO.	DESCRIPTION	B7M7	B7M8	REMARKS
1	B7M-26110-00	HANDLE COMP.	1	1	
2	90159-05032	SCREW, WITH WASHER	1	1	
3	BC3-82963-00	GRIP, WARMER (LEFT)	1	1	
4	B7M-82960-00	GRIP, WARMER	1	1	
5	90465-10098	CLAMP	1	1	
6	BC3-26246-00	END, GRIP	2	2	
7	BC3-26311-00	WIRE, THROTTLE 1	1	1	
8	BC3-26312-00	CABLE, THROTTLE 2	1	1	
9	98517-05020	SCREW, PAN HEAD	1	1	
10	BC3-82361-00	CLAMP, CORD	1	1	
11	BC3-26145-00	COVER, HANDLE UPPER 2	1	1	
12	90183-05076	NUT, SPRING	1	1	
13	90167-05079	SCREW, TAPPING	2	2	
14	90183-05042	NUT, SPRING	1	1	
15	BC3-26216-A0	CAP, HANDLEBAR COVER	1	1	
16	90109-05012	BOLT	2	2	
17	BC3-26143-00	COVER, HANDLE UPPER 1	1	1	
18	90167-05076	SCREW, TAPPING	1	1	
19	90183-05042	NUT, SPRING	3	3	
20	90183-05076	NUT, SPRING	4	4	
21	BC3-26217-00	CAP, COVER HANDLE 2	1	1	
22	8GC-2836B-02	.TUNING FORK MARK	1	1	
23	90167-05079	SCREW, TAPPING	1	1	
24	B7M-2835X-00	WIRE	1	1	
25	90464-16006	CLAMP	1	1	
26	BC3-26279-00	GUIDE, CABLE	1	1	
27	95D32-06012	BOLT, FLANGE DEEP RECESS	2	2	

FIG. 32 STEERING HANDLE & CABLE



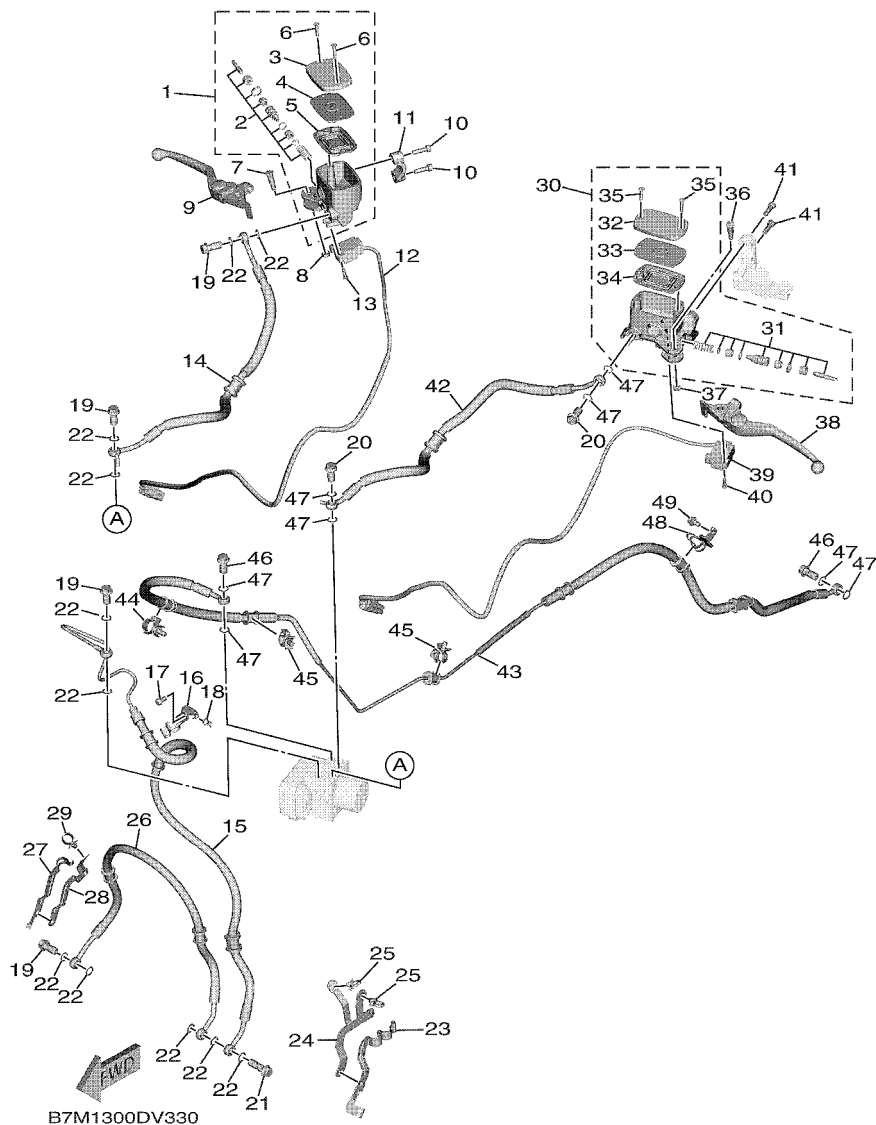
REF. NO.	PART NO.	DESCRIPTION			REMARKS
			B7M7	B7M8	
28	4B5-26131-00	GUIDE, CABLE 1	1	1	
29	95D32-06010	BOLT, FLANGE DEEP RECESS	1	1	
30	90464-16006	CLAMP	1	1	
31	BC3-27982-00	BRACKET, WIRE	1	1	
32	95D32-06012	BOLT, FLANGE DEEP RECESS	1	1	

FIG. 33 FRONT MASTER CYLINDER



REF. NO.	PART NO.	DESCRIPTION			REMARKS
			B7M7	B7M8	
1	BC3-2580A-00	MASTER CYLINDER SUB ASSY 2	1	1	
2	BC3-25807-00	.CYLINDER KIT, MASTER	1	1	
3	4B5-25852-00	.CAP, RESERVOIR	1	1	
4	4B5-25855-00	.BUSH,DIAPHRAGM	1	1	
5	4B5-25854-00	.DIAPHRAGM, RESERVOIR	1	1	
6	5VS-2589H-00	.SCREW	2	2	
7	5VS-2589F-00	BOLT, LEVER	1	1	
8	95617-06100	NUT, SELF-LOCKING	1	1	
9	2PW-83922-00	LEVER 2	1	1	
10	5VS-26332-00	BOLT	2	2	
11	2PW-25867-00	BRACKET, MASTER CYLINDER	1	1	
12	BC3-83980-01	FRONT STOP SWITCH ASSY	1	1	
13	97602-04214	SCREW, PAN HEAD WITH WASHER	1	1	
14	BC3-25874-00	HOSE, BRAKE 3	1	1	
15	BC3-25873-01	HOSE, BRAKE 2	1	1	
16	BC3-25887-00	HOLDER, BRAKE HOSE 3	1	1	
17	92012-06012	BOLT, BUTTON HEAD	1	1	
18	90465-10098	CLAMP	1	1	
19	90401-10020	BOLT, UNION	4	4	
20	90401-10020	BOLT, UNION	2	2	
21	90401-10038	BOLT, UNION	1	1	
22	90430-10005	GASKET	11	11	
23	BC3-25875-00	HOLDER, BRAKE HOSE 1	1	1	
24	BC3-2612E-00	BRACKET	1	1	
25	90464-12001	CLAMP	2	2	
26	BC3-2584D-00	HOSE, BRAKE	1	1	
27	BC3-25876-00	HOLDER, BRAKE HOSE 2	1	1	

FIG. 33 FRONT MASTER CYLINDER



REF. NO.	PART NO.	DESCRIPTION			REMARKS
			B7M7	B7M8	
28	BC3-2612K-00	BRKT 2	1	1	
29	90464-13133	CLAMP	1	1	
30	BC3-2580A-10	MASTER CYLINDER SUB ASSY 2	1	1	
31	BC3-25807-10	.CYLINDER KIT, MASTER	1	1	
32	4B5-25852-00	.CAP, RESERVOIR	1	1	
33	4B5-25855-00	.BUSH,DIAPHRAGM	1	1	
34	4B5-25854-00	.DIAPHRAGM, RESERVOIR	1	1	
35	5VS-2589H-00	.SCREW	2	2	
36	5VS-2589F-00	BOLT, LEVER	1	1	
37	95617-06100	NUT, SELF-LOCKING	1	1	
38	2PW-83912-00	LEVER 1	1	1	
39	BC3-82917-01	SWITCH	1	1	
40	97602-04214	SCREW, PAN HEAD WITH WASHER	1	1	
41	5VS-26332-00	BOLT	2	2	
42	BC3-2584B-00	HOSE, BRAKE	1	1	
43	B7M-2584C-00	HOSE, BRAKE	1	1	
44	90464-16012	CLAMP	1	1	
45	90464-14013	CLAMP	2	2	
46	90401-10020	BOLT, UNION	2	2	
47	90430-10005	GASKET	8	8	
48	BC3-25886-00	HOLDER, BRAKE HOSE	1	1	
49	95D32-06012	BOLT, FLANGE DEEP RECESS	1	1	

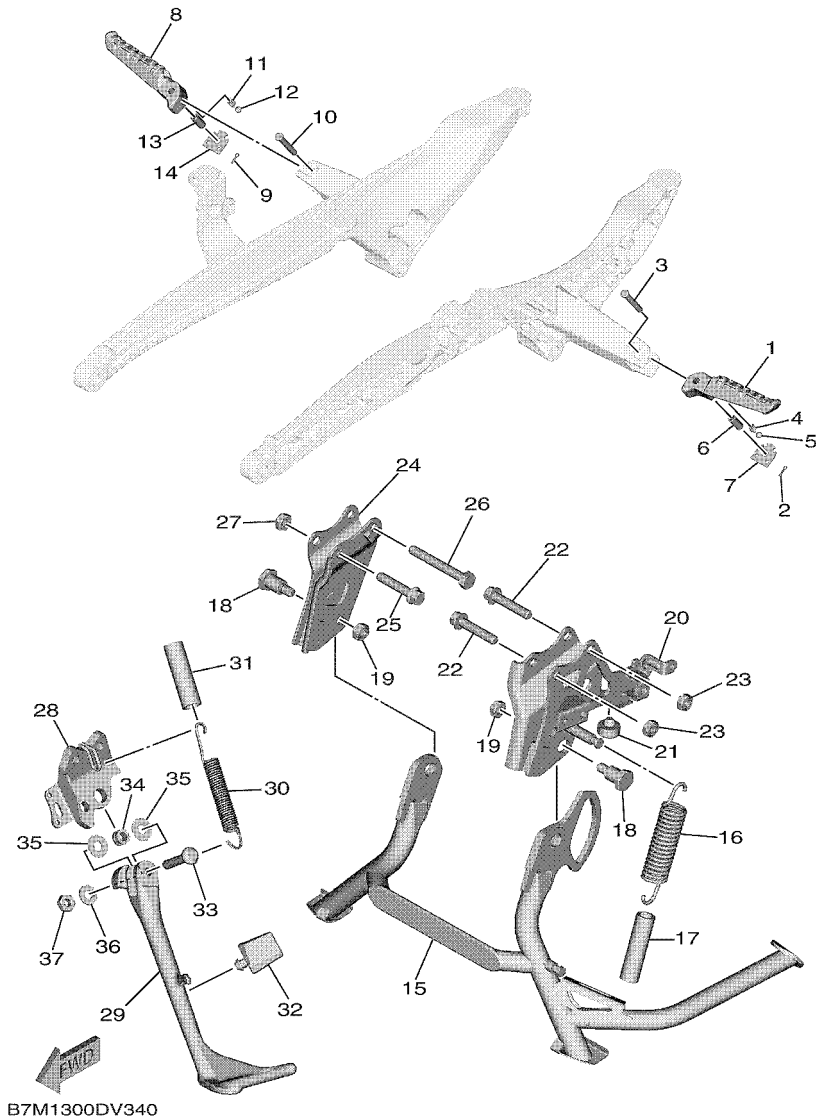


FIG. 34 STAND & FOOTREST

REF. NO.	PART NO.	DESCRIPTION	B7M7	B7M8	REMARKS
1	B7M-27431-00	FOOTREST, REAR 1	1	1	
2	91402-20012	PIN, COTTER	1	1	
3	91702-06038	PIN, CLEVIS	1	1	
4	90501-15001	SPRING, COMPRESSION	1	1	
5	93501-04011	BALL	1	1	
6	90387-064H8	COLLAR	1	1	
7	4B5-27437-00	WASHER, SPECIAL	1	1	
8	B7M-27441-00	FOOTREST, REAR 2	1	1	
9	91402-20012	PIN, COTTER	1	1	
10	91702-06038	PIN, CLEVIS	1	1	
11	90501-15001	SPRING, COMPRESSION	1	1	
12	93501-04011	BALL	1	1	
13	90387-064H8	COLLAR	1	1	
14	4B5-27437-00	WASHER, SPECIAL	1	1	
15	B7M-27111-00	STAND, MAIN	1	1	
16	90506-40007	SPRING, TENSION	1	1	
17	BC3-2247A-00	HOSE 1	1	1	
18	90109-10067	BOLT	2	2	
19	90185-10060	NUT, SELF-LOCKING	2	2	
20	BC3-27151-00	BRACKET, MAIN STAND	1	1	
21	36C-27114-00	STOPPER, MAIN STAND	1	1	
22	90105-10283	BOLT, FLANGE	2	2	
23	90185-10022	NUT, SELF-LOCKING	2	2	
24	B7M-27152-00	BRACKET, MAIN STAND 2	1	1	
25	90105-10283	BOLT, FLANGE	1	1	
26	90101-10046	BOLT	1	1	
27	90185-10022	NUT, SELF-LOCKING	1	1	

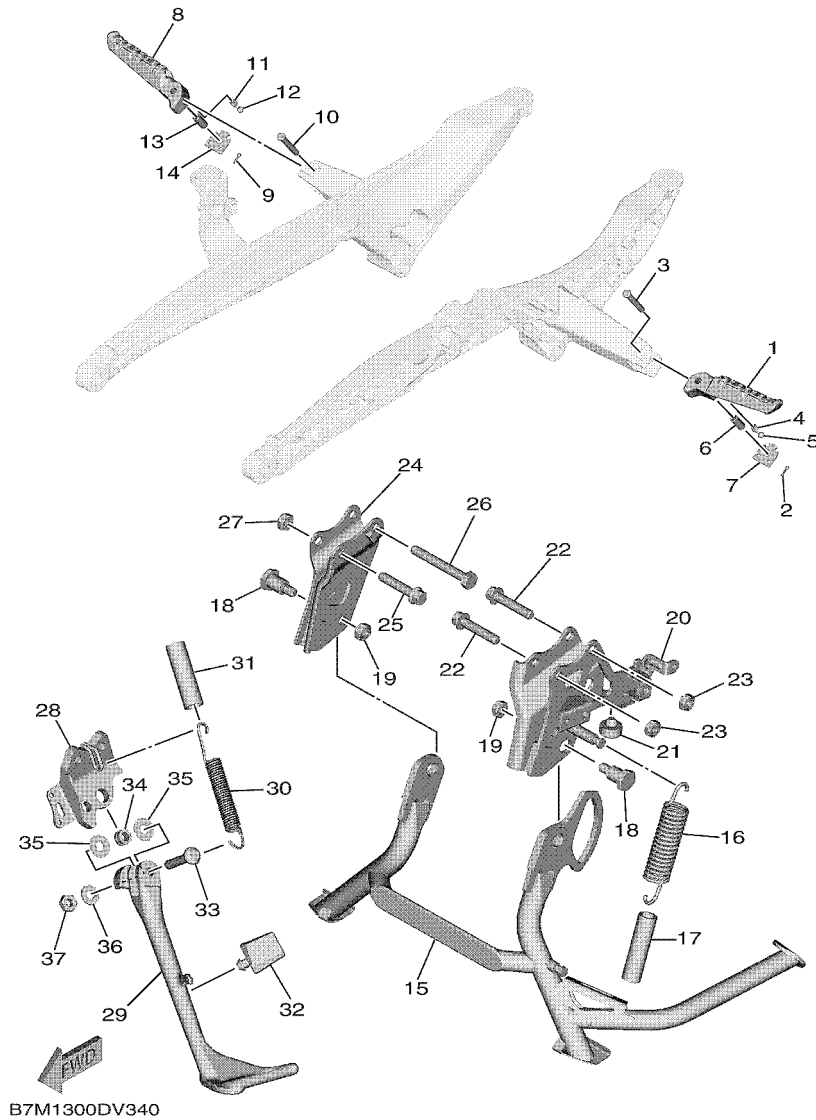
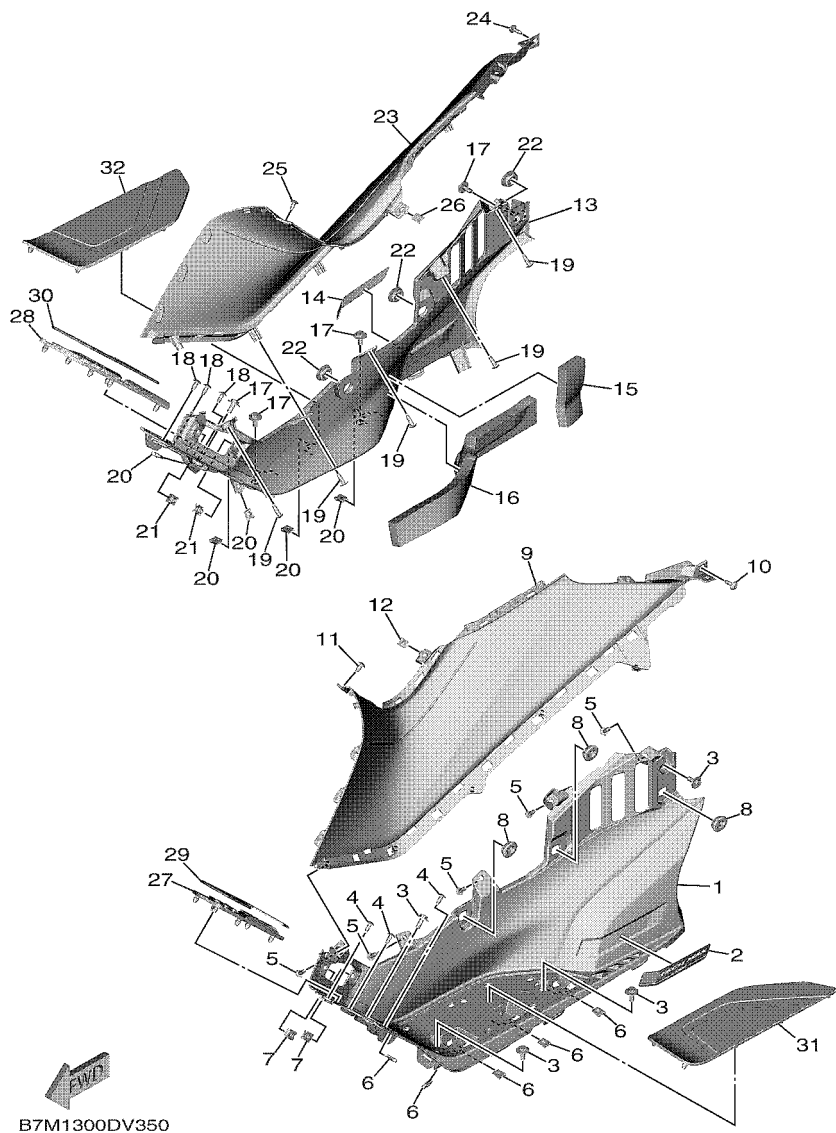


FIG. 34 STAND & FOOTREST

REF. NO.	PART NO.	DESCRIPTION	B7M7	B7M8	REMARKS
28	BC3-27321-00	BRACKET, SIDE STAND	1	1	
29	59C-27311-00	STAND, SIDE	1	1	
30	90506-23014	SPRING, TENSION	1	1	
31	90445-217G3	HOSE (L70)	1	1	
32	BC3-27114-00	STOPPER, MAIN STAND	1	1	
33	90111-10007	BOLT,HEX. SOCKET BUTTON	1	1	
34	90387-10020	COLLAR	1	1	
35	90201-10051	WASHER, PLATE	2	2	
36	90201-10035	WASHER, PLATE	1	1	
37	90185-10012	NUT, SELF-LOCKING	1	1	

FIG. 35 STAND & FOOTREST 2



REF. NO.	PART NO.	DESCRIPTION			REMARKS
			B7M7	B7M8	
1	BC3-27481-00	BOARD, FOOTREST	1	1	
2	B7M-27453-01	COVER 1	1	1	
3	90119-06235	BOLT, WITH WASHER	4	4	
4	97702-50012	SCREW, TAPPING	3	3	
5	97702-50016	SCREW, TAPPING	5	5	
6	90183-05042	NUT, SPRING	5	5	
7	90183-060A6	NUT, SPRING	2	2	
8	90480-01559	GROMMET	3	3	
9	BC3-2837L-00	PANEL, CONSOLE 1	1	1	
10	90109-05018	BOLT	1	1	
11	97702-50012	SCREW, TAPPING	1	1	
12	90183-05042	NUT, SPRING	1	1	
13	BC3-27488-00	BOARD, FOOTREST 2	1	1	
14	B7M-27463-01	COVER 2	1	1	
15	90520-20009	DAMPER, PLATE	1	1	
16	90520-20011	DAMPER, PLATE	1	1	
17	90119-06235	BOLT, WITH WASHER	4	4	
18	97702-50012	SCREW, TAPPING	3	3	
19	97702-50016	SCREW, TAPPING	5	5	
20	90183-05042	NUT, SPRING	5	5	
21	90183-060A6	NUT, SPRING	2	2	
22	90480-01559	GROMMET	3	3	
23	BC3-2837M-00	PANEL, CONSOLE 2	1	1	
24	90109-05018	BOLT	1	1	
25	97702-50012	SCREW, TAPPING	1	1	
26	90183-05042	NUT, SPRING	1	1	
27	2PW-27483-00	MAT 1	1	1	

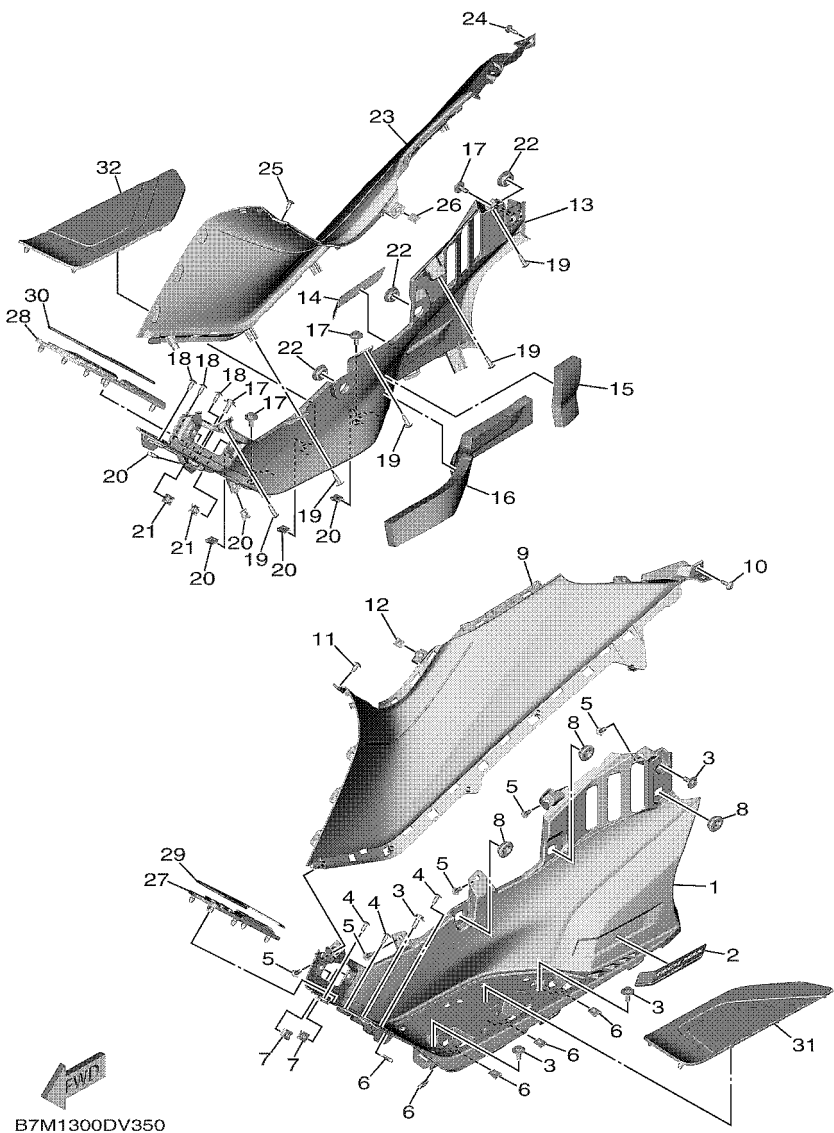


FIG. 35 STAND & FOOTREST 2

REF. NO.	PART NO.	DESCRIPTION			REMARKS
			B7M7	B7M8	
28	2PW-27484-00	MAT 2	1	1	
29	2PW-27413-00	COVER, FOOTREST	1	1	
30	2PW-27423-00	COVER, FOOTREST	1	1	
31	BC3-27493-00	MAT 3	1	1	
32	BC3-27494-00	MAT 4	1	1	

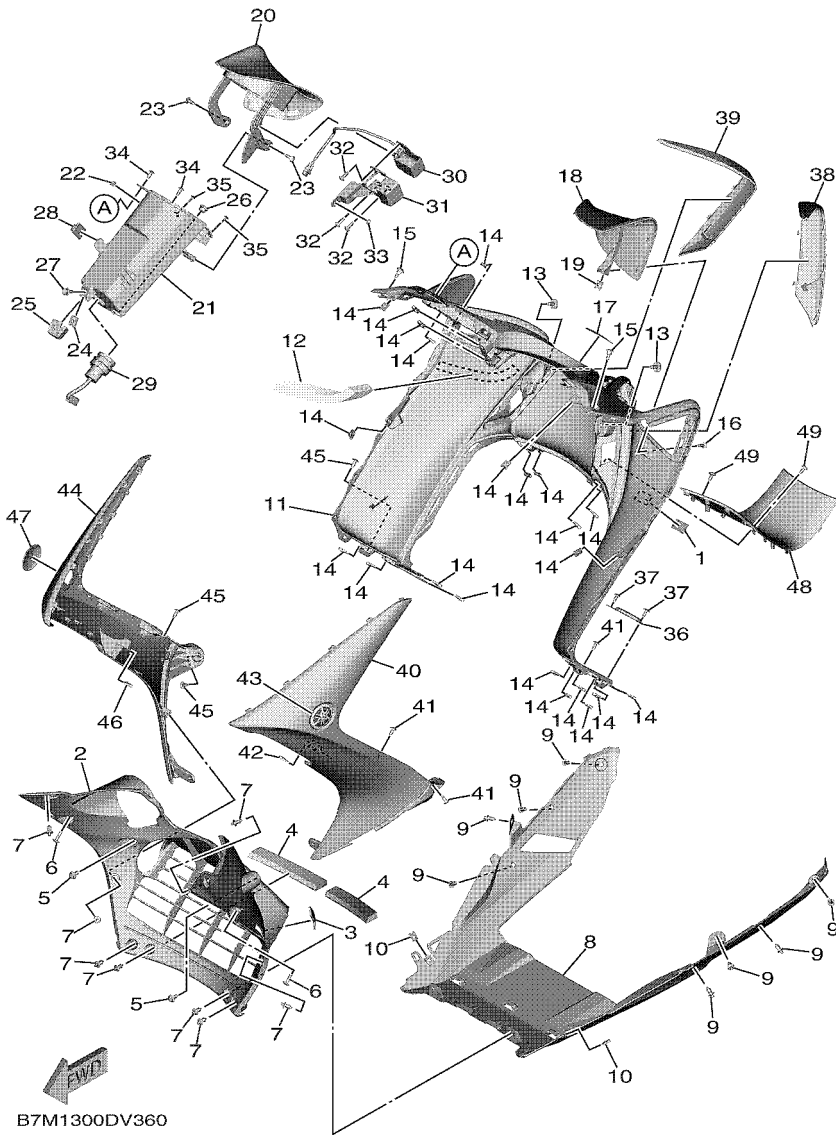


FIG. 36 LEG SHIELD

REF. NO.	PART NO.	DESCRIPTION	B7M7	B7M8	REMARKS
1	26P-21568-01	LABEL, WARNING	1	1	
2	B7M-21557-00	DUCT, AIR	1	1	
3	3XV-21778-00	DAMPER, LOCATING 1	1	1	
4	90520-10015	DAMPER, PLATE	2	2	
5	90109-06264	BOLT	2	2	
6	90167-05076	SCREW, TAPPING	2	2	
7	90269-06008	RIVET	8	8	
8	BC3-21553-00	FENDER, INNER 2	1	1	
9	90269-06008	RIVET	8	8	
10	90183-05042	NUT, SPRING	2	2	
11	BC3-28311-00	LEG SHIELD 1	1	1	
12	5EA-2174Y-00	DAMPER	1	1	
13	90159-06021	SCREW, WITH WASHER	2	2	
14	90183-05042	NUT, SPRING	22	22	
15	90109-05018	BOLT	2	2	
16	90169-05001	TAPPING SCREW	1	1	
17	4B5-26031-00	EMBLEM, 3D	1	1	
18	BC3-28313-00	LID	1	1	
19	90183-05042	NUT, SPRING	1	1	
20	BC3-W283B-12	LID ASSY	1	1	
21	BC3-W28AL-02	BOX ASSY	1	1	
22	BC3-2836T-00	DAMPER, LOCATING 1	1	1	
23	97702-50016	SCREW, TAPPING	6	6	
24	90183-060A6	NUT, SPRING	1	1	
25	BC3-28227-00	DAMPER 2	1	1	
26	90338-10132	PLUG	1	1	
27	90159-06022	SCREW, WITH WASHER	1	1	

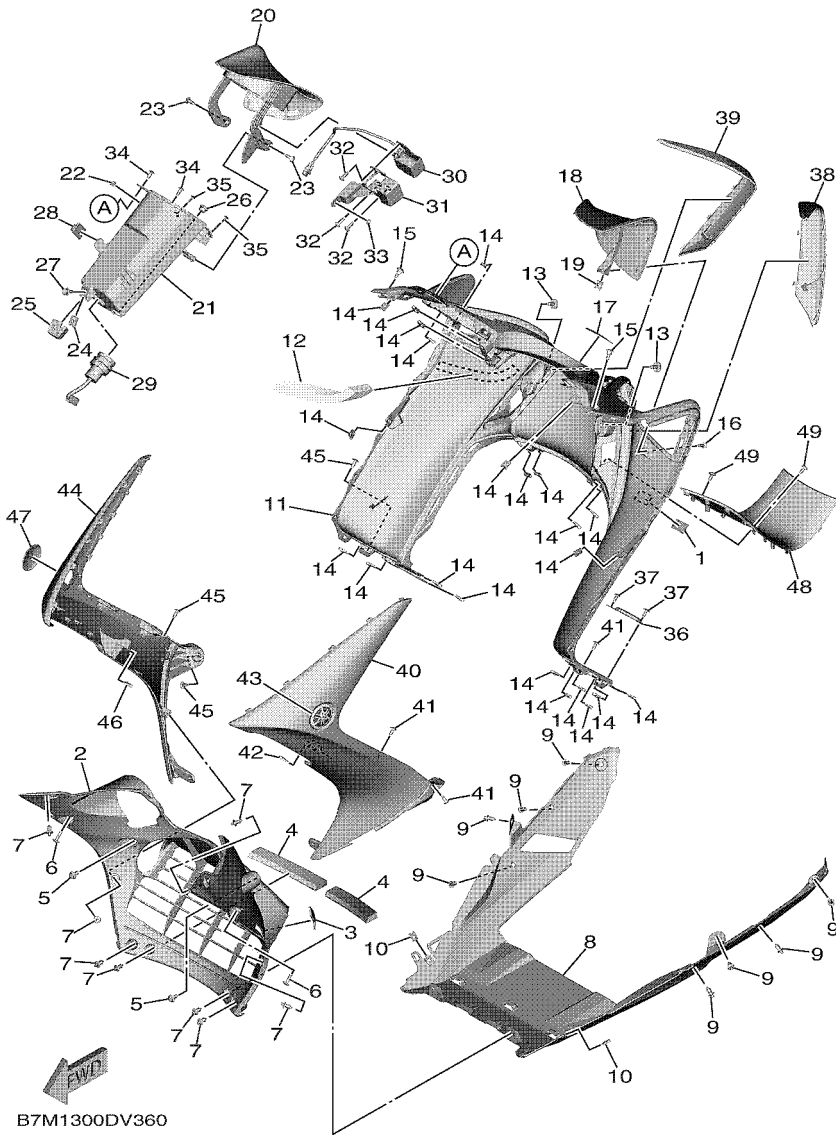


FIG. 36 LEG SHIELD

REF. NO.	PART NO.	DESCRIPTION	B7M7	B7M8	REMARKS
28	90464-25160	CLAMP	1	1	
29	BC3-8254B-00	TERMINAL COMP.	1	1	
30	BC3-86111-10	COIL, SOLENOID	1	1	
31	BC3-2834V-00	PROTECTOR 1	1	1	
32	97702-50016	SCREW, TAPPING	3	3	
33	90183-05M02	NUT, SPRING	1	1	
34	97707-50012	SCREW, TRUSS HEAD TAPPING	2	2	
35	90269-03001	RIVET	2	2	
36	BC3-2842M-00	COVER 1	1	1	
37	97707-50012	SCREW, TRUSS HEAD TAPPING	2	2	
38	BC3-28345-A0	MOLE 1	1	1	
39	BC3-28346-A0	MOLE 2	1	1	
40	B7M-2835U-00-P0	PANEL 1	1	1	UR MBL2 FOR MDNMA
	B7M-2835U-00-P1	PANEL 1	1	1	UR SMX FOR PGD
41	97702-50012	SCREW, TAPPING	3	3	
42	90183-05042	NUT, SPRING	1	1	
43	1RC-2413B-01	EMBLEM	1	1	
44	B7M-2835V-00-P0	PANEL 2	1	1	UR MBL2 FOR MDNMA
	B7M-2835V-00-P1	PANEL 2	1	1	UR SMX FOR PGD
45	97702-50012	SCREW, TAPPING	3	3	
46	90183-05042	NUT, SPRING	1	1	
47	1RC-2413B-01	EMBLEM	1	1	
48	B7M-28365-00	COVER	1	1	
49	90167-05079	SCREW, TAPPING	2	2	

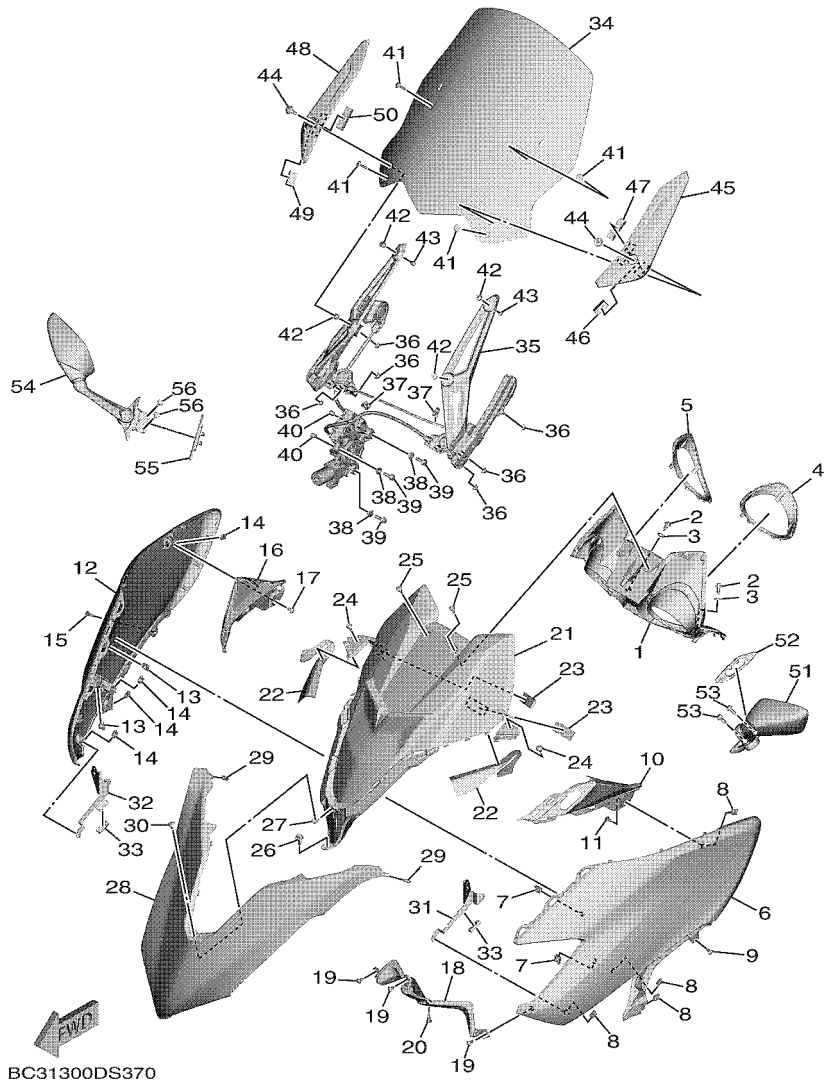
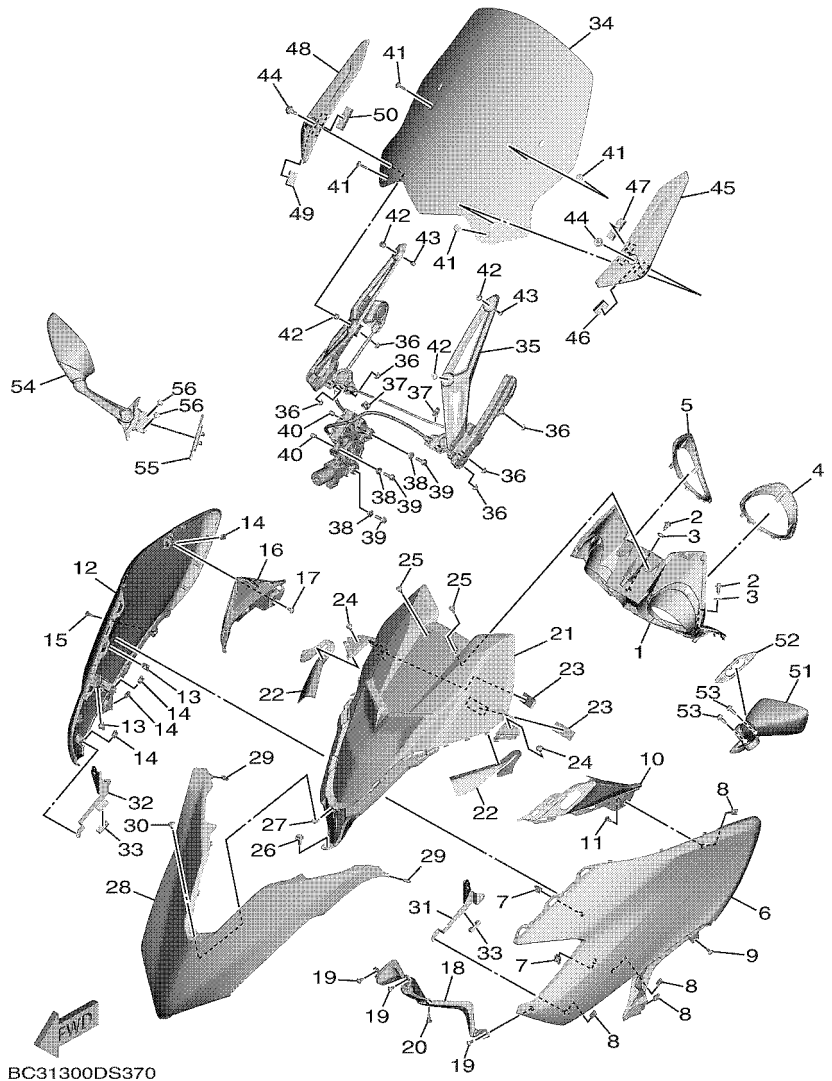


FIG. 37 WINDSHIELD

REF. NO.	PART NO.	DESCRIPTION	B7M7	B7M8	REMARKS
1	BC3-2836K-00	PANEL, INNER 1	1	1	
2	90269-07007	RIVET	2	2	
3	13S-2173M-00	SEAL 3	2	2	
4	BC3-2331M-A0	COVER, RING	1	1	
5	BC3-2331N-A0	COVER, RING	1	1	
6	BC3-28351-00-P7	BODY, COWLING	1	1	UR FOR MDNMA
	BC3-28351-00-3E	BODY, COWLING	1	1	UR FOR PGD
7	90183-060A6	NUT, SPRING	2	2	
8	90183-05042	NUT, SPRING	4	4	
9	97702-50012	SCREW, TAPPING	1	1	
10	BC3-28306-00	PLATE, WINDSHIELD	1	1	
11	97702-50012	SCREW, TAPPING	1	1	
12	BC3-28377-00-P7	BODY, COWLING 2	1	1	UR FOR MDNMA
	BC3-28377-00-3E	BODY, COWLING 2	1	1	UR FOR PGD
13	90183-060A6	NUT, SPRING	2	2	
14	90183-05042	NUT, SPRING	4	4	
15	97702-50012	SCREW, TAPPING	1	1	
16	BC3-2835P-00	PLATE, WINDSHIELD 2	1	1	
17	97702-50012	SCREW, TAPPING	1	1	
18	BC3-22863-00	COVER, UNDER	1	1	
19	97702-50012	SCREW, TAPPING	3	3	
20	90269-06008	RIVET	1	1	
21	BC3-2836L-00	PANEL, INNER 2	1	1	
22	BC3-21521-00	FLAP, FRONT FENDER	2	2	
23	BC3-28237-00	DAMPER 3	2	2	
24	90167-05079	SCREW, TAPPING	2	2	
25	90269-06008	RIVET	2	2	



BC31300DS370

FIG. 37 WINDSHIELD

REF. NO.	PART NO.	DESCRIPTION	B7M7	B7M8	REMARKS
26	90119-06156	BOLT, WITH WASHER	1	1	
27	90183-05076	NUT, SPRING	1	1	
28	BC3-22865-01-P7	COVER, FRONT	1	1	UR FOR MDNMA
	BC3-22865-01-3E	COVER, FRONT	1	1	UR FOR PGD
29	90183-05076	NUT, SPRING	2	2	
30	B7M-28331-00	BOLT, LEG SHIELD	1	1	
31	BC3-28427-00	REINFORCEMENT 1	1	1	
32	BC3-28437-00	REINFORCEMENT 2	1	1	
33	5B6-23455-00	DAMPER	2	2	
34	BC3-2837U-00	SCREEN	1	1	
35	BC3-83306-00	DRIVE UNIT ASSY	1	1	
36	95702-06500	NUT, FLANGE	6	6	
37	90464-12001	CLAMP	2	2	
38	90387-06107	COLLAR	3	3	
39	95D32-06020	BOLT, FLANGE DEEP RECESS	3	3	
40	90445-05003	HOSE	2	2	
41	90154-05006	SCREW, BINDING	4	4	
42	90179-05003	NUT	4	4	
43	BC3-28349-00	CAP	2	2	
44	90269-08007	RIVET	2	2	
45	BC3-2842A-00	COVER 5	1	1	
46	4WV-84345-00	DAMPER, HEADLIGHT	1	1	
47	JX4-78329-00	SPACER 2	1	1	
48	BC3-2843C-00	COVER 6	1	1	
49	4WV-84345-00	DAMPER, HEADLIGHT	1	1	
50	JX4-78329-00	SPACER 2	1	1	
51	BC3-26280-00	REAR VIEW MIRROR ASSY (LEFT)	1	1	

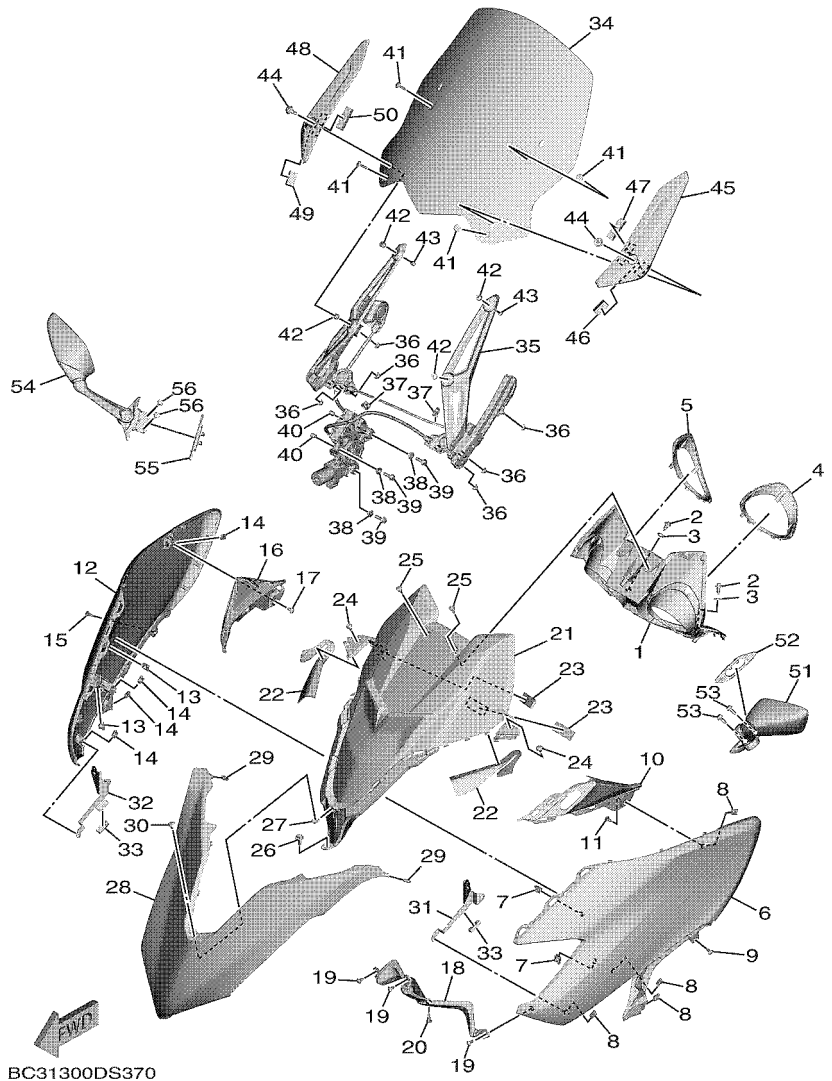
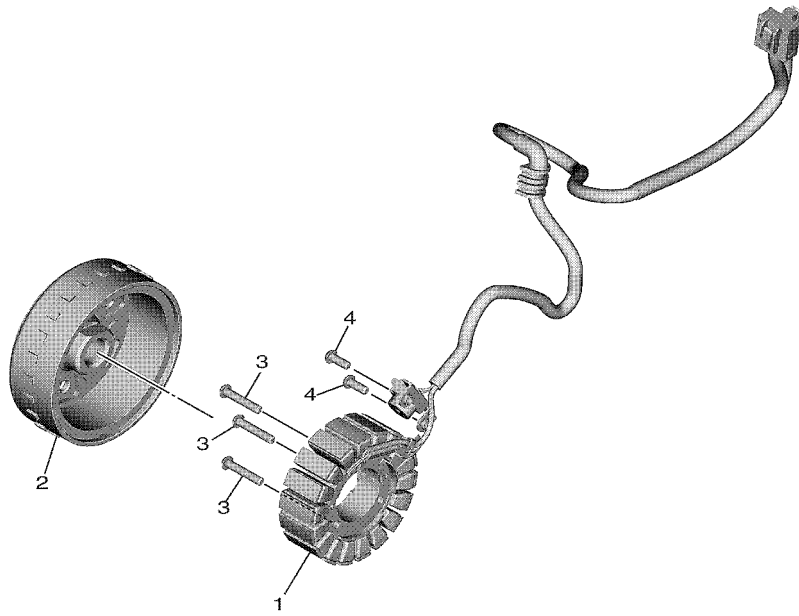


FIG. 37 WINDSHIELD

REF. NO.	PART NO.	DESCRIPTION			REMARKS
			B7M7	B7M8	
52	59C-2628N-00	BASE, MIRROR (LEFT)	1	1	
53	95D32-06016	BOLT, FLANGE DEEP RECESS	2	2	
54	BC3-26290-00	REAR VIEW MIRROR ASSY (RIGHT)	1	1	
55	59C-2628R-00	BASE, MIRROR (RIGHT)	1	1	
56	95D32-06016	BOLT, FLANGE DEEP RECESS	2	2	

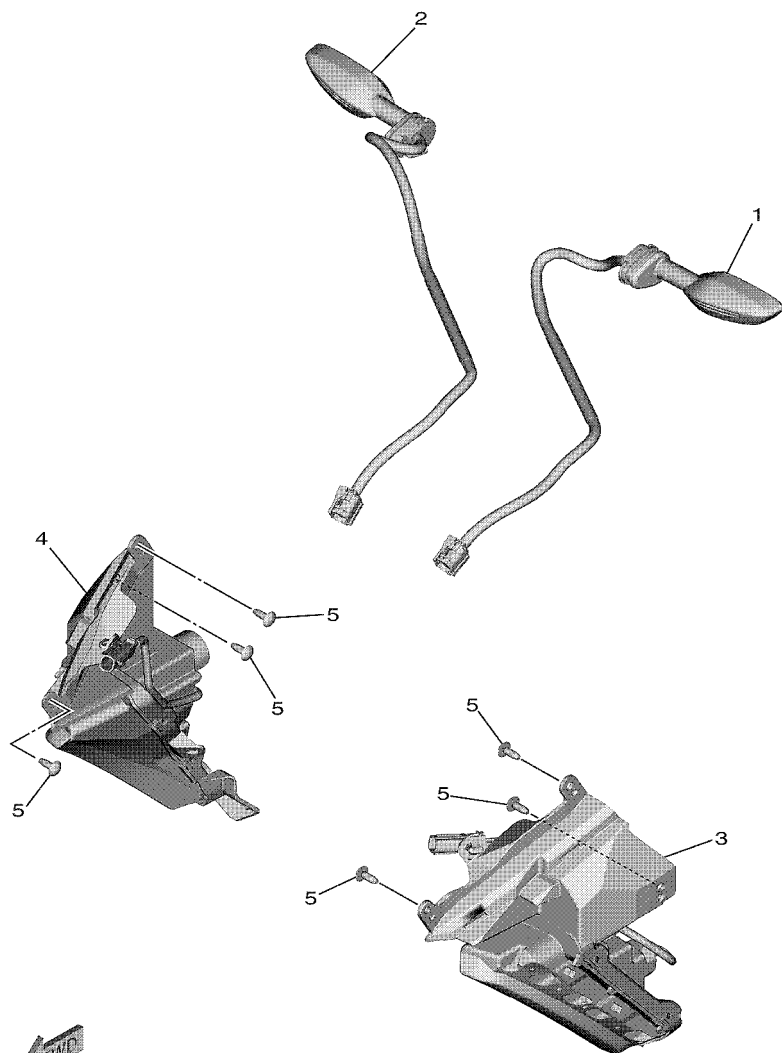
FIG. 38 GENERATOR



← EMD
BC31300DS380

REF. NO.	PART NO.	DESCRIPTION			REMARKS
			B7M7	B7M8	
1	BC3-81410-00	STATOR ASSY	1	1	
2	B7M-81450-00	ROTOR ASSY	1	1	
3	90149-06093	SCREW	3	3	
4	90149-06082	SCREW	2	2	

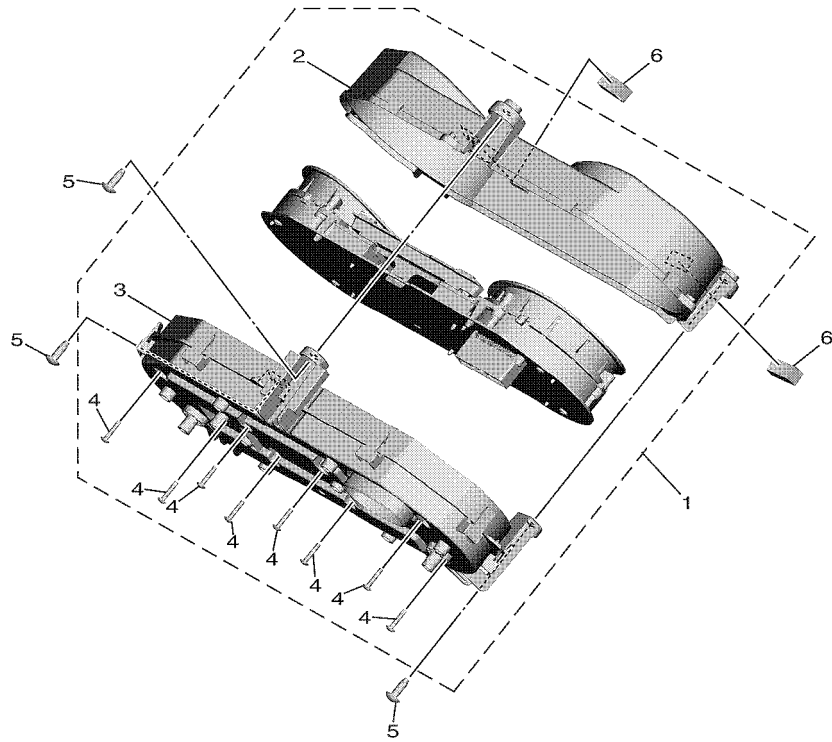
FIG. 39 FLASHER LIGHT



B7M1300DV390

REF. NO.	PART NO.	DESCRIPTION			REMARKS
			B7M7	B7M8	
1	BC3-83330-00	REAR FLASHER LIGHT ASSY 1	1	1	
2	BC3-83340-00	REAR FLASHER LIGHT ASSY 2	1	1	
3	B7M-83310-00	FRONT FLASHER LIGHT ASSY 1	1	1	
4	B7M-83320-00	FRONT FLASHER LIGHT ASSY 2	1	1	
5	97707-50014	SCREW, TRUSS HEAD TAPPING	6	6	

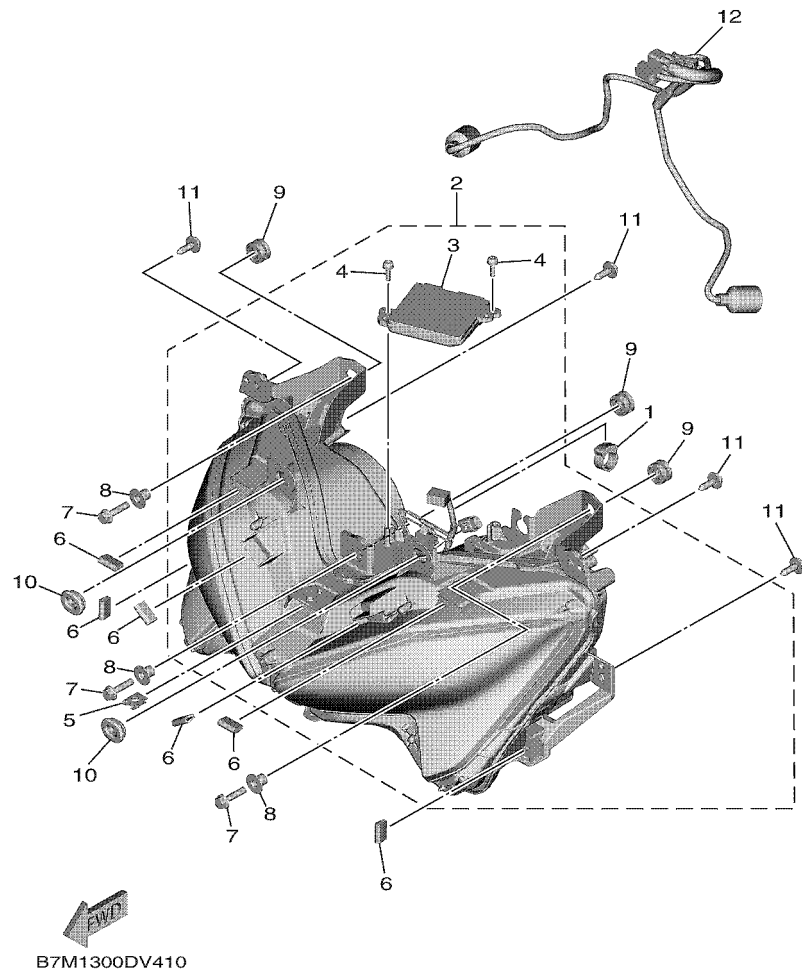
FIG. 40 METER




BC31300DS400

REF. NO.	PART NO.	DESCRIPTION	B7M7	B7M8	REMARKS
1	B7M-83500-00	METER ASSY (KM/H)	1	1	UR EXCEPT FOR GBR
	B7M-83500-10	METER ASSY (MPH)	1		UR FOR GBR
2	BC3-83511-01	.LENS, SPEEDOMETER	1	1	
3	BC3-83572-00	.CASE, SPEEDOMETER LOWER	1	1	
4	97702-30016	.SCREW,TAPPING	8	8	
5	97702-50016	SCREW,TAPPING	3	3	
6	2C0-2847N-00	DAMPER 8	2	2	

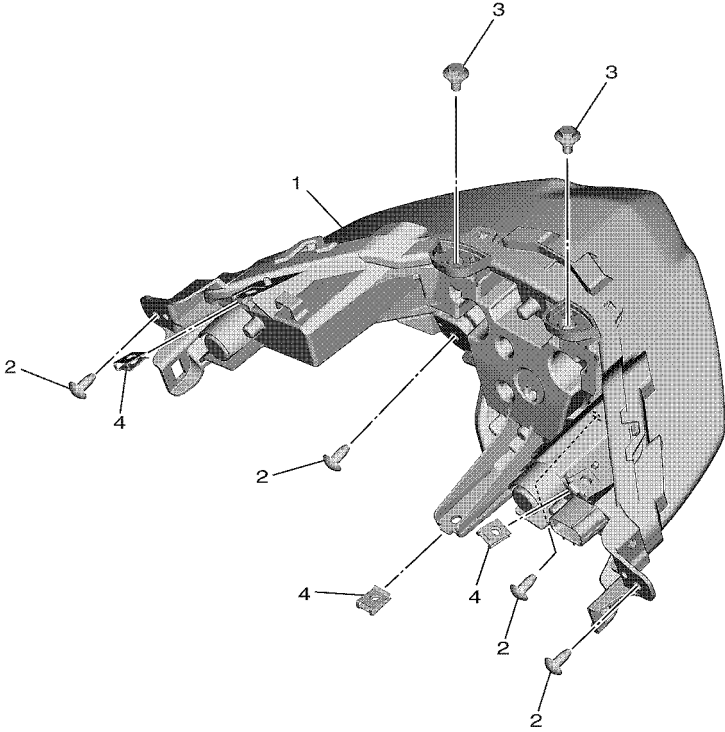
FIG. 41 HEADLIGHT



B7M1300DV410

REF. NO.	PART NO.	DESCRIPTION	B7M7	B7M8	REMARKS
1	90464-16003	CLAMP	1	1	
2	B7M-84300-00	HEADLIGHT ASSY	1	1	
3	B7M-85490-00	.LIGHT CONTROL UNIT	1	1	
4	2PW-84192-00	.SCREW, SPECIAL	2	2	
5	90183-06069	NUT, SPRING	1	1	
6	34B-24785-00	MOLD	6	6	
7	95D32-06025	BOLT, FLANGE DEEP RECESS	3	3	
8	90387-06161	COLLAR	3	3	
9	5PS-83513-00	DAMPER	3	3	
10	90480-01559	GROMMET	2	2	
11	90119-06156	BOLT, WITH WASHER	4	4	
12	B7M-84359-00	CORD, HEADLIGHT	1	1	

FIG. 42 TAILLIGHT




 B7M1300DV420

REF. NO.	PART NO.	DESCRIPTION	B7M7	B7M8				REMARKS
1	B7M-84710-00	TAILLIGHT UNIT ASSY	1	1				
2	97702-50012	SCREW, TAPPING	4	4				
3	90109-05019	BOLT	2	2				
4	90183-05042	NUT, SPRING	3	3				
<hr/>								
<hr/>								
<hr/>								
<hr/>								
<hr/>								
<hr/>								
<hr/>								
<hr/>								

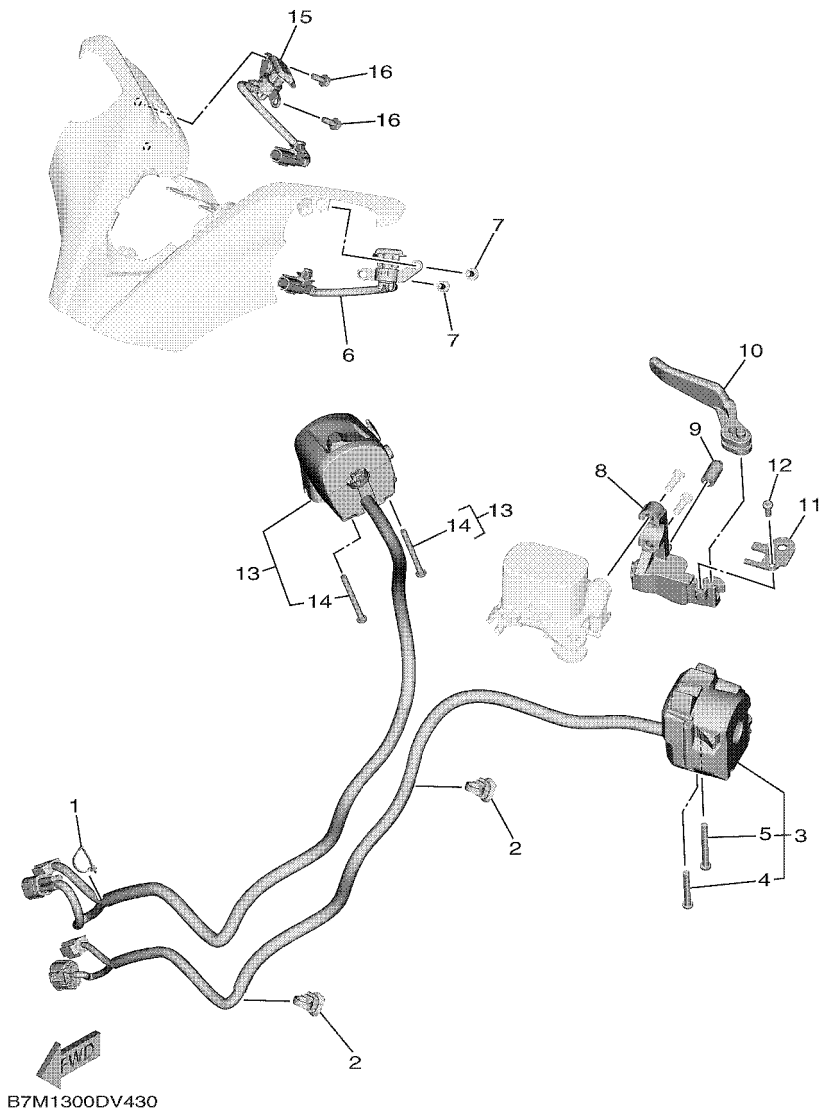


FIG. 43 HANDLE SWITCH & LEVER

REF. NO.	PART NO.	DESCRIPTION	B7M7	B7M8	REMARKS
1	90465-10098	CLAMP	1	1	
2	90464-25009	CLAMP	2	2	
3	BC3-83954-00	SWITCH, HANDLE 7	1	1	
4	98507-05040	.SCREW, PAN HEAD	1	1	
5	98507-05055	.SCREW, PAN HEAD	1	1	
6	B7M-82617-00	SWITCH	1	1	
7	90105-05025	BOLT, FLANGE	2	2	
8	BC3-26396-00	HOLDER, ADJUSTING	1	1	
9	5RB-13569-00	PLUG, BLIND	1	1	
10	5VU-83930-00	LEVER LOCK ASSY	1	1	
11	BC3-25727-00	BRACKET, LEVER	1	1	
12	98507-05012	SCREW, PAN HEAD	1	1	
13	BC3-83972-11	SWITCH, HANDLE 4	1	1	
14	98507-05050	.SCREW, PAN HEAD	2	2	
15	BC3-82627-00	SWITCH	1	1	
16	90105-05025	BOLT, FLANGE	2	2	

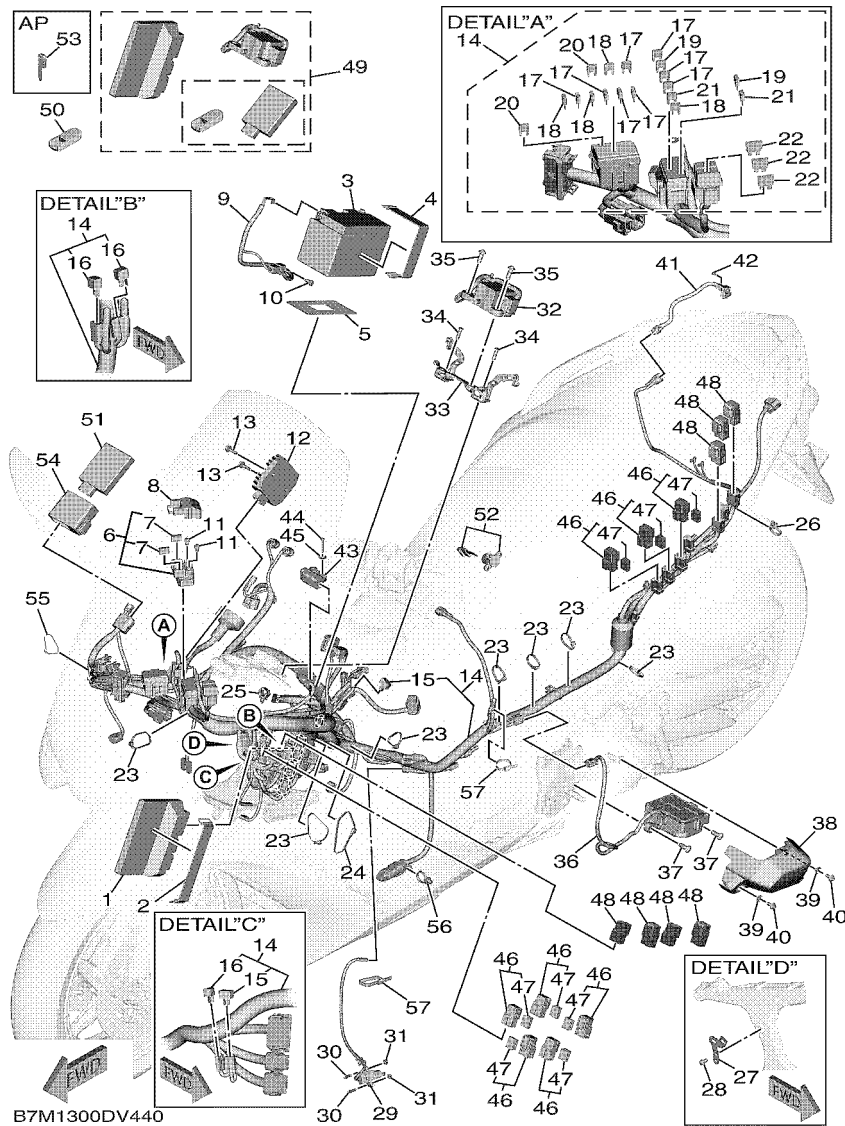


FIG. 44 ELECTRICAL 1

REF. NO.	PART NO.	DESCRIPTION	B7M7	B7M8	REMARKS
1	B7M-8591A-01	ENGINE CONTROL UNIT ASSY	1		
2	137-82131-01	BAND, BATTERY	1		
3	23P-82100-00	BATTERY ASSY (GS YUASA YTZ12S)	1		
4	137-82131-01	BAND, BATTERY	1		
5	BC3-82121-00	PAD, BATTERY	1		
6	BC3-81940-00	STARTER RELAY ASSY	1		
7	5EA-82151-00	.FUSE (40A-BL)	2		
8	5SL-82119-10	COVER, LEAD WIRE	1		
9	BC3-82116-00	WIRE, MINUS LEAD	1		
10	91380-06012	BOLT	1		
11	95022-06008	BOLT, FLANGE	2		
12	5VX-81960-00	RECTIFIER & REGULATOR ASSY	1		
13	95D32-06020	BOLT, FLANGE DEEP RECESS	2		
14	B7M-82590-01	WIRE HARNESS ASSY	1		
15	4WA-81980-00	.DIODE ASSY	2		
16	3WP-81980-00	.DIODE ASSY	3		
17	5JJ-82151-00	.FUSE (7.5A-BL)	8		
18	5JJ-82151-10	.FUSE (15A-BL)	4		
19	5JJ-82151-80	.FUSE (2A-BL)	2		
20	5JJ-82151-20	.FUSE (20A-BL)	2		
21	5JJ-82151-60	.FUSE (30A-BL)	2		
22	1MC-82151-00	.FUSE (1A-BL)	3		
23	1UA-82591-00	BAND	7		
24	3MA-82591-00	BAND	1		
25	90464-30010	CLAMP	1		
26	90464-12018	CLAMP	1		
27	B7M-1244F-00	BRACKET 2	1		

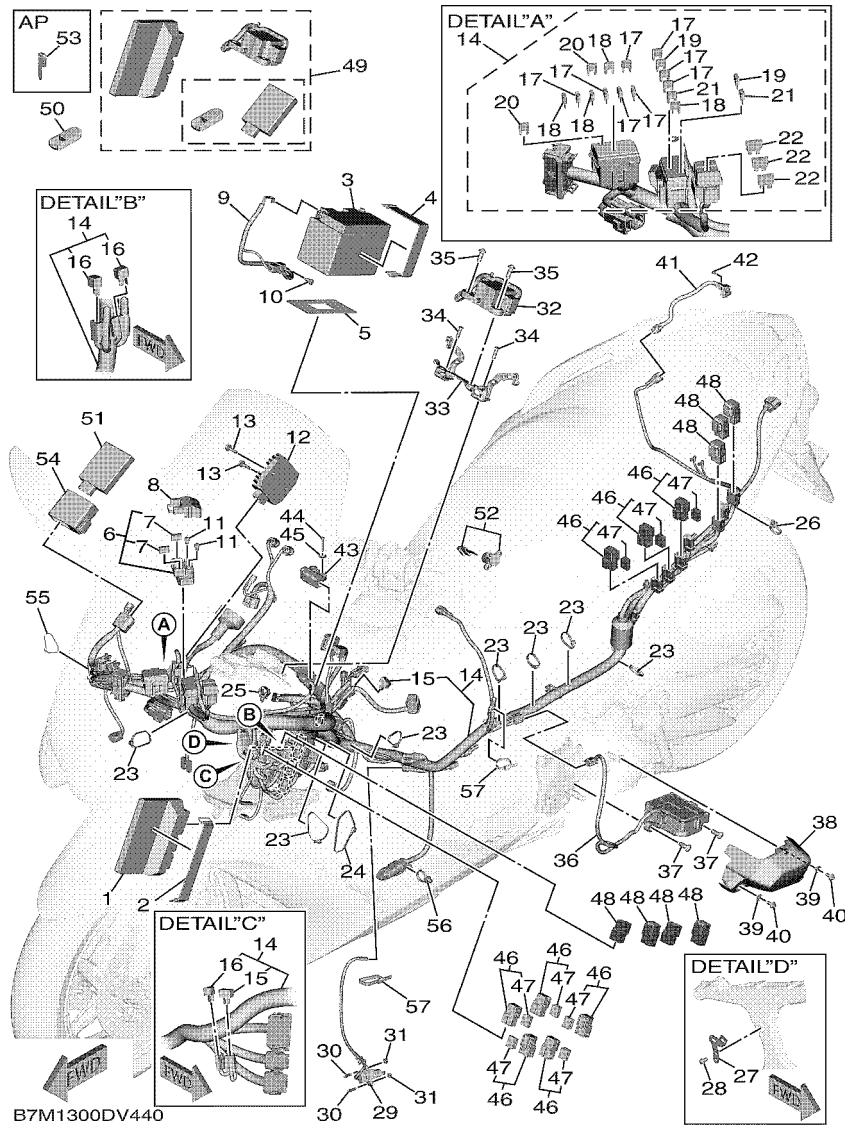


FIG. 44 ELECTRICAL 1

REF. NO.	PART NO.	DESCRIPTION	B7M7	B7M8	REMARKS
28	95022-06010	BOLT, FLANGE	1		
29	BC3-82566-00	SWITCH, SIDE STAND	1		
30	92012-05020	BOLT, BUTTON HEAD	2		
31	95602-05200	NUT, SELF-LOCKING	2		
32	BC3-23480-00	STEERING LOCK ASSY	1		
33	BC3-2137F-00	STAY 1	1		
34	90109-060G4	BOLT	2		
35	90109-08261	BOLT	2		
36	BC3-27180-01	LOCK ASSY	1		
37	90109-08261	BOLT	2		
38	BC3-8252U-00	COVER	1		
39	90387-06130	COLLAR	2		
40	90111-06092	BOLT, HEX. SOCKET BUTTON	2		
41	59C-81860-01	SWITCH ASSY	1		
42	98902-03008	SCREW, BIND	1		
43	5PS-82576-01	SENSOR, LEAN ANGLE	1		
44	91312-04025	BOLT, HEXAGON SOCKET HEAD	2		
45	90201-04325	WASHER, PLATE	2		
46	1ST-81950-00	RELAY ASSY (1ST-00)	8		
47	5JJ-81952-00	.HOLDER, RELAY	1		
48	5JJ-81950-11	RELAY ASSY (G8HN-1C4T-DJ-Y51)	7		
49	B7M-W862A-20	REMOTE CONTROL UNIT SET	1		
50	B7M-86261-00	XMTR. COMP.	1		
51	B7M-86265-00	RECEIVER COMPLETE	1		
52	2DF-82021-00	KEY SET	1		
53	2DF-82511-09	BLANK KEY	1		AP
54	2PW-85546-00	BAND	1		

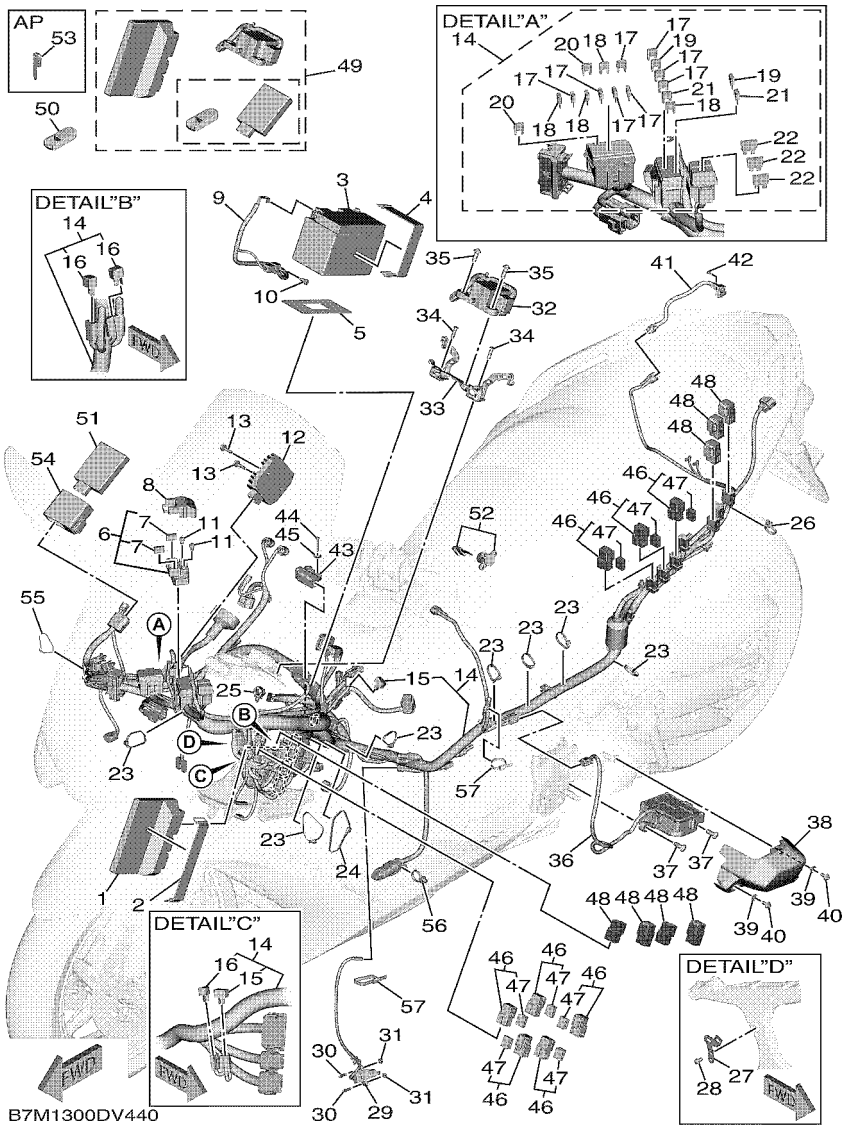


FIG. 44 ELECTRICAL 1

REF. NO.	PART NO.	DESCRIPTION	B7M7	B7M8	REMARKS
55	5Y9-12491-00	CLAMP 1	1		
56	90464-30011	CLAMP	1		
57	90464-13073	CLAMP	2		(125.0x7.0)

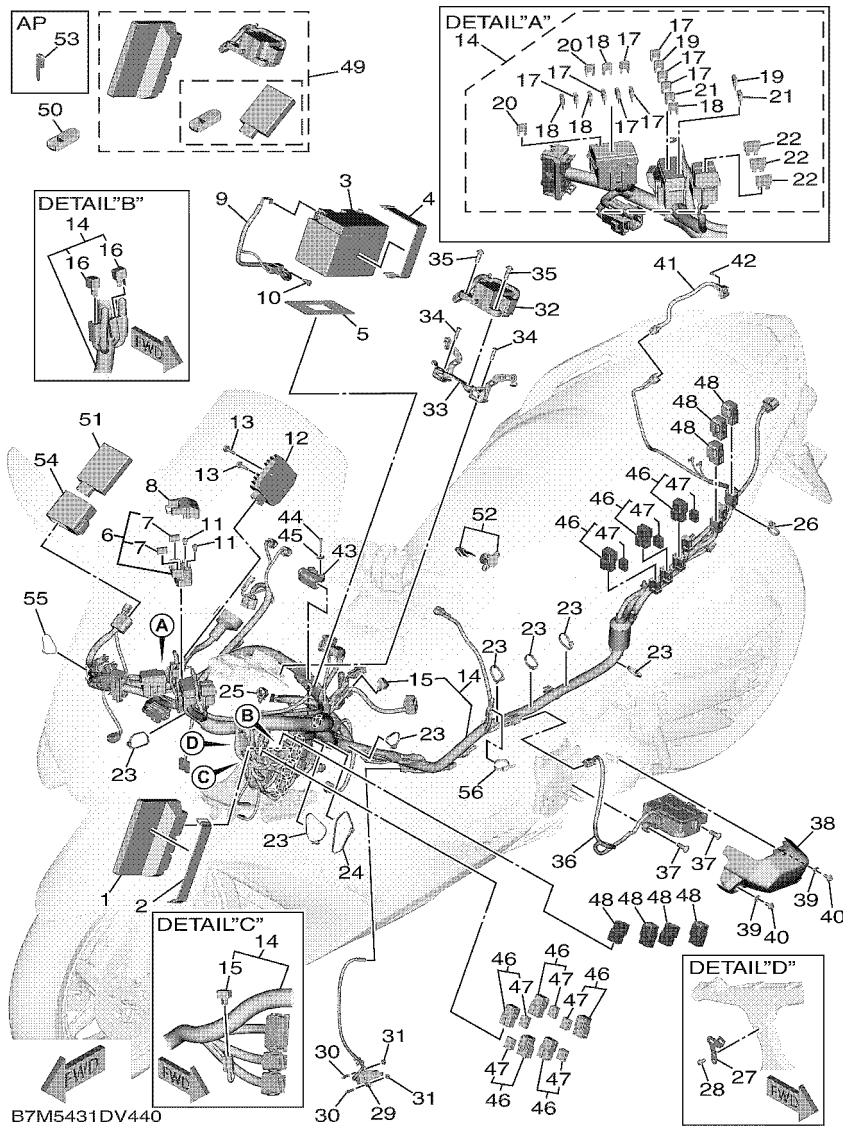


FIG. 45 ELECTRICAL 2

REF. NO.	PART NO.	DESCRIPTION	B7M7	B7M8	REMARKS
1	B7M-8591A-20	ENGINE CONTROL UNIT ASSY		1	
2	137-82131-01	BAND, BATTERY		1	
3	23P-82100-00	BATTERY ASSY (GS YUASA YTZ12S)		1	
4	137-82131-01	BAND, BATTERY		1	
5	BC3-82121-00	PAD, BATTERY		1	
6	BC3-81940-00	STARTER RELAY ASSY		1	
7	5EA-82151-00	.FUSE (40A-BL)		2	
8	5SL-82119-10	COVER, LEAD WIRE		1	
9	BC3-82116-00	WIRE, MINUS LEAD		1	
10	91380-06012	BOLT		1	
11	95022-06008	BOLT, FLANGE		2	
12	5VX-81960-00	RECTIFIER & REGULATOR ASSY		1	
13	95D32-06020	BOLT, FLANGE DEEP RECESS		2	
14	B7M-82590-11	WIRE HARNESS ASSY		1	
15	4WA-81980-00	.DIODE ASSY		2	
16	3WP-81980-00	.DIODE ASSY		2	
17	5JJ-82151-00	.FUSE (7.5A-BL)		8	
18	5JJ-82151-10	.FUSE (15A-BL)		4	
19	5JJ-82151-80	.FUSE (2A-BL)		2	
20	5JJ-82151-20	.FUSE (20A-BL)		2	
21	5JJ-82151-60	.FUSE (30A-BL)		2	
22	1MC-82151-00	.FUSE (1A-BL)		3	
23	1UA-82591-00	BAND		7	
24	3MA-82591-00	BAND		1	
25	90464-30010	CLAMP		1	
26	90464-12018	CLAMP		1	
27	B7M-1244F-00	BRACKET 2		1	

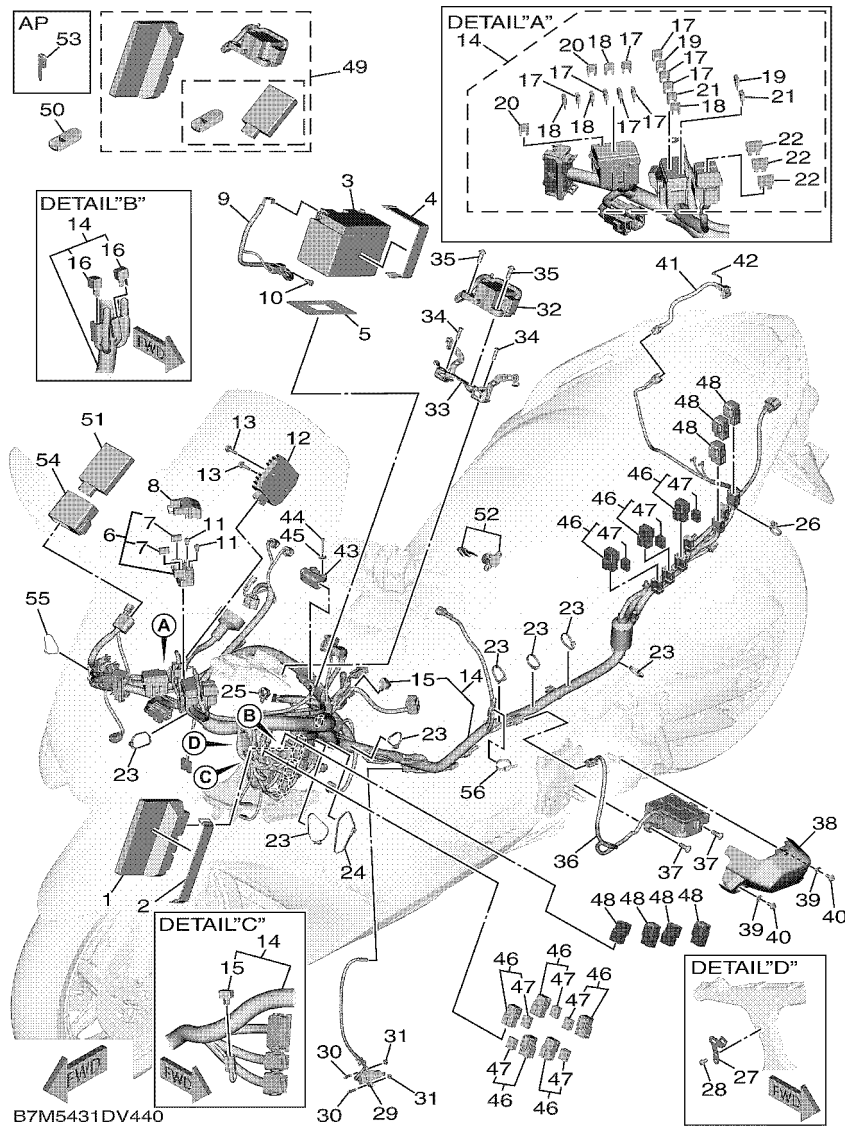


FIG. 45 ELECTRICAL 2

REF. NO.	PART NO.	DESCRIPTION	B7M7	B7M8	REMARKS
28	95022-06010	BOLT, FLANGE		1	
29	BC3-82566-00	SWITCH, SIDE STAND		1	
30	92012-05020	BOLT, BUTTON HEAD		2	
31	95602-05200	NUT, SELF-LOCKING		2	
32	BC3-23480-00	STEERING LOCK ASSY		1	
33	BC3-2137F-00	STAY 1		1	
34	90109-060G4	BOLT		2	
35	90109-08261	BOLT		2	
36	BC3-27180-01	LOCK ASSY		1	
37	90109-08261	BOLT		2	
38	BC3-8252U-00	COVER		1	
39	90387-06130	COLLAR		2	
40	90111-06092	BOLT,HEX. SOCKET BUTTON		2	
41	59C-81860-01	SWITCH ASSY		1	
42	98902-03008	SCREW, BIND		1	
43	5PS-82576-01	SENSOR, LEAN ANGLE		1	
44	91312-04025	BOLT, HEXAGON SOCKET HEAD		2	
45	90201-04325	WASHER, PLATE		2	
46	1ST-81950-00	RELAY ASSY (1ST-00)		8	
47	5JJ-81952-00	.HOLDER, RELAY		1	
48	5JJ-81950-11	RELAY ASSY (G8HN-1C4T-DJ-Y51)		7	
49	B7M-W862A-00	REMOTE CONTROL UNIT SET		1	
50	B7M-86261-00	XMTR. COMP.		1	
51	B7M-86265-00	RECEIVER COMPLETE		1	
52	2DF-82021-00	KEY SET		1	
53	2DF-82511-09	BLANK KEY		1	AP
54	2PW-85546-00	BAND		1	

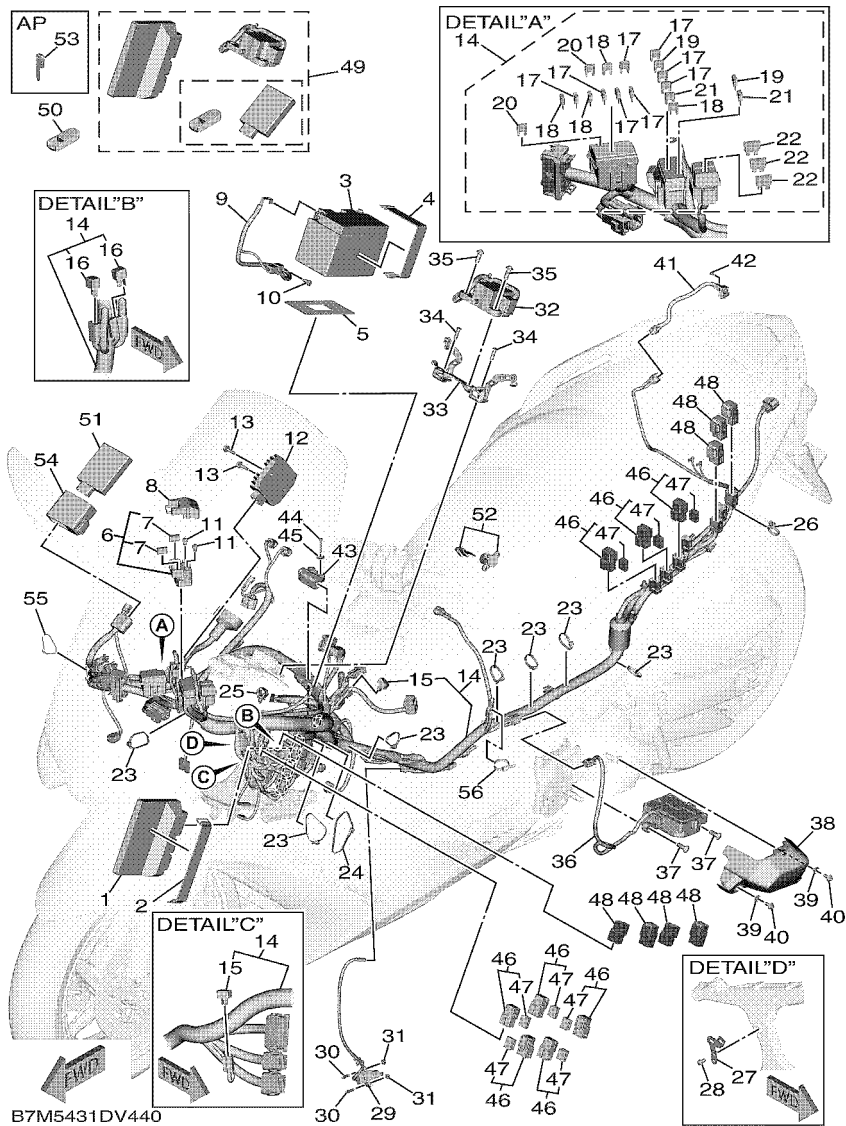
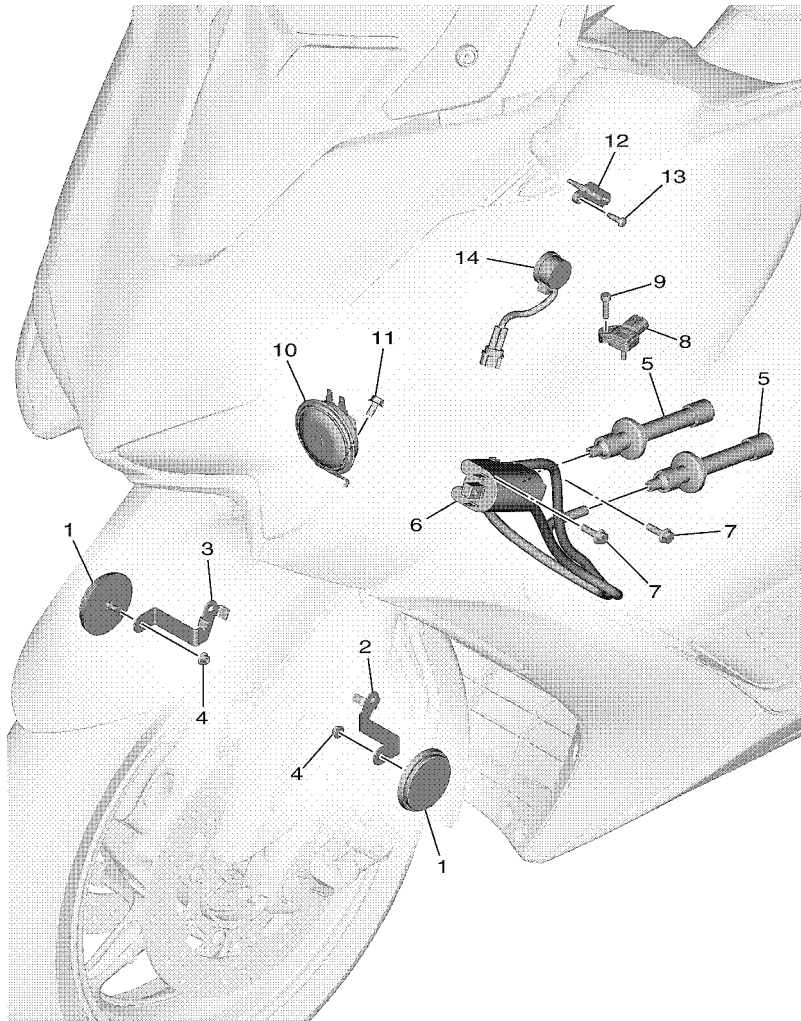


FIG. 45 ELECTRICAL 2

REF. NO.	PART NO.	DESCRIPTION	B7M7	B7M8	REMARKS
55	5Y9-12491-00	CLAMP 1		1	
56	90464-13073	CLAMP		2	(125.0x7.0)

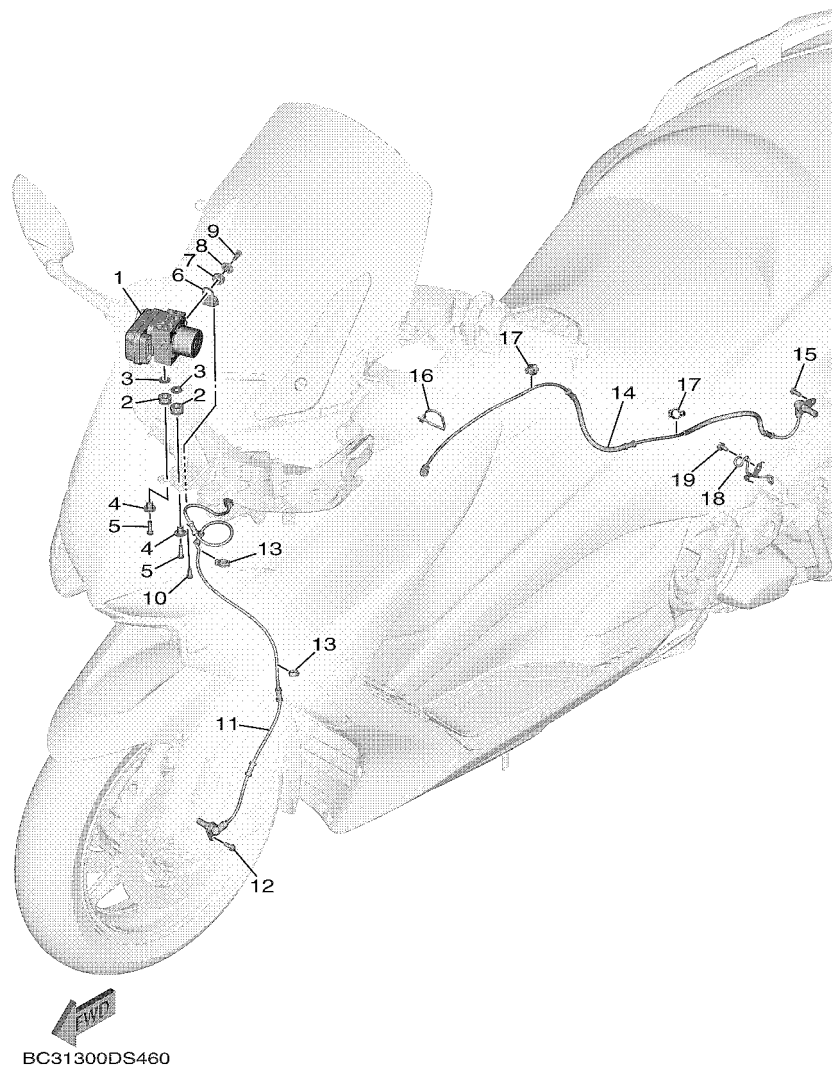



 B7M1300DV450

FIG. 46 ELECTRICAL 3

REF. NO.	PART NO.	DESCRIPTION	B7M7	B7M8	REMARKS
1	59C-85131-00	REFLECTOR, REAR 1	2	2	
2	2PW-85112-00	BRACKET, REFLECTOR 1	1	1	
3	2PW-85122-00	BRACKET, REFLECTOR 2	1	1	
4	95702-05500	NUT, FLANGE	2	2	
5	B7M-82370-00	PLUG CAP ASSY	2	2	
6	BC3-82310-01	IGNITION COIL ASSY	1	1	
7	95D32-06020	BOLT, FLANGE DEEP RECESS	2	2	
8	1WS-82380-00	SENSOR, PRESSURE	1	1	
9	91312-05020	BOLT, HEXAGON SOCKET HEAD	1	1	
10	BC3-83371-10	HORN	1	1	
11	95D32-06012	BOLT, FLANGE DEEP RECESS	1	1	
12	5YU-85886-00	SENSOR, AIR TEMPERATURE	1	1	
13	97702-50516	SCREW, TAPPING	1	1	
14	BC3-83383-00	BUZZER	1	1	

FIG. 47 ELECTRICAL 4



REF. NO.	PART NO.	DESCRIPTION	B7M7	B7M8	REMARKS
1	B7M-85930-09	HYDRAULIC UNIT ASSY	1	1	
2	90480-13033	GROMMET	2	2	
3	90201-06118	WASHER, PLATE	2	2	
4	90387-06324	COLLAR	2	2	
5	92012-06020	BOLT, BUTTON HEAD	2	2	
6	BC3-85991-00	BRACKET, UNIT	1	1	
7	90480-13032	GROMMET	1	1	
8	90387-06323	COLLAR	1	1	
9	92012-06016	BOLT, BUTTON HEAD	1	1	
10	92012-06012	BOLT, BUTTON HEAD	1	1	
11	BC3-85970-01	WHEEL SENSOR ASSY, FRONT	1	1	
12	95022-06014	BOLT, FLANGE	1	1	
13	90464-12013	CLAMP	2	2	
14	BC3-85980-01	WHEEL SENSOR ASSY, REAR	1	1	
15	95022-06014	BOLT, FLANGE	1	1	
16	90465-10098	CLAMP	1	1	
17	90464-14003	CLAMP	2	2	
18	BC3-8431U-00	HOLDER	1	1	
19	95D32-06012	BOLT, FLANGE DEEP RECESS	1	1	

NUMERICAL INDEX

PART NO.	REF. NO.	PART NO.	REF. NO.	PART NO.	REF. NO.	PART NO.	REF. NO.	PART NO.	REF. NO.	PART NO.	REF. NO.
B7M-11101-09	1 - 1	B7M-12153-10	3 - 9	SSL-12462-00	6 - 19	B7M-14435-00	9 - 15	BC3-15473-00	13 - 3	B7M-17651-00	22 - 17
5NL-11133-10	1 - 2	1HX-12168-00	3 - 8	BC3-12476-00	6 - 16	BC3-14437-00	8 - 8	5GJ-15474-00	13 - 6	59C-17653-01	16 - 5
B7M-11166-00	8 - 11	1HX-12168-20	3 - 8	BC3-12477-00	6 - 17	BC3-1443A-00	8 - 9	15B-15481-00	11 - 7	59C-17660-00	16 - 14
B7M-11181-00	1 - 16	1HX-12168-40	3 - 8	5VU-12478-00	6 - 7	5XT-1443E-00	8 - 13	2PW-15481-01	12 - 18	4CW-17664-00	16 - 18
B7M-11190-01	1 - 17	1HX-12168-60	3 - 8	B7M-12481-00	5 - 14	B7M-14451-00	8 - 10		13 - 21	59C-17670-00	16 - 15
B7M-11193-00	1 - 18	1HX-12168-80	3 - 8	B7M-12482-00	5 - 15	48U-14452-00	13 - 25		13 - 28	B7M-17681-00	16 - 24
214-11198-01	11 - 8	1HX-12168-A0	3 - 8	B7M-12483-00	6 - 5	B7M-14452-00	8 - 3		13 - 32	5GJ-17690-00	16 - 20
B7M-11310-09	1 - 20	1HX-12168-F0	3 - 8	5Y9-12491-00	44 - 55	B7M-14465-00	25 - 34	5GJ-15486-00	12 - 17	B7M-21110-00	18 - 1
59C-11312-00	2 - 19	1HX-12168-H1	3 - 8		45 - 55	B7M-14469-00	8 - 6	4B5-15492-00	13 - 19	BC3-2113B-00	18 - 5
59C-11351-00	1 - 21	1HX-12168-K1	3 - 8	B7M-12551-00	6 - 29	B7M-1446C-00	8 - 7	BC3-15499-00	12 - 21	BC3-2116M-00	18 - 45
B7M-11400-01	2 - 1	1HX-12168-M1	3 - 8	BC3-12589-00	6 - 28	8HG-14534-00	9 - 8		13 - 29	BC3-2117F-00	18 - 47
B7M-11416-00	2 - 10	1HX-12168-R1	3 - 8	5GJ-12591-00	6 - 20	4BR-14613-00	10 - 22	B7M-15512-00	14 - 1	BC3-2117K-00	27 - 26
B7M-11416-10	2 - 10	1HX-12168-U1	3 - 8	SSL-12671-00	6 - 10	BC3-14629-00	10 - 9	B7M-15517-00	14 - 4	BC3-2117M-00	18 - 48
B7M-11416-20	2 - 10	1HX-12168-W1	3 - 8	2S3-12675-00	6 - 9	B7M-14648-00	10 - 21	36Y-15521-01	14 - 2	BC3-21185-00	18 - 10
B7M-11416-30	2 - 10	1HX-12168-Y1	3 - 8	3LD-13113-00	7 - 14	B7M-1465T-00	10 - 2	1WS-15590-00	14 - 3	BC3-21195-00	18 - 9
B7M-11416-40	2 - 10	1HX-12169-11	3 - 8	5GJ-13161-00	7 - 3	B7M-14703-00	10 - 1	59C-15768-00	13 - 16	BC3-21236-00	18 - 2
B7M-11416-A0	2 - 10	1HX-12169-31	3 - 8	59C-13300-00	7 - 1	BC3-14718-00	10 - 11	BC3-15789-00	12 - 22	5VX-21279-10	18 - 4
B7M-11417-00	2 - 11	1HX-12169-50	3 - 8	5GJ-13405-00	7 - 8	BC3-14738-00	10 - 29		13 - 31	B7M-21345-00	25 - 12
B7M-11417-10	2 - 11	1HX-12169-70	3 - 8	5GJ-13410-00	7 - 10	B7M-1475P-00	10 - 30	B7M-16110-00	15 - 1	BC3-2137F-00	44 - 33
B7M-11417-20	2 - 11	1HX-12169-90	3 - 8	22F-13411-01	7 - 13	B7M-1476P-00	10 - 31	59C-16151-00	17 - 2		45 - 33
B7M-11417-30	2 - 11	1HX-12169-E0	3 - 8	5GH-13440-61	7 - 20	B7M-14799-00	10 - 7	B7M-16321-00	15 - 11	B7M-2139X-00	18 - 32
B7M-11417-40	2 - 11	1HX-12169-G0	3 - 8	B7M-13470-00	7 - 17	B7M-15100-09	11 - 1	B7M-16324-00	15 - 13	BC3-2141A-00	18 - 50
B7M-11417-A0	2 - 11	1HX-12169-J0	3 - 8	1XD-13475-00	7 - 18	5GJ-15113-00	13 - 9	B7M-16325-00	15 - 12	BV1-2141A-00	18 - 50
5GJ-11455-10	2 - 17	1HX-12169-L0	3 - 8	5GJ-13475-00	7 - 6	36Y-15189-00	12 - 9	5GJ-16334-00	15 - 16	BC3-2141E-00	18 - 52
B7M-11603-00	2 - 13	1HX-12169-N0	3 - 8	4G0-13490-01	7 - 21	4H7-15189-00	11 - 10	B7M-16371-00	15 - 5	BC3-2142K-00	18 - 18
B7M-11631-00	2 - 12	1HX-12169-T0	3 - 8	B7M-13542-00	9 - 14	15B-15191-00	13 - 7	B7M-16511-00	15 - 7	BV1-2142K-00	18 - 18
B7M-11633-00	2 - 14	B7M-12170-00	4 - 1	8FP-13556-00	9 - 2	BC3-15316-00	12 - 19	5GJ-16520-00	15 - 9	BC3-21445-00	18 - 14
BC3-11642-01-A0	2 - 16	B7M-12180-00	4 - 2	5RB-13569-00	43 - 9	59C-15326-10	13 - 26	5GJ-16529-00	15 - 18	BC3-2144H-00	18 - 54
B7M-11650-00	2 - 2	B7M-12210-00	4 - 4	8GL-13571-00	9 - 7	BC3-15335-00	12 - 20	5GJ-16533-00	15 - 10	BC3-2145H-00	18 - 56
5VU-11654-00	2 - 3	15B-12213-00	4 - 5	8HG-13573-00	9 - 6	2H7-15361-00	12 - 2	5GJ-16537-00	15 - 17	BC3-21481-00	18 - 6
4X7-11654-01	2 - 7	59C-12251-00	4 - 7	B7M-13635-00	9 - 17	5GJ-15363-10	12 - 14	5GJ-16537-10	15 - 17	2PW-21511-00-3E	19 - 1
B7M-11656-00	2 - 5	B7M-12252-00	4 - 8	B7M-13750-01	9 - 1	4XM-15383-00	16 - 11	5GJ-16537-20	15 - 17	2PW-21511-00-PC	19 - 1
	2 - 9	BC3-12405-00	6 - 8	B7M-13758-00	25 - 37	5GJ-15383-00	16 - 29	5GJ-16537-30	15 - 17	2PW-21513-00	19 - 4
B7M-11656-10	2 - 5	1WS-12410-01	6 - 2	1WS-13761-10	9 - 3	B7M-15407-00	13 - 1	5GJ-16540-00	15 - 8	2PW-21514-00	19 - 7
	2 - 9	B7M-12413-00	6 - 3	BC3-13907-02	25 - 8	59C-15408-00	13 - 24	5GJ-16550-00	15 - 15	BC3-21521-00	37 - 22
B7M-11656-20	2 - 5	59C-12420-10	5 - 1	B7M-13938-00	9 - 5	59C-15411-10	12 - 1	B7M-17111-00	17 - 3	BC3-21553-00	36 - 8
	2 - 9	5VU-12421-00	5 - 2	B7M-13971-01	25 - 32	59C-15414-00	12 - 3	B7M-17211-00	17 - 7	2PW-21556-00	19 - 10
B7M-11656-30	2 - 5	5GJ-12422-02	5 - 7	2C0-14105-00	9 - 11	BC3-15415-00	12 - 16	59C-17411-10	17 - 1	B7M-21557-00	36 - 2
	2 - 9	59C-12437-00	5 - 13	8A7-14139-00	9 - 13	5GJ-15417-00	12 - 4	B7M-17421-00	17 - 5	26P-21568-01	36 - 1
59C-11660-10	2 - 6	5VK-12438-00	5 - 5	5PS-14147-00	9 - 4	59C-15421-10	13 - 11	15B-17524-00	22 - 1	BC3-2161G-00	20 - 50
B7M-12111-00	3 - 1	1WG-12439-00	5 - 8	895-14169-00	9 - 12	BC3-15423-00	13 - 22	5GJ-17554-00	22 - 6	BC3-21629-00	20 - 40
59C-12113-00	3 - 4	B7M-1243A-00	6 - 24	1MC-14216-00	23 - 19	5GJ-1542A-00	13 - 20	B7M-17601-09	16 - 1	BC3-21668-00	27 - 28
3TJ-12117-00	3 - 5	B7M-1243E-00	6 - 25	5FL-14216-00	23 - 17	BC3-1542B-00	13 - 27	59C-17611-00	16 - 7	BC3-21669-00	20 - 53
1HX-12118-00	3 - 6	BC3-1244E-00	6 - 21	8CC-14216-10	9 - 10	59C-15431-00	13 - 8	BC3-17623-00	16 - 4	BC3-21671-00	20 - 49
4TV-12119-00	3 - 7	B7M-1244F-00	44 - 27	B7M-14409-00	8 - 18	BC3-1543A-00	13 - 30	5VU-17632-10	16 - 3	BC3-21682-00	22 - 34
59C-12121-01	3 - 2		45 - 27	B7M-14411-00	8 - 1	B7M-15451-00	12 - 11	B7M-17641-00	16 - 6	B7M-21711-00-3E	20 - 9
8GC-12126-00	3 - 3	20S-12450-00	5 - 6	B7M-14412-00	8 - 2	5GJ-15453-01	12 - 6	4WV-17644-00	16 - 21	B7M-21711-00-P2	20 - 9
B7M-12153-09	3 - 9	B7M-12461-00	6 - 6	B7M-1441A-00	8 - 5	59C-15461-00	13 - 12	59C-17649-01	16 - 8	B7M-2171A-00	20 - 22

NUMERICAL INDEX

PART NO.	REF. NO.	PART NO.	REF. NO.	PART NO.	REF. NO.	PART NO.	REF. NO.	PART NO.	REF. NO.	PART NO.	REF. NO.
B7M-2171E-00	20 - 1	BC3-22312-00	22 - 43	278-23181-50	24 - 12	BC3-24731-33	26 - 2	4SV-25802-10	29 - 15	5VS-2589F-00	33 - 36
BC3-2171L-00-3E	20 - 34	BC3-22381-00	22 - 46		24 - 30	BC3-24738-00	26 - 3	59C-25802-50	31 - 14	5VS-2589H-00	33 - 6
BC3-2171L-00-P6	20 - 34	BC3-22465-00	22 - 14	BC3-2331M-A0	37 - 4	BC3-2473R-00	27 - 1	59C-25803-00	31 - 5		33 - 35
BC3-2171M-00-3E	20 - 37	BC3-2247A-00	34 - 17	BC3-2331N-A0	37 - 5	BC3-24747-00	27 - 10	3GM-25803-10	29 - 5	59C-25914-00	31 - 6
BC3-2171M-00-P6	20 - 37	BC3-2248B-00	22 - 53	BC3-23340-00	24 - 37	BC3-24748-00	26 - 4		29 - 16	59C-25914-50	31 - 18
B7M-2171N-00	21 - 35	BC3-2248B-10	22 - 65	BC3-2334G-00	23 - 23	BC3-2474A-00-3E	27 - 11	3MA-25803-10	29 - 7	1UY-25917-51	31 - 20
B7M-2171R-00	21 - 41	BC3-2248C-00	22 - 54	BC3-2334H-00	23 - 10	BC3-2474A-00-P6	27 - 11		29 - 18	13S-25919-00	29 - 9
B7M-21721-00-3E	20 - 15	BC3-22863-00	37 - 18	3LC-23357-00	24 - 13	4B5-2474E-00	26 - 9	4B5-25805-00	29 - 8		29 - 20
B7M-21721-00-P2	20 - 15	BC3-22865-01-3E	37 - 28		24 - 31	BC3-2474W-00-3E	27 - 15		29 - 19	5JW-25919-00	31 - 9
B7M-2172G-00	20 - 12	BC3-22865-01-P7	37 - 28	4XV-23415-01	23 - 5	BC3-2474W-00-P6	27 - 15	59C-25805-50	31 - 15	2PW-25921-50	31 - 24
B7M-2172H-00	20 - 18	BC3-22882-00	22 - 66	4XV-23418-00	23 - 2	B7M-2475U-00	26 - 16	59C-25806-00	31 - 8	4SV-25924-00	29 - 10
B7M-2172K-00	21 - 5	B3T-23102-00	24 - 19	2PW-23441-00	23 - 21	BC3-24765-00	21 - 1	BC3-25807-00	33 - 2		29 - 21
B7M-2172N-00	21 - 8	B7M-23102-00	24 - 19	59C-23442-01	23 - 9	B7M-24769-00	26 - 14	BC3-25807-10	33 - 31	3GM-25925-00	29 - 11
B7M-21731-00-P0	20 - 26	B3T-23103-00	24 - 1	5B6-23455-00	37 - 33	4B5-2476U-00	27 - 13	BC3-2580A-00	33 - 1		29 - 22
B7M-21731-00-P1	20 - 26	B7M-23103-00	24 - 1	3FV-23462-00	24 - 40		27 - 17	BC3-2580A-10	33 - 30	1UY-25926-51	31 - 21
5GJ-2173B-30	20 - 55	BC3-23110-00	24 - 2	BC3-23480-00	44 - 32	B7M-2476U-00	25 - 33	2PW-2580T-00	29 - 3	4TT-25937-00	31 - 7
	20 - 56	2PW-23111-00	24 - 16		45 - 32	B7M-24776-00	21 - 7	2PW-2580T-20	29 - 3	1UY-25937-51	31 - 22
5GJ-2173B-61	20 - 55		24 - 34	BC3-23857-00	23 - 24	B7M-2477F-00	21 - 6	2PW-2580U-10	29 - 14	1UY-25938-51	31 - 23
	20 - 56	5VY-23118-00	24 - 15	BC3-24110-00	25 - 1	BC3-24780-01	27 - 19	2PW-2580U-30	29 - 14	5GM-25975-00	31 - 12
13S-2173M-00	37 - 3		24 - 33	BC3-24129-A0	21 - 17	34B-24785-00	41 - 6	59C-2580W-01	31 - 3	5VS-25975-00	29 - 25
BC3-2173M-00	27 - 5	BC3-23120-00	24 - 20	BC3-24139-A0	21 - 19	BC3-2478D-00	27 - 21	59C-2581T-00	29 - 1	2PW-259A0-00	31 - 13
B7M-21741-00-P0	20 - 30	5PB-23123-00	24 - 41	1RC-2413B-01	36 - 43	4B5-2478G-04	26 - 17	1J3-25824-00	29 - 12	59C-259A3-00	31 - 16
B7M-21741-00-P1	20 - 30	1RC-23125-00	24 - 7		36 - 47	BC3-24796-00	21 - 23	5GM-25824-00	31 - 10	59C-259A4-00	31 - 17
5EA-2174Y-00	36 - 12		24 - 25	B7M-2414A-00	25 - 14	5EA-25117-00	28 - 2	5VS-25824-00	29 - 23	4B5-26031-00	36 - 17
4JP-21753-00	25 - 15	BC3-23126-00	24 - 9	5PW-2415E-02	21 - 54	2PW-25168-00-8L	28 - 1	1D7-25825-00	31 - 11	B7M-26110-00	32 - 1
B7M-2175N-00	20 - 25		24 - 27	BC3-24170-00	25 - 25	2PW-25168-00-P1	28 - 1	59C-25825-00	31 - 25	BC3-2612E-00	33 - 24
B7M-2175T-00	21 - 47	BC3-23126-10	24 - 9	5RB-24180-00	25 - 18	2DR-2517G-00	28 - 5	306-25825-01	29 - 13	BC3-2612K-00	33 - 28
B7M-2175U-00	21 - 50		24 - 27	22W-24181-00	10 - 16	2PW-2517G-00	30 - 7		29 - 24	4B5-26131-00	32 - 28
BC3-21773-00	20 - 46	B7M-23141-00	24 - 14	BC3-24182-00	25 - 6	BC3-25181-00	28 - 10	59C-2582W-00	31 - 1	BC3-26143-00	32 - 17
3XV-21778-00	36 - 3		24 - 32	BC3-24183-00	25 - 24	5PW-25188-00	28 - 11	59C-25838-00	31 - 19	BC3-26145-00	32 - 11
BC3-2177B-00	20 - 7	4EB-23144-00	24 - 3	BC3-24184-00	25 - 22	59C-25317-01	30 - 4	BC3-2584B-00	33 - 42	BC3-26216-A0	32 - 15
BC3-2178J-00	21 - 10		24 - 21	BC3-24185-00	25 - 7	59C-25333-00	31 - 26	B7M-2584C-00	33 - 43	BC3-26217-00	32 - 21
BC3-2178V-00	21 - 11	4EB-23145-01	24 - 5	BC3-2419F-00	25 - 23	BC3-25338-00-8L	30 - 1	BC3-2584D-00	33 - 26	BC3-26246-00	32 - 6
1AA-21815-00	21 - 29		24 - 23	BC3-24313-00	25 - 17	BC3-25338-00-P0	30 - 1	4B5-25852-00	33 - 3	BC3-26250-10	23 - 15
B7M-21816-00	21 - 31	36Y-23146-10	24 - 6	B7M-24315-00	25 - 29	BC3-25376-00	30 - 17		33 - 32	BC3-26279-00	32 - 26
BC3-21817-00	21 - 32		24 - 24	5EL-24316-10	25 - 27	2PW-25377-10	30 - 18	4B5-25854-00	33 - 5	BC3-26280-00	37 - 51
BC3-21871-00	21 - 25	39P-23147-00	24 - 17	BC3-24318-00	25 - 16	2PW-2537A-00	30 - 16		33 - 34	59C-2628N-00	37 - 52
1AA-21874-00	21 - 30		24 - 35	BC3-24339-00	25 - 4	BC3-25381-00	30 - 19	4B5-25855-00	33 - 4	59C-2628R-00	37 - 55
BC3-2210M-00	22 - 5	26H-23156-00	24 - 4	1S4-24486-00	25 - 10	5VY-25388-00	22 - 38		33 - 33	BC3-26290-00	37 - 54
BC3-2210N-01	22 - 11		24 - 22	BC3-24491-00	25 - 9	5VY-25389-01	22 - 39	2PW-25867-00	33 - 11	BC3-26311-00	32 - 7
15B-22141-00	22 - 24	509-23158-L0	24 - 11	BC3-24610-01	25 - 2	23P-25398-00	28 - 9	BC3-25873-01	33 - 15	BC3-26312-00	32 - 8
1J7-22143-00	22 - 26		24 - 29	B7M-24624-00	21 - 13		30 - 11	BC3-25874-00	33 - 14	5VS-26332-00	33 - 10
59C-2214F-00	22 - 19	B7M-23170-00	24 - 10	2PW-24718-00	26 - 12	BC3-25470-00	30 - 12	BC3-25875-00	33 - 23		33 - 41
BC3-2217A-00	22 - 52	B7M-23170-10	24 - 28	2PW-24726-00	26 - 6	BC3-25727-00	43 - 11	BC3-25876-00	33 - 27	BC3-26396-00	43 - 8
BC3-2217M-00	22 - 51	4FM-23171-40	24 - 8	2PW-24727-00	26 - 7	4SV-25802-00	29 - 6	BC3-2587A-00	22 - 36	B7M-27111-00	34 - 15
59C-2219X-00	22 - 18		24 - 26	BC3-24730-13	26 - 1		29 - 17	BC3-25886-00	33 - 48	36C-27114-00	34 - 21
B7M-22210-00	22 - 67	BC3-2317E-00	24 - 42	BC3-24730-33	26 - 1	59C-25802-00	31 - 4	BC3-25887-00	33 - 16	BC3-27114-00	34 - 32
BC3-22311-00	22 - 40	BC3-2317F-00	24 - 44	BC3-24731-13	26 - 2	4SV-25802-10	29 - 4	5VS-2589F-00	33 - 7	BC3-27151-00	34 - 20

NUMERICAL INDEX

PART NO.	REF. NO.	PART NO.	REF. NO.	PART NO.	REF. NO.	PART NO.	REF. NO.	PART NO.	REF. NO.	PART NO.	REF. NO.
B7M-27152-00	34 - 24	8GC-2836B-02	32 - 22	4WA-81980-00	45 - 15	1UA-82591-00	44 - 23	2PW-85546-00	45 - 54	90105-12109	18 - 11
BC3-27180-01	44 - 36	BC3-2836K-00	37 - 1	2DF-82021-00	44 - 52		45 - 23	1MC-85884-00	23 - 16	90105-14002	28 - 14
	45 - 36	BC3-2836L-00	37 - 21		45 - 52	3MA-82591-00	27 - 22	B7M-85885-00	9 - 9	90109-05012	32 - 16
59C-27311-00	34 - 29	BC3-2836T-00	36 - 22	23P-82100-00	44 - 3		44 - 24	5YU-85886-00	46 - 12	90109-05018	35 - 10
BC3-27321-00	34 - 28	BC3-28377-00-3E	37 - 12		45 - 3		45 - 24	B7M-8591A-01	44 - 1		35 - 24
2PW-27413-00	35 - 29	BC3-28377-00-P7	37 - 12	BC3-82116-00	44 - 9	B7M-82617-00	43 - 6	B7M-8591A-20	45 - 1		36 - 15
2PW-27423-00	35 - 30	BC3-2837L-00	35 - 9		45 - 9	BC3-82627-00	43 - 15	BC3-8592A-10	10 - 19	90109-05019	42 - 3
B7M-27424-00	10 - 20	BC3-2837M-00	35 - 23	5SL-82119-10	44 - 8	BC3-82917-01	33 - 39	B7M-85930-09	47 - 1	90109-060G4	44 - 34
36Y-27424-01	10 - 17	BC3-2837U-00	37 - 34		45 - 8	B7M-82960-00	32 - 4	BC3-85970-01	47 - 11		45 - 34
B7M-27431-00	34 - 1	5GJ-2839M-00	27 - 4	BC3-82121-00	44 - 5	BC3-82963-00	32 - 3	BC3-85980-01	47 - 14	90109-06264	6 - 22
4B5-27437-00	34 - 7	BC3-28427-00	37 - 31		45 - 5	BC3-83306-00	37 - 35	BC3-85991-00	47 - 6		36 - 5
	34 - 14	BC3-2842A-00	37 - 45	B7M-8212B-00	18 - 31	B7M-83310-00	39 - 3	BC3-86111-00	21 - 3	90109-06295	4 - 9
B7M-27441-00	34 - 8	BC3-2842M-00	36 - 36	BC3-8212C-00	18 - 39	B7M-83320-00	39 - 4	BC3-86111-10	36 - 30	90109-08261	44 - 35
B7M-27453-01	35 - 2	BC3-28437-00	37 - 32	3TJ-82131-00	26 - 20	BC3-83330-00	39 - 1	B7M-86261-00	44 - 50		44 - 37
B7M-27463-01	35 - 14	BC3-2843C-00	37 - 48	137-82131-01	44 - 2	BC3-83340-00	39 - 2		45 - 50		45 - 35
BC3-27481-00	35 - 1	2C0-2847N-00	40 - 6		44 - 4	BC3-83371-10	46 - 10	B7M-86265-00	44 - 51		45 - 37
2PW-27483-00	35 - 27	59C-46153-00	22 - 23		45 - 2	BC3-83383-00	46 - 14		45 - 51	90109-083G4	29 - 2
2PW-27484-00	35 - 28	BC3-46241-01	22 - 50		45 - 4	B7M-83500-00	40 - 1	BC3-W2341-00	23 - 8	90109-10027	22 - 55
BC3-27488-00	35 - 13	JX4-78329-00	37 - 47	1MC-82151-00	44 - 22	B7M-83500-10	40 - 1	BC3-W283B-12	36 - 20	90109-10067	34 - 18
BC3-27493-00	35 - 31		37 - 50		45 - 22	BC3-83511-01	40 - 2	BC3-W28AL-02	36 - 21	90110-06021	1 - 13
BC3-27494-00	35 - 32	BC3-81410-00	38 - 1	5EA-82151-00	44 - 7	4XV-83513-00	18 - 26	B7M-W862A-00	45 - 49	90110-06036	16 - 30
BC3-27883-00	30 - 13	B7M-81450-00	38 - 2		45 - 7	5PS-83513-00	41 - 9	B7M-W862A-01	44 - 49	90110-06043	25 - 13
BC3-27982-00	32 - 31	BC3-81815-00	14 - 14	5JJ-82151-00	44 - 17	BC3-83572-00	40 - 3	90101-08013	22 - 9	90110-06163	22 - 20
2PW-28100-11	26 - 19	4B5-81826-00	14 - 9		45 - 17	4P9-83591-00	1 - 23		22 - 12	90110-06168	7 - 5
1RC-28135-00	26 - 21	4XV-8182A-00	14 - 13	5JJ-82151-10	44 - 18	2PW-83912-00	33 - 38	90101-10046	34 - 26		7 - 12
B88-2817K-20	21 - 53		14 - 16		45 - 18	2PW-83922-00	33 - 9	90101-12060	22 - 70	90110-06173	18 - 24
BC3-28227-00	36 - 25	4B5-81840-00	14 - 8	5JJ-82151-20	44 - 20	5VU-83930-00	43 - 10	90105-05025	43 - 7	90110-06200	21 - 40
BC3-28237-00	37 - 23	4B5-81844-00	14 - 10		45 - 20	BC3-83954-00	43 - 3		43 - 16		21 - 46
BC3-28306-00	37 - 10	1FK-81847-00	14 - 11	5JJ-82151-60	44 - 21	BC3-83972-11	43 - 13	90105-06027	1 - 3	90110-06379	1 - 14
BC3-28311-00	36 - 11	3TB-81847-00	14 - 12		45 - 21	BC3-83980-01	33 - 12	90105-06127	18 - 55	90110-10046	18 - 7
BC3-28313-00	36 - 18	1MC-81860-00	23 - 18	5JJ-82151-80	44 - 19	BC3-84118-00	18 - 23		18 - 57	90111-05045	20 - 28
BC3-28320-00	18 - 25	59C-81860-01	44 - 41		45 - 19	2PW-84192-00	41 - 4	90105-06181	22 - 37		20 - 32
B7M-28331-00	37 - 30		45 - 41	BC3-82310-01	46 - 6	B7M-84300-00	41 - 2	90105-08054	27 - 14	90111-05049	19 - 3
BC3-28336-00	18 - 29	4B5-81871-00	14 - 15	BC3-82361-00	32 - 10	BC3-8431U-00	47 - 18		27 - 18	90111-06015	10 - 8
BC3-28345-A0	36 - 38	BC3-81890-00	14 - 7	B7M-82370-00	46 - 5	4WV-84345-00	37 - 46	90105-08073	18 - 35		10 - 14
BC3-28346-A0	36 - 39	BC3-81940-00	44 - 6	1WS-82380-00	46 - 8		37 - 49	90105-08129	18 - 37	90111-06064	30 - 14
BC3-28349-00	37 - 43		45 - 6	2DF-82511-09	44 - 53	1TP-84347-00	20 - 42	90105-08440	31 - 29	90111-06066	10 - 5
BC3-2834V-00	36 - 31	1ST-81950-00	44 - 46		45 - 53	4HC-84347-00	27 - 3	90105-08M35	18 - 51	90111-06089	20 - 4
BC3-28351-00-3E	37 - 6		45 - 46	BC3-8252U-00	44 - 38	B7M-84359-00	41 - 12		18 - 53		20 - 51
BC3-28351-00-P7	37 - 6	5JJ-81950-11	44 - 48		45 - 38	B7M-84710-00	42 - 1	90105-10211	23 - 14	90111-06092	18 - 46
BC3-28356-00	18 - 22		45 - 48	BC3-8254B-00	36 - 29	BC3-84740-00	20 - 41	90105-10220	22 - 63		44 - 40
BC3-2835P-00	37 - 16	5JJ-81952-00	44 - 47	BC3-82566-00	44 - 29	4HC-84770-00	27 - 2	90105-10237	30 - 15		45 - 40
B7M-2835U-00-P0	36 - 40		45 - 47		45 - 29	2PW-85112-00	46 - 2	90105-10283	34 - 22	90111-06116	22 - 45
B7M-2835U-00-P1	36 - 40	5VX-81960-00	44 - 12		44 - 43	2PW-85122-00	46 - 3		34 - 25	90111-06140	19 - 16
B7M-2835V-00-P0	36 - 44		45 - 12	5PS-82576-01	45 - 43	3Y6-85130-02	20 - 47	90105-10318	22 - 68	90111-06183	10 - 32
B7M-2835V-00-P1	36 - 44	3WP-81980-00	44 - 16	B7M-82590-01	44 - 14	59C-85131-00	46 - 1	90105-10440	29 - 26	90111-10007	34 - 33
B7M-2835X-00	32 - 24		45 - 16	B7M-82590-11	45 - 14	B7M-85490-00	41 - 3	90105-12052	18 - 12	90111-10026	2 - 20
B7M-28365-00	36 - 48	4WA-81980-00	44 - 15	1UA-82591-00	25 - 21	2PW-85546-00	44 - 54	90105-12109	18 - 8	90116-09584	1 - 8

NUMERICAL INDEX

PART NO.	REF. NO.	PART NO.	REF. NO.	PART NO.	REF. NO.	PART NO.	REF. NO.	PART NO.	REF. NO.	PART NO.	REF. NO.
90119-06156	19 - 11	90179-06018	31 - 28	90183-060A6	35 - 21	90269-06008	36 - 9	90387-22016	28 - 12	90464-30010	44 - 25
	37 - 26	90179-07652	2 - 4		36 - 24		37 - 20	90387-22030	28 - 13		45 - 25
	41 - 11	90179-08442	10 - 23		37 - 7		37 - 25	90387-26001	16 - 25	90464-30011	44 - 56
90119-06230	21 - 26	90179-09379	2 - 8		37 - 13	90269-06010	9 - 16	90401-10020	33 - 19	90465-10098	20 - 52
90119-06235	35 - 3	90179-09612	1 - 11	90185-10012	34 - 37	90269-06019	20 - 13		33 - 20		32 - 5
	35 - 17	90179-18007	2 - 22	90185-10022	10 - 27		20 - 19		33 - 46		33 - 18
90119-06270	5 - 17	90179-20013	16 - 13		34 - 23		21 - 36	90401-10038	33 - 21		43 - 1
90119-06312	5 - 12	90179-30006	23 - 3		34 - 27		21 - 42	90401-20009	7 - 19		47 - 16
90119-08112	18 - 43	90183-05042	20 - 2	90185-10060	34 - 19	90269-07007	37 - 2	90413-06031	25 - 35	90467-09006	25 - 36
90149-05029	28 - 6		20 - 10	90185-24002	30 - 20	90269-07014	6 - 23	90430-08119	1 - 6	90467-090A2	21 - 33
	30 - 8		20 - 16	90201-04325	44 - 45	90269-07076	18 - 49		11 - 13		25 - 30
90149-06082	12 - 5		21 - 2		45 - 45	90269-08007	37 - 44	90430-10004	1 - 24	90467-10008	21 - 34
	38 - 4		21 - 18	90201-06033	6 - 14	90280-05048	2 - 24	90430-10005	33 - 22	90467-10038	6 - 27
90149-06093	38 - 3		21 - 20	90201-06118	47 - 3	90338-10132	36 - 26		33 - 47	90467-110A3	25 - 28
90149-06117	19 - 2		21 - 48	90201-062G3	10 - 6	90338-36004	20 - 21	90445-05003	37 - 40	90467-11106	8 - 14
	19 - 12		21 - 51		10 - 15	90387-05042	20 - 43	90445-217G3	34 - 31	90467-15001	6 - 26
90149-06233	24 - 43		32 - 14	90201-08103	27 - 9	90387-06065	6 - 13	90450-01002	13 - 4		8 - 17
90149-08009	31 - 2		32 - 19	90201-087F0	18 - 33	90387-06107	18 - 40	90450-32015	6 - 1	90467-15054	8 - 12
90149-08030	14 - 6		35 - 6	90201-090P4	1 - 10		37 - 38	90450-46005	8 - 15	90468-040A0	22 - 42
90149-08055	18 - 3		35 - 12	90201-10035	22 - 58	90387-06130	44 - 39	90450-56009	9 - 18	90468-16001	26 - 18
90151-06024	16 - 12		35 - 20		34 - 36		45 - 39	90450-74001	13 - 5	90480-01559	35 - 8
90154-05006	37 - 41		35 - 26	90201-10043	23 - 11	90387-06141	10 - 13	90464-07018	20 - 11		35 - 22
90159-05032	32 - 2		36 - 10	90201-10051	34 - 35	90387-06153	19 - 13		20 - 17		41 - 10
90159-06021	36 - 13		36 - 14	90201-10071	10 - 28	90387-06161	41 - 8		20 - 29	90480-10334	21 - 28
90159-06022	36 - 27		36 - 19	90201-10078	18 - 17	90387-062U9	25 - 3		20 - 33	90480-11009	20 - 44
90160-05013	8 - 4		36 - 42	90201-10669	10 - 24	90387-06317	10 - 4	90464-08126	18 - 59	90480-12581	10 - 3
90160-05015	21 - 15		36 - 46	90201-12034	22 - 71	90387-06323	47 - 8	90464-09130	18 - 58		10 - 12
90167-05076	20 - 36		37 - 8	90201-13015	22 - 57	90387-06324	47 - 4	90464-10M52	25 - 31	90480-13032	47 - 7
	20 - 39		37 - 14	90201-22018	22 - 25	90387-06325	19 - 15	90464-12001	33 - 25	90480-13033	47 - 2
	32 - 18		42 - 4	90201-24017	15 - 19	90387-06372	22 - 41		37 - 37	90480-15363	6 - 15
	36 - 6	90183-05076	21 - 39	90201-244A9	15 - 3		22 - 44	90464-12013	47 - 13	90480-16301	6 - 11
90167-05079	20 - 8		21 - 45	90201-25020	30 - 21		22 - 47	90464-12018	44 - 26	90501-05512	21 - 12
	21 - 24		27 - 6	90201-25290	14 - 5	90387-064H8	34 - 6		45 - 26	90501-104F9	7 - 16
	32 - 13		32 - 12	90201-28017	23 - 6		34 - 13	90464-13073	44 - 57	90501-110A0	15 - 14
	32 - 23		32 - 20	90202-30235	23 - 4	90387-065L7	6 - 12		45 - 56	90501-15001	34 - 4
	36 - 49		37 - 27	90249-12004	31 - 27	90387-06681	21 - 27	90464-13133	33 - 29		34 - 11
	37 - 24		37 - 29	90269-03001	36 - 35	90387-08068	27 - 12	90464-14003	47 - 17	90501-620A1	16 - 19
90169-05001	36 - 16	90183-050A6	19 - 6	90269-05001	25 - 20		27 - 16	90464-14013	33 - 45	90506-23014	34 - 30
90169-05006	18 - 28		19 - 9	90269-05009	13 - 2	90387-08079	19 - 14	90464-15014	25 - 19	90506-40007	34 - 16
90170-16326	15 - 20	90183-05M02	21 - 14	90269-06001	22 - 49	90387-085E1	18 - 34	90464-16003	41 - 1	90520-04016	13 - 23
90170-18221	16 - 23		36 - 33	90269-06008	20 - 3	90387-10020	34 - 34	90464-16006	32 - 25	90520-10015	36 - 4
90170-28419	23 - 7	90183-06069	18 - 38		20 - 14	90387-10046	10 - 18		32 - 30	90520-10036	8 - 16
90170-36279	16 - 22		18 - 44		20 - 20	90387-10100	18 - 42	90464-16012	33 - 44	90520-20009	35 - 15
90170-48003	15 - 6		41 - 5		20 - 23	90387-10114	18 - 36	90464-23001	6 - 30	90520-20011	35 - 16
90176-06017	13 - 17	90183-060A6	19 - 5		21 - 22	90387-127W0	22 - 62	90464-25009	43 - 2	91312-04025	44 - 44
90176-09001	1 - 12		19 - 8		21 - 49	90387-17011	22 - 29	90464-25160	27 - 7		45 - 44
90176-10075	10 - 26		20 - 6		21 - 52	90387-18001	2 - 23		36 - 28	91312-05010	21 - 4
90179-05003	37 - 42		35 - 7		36 - 7	90387-20018	15 - 4	90464-28175	6 - 18		25 - 11

NUMERICAL INDEX

PART NO.	REF. NO.	PART NO.	REF. NO.	PART NO.	REF. NO.	PART NO.	REF. NO.	PART NO.	REF. NO.	PART NO.	REF. NO.
91312-05020	46 - 9	93106-40013	30 - 5	93900-00030	30 - 10	95D32-06012	47 - 19	97702-50012	36 - 41		
91312-06016	9 - 19	93106-40027	30 - 6	94112-15012	28 - 7	95D32-06014	22 - 48		36 - 45		
91312-06020	5 - 9	93109-17071	22 - 61	94116-15019	30 - 9		23 - 20		37 - 9		
91312-06025	4 - 6	93210-06422	7 - 4	94580-25058	7 - 7	95D32-06016	20 - 54		37 - 11		
91312-06035	1 - 19	93210-09525	7 - 9	94591-53134	4 - 3		27 - 20		37 - 15		
91312-08020	22 - 3	93210-10096	7 - 22	94701-00443	1 - 15		37 - 53		37 - 17		
91312-08030	23 - 13	93210-14579	7 - 11	95022-06008	44 - 11		37 - 56		37 - 19		
	24 - 38	93210-16325	12 - 10		45 - 11	95D32-06020	18 - 21		42 - 2		
91314-08040	24 - 18	93210-19123	12 - 15	95022-06010	44 - 28		37 - 39	97702-50016	21 - 38		
	24 - 36	93210-21006	17 - 6		45 - 28		44 - 13		21 - 44		
91380-06012	44 - 10	93210-21190	5 - 16	95022-06014	47 - 12		45 - 13		35 - 5		
	45 - 10	93210-22382	11 - 11		47 - 15		46 - 7		35 - 19		
91402-20012	34 - 2	93210-26001	16 - 26	95022-08035	23 - 22	95D32-06025	14 - 17		36 - 23		
	34 - 9	93210-30611	16 - 9	95022-08110	11 - 5		25 - 5		36 - 32		
91702-06038	34 - 3	93210-33133	5 - 11	95022-08120	11 - 6		41 - 7		40 - 5		
	34 - 10	93210-44545	16 - 17	95302-08600	22 - 10	95D32-06030	19 - 18	97702-50516	46 - 13		
91808-16023	1 - 4	93210-48364	11 - 9		22 - 13	95D32-06035	19 - 17	97707-50012	20 - 5		
92012-05020	44 - 30	93210-50553	22 - 2	95602-05200	20 - 45	95D32-08020	27 - 8		36 - 34		
	45 - 30	93306-00106	5 - 3		44 - 31	95D32-10025	22 - 32		36 - 37		
92012-06010	23 - 25	93306-00713	16 - 10		45 - 31	95D32-10040	10 - 25	97707-50014	39 - 5		
	25 - 26	93306-07208	28 - 3	95602-06200	26 - 5	95D32-10090	22 - 33	98507-05012	43 - 12		
	26 - 13	93306-07809	30 - 3		26 - 11	95D32-10100	22 - 31	98507-05040	43 - 4		
92012-06012	24 - 45	93306-205A8	17 - 9	95602-08200	26 - 10	95D37-10025	18 - 16	98507-05050	43 - 14		
	27 - 25	93306-205B5	30 - 2	95602-10100	23 - 12	95E32-06020	6 - 4	98507-05055	43 - 5		
	27 - 27	93306-20651	16 - 28	95602-10200	18 - 15	95E32-06035	11 - 3	98517-05020	32 - 9		
	33 - 17	93306-20662	22 - 15		22 - 64		12 - 8	98902-03008	44 - 42		
	47 - 10	93306-30102	15 - 21		22 - 69		12 - 13		45 - 42		
92012-06014	13 - 10	93306-30217	16 - 33	95602-12200	18 - 13		13 - 18	98980-06008	10 - 10		
92012-06016	47 - 9	93306-30427	17 - 4		22 - 72	95E32-06050	11 - 4	99009-12400	5 - 10		
92012-06020	47 - 5	93306-90602	2 - 25	95607-05200	20 - 48	95E32-08012	1 - 5	99009-25400	17 - 8		
92012-06050	7 - 2	93315-31758	22 - 59	95612-08618	1 - 7		11 - 12	99009-30400	22 - 22		
92012-08012	26 - 15	93315-41774	22 - 60	95612-10100	22 - 56	95E32-08025	13 - 15	99009-42500	16 - 31		
92014-06012	20 - 27	93317-32493	15 - 2	95617-06100	33 - 8	95E32-08040	13 - 14	99009-62500	22 - 21		
	20 - 31	93332-00010	22 - 27		33 - 37	97002-05010	27 - 23	99480-08020	13 - 13		
92902-05600	27 - 24	93332-00086	22 - 4	95702-05500	46 - 4	97602-04214	33 - 13	99530-10114	11 - 2		
93101-30001	2 - 26	93399-99932	23 - 1	95702-06500	19 - 19		33 - 40		12 - 7		
93101-35001	16 - 2	93399-99957	24 - 39		37 - 36	97702-30016	40 - 4		12 - 12		
93102-12442	5 - 4	93430-02001	21 - 9	95702-10500	18 - 30	97702-50012	20 - 24	99530-14016	22 - 30		
93102-15004	16 - 32	93430-09038	26 - 8	95812-06016	18 - 19		20 - 35				
93102-25017	22 - 28	93450-16068	2 - 18	95812-06040	18 - 20		20 - 38				
93102-25064	17 - 10	93450-18157	2 - 15	95D02-06016	18 - 41		21 - 16				
93102-30284	22 - 8	93501-04011	34 - 5	95D32-06010	32 - 29		21 - 21				
93102-35023	22 - 16		34 - 12	95D32-06012	18 - 27		21 - 37				
93102-42004	16 - 27	93505-08030	7 - 15		22 - 35		21 - 43				
93102-44008	2 - 27	93608-60001	2 - 21		32 - 27		35 - 4				
93102-55004	22 - 7	93612-16254	1 - 9		32 - 32		35 - 11				
93104-41119	16 - 16		1 - 22		33 - 49		35 - 18				
93106-28043	28 - 4	93900-00025	28 - 8		46 - 11		35 - 25				