

PARTS CATALOGUE



RYC1



VPBC5



MS1

T155 (BAX1) MALAYSIA

T155
PARTS CATALOGUE
©2021 by Yamaha Motor Co., Ltd.
1st edition, March 2021
All rights reserved.
Any reprinting or unauthorized use
without the written permission of
Yamaha Motor Co., Ltd.
is expressly prohibited.
Printed in Japan.

FOREWORD

This Parts Catalogue is related to the parts for the model(s) on the cover page. When you are ordering replacement parts, please refer to this Parts Catalogue and quote both part numbers and part names correctly.

1. Modifications or additions which have been made after the issue of the Parts Catalogue will be announced in the Parts News.
It is advisable that you make the necessary corrections to the Parts Catalogue according to the Parts News.
2. Abbreviations
The following abbreviations are used in this Parts Catalogue.
“UR” Use specified parts number.
“UN” Use as many as needed.
“AP” Alternate Parts
“LM” Locally Made (Parts need to be ordered locally)
“F#” Frame No. (Applicable machine No.)
“O/S” Over Size
3. The number of components for assembly
 - Parts, which are to be supplied in an assembly, are listed with a dot (.) in front of the part name as shown below.
 - The numeral appearing to the right of each component part indicates the quantity of parts for each assembly unit.

PART NO.	DESCRIPTION	Q'TY	REMARKS
2F5-83310-60	FRONT FLASHER LIGHT ASSY	2	
115-83311-60	.BULB (6V-18W)	1	

4. Applicable colours of graphics are represented in the “REMARKS” as shown below.

PART NO.	DESCRIPTION	Q'TY	REMARKS
2N4-24110-00-X5	FUEL TANK COMP.	2	MXR
3J1-24240-10	.GRAPHIC, FUEL TANK	1	FOR MXR

5. Note that the illustrations for reference in finding parts numbers are not to be used for assembling. When assembling, please use the applicable service manual.

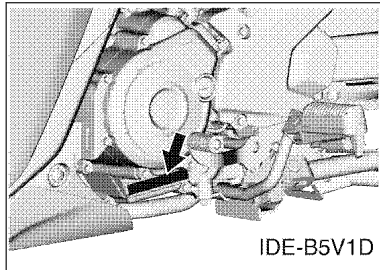
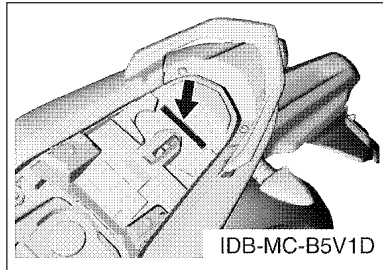
6. The asterisk (*) before a reference number indicates modified items after the first edition.

FOREWORD

7. Applicable Serial No.

Frame Serial No.

Engine Serial No.



8. Applicable Colour Code (The (*) mark shows Model colour.)

Abbreviation	Colour Name	Colour Code
DBNM8	DARK BLUISH GRAY METALLIC 8	0919
MBL2	MAT BLACK 2	0582
MNM3	MAT GRAY METALLIC 3	1278
MS1(*)	MAT SILVER 1	1160
RYC1(*)	REDDISH YELLOW COCKTAIL 1	0251
SMX	BLACK METALLIC X	0903
VPBC5(*)	VIVID PURPLISH BLUE COCKTAIL 5	1177
YB	YAMAHA BLACK	0033

9. Applicable Starting Serial No.

Frame Serial No.

Serial No.	Name Of Q'ty Column	Model Code

Engine Serial No.

Serial No.	Name Of Q'ty Column	Model Code

CONTENTS

ENGINE

CYLINDER HEAD.....	1
CRANKSHAFT & PISTON.....	3
VALVE.....	4
CAMSHAFT & CHAIN.....	5
WATER PUMP.....	6
RADIATOR & HOSE.....	7
OIL PUMP.....	8
INTAKE.....	9
EXHAUST.....	11
CRANKCASE.....	12
CRANKCASE COVER 1.....	13
STARTER CLUTCH.....	14
CLUTCH.....	15
TRANSMISSION.....	17
SHIFT CAM & FORK.....	18
SHIFT SHAFT.....	19

CHASSIS

FRAME.....	20
FENDER.....	21
SIDE COVER.....	22
REAR ARM & SUSPENSION.....	24
STEERING.....	25
FRONT FORK.....	26
FUEL TANK.....	28
SEAT.....	29
FRONT WHEEL.....	30
FRONT BRAKE CALIPER.....	31
REAR WHEEL.....	32
REAR BRAKE CALIPER.....	34
STEERING HANDLE & CABLE.....	35
FRONT MASTER CYLINDER.....	37
STAND & FOOTREST.....	38
REAR MASTER CYLINDER.....	40
LEG SHIELD.....	42
GENERATOR.....	46
STARTING MOTOR.....	47
FLASHER LIGHT.....	48
METER.....	49

HEADLIGHT.....	50
TAILLIGHT.....	51
HANDLE SWITCH & LEVER.....	52
ELECTRICAL 1.....	53
ELECTRICAL 2.....	55

INDEX

NUMERICAL INDEX.....	56
----------------------	----

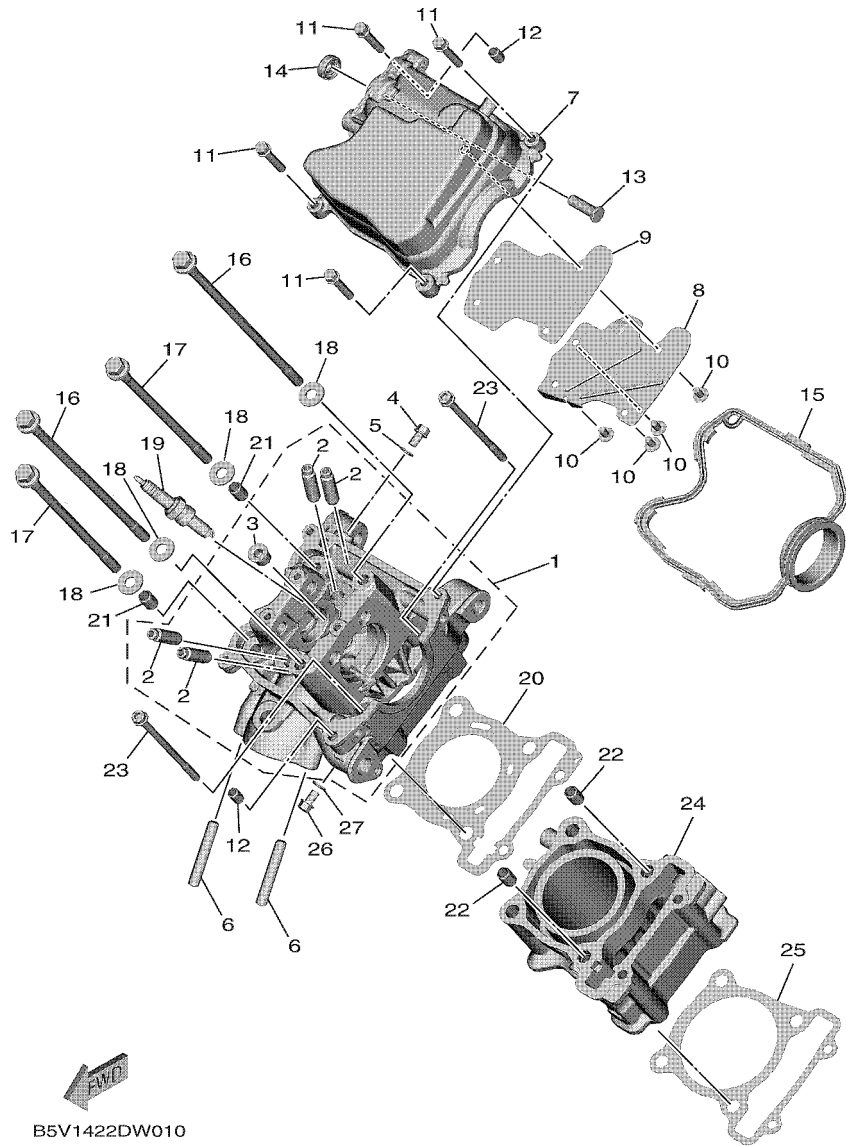
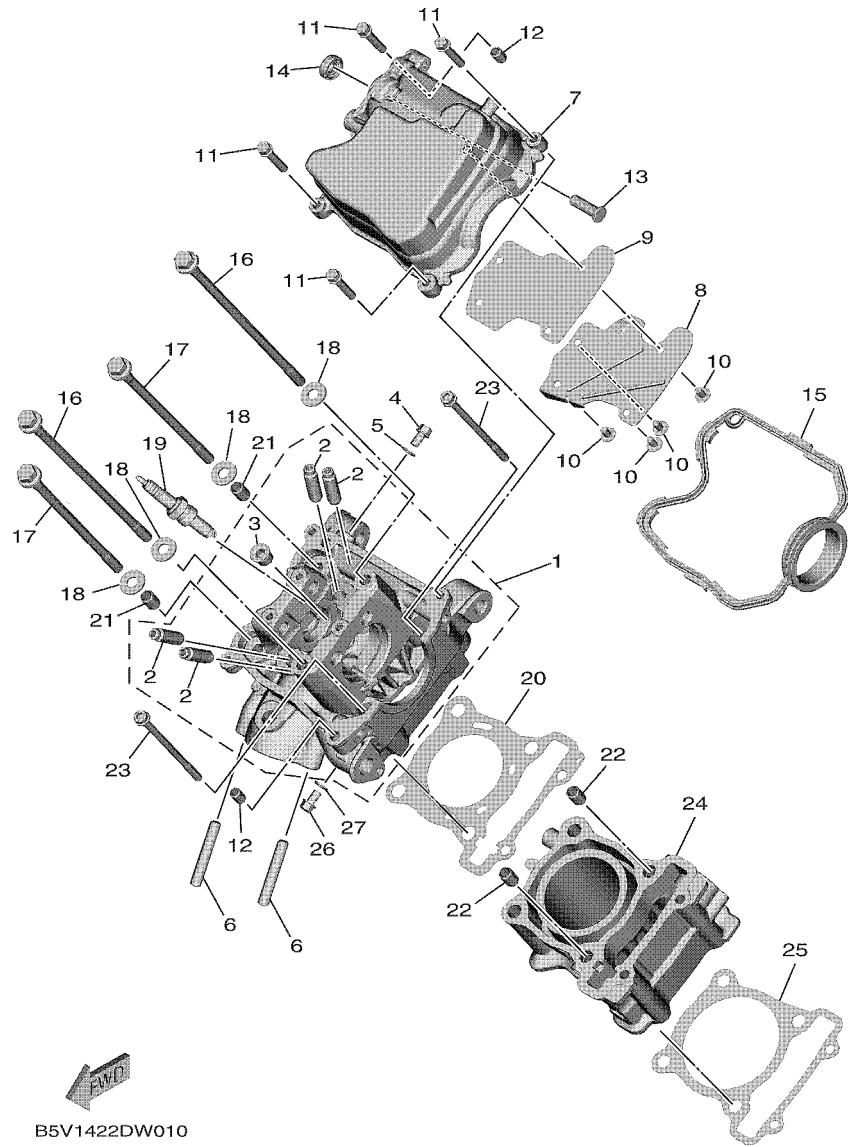


FIG. 1 CYLINDER HEAD

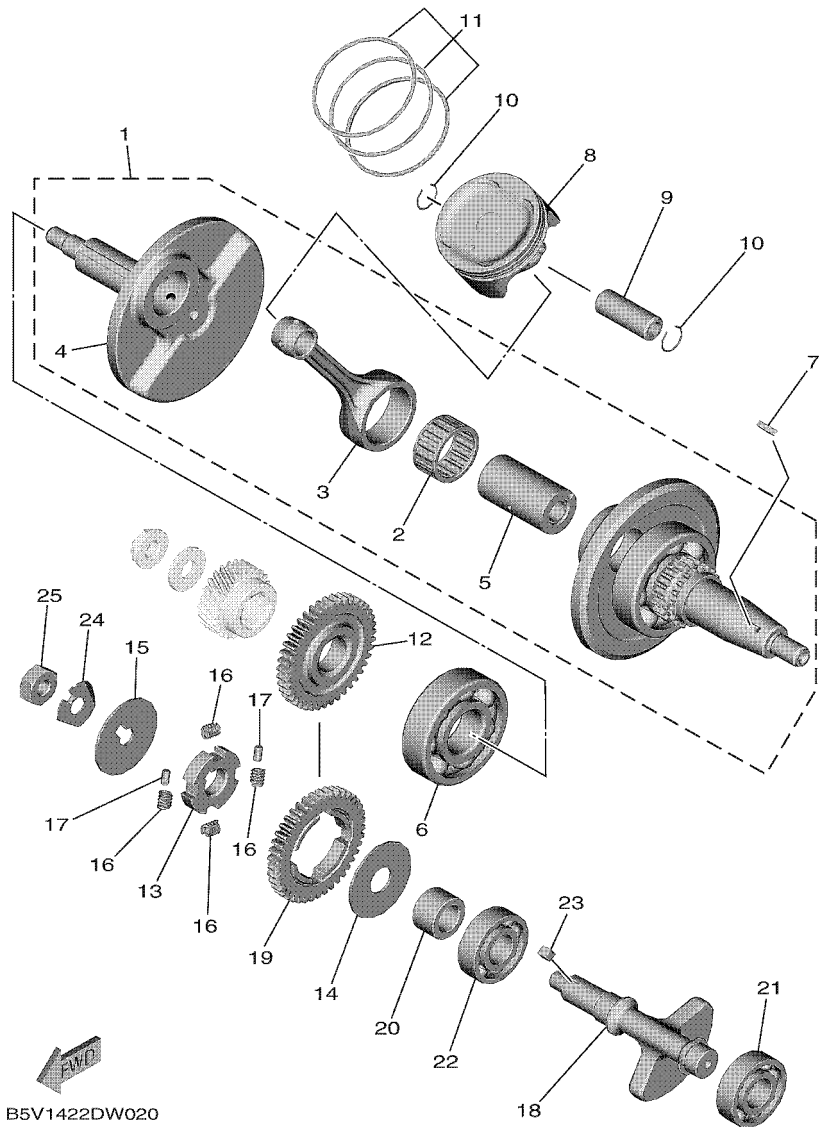
REF. NO.	PART NO.	DESCRIPTION	BAX1				REMARKS
1	BAX-E1102-00	CYLINDER HEAD ASSY	1				
2	B63-E1133-10	.GUIDE, VALVE 1	4				
3	90340-12813	.PLUG, STRAIGHT SCREW	1				
4	95E32-06010	BOLT, FLANGE DEEP RECESS	1				
5	90430-06803	GASKET	1				
6	95612-08635	BOLT, STUD	2				
7	B5V-E1191-00	COVER, CYLINDER HEAD 1	1				
8	B5V-E1165-00	PLATE, BREATHER	1				
9	B5V-E1169-00	GASKET, BREATHER COVER	1				
10	90149-05801	SCREW	4				
11	95E32-06030	BOLT, FLANGE DEEP RECESS	4				
12	99530-08012	PIN, DOWEL	2				
13	BAX-E132G-00	ROD 1	1				UR
	B5V-E132G-00	ROD 1	1				UR
14	93102-08800	OIL SEAL	1				
15	B3F-E1193-00	GASKET, HEAD COVER 1	1				
16	90105-088J0	BOLT, FLANGE	2				
17	90105-088H9	BOLT, FLANGE	2				
18	90201-08859	WASHER, PLATE	4				
19	94700-00415	PLUG, SPARK (NGK CPR8EA)	1				
20	2DP-E1181-00	GASKET, CYLINDER HEAD 1	1				
21	91810-14808	PIN, DOWEL	2				
22	91810-14808	PIN, DOWEL	2				
23	90110-06894	BOLT, HEXAGON SOCKET HEAD	2				
24	B5V-E1311-00	CYLINDER 1	1				
25	B0T-E1351-00	GASKET, CYLINDER	1				
26	95E32-06010	BOLT, FLANGE DEEP RECESS	1				



B5V1422DW010

FIG. 1 CYLINDER HEAD

REF. NO.	PART NO.	DESCRIPTION	BAX1	REMARKS
27	90430-06803	GASKET	1	

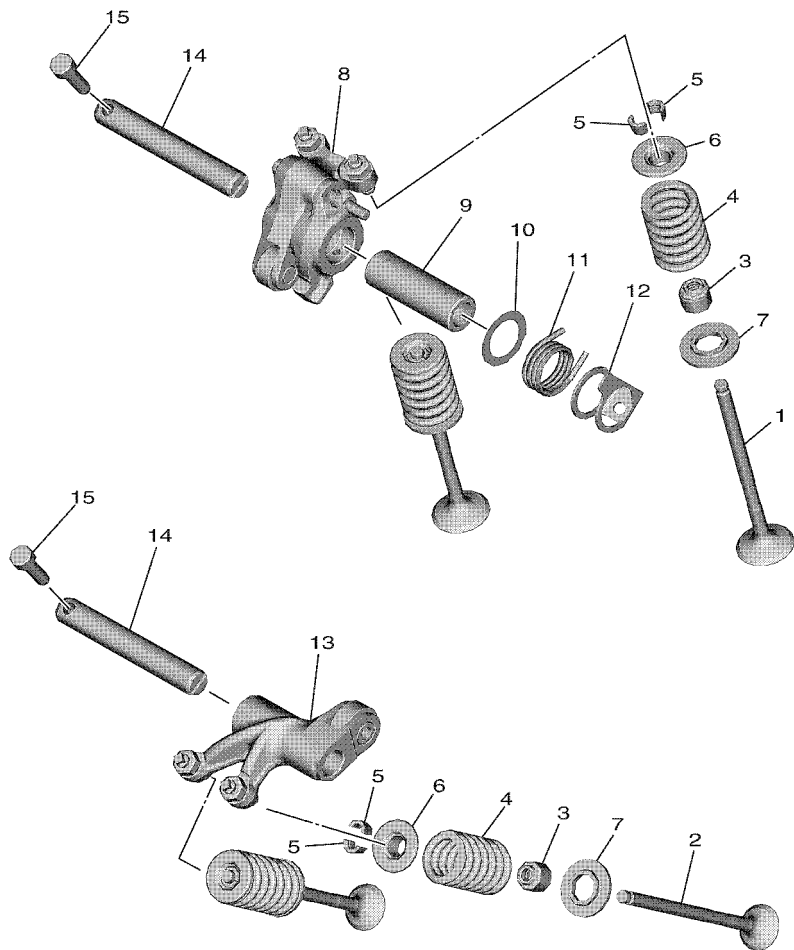


B5V1422DW020

FIG. 2 CRANKSHAFT & PISTON

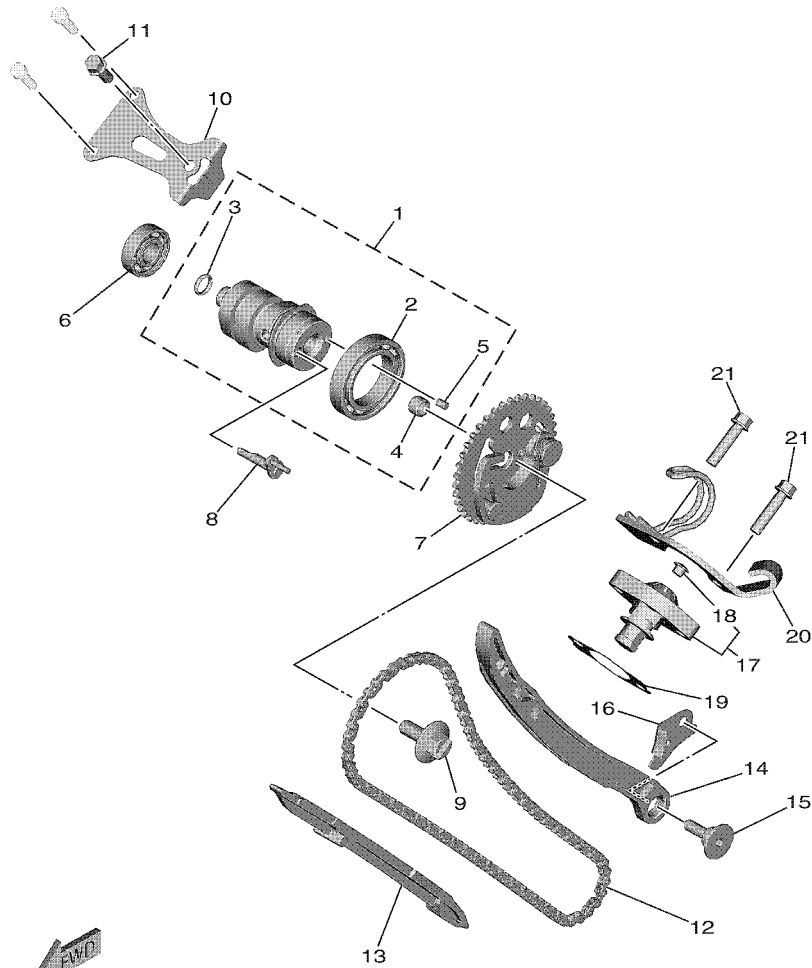
REF. NO.	PART NO.	DESCRIPTION	BAX1				REMARKS
1	B5V-WE140-00	CRANKSHAFT ASSY	1				
2	93310-526YT	.BEARING	1				
3	B5V-E1651-00	.ROD, CONNECTING	1				
4	B5V-E1422-00	.CRANK 2	1				
5	BK6-E1681-00	.PIN, CRANK 1	1				
6	93306-355Y8	BEARING	1				
7	90280-03017	KEY, WOODRUFF	1				
8	B5V-E1631-00	PISTON (STD)	1				
9	5YP-E1633-00	PIN, PISTON	1				
10	93450-15175	CIRCLIP	2				
11	B5V-E1603-00	PISTON RING SET (STD)	1				
12	2ND-E1536-00	GEAR, DRIVE	1				
13	2ND-E1496-00	BOSS, BUFFER	1				
14	90201-15821	WASHER, PLATE	1				
15	90214-10800	WASHER, CLAW	1				
16	90501-16800	SPRING, COMPRESSION	4				
17	93604-08071	PIN, DOWEL	2				
18	BAX-E1454-00	WEIGHT 1	1				
19	2ND-E1531-10	GEAR, BALANCE WEIGHT	1				
20	90387-15810	COLLAR	1				
21	93306-253YM	BEARING	1				
22	93306-253YM	BEARING	1				
23	90282-05031	KEY, STRAIGHT	1				
24	90215-10803	WASHER, LOCK	1				
25	90170-10012	NUT	1				

FIG. 3 VALVE




 B5V1422DW030

REF. NO.	PART NO.	DESCRIPTION	BAX1				REMARKS
1	B5V-E2111-01	VALVE, INTAKE	2				
2	B5V-E2121-00	VALVE, EXHAUST	2				
3	B63-E2119-00	SEAL, VALVE STEM	4				
4	B63-E2113-00	SPRING, VALVE INNER	4				
5	5TL-E2118-00	LOCK, VALVE SPRING RETAINER	8				
6	B63-E2117-01	RETAINER, VALVE SPRING	2				
7	55P-E2126-00	SEAT, VALVE SPRING 2	4				
8	B5V-E2150-00	VALVE ROCKER ARM ASSY	1				
9	BAX-E2166-00	SHAFT, ROCKER 3	1				UR
	B5V-E2166-10	SHAFT, ROCKER 3	1				UR
10	B5V-E1557-00	WASHER 1	1				
11	BK6-E2226-00	SPRING, COIL	1				
12	BAX-E2279-00	PLATE	1				
13	B5V-E2160-01	VALVE ROCKER ARM ASSY 2	1				
14	BAX-E2156-00	SHAFT, ROCKER 2	2				UR
	B5V-E2156-00	SHAFT, ROCKER 2	2				UR
15	91312-05016	BOLT, HEXAGON SOCKET HEAD	2				

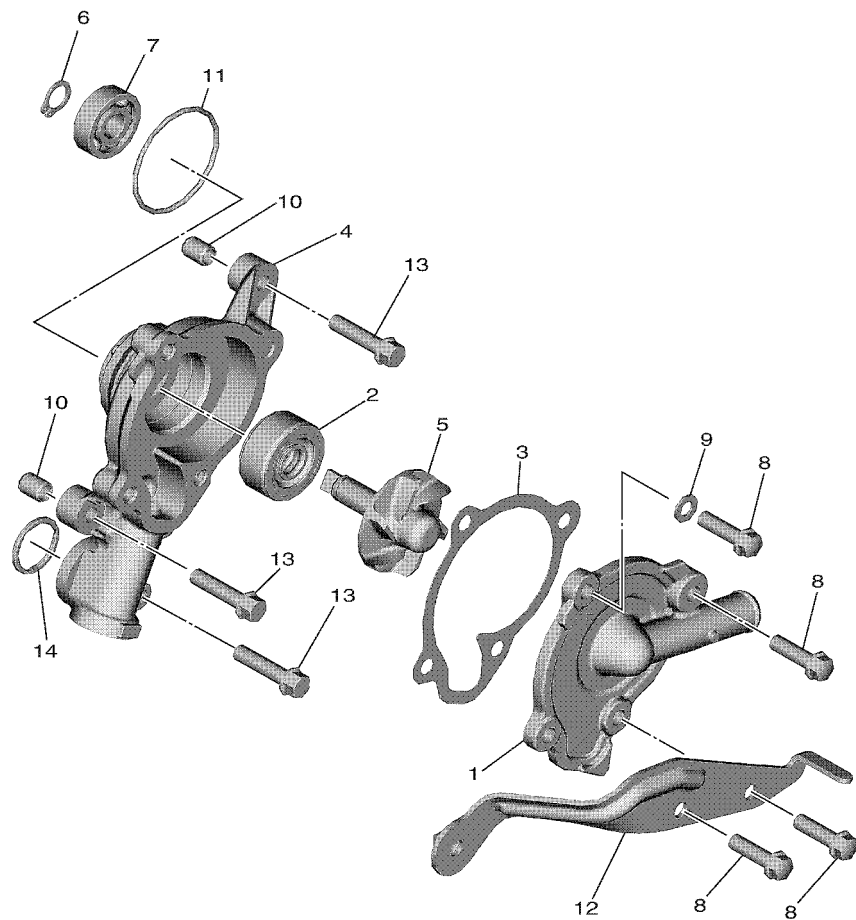


B5V1422DW040

FIG. 4 CAMSHAFT & CHAIN

REF. NO.	PART NO.	DESCRIPTION	BAX1				REMARKS
1	BAX-E2170-00	CAMSHAFT ASSY 1	1				
2	93306-906X4	.BEARING	1				
3	93210-09807	.O-RING	1				
4	91810-07804	.PIN, DOWEL	1				
5	93604-06083	.PIN, DOWEL	1				
6	93306-001YL	BEARING	1				
7	B3M-E2280-00	DECOMPRESSION ASSY	1				
8	B6H-E2288-00	CAM, DECOMPRESSION	1				
9	B63-E2157-00	BOLT	1				
10	BAX-E111F-00	PLATE	1				
11	95E32-06014	BOLT, FLANGE DEEP RECESS	1				
12	94568-J9096	CHAIN	1				
13	B63-E2231-00	GUIDE, STOPPER 1	1				
14	B5V-E2241-00	GUIDE, STOPPER 2	1				
15	1DR-E2228-00	BOLT	1				
16	BAX-E2256-00	COVER, CHAIN	1				
17	2ND-E2210-20	TENSIONER ASSY, CAM CHAIN	1				
18	5MX-E2222-00	.PLUG	1				
19	BAX-E2213-00	GASKET, TENSIONER CASE	1				
20	B5V-E5441-00	HOLDER, CLUTCH CABLE	1				
21	95E32-06025	BOLT, FLANGE DEEP RECESS	2				

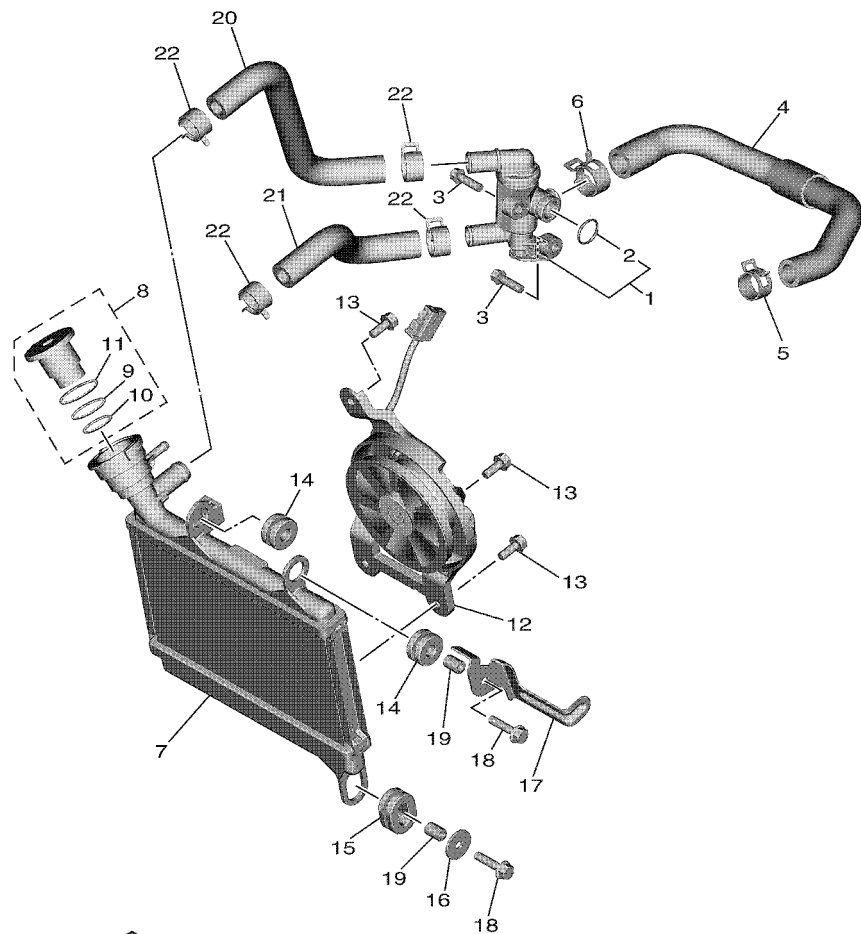
FIG. 5 WATER PUMP



B5V1422DW050

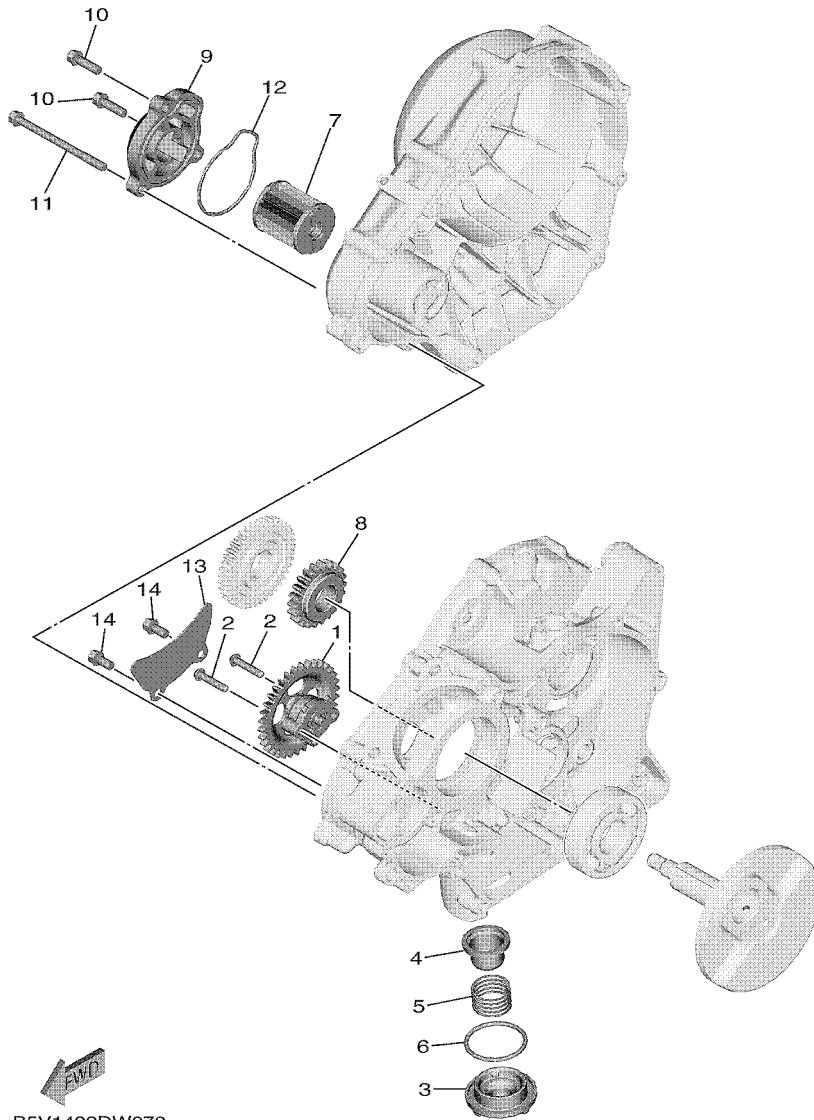
REF. NO.	PART NO.	DESCRIPTION	BAX1				REMARKS
1	BT3-E2422-00	COVER, HOUSING	1				
2	93103-10801	OIL SEAL	1				
3	2DP-E2428-00	GASKET, HOUSING COVER 2	1				
4	B63-E1185-01	COVER, CYLINDER HEAD SIDE 3	1				
5	2DP-E2450-00	IMPELLER SHAFT ASSY	1				
6	99009-10400	CIRCLIP	1				
7	93306-000Y3	BEARING	1				
8	95027-06020	BOLT, FLANGE	4				
9	90430-06803	GASKET	1				
10	99530-08012	PIN, DOWEL	2				
11	93210-39803	O-RING	1				
12	B5V-E2443-10	STAY	1				
13	95E32-06025	BOLT, FLANGE DEEP RECESS	3				
14	93210-19809	O-RING	1				

FIG. 6 RADIATOR & HOSE



B5V1422DW060

REF. NO.	PART NO.	DESCRIPTION	BAX1				REMARKS
1	BK6-E2410-00	THERMOSTAT ASSY	1				
2	52S-12439-00	.O-RING	1				
3	95E32-06020	BOLT, FLANGE DEEP RECESS	2				
4	B5V-E2483-00	PIPE 3	1				
5	90467-19803	CLIP	1				
6	90467-20806	CLIP	1				
7	B5V-E2461-00	RADIATOR COMP	1				
8	B65-E2462-02	CAP, RADIATOR	1				
9	B65-E2439-00	.O-RING	1				
10	B65-E2843-00	.O-RING	1				
11	B63-E22A2-00	.O-RING	1				
12	B5V-E2405-00	BLOWER ASSY	1				
13	5YP-E2675-00	BOLT, BLOWER HOLDING	3				
14	90480-15808	GROMMET	2				
15	90480-01803	GROMMET	1				
16	90201-06880	WASHER, PLATE	1				
17	BAX-E244E-00	BRACKET 1	1				
18	95D32-06025	BOLT, FLANGE DEEP RECESS	2				
19	90387-06144	COLLAR	2				
20	BAX-E2481-00	PIPE 1	1				
21	BAX-E2482-00	PIPE 2	1				
22	90467-19803	CLIP	4				

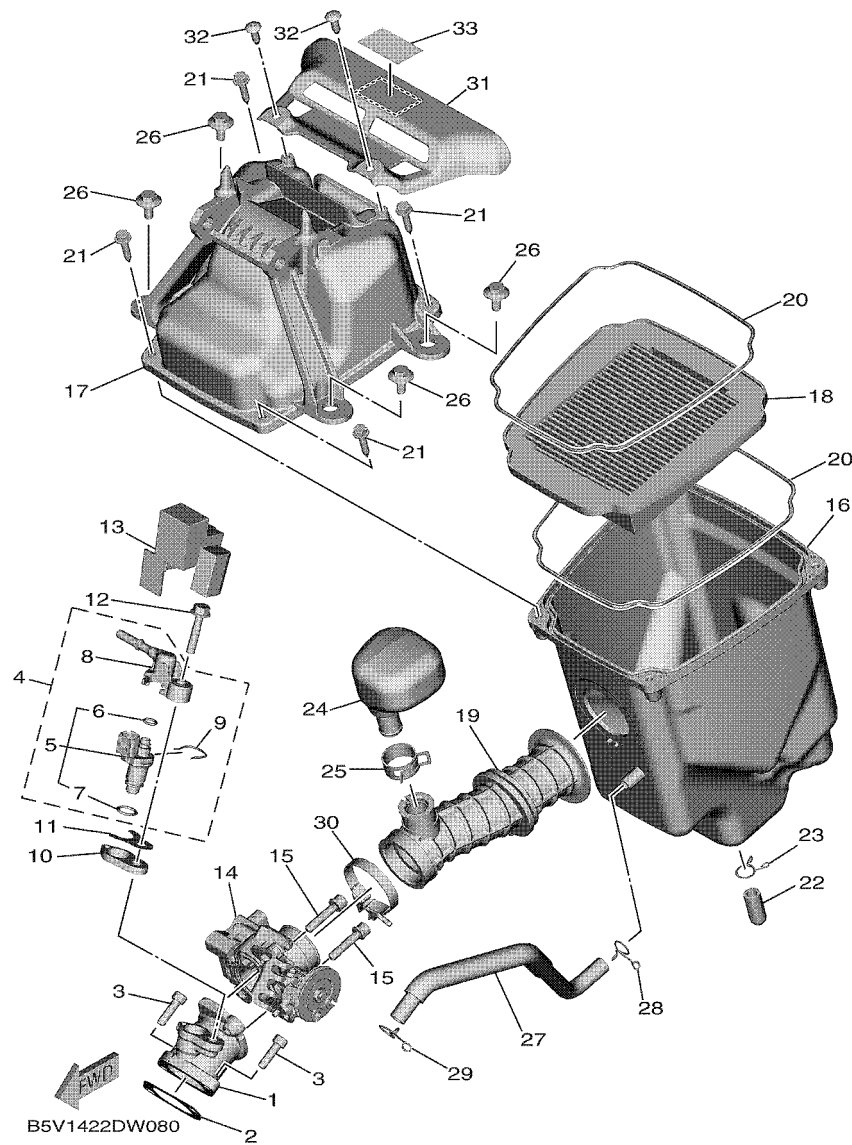


B5V1422DW070

FIG. 7 OIL PUMP

REF. NO.	PART NO.	DESCRIPTION	BAX1				REMARKS
1	2ND-E3300-01	OIL PUMP ASSY	1				
2	90111-05808	BOLT,HEX. SOCKET BUTTON	2				
3	1S8-E5351-00	PLUG, DRAIN	1				
4	38B-E3411-00	STRAINER, OIL	1				
5	90501-18576	SPRING, COMPRESSION	1				
6	93210-34804	O-RING	1				
7	38B-E3440-01	ELEMENT ASSY, OIL CLEANER	1				
8	2ND-E3324-10	GEAR, PUMP DRIVE	1				
9	55C-E3447-00	COVER, OIL ELEMENT	1				
10	95E32-06020	BOLT, FLANGE DEEP RECESS	2				
11	95E32-06080	BOLT, FLANGE DEEP RECESS	1				
12	93210-54808	O-RING	1				
13	3C1-E3327-00	COVER, PUMP GEAR	1				
14	95E32-06012	BOLT, FLANGE DEEP RECESS	2				

FIG. 8 INTAKE



REF. NO.	PART NO.	DESCRIPTION	BAX1				REMARKS
1	BK6-E3585-00	MANIFOLD	1				
2	BAX-E4199-00	GASKET	1				
3	91312-06020	BOLT, HEXAGON SOCKET HEAD	2				
4	BK6-E3770-00	INJECTOR ASSY	1				
5	BK6-E3761-00	.INJECTOR	1				
6	54P-E4147-00	.O-RING	1				
7	5CA-E4147-00	.O-RING	1				
8	54P-E3938-00	.PIPE	1				
9	54P-E4137-00	.CLIP	1				
10	2FB-E3556-00	GASKET, MANIFOLD	1				
11	BAX-E3557-00	GASKET	1				
12	95812-06030	BOLT, FLANGE	1				
13	2ND-E3767-10	CAP, INJECTOR	1				
14	B5V-E3750-00	THROTTLE BODY ASSY	1				
15	90110-06846	BOLT, HEXAGON SOCKET HEAD	2				
16	B5V-E4411-00	CASE, AIR CLEANER 1	1				
17	B5V-E4412-00	CAP, CLEANER CASE 1	1				
18	B5V-E4450-00	ELEMENT ASSY, AIR CLEANER	1				
19	B5V-E4453-00	JOINT, AIR CLEANER 1	1				
20	2ND-E4452-00	SEAL	2				
21	90163-05803	SCREW, TAPPING	4				
22	5WP-E443E-00	PIPE, DRAIN	1				
23	90467-11019	CLIP	1				
24	B5V-E4877-00	RESONATOR	1				
25	90467-22802	CLIP	1				
26	90109-06202	BOLT	4				
27	B5V-E1166-00	PIPE, BREATHER 1	1				

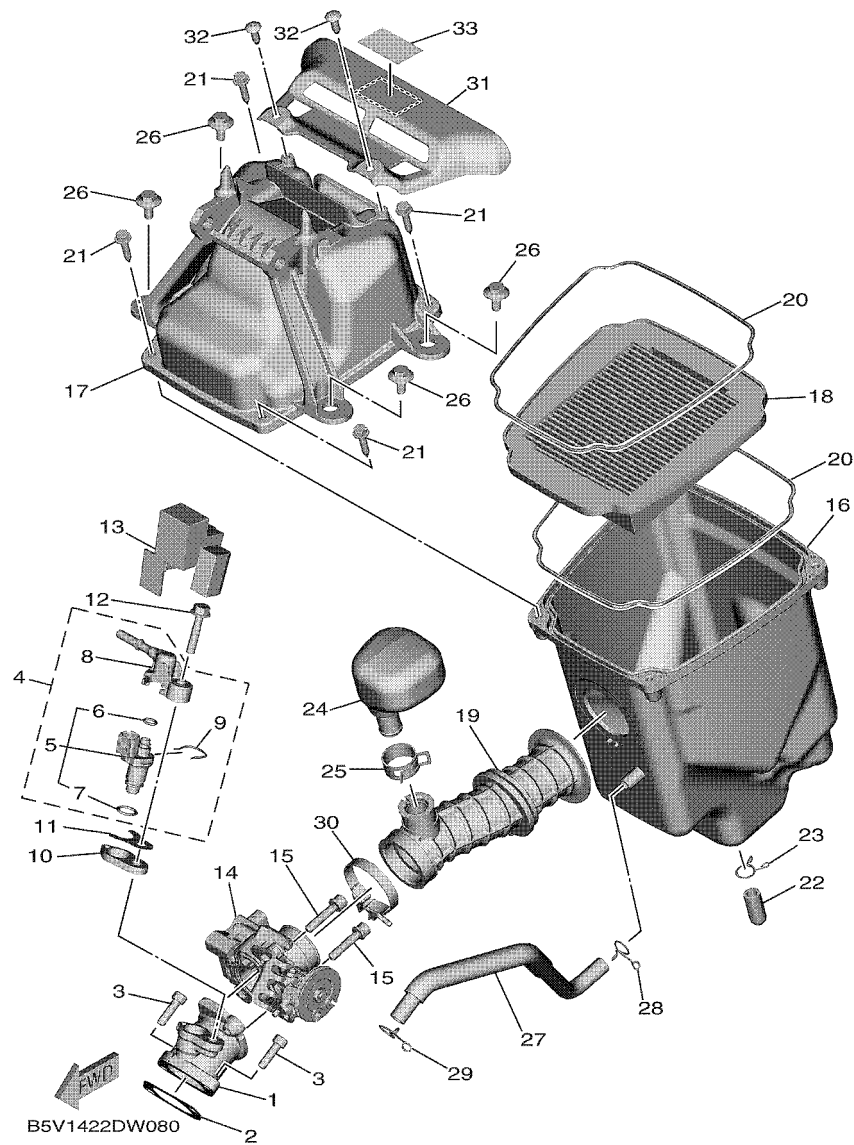
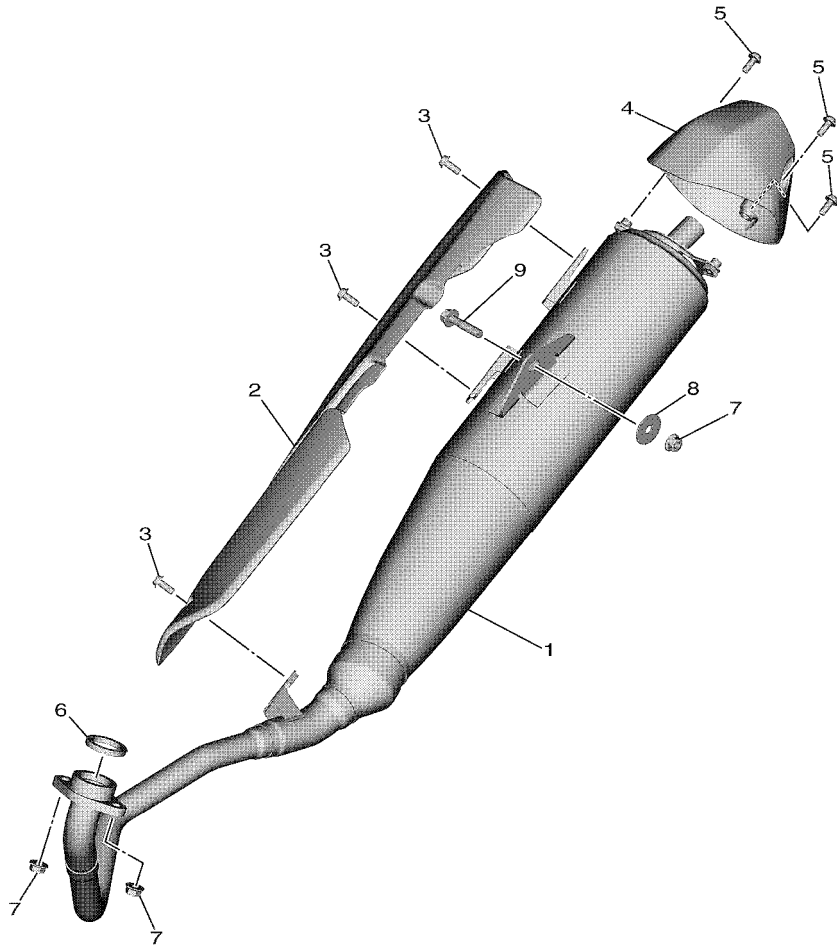


FIG. 8 INTAKE

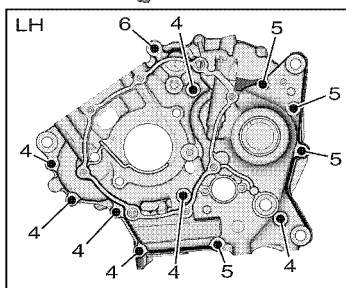
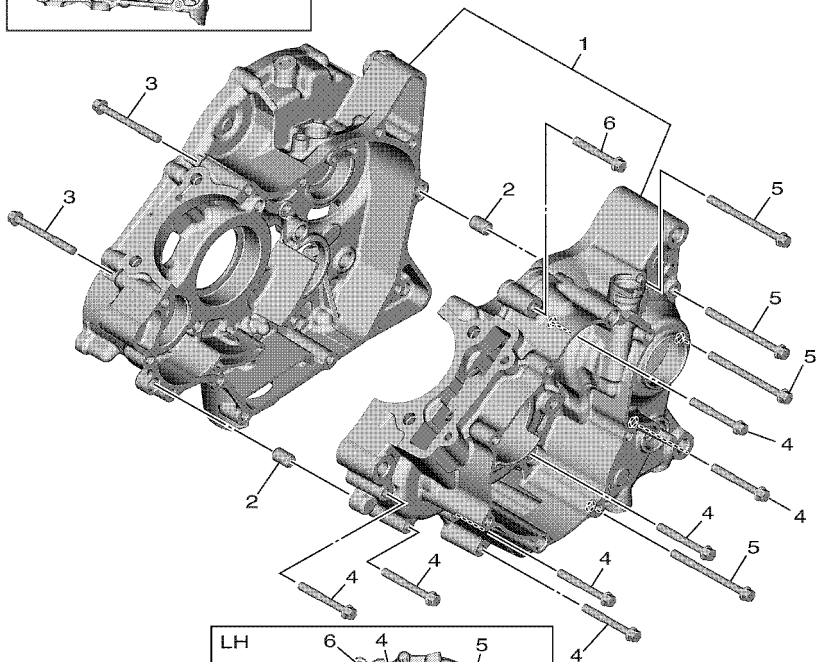
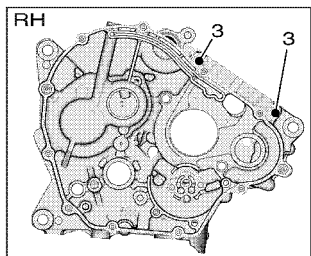
REF. NO.	PART NO.	DESCRIPTION	BAX1				REMARKS
28	90467-11825	CLIP	1				
29	90467-12052	CLIP	1				
30	90450-43805	HOSE CLAMP ASSY	1				
31	B5V-E4417-00	COVER 1	1				
32	90160-05012	SCREW, ROUND TAPPING	2				
33	55C-F815P-00	LABEL, NOTICE 1	1				



B5V1422DW090

FIG. 9 EXHAUST

REF. NO.	PART NO.	DESCRIPTION	BAX1				REMARKS
1	BAX-E4703-00	MUFFLER COMP. 1	1				
2	BAX-E4718-00	PROTECTOR, MUFFLER 1	1				
3	90111-06807	BOLT,HEX. SOCKET BUTTON	3				
4	BAX-E4799-00	CAP	1				
5	90111-06807	BOLT,HEX. SOCKET BUTTON	3				
6	BK7-E4613-00	GASKET, EXHAUST PIPE	1				
7	95702-08500	NUT, FLANGE	3				
8	90201-08612	WASHER, PLATE	1				
9	95D32-08035	BOLT, FLANGE DEEP RECESS	1				



B5V1422DW100

FIG. 10 CRANKCASE

REF. NO.	PART NO.	DESCRIPTION	BAX1	REMARKS
1	BAX-E5150-00	CRANKCASE ASSY	1	
2	91810-14808	PIN, DOWEL	2	
3	95E32-06055	BOLT, FLANGE DEEP RECESS	2	
4	95E32-06045	BOLT, FLANGE DEEP RECESS	7	
5	95E32-06070	BOLT, FLANGE DEEP RECESS	4	
6	95E32-06040	BOLT, FLANGE DEEP RECESS	1	

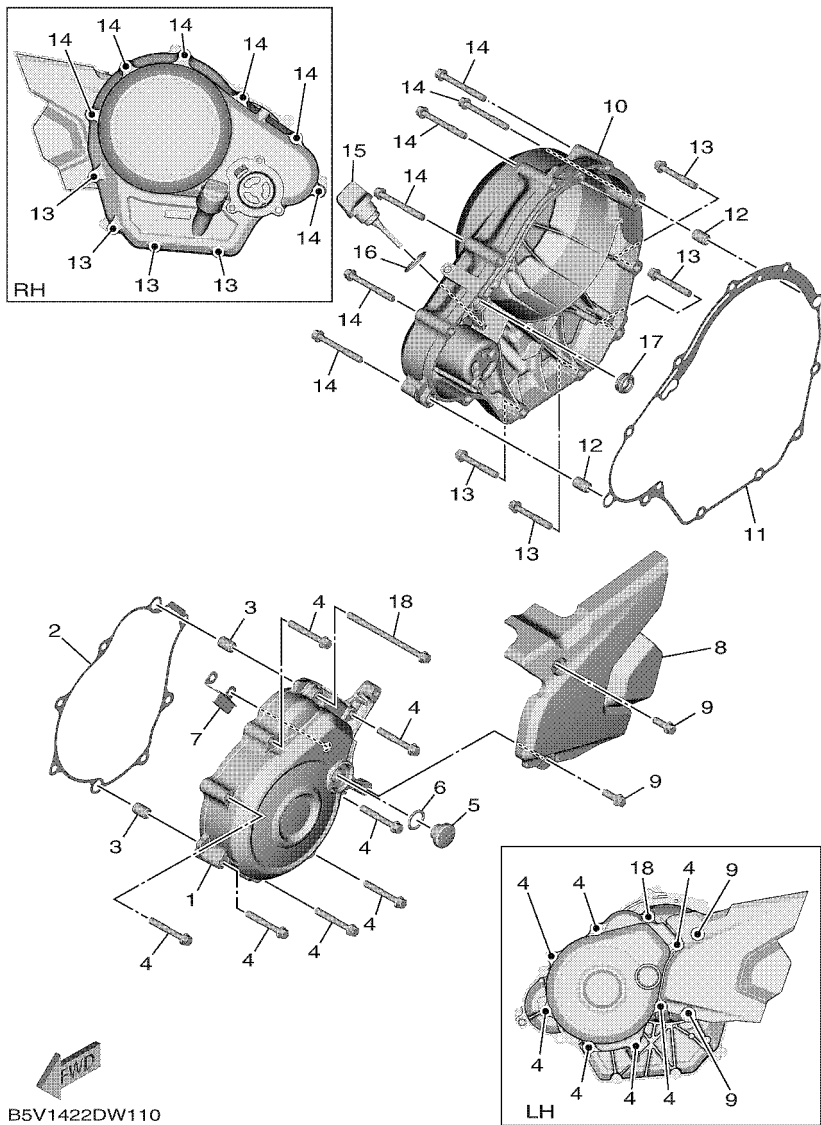
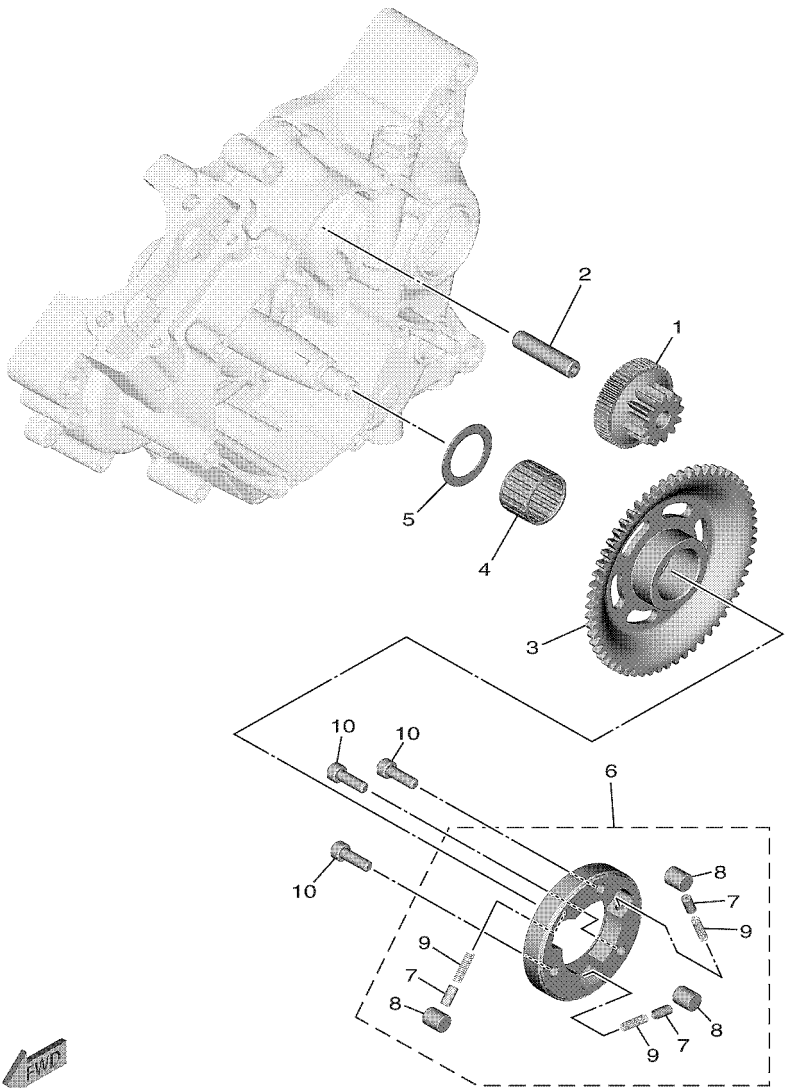


FIG. 11 CRANKCASE COVER 1

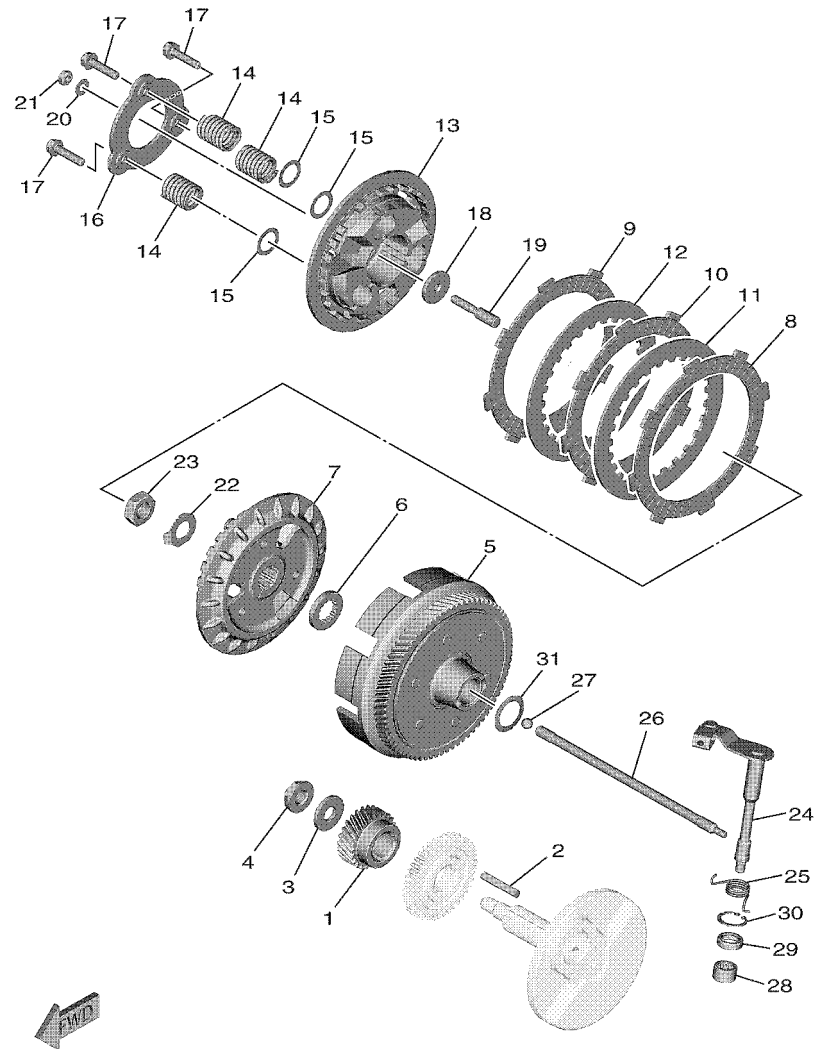
REF. NO.	PART NO.	DESCRIPTION	BAX1	REMARKS
1	BAX-E5411-00	COVER, CRANKCASE 1	1	
2	BAX-E5451-00	GASKET, CRANKCASE COVER 1	1	
3	91810-14808	PIN, DOWEL	2	
4	95E32-06040	BOLT, FLANGE DEEP RECESS	7	
5	90340-14824	PLUG, STRAIGHT SCREW	1	
6	93210-14899	O-RING	1	
7	2ND-E5113-00	PLATE	1	
8	BAX-E5418-10	COVER, CHAIN CASE	1	
9	95E32-06016	BOLT, FLANGE DEEP RECESS	2	
10	BAX-E5421-00	COVER, CRANKCASE 2	1	
11	BAX-E5461-00	GASKET, CRANKCASE COVER 2	1	
12	91810-14808	PIN, DOWEL	2	
13	95E32-06040	BOLT, FLANGE DEEP RECESS	4	
14	95E32-06050	BOLT, FLANGE DEEP RECESS	6	
15	BAX-E5362-00	PLUG, OIL LEVEL	1	
16	93210-19809	O-RING	1	
17	93101-10843	OIL SEAL	1	
18	95E32-06090	BOLT, FLANGE DEEP RECESS	1	



B5V1422DW120

FIG. 12 STARTER CLUTCH

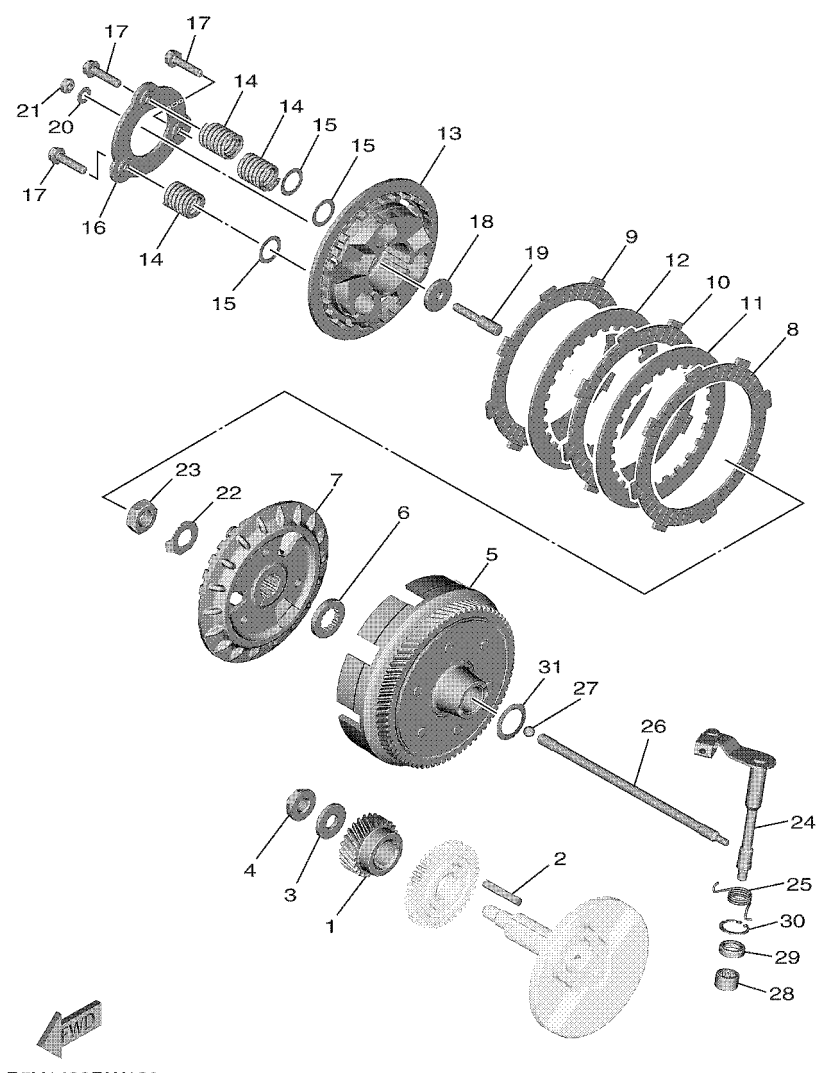
REF. NO.	PART NO.	DESCRIPTION	BAX1				REMARKS
1	B17-E5514-00	GEAR 2	1				
2	1S8-E5521-00	SHAFT 1	1				
3	2ND-E5524-01	WHEEL, STARTER	1				
4	93310-325YC	BEARING	1				
5	90201-25290	WASHER, PLATE	1				
6	2PV-E5580-00	STARTER CLUTCH OUTER ASSY	1				
7	2PH-E5583-10	.CAP, STARTER CLUTCH SPRING	3				
8	1ST-E5614-00	.PIN, DOWEL	3				
9	2PV-E5572-00	.SPRING, RETURN	3				
10	90110-06873	BOLT, HEXAGON SOCKET HEAD	3				



B5V1422DW130

FIG. 13 CLUTCH

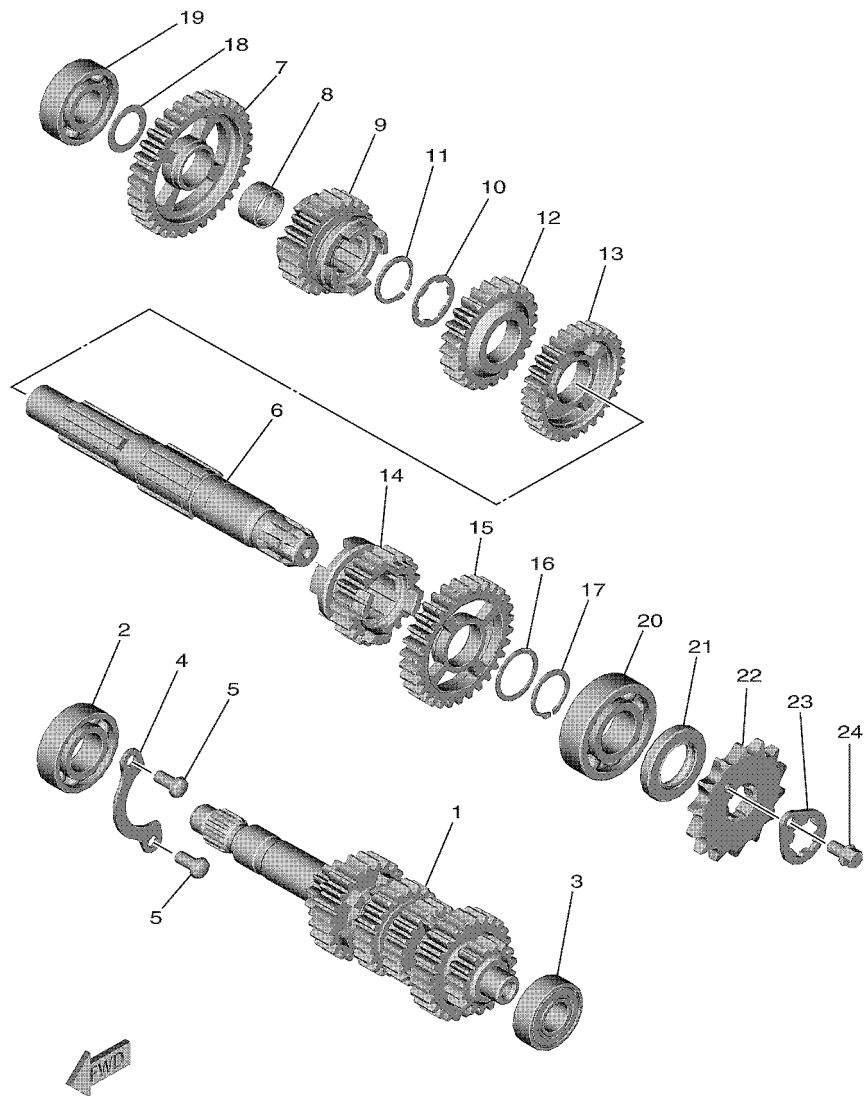
REF. NO.	PART NO.	DESCRIPTION	BAX1				REMARKS
1	2ND-E6111-00	GEAR, PRIMARY DRIVE	1				UR
	2ND-E6111-10	GEAR, PRIMARY DRIVE	1				UR
2	55P-E6193-00	KEY, FEATHER	1				
3	90201-12019	WASHER, PLATE	1				
4	B5V-E6647-00	NUT	1				
5	B5V-E6150-00	PRIMARY DRIVEN GEAR COMP.	1				
6	2ND-E6154-00	PLATE, THRUST 1	1				
7	B5V-E6371-00	BOSS, CLUTCH	1				
8	2ND-E6321-00	PLATE, FRICTION	1				
9	B5V-E6331-00	PLATE, FRICTION 2	1				
10	B5V-E6321-00	PLATE, FRICTION	1				
11	B5V-E6325-00	PLATE, CLUTCH 2	1				
12	B5V-E6324-00	PLATE, CLUTCH 1	1				
13	B5V-E6351-00	PLATE, PRESSURE 1	1				
14	BK6-E6333-00	SPRING, CLUTCH 1	3				
15	BK6-E6774-00	WASHER	3				
16	B5V-E6352-00	PLATE, PRESSURE 2	1				
17	B5V-E6337-00	SCREW, SPRING	3				
18	B5V-E6358-00	PLATE, PUSH	1				
19	B5V-E6356-00	ROD, PUSH 1	1				
20	2ND-E6144-00	WASHER	1				
21	2ND-E6344-00	NUT, ADJUSTING	1				
22	90215-14802	WASHER, LOCK	1				
23	90170-14801	NUT	1				
24	B5V-E6380-00	PUSH LEVER ASSY	1				
25	B5V-E6345-00	SPRING, RETURN	1				
26	2ND-E6357-00	ROD, PUSH 2	1				



B5V1422DW130

FIG. 13 CLUTCH

REF. NO.	PART NO.	DESCRIPTION	BAX1	REMARKS
27	93505-16844	BALL	1	
28	93315-112Y9	BEARING	1	
29	93102-12810	OIL SEAL	1	
30	99009-20500	CIRCLIP	1	
31	90208-20003	WASHER, CONICAL SPRING	1	

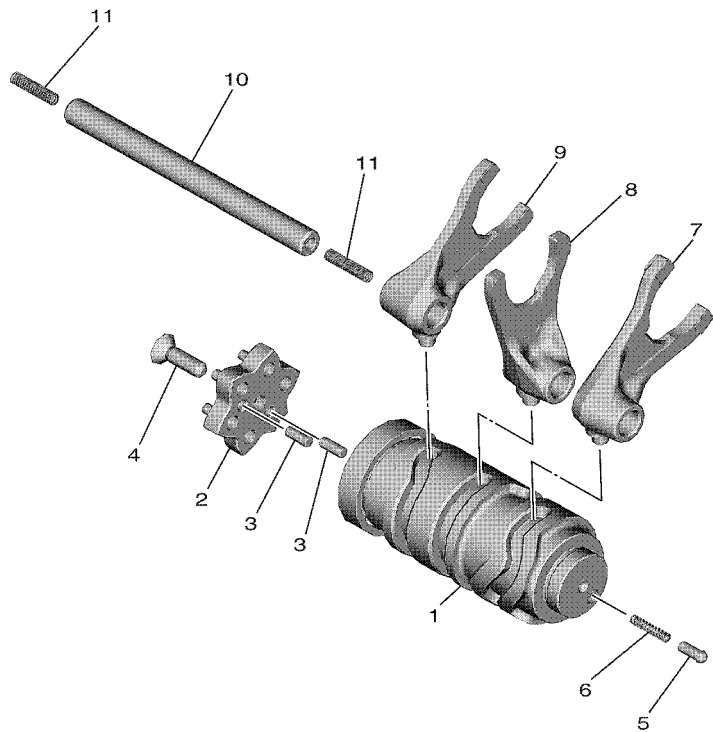


B5V1422DW140

FIG. 14 TRANSMISSION

REF. NO.	PART NO.	DESCRIPTION	BAX1				REMARKS
1	B5V-E7410-00	MAIN AXLE COMP.	1				
2	93306-054XF	BEARING	1				
3	933A6-202X0	BEARING	1				
4	16S-E7471-00	PLATE, COVER	1				
5	98512-06012	SCREW, PAN HEAD	2				
6	B5V-E7421-00	AXLE, DRIVE	1				
7	55P-E7211-00	GEAR, 1ST WHEEL (34T)	1				
8	90387-17804	COLLAR	1				
9	B5V-E7251-00	GEAR, 5TH WHEEL (22T)	1				
10	90209-18208	WASHER	1				
11	93410-22039	CIRCLIP	1				
12	B5V-E7241-00	GEAR, 4TH WHEEL (24T)	1				
13	B5V-E7231-00	GEAR, 3RD WHEEL (30T)	1				
14	B5V-E7261-00	GEAR, 6TH WHEEL (21T)	1				
15	B5V-E7221-00	GEAR, 2ND WHEEL (30T)	1				
16	90201-22793	WASHER, PLATE	1				
17	93410-22039	CIRCLIP	1				
18	90201-173F4	WASHER, PLATE	1				
19	93306-203XR	BEARING	1				
20	93306-272YC	BEARING	1				
21	93102-22827	OIL SEAL	1				
22	93822-14800	SPROCKET, DRIVE (14T)	1				
23	1S8-E7456-00	HOLDER, SPROCKET	1				
24	95E32-06010	BOLT, FLANGE DEEP RECESS	1				

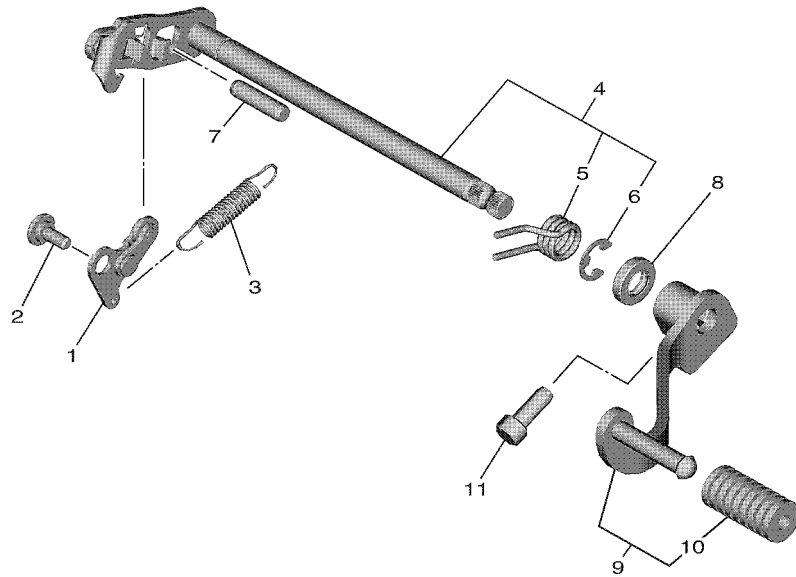
FIG. 15 SHIFT CAM & FORK



REF. NO.	PART NO.	DESCRIPTION	BAX1	REMARKS
1	B5V-E8540-00	SHIFT CAM ASSY	1	
2	BK7-E8185-00	SEGMENT	1	
3	93604-10011	PIN, DOWEL	2	
4	90151-06818	SCREW, COUNTERSUNK	1	
5	3S4-E8542-00	POINT, NEUTRAL	1	
6	90501-06022	SPRING, COMPRESSION	1	
7	2ND-E8511-00	FORK, SHIFT 1	1	
8	2ND-E8512-00	FORK, SHIFT 2	1	
9	2ND-E8513-00	FORK, SHIFT 3	1	
10	2ND-E8531-00	BAR, SHIFT FORK GUIDE 1	1	
11	90501-06800	SPRING, COMPRESSION	2	


 B5V1422DW150

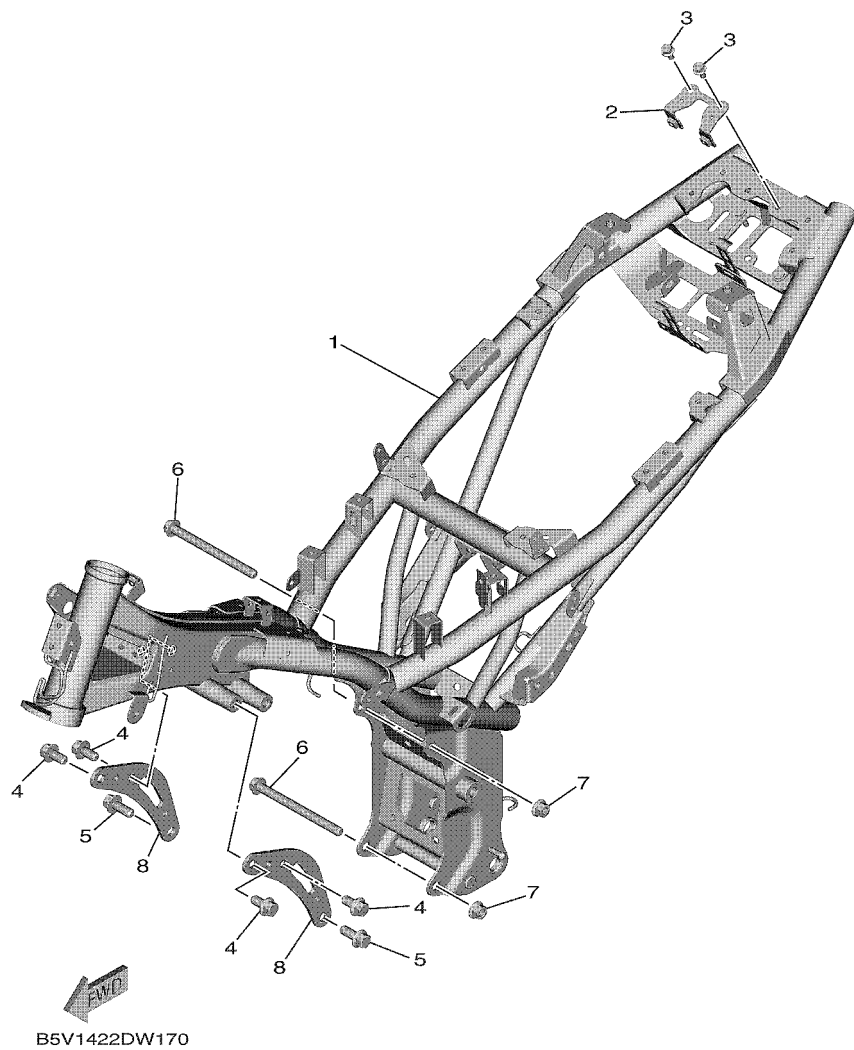
FIG. 16 SHIFT SHAFT




 B5V1422DW160

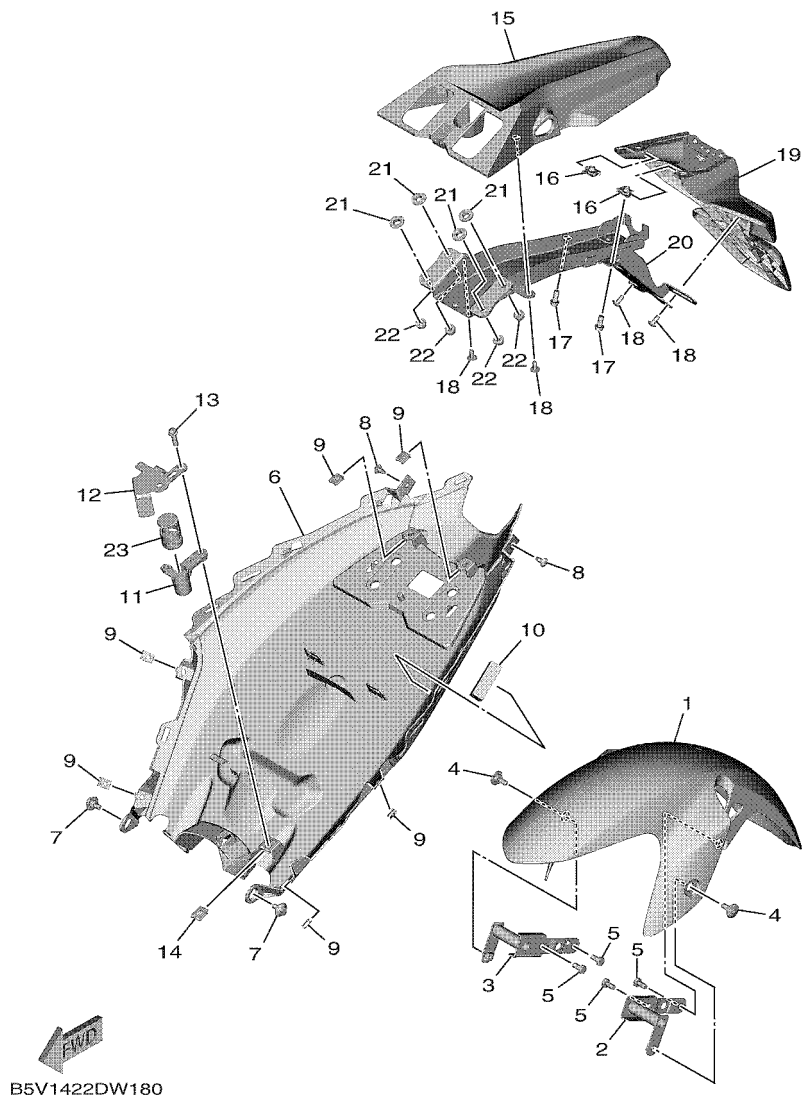
REF. NO.	PART NO.	DESCRIPTION	BAX1				REMARKS
1	B5V-E8140-00	STOPPER LEVER ASSY	1				
2	90109-06279	BOLT	1				
3	B5V-E8337-00	SPRING	1				
4	B5V-E8101-00	SHIFT SHAFT ASSY	1				
5	90508-32837	.SPRING, TORSION	1				
6	99002-10600	.CIRCLIP	1				
7	93608-30839	PIN, DOWEL	1				
8	93102-12808	OIL SEAL	1				
9	BAX-E8110-00	SHIFT PEDAL ASSY	1				
10	5HU-E8113-00	.COVER, SHIFT PEDAL	1				
11	91312-08020	BOLT, HEXAGON SOCKET HEAD	1				

FIG. 17 FRAME



REF. NO.	PART NO.	DESCRIPTION	BAX1				REMARKS
1	BAX-F1110-00	FRAME COMP.	1				
2	BAX-F478X-00	BRACKET, SEAT LOCK	1				
3	95D02-06012	BOLT, FLANGE DEEP RECESS	2				
4	95812-10020	BOLT, FLANGE	4				
5	95817-10025	BOLT, FLANGE	2				
6	90105-108B4	BOLT, FLANGE	2				
7	90179-10805	NUT	2				
8	B5V-F1315-00	STAY, ENGINE 1	2				

FIG. 18 FENDER



REF. NO.	PART NO.	DESCRIPTION	BAX1	REMARKS
1	B17-F1511-10-P1	FENDER, FRONT	1	UR FOR VPBC5
	B17-F1511-10-P4	FENDER, FRONT	1	UR FOR RYC1
	B17-F1511-10-P5	FENDER, FRONT	1	UR FOR MS1
2	B17-F1513-00	STAY, FENDER 1	1	
3	B17-F1514-00	STAY, FENDER 2	1	
4	90109-068A4	BOLT	2	
5	97022-06012	BOLT, HEXAGON	4	
6	BAX-F1611-00	FENDER, REAR	1	
7	90109-06202	BOLT	2	
8	97707-50012	SCREW, TRUSS HEAD TAPPING	2	
9	90183-05807	NUT, SPRING	6	
10	90520-15013	DAMPER, PLATE	1	
11	B5V-F465E-00	ROTOR COMP.	1	
12	BAX-F117K-00	STAY, LOCK	1	
13	95022-06020	BOLT, FLANGE	1	
14	90183-06800	NUT, SPRING	1	
15	BAX-F1629-00	GUARD, MUD	1	
16	90183-06800	NUT, SPRING	2	
17	95022-06014	BOLT, FLANGE	2	
18	90160-05018	SCREW, ROUND TAPPING	4	
19	BAX-F2328-00	MUD GUARD 2	1	
20	BAX-F164F-00	STAY 1	1	
21	90387-08850	COLLAR	4	
22	95602-06200	NUT, SELF-LOCKING	4	
23	BAX-F482H-00	CAP	1	

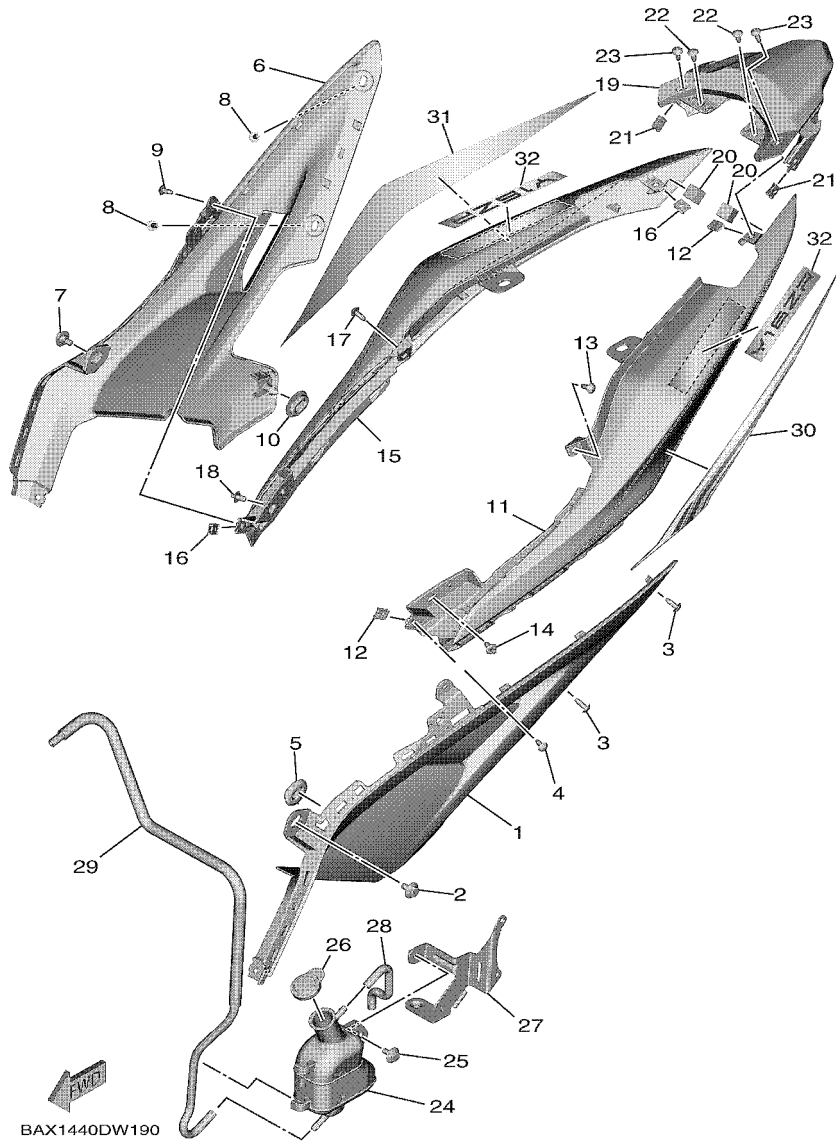


FIG. 19 SIDE COVER

REF. NO.	PART NO.	DESCRIPTION	BAX1	REMARKS
1	BAX-F1711-00	COVER, SIDE 1	1	
2	90109-06202	BOLT	1	
3	90160-05009	SCREW, ROUND TAPPING	2	
4	97707-50012	SCREW, TRUSS HEAD TAPPING	1	
5	90480-01821	GROMMET	1	
6	BAX-F1721-00	COVER, SIDE 2	1	
7	90109-06202	BOLT	1	
8	90160-05009	SCREW, ROUND TAPPING	2	
9	97707-50012	SCREW, TRUSS HEAD TAPPING	1	
10	90480-01821	GROMMET	1	
11	BAX-F1731-00-P0	COVER, SIDE 3	1	UR SMX FOR VPBC5
	BAX-F1731-00-P1	COVER, SIDE 3	1	UR MNM3 FOR RYC1
	BAX-F1731-00-P2	COVER, SIDE 3	1	UR DBNM8 FOR MS1
12	90183-05807	NUT, SPRING	2	
13	90160-05009	SCREW, ROUND TAPPING	1	
14	90269-06816	RIVET	1	
15	BAX-F1741-00-P0	COVER, SIDE 4	1	UR SMX FOR VPBC5
	BAX-F1741-00-P1	COVER, SIDE 4	1	UR MNM3 FOR RYC1
	BAX-F1741-00-P2	COVER, SIDE 4	1	UR DBNM8 FOR MS1
16	90183-05807	NUT, SPRING	2	
17	90160-05009	SCREW, ROUND TAPPING	1	
18	90269-06816	RIVET	1	
19	BAX-F171E-00	COVER, SIDE 5	1	
20	90520-15012	DAMPER, PLATE	2	
21	90183-05807	NUT, SPRING	2	
22	97707-50012	SCREW, TRUSS HEAD TAPPING	2	
23	90160-05009	SCREW, ROUND TAPPING	2	

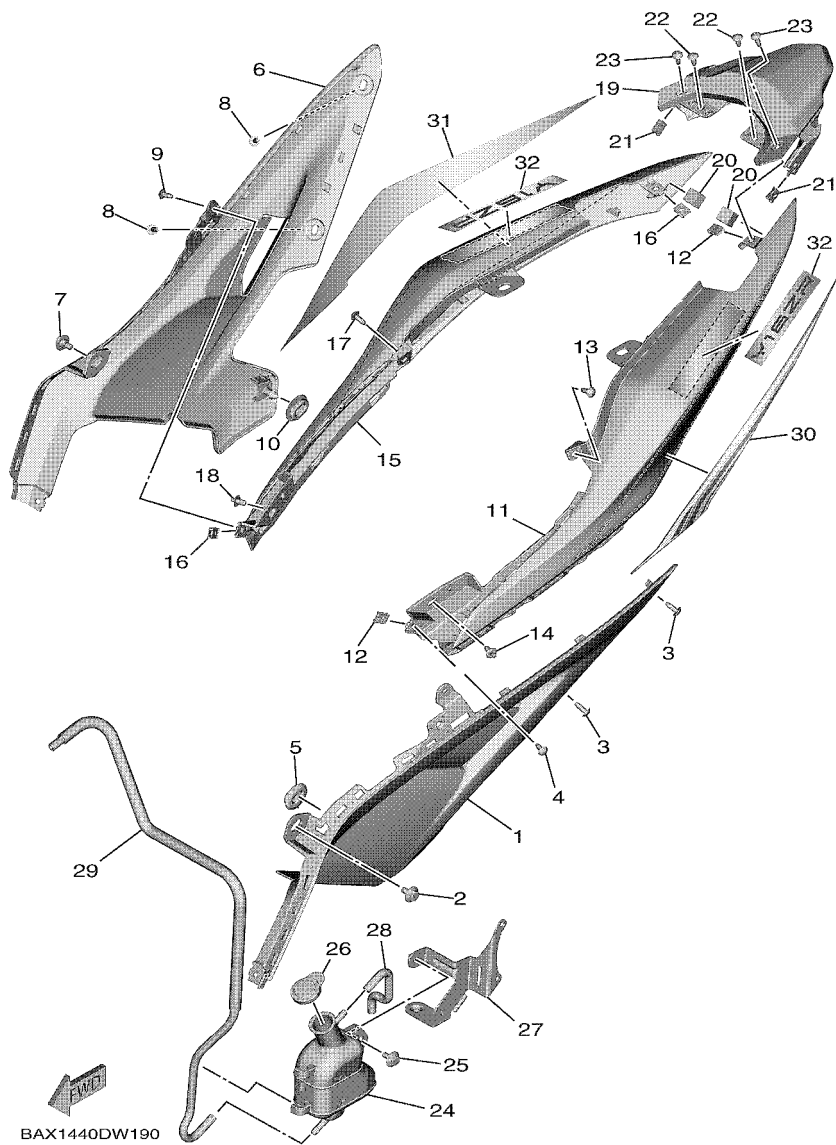
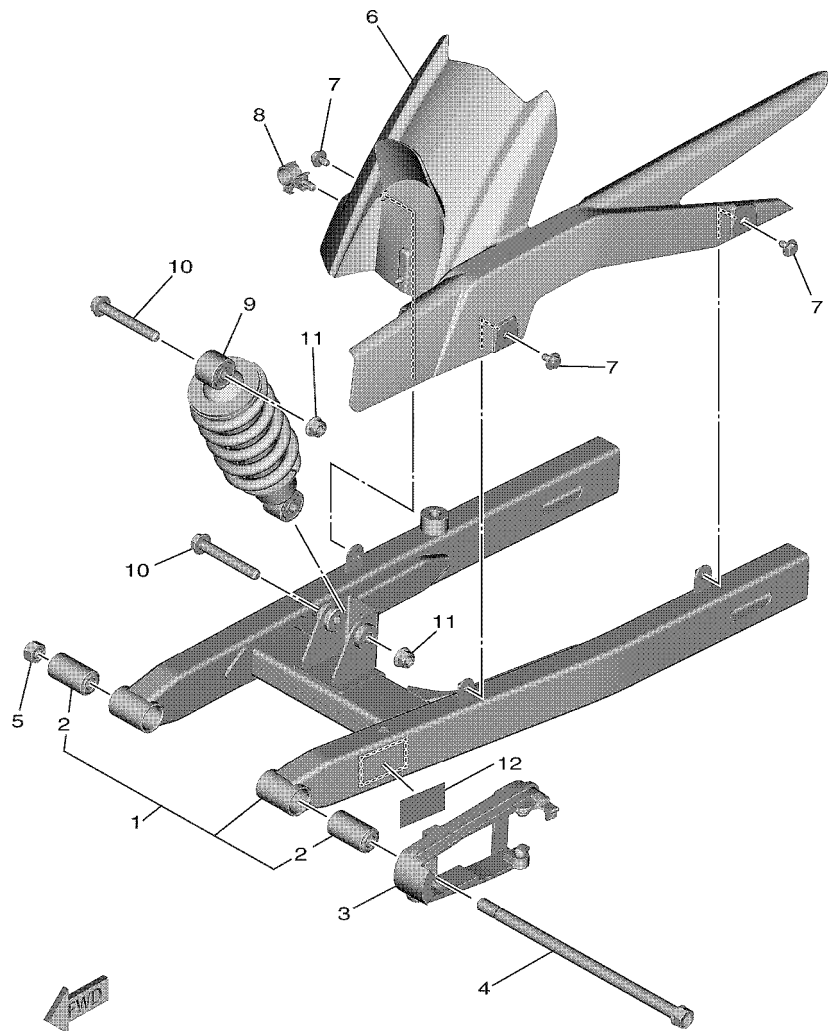


FIG. 19 SIDE COVER

REF. NO.	PART NO.	DESCRIPTION	BAX1				REMARKS
24	B5V-F1871-00	TANK, RECOVERY	1				
25	90109-068B4	BOLT	1				
26	1S9-F1875-00	CAP	1				
27	BAX-F172L-00	BRACKET 2	1				
28	BAX-F1816-00	PIPE 1	1				
29	BAX-F1817-00	PIPE 2	1				
30	BAX-F173E-00	GRAPHIC 1	1				UR FOR VPBC5
	BAX-F173E-10	GRAPHIC 1	1				UR FOR RYC1
	BAX-F173E-20	GRAPHIC 1	1				UR FOR MS1
31	BAX-F173F-00	GRAPHIC 2	1				UR FOR VPBC5
	BAX-F173F-10	GRAPHIC 2	1				UR FOR RYC1
	BAX-F173F-20	GRAPHIC 2	1				UR FOR MS1
32	BAX-F174G-00	GRAPHIC 3	2				UR FOR VPBC5
	BAX-F174G-10	GRAPHIC 3	2				UR FOR RYC1
	BAX-F174G-20	GRAPHIC 3	2				UR FOR MS1

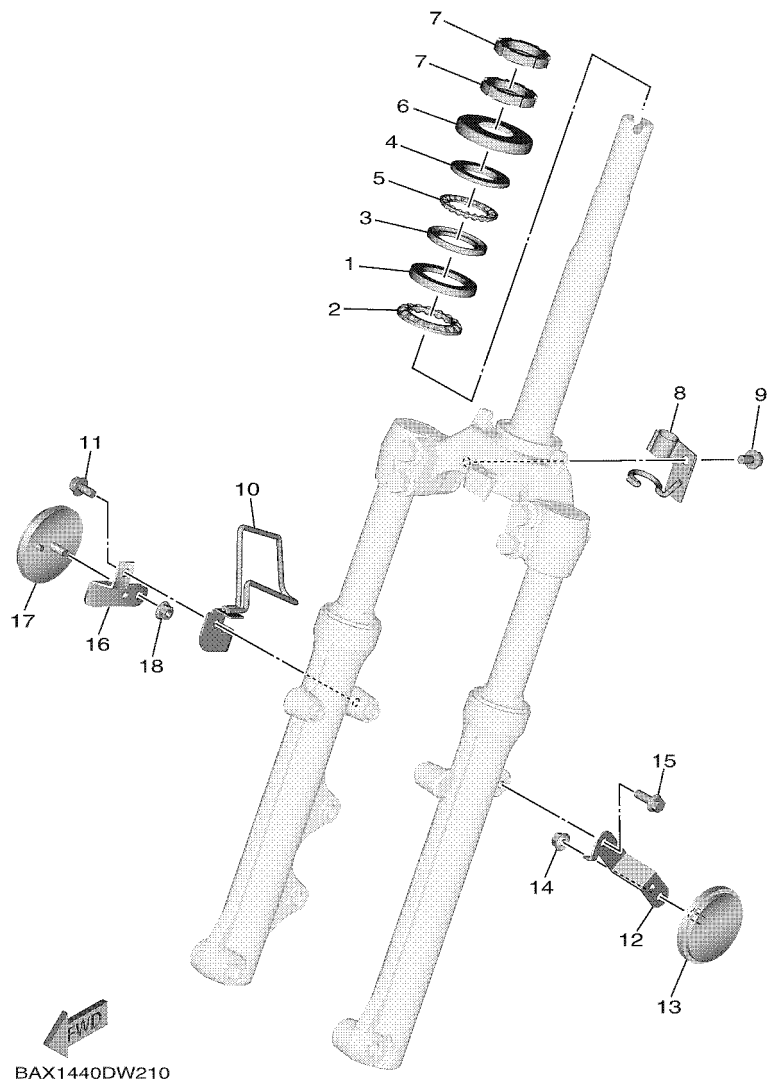


B5V1422DW220

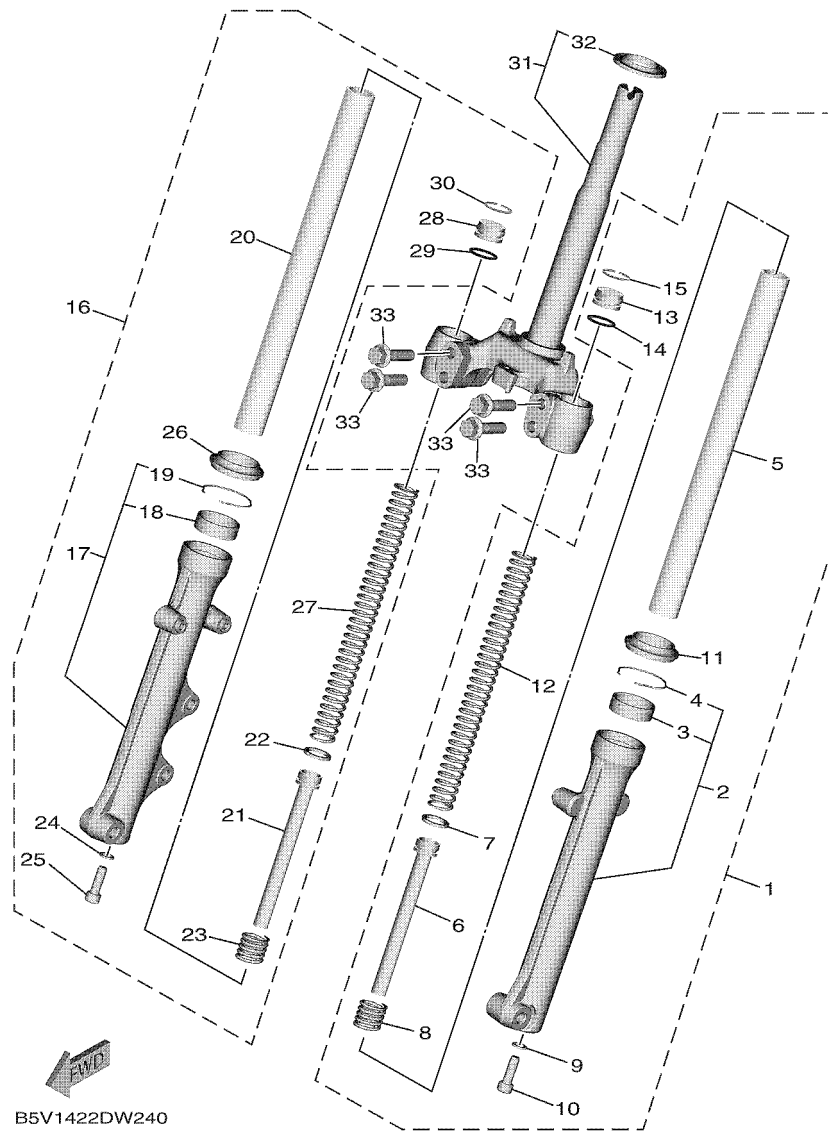
FIG. 20 REAR ARM & SUSPENSION

REF. NO.	PART NO.	DESCRIPTION	BAX1				REMARKS
1	BAX-F2100-00	REAR ARM ASSY	1				
2	5B9-F2123-00	.BUSH 1	2				
3	B17-F2151-10	SEAL, GUARD	1				
4	4NP-F5381-00	AXLE, WHEEL	1				
5	95614-12100	NUT, U	1				
6	B17-F1650-00	REAR FENDER COMP.	1				
7	90119-06155	BOLT, WITH WASHER	3				
8	90464-16012	CLAMP	1				
9	B17-F2210-30	SHOCK ABSORBER ASSY, REAR	1				
10	90105-108B8	BOLT, FLANGE	2				
11	95602-10200	NUT, S/L FLANGE	2				
12	B17-F1668-10	LABEL, TIRE	1				

FIG. 21 STEERING



REF. NO.	PART NO.	DESCRIPTION	BAX1				REMARKS
1	1KL-F3412-10	RACE, BALL 2	1				
2	5VL-F341E-10	RETAINER, BALL BEARING	1				
3	4RT-F3412-10	RACE, BALL 2	1				
4	4RT-F3411-10	RACE, BALL 1	1				
5	1P6-F341E-10	RETAINER, BALL BEARING	1				
6	5P1-F3416-00	COVER, BALL RACE 2	1				
7	90179-25002	NUT	2				
8	B5V-F587A-00	HOLDER, BRAKE HOSE 4	1				
9	95D02-06012	BOLT, FLANGE DEEP RECESS	1				
10	B17-F5876-00	HOLDER, BRAKE HOSE 2	1				
11	95D02-06012	BOLT, FLANGE DEEP RECESS	1				
12	B17-F113J-00	BRACKET, REFLECTOR 1	1				
13	2FC-H5111-00	REFLECTOR, 1	1				
14	90185-05803	NUT, SELF-LOCKING	1				
15	95D02-06012	BOLT, FLANGE DEEP RECESS	1				
16	B17-F113K-00	BRACKET, REFLECTOR 2	1				
17	2FC-H5111-00	REFLECTOR, 1	1				
18	90185-05803	NUT, SELF-LOCKING	1				



B5V1422DW240

FIG. 22 FRONT FORK

REF. NO.	PART NO.	DESCRIPTION	BAX1				REMARKS
1	BAX-F3102-00	FRONT FORK ASSY (L.H)	1				
2	B17-F3126-00	.TUBE, OUTER (L.H)	1				
3	4UV-F3145-00	.OIL SEAL	1				
4	5P0-F3156-00	.RING, SNAP	1				
5	BAX-F3110-00	.INNER TUBE COMP.1	1				
6	BAX-F3170-00	.CYLINDER COMP., FRONT FORK	1				
7	BAX-F3157-00	.RING, PISTON	1				
8	5TF-F3152-00	.SPRING, SUB	1				
9	509-F3158-L0	.GASKET	1				
10	31D-F3181-50	.BOLT, HEXAGON SOCKET HEAD	1				
11	5LL-F3144-00	.SEAL, DUST	1				
12	BAX-F3141-00	.SPRING, FRONT FORK	1				
13	BAX-F3111-00	.BOLT, CAP	1				
14	2JG-F3147-00	.O-RING	1				
15	31D-F3153-00	.RING, SNAP	1				
16	BAX-F3103-00	FRONT FORK ASSY (R.H)	1				
17	BAX-F3136-00	.TUBE, OUTER 2	1				
18	4UV-F3145-00	.OIL SEAL	1				
19	5P0-F3156-00	.RING, SNAP	1				
20	BAX-F3110-00	.INNER TUBE COMP.1	1				
21	BAX-F3170-00	.CYLINDER COMP., FRONT FORK	1				
22	BAX-F3157-00	.RING, PISTON	1				
23	5TF-F3152-00	.SPRING, SUB	1				
24	509-F3158-L0	.GASKET	1				
25	31D-F3181-50	.BOLT, HEXAGON SOCKET HEAD	1				
26	5LL-F3144-00	.SEAL, DUST	1				
27	BAX-F3141-00	.SPRING, FRONT FORK	1				

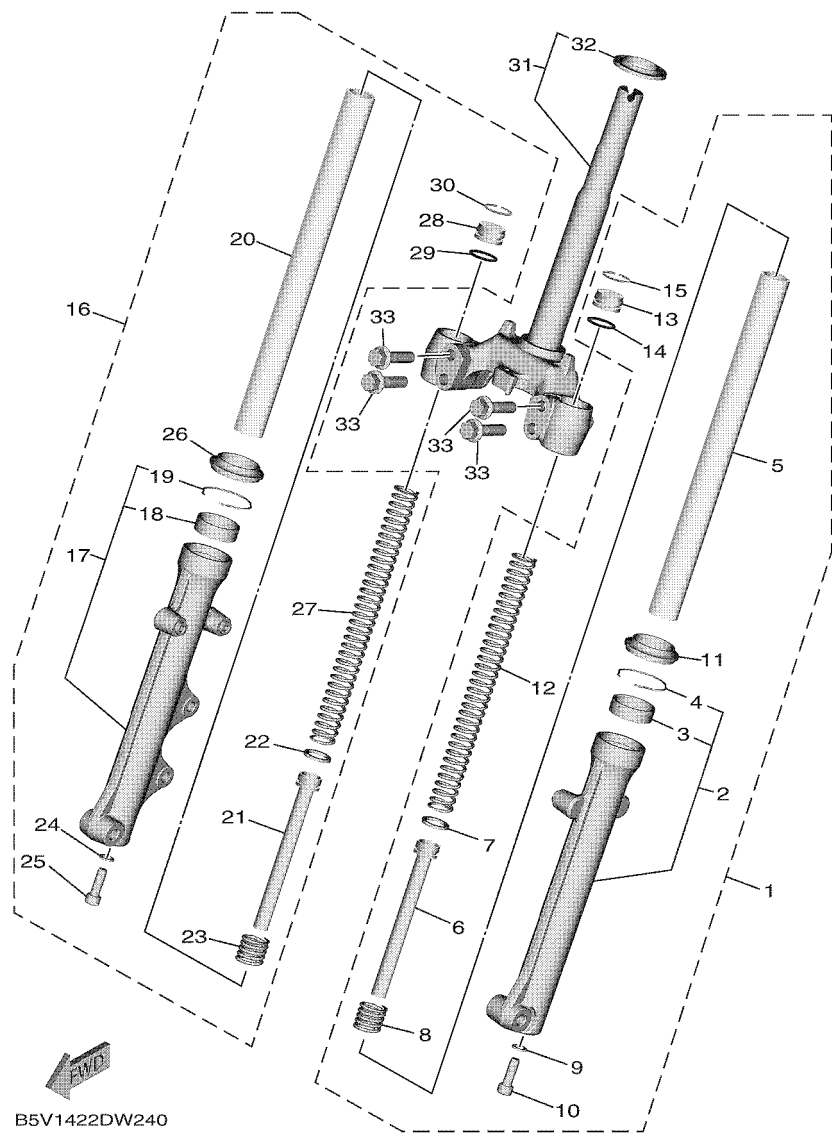
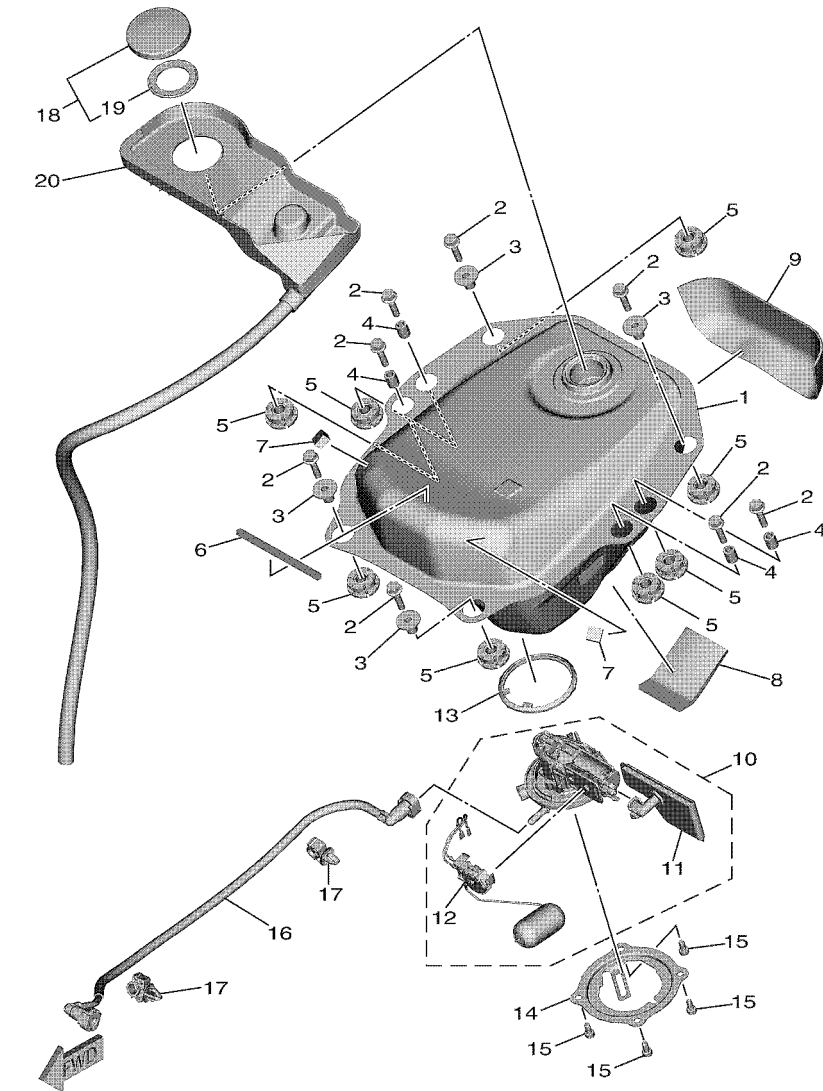


FIG. 22 FRONT FORK

REF. NO.	PART NO.	DESCRIPTION	BAX1				REMARKS
28	BAX-F3111-00	.BOLT, CAP	1				
29	2JG-F3147-00	.O-RING	1				
30	31D-F3153-00	.RING, SNAP	1				
31	BAX-F3340-00	UNDER BRACKET COMP.	1				
32	4FP-F3411-10	.RACE, BALL 1	1				
33	31D-F3346-00	BOLT 1	4				

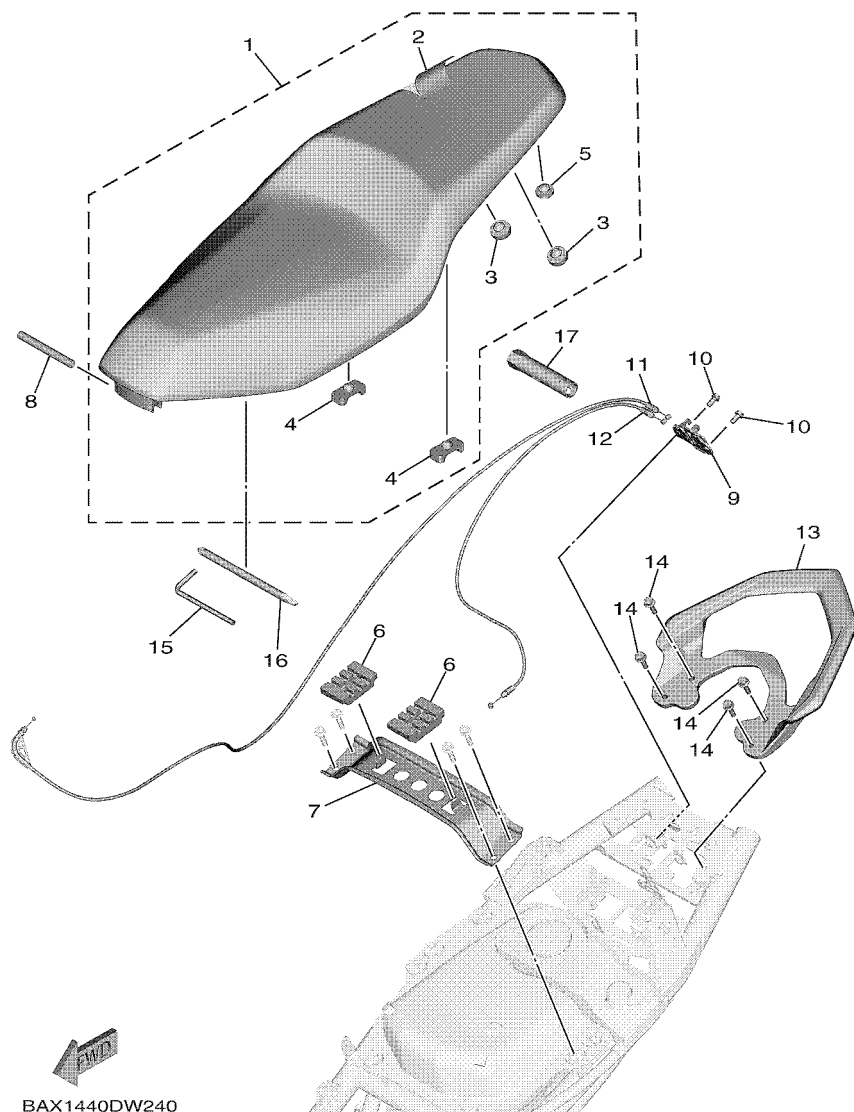


BAX1440DW230

FIG. 23 FUEL TANK

REF. NO.	PART NO.	DESCRIPTION	BAX1				REMARKS
1	BAX-F4110-00	FUEL TANK COMP.	1				
2	95D32-06025	BOLT, FLANGE DEEP RECESS	8				
3	1FC-F412G-00	COLLAR	4				
4	90560-07007	SPACER	4				
5	1FC-F4339-00	GROMMET	8				
6	90520-05028	DAMPER, PLATE	1				
7	90520-08007	DAMPER, PLATE	2				
8	1S8-F8372-00	DAMPER	1				
9	90520-02859	DAMPER, PLATE	1				
10	B5V-E3907-00	FUEL PUMP COMP.	1				
11	54P-E3915-00	.FILTER, FUEL SUCTION	1				
12	B5V-H5752-00	.SENDER UNIT ASSY, FUEL METER	1				
13	1DB-F414G-01	SEAL	1				
14	BAX-F4491-00	BRACKET, FUEL PUMP	1				
15	91332-05010	BOLT	4				
16	B5V-E3971-00	PIPE, FUEL 1	1				
17	90464-10008	CLAMP	2				
18	4YY-F4610-00	CAP ASSY	1				
19	4YY-F4612-00	.PACKING, CAP	1				
20	BAX-F41B1-00	COVER, TANK	1				

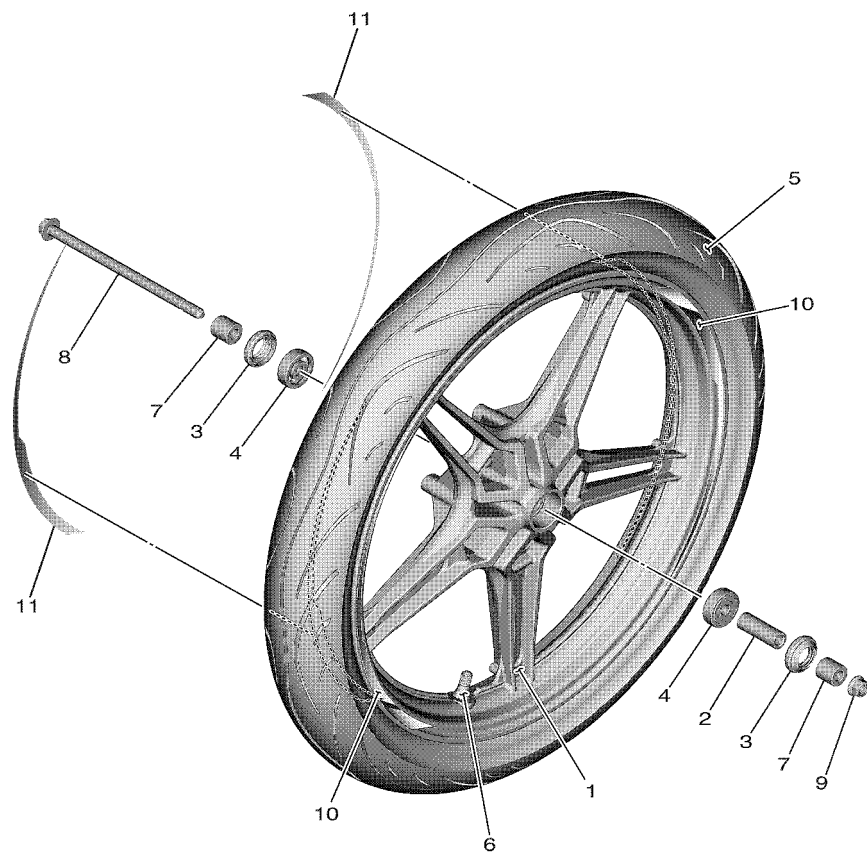
FIG. 24 SEAT



BAX1440DW240

REF. NO.	PART NO.	DESCRIPTION	BAX1			REMARKS
1	BAX-F4730-10	DOUBLE SEAT ASSY	1			UR FOR VPBC5,MS1
	BAX-F4730-20	DOUBLE SEAT ASSY	1			UR FOR RYC1
2	BAX-F470F-10	.SEAT COVER COMP.	1			UR FOR VPBC5,MS1
	BAX-F470F-20	.SEAT COVER COMP.	1			UR FOR RYC1
3	1VP-F4741-10	.PAD, SEAT	2			
4	BAX-F4741-00	.PAD, SEAT	2			
5	BAX-F4741-10	.PAD, SEAT	1			
6	BAX-F4747-00	DAMPER, SEAT	2			
7	BAX-F471A-00	STAY, SEAT	1			
8	2WB-F4727-00	PIN, SEAT FITTING	1			
9	B5V-F4780-00	SEAT LOCK ASSY	1			
10	95022-06012	BOLT, FLANGE	2			
11	BAX-F478E-00	CABLE, SEAT LOCK	1			
12	B5V-F479D-00	WIRE, SEAT LOCK 2	1			
13	BAX-F4773-00-P0	HANDLE, SEAT	1			UR FOR VPBC5
	BAX-F4773-00-P1	HANDLE, SEAT	1			UR FOR RYC1
	BAX-F4773-00-P2	HANDLE, SEAT	1			UR FOR MS1
14	95D32-06020	BOLT, FLANGE DEEP RECESS	4			
15	B17-F816B-00	WRENCH, HEXAGON	1			
16	B17-F8152-00	DRIVER	1			
17	B17-F814F-00	BOX, SPARK PLUG	1			

FIG. 25 FRONT WHEEL



← EMD
BAX1440DW250

REF. NO.	PART NO.	DESCRIPTION	BAX1				REMARKS
1	B17-F5168-10-33	CAST WHEEL, FRONT	1				YB
2	90560-10292	SPACER	1				
3	93106-20816	OIL SEAL	2				
4	93306-300YN	BEARING	2				
5	94109-17809	TIRE(90/80-17 M/C 46P DM1060F)	1				DURO
6	93900-00817	VALVE, RIM (TR412)	1				
7	90387-10277	COLLAR	2				
8	B6A-F5181-00	AXLE, WHEEL	1				
9	95602-10200	NUT, S/L FLANGE	1				
10	BAX-F51G1-00	GRAPHIC 1	2				UR FOR VPBC5
	BAX-F51G1-10	GRAPHIC 1	2				UR FOR RYC1
	BAX-F51G1-20	GRAPHIC 1	2				UR FOR MS1
11	BAX-F51G2-00	GRAPHIC 2	2				UR FOR VPBC5
	BAX-F51G2-10	GRAPHIC 2	2				UR FOR RYC1
	BAX-F51G2-20	GRAPHIC 2	2				UR FOR MS1

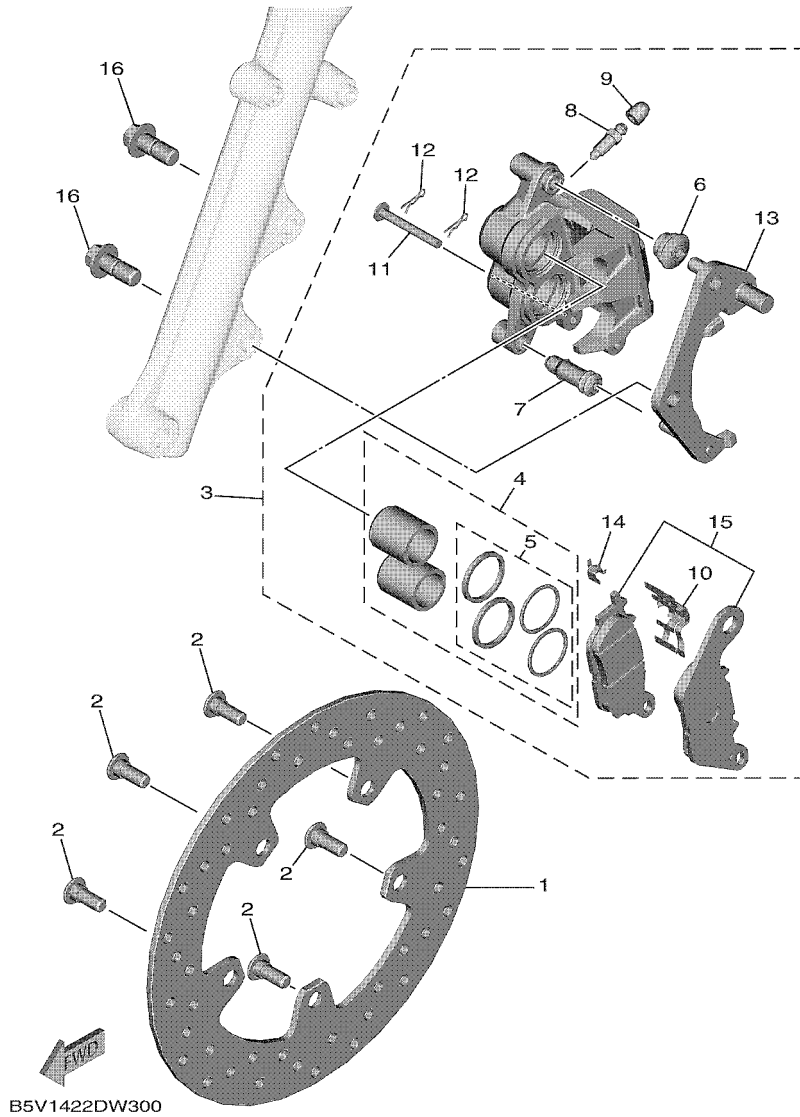
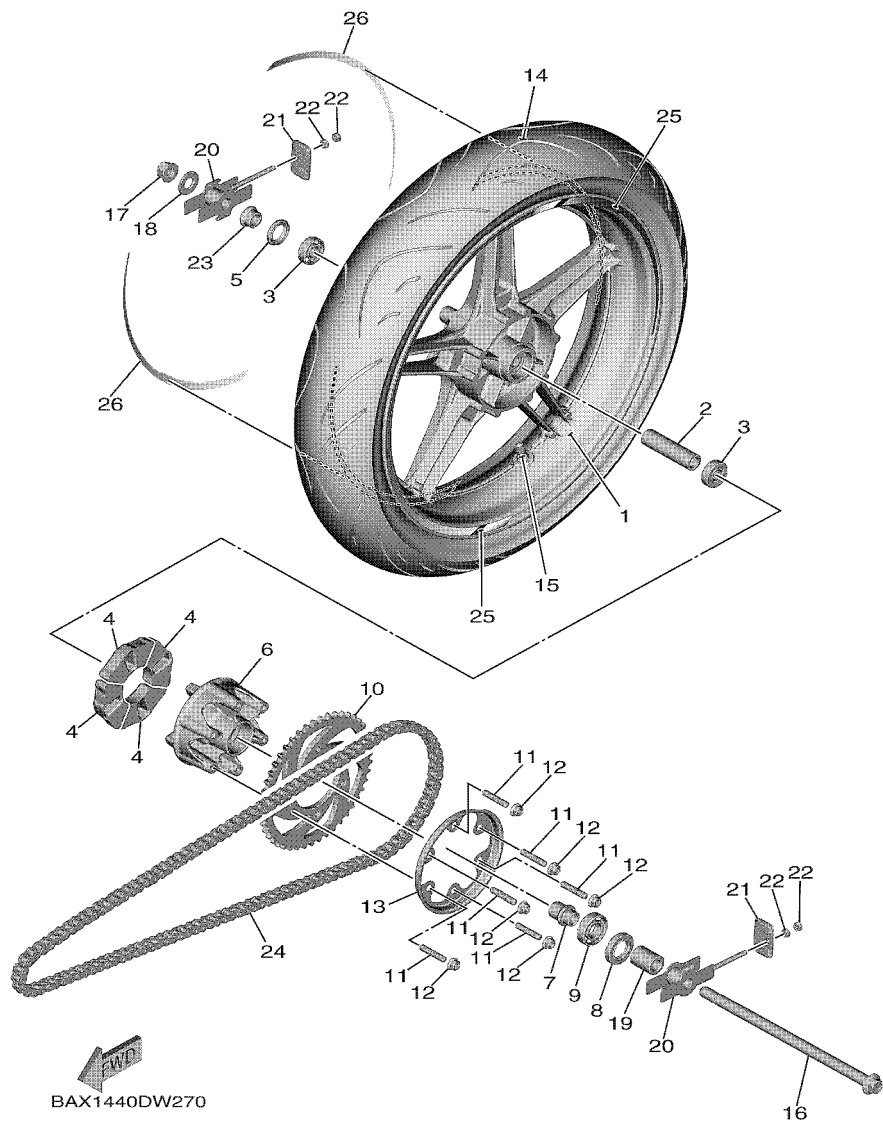


FIG. 26 FRONT BRAKE CALIPER

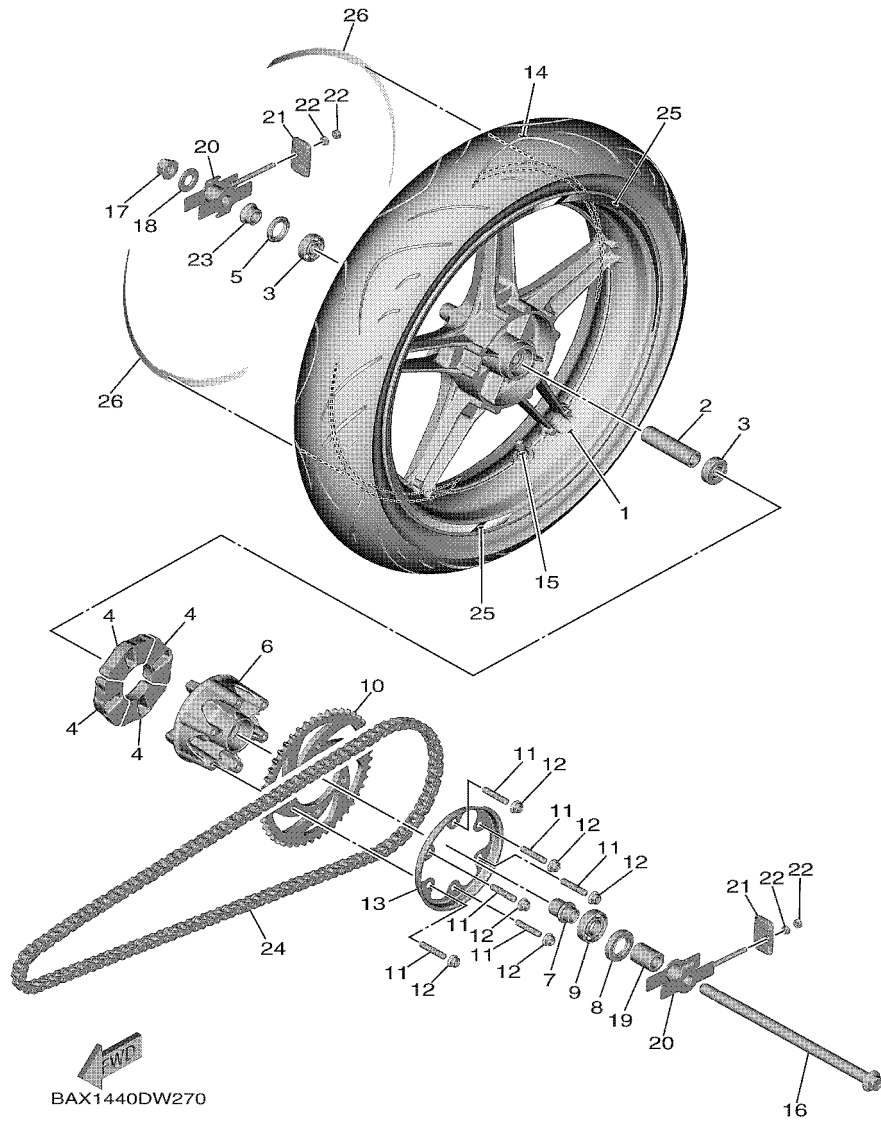
REF. NO.	PART NO.	DESCRIPTION	BAX1				REMARKS
1	B5V-F582U-01	DISK, BRAKE (RIGHT)	1				
2	90109-08087	BOLT	5				
3	B5V-F580U-00	CALIPER ASSY (RIGHT)	1				
4	3C1-F5802-00	.PISTON ASSY, CALIPER	1				
5	3C1-F5803-50	..CALIPER SEAL KIT	1				
6	5YP-F5917-00	.BOOT, CALIPER	1				
7	5YP-F5937-00	.BOOT 2	1				
8	47X-25824-01	.SCREW, BLEED	1				
9	2NL-F5825-00	.CAP	1				
10	5P0-F5919-01	.SUPPORT, PAD	1				
11	5YP-F5924-00	.PIN, PAD	1				
12	5YP-F5925-01	.CLIP	2				
13	1DB-F5921-01	.BRACKET, SUPPORT	1				
14	5YP-F5939-00	.CLIP, PAD	1				
15	B5V-F5805-00	.BRAKE PAD KIT	1				
16	90105-108A6	BOLT, FLANGE	2				

FIG. 27 REAR WHEEL



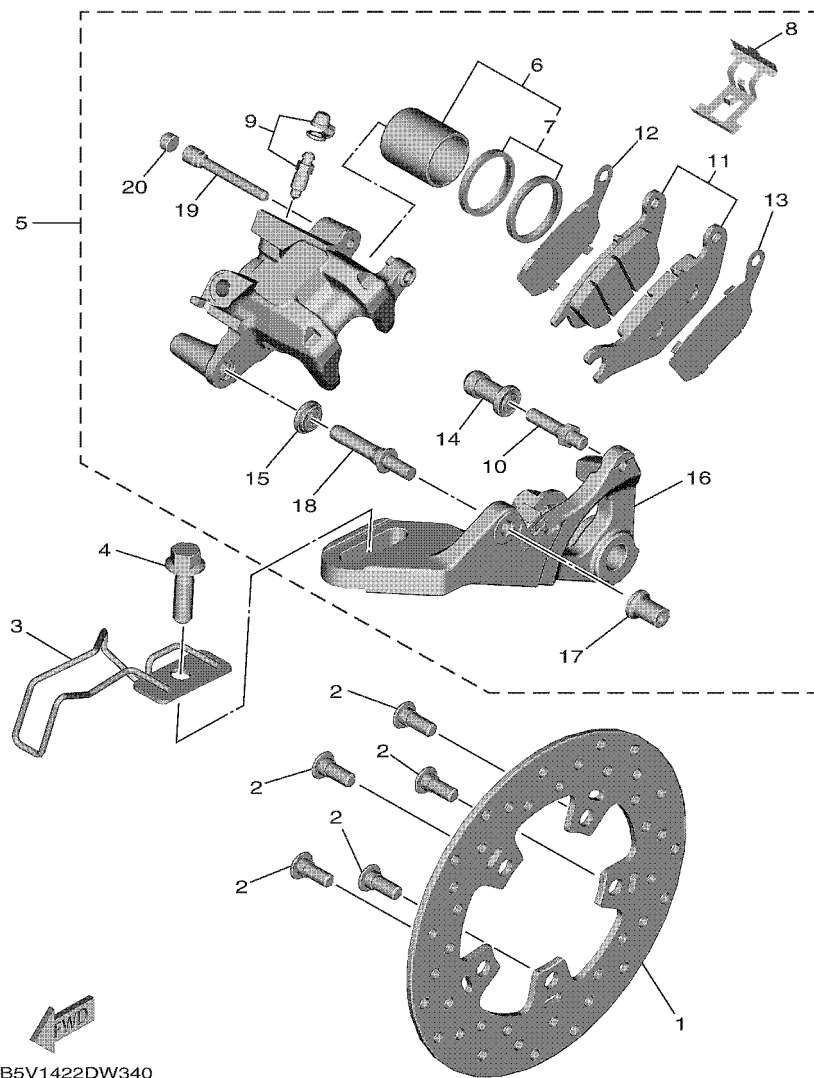
REF. NO.	PART NO.	DESCRIPTION	BAX1	REMARKS
1	B17-F5338-10-33	CAST WHEEL, REAR	1	YB
2	B17-F5317-00	SPACER, BEARING	1	
3	93306-252X7	BEARING	2	
4	B17-F5364-00	DAMPER	4	
5	93106-22808	OIL SEAL	1	
6	B17-F5366-00	CLUTCH, HUB	1	
7	B17-F5377-00	COLLAR, WHEEL	1	
8	93106-26815	OIL SEAL	1	
9	93306-004XV	BEARING	1	
10	BAX-F5446-00	SPROCKET, DRIVEN (46T)	1	
11	90116-08826	BOLT, STUD	6	
12	95602-08200	NUT, U FLANGE	6	
13	BAX-F5689-00	PLATE, GUIDE	1	
14	94112-17809	TIRE (120/70-70 M/C 58P)	1	DURO
15	93900-00817	VALVE, RIM (TR412)	1	
16	B5V-F5381-00	AXLE, WHEEL	1	
17	95602-14200	NUT, SELF-LOCKING	1	
18	90201-15030	WASHER, PLATE	1	
19	90387-15830	COLLAR	1	
20	BAX-F5388-00	PULLER, CHAIN 1	2	
21	BAX-F2174-00	END 1	2	
22	95302-06600	NUT, HEXAGON	4	
23	B17-F5383-00	COLLAR, WHEEL	1	
24	94568-K8124	CHAIN (RK 428-124L)	1	
25	BAX-F51G1-00	GRAPHIC 1	2	UR FOR VPBC5
	BAX-F51G1-10	GRAPHIC 1	2	UR FOR RYC1
	BAX-F51G1-20	GRAPHIC 1	2	UR FOR MS1

FIG. 27 REAR WHEEL



REF. NO.	PART NO.	DESCRIPTION	BAX1			REMARKS
26	BAX-F51G2-00	GRAPHIC 2	2			UR FOR VPBC5
	BAX-F51G2-10	GRAPHIC 2	2			UR FOR RYC1
	BAX-F51G2-20	GRAPHIC 2	2			UR FOR MS1

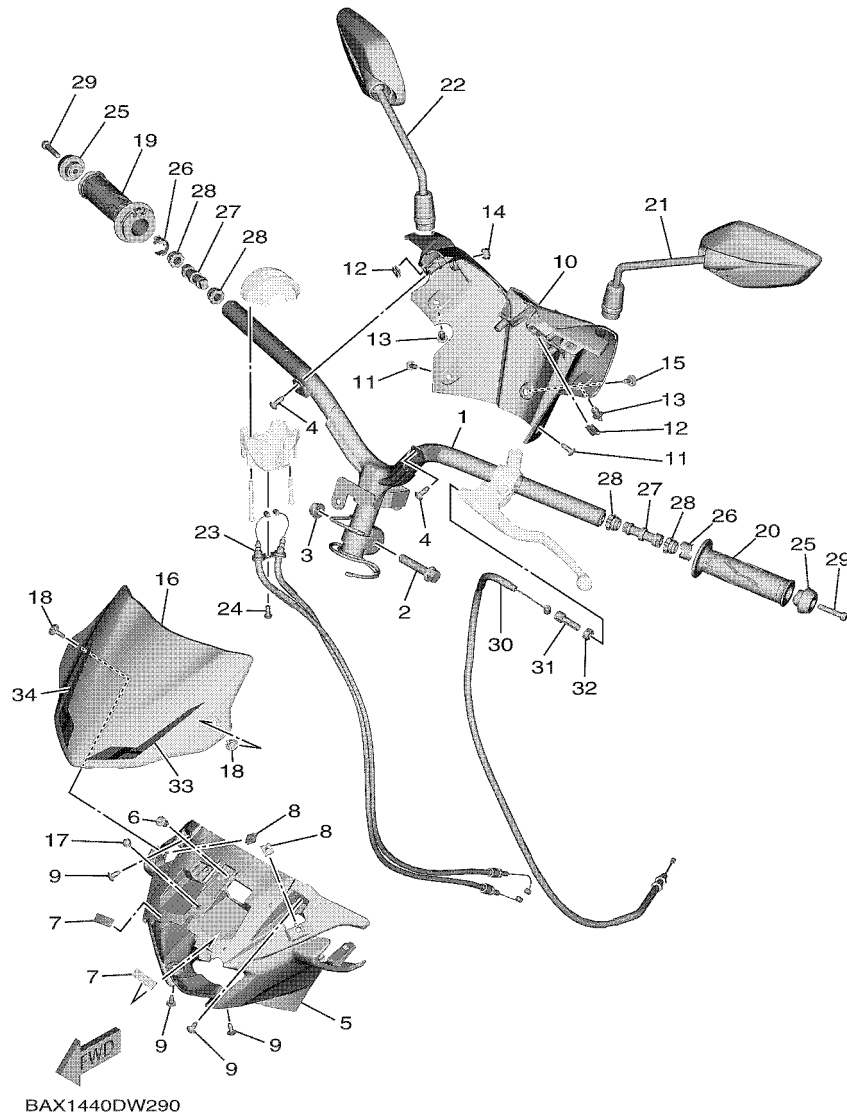
FIG. 28 REAR BRAKE CALIPER



B5V1422DW340

REF. NO.	PART NO.	DESCRIPTION	BAX1				REMARKS
1	B17-F582W-00	DISK, REAR BRAKE 2	1				
2	90109-08087	BOLT	5				
3	BAX-F2167-00	GUIDE	1				
4	95D32-10035	BOLT, FLANGE DEEP RECESS	1				
5	1PA-F580W-01	CALIPER ASSY, REAR 2	1				
6	50C-F5802-00	.PISTON ASSY, CALIPER	1				
7	3GD-25803-00	..CALIPER SEAL KIT	1				
8	50C-F5919-00	.SUPPORT, PAD	1				
9	50C-W0048-00	.BLEED SCREW KIT	1				
10	50C-F5914-00	.PIN, SLIDE	1				
11	1PA-F5806-00	.BRAKE PAD KIT 2	1				
12	50C-F5827-00	.SHIM, CALIPER	1				
13	50C-F5828-00	.SHIM, CALIPER	1				
14	50C-F5937-00	.BOOT 2	1				
15	50C-F5917-00	.BOOT, CALIPER	1				
16	1PA-F5921-01	.BRACKET, SUPPORT	1				
17	50C-F5961-00	.NUT	1				
18	50C-2536G-00	.PIN	1				
19	50C-F5933-00	.PIN HANGER	1				
20	50C-F5916-00	.PLUG	1				

FIG. 29 STEERING HANDLE & CABLE



REF. NO.	PART NO.	DESCRIPTION	BAX1			REMARKS
1	BAX-F6110-00	HANDLE COMP.	1			
2	90105-10896	BOLT, FLANGE	1			
3	90185-10011	NUT, SELF-LOCKING	1			
4	90160-05012	SCREW, ROUND TAPPING	2			
5	BAX-F6143-00	COVER, HANDLE UPPER 1	1			
6	90269-06816	RIVET	1			
7	90520-02014	DAMPER, PLATE	2			
8	90183-05061	NUT, SPRING	2			
9	97707-50012	SCREW, TRUSS HEAD TAPPING	4			
10	BAX-F6145-00	COVER, HANDLE UPPER 2	1			
11	90160-05009	SCREW, ROUND TAPPING	2			
12	90183-05807	NUT, SPRING	2			
13	90269-06816	RIVET	2			
14	1S8-F6199-00	PLUG, BLIND	1			
15	90111-05049	BOLT, HEX. SOCKET BUTTON	1			
16	BAX-F61AA-00-P0	VISOR	1			UR FOR VPBC5
	BAX-F61AA-00-P1	VISOR	1			UR FOR RYC1
	BAX-F61AA-00-P2	VISOR	1			UR FOR MS1
17	BAX-F1717-00	DAMPER	1			
18	90111-05817	BOLT, HEX. SOCKET BUTTON	2			
19	B17-F6240-02	GRIP ASSY	1			
20	1VP-F6241-00	GRIP	1			
21	B17-F6280-10	REAR VIEW MIRROR ASSY (LEFT)	1			
22	B17-F6290-10	REAR VIEW MIRROR ASSY (RIGHT)	1			
23	BAX-F6301-00	THROTTLE CABLE ASSY	1			
24	92012-05012	BOLT, BUTTON HEAD	1			
25	BAX-F6246-00	END, GRIP	2			

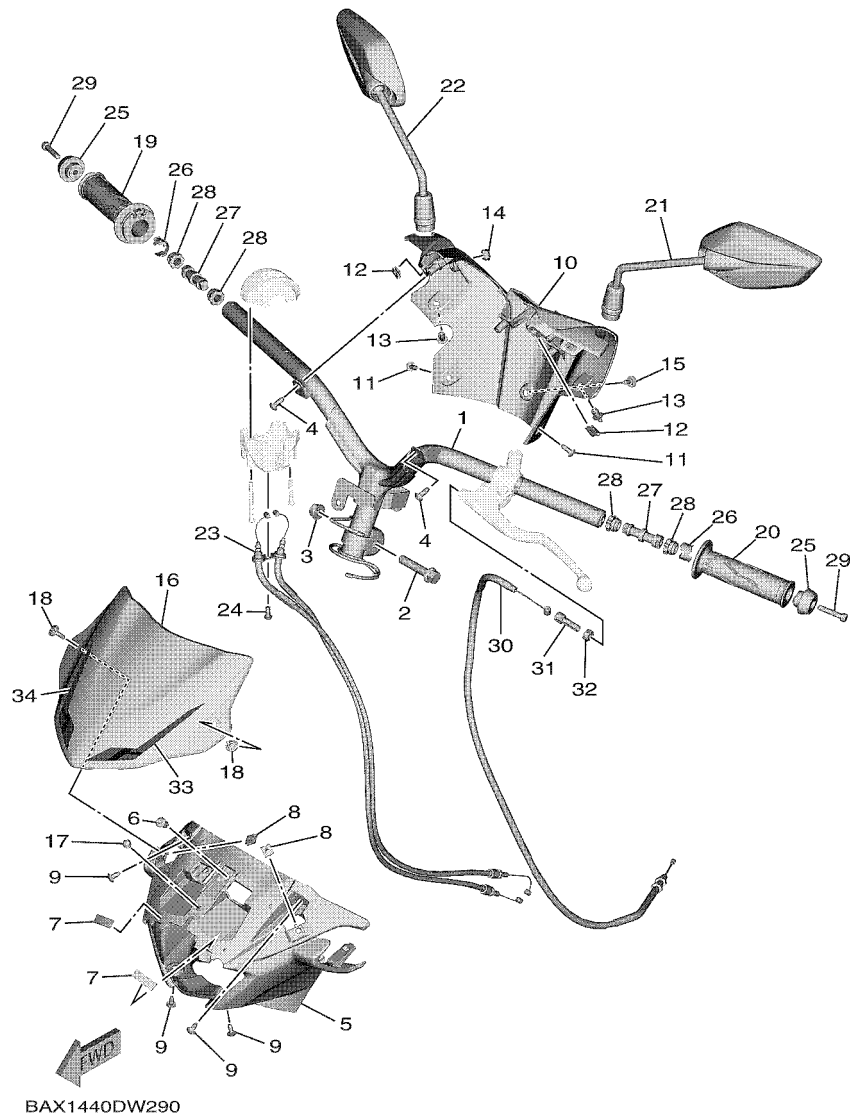
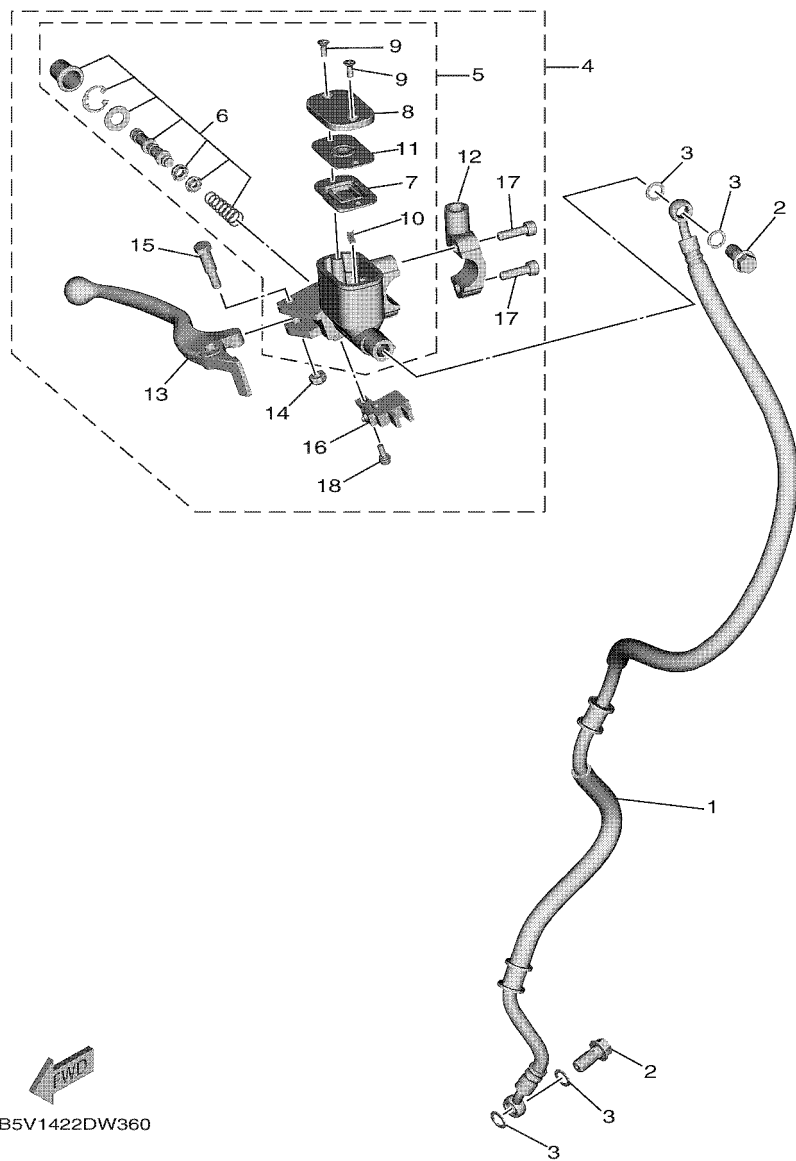


FIG. 29 STEERING HANDLE & CABLE

REF. NO.	PART NO.	DESCRIPTION	BAX1				REMARKS
26	16S-F6257-00	STOPPER	2				
27	BAX-F622H-00	WEIGHT	2				
28	1S8-F622F-00	DAMPER, LOCATING 1	4				
29	91317-06030	BOLT,HEX.SOCKET HEAD	2				
30	BAX-F6335-00	WIRE, CLUTCH	1				
31	90123-08046	BOLT	1				
32	90170-08401	NUT	1				
33	BAX-F60C1-00	EMBLEM 1	1				UR FOR VPBC5
	BAX-F60C1-10	EMBLEM 1	1				UR FOR RYC1
	BAX-F60C1-20	EMBLEM 1	1				UR FOR MS1
34	BAX-F60C2-00	EMBLEM 2	1				UR FOR VPBC5
	BAX-F60C2-10	EMBLEM 2	1				UR FOR RYC1
	BAX-F60C2-20	EMBLEM 2	1				UR FOR MS1

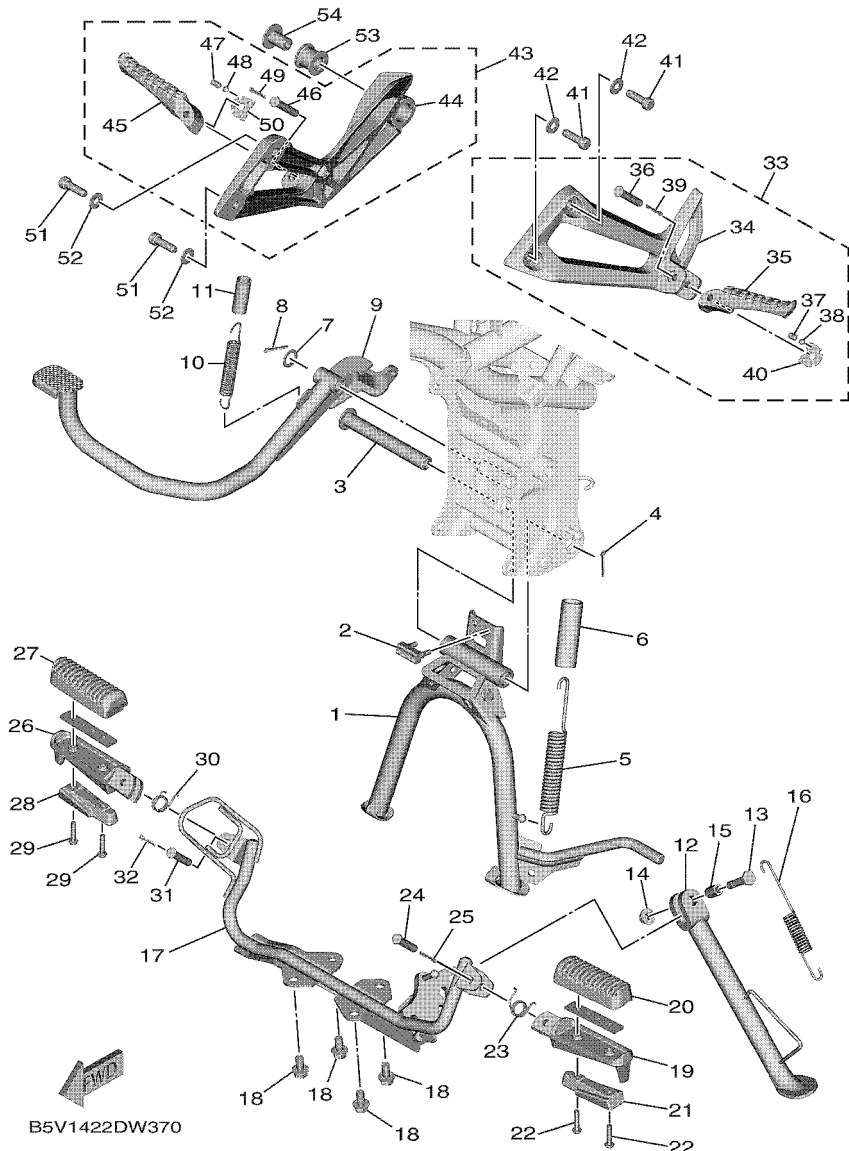
FIG. 30 FRONT MASTER CYLINDER



B5V1422DW360

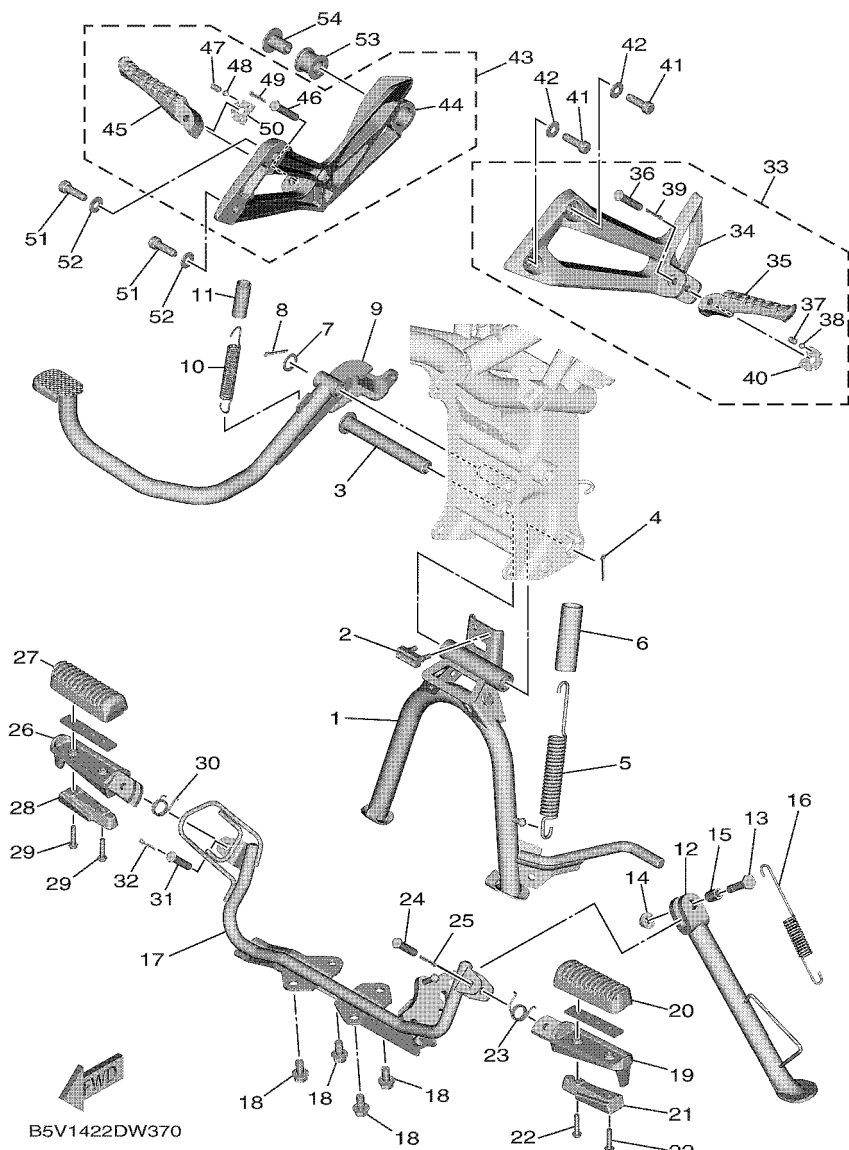
REF. NO.	PART NO.	DESCRIPTION	BAX1				REMARKS
1	B5V-F5872-00	HOSE, BRAKE 1	1				
2	90401-10812	BOLT, UNION	2				
3	90201-10118	WASHER, PLATE	4				
4	B5V-F583T-00	MASTER CYLINDER ASSY	1				
5	2ND-F5870-00	.MASTER CYLINDER SUB ASSY	1				
6	5P0-F580A-00	..CYLINDER KIT, MASTER	1				
7	2ND-F5854-00	..DIAPHRAGM, RESERVOIR	1				
8	2ND-F5852-00	..CAP, RESERVOIR	1				
9	36Y-2589H-00	..SCREW	2				
10	3RW-F5889-00	..SEPARATOR	1				
11	2ND-F5855-00	..BUSH,DIAPHRAGM	1				
12	5TL-F5867-11	..BRACKET,MASTER CYLINDER(BLACK)	1				
13	2ND-H3922-00	..LEVER 2	1				
14	95602-06100	..NUT, SELF-LOCKING	1				
15	90109-06577	..BOLT	1				
16	B6H-H3980-00	..FRONT STOP SWITCH ASSY	1				
17	91317-06025	..BOLT,HEX.SOCKET HEAD	2				
18	97602-04312	..SCREW, PAN HEAD WITH WASHER	1				

FIG. 31 STAND & FOOTREST

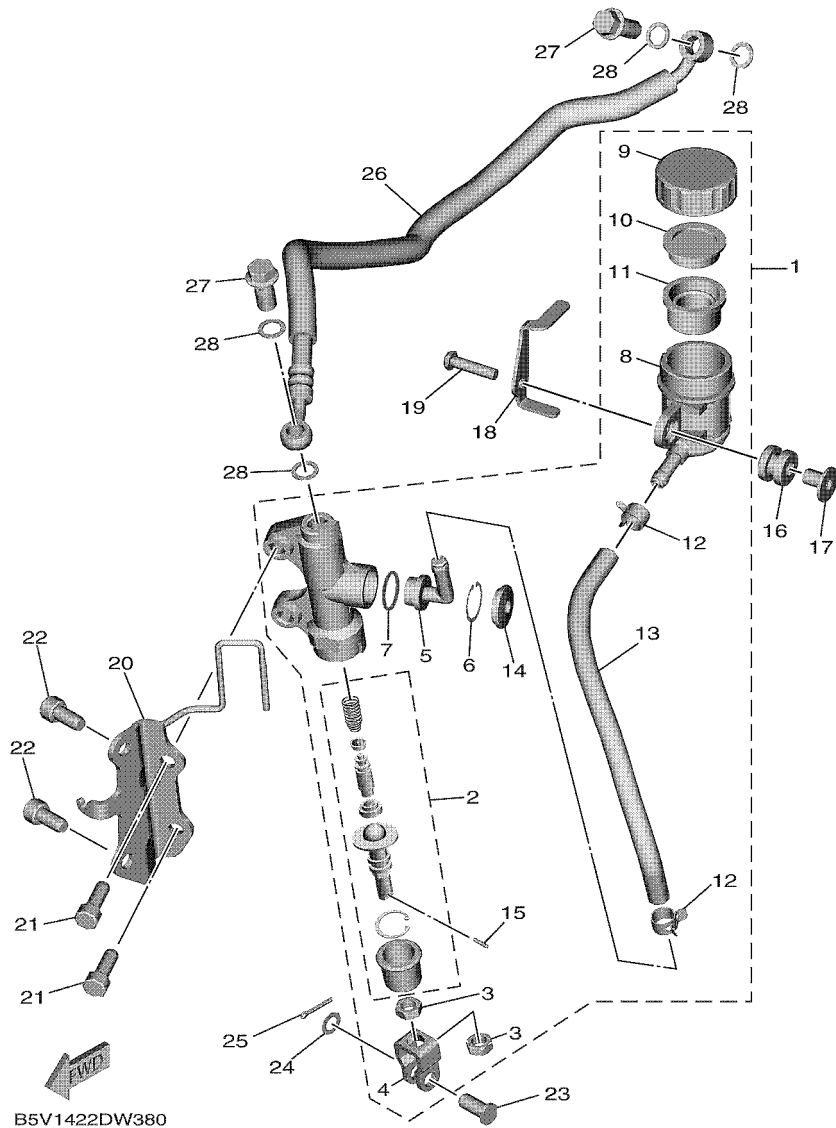


REF. NO.	PART NO.	DESCRIPTION	BAX1				REMARKS
1	B17-F7111-10	STAND, MAIN	1				
2	31D-F7114-00	STOPPER, MAIN STAND	1				
3	5YP-F7112-00	SHAFT, MAIN STAND	1				
4	91401-30030	PIN, COTTER	1				
5	90506-35806	SPRING, TENSION	1				
6	90445-22800	HOSE	1				
7	90201-14811	WASHER, PLATE	1				
8	91401-30030	PIN, COTTER	1				
9	BAX-F7211-00	PEDAL, BRAKE	1				
10	90506-20041	SPRING, TENSION	1				
11	90446-15386	HOSE	1				
12	BAX-F7311-00	STAND, SIDE	1				
13	90101-08829	BOLT	1				
14	95602-08200	NUT, U FLANGE	1				
15	90387-08820	COLLAR	1				
16	90506-26814	SPRING, TENSION	1				
17	BAX-F7411-00	FOOTREST 1	1				
18	95D32-08016	BOLT, FLANGE DEEP RECESS	4				
19	BAX-F7451-00	FOOTREST 3	1				
20	B17-F7413-00	COVER, FOOTREST	1				
21	B5V-F741E-00	ARM 2	1				
22	97602-05225	SCREW, PAN HEAD WITH WASHER	2				
23	90508-183B9	SPRING, TORSION	1				
24	91701-08035	PIN	1				
25	91401-25015	PIN, COTTER	1				
26	BAX-F7461-00	FOOTREST 4	1				
27	B17-F7413-00	COVER, FOOTREST	1				

FIG. 31 STAND & FOOTREST



REF. NO.	PART NO.	DESCRIPTION	BAX1	REMARKS
28	B5V-F741E-00	ARM 2	1	
29	97602-05225	SCREW, PAN HEAD WITH WASHER	2	
30	90508-183B9	SPRING, TORSION	1	
31	91701-08035	PIN	1	
32	91401-25015	PIN, COTTER	1	
33	B17-F7430-00-P0	REAR FOOTREST ASSY 1	1	MBL2
34	B17-F7452-00-P0	.BRACKET, FOOTREST 1	1	MBL2
35	3C1-F7431-01	.FOOTREST, REAR 1	1	
36	91702-08042	.PIN, CLEVIS	1	
37	90501-12743	.SPRING, COMPRESSION	1	
38	93501-04823	.BALL	1	
39	91401-25015	.PIN, COTTER	1	
40	B17-F7437-00	.WASHER, SPECIAL	1	
41	91312-08025	BOLT, HEXAGON SOCKET HEAD	2	
42	90201-08043	WASHER, PLATE	2	
43	B17-F7440-00-P0	REAR FOOTREST ASSY 2	1	MBL2
44	B17-F7462-00-P0	.BRACKET, FOOTREST 2	1	MBL2
45	3C1-F7441-01	.FOOTREST, REAR 2	1	
46	91702-08042	.PIN, CLEVIS	1	
47	90501-12743	.SPRING, COMPRESSION	1	
48	93501-04823	.BALL	1	
49	91401-25015	.PIN, COTTER	1	
50	B17-F7437-00	.WASHER, SPECIAL	1	
51	91312-08025	BOLT, HEXAGON SOCKET HEAD	2	
52	90201-08043	WASHER, PLATE	2	
53	B17-E4747-00	DAMPER, MUFFLER	1	
54	90387-08812	COLLAR	1	

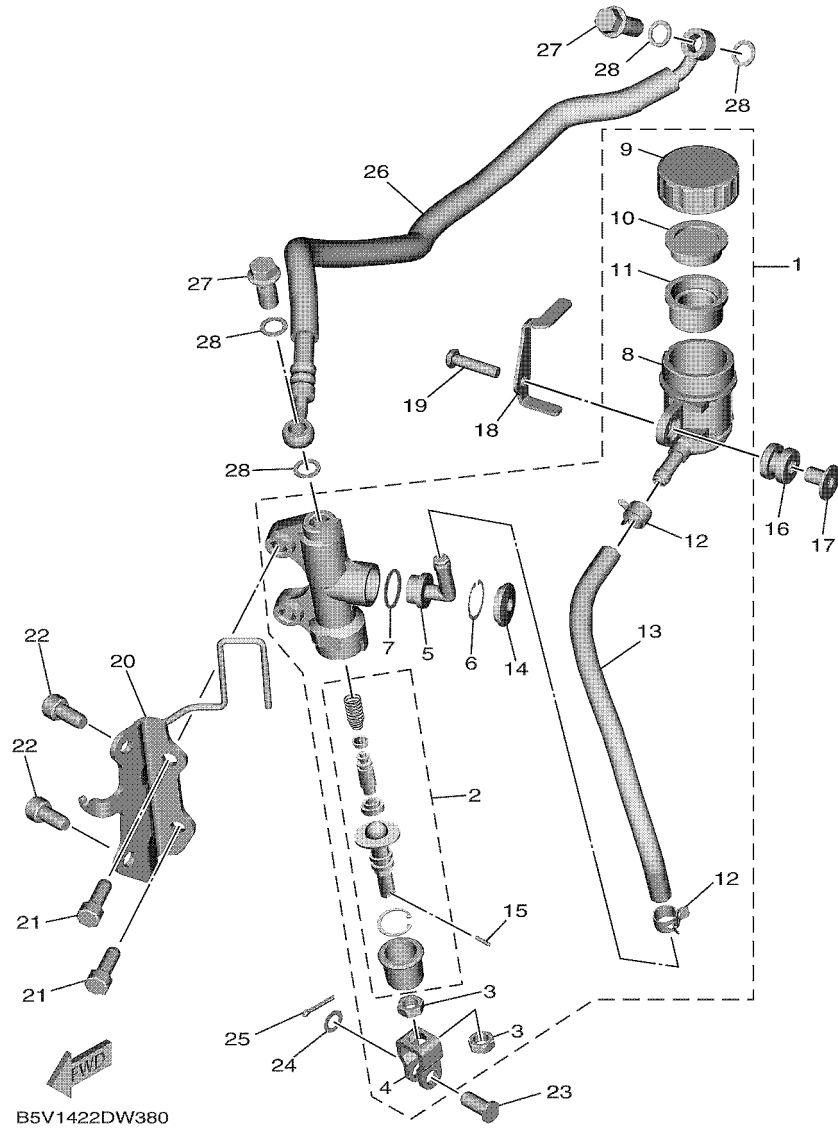


B5V1422DW380

FIG. 32 REAR MASTER CYLINDER

REF. NO.	PART NO.	DESCRIPTION	BAX1				REMARKS
1	2ND-F580E-00	REAR MASTER CYLINDER ASSY	1				
2	2ND-F5808-00	.CYLINDER KIT, MASTER	1				
3	95301-08700	.NUT	2				
4	50C-F7222-00	.JOINT	1				
5	50C-F582A-50	.JOINT	1				
6	50C-F5866-00	.CIRCLIP	1				
7	93210-15620	.O-RING	1				
8	50C-F5894-11	.TANK, RESERVOIR	1				
9	50C-F5852-00	.CAP, RESERVOIR	1				
10	50C-F5855-00	.BUSH,DIAPHRAGM	1				
11	2VN-F5854-00	.DIAPHRAGM, RESERVOIR	1				
12	90467-12085	.CLIP	2				
13	4S3-F5895-00	.HOSE, RESERVOIR	1				
14	50C-F589A-00	.COVER, DUST	1				
15	5BU-27234-00	.PIN, BRAKE ROD	1				
16	55C-F4742-00	GROMMET	1				
17	55C-F6259-00	COLLAR	1				
18	BAX-F5888-00	COVER, RESERVOIR TANK	1				
19	98507-06025	SCREW, PAN HEAD	1				
20	BAX-F133F-00	BRACKET, MASTER CYLINDER	1				
21	91317-08020	BOLT,HEX.SOCKET HEAD	2				
22	91317-08016	BOLT,HEX.SOCKET HEAD	2				
23	90240-08005	PIN, CLEVIS	1				
24	90201-08066	WASHER, PLATE	1				
25	91401-20012	PIN, COTTER	1				
26	B5V-F5873-00	HOSE, BRAKE 2	1				
27	90401-10812	BOLT, UNION	2				

FIG. 32 REAR MASTER CYLINDER



REF. NO.	PART NO.	DESCRIPTION	BAX1				REMARKS
28	90201-10118	WASHER, PLATE	4				

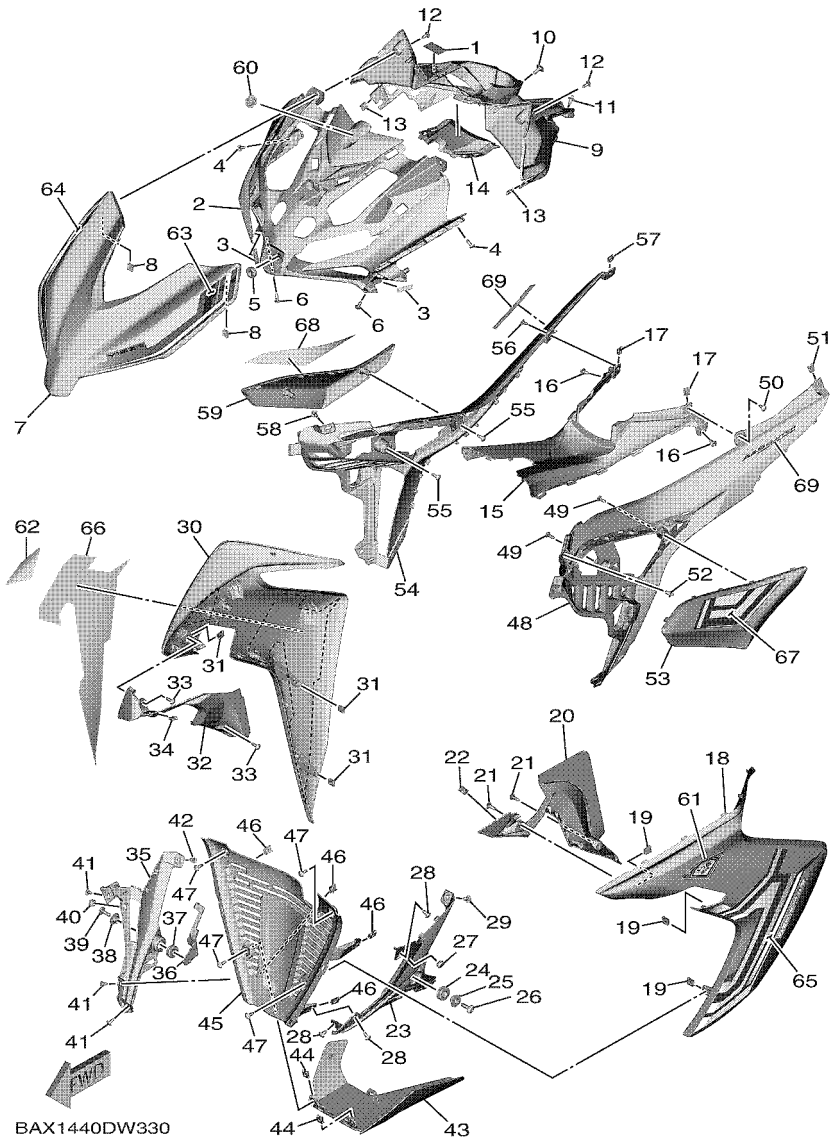


FIG. 33 LEG SHIELD

REF. NO.	PART NO.	DESCRIPTION	BAX1	REMARKS
1	B17-F1568-00	LABEL, WARNING	1	
2	BAX-F836K-00	PANEL, INNER 1	1	
3	B5V-F8344-00	TAPE	2	
4	97707-50016	SCREW, TRUSS HEAD TAPPING	2	
5	90480-13398	GROMMET	1	
6	90160-05009	SCREW, ROUND TAPPING	2	
7	BAX-F3391-00-P0	PANEL, FRONT	1	UR FOR VPBC5
	BAX-F3391-00-P1	PANEL, FRONT	1	UR FOR RYC1
	BAX-F3391-00-P2	PANEL, FRONT	1	UR FOR MS1
8	90183-05807	NUT, SPRING	2	
9	BAX-F836L-00	PANEL, INNER 2	1	
10	90111-06848	BOLT,HEX. SOCKET BUTTON	1	
11	90269-06816	RIVET	1	
12	90160-05009	SCREW, ROUND TAPPING	2	
13	90183-05807	NUT, SPRING	2	
14	BAX-F843J-00	COVER 3	1	
15	BAX-F8365-00	COVER	1	
16	90269-06816	RIVET	2	
17	90183-05807	NUT, SPRING	2	
18	BAX-F835U-00-P0	PANEL 1	1	UR SMX FOR VPBC5
	BAX-F835U-00-P1	PANEL 1	1	UR MNM3 FOR RYC1
	BAX-F835U-00-P2	PANEL 1	1	UR DBNM8 FOR MS1
19	90183-05807	NUT, SPRING	3	
20	BAX-F137U-01	GUIDE, AIR 1	1	
21	97707-50016	SCREW, TRUSS HEAD TAPPING	2	
22	90183-05807	NUT, SPRING	1	
23	BAX-F8385-00	COVER, UNDER	1	

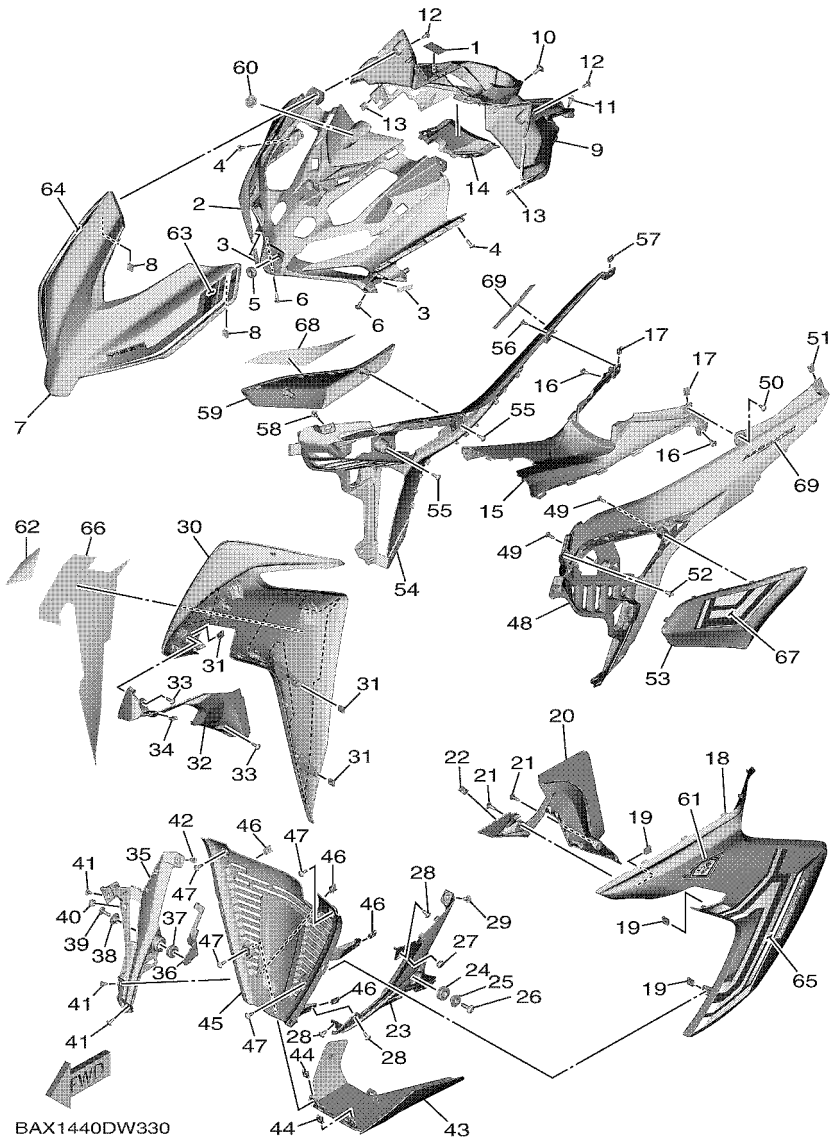


FIG. 33 LEG SHIELD

REF. NO.	PART NO.	DESCRIPTION	BAX1				REMARKS
24	90480-18418	GROMMET	1				
25	90387-09801	COLLAR	1				
26	90111-06815	BOLT,HEX. SOCKET BUTTON	1				
27	1S8-F6199-00	PLUG, BLIND	1				
28	97707-50012	SCREW, TRUSS HEAD TAPPING	3				
29	90269-06816	RIVET	1				
30	BAX-F835V-00-P0	PANEL 2	1				UR SMX FOR VPBC5
	BAX-F835V-00-P1	PANEL 2	1				UR MNM3 FOR RYC1
	BAX-F835V-00-P2	PANEL 2	1				UR DBNM8 FOR MS1
31	90183-05807	NUT, SPRING	3				
32	BAX-F137V-01	GUIDE, AIR 2	1				
33	97707-50016	SCREW, TRUSS HEAD TAPPING	2				
34	90183-05807	NUT, SPRING	1				
35	BAX-F8395-00	COVER, UNDER 2	1				
36	BAX-F8322-00	STAY 2	1				
37	90480-18418	GROMMET	1				
38	90387-09801	COLLAR	1				
39	90111-06815	BOLT,HEX. SOCKET BUTTON	1				
40	1S8-F6199-00	PLUG, BLIND	1				
41	97707-50012	SCREW, TRUSS HEAD TAPPING	3				
42	90269-06816	RIVET	1				
43	BAX-F837D-00-P0	COVER, UNDER 3	1				UR SMX FOR VPBC5
	BAX-F837D-00-P1	COVER, UNDER 3	1				UR MNM3 FOR RYC1
	BAX-F837D-00-P2	COVER, UNDER 3	1				UR DBNM8 FOR MS1
44	90183-05807	NUT, SPRING	2				
45	BAX-F1552-01	FENDER, INNER	1				
46	90183-05807	NUT, SPRING	4				

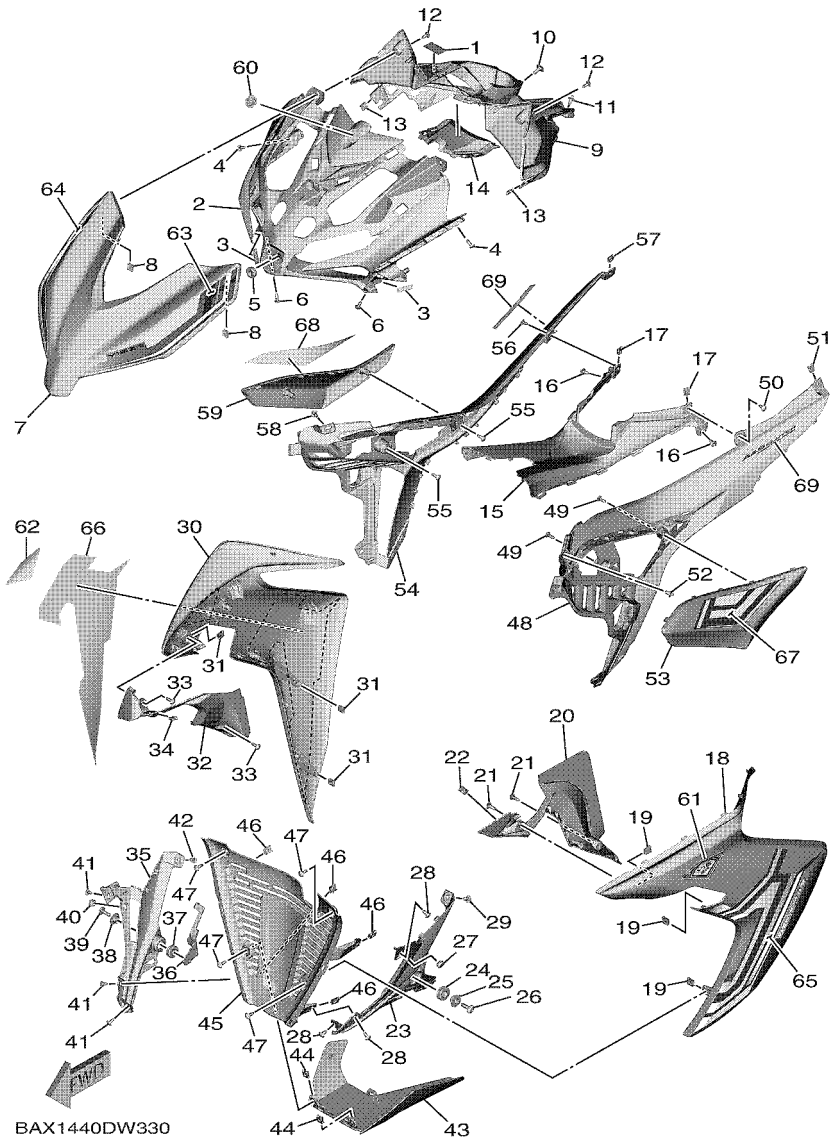


FIG. 33 LEG SHIELD

REF. NO.	PART NO.	DESCRIPTION	BAX1	REMARKS
47	90160-05009	SCREW, ROUND TAPPING	4	
48	BAX-F842M-00-P0	COVER 1	1	UR FOR VPBC5
	BAX-F842M-00-P1	COVER 1	1	UR FOR RYC1
	BAX-F842M-00-P2	COVER 1	1	UR FOR MS1
49	97707-50016	SCREW, TRUSS HEAD TAPPING	2	
50	90160-05009	SCREW, ROUND TAPPING	1	
51	90183-05807	NUT, SPRING	1	
52	90269-06816	RIVET	1	
53	BAX-F172G-00-P0	PANEL 3	1	UR SMX FOR VPBC5
	BAX-F172G-00-P1	PANEL 3	1	UR MNM3 FOR RYC1
	BAX-F172G-00-P2	PANEL 3	1	UR DBNM8 FOR MS1
54	BAX-F842N-00-P0	COVER 2	1	UR FOR VPBC5
	BAX-F842N-00-P1	COVER 2	1	UR FOR RYC1
	BAX-F842N-00-P2	COVER 2	1	UR FOR MS1
55	97707-50016	SCREW, TRUSS HEAD TAPPING	2	
56	90160-05009	SCREW, ROUND TAPPING	1	
57	90183-05807	NUT, SPRING	1	
58	90269-06816	RIVET	1	
59	BAX-F172H-00-P0	PANEL 4	1	UR SMX FOR VPBC5
	BAX-F172H-00-P1	PANEL 4	1	UR MNM3 FOR RYC1
	BAX-F172H-00-P2	PANEL 4	1	UR DBNM8 FOR MS1
60	B17-F836B-30	TUNING FORK MARK	1	
61	BAX-F8328-00	EMBLEM	1	
62	BAX-F8338-00	EMBLEM	1	
63	BAX-F8398-00	GRAPHIC 5	1	UR FOR VPBC5
	BAX-F8398-10	GRAPHIC 5	1	UR FOR RYC1
	BAX-F8398-20	GRAPHIC 5	1	UR FOR MS1

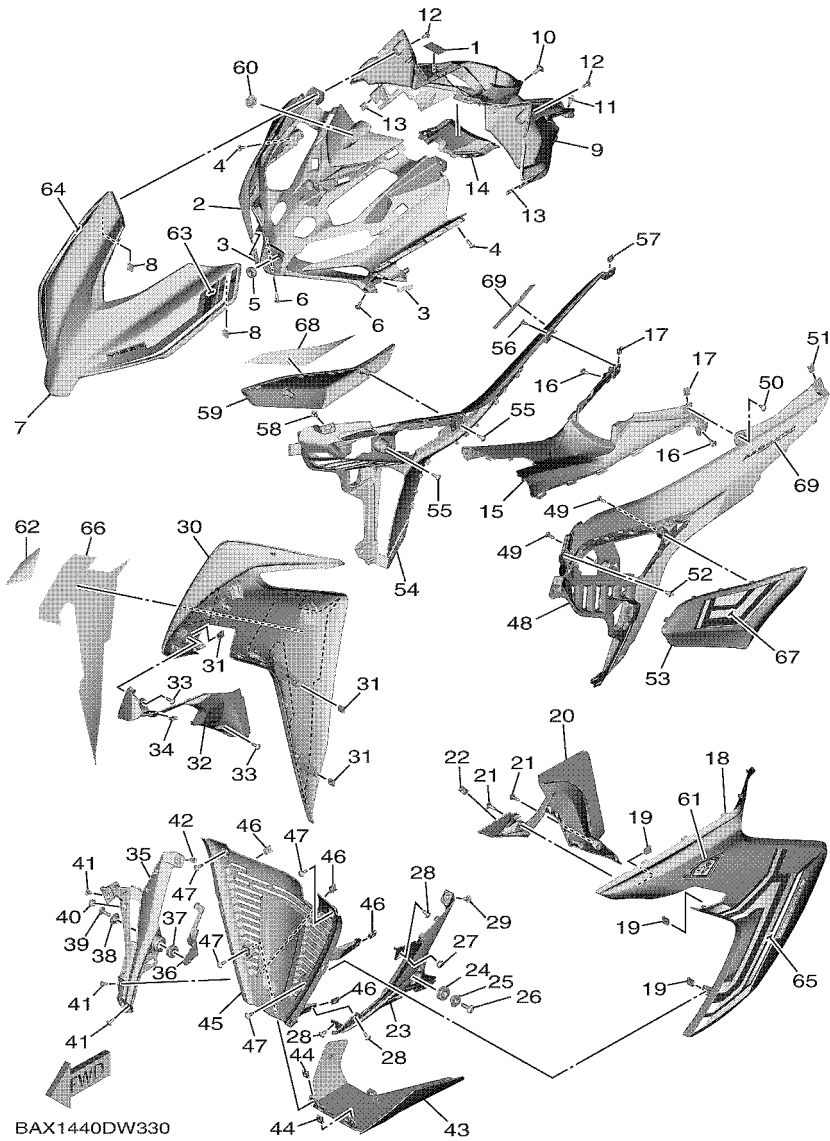
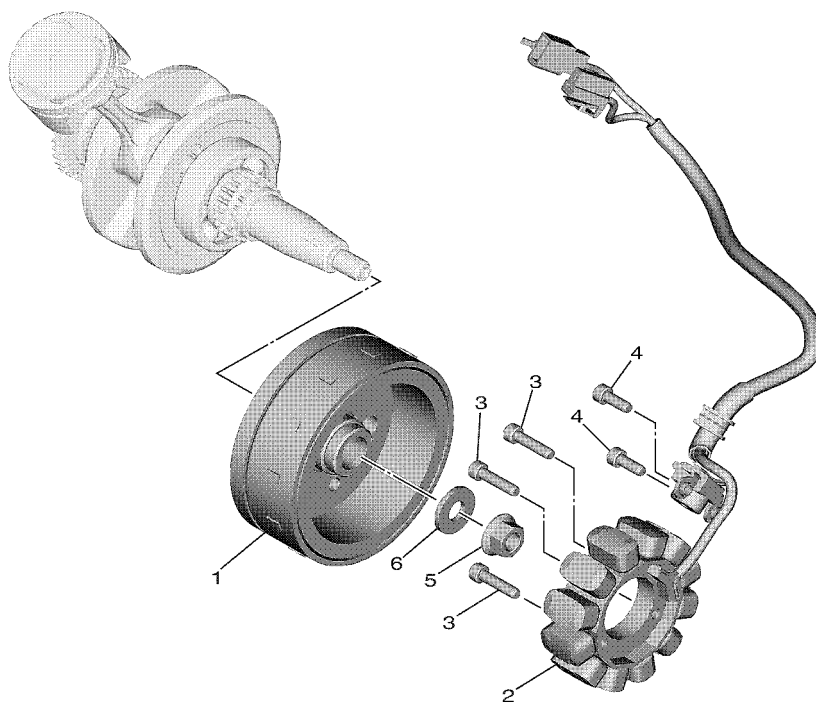


FIG. 33 LEG SHIELD

REF. NO.	PART NO.	DESCRIPTION	BAX1			REMARKS
64	BAX-F8399-00	GRAPHIC 6	1			UR FOR VPBC5
	BAX-F8399-10	GRAPHIC 6	1			UR FOR RYC1
	BAX-F8399-20	GRAPHIC 6	1			UR FOR MS1
65	BAX-F839A-00	GRAPHIC 7	1			UR FOR VPBC5
	BAX-F839A-10	GRAPHIC 7	1			UR FOR RYC1
	BAX-F839A-20	GRAPHIC 7	1			UR FOR MS1
66	BAX-F839E-00	GRAPHIC 8	1			UR FOR VPBC5
	BAX-F839E-10	GRAPHIC 8	1			UR FOR RYC1
	BAX-F839E-20	GRAPHIC 8	1			UR FOR MS1
67	BAX-F83GE-00	GRAPHIC, 11	1			UR FOR VPBC5
	BAX-F83GE-10	GRAPHIC, 11	1			UR FOR RYC1
	BAX-F83GE-20	GRAPHIC, 11	1			UR FOR MS1
68	BAX-F83GF-00	GRAPHIC, 12	1			UR FOR VPBC5
	BAX-F83GF-10	GRAPHIC, 12	1			UR FOR RYC1
	BAX-F83GF-20	GRAPHIC, 12	1			UR FOR MS1
69	BAX-F834C-00	EMBLEM, 1	2			UR FOR VPBC5
	BAX-F834C-10	EMBLEM, 1	2			UR FOR RYC1
	BAX-F834C-20	EMBLEM, 1	2			UR FOR MS1

FIG. 34 GENERATOR

REF. NO.	PART NO.	DESCRIPTION	BAX1				REMARKS
1	2ND-H1450-02	ROTOR ASSY	1				
2	B5V-H1410-00	STATOR ASSY	1				
3	91332-06025	BOLT	3				
4	91332-06016	BOLT	2				
5	95702-12500	NUT, FLANGE	1				
6	90201-12019	WASHER, PLATE	1				



B5V1422DW410

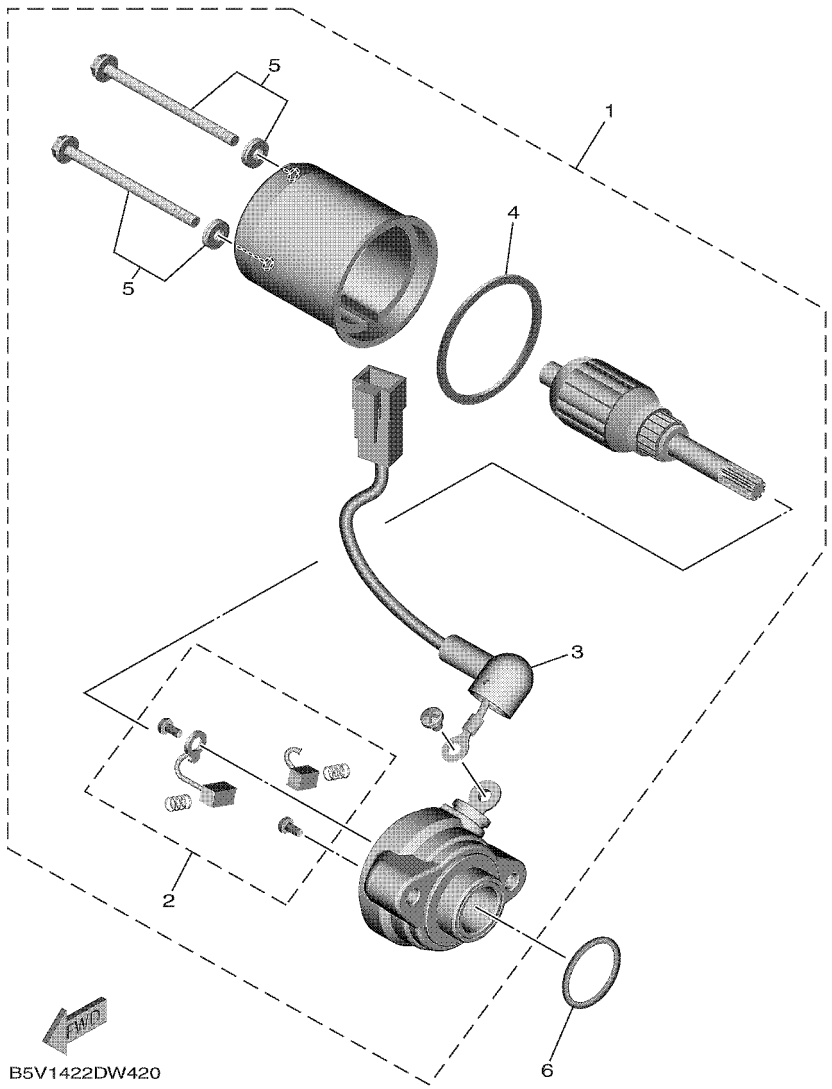
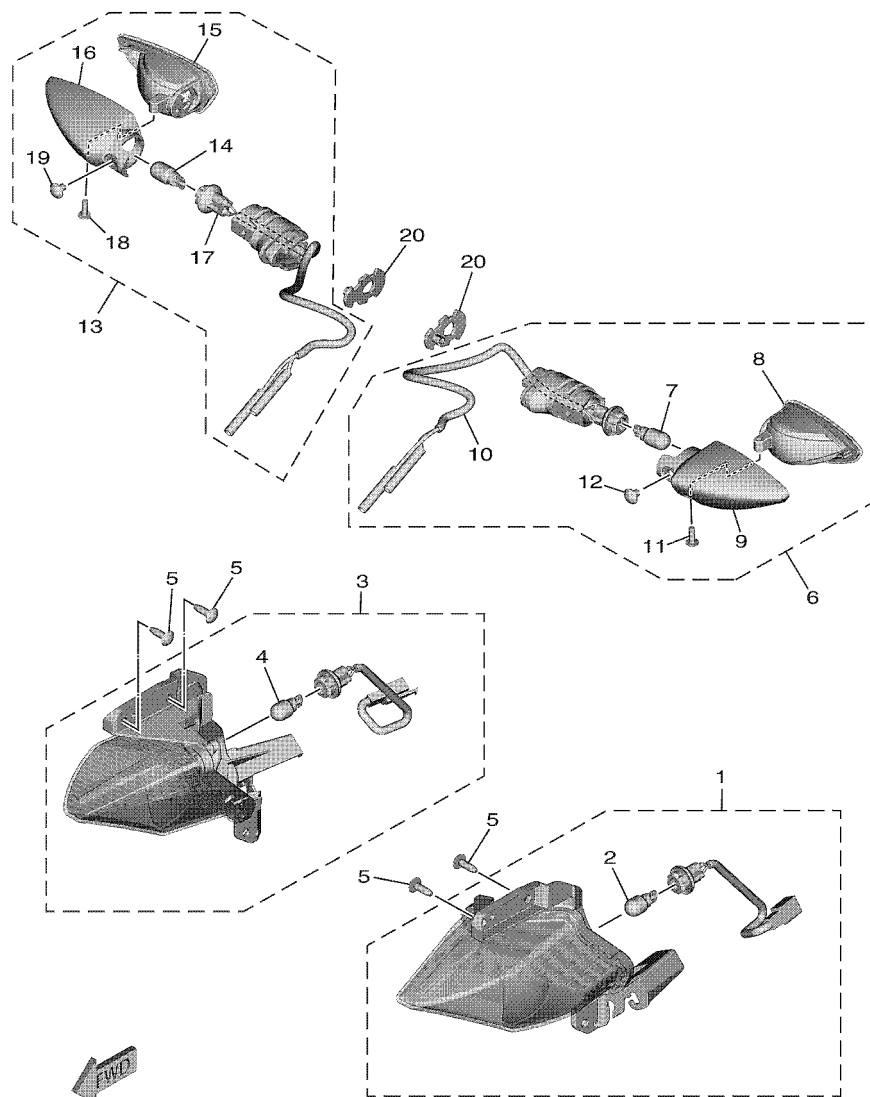


FIG. 35 STARTING MOTOR

REF. NO.	PART NO.	DESCRIPTION	BAX1				REMARKS
1	2ND-H1890-02	MOTOR ASSY	1				
2	2BM-H1801-00	.BRUSH SET	1				
3	1FC-H183G-00	.CORD COMP.	1				
4	5D9-H1861-00	.GASKET	1				
5	5D9-H1828-00	.SCREW SET	1				
6	93210-26806	O-RING	1				

FIG. 36 FLASHER LIGHT

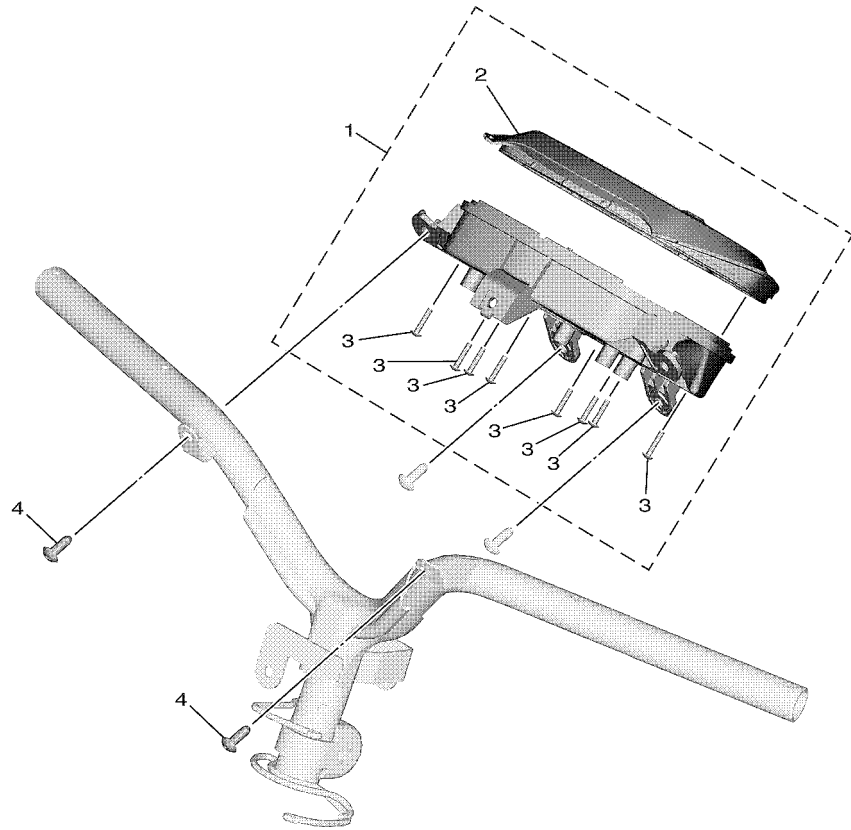


BAX1440DW360

REF. NO.	PART NO.	DESCRIPTION	BAX1				REMARKS
1	B5V-H3310-00	FRONT FLASHER LIGHT ASSY 1	1				
2	2CB-H3311-00	.BULB, FLASHER (12V-10W)	1				
3	B5V-H3320-00	FRONT FLASHER LIGHT ASSY 2	1				
4	2CB-H3311-00	.BULB, FLASHER (12V-10W)	1				
5	97707-50016	SCREW, TRUSS HEAD TAPPING	4				
6	BAX-H3330-00	REAR FLASHER LIGHT ASSY 1	1				
7	55D-H3311-00	.BULB, FLASHER (12V-10W)	1				
8	55D-H333A-00	.LENS COMP 1	1				
9	55D-H3323-00	.BODY	1				
10	BAX-H333E-00	.CORD ASSY	1				
11	55D-H3333-00	.SCREW, LENS FITTING	1				
12	55D-H3358-00	.SCREW, SPECIAL	1				
13	BAX-H3340-00	REAR FLASHER LIGHT ASSY 2	1				
14	55D-H3311-00	.BULB, FLASHER (12V-10W)	1				
15	55D-H334A-00	.LENS COMP 2	1				
16	55D-H332M-00	.BODY 2	1				
17	BAX-H334E-00	.CORD ASSY	1				
18	55D-H3333-00	.SCREW, LENS FITTING	1				
19	55D-H3358-00	.SCREW, SPECIAL	1				
20	1VP-H3318-00	STAY, FLASHER 1	2				

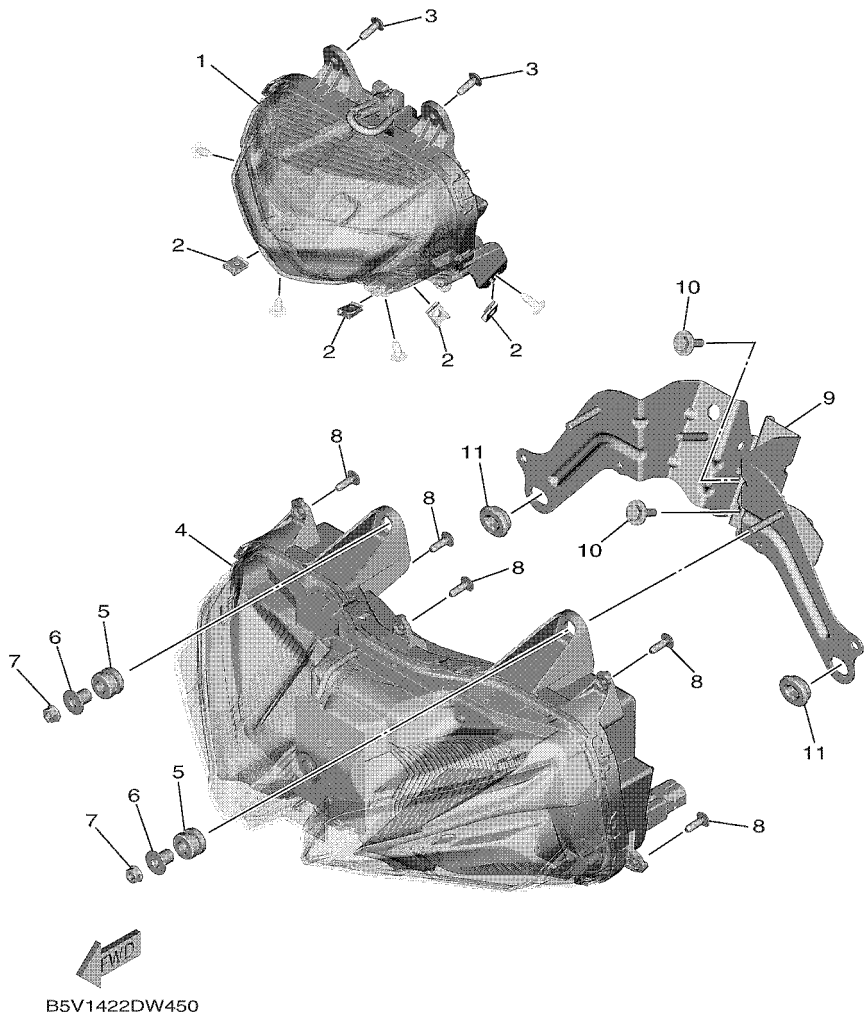
FIG. 37 METER

REF. NO.	PART NO.	DESCRIPTION	BAX1				REMARKS
1	B5V-H3500-00	METER ASSY	1				
2	B5V-H3571-00	.CASE, SPEEDOMETER UPPER	1				
3	97702-30016	.SCREW,TAPPING	8				
4	90160-05012	SCREW, ROUND TAPPING	2				




 B5V1422DW440

FIG. 38 HEADLIGHT



REF. NO.	PART NO.	DESCRIPTION	BAX1				REMARKS
1	B5V-H4310-00	HEADLIGHT UNIT ASSY	1				
2	90183-05807	NUT, SPRING	4				
3	90160-05012	SCREW, ROUND TAPPING	2				
4	B5V-H431A-00	HEADLIGHT UNIT ASSY 2	1				
5	90480-14023	GROMMET	2				
6	90387-06158	COLLAR	2				
7	95702-06500	NUT, FLANGE	2				
8	90160-05012	SCREW, ROUND TAPPING	5				
9	BAX-H4118-00	STAY, HEADLIGHT 1	1				
10	90119-06810	BOLT, WITH WASHER	2				
11	90480-01870	GROMMET	2				

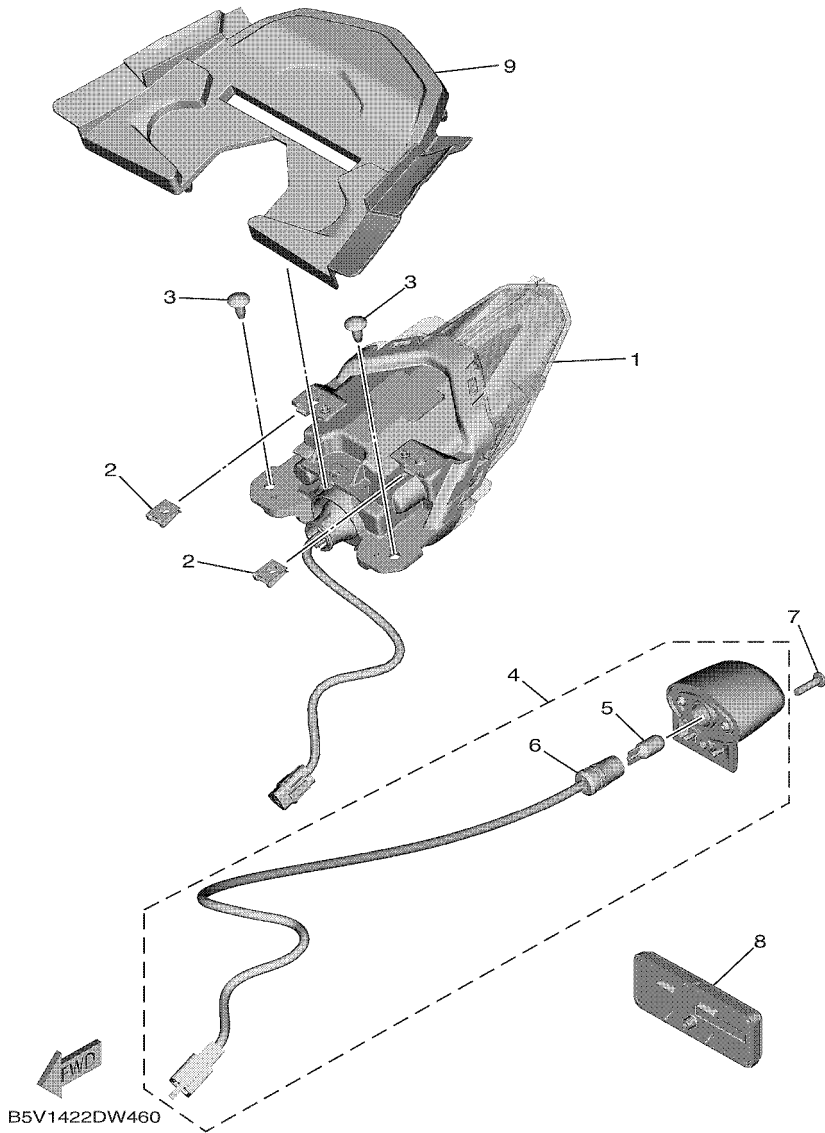
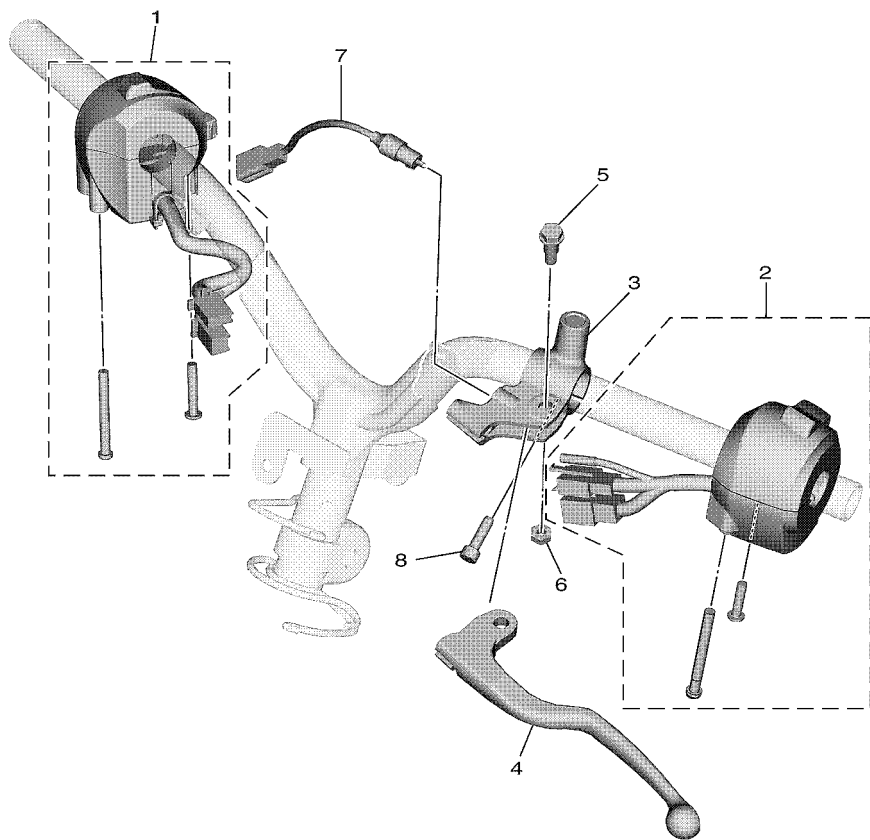


FIG. 39 TAILLIGHT

REF. NO.	PART NO.	DESCRIPTION	BAX1				REMARKS
1	B5V-H4710-00	TAILLIGHT UNIT ASSY	1				
2	90183-05807	NUT, SPRING	2				
3	97707-50012	SCREW, TRUSS HEAD TAPPING	2				
4	BAX-H4740-00	LICENCE LIGHT ASSY	1				
5	B17-H4744-00	.BULB (12V-5W)	1				
6	BXA-H4547-00	.CORD, LICENCE LIGHT	1				
7	98907-04016	SCREW, BIND	1				
8	55D-H5130-00	REAR REFLECTOR ASSY	1				
9	BAX-H4516-00	COVER, TAILLIGHT	1				

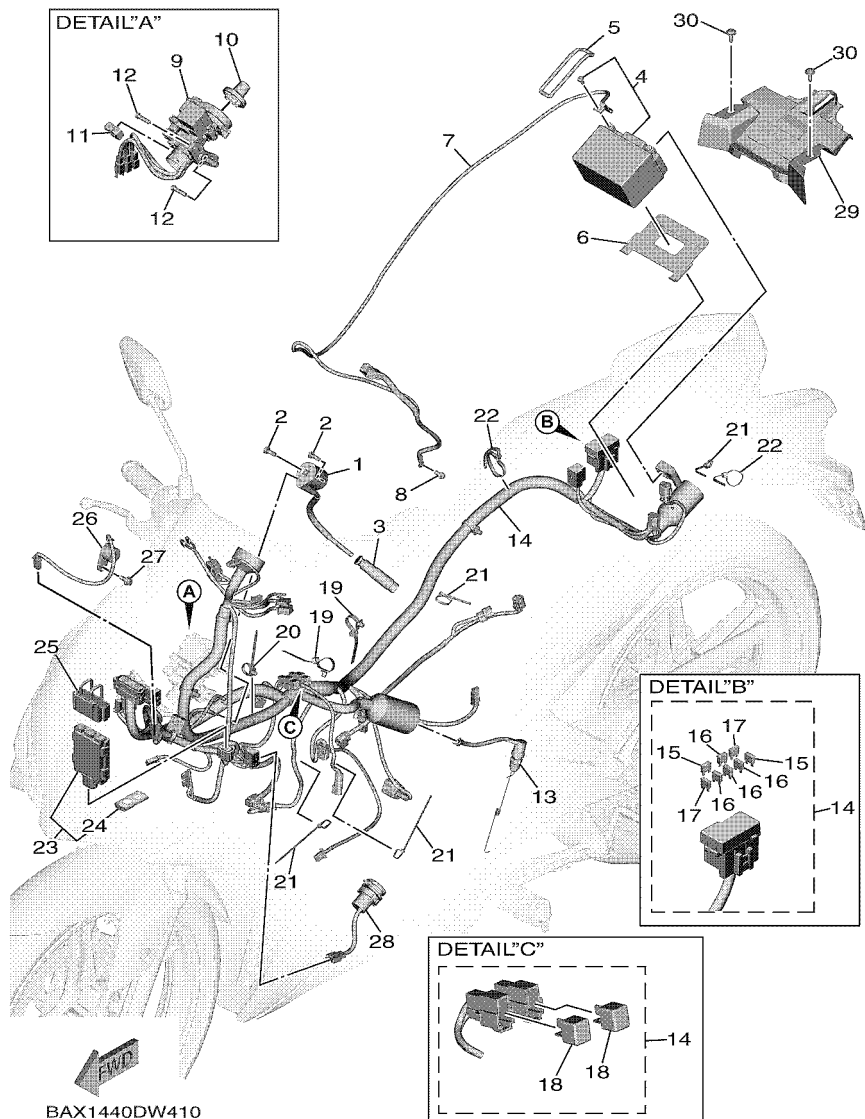
FIG. 40 HANDLE SWITCH & LEVER



REF. NO.	PART NO.	DESCRIPTION	BAX1				REMARKS
1	BAW-H3963-00	SWITCH, HANDLE 3	1				
2	B5V-H3973-00	SWITCH, HANDLE 3	1				
3	55P-H2911-00	HOLDER, LEVER 1	1				
4	B5V-H3912-00	LEVER 1	1				
5	90109-06827	BOLT	1				
6	95607-06100	NUT, SELF-LOCKING	1				
7	55P-H2917-00	SWITCH	1				
8	91337-06020	BOLT	1				

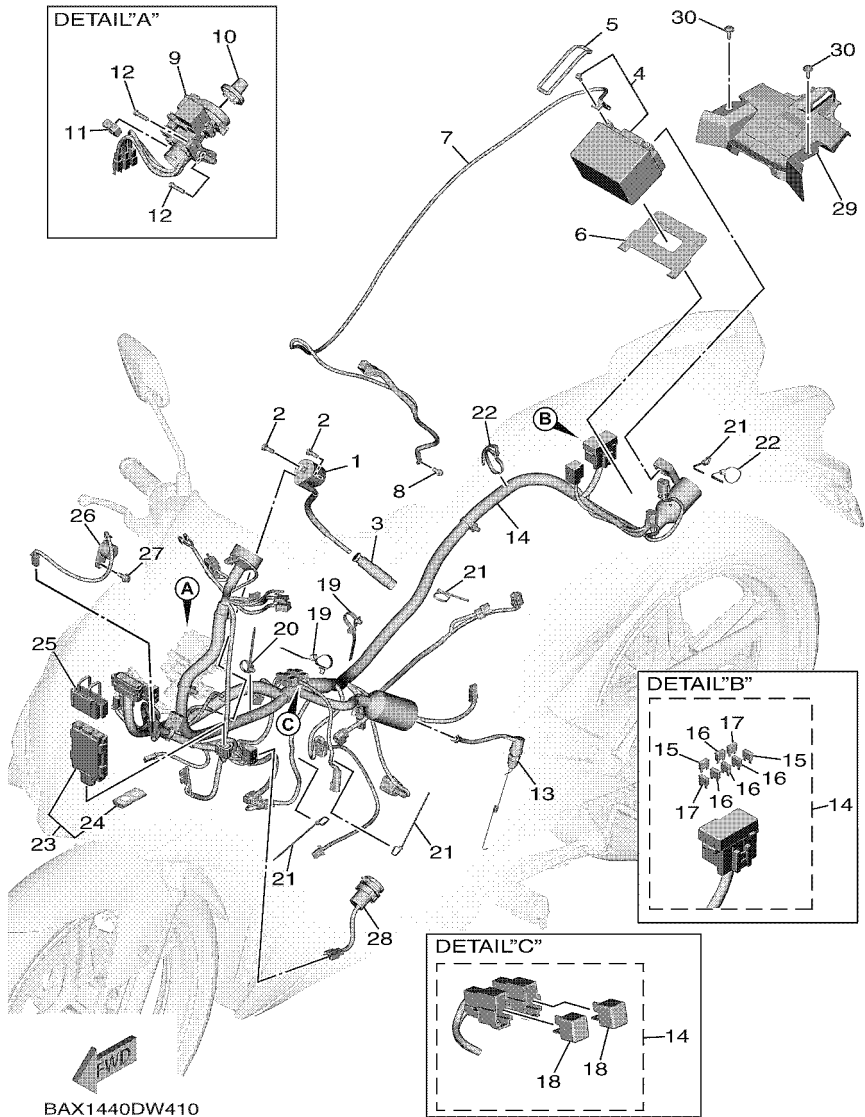

 B5V1422DW470

FIG. 41 ELECTRICAL 1



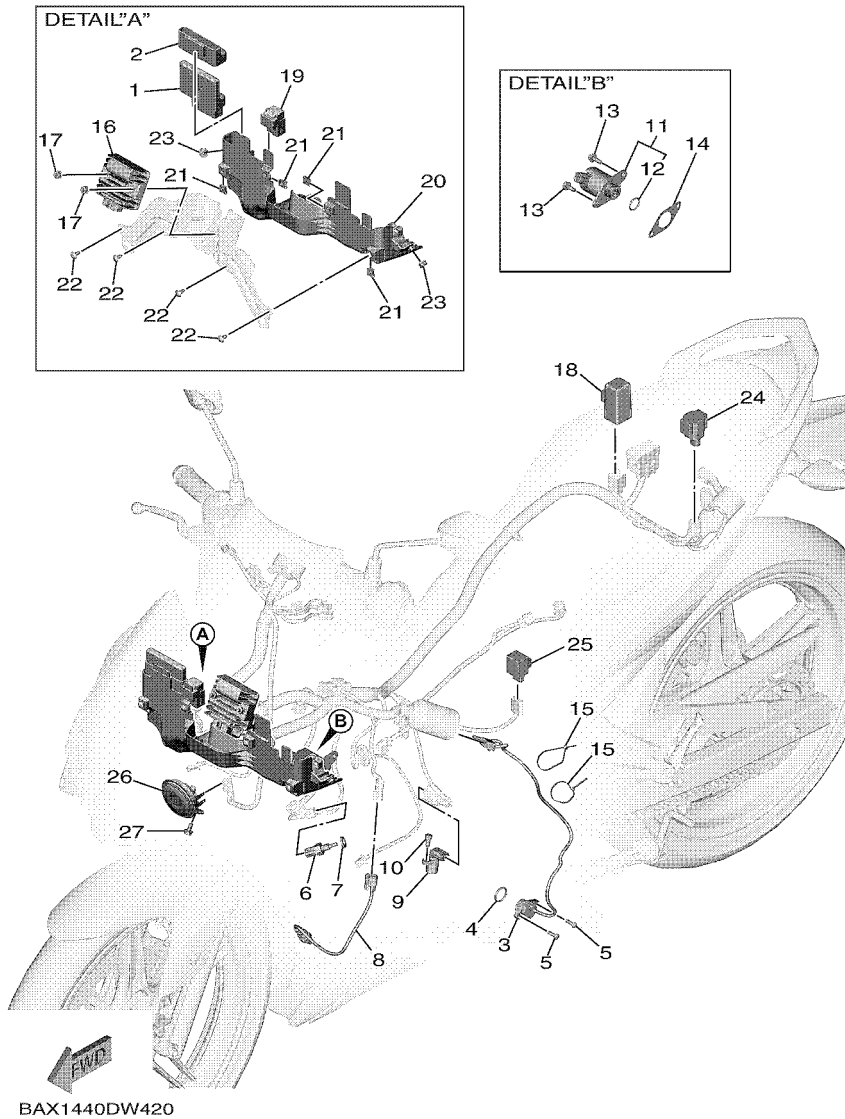
REF. NO.	PART NO.	DESCRIPTION	BAX1	REMARKS
1	B5V-H2310-00	IGNITION COIL ASSY	1	
2	97002-06016	BOLT, HEXAGON	2	
3	B0T-H2370-00	PLUG CAP ASSY	1	
4	55D-H2100-00	BATTERY ASSY (PINACO PTZ5S)	1	
5	5VW-H2131-00	BAND, BATTERY	1	
6	BAX-H2121-00	PAD, BATTERY	1	
7	BAX-H2116-00	WIRE, MINUS LEAD	1	
8	95022-06012	BOLT, FLANGE	1	
9	BAX-H2501-00	MAIN SWITCH STEERING LOCK	1	
10	B63-H276E-01	KNOB COMP.	1	
11	90464-09806	CLAMP	1	
12	90111-06162	BOLT,HEX. SOCKET BUTTON	2	
13	B5V-H2530-00	STOP SWITCH ASSY	1	
14	BAX-H2590-00	WIRE HARNESS ASSY	1	
15	BAX-H2151-20	.FUSE (20A)	2	
16	2BR-H2151-00	.FUSE (10A)	4	
17	BAX-H2151-90	.FUSE (5A)	2	
18	3WP-81980-00	.DIODE ASSY	2	
19	90464-34002	CLAMP	2	
20	90464-36007	CLAMP	1	
21	90464-36800	CLAMP	4	
22	90464-70800	CLAMP	2	
23	BX9-H6260-01	REMOTE CONTROL UNIT ASSY	1	
24	B2T-H6261-00	.XMTR. COMP.	1	
25	B63-H5546-00	BAND	1	
26	B8A-H3383-00	BUZZER	1	
27	95D32-06014	BOLT, FLANGE DEEP RECESS	1	

FIG. 41 ELECTRICAL 1



REF. NO.	PART NO.	DESCRIPTION	BAX1				REMARKS
28	BB8-H254B-00	TERMINAL COMP.	1				
29	BAX-F255V-00	PLATE, BATTERY COVER	1				
30	90159-06810	SCREW, WITH WASHER	2				
<hr/>							
<hr/>							
<hr/>							
<hr/>							
<hr/>							
<hr/>							
<hr/>							
<hr/>							
<hr/>							
<hr/>							
<hr/>							
<hr/>							
<hr/>							
<hr/>							
<hr/>							
<hr/>							
<hr/>							
<hr/>							
<hr/>							
<hr/>							
<hr/>							
<hr/>							

FIG. 42 ELECTRICAL 2



REF. NO.	PART NO.	DESCRIPTION	BAX1				REMARKS
1	BAX-H591A-00	ENGINE CONTROL UNIT ASSY	1				
2	B5V-H5546-00	BAND	1				
3	B5V-H2540-00	NEUTRAL SWITCH ASSY	1				
4	93210-21802	O-RING	1				
5	98502-05016	SCREW,PAN HEAD	2				
6	52B-H3591-00	THERMO UNIT	1				
7	90430-10807	GASKET	1				
8	B5V-H592A-00	SENSOR, OXYGEN	1				
9	2ND-H3755-10	SENSOR, SPEED	1				
10	91312-06014	BOLT, HEXAGON SOCKET HEAD	1				
11	BK6-H6110-00	SOLENOID	1				
12	BK6-H1847-00	.O-RING	1				
13	95D32-06016	BOLT, FLANGE DEEP RECESS	2				
14	BAX-H1861-00	GASKET	1				
15	90464-50800	CLAMP	2				
16	2ND-H1960-10	RECTIFIER & REGULATOR ASSY	1				
17	95702-06500	NUT, FLANGE	2				
18	5TN-H1940-00	STARTER RELAY ASSY	1				
19	BK6-H1950-00	RELAY ASSY	1				
20	BAX-H2154-00	CASE	1				
21	90183-05807	NUT, SPRING	4				
22	97707-50012	SCREW, TRUSS HEAD TAPPING	4				
23	55C-H4759-00	GROMMET	2				
24	1PA-H2576-00	SENSOR, LEAN ANGLE	1				
25	3XV-83350-22	FLASHER RELAY ASSY	1				
26	BAX-H3371-00	HORN	1				
27	95D02-06012	BOLT, FLANGE DEEP RECESS	1				

NUMERICAL INDEX

PART NO.	REF. NO.	PART NO.	REF. NO.	PART NO.	REF. NO.	PART NO.	REF. NO.	PART NO.	REF. NO.	PART NO.	REF. NO.
52S-12439-00	6 - 2	2ND-E2210-20	4 - 17	B5V-E4411-00	8 - 16	2ND-E6357-00	13 - 26	BAX-F1711-00	19 - 1	5LL-F3144-00	22 - 11
50C-2536G-00	28 - 18	BAX-E2213-00	4 - 19	B5V-E4412-00	8 - 17	B5V-E6358-00	13 - 18	BAX-F1717-00	29 - 17		22 - 26
3GD-25803-00	28 - 7	5MX-E2222-00	4 - 18	B5V-E4417-00	8 - 31	B5V-E6371-00	13 - 7	BAX-F171E-00	19 - 19	4UV-F3145-00	22 - 3
47X-25824-01	26 - 8	BK6-E2226-00	3 - 11	5WP-E443E-00	8 - 22	B5V-E6380-00	13 - 24	BAX-F1721-00	19 - 6		22 - 18
36Y-2589H-00	30 - 9	1DR-E2228-00	4 - 15	B5V-E4450-00	8 - 18	B5V-E6647-00	13 - 4	BAX-F172G-00-P0	33 - 53	2JG-F3147-00	22 - 14
5BU-27234-00	32 - 15	B63-E2231-00	4 - 13	2ND-E4452-00	8 - 20	BK6-E6774-00	13 - 15	BAX-F172G-00-P1	33 - 53		22 - 29
3WP-81980-00	41 - 18	B5V-E2241-00	4 - 14	B5V-E4453-00	8 - 19	55P-E7211-00	14 - 7	BAX-F172G-00-P2	33 - 53	5TF-F3152-00	22 - 8
3XV-83350-22	42 - 25	BAX-E2256-00	4 - 16	BK7-E4613-00	9 - 6	B5V-E7221-00	14 - 15	BAX-F172H-00-P0	33 - 59		22 - 23
BAX-E1102-00	1 - 1	BAX-E2279-00	3 - 12	BAX-E4703-00	9 - 1	B5V-E7231-00	14 - 13	BAX-F172H-00-P1	33 - 59	31D-F3153-00	22 - 15
BAX-E111F-00	4 - 10	B3M-E2280-00	4 - 7	BAX-E4718-00	9 - 2	B5V-E7241-00	14 - 12	BAX-F172H-00-P2	33 - 59		22 - 30
B63-E1133-10	1 - 2	B6H-E2288-00	4 - 8	B17-E4747-00	31 - 53	B5V-E7251-00	14 - 9	BAX-F172L-00	19 - 27	5P0-F3156-00	22 - 4
B5V-E1165-00	1 - 8	B63-E22A2-00	6 - 11	BAX-E4799-00	9 - 4	B5V-E7261-00	14 - 14	BAX-F172L-00-P0	19 - 11		22 - 19
B5V-E1166-00	8 - 27	B5V-E2405-00	6 - 12	B5V-E4877-00	8 - 24	B5V-E7410-00	14 - 1	BAX-F1731-00-P1	19 - 11	BAX-F3157-00	22 - 7
B5V-E1169-00	1 - 9	BK6-E2410-00	6 - 1	2ND-E5113-00	11 - 7	B5V-E7421-00	14 - 6	BAX-F1731-00-P2	19 - 11		22 - 22
2DP-E1181-00	1 - 20	BT3-E2422-00	5 - 1	BAX-E5150-00	10 - 1	1S8-E7456-00	14 - 23	BAX-F173E-00	19 - 30	509-F3158-L0	22 - 9
B63-E1185-01	5 - 4	2DP-E2428-00	5 - 3	1S8-E5351-00	7 - 3	16S-E7471-00	14 - 4	BAX-F173E-10	19 - 30		22 - 24
B5V-E1191-00	1 - 7	B65-E2439-00	6 - 9	BAX-E5362-00	11 - 15	B5V-E8101-00	16 - 4	BAX-F173E-20	19 - 30	BAX-F3170-00	22 - 6
B3F-E1193-00	1 - 15	B5V-E2443-10	5 - 12	BAX-E5411-00	11 - 1	BAX-E8110-00	16 - 9	BAX-F173F-00	19 - 31		22 - 21
B5V-E1311-00	1 - 24	BAX-E244E-00	5 - 17	BAX-E5418-10	11 - 8	5HU-E8113-00	16 - 10	BAX-F173F-10	19 - 31	31D-F3181-50	22 - 10
B5V-E132G-00	1 - 13	2DP-E2450-00	5 - 5	BAX-E5421-00	11 - 10	B5V-E8140-00	16 - 1	BAX-F173F-20	19 - 31		22 - 25
BAX-E132G-00	1 - 13	B5V-E2461-00	6 - 7	B5V-E5441-00	4 - 20	BK7-E8185-00	15 - 2	BAX-F1741-00-P0	19 - 15	BAX-F3340-00	22 - 31
B0T-E1351-00	1 - 25	B65-E2462-02	6 - 8	BAX-E5451-00	11 - 2	B5V-E8337-00	16 - 3	BAX-F1741-00-P1	19 - 15	31D-F3346-00	22 - 33
B5V-E1422-00	2 - 4	BAX-E2481-00	6 - 20	BAX-E5461-00	11 - 11	2ND-E8511-00	15 - 7	BAX-F1741-00-P2	19 - 15	BAX-F3391-00-P0	33 - 7
BAX-E1454-00	2 - 18	BAX-E2482-00	6 - 21	B17-E5514-00	12 - 1	2ND-E8512-00	15 - 8	BAX-F174G-00	19 - 32	BAX-F3391-00-P1	33 - 7
2ND-E1496-00	2 - 13	B5V-E2483-00	6 - 4	1S8-E5521-00	12 - 2	2ND-E8513-00	15 - 9	BAX-F174G-10	19 - 32	BAX-F3391-00-P2	33 - 7
2ND-E1531-10	2 - 19	5YP-E2675-00	6 - 13	2ND-E5524-01	12 - 3	2ND-E8531-00	15 - 10	BAX-F174G-20	19 - 32	4FP-F3411-10	22 - 32
2ND-E1536-00	2 - 12	B65-E2843-00	6 - 10	2PV-E5572-00	12 - 9	B5V-E8540-00	15 - 1	BAX-F1816-00	19 - 28	4RT-F3411-10	21 - 4
B5V-E1557-00	3 - 10	2ND-E3300-01	7 - 1	2PV-E5580-00	12 - 6	3S4-E8542-00	15 - 5	BAX-F1817-00	19 - 29	1KL-F3412-10	21 - 1
B5V-E1603-00	2 - 11	2ND-E3324-10	7 - 8	2PH-E5583-10	12 - 7	BAX-F1110-00	17 - 1	B5V-F1871-00	19 - 24	4RT-F3412-10	21 - 3
B5V-E1631-00	2 - 8	3C1-E3327-00	7 - 13	1ST-E5614-00	12 - 8	B17-F113J-00	21 - 12	1S9-F1875-00	19 - 26	5P1-F3416-00	21 - 6
5YP-E1633-00	2 - 9	38B-E3411-00	7 - 4	2ND-E6111-00	13 - 1	B17-F113K-00	21 - 16	BAX-F2100-00	20 - 1	1P6-F341E-10	21 - 5
B5V-E1651-00	2 - 3	38B-E3440-01	7 - 7	2ND-E6111-10	13 - 1	BAX-F117K-00	18 - 12	5B9-F2123-00	20 - 2	5VL-F341E-10	21 - 2
BK6-E1681-00	2 - 5	55C-E3447-00	7 - 9	2ND-E6144-00	13 - 20	B5V-F1315-00	17 - 8	B17-F2151-10	20 - 3	BAX-F4110-00	23 - 1
B5V-E2111-01	3 - 1	2FB-E3556-00	8 - 10	B5V-E6150-00	13 - 5	BAX-F133F-00	32 - 20	BAX-F2167-00	28 - 3	1FC-F412G-00	23 - 3
B63-E2113-00	3 - 4	BAX-E3557-00	8 - 11	2ND-E6154-00	13 - 6	BAX-F137U-01	33 - 20	BAX-F2174-00	27 - 21	1DB-F414G-01	23 - 13
B63-E2117-01	3 - 6	BK6-E3585-00	8 - 1	55P-E6193-00	13 - 2	BAX-F137V-01	33 - 32	B17-F2210-30	20 - 9	BAX-F41B1-00	23 - 20
5TL-E2118-00	3 - 5	B5V-E3750-00	8 - 14	2ND-E6321-00	13 - 8	B17-F1511-10-P1	18 - 1	BAX-F2328-00	18 - 19	1FC-F4339-00	23 - 5
B63-E2119-00	3 - 3	BK6-E3761-00	8 - 5	B5V-E6321-00	13 - 10	B17-F1511-10-P4	18 - 1	BAX-F255V-00	41 - 29	BAX-F4491-00	23 - 14
B5V-E2121-00	3 - 2	2ND-E3767-10	8 - 13	B5V-E6324-00	13 - 12	B17-F1511-10-P5	18 - 1	BAX-F3102-00	22 - 1	4YY-F4610-00	23 - 18
55P-E2126-00	3 - 7	BK6-E3770-00	8 - 4	B5V-E6325-00	13 - 11	B17-F1513-00	18 - 2	BAX-F3103-00	22 - 16	4YY-F4612-00	23 - 19
B5V-E2150-00	3 - 8	B5V-E3907-00	23 - 10	B5V-E6331-00	13 - 9	B17-F1514-00	18 - 3	BAX-F3110-00	22 - 5	B5V-F465E-00	18 - 11
B5V-E2156-00	3 - 14	54P-E3915-00	23 - 11	BK6-E6333-00	13 - 14	BAX-F1552-01	33 - 45		22 - 20	BAX-F470F-10	24 - 2
BAX-E2156-00	3 - 14	54P-E3938-00	8 - 8	B5V-E6337-00	13 - 17	B17-F1568-00	33 - 1	BAX-F3111-00	22 - 13	BAX-F470F-20	24 - 2
B63-E2157-00	4 - 9	B5V-E3971-00	23 - 16	2ND-E6344-00	13 - 21	BAX-F1611-00	18 - 6		22 - 28	BAX-F471A-00	24 - 7
B5V-E2160-01	3 - 13	54P-E4137-00	8 - 9	B5V-E6345-00	13 - 25	BAX-F1629-00	18 - 15	B17-F3126-00	22 - 2	2WB-F4727-00	24 - 8
BAX-E2166-00	3 - 9	54P-E4147-00	8 - 6	B5V-E6351-00	13 - 13	BAX-F164F-00	18 - 20	BAX-F3136-00	22 - 17	BAX-F4730-10	24 - 1
B5V-E2166-10	3 - 9	5CA-E4147-00	8 - 7	B5V-E6352-00	13 - 16	B17-F1650-00	20 - 6	BAX-F3141-00	22 - 12	BAX-F4730-20	24 - 1
BAX-E2170-00	4 - 1	BAX-E4199-00	8 - 2	B5V-E6356-00	13 - 19	B17-F1668-10	20 - 12		22 - 27	BAX-F4741-00	24 - 4

NUMERICAL INDEX

PART NO.	REF. NO.	PART NO.	REF. NO.	PART NO.	REF. NO.	PART NO.	REF. NO.	PART NO.	REF. NO.	PART NO.	REF. NO.
1VP-F4741-10	24 - 3	50C-F5827-00	28 - 12	1S8-F6199-00	29 - 14	BAX-F834C-20	33 - 69	5D9-H1861-00	35 - 4	52B-H3591-00	42 - 6
BAX-F4741-10	24 - 5	50C-F5828-00	28 - 13		33 - 27	BAX-F835U-00-P0	33 - 18	BAX-H1861-00	42 - 14	2ND-H3755-10	42 - 9
55C-F4742-00	32 - 16	50C-F582A-50	32 - 5		33 - 40	BAX-F835U-00-P1	33 - 18	2ND-H1890-02	35 - 1	B5V-H3912-00	40 - 4
BAX-F4747-00	24 - 6	B5V-F582U-01	26 - 1	BAX-F61AA-00-P0	29 - 16	BAX-F835U-00-P2	33 - 18	5TN-H1940-00	42 - 18	2ND-H3922-00	30 - 13
BAX-F4773-00-P0	24 - 13	B17-F582W-00	28 - 1	BAX-F61AA-00-P1	29 - 16	BAX-F835V-00-P0	33 - 30	BK6-H1950-00	42 - 19	BAW-H3963-00	40 - 1
BAX-F4773-00-P1	24 - 13	B5V-F583T-00	30 - 4	BAX-F61AA-00-P2	29 - 16	BAX-F835V-00-P1	33 - 30	BAX-H1960-10	42 - 16	B5V-H3973-00	40 - 2
BAX-F4773-00-P2	24 - 13	2ND-F5852-00	30 - 8	1S8-F622F-00	29 - 28	BAX-F835V-00-P2	33 - 30	55D-H2100-00	41 - 4	B6H-H3980-00	30 - 16
B5V-F4780-00	24 - 9	50C-F5852-00	32 - 9	BAX-F622H-00	29 - 27	BAX-F8365-00	33 - 15	BAX-H2116-00	41 - 7	BAX-H4118-00	38 - 9
BAX-F478E-00	24 - 11	2ND-F5854-00	30 - 7	B17-F6240-02	29 - 19	B17-F836B-30	33 - 60	BAX-H2121-00	41 - 6	B5V-H4310-00	38 - 1
BAX-F478X-00	17 - 2	2VN-F5854-00	32 - 11	1VP-F6241-00	29 - 20	BAX-F836K-00	33 - 2	5VW-H2131-00	41 - 5	B5V-H431A-00	38 - 4
B5V-F479D-00	24 - 12	2ND-F5855-00	30 - 11	BAX-F6246-00	29 - 25	BAX-F836L-00	33 - 9	2BR-H2151-00	41 - 16	BAX-H4516-00	39 - 9
BAX-F482H-00	18 - 23	50C-F5855-00	32 - 10	16S-F6257-00	29 - 26	1S8-F8372-00	23 - 8	BAX-H2151-20	41 - 15	BXA-H4547-00	39 - 6
B17-F5168-10-33	25 - 1	50C-F5866-00	32 - 6	55C-F6259-00	32 - 17	BAX-F837D-00-P0	33 - 43	BAX-H2151-90	41 - 17	B5V-H4710-00	39 - 1
B6A-F5181-00	25 - 8	5TL-F5867-11	30 - 12	B17-F6280-10	29 - 21	BAX-F837D-00-P1	33 - 43	BAX-H2154-00	42 - 20	BAX-H4740-00	39 - 4
BAX-F51G1-00	25 - 10	2ND-F5870-00	30 - 5	B17-F6290-10	29 - 22	BAX-F837D-00-P2	33 - 43	B5V-H2310-00	41 - 1	B17-H4744-00	39 - 5
	27 - 25	B5V-F5872-00	30 - 1	BAX-F6301-00	29 - 23	BAX-F8385-00	33 - 23	B0T-H2370-00	41 - 3	55C-H4759-00	42 - 23
BAX-F51G1-10	25 - 10	B5V-F5873-00	32 - 26	BAX-F6335-00	29 - 30	BAX-F8395-00	33 - 35	BAX-H2501-00	41 - 9	2FC-H5111-00	21 - 13
	27 - 25	B17-F5876-00	21 - 10	B17-F7111-10	31 - 1	BAX-F8398-00	33 - 63	B5V-H2530-00	41 - 13		21 - 17
BAX-F51G1-20	25 - 10	B5V-F587A-00	21 - 8	5YP-F7112-00	31 - 3	BAX-F8398-10	33 - 63	B5V-H2540-00	42 - 3	55D-H5130-00	39 - 8
	27 - 25	BAX-F5888-00	32 - 18	31D-F7114-00	31 - 2	BAX-F8398-20	33 - 63	BB8-H254B-00	41 - 28	B5V-H5546-00	42 - 2
BAX-F51G2-00	25 - 11	3RW-F5889-00	30 - 10	BAX-F7211-00	31 - 9	BAX-F8399-00	33 - 64	1PA-H2576-00	42 - 24	B63-H5546-00	41 - 25
	27 - 26	50C-F5894-11	32 - 8	50C-F7222-00	32 - 4	BAX-F8399-10	33 - 64	BAX-H2590-00	41 - 14	B5V-H5752-00	23 - 12
BAX-F51G2-10	25 - 11	4S3-F5895-00	32 - 13	BAX-F7311-00	31 - 12	BAX-F8399-20	33 - 64	B63-H276E-01	41 - 10	BAX-H591A-00	42 - 1
	27 - 26	50C-F589A-00	32 - 14	BAX-F7411-00	31 - 17	BAX-F839A-00	33 - 65	55P-H2911-00	40 - 3	B5V-H592A-00	42 - 8
BAX-F51G2-20	25 - 11	50C-F5914-00	28 - 10	B17-F7413-00	31 - 20	BAX-F839A-10	33 - 65	55P-H2917-00	40 - 7	BK6-H6110-00	42 - 11
	27 - 26	50C-F5916-00	28 - 20		31 - 27	BAX-F839A-20	33 - 65	B5V-H3310-00	36 - 1	BX9-H6260-01	41 - 23
B17-F5317-00	27 - 2	50C-F5917-00	28 - 15	B5V-F741E-00	31 - 21	BAX-F839E-00	33 - 66	2CB-H3311-00	36 - 2	B2T-H6261-00	41 - 24
B17-F5338-10-33	27 - 1	5YP-F5917-00	26 - 6		31 - 28	BAX-F839E-10	33 - 66		36 - 4	50C-W0048-00	28 - 9
B17-F5364-00	27 - 4	50C-F5919-00	28 - 8	B17-F7430-00-P0	31 - 33	BAX-F839E-20	33 - 66	55D-H3311-00	36 - 7	B5V-WE140-00	2 - 1
B17-F5366-00	27 - 6	5PO-F5919-01	26 - 10	3C1-F7431-01	31 - 35	BAX-F839E-00	33 - 67		36 - 14	90101-08829	31 - 13
B17-F5377-00	27 - 7	1DB-F5921-01	26 - 13	B17-F7437-00	31 - 40	BAX-F83GE-10	33 - 67	1VP-H3318-00	36 - 20	90105-088H9	1 - 17
4NP-F5381-00	20 - 4	1PA-F5921-01	28 - 16		31 - 50	BAX-F83GE-20	33 - 67	B5V-H3320-00	36 - 3	90105-088J0	1 - 16
B5V-F5381-00	27 - 16	5YP-F5924-00	26 - 11	B17-F7440-00-P0	31 - 43	BAX-F83GF-00	33 - 68	55D-H3323-00	36 - 9	90105-10896	29 - 2
B17-F5383-00	27 - 23	5YP-F5925-01	26 - 12	3C1-F7441-01	31 - 45	BAX-F83GF-10	33 - 68	55D-H332M-00	36 - 16	90105-108A6	26 - 16
BAX-F5388-00	27 - 20	50C-F5933-00	28 - 19	BAX-F7451-00	31 - 19	BAX-F83GF-20	33 - 68	BAX-H3330-00	36 - 6	90105-108B4	17 - 6
BAX-F5446-00	27 - 10	50C-F5937-00	28 - 14	B17-F7452-00-P0	31 - 34	BAX-F842M-00-P0	33 - 48	55D-H3333-00	36 - 11	90105-108B8	20 - 10
BAX-F5689-00	27 - 13	5YP-F5937-00	26 - 7	BAX-F7461-00	31 - 26	BAX-F842M-00-P1	33 - 48		36 - 18	90109-06202	8 - 26
3C1-F5802-00	26 - 4	5YP-F5939-00	26 - 14	B17-F7462-00-P0	31 - 44	BAX-F842M-00-P2	33 - 48	55D-H333A-00	36 - 8		18 - 7
50C-F5802-00	28 - 6	50C-F5961-00	28 - 17	B17-F814F-00	24 - 17	BAX-F842N-00-P0	33 - 54	BAX-H333E-00	36 - 10		19 - 2
3C1-F5803-50	26 - 5	BAX-F60C1-00	29 - 33	B17-F8152-00	24 - 16	BAX-F842N-00-P1	33 - 54	BAX-H3340-00	36 - 13		19 - 7
B5V-F5805-00	26 - 15	BAX-F60C1-10	29 - 33	55C-F815P-00	8 - 33	BAX-F842N-00-P2	33 - 54	55D-H334A-00	36 - 15	90109-06279	16 - 2
1PA-F5806-00	28 - 11	BAX-F60C1-20	29 - 33	B17-F816B-00	24 - 15	BAX-F843J-00	33 - 14	BAX-H334E-00	36 - 17	90109-06577	30 - 15
2ND-F5808-00	32 - 2	BAX-F60C2-00	29 - 34	BAX-F8322-00	33 - 36	B5V-H1410-00	34 - 2	55D-H3358-00	36 - 12	90109-06827	40 - 5
5PO-F580A-00	30 - 6	BAX-F60C2-10	29 - 34	BAX-F8328-00	33 - 61	2ND-H1450-02	34 - 1		36 - 19	90109-068A4	18 - 4
2ND-F580E-00	32 - 1	BAX-F60C2-20	29 - 34	BAX-F8338-00	33 - 62	2BM-H1801-00	35 - 2	BAX-H3371-00	42 - 26	90109-068B4	19 - 25
B5V-F580U-00	26 - 3	BAX-F6110-00	29 - 1	B5V-F8344-00	33 - 3	5D9-H1828-00	35 - 5	B8A-H3383-00	41 - 26	90109-08087	26 - 2
1PA-F580W-01	28 - 5	BAX-F6143-00	29 - 5	BAX-F834C-00	33 - 69	1FC-H183G-00	35 - 3	B5V-H3500-00	37 - 1		28 - 2
2NL-F5825-00	26 - 9	BAX-F6145-00	29 - 10	BAX-F834C-10	33 - 69	BK6-H1847-00	42 - 12	B5V-H3571-00	37 - 2	90110-06846	8 - 15

NUMERICAL INDEX

PART NO.	REF. NO.	PART NO.	REF. NO.	PART NO.	REF. NO.	PART NO.	REF. NO.	PART NO.	REF. NO.	PART NO.	REF. NO.
90110-06873	12 - 10	90183-05807	33 - 13	90269-06816	33 - 52	90480-15808	6 - 14	91810-07804	4 - 4	93604-06083	4 - 5
90110-06894	1 - 23		33 - 17		33 - 58	90480-18418	33 - 24	91810-14808	1 - 21	93604-08071	2 - 17
90111-05049	29 - 15		33 - 19	90280-03017	2 - 7		33 - 37		1 - 22	93604-10011	15 - 3
90111-05808	7 - 2		33 - 22	90282-05031	2 - 23	90501-06022	15 - 6		10 - 2	93608-30839	16 - 7
90111-05817	29 - 18		33 - 31	90340-12813	1 - 3	90501-06800	15 - 11		11 - 3	93822-14800	14 - 22
90111-06162	41 - 12		33 - 34	90340-14824	11 - 5	90501-12743	31 - 37		11 - 12	93900-00817	25 - 6
90111-06807	9 - 3		33 - 44	90387-06144	6 - 19		31 - 47	92012-05012	29 - 24		27 - 15
	9 - 5		33 - 46	90387-06158	38 - 6	90501-16800	2 - 16		11 - 17	94109-17809	25 - 5
90111-06815	33 - 26		33 - 51	90387-08812	31 - 54	90501-18576	7 - 5	93101-10843	1 - 14	94112-17809	27 - 14
	33 - 39		33 - 57	90387-08820	31 - 15	90506-20041	31 - 10	93102-12808	16 - 8	94568-J9096	4 - 12
90111-06848	33 - 10		38 - 2	90387-08850	18 - 21	90506-26814	31 - 16	93102-12810	13 - 29	94568-K8124	27 - 24
90116-08826	27 - 11		39 - 2	90387-09801	33 - 25	90506-35806	31 - 5	93102-22827	14 - 21	94700-00415	1 - 19
90119-06155	20 - 7		42 - 21		33 - 38	90508-183B9	31 - 23	93103-10801	5 - 2	95022-06012	24 - 10
90119-06810	38 - 10	90183-06800	18 - 14	90387-10277	25 - 7		31 - 30	93106-20816	25 - 3		41 - 8
90123-08046	29 - 31		18 - 16	90387-15810	2 - 20	90508-32837	16 - 5	93106-22808	27 - 5	95022-06014	18 - 17
90149-05801	1 - 10	90185-05803	21 - 14	90387-15830	27 - 19	90520-02014	29 - 7	93106-26815	27 - 8	95022-06020	18 - 13
90151-06818	15 - 4		21 - 18	90387-17804	14 - 8	90520-02859	23 - 9	93210-09807	4 - 3	95027-06020	5 - 8
90159-06810	41 - 30	90185-10011	29 - 3	90401-10812	30 - 2	90520-05028	23 - 6	93210-14899	11 - 6	95301-08700	32 - 3
90160-05009	19 - 3	90201-06880	6 - 16		32 - 27	90520-08007	23 - 7	93210-15620	32 - 7	95302-06600	27 - 22
	19 - 8	90201-08043	31 - 42	90430-06803	1 - 5	90520-15012	19 - 20	93210-19809	5 - 14	95602-06100	30 - 14
	19 - 13		31 - 52		1 - 27	90520-15013	18 - 10		11 - 16	95602-06200	18 - 22
	19 - 17	90201-08066	32 - 24		5 - 9	90560-07007	23 - 4	93210-21802	42 - 4	95602-08200	27 - 12
	19 - 23	90201-08612	9 - 8	90430-10807	42 - 7	90560-10292	25 - 2	93210-26806	35 - 6		31 - 14
	29 - 11	90201-08859	1 - 18	90445-22800	31 - 6	91312-05016	3 - 15	93210-34804	7 - 6	95602-10200	20 - 11
	33 - 6	90201-10118	30 - 3	90446-15386	31 - 11	91312-06014	42 - 10	93210-39803	5 - 11		25 - 9
	33 - 12		32 - 28	90450-43805	8 - 30	91312-06020	8 - 3	93210-54808	7 - 12	95602-14200	27 - 17
	33 - 47	90201-12019	13 - 3	90464-09806	41 - 11	91312-08020	16 - 11	93306-000Y3	5 - 7	95607-06100	40 - 6
	33 - 50		34 - 6	90464-10008	23 - 17	91312-08025	31 - 41	93306-001YL	4 - 6	95612-08635	1 - 6
	33 - 56	90201-14811	31 - 7	90464-16012	20 - 8		31 - 51	93306-004XV	27 - 9	95614-12100	20 - 5
90160-05012	8 - 32	90201-15030	27 - 18	90464-34002	41 - 19	91317-06025	30 - 17	93306-054XF	14 - 2	95702-06500	38 - 7
	29 - 4	90201-15821	2 - 14	90464-36007	41 - 20	91317-06030	29 - 29	93306-203XR	14 - 19		42 - 17
	37 - 4	90201-173F4	14 - 18	90464-36800	41 - 21	91317-08016	32 - 22	93306-252X7	27 - 3	95702-08500	9 - 7
	38 - 3	90201-22793	14 - 16	90464-50800	42 - 15	91317-08020	32 - 21	93306-253YM	2 - 21	95702-12500	34 - 5
	38 - 8	90201-25290	12 - 5	90464-70800	41 - 22	91332-05010	23 - 15		2 - 22	95812-06030	8 - 12
90160-05018	18 - 18	90208-20003	13 - 31	90467-11019	8 - 23	91332-06016	34 - 4	93306-272YC	14 - 20	95812-10020	17 - 4
90163-05803	8 - 21	90209-18208	14 - 10	90467-11825	8 - 28	91332-06025	34 - 3	93306-300YN	25 - 4	95817-10025	17 - 5
90170-08401	29 - 32	90214-10800	2 - 15	90467-12052	8 - 29	91337-06020	40 - 8	93306-355Y8	2 - 6	95D02-06012	17 - 3
90170-10012	2 - 25	90215-10803	2 - 24	90467-12085	32 - 12	91401-20012	32 - 25	93306-906X4	4 - 2		21 - 9
90170-14801	13 - 23	90215-14802	13 - 22	90467-19803	6 - 5	91401-25015	31 - 25	93310-325YC	12 - 4		21 - 11
90179-10805	17 - 7	90240-08005	32 - 23		6 - 22		31 - 32	93310-526YT	2 - 2		21 - 15
90179-25002	21 - 7	90269-06816	19 - 14	90467-20806	6 - 6		31 - 39	93315-112Y9	13 - 28		42 - 27
90183-05061	29 - 8		19 - 18	90467-22802	8 - 25		31 - 49	933A6-202X0	14 - 3	95D32-06014	41 - 27
90183-05807	18 - 9		29 - 6	90480-01803	6 - 15	91401-30030	31 - 4	93410-22039	14 - 11	95D32-06016	42 - 13
	19 - 12		29 - 13	90480-01821	19 - 5		31 - 8		14 - 17	95D32-06020	24 - 14
	19 - 16		33 - 11		19 - 10	91701-08035	31 - 24	93450-15175	2 - 10	95D32-06025	6 - 18
	19 - 21		33 - 16	90480-01870	38 - 11		31 - 31	93501-04823	31 - 38		23 - 2
	29 - 12		33 - 29	90480-13398	33 - 5	91702-08042	31 - 36		31 - 48	95D32-08016	31 - 18
	33 - 8		33 - 42	90480-14023	38 - 5		31 - 46	93505-16844	13 - 27	95D32-08035	9 - 9

NUMERICAL INDEX

PART NO.	REF. NO.	PART NO.	REF. NO.	PART NO.	REF. NO.	PART NO.	REF. NO.	PART NO.	REF. NO.	PART NO.	REF. NO.
95D32-10035	28 - 4	99009-20500	13 - 30								
95E32-06010	1 - 4	99530-08012	1 - 12								
	1 - 26		5 - 10								
	14 - 24										
95E32-06012	7 - 14										
95E32-06014	4 - 11										
95E32-06016	11 - 9										
95E32-06020	6 - 3										
	7 - 10										
95E32-06025	4 - 21										
	5 - 13										
95E32-06030	1 - 11										
95E32-06040	10 - 6										
	11 - 4										
	11 - 13										
95E32-06045	10 - 4										
95E32-06050	11 - 14										
95E32-06055	10 - 3										
95E32-06070	10 - 5										
95E32-06080	7 - 11										
95E32-06090	11 - 18										
97002-06016	41 - 2										
97022-06012	18 - 5										
97602-04312	30 - 18										
97602-05225	31 - 22										
	31 - 29										
97702-30016	37 - 3										
97707-50012	18 - 8										
	19 - 4										
	19 - 9										
	19 - 22										
	29 - 9										
	33 - 28										
	33 - 41										
	39 - 3										
	42 - 22										
97707-50016	33 - 4										
	33 - 21										
	33 - 33										
	33 - 49										
	33 - 55										
	36 - 5										
98502-05016	42 - 5										
98507-06025	32 - 19										
98512-06012	14 - 5										
98907-04016	39 - 7										
99002-10600	16 - 6										
99009-10400	5 - 6										